

**NFRC U-FACTOR, SHGC, VT, &
CONDENSATION RESISTANCE
COMPUTER SIMULATION REPORT**

**Rendered to:
AMERICAN WINDOW ALLIANCE, INC.**

**SERIES/MODEL:
Windgate/Belmont/Hawthorne 2-Lite Slider**

**Report Number: G6290.02-116-45
Report Date: 05/17/17**



NFRC U-FACTOR, SHGC, VT, & CONDENSATION RESISTANCE COMPUTER SIMULATION REPORT

Rendered to:
AMERICAN WINDOW ALLIANCE, INC.
6750 Belt Circle Drive
Bedford Park, Illinois 60638

Report Number: G6290.02-116-45
Simulation Date: 05/17/17
Report Date: 05/17/17

Project Summary:

Architectural Testing, Inc., an Intertek Company (Intertek-ATI) was contracted to perform U-Factor, Solar Heat Gain Coefficient, Visible Transmittance, and Condensation Resistance* computer simulations in accordance with the National Fenestration Rating Council (NFRC). The products were evaluated in full compliance with NFRC requirements to the standards listed

**NFRC's Condensation Resistance rating is NOT equivalent to a Condensation Resistance Factor (CRF) determined in accordance with AAMA 1503.*

Standards:

ANSI/NFRC 100-2014: Procedure for Determining Fenestration Product U-Factors

ANSI/NFRC 200-2014: Procedure for Determining Fenestration Product Solar Heat Gain Coefficient and Visible Transmittance at Normal Incidence

NFRC 500-2014: Procedure for Determining Fenestration Product Condensation Resistance Values

Software:

Frame and Edge Modeling: THERM 7.4.3
Center-of-Glass Modeling: WINDOW 7.4.8
Total Product Calculations: WINDOW 7.4.8
Spectral Data Library: IGDB 53.0

Simulations Specimen Description:

Series/Model: Windgate/Belmont/Hawthorne 2-Lite Slider
Type: Horizontal Slider, Operable/Operable
Frame Material: VY Vinyl
Sash Material: VY Vinyl
Standard Size: 1500mm x 1200mm

Modeling Assumptions/Technical Interpretations:

- 1) To prevent air infiltration, tape was applied to all interior sash crack locations.
- 2) All grids were grouped for simulation purposes according to ANSI/NFRC Section 4.2.4.1.D. The 5.5mm x 18mm Contour was the group leader.
- 3) The 5473, 8127 glazing beads were grouped for simulation purposes according to ANSI/NFRC 100-2014 Section 4.2.1.D. 8127 was the group leader.
- 4) The 141, 142, and 148 frames were grouped for simulation purposes according to ANSI/NFRC 100-2014 Section 4.2.1.xx. The 141 was the group leader (No Foam only). The 142 was the group leader (with Foam only). 094 sash only.

Specialty Products Table:

The specialty products method allow the manufacturer to determine the overall product SHGC and VT for any glazing option. The center of glass SHGC and/or VT must be determined using WINDOW 7.4.8. The method gives overall product SHGC and VT indexed on center of glass properties. All values used in the calculations are truncated to six decimal place precision.

	No Dividers	Dividers < 1	Dividers > 1
SHGC0	0.003613	0.006356	0.008940
SHGC1	0.762291	0.681732	0.605854
VT0	0.000000	0.000000	0.000000
VT1	0.758677	0.675376	0.596914

$$SHGC = SHGC0 + SHGCc (SHGC1 - SHGC0)$$

$$VT = VT0 + VTc (VT1 - VT0)$$

Validation Matrix:

The following products are part of a validation matrix. Only one is required for validation testing.

<i>Product Line</i>	<i>Report Number</i>
None	-

Spacer Option Description

<i>Spacer Type</i>	<i>Sealant</i>		<i>Code</i>
	<i>Primary</i>	<i>Secondary</i>	
Quanex Duralite Spacer	Butyl 761-71X	None	P1-S
Cardinal Endur Spacer	Royal PIB	Silicone	SS-D
Technoform I-Spacer	PIB	Silicone	TS-D

Grid Option Description

<i>Grid Size</i>	<i>Grid Type</i>	<i>Grid Pattern</i>
3/16" x 5/8"	Aluminum Rectangular Grid (Painted)	NFRC Standard
5.9mm x 8mm	Aluminum Pencil Bar(Painted)	NFRC Standard
5.5mm x 18mm	Aluminum Contour Grid (Painted)	NFRC Standard
3/16" x 5/8"	Decralite Applied SDL	---

Reinforcement Option Description

<i>Location</i>	<i>Material</i>
ALU KS - Keeper stile only	Aluminum
ALU KS/LS - Keeper & lock stile only	Aluminum
ALU KS/LS/S - Keeper, lock and stiles only	Aluminum
INN KS - Keeper stile only	Innergy
INN KS/LS - Keeper & lock stile only	Innergy
INN KS/LS/S - Keeper, lock and stiles only	Innergy

Gas Filling Technique Description

<i>Fill Type</i>	<i>Method</i>
90% Argon	Single probe

Edge-of-Glass Construction

<i>Interior Condition</i>	Foam tape between sash leg and glass
<i>Exterior Condition</i>	PVC glazing bead with flexibe vinyl strip against glass

Weatherstripping

<i>Type</i>	<i>Quantity</i>	<i>Location</i>
Finpile	1 row	Frame & sash perimeter

Frame/Sash Materials Finish

<i>Interior</i>	Vinyl
<i>Exterior</i>	Vinyl

NFRC 100/200/500 Summary Sheet
Windgate/Belmont/Hawthorne 2-Lite Slider

ID	Pane Thickness 1	Gap Width 1	Pane Thickness 2	Gap Width 2	Pane Thickness 3	Gap Width 3	Pane Thickness 4	Gap Fill	Low-e (Surface#)	Tint	Spacer	Grid Type
	U-Factor			Solar Heat Gain Coefficient (SHGC) Grids (None / <1 / >=1)				Visible Transmittance (VT) Grids (None / <1 / >=1)			Condensation Resistance	
1	141.094/142.094/148.094 HS / Opt 1 (No Refo, No Foam): clr / air / clr (SS/SS) 3/4" IG											
	0.087	0.563	0.087					AIR		CL	P1-S	N,G,S
	U-Factor 0.45			SHGC (N / <1) 0.61 / 0.54				VT (N / <1) 0.63 / 0.56			CR	46
2	141.094/142.094/148.094 HS / Opt 1 (No Refo, No Foam): clr / air / clr (DS/DS) 3/4" IG											
	0.118	0.500	0.118					AIR		CL	P1-S	N,G,S
	U-Factor 0.45			SHGC (N / <1) 0.59 / 0.53				VT (N / <1) 0.62 / 0.56			CR	45
3	141.094/142.094/148.094 HS / Opt 1 (No Refo, No Foam): clr / air / clr (5mm/DS) 3/4" IG											
	0.185	0.438	0.118					AIR		CL	P1-S	N,G,S
	U-Factor 0.45			SHGC (N / <1) 0.57 / 0.51				VT (N / <1) 0.62 / 0.55			CR	45
4	141.094/142.094/148.094 HS / Opt 1 (No Refo, No Foam): clr / air / clr (5mm/DS) 3/4" IG											
	0.185	0.438	0.118					AIR		CL	P1-S	G
	U-Factor 0.46			SHGC (<1) 0.51				VT (<1) 0.55			CR	45
5	141.094/142.094/148.094 HS / Opt 1 (No Refo, No Foam): lami / air / clr (DS 090 DS/DS) 3/4" IG											
	0.264	0.345	0.118					AIR		CL	P1-S	N,S
	U-Factor 0.47			SHGC (N / <1) 0.55 / 0.49				VT (N / <1) 0.61 / 0.55			CR	44
	141.094/142.094/148.094 HS / Opt 1 (No Refo, No Foam): clr / air / lami (DS/DS 090 DS) 3/4" IG											
	0.118	0.345	0.264					AIR		CL	P1-S	N,S
	U-Factor 0.47			SHGC (N / <1) 0.57 / 0.51				VT (N / <1) 0.61 / 0.55			CR	44
6	141.094/142.094/148.094 HS / Opt 1 (No Refo, No Foam): lami / air / clr (DS 090 DS/DS) 3/4" IG											
	0.264	0.345	0.118					AIR		CL	P1-S	G,S
	U-Factor 0.47			SHGC (<1) 0.49				VT (<1) 0.55			CR	44
	141.094/142.094/148.094 HS / Opt 1 (No Refo, No Foam): clr / air / lami (DS/DS 090 DS) 3/4" IG											
	0.118	0.345	0.264					AIR		CL	P1-S	G,S
	U-Factor 0.47			SHGC (<1) 0.51				VT (<1) 0.55			CR	44
7	141.094/142.094/148.094 HS / Opt 1 (No Refo, No Foam): clr / air / clr / air / clr (SS/SS/SS) 3/4" IG (P1-S)											
	0.087	0.250	0.087	0.250	0.087			AIR		CL	P1-S	N,S
	U-Factor 0.37			SHGC (N / <1) 0.55 / 0.49				VT (N / <1) 0.58 / 0.52			CR	53
8	141.094/142.094/148.094 HS / Opt 1 (No Refo, No Foam): clr / air / clr / air / clr (SS/SS/SS) 3/4" IG (P1-S)											
	0.087	0.250	0.087	0.250	0.087			AIR		CL	P1-S	G,S
	U-Factor 0.38			SHGC (<1) 0.49				VT (<1) 0.52			CR	53

NFRC 100/200/500 Summary Sheet
Windgate/Belmont/Hawthorne 2-Lite Slider

ID	Pane Thickness 1	Gap Width 1	Pane Thickness 2	Gap Width 2	Pane Thickness 3	Gap Width 3	Pane Thickness 4	Gap Fill	Low-e (Surface#)	Tint	Spacer	Grid Type
	U-Factor			Solar Heat Gain Coefficient (SHGC) Grids (None / <1 / >=1)				Visible Transmittance (VT) Grids (None / <1 / >=1)			Condensation Resistance	
9	141.094/142.094/148.094 HS / Opt 1 (No Refo, No Foam): E270 / air / clr (SS/SS) 3/4" IG											
	0.087	0.563	0.087					AIR	0.037(#2)	CL	P1-S	N,G,S
	U-Factor 0.31			SHGC (N / <1) 0.29 / 0.26				VT (N / <1) 0.54 / 0.48			CR 59	
	141.094/142.094/148.094 HS / Opt 1 (No Refo, No Foam): clr / air / E270 (SS/SS) 3/4" IG											
	0.087	0.563	0.087					AIR	0.037(#3)	CL	P1-S	N,G,S
	U-Factor 0.31			SHGC (N / <1) 0.35 / 0.32				VT (N / <1) 0.54 / 0.48			CR 59	
10	141.094/142.094/148.094 HS / Opt 1 (No Refo, No Foam): E270 / arg / clr (SS/SS) 3/4" IG											
	0.087	0.563	0.087					ARG90	0.037(#2)	CL	P1-S	N,G,S
	U-Factor 0.28			SHGC (N / <1) 0.28 / 0.26				VT (N / <1) 0.54 / 0.48			CR 62	
	141.094/142.094/148.094 HS / Opt 1 (No Refo, No Foam): clr / arg / E270 (SS/SS) 3/4" IG											
	0.087	0.563	0.087					ARG90	0.037(#3)	CL	P1-S	N,G,S
	U-Factor 0.28			SHGC (N / <1) 0.36 / 0.32				VT (N / <1) 0.54 / 0.48			CR 62	
11	141.094/142.094/148.094 HS / Opt 1 (No Refo, No Foam): E270 / air / clr (DS/DS) 3/4" IG											
	0.118	0.500	0.118					AIR	0.037(#2)	CL	P1-S	N,G,S
	U-Factor 0.31			SHGC (N / <1) 0.29 / 0.26				VT (N / <1) 0.53 / 0.47			CR 58	
	141.094/142.094/148.094 HS / Opt 1 (No Refo, No Foam): clr / air / E270 (DS/DS) 3/4" IG											
	0.118	0.500	0.118					AIR	0.037(#3)	CL	P1-S	N,G,S
	U-Factor 0.31			SHGC (N / <1) 0.35 / 0.31				VT (N / <1) 0.53 / 0.47			CR 58	
12	141.094/142.094/148.094 HS / Opt 1 (No Refo, No Foam): E270 / arg / clr (DS/DS) 3/4" IG											
	0.118	0.500	0.118					ARG90	0.037(#2)	CL	P1-S	N,G,S
	U-Factor 0.28			SHGC (N / <1) 0.28 / 0.25				VT (N / <1) 0.53 / 0.47			CR 62	
	141.094/142.094/148.094 HS / Opt 1 (No Refo, No Foam): clr / arg / E270 (DS/DS) 3/4" IG											
	0.118	0.500	0.118					ARG90	0.037(#3)	CL	P1-S	N,G,S
	U-Factor 0.28			SHGC (N / <1) 0.35 / 0.32				VT (N / <1) 0.53 / 0.47			CR 62	
13	141.094/142.094/148.094 HS / Opt 1 (No Refo, No Foam): lami / arg / E270 (DS 090 DS/DS) 3/4" IG											
	0.264	0.345	0.118					ARG90	0.037(#3)	CL	P1-S	N,S
	U-Factor 0.30			SHGC (N / <1) 0.33 / 0.30				VT (N / <1) 0.52 / 0.47			CR 59	
	141.094/142.094/148.094 HS / Opt 1 (No Refo, No Foam): E270 / arg / lami (DS/DS 090 DS) 3/4" IG											
	0.118	0.345	0.264					ARG90	0.037(#2)	CL	P1-S	N,S
	U-Factor 0.30			SHGC (N / <1) 0.28 / 0.25				VT (N / <1) 0.52 / 0.47			CR 59	

NFRC 100/200/500 Summary Sheet
Windgate/Belmont/Hawthorne 2-Lite Slider

ID	Pane Thickness 1	Gap Width 1	Pane Thickness 2	Gap Width 2	Pane Thickness 3	Gap Width 3	Pane Thickness 4	Gap Fill	Low-e (Surface#)	Tint	Spacer	Grid Type
	U-Factor			Solar Heat Gain Coefficient (SHGC) Grids (None / <1 / >=1)				Visible Transmittance (VT) Grids (None / <1 / >=1)			Condensation Resistance	
14	141.094/142.094/148.094 HS / Opt 1 (No Refo, No Foam): lami / arg / E270 (DS 090 DS/DS) 3/4" IG											
	0.264	0.345	0.118					ARG90	0.037(#3)	CL	P1-S	G,S
	U-Factor 0.31			SHGC (<1) 0.30				VT (<1) 0.47			CR 59	
	141.094/142.094/148.094 HS / Opt 1 (No Refo, No Foam): E270 / arg / lami (DS/DS 090 DS) 3/4" IG											
	0.118	0.345	0.264					ARG90	0.037(#2)	CL	P1-S	G,S
	U-Factor 0.31			SHGC (<1) 0.25				VT (<1) 0.47			CR 59	
15	141.094/142.094/148.094 HS / Opt 1 (No Refo, No Foam): E270 / arg / clr / arg / E270 (SS/SS/SS) 3/4" IG (P1-S)											
	0.087	0.250	0.087	0.250	0.087			ARG90	0.037(#2) / 0.037(#5)	CL	P1-S	N,S
	U-Factor 0.24			SHGC (N / <1) 0.24 / 0.22				VT (N / <1) 0.42 / 0.37			CR 68	
16	141.094/142.094/148.094 HS / Opt 1 (No Refo, No Foam): E270 / arg / clr / arg / E270 (SS/SS/SS) 3/4" IG (P1-S)											
	0.087	0.250	0.087	0.250	0.087			ARG90	0.037(#2) / 0.037(#5)	CL	P1-S	G,S
	U-Factor 0.25			SHGC (<1) 0.22				VT (<1) 0.37			CR 68	
17	141.094/142.094/148.094 HS / Opt 1 (No Refo, No Foam): E366 / air / clr (SS/SS) 3/4" IG											
	0.087	0.563	0.087					AIR	0.022(#2)	CL	P1-S	N,G,S
	U-Factor 0.31			SHGC (N / <1) 0.21 / 0.19				VT (N / <1) 0.50 / 0.44			CR 59	
	141.094/142.094/148.094 HS / Opt 1 (No Refo, No Foam): clr / air / E366 (SS/SS) 3/4" IG											
	0.087	0.563	0.087					AIR	0.022(#3)	CL	P1-S	N,G,S
	U-Factor 0.31			SHGC (N / <1) 0.30 / 0.27				VT (N / <1) 0.50 / 0.44			CR 59	
18	141.094/142.094/148.094 HS / Opt 1 (No Refo, No Foam): E366 / arg / clr (SS/SS) 3/4" IG											
	0.087	0.563	0.087					ARG90	0.022(#2)	CL	P1-S	N,G,S
	U-Factor 0.27			SHGC (N / <1) 0.21 / 0.19				VT (N / <1) 0.50 / 0.44			CR 63	
	141.094/142.094/148.094 HS / Opt 1 (No Refo, No Foam): clr / arg / E366 (SS/SS) 3/4" IG											
	0.087	0.563	0.087					ARG90	0.022(#3)	CL	P1-S	N,G,S
	U-Factor 0.27			SHGC (N / <1) 0.30 / 0.27				VT (N / <1) 0.50 / 0.44			CR 63	
19	141.094/142.094/148.094 HS / Opt 1 (No Refo, No Foam): E366 / air / clr (DS/DS) 3/4" IG											
	0.117	0.500	0.118					AIR	0.022(#2)	CL	P1-S	N,G,S
	U-Factor 0.31			SHGC (N / <1) 0.21 / 0.19				VT (N / <1) 0.49 / 0.44			CR 58	
	141.094/142.094/148.094 HS / Opt 1 (No Refo, No Foam): clr / air / E366 (DS/DS) 3/4" IG											
	0.118	0.500	0.117					AIR	0.022(#3)	CL	P1-S	N,G,S
	U-Factor 0.31			SHGC (N / <1) 0.29 / 0.27				VT (N / <1) 0.49 / 0.44			CR 58	

NFRC 100/200/500 Summary Sheet
Windgate/Belmont/Hawthorne 2-Lite Slider

ID	Pane Thickness 1	Gap Width 1	Pane Thickness 2	Gap Width 2	Pane Thickness 3	Gap Width 3	Pane Thickness 4	Gap Fill	Low-e (Surface#)	Tint	Spacer	Grid Type
	U-Factor			Solar Heat Gain Coefficient (SHGC) Grids (None / <1 / >=1)				Visible Transmittance (VT) Grids (None / <1 / >=1)			Condensation Resistance	
20	141.094/142.094/148.094 HS / Opt 1 (No Refo, No Foam): E366 / arg / clr (DS/DS) 3/4" IG											
	0.117	0.500	0.118					ARG90	0.022(#2)	CL	P1-S	N,G,S
	U-Factor 0.27			SHGC (N / <1) 0.21 / 0.19				VT (N / <1) 0.49 / 0.44			CR 62	
	141.094/142.094/148.094 HS / Opt 1 (No Refo, No Foam): clr / arg / E366 (DS/DS) 3/4" IG											
	0.118	0.500	0.117					ARG90	0.022(#3)	CL	P1-S	N,G,S
	U-Factor 0.27			SHGC (N / <1) 0.30 / 0.27				VT (N / <1) 0.49 / 0.44			CR 62	
21	141.094/142.094/148.094 HS / Opt 1 (No Refo, No Foam): lami / arg / E366 (DS 090 DS/DS) 3/4" IG											
	0.264	0.345	0.117					ARG90	0.022(#3)	CL	P1-S	N,S
	U-Factor 0.29			SHGC (N / <1) 0.29 / 0.26				VT (N / <1) 0.48 / 0.43			CR 60	
	141.094/142.094/148.094 HS / Opt 1 (No Refo, No Foam): E366 / arg / lami (DS/DS 090 DS) 3/4" IG											
	0.117	0.345	0.264					ARG90	0.022(#2)	CL	P1-S	N,S
	U-Factor 0.29			SHGC (N / <1) 0.21 / 0.19				VT (N / <1) 0.48 / 0.43			CR 60	
22	141.094/142.094/148.094 HS / Opt 1 (No Refo, No Foam): lami / arg / E366 (DS 090 DS/DS) 3/4" IG											
	0.264	0.345	0.117					ARG90	0.022(#3)	CL	P1-S	G,S
	U-Factor 0.31			SHGC (<1) 0.26				VT (<1) 0.43			CR 60	
	141.094/142.094/148.094 HS / Opt 1 (No Refo, No Foam): E366 / arg / lami (DS/DS 090 DS) 3/4" IG											
	0.117	0.345	0.264					ARG90	0.022(#2)	CL	P1-S	G,S
	U-Factor 0.31			SHGC (<1) 0.19				VT (<1) 0.43			CR 60	
23	141.094/142.094/148.094 HS / Opt 1 (No Refo, No Foam): E366 / arg / clr / arg / E366 (SS/SS/SS) 3/4" IG (P1-S)											
	0.087	0.250	0.087	0.250	0.087			ARG90	0.022(#2) / 0.022(#5)	CL	P1-S	N,S
	U-Factor 0.24			SHGC (N / <1) 0.19 / 0.17				VT (N / <1) 0.36 / 0.32			CR 68	
24	141.094/142.094/148.094 HS / Opt 1 (No Refo, No Foam): E366 / arg / clr / arg / E366 (SS/SS/SS) 3/4" IG (P1-S)											
	0.087	0.250	0.087	0.250	0.087			ARG90	0.022(#2) / 0.022(#5)	CL	P1-S	G,S
	U-Factor 0.24			SHGC (<1) 0.17				VT (<1) 0.32			CR 68	
25	141.094/142.094/148.094 HS / Opt 1 (No Refo, No Foam): 70/36 / air / clr (SS/SS) 3/4" IG											
	0.090	0.563	0.090					AIR	0.036(#2)	CL	P1-S	N,G,S
	U-Factor 0.31			SHGC (N / <1) 0.30 / 0.27				VT (N / <1) 0.54 / 0.48			CR 59	
	141.094/142.094/148.094 HS / Opt 1 (No Refo, No Foam): clr / air / 70/36 (SS/SS) 3/4" IG											
	0.090	0.563	0.090					AIR	0.036(#3)	CL	P1-S	N,G,S
	U-Factor 0.31			SHGC (N / <1) 0.37 / 0.33				VT (N / <1) 0.54 / 0.48			CR 59	

NFRC 100/200/500 Summary Sheet
Windgate/Belmont/Hawthorne 2-Lite Slider

ID	Pane Thickness 1	Gap Width 1	Pane Thickness 2	Gap Width 2	Pane Thickness 3	Gap Width 3	Pane Thickness 4	Gap Fill	Low-e (Surface#)	Tint	Spacer	Grid Type
	U-Factor			Solar Heat Gain Coefficient (SHGC) Grids (None / <1 / >=1)				Visible Transmittance (VT) Grids (None / <1 / >=1)			Condensation Resistance	
26	141.094/142.094/148.094 HS / Opt 1 (No Refo, No Foam): 70/36 / arg / clr (SS/SS) 3/4" IG											
	0.090	0.563	0.090					ARG90	0.036(#2)	CL	P1-S	N,G,S
	U-Factor 0.28			SHGC (N / <1) 0.30 / 0.27				VT (N / <1) 0.54 / 0.48			CR	62
	141.094/142.094/148.094 HS / Opt 1 (No Refo, No Foam): clr / arg / 70/36 (SS/SS) 3/4" IG											
	0.090	0.563	0.090					ARG90	0.036(#3)	CL	P1-S	N,G,S
	U-Factor 0.28			SHGC (N / <1) 0.38 / 0.34				VT (N / <1) 0.54 / 0.48			CR	62
27	141.094/142.094/148.094 HS / Opt 1 (No Refo, No Foam): 70/36 / air / clr (DS/DS) 3/4" IG											
	0.117	0.500	0.117					AIR	0.036(#2)	CL	P1-S	N,G,S
	U-Factor 0.31			SHGC (N / <1) 0.30 / 0.27				VT (N / <1) 0.53 / 0.47			CR	58
	141.094/142.094/148.094 HS / Opt 1 (No Refo, No Foam): clr / air / 70/36 (DS/DS) 3/4" IG											
	0.117	0.500	0.117					AIR	0.036(#3)	CL	P1-S	N,G,S
	U-Factor 0.31			SHGC (N / <1) 0.37 / 0.33				VT (N / <1) 0.53 / 0.47			CR	58
28	141.094/142.094/148.094 HS / Opt 1 (No Refo, No Foam): 70/36 / arg / clr (DS/DS) 3/4" IG											
	0.117	0.500	0.117					ARG90	0.036(#2)	CL	P1-S	N,G,S
	U-Factor 0.28			SHGC (N / <1) 0.29 / 0.27				VT (N / <1) 0.53 / 0.47			CR	62
	141.094/142.094/148.094 HS / Opt 1 (No Refo, No Foam): clr / arg / 70/36 (DS/DS) 3/4" IG											
	0.117	0.500	0.117					ARG90	0.036(#3)	CL	P1-S	N,G,S
	U-Factor 0.28			SHGC (N / <1) 0.37 / 0.33				VT (N / <1) 0.53 / 0.47			CR	62
29	141.094/142.094/148.094 HS / Opt 1 (No Refo, No Foam): lami / arg / 70/36 (DS 090 DS/DS) 3/4" IG											
	0.264	0.345	0.117					ARG90	0.036(#3)	CL	P1-S	N,S
	U-Factor 0.30			SHGC (N / <1) 0.35 / 0.32				VT (N / <1) 0.52 / 0.47			CR	59
	141.094/142.094/148.094 HS / Opt 1 (No Refo, No Foam): 70/36 / arg / lami (DS/DS 090 DS) 3/4" IG											
	0.117	0.345	0.264					ARG90	0.036(#2)	CL	P1-S	N,S
	U-Factor 0.30			SHGC (N / <1) 0.29 / 0.26				VT (N / <1) 0.52 / 0.47			CR	59
30	141.094/142.094/148.094 HS / Opt 1 (No Refo, No Foam): lami / arg / 70/36 (DS 090 DS/DS) 3/4" IG											
	0.264	0.345	0.117					ARG90	0.036(#3)	CL	P1-S	G,S
	U-Factor 0.31			SHGC (<1) 0.32				VT (<1) 0.47			CR	59
	141.094/142.094/148.094 HS / Opt 1 (No Refo, No Foam): 70/36 / arg / lami (DS/DS 090 DS) 3/4" IG											
	0.117	0.345	0.264					ARG90	0.036(#2)	CL	P1-S	G,S
	U-Factor 0.31			SHGC (<1) 0.26				VT (<1) 0.47			CR	59

**NFRC 100/200/500 Summary Sheet
Windgate/Belmont/Hawthorne 2-Lite Slider**

ID	Pane Thickness 1	Gap Width 1	Pane Thickness 2	Gap Width 2	Pane Thickness 3	Gap Width 3	Pane Thickness 4	Gap Fill	Low-e (Surface#)	Tint	Spacer	Grid Type
	U-Factor			Solar Heat Gain Coefficient (SHGC) Grids (None / <1 / >=1)				Visible Transmittance (VT) Grids (None / <1 / >=1)			Condensation Resistance	
31	141.094/142.094/148.094 HS / Opt 1 (No Refo, No Foam): 70/36 / arg / clr / arg / 70/36 (SS/SS/SS) 3/4" IG											
	0.090	0.250	0.090	0.250	0.090			ARG90	0.036(#2) / 0.036(#5)	CL	P1-S	N,S
	U-Factor 0.24			SHGC (N / <1) 0.26 / 0.23				VT (N / <1) 0.42 / 0.37			CR 68	
32	141.094/142.094/148.094 HS / Opt 1 (No Refo, No Foam): 70/36 / arg / clr / arg / 70/36 (SS/SS/SS) 3/4" IG											
	0.090	0.250	0.090	0.250	0.090			ARG90	0.036(#2) / 0.036(#5)	CL	P1-S	G,S
	U-Factor 0.25			SHGC (<1) 0.23				VT (<1) 0.37			CR 68	
33	141.094/142.094/148.094 HS / Opt 1 (No Refo, No Foam): 80/70 / air / clr (SS/SS) 3/4" IG											
	0.090	0.563	0.090					AIR	0.095(#2)	CL	P1-S	N,G,S
	U-Factor 0.33			SHGC (N / <1) 0.51 / 0.46				VT (N / <1) 0.62 / 0.55			CR 57	
	141.094/142.094/148.094 HS / Opt 1 (No Refo, No Foam): clr / air / 80/70 (SS/SS) 3/4" IG											
	0.090	0.563	0.090					AIR	0.095(#3)	CL	P1-S	N,G,S
	U-Factor 0.33			SHGC (N / <1) 0.54 / 0.49				VT (N / <1) 0.62 / 0.55			CR 57	
34	141.094/142.094/148.094 HS / Opt 1 (No Refo, No Foam): 80/70 / arg / clr (SS/SS) 3/4" IG											
	0.090	0.563	0.090					ARG90	0.095(#2)	CL	P1-S	N,G,S
	U-Factor 0.29			SHGC (N / <1) 0.51 / 0.46				VT (N / <1) 0.62 / 0.55			CR 61	
	141.094/142.094/148.094 HS / Opt 1 (No Refo, No Foam): clr / arg / 80/70 (SS/SS) 3/4" IG											
	0.090	0.563	0.090					ARG90	0.095(#3)	CL	P1-S	N,G,S
	U-Factor 0.29			SHGC (N / <1) 0.54 / 0.49				VT (N / <1) 0.62 / 0.55			CR 61	
35	141.094/142.094/148.094 HS / Opt 1 (No Refo, No Foam): 80/70 / air / clr (DS/DS) 3/4" IG											
	0.117	0.500	0.117					AIR	0.095(#2)	CL	P1-S	N,G,S
	U-Factor 0.33			SHGC (N / <1) 0.51 / 0.45				VT (N / <1) 0.61 / 0.55			CR 56	
	141.094/142.094/148.094 HS / Opt 1 (No Refo, No Foam): clr / air / 80/70 (DS/DS) 3/4" IG											
	0.117	0.500	0.117					AIR	0.095(#3)	CL	P1-S	N,G,S
	U-Factor 0.33			SHGC (N / <1) 0.53 / 0.48				VT (N / <1) 0.61 / 0.55			CR 56	
36	141.094/142.094/148.094 HS / Opt 1 (No Refo, No Foam): 80/70 / arg / clr (DS/DS) 3/4" IG											
	0.117	0.500	0.117					ARG90	0.095(#2)	CL	P1-S	N,G,S
	U-Factor 0.29			SHGC (N / <1) 0.51 / 0.45				VT (N / <1) 0.61 / 0.55			CR 60	
	141.094/142.094/148.094 HS / Opt 1 (No Refo, No Foam): clr / arg / 80/70 (DS/DS) 3/4" IG											
	0.117	0.500	0.117					ARG90	0.095(#3)	CL	P1-S	N,G,S
	U-Factor 0.29			SHGC (N / <1) 0.54 / 0.48				VT (N / <1) 0.61 / 0.55			CR 60	

**NFRC 100/200/500 Summary Sheet
Windgate/Belmont/Hawthorne 2-Lite Slider**

ID	Pane Thickness 1	Gap Width 1	Pane Thickness 2	Gap Width 2	Pane Thickness 3	Gap Width 3	Pane Thickness 4	Gap Fill	Low-e (Surface#)	Tint	Spacer	Grid Type
	U-Factor			Solar Heat Gain Coefficient (SHGC) Grids (None / <1 / >=1)				Visible Transmittance (VT) Grids (None / <1 / >=1)			Condensation Resistance	
37	141.094/142.094/148.094 HS / Opt 1 (No Refo, No Foam): lami / arg / 80/70 (DS 090 DS/DS) 3/4" IG											
	0.264	0.345	0.117					ARG90	0.095(#3)	CL	P1-S	N,S
	U-Factor 0.31			SHGC (N / <1) 0.49 / 0.44				VT (N / <1) 0.60 / 0.54			CR 58	
	141.094/142.094/148.094 HS / Opt 1 (No Refo, No Foam): 80/70 / arg / lami (DS/DS 090 DS) 3/4" IG											
	0.117	0.345	0.264					ARG90	0.095(#2)	CL	P1-S	N,S
	U-Factor 0.31			SHGC (N / <1) 0.50 / 0.45				VT (N / <1) 0.60 / 0.54			CR 58	
38	141.094/142.094/148.094 HS / Opt 1 (No Refo, No Foam): lami / arg / 80/70 (DS 090 DS/DS) 3/4" IG											
	0.264	0.345	0.117					ARG90	0.095(#3)	CL	P1-S	G,S
	U-Factor 0.32			SHGC (<1) 0.44				VT (<1) 0.54			CR 58	
	141.094/142.094/148.094 HS / Opt 1 (No Refo, No Foam): 80/70 / arg / lami (DS/DS 090 DS) 3/4" IG											
	0.117	0.345	0.264					ARG90	0.095(#2)	CL	P1-S	G,S
	U-Factor 0.32			SHGC (<1) 0.45				VT (<1) 0.54			CR 58	
39	141.094/142.094/148.094 HS / Opt 1 (No Refo, No Foam): 80/70 / arg / clr / arg / 80/70 (SS/SS/SS) 3/4" IG											
	0.090	0.250	0.090	0.250	0.090			ARG90	0.095(#2) / 0.095(#5)	CL	P1-S	N,S
	U-Factor 0.25			SHGC (N / <1) 0.45 / 0.41				VT (N / <1) 0.56 / 0.50			CR 66	
40	141.094/142.094/148.094 HS / Opt 1 (No Refo, No Foam): 80/70 / arg / clr / arg / 80/70 (SS/SS/SS) 3/4" IG											
	0.090	0.250	0.090	0.250	0.090			ARG90	0.095(#2) / 0.095(#5)	CL	P1-S	G,S
	U-Factor 0.26			SHGC (<1) 0.41				VT (<1) 0.50			CR 66	
41	141.094/142.094/148.094 HS / Opt 1 (No Refo, No Foam): clr / air / clr (SS/SS) 3/4" IG											
	0.087	0.563	0.087					AIR		CL	SS-D	N,G,S
	U-Factor 0.46			SHGC (N / <1) 0.61 / 0.54				VT (N / <1) 0.63 / 0.56			CR 44	
42	141.094/142.094/148.094 HS / Opt 1 (No Refo, No Foam): clr / air / clr (DS/DS) 3/4" IG											
	0.118	0.500	0.118					AIR		CL	SS-D	N,G,S
	U-Factor 0.45			SHGC (N / <1) 0.59 / 0.53				VT (N / <1) 0.62 / 0.56			CR 44	
43	141.094/142.094/148.094 HS / Opt 1 (No Refo, No Foam): clr / air / clr (5mm/DS) 3/4" IG											
	0.185	0.438	0.118					AIR		CL	SS-D	N,G,S
	U-Factor 0.46			SHGC (N / <1) 0.57 / 0.51				VT (N / <1) 0.62 / 0.55			CR 43	
44	141.094/142.094/148.094 HS / Opt 1 (No Refo, No Foam): clr / air / clr (5mm/DS) 3/4" IG											
	0.185	0.438	0.118					AIR		CL	SS-D	G
	U-Factor 0.46			SHGC (<1) 0.51				VT (<1) 0.55			CR 43	

NFRC 100/200/500 Summary Sheet
Windgate/Belmont/Hawthorne 2-Lite Slider

ID	Pane Thickness 1	Gap Width 1	Pane Thickness 2	Gap Width 2	Pane Thickness 3	Gap Width 3	Pane Thickness 4	Gap Fill	Low-e (Surface#)	Tint	Spacer	Grid Type
	U-Factor			Solar Heat Gain Coefficient (SHGC) Grids (None / <1 / >=1)				Visible Transmittance (VT) Grids (None / <1 / >=1)			Condensation Resistance	
45	141.094/142.094/148.094 HS / Opt 1 (No Refo, No Foam): lami / air / clr (DS 090 DS/DS) 3/4" IG											
	0.264	0.345	0.118					AIR		CL	SS-D	N,S
	U-Factor 0.47			SHGC (N / <1) 0.55 / 0.49				VT (N / <1) 0.61 / 0.55			CR 42	
	141.094/142.094/148.094 HS / Opt 1 (No Refo, No Foam): clr / air / lami (DS/DS 090 DS) 3/4" IG											
	0.118	0.345	0.264					AIR		CL	SS-D	N,S
	U-Factor 0.47			SHGC (N / <1) 0.57 / 0.51				VT (N / <1) 0.61 / 0.55			CR 42	
46	141.094/142.094/148.094 HS / Opt 1 (No Refo, No Foam): lami / air / clr (DS 090 DS/DS) 3/4" IG											
	0.264	0.345	0.118					AIR		CL	SS-D	G,S
	U-Factor 0.48			SHGC (<1) 0.49				VT (<1) 0.55			CR 42	
	141.094/142.094/148.094 HS / Opt 1 (No Refo, No Foam): clr / air / lami (DS/DS 090 DS) 3/4" IG											
	0.118	0.345	0.264					AIR		CL	SS-D	G,S
	U-Factor 0.48			SHGC (<1) 0.51				VT (<1) 0.55			CR 42	
47	141.094/142.094/148.094 HS / Opt 1 (No Refo, No Foam): clr / air / clr / air / clr (SS/SS/SS) 3/4" IG (P1-S)											
	0.087	0.250	0.087	0.250	0.087			AIR		CL	SS-D	N,S
	U-Factor 0.38			SHGC (N / <1) 0.55 / 0.49				VT (N / <1) 0.58 / 0.52			CR 52	
48	141.094/142.094/148.094 HS / Opt 1 (No Refo, No Foam): clr / air / clr / air / clr (SS/SS/SS) 3/4" IG (P1-S)											
	0.087	0.250	0.087	0.250	0.087			AIR		CL	SS-D	G,S
	U-Factor 0.39			SHGC (<1) 0.49				VT (<1) 0.52			CR 52	
49	141.094/142.094/148.094 HS / Opt 1 (No Refo, No Foam): E270 / air / clr (SS/SS) 3/4" IG											
	0.087	0.563	0.087					AIR	0.037(#2)	CL	SS-D	N,G,S
	U-Factor 0.32			SHGC (N / <1) 0.29 / 0.26				VT (N / <1) 0.54 / 0.48			CR 56	
	141.094/142.094/148.094 HS / Opt 1 (No Refo, No Foam): clr / air / E270 (SS/SS) 3/4" IG											
	0.087	0.563	0.087					AIR	0.037(#3)	CL	SS-D	N,G,S
	U-Factor 0.32			SHGC (N / <1) 0.35 / 0.32				VT (N / <1) 0.54 / 0.48			CR 56	
50	141.094/142.094/148.094 HS / Opt 1 (No Refo, No Foam): E270 / arg / clr (SS/SS) 3/4" IG											
	0.087	0.563	0.087					ARG90	0.037(#2)	CL	SS-D	N,G,S
	U-Factor 0.29			SHGC (N / <1) 0.28 / 0.26				VT (N / <1) 0.54 / 0.48			CR 59	
	141.094/142.094/148.094 HS / Opt 1 (No Refo, No Foam): clr / arg / E270 (SS/SS) 3/4" IG											
	0.087	0.563	0.087					ARG90	0.037(#3)	CL	SS-D	N,G,S
	U-Factor 0.29			SHGC (N / <1) 0.36 / 0.32				VT (N / <1) 0.54 / 0.48			CR 59	

NFRC 100/200/500 Summary Sheet
Windgate/Belmont/Hawthorne 2-Lite Slider

ID	Pane Thickness 1	Gap Width 1	Pane Thickness 2	Gap Width 2	Pane Thickness 3	Gap Width 3	Pane Thickness 4	Gap Fill	Low-e (Surface#)	Tint	Spacer	Grid Type
	U-Factor			Solar Heat Gain Coefficient (SHGC) Grids (None / <1 / >=1)				Visible Transmittance (VT) Grids (None / <1 / >=1)			Condensation Resistance	
51	141.094/142.094/148.094 HS / Opt 1 (No Refo, No Foam): E270 / air / clr (DS/DS) 3/4" IG											
	0.118	0.500	0.118					AIR	0.037(#2)	CL	SS-D	N,G,S
	U-Factor 0.32			SHGC (N / <1) 0.29 / 0.26				VT (N / <1) 0.53 / 0.47			CR 55	
	141.094/142.094/148.094 HS / Opt 1 (No Refo, No Foam): clr / air / E270 (DS/DS) 3/4" IG											
	0.118	0.500	0.118					AIR	0.037(#3)	CL	SS-D	N,G,S
	U-Factor 0.32			SHGC (N / <1) 0.35 / 0.31				VT (N / <1) 0.53 / 0.47			CR 55	
52	141.094/142.094/148.094 HS / Opt 1 (No Refo, No Foam): E270 / arg / clr (DS/DS) 3/4" IG											
	0.118	0.500	0.118					ARG90	0.037(#2)	CL	SS-D	N,G,S
	U-Factor 0.28			SHGC (N / <1) 0.28 / 0.25				VT (N / <1) 0.53 / 0.47			CR 58	
	141.094/142.094/148.094 HS / Opt 1 (No Refo, No Foam): clr / arg / E270 (DS/DS) 3/4" IG											
	0.118	0.500	0.118					ARG90	0.037(#3)	CL	SS-D	N,G,S
	U-Factor 0.28			SHGC (N / <1) 0.35 / 0.32				VT (N / <1) 0.53 / 0.47			CR 58	
53	141.094/142.094/148.094 HS / Opt 1 (No Refo, No Foam): lami / arg / E270 (DS 090 DS/DS) 3/4" IG											
	0.264	0.345	0.118					ARG90	0.037(#3)	CL	SS-D	N,S
	U-Factor 0.30			SHGC (N / <1) 0.33 / 0.30				VT (N / <1) 0.52 / 0.47			CR 56	
	141.094/142.094/148.094 HS / Opt 1 (No Refo, No Foam): E270 / arg / lami (DS/DS 090 DS) 3/4" IG											
	0.118	0.345	0.264					ARG90	0.037(#2)	CL	SS-D	N,S
	U-Factor 0.30			SHGC (N / <1) 0.28 / 0.25				VT (N / <1) 0.52 / 0.47			CR 56	
54	141.094/142.094/148.094 HS / Opt 1 (No Refo, No Foam): lami / arg / E270 (DS 090 DS/DS) 3/4" IG											
	0.264	0.345	0.118					ARG90	0.037(#3)	CL	SS-D	G,S
	U-Factor 0.32			SHGC (<1) 0.30				VT (<1) 0.47			CR 56	
	141.094/142.094/148.094 HS / Opt 1 (No Refo, No Foam): E270 / arg / lami (DS/DS 090 DS) 3/4" IG											
	0.118	0.345	0.264					ARG90	0.037(#2)	CL	SS-D	G,S
	U-Factor 0.32			SHGC (<1) 0.25				VT (<1) 0.47			CR 56	
55	141.094/142.094/148.094 HS / Opt 1 (No Refo, No Foam): E270 / arg / clr / arg / E270 (SS/SS/SS) 3/4" IG (SS-D)											
	0.087	0.266	0.087	0.266	0.087			ARG90	0.037(#2) / 0.037(#5)	CL	SS-D	N,S
	U-Factor 0.24			SHGC (N / <1) 0.24 / 0.22				VT (N / <1) 0.42 / 0.37			CR 65	
56	141.094/142.094/148.094 HS / Opt 1 (No Refo, No Foam): E270 / arg / clr / arg / E270 (SS/SS/SS) 3/4" IG (SS-D)											
	0.087	0.266	0.087	0.266	0.087			ARG90	0.037(#2) / 0.037(#5)	CL	SS-D	G,S
	U-Factor 0.25			SHGC (<1) 0.22				VT (<1) 0.37			CR 65	

NFRC 100/200/500 Summary Sheet
Windgate/Belmont/Hawthorne 2-Lite Slider

ID	Pane Thickness 1	Gap Width 1	Pane Thickness 2	Gap Width 2	Pane Thickness 3	Gap Width 3	Pane Thickness 4	Gap Fill	Low-e (Surface#)	Tint	Spacer	Grid Type
	U-Factor			Solar Heat Gain Coefficient (SHGC) Grids (None / <1 / >=1)				Visible Transmittance (VT) Grids (None / <1 / >=1)			Condensation Resistance	
57	141.094/142.094/148.094 HS / Opt 1 (No Refo, No Foam): E366 / air / clr (SS/SS) 3/4" IG											
	0.087	0.563	0.087					AIR	0.022(#2)	CL	SS-D	N,G,S
	U-Factor 0.32			SHGC (N / <1) 0.21 / 0.19				VT (N / <1) 0.50 / 0.44			CR 56	
	141.094/142.094/148.094 HS / Opt 1 (No Refo, No Foam): clr / air / E366 (SS/SS) 3/4" IG											
	0.087	0.563	0.087					AIR	0.022(#3)	CL	SS-D	N,G,S
	U-Factor 0.32			SHGC (N / <1) 0.30 / 0.27				VT (N / <1) 0.50 / 0.44			CR 56	
58	141.094/142.094/148.094 HS / Opt 1 (No Refo, No Foam): E366 / arg / clr (SS/SS) 3/4" IG											
	0.087	0.563	0.087					ARG90	0.022(#2)	CL	SS-D	N,G,S
	U-Factor 0.28			SHGC (N / <1) 0.21 / 0.19				VT (N / <1) 0.50 / 0.44			CR 59	
	141.094/142.094/148.094 HS / Opt 1 (No Refo, No Foam): clr / arg / E366 (SS/SS) 3/4" IG											
	0.087	0.563	0.087					ARG90	0.022(#3)	CL	SS-D	N,G,S
	U-Factor 0.28			SHGC (N / <1) 0.30 / 0.27				VT (N / <1) 0.50 / 0.44			CR 59	
59	141.094/142.094/148.094 HS / Opt 1 (No Refo, No Foam): E366 / air / clr (DS/DS) 3/4" IG											
	0.117	0.500	0.118					AIR	0.022(#2)	CL	SS-D	N,G,S
	U-Factor 0.32			SHGC (N / <1) 0.21 / 0.19				VT (N / <1) 0.49 / 0.44			CR 55	
	141.094/142.094/148.094 HS / Opt 1 (No Refo, No Foam): clr / air / E366 (DS/DS) 3/4" IG											
	0.118	0.500	0.117					AIR	0.022(#3)	CL	SS-D	N,G,S
	U-Factor 0.32			SHGC (N / <1) 0.29 / 0.27				VT (N / <1) 0.49 / 0.44			CR 55	
60	141.094/142.094/148.094 HS / Opt 1 (No Refo, No Foam): E366 / arg / clr (DS/DS) 3/4" IG											
	0.117	0.500	0.118					ARG90	0.022(#2)	CL	SS-D	N,G,S
	U-Factor 0.28			SHGC (N / <1) 0.21 / 0.19				VT (N / <1) 0.49 / 0.44			CR 59	
	141.094/142.094/148.094 HS / Opt 1 (No Refo, No Foam): clr / arg / E366 (DS/DS) 3/4" IG											
	0.118	0.500	0.117					ARG90	0.022(#3)	CL	SS-D	N,G,S
	U-Factor 0.28			SHGC (N / <1) 0.30 / 0.27				VT (N / <1) 0.49 / 0.44			CR 59	
61	141.094/142.094/148.094 HS / Opt 1 (No Refo, No Foam): lami / arg / E366 (DS 090 DS/DS) 3/4" IG											
	0.264	0.345	0.117					ARG90	0.022(#3)	CL	SS-D	N,S
	U-Factor 0.30			SHGC (N / <1) 0.29 / 0.26				VT (N / <1) 0.48 / 0.43			CR 56	
	141.094/142.094/148.094 HS / Opt 1 (No Refo, No Foam): E366 / arg / lami (DS/DS 090 DS) 3/4" IG											
	0.117	0.345	0.264					ARG90	0.022(#2)	CL	SS-D	N,S
	U-Factor 0.30			SHGC (N / <1) 0.21 / 0.19				VT (N / <1) 0.48 / 0.43			CR 56	

NFRC 100/200/500 Summary Sheet
Windgate/Belmont/Hawthorne 2-Lite Slider

ID	Pane Thickness 1	Gap Width 1	Pane Thickness 2	Gap Width 2	Pane Thickness 3	Gap Width 3	Pane Thickness 4	Gap Fill	Low-e (Surface#)	Tint	Spacer	Grid Type
	U-Factor			Solar Heat Gain Coefficient (SHGC) Grids (None / <1 / >=1)				Visible Transmittance (VT) Grids (None / <1 / >=1)			Condensation Resistance	
62	141.094/142.094/148.094 HS / Opt 1 (No Refo, No Foam): lami / arg / E366 (DS 090 DS/DS) 3/4" IG											
	0.264	0.345	0.117					ARG90	0.022(#3)	CL	SS-D	G,S
	U-Factor 0.31			SHGC (<1) 0.26				VT (<1) 0.43			CR 56	
	141.094/142.094/148.094 HS / Opt 1 (No Refo, No Foam): E366 / arg / lami (DS/DS 090 DS) 3/4" IG											
	0.117	0.345	0.264					ARG90	0.022(#2)	CL	SS-D	G,S
	U-Factor 0.31			SHGC (<1) 0.19				VT (<1) 0.43			CR 56	
63	141.094/142.094/148.094 HS / Opt 1 (No Refo, No Foam): E366 / arg / clr / arg / E366 (SS/SS/SS) 3/4" IG (SS-D)											
	0.087	0.266	0.087	0.266	0.087			ARG90	0.022(#2) / 0.022(#5)	CL	SS-D	N,S
	U-Factor 0.24			SHGC (N / <1) 0.19 / 0.17				VT (N / <1) 0.36 / 0.32			CR 66	
64	141.094/142.094/148.094 HS / Opt 1 (No Refo, No Foam): E366 / arg / clr / arg / E366 (SS/SS/SS) 3/4" IG (SS-D)											
	0.087	0.266	0.087	0.266	0.087			ARG90	0.022(#2) / 0.022(#5)	CL	SS-D	G,S
	U-Factor 0.25			SHGC (<1) 0.17				VT (<1) 0.32			CR 66	
65	141.094/142.094/148.094 HS / Opt 1 (No Refo, No Foam): clr / air / clr (SS/SS) 3/4" IG											
	0.087	0.563	0.087					AIR		CL	TS-D	N,G,S
	U-Factor 0.46			SHGC (N / <1) 0.61 / 0.54				VT (N / <1) 0.63 / 0.56			CR 44	
66	141.094/142.094/148.094 HS / Opt 1 (No Refo, No Foam): clr / air / clr (DS/DS) 3/4" IG											
	0.118	0.500	0.118					AIR		CL	TS-D	N,G,S
	U-Factor 0.46			SHGC (N / <1) 0.59 / 0.53				VT (N / <1) 0.62 / 0.56			CR 43	
67	141.094/142.094/148.094 HS / Opt 1 (No Refo, No Foam): clr / air / clr (5mm/DS) 3/4" IG											
	0.185	0.438	0.118					AIR		CL	TS-D	N,G,S
	U-Factor 0.46			SHGC (N / <1) 0.57 / 0.51				VT (N / <1) 0.62 / 0.55			CR 43	
68	141.094/142.094/148.094 HS / Opt 1 (No Refo, No Foam): clr / air / clr (5mm/DS) 3/4" IG											
	0.185	0.438	0.118					AIR		CL	TS-D	G
	U-Factor 0.47			SHGC (<1) 0.51				VT (<1) 0.55			CR 43	
69	141.094/142.094/148.094 HS / Opt 1 (No Refo, No Foam): lami / air / clr (DS 090 DS/DS) 3/4" IG											
	0.264	0.345	0.118					AIR		CL	TS-D	N,S
	U-Factor 0.47			SHGC (N / <1) 0.55 / 0.49				VT (N / <1) 0.61 / 0.55			CR 42	
	141.094/142.094/148.094 HS / Opt 1 (No Refo, No Foam): clr / air / lami (DS/DS 090 DS) 3/4" IG											
	0.118	0.345	0.264					AIR		CL	TS-D	N,S
	U-Factor 0.47			SHGC (N / <1) 0.57 / 0.51				VT (N / <1) 0.61 / 0.55			CR 42	

NFRC 100/200/500 Summary Sheet
Windgate/Belmont/Hawthorne 2-Lite Slider

ID	Pane Thickness 1	Gap Width 1	Pane Thickness 2	Gap Width 2	Pane Thickness 3	Gap Width 3	Pane Thickness 4	Gap Fill	Low-e (Surface#)	Tint	Spacer	Grid Type
	U-Factor			Solar Heat Gain Coefficient (SHGC) Grids (None / <1 / >=1)				Visible Transmittance (VT) Grids (None / <1 / >=1)			Condensation Resistance	
70	141.094/142.094/148.094 HS / Opt 1 (No Refo, No Foam): lami / air / clr (DS 090 DS/DS) 3/4" IG											
	0.264	0.345	0.118					AIR		CL	TS-D	G,S
	U-Factor 0.48			SHGC (<1) 0.49				VT (<1) 0.55			CR 42	
	141.094/142.094/148.094 HS / Opt 1 (No Refo, No Foam): clr / air / lami (DS/DS 090 DS) 3/4" IG											
	0.118	0.345	0.264					AIR		CL	TS-D	G,S
	U-Factor 0.48			SHGC (<1) 0.51				VT (<1) 0.55			CR 42	
71	141.094/142.094/148.094 HS / Opt 1 (No Refo, No Foam): clr / air / clr / air / clr (SS/SS/SS) 3/4" IG (P1-S)											
	0.087	0.250	0.087	0.250	0.087			AIR		CL	TS-D	N,S
	U-Factor 0.38			SHGC (N / <1) 0.55 / 0.49				VT (N / <1) 0.58 / 0.52			CR 51	
72	141.094/142.094/148.094 HS / Opt 1 (No Refo, No Foam): clr / air / clr / air / clr (SS/SS/SS) 3/4" IG (P1-S)											
	0.087	0.250	0.087	0.250	0.087			AIR		CL	TS-D	G,S
	U-Factor 0.39			SHGC (<1) 0.49				VT (<1) 0.52			CR 51	
73	141.094/142.094/148.094 HS / Opt 1 (No Refo, No Foam): 70/36 / air / clr (SS/SS) 3/4" IG											
	0.090	0.563	0.090					AIR	0.036(#2)	CL	TS-D	N,G,S
	U-Factor 0.33			SHGC (N / <1) 0.30 / 0.27				VT (N / <1) 0.54 / 0.48			CR 55	
	141.094/142.094/148.094 HS / Opt 1 (No Refo, No Foam): clr / air / 70/36 (SS/SS) 3/4" IG											
	0.090	0.563	0.090					AIR	0.036(#3)	CL	TS-D	N,G,S
	U-Factor 0.33			SHGC (N / <1) 0.37 / 0.33				VT (N / <1) 0.54 / 0.48			CR 55	
74	141.094/142.094/148.094 HS / Opt 1 (No Refo, No Foam): 70/36 / arg / clr (SS/SS) 3/4" IG											
	0.090	0.563	0.090					ARG90	0.036(#2)	CL	TS-D	N,G,S
	U-Factor 0.29			SHGC (N / <1) 0.30 / 0.27				VT (N / <1) 0.54 / 0.48			CR 58	
	141.094/142.094/148.094 HS / Opt 1 (No Refo, No Foam): clr / arg / 70/36 (SS/SS) 3/4" IG											
	0.090	0.563	0.090					ARG90	0.036(#3)	CL	TS-D	N,G,S
	U-Factor 0.29			SHGC (N / <1) 0.38 / 0.34				VT (N / <1) 0.54 / 0.48			CR 58	
75	141.094/142.094/148.094 HS / Opt 1 (No Refo, No Foam): 70/36 / air / clr (DS/DS) 3/4" IG											
	0.117	0.500	0.117					AIR	0.036(#2)	CL	TS-D	N,G,S
	U-Factor 0.32			SHGC (N / <1) 0.30 / 0.27				VT (N / <1) 0.53 / 0.47			CR 53	
	141.094/142.094/148.094 HS / Opt 1 (No Refo, No Foam): clr / air / 70/36 (DS/DS) 3/4" IG											
	0.117	0.500	0.117					AIR	0.036(#3)	CL	TS-D	N,G,S
	U-Factor 0.32			SHGC (N / <1) 0.37 / 0.33				VT (N / <1) 0.53 / 0.47			CR 53	

NFRC 100/200/500 Summary Sheet
Windgate/Belmont/Hawthorne 2-Lite Slider

ID	Pane Thickness 1	Gap Width 1	Pane Thickness 2	Gap Width 2	Pane Thickness 3	Gap Width 3	Pane Thickness 4	Gap Fill	Low-e (Surface#)	Tint	Spacer	Grid Type
	U-Factor			Solar Heat Gain Coefficient (SHGC) Grids (None / <1 / >=1)				Visible Transmittance (VT) Grids (None / <1 / >=1)			Condensation Resistance	
76	141.094/142.094/148.094 HS / Opt 1 (No Refo, No Foam): 70/36 / arg / clr (DS/DS) 3/4" IG											
	0.117	0.500	0.117					ARG90	0.036(#2)	CL	TS-D	N,G,S
	U-Factor 0.29			SHGC (N / <1) 0.29 / 0.27				VT (N / <1) 0.53 / 0.47			CR 56	
	141.094/142.094/148.094 HS / Opt 1 (No Refo, No Foam): clr / arg / 70/36 (DS/DS) 3/4" IG											
	0.117	0.500	0.117					ARG90	0.036(#3)	CL	TS-D	N,G,S
	U-Factor 0.29			SHGC (N / <1) 0.37 / 0.33				VT (N / <1) 0.53 / 0.47			CR 56	
77	141.094/142.094/148.094 HS / Opt 1 (No Refo, No Foam): lami / arg / 70/36 (DS 090 DS/DS) 3/4" IG											
	0.264	0.345	0.117					ARG90	0.036(#3)	CL	TS-D	N,S
	U-Factor 0.31			SHGC (N / <1) 0.35 / 0.32				VT (N / <1) 0.52 / 0.47			CR 55	
	141.094/142.094/148.094 HS / Opt 1 (No Refo, No Foam): 70/36 / arg / lami (DS/DS 090 DS) 3/4" IG											
	0.117	0.345	0.264					ARG90	0.036(#2)	CL	TS-D	N,S
	U-Factor 0.31			SHGC (N / <1) 0.29 / 0.26				VT (N / <1) 0.52 / 0.47			CR 55	
78	141.094/142.094/148.094 HS / Opt 1 (No Refo, No Foam): lami / arg / 70/36 (DS 090 DS/DS) 3/4" IG											
	0.264	0.345	0.117					ARG90	0.036(#3)	CL	TS-D	G,S
	U-Factor 0.32			SHGC (<1) 0.32				VT (<1) 0.47			CR 55	
	141.094/142.094/148.094 HS / Opt 1 (No Refo, No Foam): 70/36 / arg / lami (DS/DS 090 DS) 3/4" IG											
	0.117	0.345	0.264					ARG90	0.036(#2)	CL	TS-D	G,S
	U-Factor 0.32			SHGC (<1) 0.26				VT (<1) 0.47			CR 55	
79	141.094/142.094/148.094 HS / Opt 1 (No Refo, No Foam): 70/36 / arg / clr / arg / 70/36 (SS/SS/SS) 3/4" IG											
	0.090	0.250	0.090	0.250	0.090			ARG90	0.036(#2) / 0.036(#5)	CL	TS-D	N,S
	U-Factor 0.25			SHGC (N / <1) 0.26 / 0.23				VT (N / <1) 0.42 / 0.37			CR 62	
80	141.094/142.094/148.094 HS / Opt 1 (No Refo, No Foam): 70/36 / arg / clr / arg / 70/36 (SS/SS/SS) 3/4" IG											
	0.090	0.250	0.090	0.250	0.090			ARG90	0.036(#2) / 0.036(#5)	CL	TS-D	G,S
	U-Factor 0.26			SHGC (<1) 0.23				VT (<1) 0.37			CR 62	
81	141.094/142.094/148.094 HS / Opt 1 (No Refo, No Foam): 80/70 / air / clr (SS/SS) 3/4" IG											
	0.090	0.563	0.090					AIR	0.095(#2)	CL	TS-D	N,G,S
	U-Factor 0.34			SHGC (N / <1) 0.51 / 0.46				VT (N / <1) 0.62 / 0.55			CR 53	
	141.094/142.094/148.094 HS / Opt 1 (No Refo, No Foam): clr / air / 80/70 (SS/SS) 3/4" IG											
	0.090	0.563	0.090					AIR	0.095(#3)	CL	TS-D	N,G,S
	U-Factor 0.34			SHGC (N / <1) 0.54 / 0.49				VT (N / <1) 0.62 / 0.55			CR 53	

NFRC 100/200/500 Summary Sheet
Windgate/Belmont/Hawthorne 2-Lite Slider

ID	Pane Thickness 1	Gap Width 1	Pane Thickness 2	Gap Width 2	Pane Thickness 3	Gap Width 3	Pane Thickness 4	Gap Fill	Low-e (Surface#)	Tint	Spacer	Grid Type
	U-Factor			Solar Heat Gain Coefficient (SHGC) Grids (None / <1 / >=1)				Visible Transmittance (VT) Grids (None / <1 / >=1)			Condensation Resistance	
82	141.094/142.094/148.094 HS / Opt 1 (No Refo, No Foam): 80/70 / arg / clr (SS/SS) 3/4" IG											
	0.090	0.563	0.090					ARG90	0.095(#2)	CL	TS-D	N,G,S
	U-Factor 0.31			SHGC (N / <1) 0.51 / 0.46				VT (N / <1) 0.62 / 0.55			CR	56
	141.094/142.094/148.094 HS / Opt 1 (No Refo, No Foam): clr / arg / 80/70 (SS/SS) 3/4" IG											
	0.090	0.563	0.090					ARG90	0.095(#3)	CL	TS-D	N,G,S
	U-Factor 0.31			SHGC (N / <1) 0.54 / 0.49				VT (N / <1) 0.62 / 0.55			CR	56
83	141.094/142.094/148.094 HS / Opt 1 (No Refo, No Foam): 80/70 / air / clr (DS/DS) 3/4" IG											
	0.117	0.500	0.117					AIR	0.095(#2)	CL	TS-D	N,G,S
	U-Factor 0.34			SHGC (N / <1) 0.51 / 0.45				VT (N / <1) 0.61 / 0.55			CR	52
	141.094/142.094/148.094 HS / Opt 1 (No Refo, No Foam): clr / air / 80/70 (DS/DS) 3/4" IG											
	0.117	0.500	0.117					AIR	0.095(#3)	CL	TS-D	N,G,S
	U-Factor 0.34			SHGC (N / <1) 0.53 / 0.48				VT (N / <1) 0.61 / 0.55			CR	52
84	141.094/142.094/148.094 HS / Opt 1 (No Refo, No Foam): 80/70 / arg / clr (DS/DS) 3/4" IG											
	0.117	0.500	0.117					ARG90	0.095(#2)	CL	TS-D	N,G,S
	U-Factor 0.31			SHGC (N / <1) 0.51 / 0.45				VT (N / <1) 0.61 / 0.55			CR	55
	141.094/142.094/148.094 HS / Opt 1 (No Refo, No Foam): clr / arg / 80/70 (DS/DS) 3/4" IG											
	0.117	0.500	0.117					ARG90	0.095(#3)	CL	TS-D	N,G,S
	U-Factor 0.31			SHGC (N / <1) 0.54 / 0.48				VT (N / <1) 0.61 / 0.55			CR	55
85	141.094/142.094/148.094 HS / Opt 1 (No Refo, No Foam): lami / arg / 80/70 (DS 090 DS/DS) 3/4" IG											
	0.264	0.345	0.117					ARG90	0.095(#3)	CL	TS-D	N,S
	U-Factor 0.32			SHGC (N / <1) 0.49 / 0.44				VT (N / <1) 0.60 / 0.54			CR	54
	141.094/142.094/148.094 HS / Opt 1 (No Refo, No Foam): 80/70 / arg / lami (DS/DS 090 DS) 3/4" IG											
	0.117	0.345	0.264					ARG90	0.095(#2)	CL	TS-D	N,S
	U-Factor 0.32			SHGC (N / <1) 0.50 / 0.45				VT (N / <1) 0.60 / 0.54			CR	54
86	141.094/142.094/148.094 HS / Opt 1 (No Refo, No Foam): lami / arg / 80/70 (DS 090 DS/DS) 3/4" IG											
	0.264	0.345	0.117					ARG90	0.095(#3)	CL	TS-D	G,S
	U-Factor 0.34			SHGC (<1) 0.44				VT (<1) 0.54			CR	54
	141.094/142.094/148.094 HS / Opt 1 (No Refo, No Foam): 80/70 / arg / lami (DS/DS 090 DS) 3/4" IG											
	0.117	0.345	0.264					ARG90	0.095(#2)	CL	TS-D	G,S
	U-Factor 0.34			SHGC (<1) 0.45				VT (<1) 0.54			CR	54

**NFRC 100/200/500 Summary Sheet
Windgate/Belmont/Hawthorne 2-Lite Slider**

ID	Pane Thickness 1	Gap Width 1	Pane Thickness 2	Gap Width 2	Pane Thickness 3	Gap Width 3	Pane Thickness 4	Gap Fill	Low-e (Surface#)	Tint	Spacer	Grid Type
	U-Factor			Solar Heat Gain Coefficient (SHGC) Grids (None / <1 / >=1)				Visible Transmittance (VT) Grids (None / <1 / >=1)		Condensation Resistance		
87	141.094/142.094/148.094 HS / Opt 1 (No Refo, No Foam): 80/70 / arg / clr / arg / 80/70 (SS/SS/SS) 3/4" IG											
	0.090	0.250	0.090	0.250	0.090			ARG90	0.095(#2) / 0.095(#5)	CL	TS-D	N,S
	U-Factor 0.26			SHGC (N / <1) 0.45 / 0.41				VT (N / <1) 0.56 / 0.50		CR 61		
88	141.094/142.094/148.094 HS / Opt 1 (No Refo, No Foam): 80/70 / arg / clr / arg / 80/70 (SS/SS/SS) 3/4" IG											
	0.090	0.250	0.090	0.250	0.090			ARG90	0.095(#2) / 0.095(#5)	CL	TS-D	G,S
	U-Factor 0.27			SHGC (<1) 0.41				VT (<1) 0.50		CR 61		
89	141.094/142.094/148.094 HS / Opt 2 (ALU Refo KS/LS, No Foam): clr / air / clr (SS/SS) 3/4" IG											
	0.087	0.563	0.087					AIR		CL	P1-S	N,G,S
	U-Factor 0.45			SHGC (N / <1) 0.61 / 0.54				VT (N / <1) 0.63 / 0.56		CR 45		
90	141.094/142.094/148.094 HS / Opt 2 (ALU Refo KS/LS, No Foam): clr / air / clr (DS/DS) 3/4" IG											
	0.118	0.500	0.118					AIR		CL	P1-S	N,G,S
	U-Factor 0.45			SHGC (N / <1) 0.59 / 0.53				VT (N / <1) 0.62 / 0.56		CR 45		
91	141.094/142.094/148.094 HS / Opt 2 (ALU Refo KS/LS, No Foam): clr / air / clr (5mm/DS) 3/4" IG											
	0.185	0.438	0.118					AIR		CL	P1-S	N,G,S
	U-Factor 0.46			SHGC (N / <1) 0.57 / 0.51				VT (N / <1) 0.62 / 0.55		CR 44		
92	141.094/142.094/148.094 HS / Opt 2 (ALU Refo KS/LS, No Foam): clr / air / clr (5mm/DS) 3/4" IG											
	0.185	0.438	0.118					AIR		CL	P1-S	G
	U-Factor 0.46			SHGC (<1) 0.51				VT (<1) 0.55		CR 44		
93	141.094/142.094/148.094 HS / Opt 2 (ALU Refo KS/LS, No Foam): lami / air / clr (DS 090 DS/DS) 3/4" IG											
	0.264	0.345	0.118					AIR		CL	P1-S	N,S
	U-Factor 0.47			SHGC (N / <1) 0.55 / 0.49				VT (N / <1) 0.61 / 0.55		CR 43		
	141.094/142.094/148.094 HS / Opt 2 (ALU Refo KS/LS, No Foam): clr / air / lami (DS/DS 090 DS) 3/4" IG											
	0.118	0.345	0.264					AIR		CL	P1-S	N,S
	U-Factor 0.47			SHGC (N / <1) 0.57 / 0.51				VT (N / <1) 0.61 / 0.55		CR 43		
94	141.094/142.094/148.094 HS / Opt 2 (ALU Refo KS/LS, No Foam): lami / air / clr (DS 090 DS/DS) 3/4" IG											
	0.264	0.345	0.118					AIR		CL	P1-S	G,S
	U-Factor 0.47			SHGC (<1) 0.49				VT (<1) 0.55		CR 43		
	141.094/142.094/148.094 HS / Opt 2 (ALU Refo KS/LS, No Foam): clr / air / lami (DS/DS 090 DS) 3/4" IG											
	0.118	0.345	0.264					AIR		CL	P1-S	G,S
	U-Factor 0.47			SHGC (<1) 0.51				VT (<1) 0.55		CR 43		

NFRC 100/200/500 Summary Sheet
Windgate/Belmont/Hawthorne 2-Lite Slider

ID	Pane Thickness 1	Gap Width 1	Pane Thickness 2	Gap Width 2	Pane Thickness 3	Gap Width 3	Pane Thickness 4	Gap Fill	Low-e (Surface#)	Tint	Spacer	Grid Type
	U-Factor			Solar Heat Gain Coefficient (SHGC) Grids (None / <1 / >=1)				Visible Transmittance (VT) Grids (None / <1 / >=1)			Condensation Resistance	
95	141.094/142.094/148.094 HS / Opt 2 (ALU Refo KS/LS, No Foam): clr / air / clr / air / clr (SS/SS/SS) 3/4" IG (P1-S)											
	0.087	0.250	0.087	0.250	0.087			AIR		CL	P1-S	N,S
	U-Factor 0.37			SHGC (N / <1) 0.55 / 0.49				VT (N / <1) 0.58 / 0.52			CR 53	
96	141.094/142.094/148.094 HS / Opt 2 (ALU Refo KS/LS, No Foam): clr / air / clr / air / clr (SS/SS/SS) 3/4" IG (P1-S)											
	0.087	0.250	0.087	0.250	0.087			AIR		CL	P1-S	G,S
	U-Factor 0.38			SHGC (<1) 0.49				VT (<1) 0.52			CR 53	
97	141.094/142.094/148.094 HS / Opt 2 (ALU Refo KS/LS, No Foam): E270 / air / clr (SS/SS) 3/4" IG											
	0.087	0.563	0.087					AIR	0.037(#2)	CL	P1-S	N,G,S
	U-Factor 0.32			SHGC (N / <1) 0.29 / 0.26				VT (N / <1) 0.54 / 0.48			CR 58	
	141.094/142.094/148.094 HS / Opt 2 (ALU Refo KS/LS, No Foam): clr / air / E270 (SS/SS) 3/4" IG											
	0.087	0.563	0.087					AIR	0.037(#3)	CL	P1-S	N,G,S
	U-Factor 0.32			SHGC (N / <1) 0.35 / 0.32				VT (N / <1) 0.54 / 0.48			CR 58	
98	141.094/142.094/148.094 HS / Opt 2 (ALU Refo KS/LS, No Foam): E270 / arg / clr (SS/SS) 3/4" IG											
	0.087	0.563	0.087					ARG90	0.037(#2)	CL	P1-S	N,G,S
	U-Factor 0.28			SHGC (N / <1) 0.28 / 0.26				VT (N / <1) 0.54 / 0.48			CR 62	
	141.094/142.094/148.094 HS / Opt 2 (ALU Refo KS/LS, No Foam): clr / arg / E270 (SS/SS) 3/4" IG											
	0.087	0.563	0.087					ARG90	0.037(#3)	CL	P1-S	N,G,S
	U-Factor 0.28			SHGC (N / <1) 0.36 / 0.32				VT (N / <1) 0.54 / 0.48			CR 62	
99	141.094/142.094/148.094 HS / Opt 2 (ALU Refo KS/LS, No Foam): E270 / air / clr (DS/DS) 3/4" IG											
	0.118	0.500	0.118					AIR	0.037(#2)	CL	P1-S	N,G,S
	U-Factor 0.31			SHGC (N / <1) 0.29 / 0.26				VT (N / <1) 0.53 / 0.47			CR 57	
	141.094/142.094/148.094 HS / Opt 2 (ALU Refo KS/LS, No Foam): clr / air / E270 (DS/DS) 3/4" IG											
	0.118	0.500	0.118					AIR	0.037(#3)	CL	P1-S	N,G,S
	U-Factor 0.31			SHGC (N / <1) 0.35 / 0.31				VT (N / <1) 0.53 / 0.47			CR 57	
100	141.094/142.094/148.094 HS / Opt 2 (ALU Refo KS/LS, No Foam): E270 / arg / clr (DS/DS) 3/4" IG											
	0.118	0.500	0.118					ARG90	0.037(#2)	CL	P1-S	N,G,S
	U-Factor 0.28			SHGC (N / <1) 0.28 / 0.25				VT (N / <1) 0.53 / 0.47			CR 61	
	141.094/142.094/148.094 HS / Opt 2 (ALU Refo KS/LS, No Foam): clr / arg / E270 (DS/DS) 3/4" IG											
	0.118	0.500	0.118					ARG90	0.037(#3)	CL	P1-S	N,G,S
	U-Factor 0.28			SHGC (N / <1) 0.35 / 0.32				VT (N / <1) 0.53 / 0.47			CR 61	

NFRC 100/200/500 Summary Sheet
Windgate/Belmont/Hawthorne 2-Lite Slider

ID	Pane Thickness 1	Gap Width 1	Pane Thickness 2	Gap Width 2	Pane Thickness 3	Gap Width 3	Pane Thickness 4	Gap Fill	Low-e (Surface#)	Tint	Spacer	Grid Type
	U-Factor			Solar Heat Gain Coefficient (SHGC) Grids (None / <1 / >=1)				Visible Transmittance (VT) Grids (None / <1 / >=1)			Condensation Resistance	
101	141.094/142.094/148.094 HS / Opt 2 (ALU Refo KS/LS, No Foam): lami / arg / E270 (DS 090 DS/DS) 3/4" IG											
	0.264	0.345	0.118					ARG90	0.037(#3)	CL	P1-S	N,S
	U-Factor 0.30			SHGC (N / <1) 0.33 / 0.30				VT (N / <1) 0.52 / 0.47			CR	59
	141.094/142.094/148.094 HS / Opt 2 (ALU Refo KS/LS, No Foam): E270 / arg / lami (DS/DS 090 DS) 3/4" IG											
	0.118	0.345	0.264					ARG90	0.037(#2)	CL	P1-S	N,S
	U-Factor 0.30			SHGC (N / <1) 0.28 / 0.25				VT (N / <1) 0.52 / 0.47			CR	59
102	141.094/142.094/148.094 HS / Opt 2 (ALU Refo KS/LS, No Foam): lami / arg / E270 (DS 090 DS/DS) 3/4" IG											
	0.264	0.345	0.118					ARG90	0.037(#3)	CL	P1-S	G,S
	U-Factor 0.31			SHGC (<1) 0.30				VT (<1) 0.47			CR	59
	141.094/142.094/148.094 HS / Opt 2 (ALU Refo KS/LS, No Foam): E270 / arg / lami (DS/DS 090 DS) 3/4" IG											
	0.118	0.345	0.264					ARG90	0.037(#2)	CL	P1-S	G,S
	U-Factor 0.31			SHGC (<1) 0.25				VT (<1) 0.47			CR	59
103	141.094/142.094/148.094 HS / Opt 2 (ALU Refo KS/LS, No Foam): E270 / arg / clr / arg / E270 (SS/SS/SS) 3/4" IG (P1-S)											
	0.087	0.250	0.087	0.250	0.087			ARG90	0.037(#2) / 0.037(#5)	CL	P1-S	N,S
	U-Factor 0.24			SHGC (N / <1) 0.24 / 0.22				VT (N / <1) 0.42 / 0.37			CR	67
104	141.094/142.094/148.094 HS / Opt 2 (ALU Refo KS/LS, No Foam): E270 / arg / clr / arg / E270 (SS/SS/SS) 3/4" IG (P1-S)											
	0.087	0.250	0.087	0.250	0.087			ARG90	0.037(#2) / 0.037(#5)	CL	P1-S	G,S
	U-Factor 0.25			SHGC (<1) 0.22				VT (<1) 0.37			CR	67
105	141.094/142.094/148.094 HS / Opt 2 (ALU Refo KS/LS, No Foam): E366 / air / clr (SS/SS) 3/4" IG											
	0.087	0.563	0.087					AIR	0.022(#2)	CL	P1-S	N,G,S
	U-Factor 0.31			SHGC (N / <1) 0.21 / 0.19				VT (N / <1) 0.50 / 0.44			CR	58
	141.094/142.094/148.094 HS / Opt 2 (ALU Refo KS/LS, No Foam): clr / air / E366 (SS/SS) 3/4" IG											
	0.087	0.563	0.087					AIR	0.022(#3)	CL	P1-S	N,G,S
	U-Factor 0.31			SHGC (N / <1) 0.30 / 0.27				VT (N / <1) 0.50 / 0.44			CR	58
106	141.094/142.094/148.094 HS / Opt 2 (ALU Refo KS/LS, No Foam): E366 / arg / clr (SS/SS) 3/4" IG											
	0.087	0.563	0.087					ARG90	0.022(#2)	CL	P1-S	N,G,S
	U-Factor 0.28			SHGC (N / <1) 0.21 / 0.19				VT (N / <1) 0.50 / 0.44			CR	62
	141.094/142.094/148.094 HS / Opt 2 (ALU Refo KS/LS, No Foam): clr / arg / E366 (SS/SS) 3/4" IG											
	0.087	0.563	0.087					ARG90	0.022(#3)	CL	P1-S	N,G,S
	U-Factor 0.28			SHGC (N / <1) 0.30 / 0.27				VT (N / <1) 0.50 / 0.44			CR	62

**NFRC 100/200/500 Summary Sheet
Windgate/Belmont/Hawthorne 2-Lite Slider**

ID	Pane Thickness 1	Gap Width 1	Pane Thickness 2	Gap Width 2	Pane Thickness 3	Gap Width 3	Pane Thickness 4	Gap Fill	Low-e (Surface#)	Tint	Spacer	Grid Type
	U-Factor			Solar Heat Gain Coefficient (SHGC) Grids (None / <1 / >=1)				Visible Transmittance (VT) Grids (None / <1 / >=1)			Condensation Resistance	
107	141.094/142.094/148.094 HS / Opt 2 (ALU Refo KS/LS, No Foam): E366 / air / clr (DS/DS) 3/4" IG											
	0.117	0.500	0.118					AIR	0.022(#2)	CL	P1-S	N,G,S
	U-Factor 0.31			SHGC (N / <1) 0.21 / 0.19				VT (N / <1) 0.49 / 0.44			CR 58	
	141.094/142.094/148.094 HS / Opt 2 (ALU Refo KS/LS, No Foam): clr / air / E366 (DS/DS) 3/4" IG											
	0.118	0.500	0.117					AIR	0.022(#3)	CL	P1-S	N,G,S
	U-Factor 0.31			SHGC (N / <1) 0.29 / 0.27				VT (N / <1) 0.49 / 0.44			CR 58	
108	141.094/142.094/148.094 HS / Opt 2 (ALU Refo KS/LS, No Foam): E366 / arg / clr (DS/DS) 3/4" IG											
	0.117	0.500	0.118					ARG90	0.022(#2)	CL	P1-S	N,G,S
	U-Factor 0.27			SHGC (N / <1) 0.21 / 0.19				VT (N / <1) 0.49 / 0.44			CR 61	
	141.094/142.094/148.094 HS / Opt 2 (ALU Refo KS/LS, No Foam): clr / arg / E366 (DS/DS) 3/4" IG											
	0.118	0.500	0.117					ARG90	0.022(#3)	CL	P1-S	N,G,S
	U-Factor 0.27			SHGC (N / <1) 0.30 / 0.27				VT (N / <1) 0.49 / 0.44			CR 61	
109	141.094/142.094/148.094 HS / Opt 2 (ALU Refo KS/LS, No Foam): lami / arg / E366 (DS 090 DS/DS) 3/4" IG											
	0.264	0.345	0.117					ARG90	0.022(#3)	CL	P1-S	N,S
	U-Factor 0.29			SHGC (N / <1) 0.29 / 0.26				VT (N / <1) 0.48 / 0.43			CR 59	
	141.094/142.094/148.094 HS / Opt 2 (ALU Refo KS/LS, No Foam): E366 / arg / lami (DS/DS 090 DS) 3/4" IG											
	0.117	0.345	0.264					ARG90	0.022(#2)	CL	P1-S	N,S
	U-Factor 0.29			SHGC (N / <1) 0.21 / 0.19				VT (N / <1) 0.48 / 0.43			CR 59	
110	141.094/142.094/148.094 HS / Opt 2 (ALU Refo KS/LS, No Foam): lami / arg / E366 (DS 090 DS/DS) 3/4" IG											
	0.264	0.345	0.117					ARG90	0.022(#3)	CL	P1-S	G,S
	U-Factor 0.31			SHGC (<1) 0.26				VT (<1) 0.43			CR 59	
	141.094/142.094/148.094 HS / Opt 2 (ALU Refo KS/LS, No Foam): E366 / arg / lami (DS/DS 090 DS) 3/4" IG											
	0.117	0.345	0.264					ARG90	0.022(#2)	CL	P1-S	G,S
	U-Factor 0.31			SHGC (<1) 0.19				VT (<1) 0.43			CR 59	
111	141.094/142.094/148.094 HS / Opt 2 (ALU Refo KS/LS, No Foam): E366 / arg / clr / arg / E366 (SS/SS/SS) 3/4" IG (P1-S)											
	0.087	0.250	0.087	0.250	0.087			ARG90	0.022(#2) / 0.022(#5)	CL	P1-S	N,S
	U-Factor 0.24			SHGC (N / <1) 0.19 / 0.17				VT (N / <1) 0.36 / 0.32			CR 67	
112	141.094/142.094/148.094 HS / Opt 2 (ALU Refo KS/LS, No Foam): E366 / arg / clr / arg / E366 (SS/SS/SS) 3/4" IG (P1-S)											
	0.087	0.250	0.087	0.250	0.087			ARG90	0.022(#2) / 0.022(#5)	CL	P1-S	G,S
	U-Factor 0.25			SHGC (<1) 0.17				VT (<1) 0.32			CR 67	

NFRC 100/200/500 Summary Sheet
Windgate/Belmont/Hawthorne 2-Lite Slider

ID	Pane Thickness 1	Gap Width 1	Pane Thickness 2	Gap Width 2	Pane Thickness 3	Gap Width 3	Pane Thickness 4	Gap Fill	Low-e (Surface#)	Tint	Spacer	Grid Type
	U-Factor			Solar Heat Gain Coefficient (SHGC) Grids (None / <1 / >=1)				Visible Transmittance (VT) Grids (None / <1 / >=1)			Condensation Resistance	
113	141.094/142.094/148.094 HS / Opt 2 (ALU Refo KS/LS, No Foam): 70/36 / air / clr (SS/SS) 3/4" IG											
	0.090	0.563	0.090					AIR	0.036(#2)	CL	P1-S	N,G,S
	U-Factor 0.31			SHGC (N / <1) 0.30 / 0.27				VT (N / <1) 0.54 / 0.48			CR 58	
	141.094/142.094/148.094 HS / Opt 2 (ALU Refo KS/LS, No Foam): clr / air / 70/36 (SS/SS) 3/4" IG											
	0.090	0.563	0.090					AIR	0.036(#3)	CL	P1-S	N,G,S
	U-Factor 0.31			SHGC (N / <1) 0.37 / 0.33				VT (N / <1) 0.54 / 0.48			CR 58	
114	141.094/142.094/148.094 HS / Opt 2 (ALU Refo KS/LS, No Foam): 70/36 / arg / clr (SS/SS) 3/4" IG											
	0.090	0.563	0.090					ARG90	0.036(#2)	CL	P1-S	N,G,S
	U-Factor 0.28			SHGC (N / <1) 0.30 / 0.27				VT (N / <1) 0.54 / 0.48			CR 62	
	141.094/142.094/148.094 HS / Opt 2 (ALU Refo KS/LS, No Foam): clr / arg / 70/36 (SS/SS) 3/4" IG											
	0.090	0.563	0.090					ARG90	0.036(#3)	CL	P1-S	N,G,S
	U-Factor 0.28			SHGC (N / <1) 0.38 / 0.34				VT (N / <1) 0.54 / 0.48			CR 62	
115	141.094/142.094/148.094 HS / Opt 2 (ALU Refo KS/LS, No Foam): 70/36 / air / clr (DS/DS) 3/4" IG											
	0.117	0.500	0.117					AIR	0.036(#2)	CL	P1-S	N,G,S
	U-Factor 0.31			SHGC (N / <1) 0.30 / 0.27				VT (N / <1) 0.53 / 0.47			CR 57	
	141.094/142.094/148.094 HS / Opt 2 (ALU Refo KS/LS, No Foam): clr / air / 70/36 (DS/DS) 3/4" IG											
	0.117	0.500	0.117					AIR	0.036(#3)	CL	P1-S	N,G,S
	U-Factor 0.31			SHGC (N / <1) 0.37 / 0.33				VT (N / <1) 0.53 / 0.47			CR 57	
116	141.094/142.094/148.094 HS / Opt 2 (ALU Refo KS/LS, No Foam): 70/36 / arg / clr (DS/DS) 3/4" IG											
	0.117	0.500	0.117					ARG90	0.036(#2)	CL	P1-S	N,G,S
	U-Factor 0.28			SHGC (N / <1) 0.29 / 0.27				VT (N / <1) 0.53 / 0.47			CR 61	
	141.094/142.094/148.094 HS / Opt 2 (ALU Refo KS/LS, No Foam): clr / arg / 70/36 (DS/DS) 3/4" IG											
	0.117	0.500	0.117					ARG90	0.036(#3)	CL	P1-S	N,G,S
	U-Factor 0.28			SHGC (N / <1) 0.37 / 0.33				VT (N / <1) 0.53 / 0.47			CR 61	
117	141.094/142.094/148.094 HS / Opt 2 (ALU Refo KS/LS, No Foam): lami / arg / 70/36 (DS 090 DS/DS) 3/4" IG											
	0.264	0.345	0.117					ARG90	0.036(#3)	CL	P1-S	N,S
	U-Factor 0.30			SHGC (N / <1) 0.35 / 0.32				VT (N / <1) 0.52 / 0.47			CR 59	
	141.094/142.094/148.094 HS / Opt 2 (ALU Refo KS/LS, No Foam): 70/36 / arg / lami (DS/DS 090 DS) 3/4" IG											
	0.117	0.345	0.264					ARG90	0.036(#2)	CL	P1-S	N,S
	U-Factor 0.30			SHGC (N / <1) 0.29 / 0.26				VT (N / <1) 0.52 / 0.47			CR 59	

NFRC 100/200/500 Summary Sheet
Windgate/Belmont/Hawthorne 2-Lite Slider

ID	Pane Thickness 1	Gap Width 1	Pane Thickness 2	Gap Width 2	Pane Thickness 3	Gap Width 3	Pane Thickness 4	Gap Fill	Low-e (Surface#)	Tint	Spacer	Grid Type
	U-Factor			Solar Heat Gain Coefficient (SHGC) Grids (None / <1 / >=1)				Visible Transmittance (VT) Grids (None / <1 / >=1)			Condensation Resistance	
118	141.094/142.094/148.094 HS / Opt 2 (ALU Refo KS/LS, No Foam): lami / arg / 70/36 (DS 090 DS/DS) 3/4" IG											
	0.264	0.345	0.117					ARG90	0.036(#3)	CL	P1-S	G,S
	U-Factor 0.31			SHGC (<1) 0.32				VT (<1) 0.47			CR 59	
	141.094/142.094/148.094 HS / Opt 2 (ALU Refo KS/LS, No Foam): 70/36 / arg / lami (DS/DS 090 DS) 3/4" IG											
	0.117	0.345	0.264					ARG90	0.036(#2)	CL	P1-S	G,S
	U-Factor 0.31			SHGC (<1) 0.26				VT (<1) 0.47			CR 59	
119	141.094/142.094/148.094 HS / Opt 2 (ALU Refo KS/LS, No Foam): 70/36 / arg / clr / arg / 70/36 (SS/SS/SS) 3/4" IG											
	0.090	0.250	0.090	0.250	0.090			ARG90	0.036(#2) / 0.036(#5)	CL	P1-S	N,S
	U-Factor 0.24			SHGC (N / <1) 0.26 / 0.23				VT (N / <1) 0.42 / 0.37			CR 67	
120	141.094/142.094/148.094 HS / Opt 2 (ALU Refo KS/LS, No Foam): 70/36 / arg / clr / arg / 70/36 (SS/SS/SS) 3/4" IG											
	0.090	0.250	0.090	0.250	0.090			ARG90	0.036(#2) / 0.036(#5)	CL	P1-S	G,S
	U-Factor 0.25			SHGC (<1) 0.23				VT (<1) 0.37			CR 67	
121	141.094/142.094/148.094 HS / Opt 2 (ALU Refo KS/LS, No Foam): 80/70 / air / clr (SS/SS) 3/4" IG											
	0.090	0.563	0.090					AIR	0.095(#2)	CL	P1-S	N,G,S
	U-Factor 0.33			SHGC (N / <1) 0.51 / 0.46				VT (N / <1) 0.62 / 0.55			CR 57	
	141.094/142.094/148.094 HS / Opt 2 (ALU Refo KS/LS, No Foam): clr / air / 80/70 (SS/SS) 3/4" IG											
	0.090	0.563	0.090					AIR	0.095(#3)	CL	P1-S	N,G,S
	U-Factor 0.33			SHGC (N / <1) 0.54 / 0.49				VT (N / <1) 0.62 / 0.55			CR 57	
122	141.094/142.094/148.094 HS / Opt 2 (ALU Refo KS/LS, No Foam): 80/70 / arg / clr (SS/SS) 3/4" IG											
	0.090	0.563	0.090					ARG90	0.095(#2)	CL	P1-S	N,G,S
	U-Factor 0.30			SHGC (N / <1) 0.51 / 0.46				VT (N / <1) 0.62 / 0.55			CR 60	
	141.094/142.094/148.094 HS / Opt 2 (ALU Refo KS/LS, No Foam): clr / arg / 80/70 (SS/SS) 3/4" IG											
	0.090	0.563	0.090					ARG90	0.095(#3)	CL	P1-S	N,G,S
	U-Factor 0.30			SHGC (N / <1) 0.54 / 0.49				VT (N / <1) 0.62 / 0.55			CR 60	
123	141.094/142.094/148.094 HS / Opt 2 (ALU Refo KS/LS, No Foam): 80/70 / air / clr (DS/DS) 3/4" IG											
	0.117	0.500	0.117					AIR	0.095(#2)	CL	P1-S	N,G,S
	U-Factor 0.33			SHGC (N / <1) 0.51 / 0.45				VT (N / <1) 0.61 / 0.55			CR 56	
	141.094/142.094/148.094 HS / Opt 2 (ALU Refo KS/LS, No Foam): clr / air / 80/70 (DS/DS) 3/4" IG											
	0.117	0.500	0.117					AIR	0.095(#3)	CL	P1-S	N,G,S
	U-Factor 0.33			SHGC (N / <1) 0.53 / 0.48				VT (N / <1) 0.61 / 0.55			CR 56	

**NFRC 100/200/500 Summary Sheet
Windgate/Belmont/Hawthorne 2-Lite Slider**

ID	Pane Thickness 1	Gap Width 1	Pane Thickness 2	Gap Width 2	Pane Thickness 3	Gap Width 3	Pane Thickness 4	Gap Fill	Low-e (Surface#)	Tint	Spacer	Grid Type
	U-Factor			Solar Heat Gain Coefficient (SHGC) Grids (None / <1 / >=1)				Visible Transmittance (VT) Grids (None / <1 / >=1)			Condensation Resistance	
124	141.094/142.094/148.094 HS / Opt 2 (ALU Refo KS/LS, No Foam): 80/70 / arg / clr (DS/DS) 3/4" IG											
	0.117	0.500	0.117					ARG90	0.095(#2)	CL	P1-S	N,G,S
	U-Factor 0.29			SHGC (N / <1) 0.51 / 0.45				VT (N / <1) 0.61 / 0.55			CR 59	
	141.094/142.094/148.094 HS / Opt 2 (ALU Refo KS/LS, No Foam): clr / arg / 80/70 (DS/DS) 3/4" IG											
	0.117	0.500	0.117					ARG90	0.095(#3)	CL	P1-S	N,G,S
	U-Factor 0.29			SHGC (N / <1) 0.54 / 0.48				VT (N / <1) 0.61 / 0.55			CR 59	
125	141.094/142.094/148.094 HS / Opt 2 (ALU Refo KS/LS, No Foam): lami / arg / 80/70 (DS 090 DS/DS) 3/4" IG											
	0.264	0.345	0.117					ARG90	0.095(#3)	CL	P1-S	N,S
	U-Factor 0.31			SHGC (N / <1) 0.49 / 0.44				VT (N / <1) 0.60 / 0.54			CR 57	
	141.094/142.094/148.094 HS / Opt 2 (ALU Refo KS/LS, No Foam): 80/70 / arg / lami (DS/DS 090 DS) 3/4" IG											
	0.117	0.345	0.264					ARG90	0.095(#2)	CL	P1-S	N,S
	U-Factor 0.31			SHGC (N / <1) 0.50 / 0.45				VT (N / <1) 0.60 / 0.54			CR 57	
126	141.094/142.094/148.094 HS / Opt 2 (ALU Refo KS/LS, No Foam): lami / arg / 80/70 (DS 090 DS/DS) 3/4" IG											
	0.264	0.345	0.117					ARG90	0.095(#3)	CL	P1-S	G,S
	U-Factor 0.33			SHGC (<1) 0.44				VT (<1) 0.54			CR 57	
	141.094/142.094/148.094 HS / Opt 2 (ALU Refo KS/LS, No Foam): 80/70 / arg / lami (DS/DS 090 DS) 3/4" IG											
	0.117	0.345	0.264					ARG90	0.095(#2)	CL	P1-S	G,S
	U-Factor 0.33			SHGC (<1) 0.45				VT (<1) 0.54			CR 57	
127	141.094/142.094/148.094 HS / Opt 2 (ALU Refo KS/LS, No Foam): 80/70 / arg / clr / arg / 80/70 (SS/SS/SS) 3/4" IG											
	0.090	0.250	0.090	0.250	0.090			ARG90	0.095(#2) / 0.095(#5)	CL	P1-S	N,S
	U-Factor 0.25			SHGC (N / <1) 0.45 / 0.41				VT (N / <1) 0.56 / 0.50			CR 66	
128	141.094/142.094/148.094 HS / Opt 2 (ALU Refo KS/LS, No Foam): 80/70 / arg / clr / arg / 80/70 (SS/SS/SS) 3/4" IG											
	0.090	0.250	0.090	0.250	0.090			ARG90	0.095(#2) / 0.095(#5)	CL	P1-S	G,S
	U-Factor 0.26			SHGC (<1) 0.41				VT (<1) 0.50			CR 66	
129	141.094/142.094/148.094 HS / Opt 2 (ALU Refo KS/LS, No Foam): clr / air / clr (SS/SS) 3/4" IG											
	0.087	0.563	0.087					AIR		CL	SS-D	N,G,S
	U-Factor 0.46			SHGC (N / <1) 0.61 / 0.54				VT (N / <1) 0.63 / 0.56			CR 44	
130	141.094/142.094/148.094 HS / Opt 2 (ALU Refo KS/LS, No Foam): clr / air / clr (DS/DS) 3/4" IG											
	0.118	0.500	0.118					AIR		CL	SS-D	N,G,S
	U-Factor 0.46			SHGC (N / <1) 0.59 / 0.53				VT (N / <1) 0.62 / 0.56			CR 43	

NFRC 100/200/500 Summary Sheet
Windgate/Belmont/Hawthorne 2-Lite Slider

ID	Pane Thickness 1	Gap Width 1	Pane Thickness 2	Gap Width 2	Pane Thickness 3	Gap Width 3	Pane Thickness 4	Gap Fill	Low-e (Surface#)	Tint	Spacer	Grid Type
	U-Factor			Solar Heat Gain Coefficient (SHGC) Grids (None / <1 / >=1)				Visible Transmittance (VT) Grids (None / <1 / >=1)			Condensation Resistance	
131	141.094/142.094/148.094 HS / Opt 2 (ALU Refo KS/LS, No Foam): clr / air / clr (5mm/DS) 3/4" IG											
	0.185	0.438	0.118					AIR		CL	SS-D	N,G,S
	U-Factor 0.46			SHGC (N / <1) 0.57 / 0.51				VT (N / <1) 0.62 / 0.55			CR 43	
132	141.094/142.094/148.094 HS / Opt 2 (ALU Refo KS/LS, No Foam): clr / air / clr (5mm/DS) 3/4" IG											
	0.185	0.438	0.118					AIR		CL	SS-D	G
	U-Factor 0.46			SHGC (<1) 0.51				VT (<1) 0.55			CR 43	
133	141.094/142.094/148.094 HS / Opt 2 (ALU Refo KS/LS, No Foam): lami / air / clr (DS 090 DS/DS) 3/4" IG											
	0.264	0.345	0.118					AIR		CL	SS-D	N,S
	U-Factor 0.47			SHGC (N / <1) 0.55 / 0.49				VT (N / <1) 0.61 / 0.55			CR 42	
	141.094/142.094/148.094 HS / Opt 2 (ALU Refo KS/LS, No Foam): clr / air / lami (DS/DS 090 DS) 3/4" IG											
	0.118	0.345	0.264					AIR		CL	SS-D	N,S
	U-Factor 0.47			SHGC (N / <1) 0.57 / 0.51				VT (N / <1) 0.61 / 0.55			CR 42	
134	141.094/142.094/148.094 HS / Opt 2 (ALU Refo KS/LS, No Foam): lami / air / clr (DS 090 DS/DS) 3/4" IG											
	0.264	0.345	0.118					AIR		CL	SS-D	G,S
	U-Factor 0.48			SHGC (<1) 0.49				VT (<1) 0.55			CR 42	
	141.094/142.094/148.094 HS / Opt 2 (ALU Refo KS/LS, No Foam): clr / air / lami (DS/DS 090 DS) 3/4" IG											
	0.118	0.345	0.264					AIR		CL	SS-D	G,S
	U-Factor 0.48			SHGC (<1) 0.51				VT (<1) 0.55			CR 42	
135	141.094/142.094/148.094 HS / Opt 2 (ALU Refo KS/LS, No Foam): clr / air / clr / air / clr (SS/SS/SS) 3/4" IG (P1-S)											
	0.087	0.250	0.087	0.250	0.087			AIR		CL	SS-D	N,S
	U-Factor 0.38			SHGC (N / <1) 0.55 / 0.49				VT (N / <1) 0.58 / 0.52			CR 52	
136	141.094/142.094/148.094 HS / Opt 2 (ALU Refo KS/LS, No Foam): clr / air / clr / air / clr (SS/SS/SS) 3/4" IG (P1-S)											
	0.087	0.250	0.087	0.250	0.087			AIR		CL	SS-D	G,S
	U-Factor 0.39			SHGC (<1) 0.49				VT (<1) 0.52			CR 52	
137	141.094/142.094/148.094 HS / Opt 2 (ALU Refo KS/LS, No Foam): E270 / air / clr (SS/SS) 3/4" IG											
	0.087	0.563	0.087					AIR	0.037(#2)	CL	SS-D	N,G,S
	U-Factor 0.32			SHGC (N / <1) 0.29 / 0.26				VT (N / <1) 0.54 / 0.48			CR 55	
	141.094/142.094/148.094 HS / Opt 2 (ALU Refo KS/LS, No Foam): clr / air / E270 (SS/SS) 3/4" IG											
	0.087	0.563	0.087					AIR	0.037(#3)	CL	SS-D	N,G,S
	U-Factor 0.32			SHGC (N / <1) 0.35 / 0.32				VT (N / <1) 0.54 / 0.48			CR 55	

NFRC 100/200/500 Summary Sheet
Windgate/Belmont/Hawthorne 2-Lite Slider

ID	Pane Thickness 1	Gap Width 1	Pane Thickness 2	Gap Width 2	Pane Thickness 3	Gap Width 3	Pane Thickness 4	Gap Fill	Low-e (Surface#)	Tint	Spacer	Grid Type
	U-Factor			Solar Heat Gain Coefficient (SHGC) Grids (None / <1 / >=1)				Visible Transmittance (VT) Grids (None / <1 / >=1)			Condensation Resistance	
138	141.094/142.094/148.094 HS / Opt 2 (ALU Refo KS/LS, No Foam): E270 / arg / clr (SS/SS) 3/4" IG											
	0.087	0.563	0.087					ARG90	0.037(#2)	CL	SS-D	N,G,S
	U-Factor 0.29			SHGC (N / <1) 0.28 / 0.26				VT (N / <1) 0.54 / 0.48			CR 59	
	141.094/142.094/148.094 HS / Opt 2 (ALU Refo KS/LS, No Foam): clr / arg / E270 (SS/SS) 3/4" IG											
	0.087	0.563	0.087					ARG90	0.037(#3)	CL	SS-D	N,G,S
	U-Factor 0.29			SHGC (N / <1) 0.36 / 0.32				VT (N / <1) 0.54 / 0.48			CR 59	
139	141.094/142.094/148.094 HS / Opt 2 (ALU Refo KS/LS, No Foam): E270 / air / clr (DS/DS) 3/4" IG											
	0.118	0.500	0.118					AIR	0.037(#2)	CL	SS-D	N,G,S
	U-Factor 0.32			SHGC (N / <1) 0.29 / 0.26				VT (N / <1) 0.53 / 0.47			CR 55	
	141.094/142.094/148.094 HS / Opt 2 (ALU Refo KS/LS, No Foam): clr / air / E270 (DS/DS) 3/4" IG											
	0.118	0.500	0.118					AIR	0.037(#3)	CL	SS-D	N,G,S
	U-Factor 0.32			SHGC (N / <1) 0.35 / 0.31				VT (N / <1) 0.53 / 0.47			CR 55	
140	141.094/142.094/148.094 HS / Opt 2 (ALU Refo KS/LS, No Foam): E270 / arg / clr (DS/DS) 3/4" IG											
	0.118	0.500	0.118					ARG90	0.037(#2)	CL	SS-D	N,G,S
	U-Factor 0.29			SHGC (N / <1) 0.28 / 0.25				VT (N / <1) 0.53 / 0.47			CR 58	
	141.094/142.094/148.094 HS / Opt 2 (ALU Refo KS/LS, No Foam): clr / arg / E270 (DS/DS) 3/4" IG											
	0.118	0.500	0.118					ARG90	0.037(#3)	CL	SS-D	N,G,S
	U-Factor 0.29			SHGC (N / <1) 0.35 / 0.32				VT (N / <1) 0.53 / 0.47			CR 58	
141	141.094/142.094/148.094 HS / Opt 2 (ALU Refo KS/LS, No Foam): lami / arg / E270 (DS 090 DS/DS) 3/4" IG											
	0.264	0.345	0.118					ARG90	0.037(#3)	CL	SS-D	N,S
	U-Factor 0.31			SHGC (N / <1) 0.33 / 0.30				VT (N / <1) 0.52 / 0.47			CR 56	
	141.094/142.094/148.094 HS / Opt 2 (ALU Refo KS/LS, No Foam): E270 / arg / lami (DS/DS 090 DS) 3/4" IG											
	0.118	0.345	0.264					ARG90	0.037(#2)	CL	SS-D	N,S
	U-Factor 0.31			SHGC (N / <1) 0.28 / 0.25				VT (N / <1) 0.52 / 0.47			CR 56	
142	141.094/142.094/148.094 HS / Opt 2 (ALU Refo KS/LS, No Foam): lami / arg / E270 (DS 090 DS/DS) 3/4" IG											
	0.264	0.345	0.118					ARG90	0.037(#3)	CL	SS-D	G,S
	U-Factor 0.32			SHGC (<1) 0.30				VT (<1) 0.47			CR 56	
	141.094/142.094/148.094 HS / Opt 2 (ALU Refo KS/LS, No Foam): E270 / arg / lami (DS/DS 090 DS) 3/4" IG											
	0.118	0.345	0.264					ARG90	0.037(#2)	CL	SS-D	G,S
	U-Factor 0.32			SHGC (<1) 0.25				VT (<1) 0.47			CR 56	

**NFRC 100/200/500 Summary Sheet
Windgate/Belmont/Hawthorne 2-Lite Slider**

ID	Pane Thickness 1	Gap Width 1	Pane Thickness 2	Gap Width 2	Pane Thickness 3	Gap Width 3	Pane Thickness 4	Gap Fill	Low-e (Surface#)	Tint	Spacer	Grid Type
	U-Factor			Solar Heat Gain Coefficient (SHGC) Grids (None / <1 / >=1)				Visible Transmittance (VT) Grids (None / <1 / >=1)			Condensation Resistance	
143	141.094/142.094/148.094 HS / Opt 2 (ALU Refo KS/LS, No Foam): E270 / arg / clr / arg / E270 (SS/SS/SS) 3/4" IG (SS-D)											
	0.087	0.266	0.087	0.266	0.087			ARG90	0.037(#2) / 0.037(#5)	CL	SS-D	N,S
	U-Factor 0.24			SHGC (N / <1) 0.24 / 0.22				VT (N / <1) 0.42 / 0.37			CR 65	
144	141.094/142.094/148.094 HS / Opt 2 (ALU Refo KS/LS, No Foam): E270 / arg / clr / arg / E270 (SS/SS/SS) 3/4" IG (SS-D)											
	0.087	0.266	0.087	0.266	0.087			ARG90	0.037(#2) / 0.037(#5)	CL	SS-D	G,S
	U-Factor 0.25			SHGC (<1) 0.22				VT (<1) 0.37			CR 65	
145	141.094/142.094/148.094 HS / Opt 2 (ALU Refo KS/LS, No Foam): E366 / air / clr (SS/SS) 3/4" IG											
	0.087	0.563	0.087					AIR	0.022(#2)	CL	SS-D	N,G,S
	U-Factor 0.32			SHGC (N / <1) 0.21 / 0.19				VT (N / <1) 0.50 / 0.44			CR 56	
	141.094/142.094/148.094 HS / Opt 2 (ALU Refo KS/LS, No Foam): clr / air / E366 (SS/SS) 3/4" IG											
	0.087	0.563	0.087					AIR	0.022(#3)	CL	SS-D	N,G,S
	U-Factor 0.32			SHGC (N / <1) 0.30 / 0.27				VT (N / <1) 0.50 / 0.44			CR 56	
146	141.094/142.094/148.094 HS / Opt 2 (ALU Refo KS/LS, No Foam): E366 / arg / clr (SS/SS) 3/4" IG											
	0.087	0.563	0.087					ARG90	0.022(#2)	CL	SS-D	N,G,S
	U-Factor 0.29			SHGC (N / <1) 0.21 / 0.19				VT (N / <1) 0.50 / 0.44			CR 59	
	141.094/142.094/148.094 HS / Opt 2 (ALU Refo KS/LS, No Foam): clr / arg / E366 (SS/SS) 3/4" IG											
	0.087	0.563	0.087					ARG90	0.022(#3)	CL	SS-D	N,G,S
	U-Factor 0.29			SHGC (N / <1) 0.30 / 0.27				VT (N / <1) 0.50 / 0.44			CR 59	
147	141.094/142.094/148.094 HS / Opt 2 (ALU Refo KS/LS, No Foam): E366 / air / clr (DS/DS) 3/4" IG											
	0.117	0.500	0.118					AIR	0.022(#2)	CL	SS-D	N,G,S
	U-Factor 0.32			SHGC (N / <1) 0.21 / 0.19				VT (N / <1) 0.49 / 0.44			CR 55	
	141.094/142.094/148.094 HS / Opt 2 (ALU Refo KS/LS, No Foam): clr / air / E366 (DS/DS) 3/4" IG											
	0.118	0.500	0.117					AIR	0.022(#3)	CL	SS-D	N,G,S
	U-Factor 0.32			SHGC (N / <1) 0.29 / 0.27				VT (N / <1) 0.49 / 0.44			CR 55	
148	141.094/142.094/148.094 HS / Opt 2 (ALU Refo KS/LS, No Foam): E366 / arg / clr (DS/DS) 3/4" IG											
	0.117	0.500	0.118					ARG90	0.022(#2)	CL	SS-D	N,G,S
	U-Factor 0.28			SHGC (N / <1) 0.21 / 0.19				VT (N / <1) 0.49 / 0.44			CR 58	
	141.094/142.094/148.094 HS / Opt 2 (ALU Refo KS/LS, No Foam): clr / arg / E366 (DS/DS) 3/4" IG											
	0.118	0.500	0.117					ARG90	0.022(#3)	CL	SS-D	N,G,S
	U-Factor 0.28			SHGC (N / <1) 0.30 / 0.27				VT (N / <1) 0.49 / 0.44			CR 58	

**NFRC 100/200/500 Summary Sheet
Windgate/Belmont/Hawthorne 2-Lite Slider**

ID	Pane Thickness 1	Gap Width 1	Pane Thickness 2	Gap Width 2	Pane Thickness 3	Gap Width 3	Pane Thickness 4	Gap Width 4	Gap Fill	Low-e (Surface#)	Tint	Spacer	Grid Type
	U-Factor			Solar Heat Gain Coefficient (SHGC) Grids (None / <1 / >=1)				Visible Transmittance (VT) Grids (None / <1 / >=1)			Condensation Resistance		
149	141.094/142.094/148.094 HS / Opt 2 (ALU Refo KS/LS, No Foam): lami / arg / E366 (DS 090 DS/DS) 3/4" IG												
	0.264	0.345	0.117						ARG90	0.022(#3)	CL	SS-D	N,S
	U-Factor 0.30			SHGC (N / <1) 0.29 / 0.26				VT (N / <1) 0.48 / 0.43			CR 56		
	141.094/142.094/148.094 HS / Opt 2 (ALU Refo KS/LS, No Foam): E366 / arg / lami (DS/DS 090 DS) 3/4" IG												
	0.117	0.345	0.264						ARG90	0.022(#2)	CL	SS-D	N,S
	U-Factor 0.30			SHGC (N / <1) 0.21 / 0.19				VT (N / <1) 0.48 / 0.43			CR 56		
150	141.094/142.094/148.094 HS / Opt 2 (ALU Refo KS/LS, No Foam): lami / arg / E366 (DS 090 DS/DS) 3/4" IG												
	0.264	0.345	0.117						ARG90	0.022(#3)	CL	SS-D	G,S
	U-Factor 0.32			SHGC (<1) 0.26				VT (<1) 0.43			CR 56		
	141.094/142.094/148.094 HS / Opt 2 (ALU Refo KS/LS, No Foam): E366 / arg / lami (DS/DS 090 DS) 3/4" IG												
	0.117	0.345	0.264						ARG90	0.022(#2)	CL	SS-D	G,S
	U-Factor 0.32			SHGC (<1) 0.19				VT (<1) 0.43			CR 56		
151	141.094/142.094/148.094 HS / Opt 2 (ALU Refo KS/LS, No Foam): E366 / arg / clr / arg / E366 (SS/SS/SS) 3/4" IG (SS-D)												
	0.087	0.266	0.087	0.266	0.087				ARG90	0.022(#2) / 0.022(#5)	CL	SS-D	N,S
	U-Factor 0.24			SHGC (N / <1) 0.19 / 0.17				VT (N / <1) 0.36 / 0.32			CR 65		
152	141.094/142.094/148.094 HS / Opt 2 (ALU Refo KS/LS, No Foam): E366 / arg / clr / arg / E366 (SS/SS/SS) 3/4" IG (SS-D)												
	0.087	0.266	0.087	0.266	0.087				ARG90	0.022(#2) / 0.022(#5)	CL	SS-D	G,S
	U-Factor 0.25			SHGC (<1) 0.17				VT (<1) 0.32			CR 65		
153	141.094/142.094/148.094 HS / Opt 2 (ALU Refo KS/LS, No Foam): clr / air / clr (SS/SS) 3/4" IG												
	0.087	0.563	0.087						AIR		CL	TS-D	N,G,S
	U-Factor 0.46			SHGC (N / <1) 0.61 / 0.54				VT (N / <1) 0.63 / 0.56			CR 44		
154	141.094/142.094/148.094 HS / Opt 2 (ALU Refo KS/LS, No Foam): clr / air / clr (DS/DS) 3/4" IG												
	0.118	0.500	0.118						AIR		CL	TS-D	N,G,S
	U-Factor 0.46			SHGC (N / <1) 0.59 / 0.53				VT (N / <1) 0.62 / 0.56			CR 43		
155	141.094/142.094/148.094 HS / Opt 2 (ALU Refo KS/LS, No Foam): clr / air / clr (5mm/DS) 3/4" IG												
	0.185	0.438	0.118						AIR		CL	TS-D	N,G,S
	U-Factor 0.47			SHGC (N / <1) 0.57 / 0.51				VT (N / <1) 0.62 / 0.55			CR 42		
156	141.094/142.094/148.094 HS / Opt 2 (ALU Refo KS/LS, No Foam): clr / air / clr (5mm/DS) 3/4" IG												
	0.185	0.438	0.118						AIR		CL	TS-D	G
	U-Factor 0.47			SHGC (<1) 0.51				VT (<1) 0.55			CR 42		

**NFRC 100/200/500 Summary Sheet
Windgate/Belmont/Hawthorne 2-Lite Slider**

ID	Pane Thickness 1	Gap Width 1	Pane Thickness 2	Gap Width 2	Pane Thickness 3	Gap Width 3	Pane Thickness 4	Gap Fill	Low-e (Surface#)	Tint	Spacer	Grid Type
	U-Factor			Solar Heat Gain Coefficient (SHGC) Grids (None / <1 / >=1)				Visible Transmittance (VT) Grids (None / <1 / >=1)			Condensation Resistance	
157	141.094/142.094/148.094 HS / Opt 2 (ALU Refo KS/LS, No Foam): lami / air / clr (DS 090 DS/DS) 3/4" IG											
	0.264	0.345	0.118					AIR		CL	TS-D	N,S
	U-Factor 0.48			SHGC (N / <1) 0.55 / 0.49				VT (N / <1) 0.61 / 0.55			CR 42	
	141.094/142.094/148.094 HS / Opt 2 (ALU Refo KS/LS, No Foam): clr / air / lami (DS/DS 090)DS 3/4" IG											
	0.118	0.345	0.264					AIR		CL	TS-D	N,S
	U-Factor 0.48			SHGC (N / <1) 0.57 / 0.51				VT (N / <1) 0.61 / 0.55			CR 42	
158	141.094/142.094/148.094 HS / Opt 2 (ALU Refo KS/LS, No Foam): lami / air / clr (DS 090 DS/DS) 3/4" IG											
	0.264	0.345	0.118					AIR		CL	TS-D	G,S
	U-Factor 0.48			SHGC (<1) 0.49				VT (<1) 0.55			CR 42	
	141.094/142.094/148.094 HS / Opt 2 (ALU Refo KS/LS, No Foam): clr / air / lami (DS/DS 090)DS 3/4" IG											
	0.118	0.345	0.264					AIR		CL	TS-D	G,S
	U-Factor 0.48			SHGC (<1) 0.51				VT (<1) 0.55			CR 42	
159	141.094/142.094/148.094 HS / Opt 2 (ALU Refo KS/LS, No Foam): clr / air / clr / air / clr (SS/SS/SS) 3/4" IG (P1-S)											
	0.087	0.250	0.087	0.250	0.087			AIR		CL	TS-D	N,S
	U-Factor 0.39			SHGC (N / <1) 0.55 / 0.49				VT (N / <1) 0.58 / 0.52			CR 50	
160	141.094/142.094/148.094 HS / Opt 2 (ALU Refo KS/LS, No Foam): clr / air / clr / air / clr (SS/SS/SS) 3/4" IG (P1-S)											
	0.087	0.250	0.087	0.250	0.087			AIR		CL	TS-D	G,S
	U-Factor 0.39			SHGC (<1) 0.49				VT (<1) 0.52			CR 50	
161	141.094/142.094/148.094 HS / Opt 2 (ALU Refo KS/LS, No Foam): 70/36 / air / clr (SS/SS) 3/4" IG											
	0.090	0.563	0.090					AIR	0.036(#2)	CL	TS-D	N,G,S
	U-Factor 0.33			SHGC (N / <1) 0.30 / 0.27				VT (N / <1) 0.54 / 0.48			CR 54	
	141.094/142.094/148.094 HS / Opt 2 (ALU Refo KS/LS, No Foam): clr / air / 70/36 (SS/SS) 3/4" IG											
	0.090	0.563	0.090					AIR	0.036(#3)	CL	TS-D	N,G,S
	U-Factor 0.33			SHGC (N / <1) 0.37 / 0.33				VT (N / <1) 0.54 / 0.48			CR 54	
162	141.094/142.094/148.094 HS / Opt 2 (ALU Refo KS/LS, No Foam): 70/36 / arg / clr (SS/SS) 3/4" IG											
	0.090	0.563	0.090					ARG90	0.036(#2)	CL	TS-D	N,G,S
	U-Factor 0.29			SHGC (N / <1) 0.30 / 0.27				VT (N / <1) 0.54 / 0.48			CR 57	
	141.094/142.094/148.094 HS / Opt 2 (ALU Refo KS/LS, No Foam): clr / arg / 70/36 (SS/SS) 3/4" IG											
	0.090	0.563	0.090					ARG90	0.036(#3)	CL	TS-D	N,G,S
	U-Factor 0.29			SHGC (N / <1) 0.38 / 0.34				VT (N / <1) 0.54 / 0.48			CR 57	

**NFRC 100/200/500 Summary Sheet
Windgate/Belmont/Hawthorne 2-Lite Slider**

ID	Pane Thickness 1	Gap Width 1	Pane Thickness 2	Gap Width 2	Pane Thickness 3	Gap Width 3	Pane Thickness 4	Gap Fill	Low-e (Surface#)	Tint	Spacer	Grid Type
	U-Factor			Solar Heat Gain Coefficient (SHGC) Grids (None / <1 / >=1)				Visible Transmittance (VT) Grids (None / <1 / >=1)			Condensation Resistance	
163	141.094/142.094/148.094 HS / Opt 2 (ALU Refo KS/LS, No Foam): 70/36 / air / clr (DS/DS) 3/4" IG											
	0.117	0.500	0.117					AIR	0.036(#2)	CL	TS-D	N,G,S
	U-Factor 0.32			SHGC (N / <1) 0.30 / 0.27				VT (N / <1) 0.53 / 0.47			CR 53	
	141.094/142.094/148.094 HS / Opt 2 (ALU Refo KS/LS, No Foam): clr / air / 70/36 (DS/DS) 3/4" IG											
	0.117	0.500	0.117					AIR	0.036(#3)	CL	TS-D	N,G,S
	U-Factor 0.32			SHGC (N / <1) 0.37 / 0.33				VT (N / <1) 0.53 / 0.47			CR 53	
164	141.094/142.094/148.094 HS / Opt 2 (ALU Refo KS/LS, No Foam): 70/36 / arg / clr (DS/DS) 3/4" IG											
	0.117	0.500	0.117					ARG90	0.036(#2)	CL	TS-D	N,G,S
	U-Factor 0.29			SHGC (N / <1) 0.29 / 0.27				VT (N / <1) 0.53 / 0.47			CR 56	
	141.094/142.094/148.094 HS / Opt 2 (ALU Refo KS/LS, No Foam): clr / arg / 70/36 (DS/DS) 3/4" IG											
	0.117	0.500	0.117					ARG90	0.036(#3)	CL	TS-D	N,G,S
	U-Factor 0.29			SHGC (N / <1) 0.37 / 0.33				VT (N / <1) 0.53 / 0.47			CR 56	
165	141.094/142.094/148.094 HS / Opt 2 (ALU Refo KS/LS, No Foam): lami / arg / 70/36 (DS 090 DS/DS) 3/4" IG											
	0.264	0.345	0.117					ARG90	0.036(#3)	CL	TS-D	N,S
	U-Factor 0.31			SHGC (N / <1) 0.35 / 0.32				VT (N / <1) 0.52 / 0.47			CR 55	
	141.094/142.094/148.094 HS / Opt 2 (ALU Refo KS/LS, No Foam): 70/36 / arg / lami (DS/DS 090 DS) 3/4" IG											
	0.117	0.345	0.264					ARG90	0.036(#2)	CL	TS-D	N,S
	U-Factor 0.31			SHGC (N / <1) 0.29 / 0.26				VT (N / <1) 0.52 / 0.47			CR 55	
166	141.094/142.094/148.094 HS / Opt 2 (ALU Refo KS/LS, No Foam): lami / arg / 70/36 (DS 090 DS/DS) 3/4" IG											
	0.264	0.345	0.117					ARG90	0.036(#3)	CL	TS-D	G,S
	U-Factor 0.32			SHGC (<1) 0.32				VT (<1) 0.47			CR 55	
	141.094/142.094/148.094 HS / Opt 2 (ALU Refo KS/LS, No Foam): 70/36 / arg / lami (DS/DS 090 DS) 3/4" IG											
	0.117	0.345	0.264					ARG90	0.036(#2)	CL	TS-D	G,S
	U-Factor 0.32			SHGC (<1) 0.26				VT (<1) 0.47			CR 55	
167	141.094/142.094/148.094 HS / Opt 2 (ALU Refo KS/LS, No Foam): 70/36 / arg / clr / arg / 70/36 (SS/SS/SS) 3/4" IG											
	0.090	0.250	0.090	0.250	0.090			ARG90	0.036(#2) / 0.036(#5)	CL	TS-D	N,S
	U-Factor 0.25			SHGC (N / <1) 0.26 / 0.23				VT (N / <1) 0.42 / 0.37			CR 62	
168	141.094/142.094/148.094 HS / Opt 2 (ALU Refo KS/LS, No Foam): 70/36 / arg / clr / arg / 70/36 (SS/SS/SS) 3/4" IG											
	0.090	0.250	0.090	0.250	0.090			ARG90	0.036(#2) / 0.036(#5)	CL	TS-D	G,S
	U-Factor 0.26			SHGC (<1) 0.23				VT (<1) 0.37			CR 62	

NFRC 100/200/500 Summary Sheet
Windgate/Belmont/Hawthorne 2-Lite Slider

ID	Pane Thickness 1	Gap Width 1	Pane Thickness 2	Gap Width 2	Pane Thickness 3	Gap Width 3	Pane Thickness 4	Gap Fill	Low-e (Surface#)	Tint	Spacer	Grid Type
	U-Factor			Solar Heat Gain Coefficient (SHGC) Grids (None / <1 / >=1)				Visible Transmittance (VT) Grids (None / <1 / >=1)			Condensation Resistance	
169	141.094/142.094/148.094 HS / Opt 2 (ALU Refo KS/LS, No Foam): 80/70 / air / clr (SS/SS) 3/4" IG											
	0.090	0.563	0.090					AIR	0.095(#2)	CL	TS-D	N,G,S
	U-Factor 0.34			SHGC (N / <1) 0.51 / 0.46				VT (N / <1) 0.62 / 0.55			CR 53	
	141.094/142.094/148.094 HS / Opt 2 (ALU Refo KS/LS, No Foam): clr / air / 80/70 (SS/SS) 3/4" IG											
	0.090	0.563	0.090					AIR	0.095(#3)	CL	TS-D	N,G,S
	U-Factor 0.34			SHGC (N / <1) 0.54 / 0.49				VT (N / <1) 0.62 / 0.55			CR 53	
170	141.094/142.094/148.094 HS / Opt 2 (ALU Refo KS/LS, No Foam): 80/70 / arg / clr (SS/SS) 3/4" IG											
	0.090	0.563	0.090					ARG90	0.095(#2)	CL	TS-D	N,G,S
	U-Factor 0.31			SHGC (N / <1) 0.51 / 0.46				VT (N / <1) 0.62 / 0.55			CR 56	
	141.094/142.094/148.094 HS / Opt 2 (ALU Refo KS/LS, No Foam): clr / arg / 80/70 (SS/SS) 3/4" IG											
	0.090	0.563	0.090					ARG90	0.095(#3)	CL	TS-D	N,G,S
	U-Factor 0.31			SHGC (N / <1) 0.54 / 0.49				VT (N / <1) 0.62 / 0.55			CR 56	
171	141.094/142.094/148.094 HS / Opt 2 (ALU Refo KS/LS, No Foam): 80/70 / air / clr (DS/DS) 3/4" IG											
	0.117	0.500	0.117					AIR	0.095(#2)	CL	TS-D	N,G,S
	U-Factor 0.34			SHGC (N / <1) 0.51 / 0.45				VT (N / <1) 0.61 / 0.55			CR 52	
	141.094/142.094/148.094 HS / Opt 2 (ALU Refo KS/LS, No Foam): clr / air / 80/70 (DS/DS) 3/4" IG											
	0.117	0.500	0.117					AIR	0.095(#3)	CL	TS-D	N,G,S
	U-Factor 0.34			SHGC (N / <1) 0.53 / 0.48				VT (N / <1) 0.61 / 0.55			CR 52	
172	141.094/142.094/148.094 HS / Opt 2 (ALU Refo KS/LS, No Foam): 80/70 / arg / clr (DS/DS) 3/4" IG											
	0.117	0.500	0.117					ARG90	0.095(#2)	CL	TS-D	N,G,S
	U-Factor 0.31			SHGC (N / <1) 0.51 / 0.45				VT (N / <1) 0.61 / 0.55			CR 55	
	141.094/142.094/148.094 HS / Opt 2 (ALU Refo KS/LS, No Foam): clr / arg / 80/70 (DS/DS) 3/4" IG											
	0.117	0.500	0.117					ARG90	0.095(#3)	CL	TS-D	N,G,S
	U-Factor 0.31			SHGC (N / <1) 0.54 / 0.48				VT (N / <1) 0.61 / 0.55			CR 55	
173	141.094/142.094/148.094 HS / Opt 2 (ALU Refo KS/LS, No Foam): lami / arg / 80/70 (DS 090 DS/DS) 3/4" IG											
	0.264	0.345	0.117					ARG90	0.095(#3)	CL	TS-D	N,S
	U-Factor 0.33			SHGC (N / <1) 0.49 / 0.44				VT (N / <1) 0.60 / 0.54			CR 53	
	141.094/142.094/148.094 HS / Opt 2 (ALU Refo KS/LS, No Foam): 80/70 / arg / lami (DS/DS 090 DS) 3/4" IG											
	0.117	0.345	0.264					ARG90	0.095(#2)	CL	TS-D	N,S
	U-Factor 0.33			SHGC (N / <1) 0.50 / 0.45				VT (N / <1) 0.60 / 0.54			CR 53	

NFRC 100/200/500 Summary Sheet
Windgate/Belmont/Hawthorne 2-Lite Slider

ID	Pane Thickness 1	Gap Width 1	Pane Thickness 2	Gap Width 2	Pane Thickness 3	Gap Width 3	Pane Thickness 4	Gap Fill	Low-e (Surface#)	Tint	Spacer	Grid Type
	U-Factor			Solar Heat Gain Coefficient (SHGC) Grids (None / <1 / >=1)				Visible Transmittance (VT) Grids (None / <1 / >=1)			Condensation Resistance	
174	141.094/142.094/148.094 HS / Opt 2 (ALU Refo KS/LS, No Foam): lami / arg / 80/70 (DS 090 DS/DS) 3/4" IG											
	0.264	0.345	0.117					ARG90	0.095(#3)	CL	TS-D	G,S
	U-Factor 0.34			SHGC (<1) 0.44				VT (<1) 0.54			CR 53	
	141.094/142.094/148.094 HS / Opt 2 (ALU Refo KS/LS, No Foam): 80/70 / arg / lami (DS/DS 090 DS) 3/4" IG											
	0.117	0.345	0.264					ARG90	0.095(#2)	CL	TS-D	G,S
	U-Factor 0.34			SHGC (<1) 0.45				VT (<1) 0.54			CR 53	
175	141.094/142.094/148.094 HS / Opt 2 (ALU Refo KS/LS, No Foam): 80/70 / arg / clr / arg / 80/70 (SS/SS/SS) 3/4" IG											
	0.090	0.250	0.090	0.250	0.090			ARG90	0.095(#2) / 0.095(#5)	CL	TS-D	N,S
	U-Factor 0.26			SHGC (N / <1) 0.45 / 0.41				VT (N / <1) 0.56 / 0.50			CR 61	
176	141.094/142.094/148.094 HS / Opt 2 (ALU Refo KS/LS, No Foam): 80/70 / arg / clr / arg / 80/70 (SS/SS/SS) 3/4" IG											
	0.090	0.250	0.090	0.250	0.090			ARG90	0.095(#2) / 0.095(#5)	CL	TS-D	G,S
	U-Factor 0.27			SHGC (<1) 0.41				VT (<1) 0.50			CR 61	
177	141.094/142.094/148.094 HS / Opt 3 (ALU Refo KS/LS/S, No Foam): clr / air / clr (SS/SS) 3/4" IG											
	0.087	0.563	0.087					AIR		CL	P1-S	N,G,S
	U-Factor 0.46			SHGC (N / <1) 0.61 / 0.54				VT (N / <1) 0.63 / 0.56			CR 45	
178	141.094/142.094/148.094 HS / Opt 3 (ALU Refo KS/LS/S, No Foam): clr / air / clr (DS/DS) 3/4" IG											
	0.118	0.500	0.118					AIR		CL	P1-S	N,G,S
	U-Factor 0.46			SHGC (N / <1) 0.59 / 0.53				VT (N / <1) 0.62 / 0.56			CR 45	
179	141.094/142.094/148.094 HS / Opt 3 (ALU Refo KS/LS/S, No Foam): clr / air / clr (5mm/DS) 3/4" IG											
	0.185	0.438	0.118					AIR		CL	P1-S	N,G,S
	U-Factor 0.46			SHGC (N / <1) 0.57 / 0.51				VT (N / <1) 0.62 / 0.55			CR 44	
180	141.094/142.094/148.094 HS / Opt 3 (ALU Refo KS/LS/S, No Foam): clr / air / clr (5mm/DS) 3/4" IG											
	0.185	0.438	0.118					AIR		CL	P1-S	G
	U-Factor 0.46			SHGC (<1) 0.51				VT (<1) 0.55			CR 44	
181	141.094/142.094/148.094 HS / Opt 3 (ALU Refo KS/LS/S, No Foam): lami / air / clr (DS 090 DS/DS) 3/4" IG											
	0.264	0.345	0.118					AIR		CL	P1-S	N,S
	U-Factor 0.47			SHGC (N / <1) 0.55 / 0.49				VT (N / <1) 0.61 / 0.55			CR 43	
	141.094/142.094/148.094 HS / Opt 3 (ALU Refo KS/LS/S, No Foam): clr / air / lami (DS/DS 090 DS) 3/4" IG											
	0.118	0.345	0.264					AIR		CL	P1-S	N,S
	U-Factor 0.47			SHGC (N / <1) 0.57 / 0.51				VT (N / <1) 0.61 / 0.55			CR 43	

**NFRC 100/200/500 Summary Sheet
Windgate/Belmont/Hawthorne 2-Lite Slider**

ID	Pane Thickness 1	Gap Width 1	Pane Thickness 2	Gap Width 2	Pane Thickness 3	Gap Width 3	Pane Thickness 4	Gap Fill	Low-e (Surface#)	Tint	Spacer	Grid Type
	U-Factor			Solar Heat Gain Coefficient (SHGC) Grids (None / <1 / >=1)				Visible Transmittance (VT) Grids (None / <1 / >=1)			Condensation Resistance	
182	141.094/142.094/148.094 HS / Opt 3 (ALU Refo KS/LS/S, No Foam): lami / air / clr (DS 090 DS/DS) 3/4" IG											
	0.264	0.345	0.118					AIR		CL	P1-S	G,S
	U-Factor 0.48			SHGC (<1) 0.49				VT (<1) 0.55			CR 43	
	141.094/142.094/148.094 HS / Opt 3 (ALU Refo KS/LS/S, No Foam): clr / air / lami (DS/DS 090 DS) 3/4" IG											
	0.118	0.345	0.264					AIR		CL	P1-S	G,S
	U-Factor 0.48			SHGC (<1) 0.51				VT (<1) 0.55			CR 43	
183	141.094/142.094/148.094 HS / Opt 3 (ALU Refo KS/LS/S, No Foam): clr / air / clr / air / clr (SS/SS/SS) 3/4" IG (P1-S)											
	0.087	0.250	0.087	0.250	0.087			AIR		CL	P1-S	N,S
	U-Factor 0.38			SHGC (N / <1) 0.55 / 0.49				VT (N / <1) 0.58 / 0.52			CR 53	
184	141.094/142.094/148.094 HS / Opt 3 (ALU Refo KS/LS/S, No Foam): clr / air / clr / air / clr (SS/SS/SS) 3/4" IG (P1-S)											
	0.087	0.250	0.087	0.250	0.087			AIR		CL	P1-S	G,S
	U-Factor 0.39			SHGC (<1) 0.49				VT (<1) 0.52			CR 53	
185	141.094/142.094/148.094 HS / Opt 3 (ALU Refo KS/LS/S, No Foam): E270 / air / clr (SS/SS) 3/4" IG											
	0.087	0.563	0.087					AIR	0.037(#2)	CL	P1-S	N,G,S
	U-Factor 0.32			SHGC (N / <1) 0.29 / 0.26				VT (N / <1) 0.54 / 0.48			CR 58	
	141.094/142.094/148.094 HS / Opt 3 (ALU Refo KS/LS/S, No Foam): clr / air / E270 (SS/SS) 3/4" IG											
	0.087	0.563	0.087					AIR	0.037(#3)	CL	P1-S	N,G,S
	U-Factor 0.32			SHGC (N / <1) 0.35 / 0.32				VT (N / <1) 0.54 / 0.48			CR 58	
186	141.094/142.094/148.094 HS / Opt 3 (ALU Refo KS/LS/S, No Foam): E270 / arg / clr (SS/SS) 3/4" IG											
	0.087	0.563	0.087					ARG90	0.037(#2)	CL	P1-S	N,G,S
	U-Factor 0.29			SHGC (N / <1) 0.28 / 0.26				VT (N / <1) 0.54 / 0.48			CR 61	
	141.094/142.094/148.094 HS / Opt 3 (ALU Refo KS/LS/S, No Foam): clr / arg / E270 (SS/SS) 3/4" IG											
	0.087	0.563	0.087					ARG90	0.037(#3)	CL	P1-S	N,G,S
	U-Factor 0.29			SHGC (N / <1) 0.36 / 0.32				VT (N / <1) 0.54 / 0.48			CR 61	
187	141.094/142.094/148.094 HS / Opt 3 (ALU Refo KS/LS/S, No Foam): E270 / air / clr (DS/DS) 3/4" IG											
	0.118	0.500	0.118					AIR	0.037(#2)	CL	P1-S	N,G,S
	U-Factor 0.32			SHGC (N / <1) 0.29 / 0.26				VT (N / <1) 0.53 / 0.47			CR 57	
	141.094/142.094/148.094 HS / Opt 3 (ALU Refo KS/LS/S, No Foam): clr / air / E270 (DS/DS) 3/4" IG											
	0.118	0.500	0.118					AIR	0.037(#3)	CL	P1-S	N,G,S
	U-Factor 0.32			SHGC (N / <1) 0.35 / 0.31				VT (N / <1) 0.53 / 0.47			CR 57	

**NFRC 100/200/500 Summary Sheet
Windgate/Belmont/Hawthorne 2-Lite Slider**

ID	Pane Thickness 1	Gap Width 1	Pane Thickness 2	Gap Width 2	Pane Thickness 3	Gap Width 3	Pane Thickness 4	Gap Fill	Low-e (Surface#)	Tint	Spacer	Grid Type
	U-Factor			Solar Heat Gain Coefficient (SHGC) Grids (None / <1 / >=1)				Visible Transmittance (VT) Grids (None / <1 / >=1)			Condensation Resistance	
188	141.094/142.094/148.094 HS / Opt 3 (ALU Refo KS/LS/S, No Foam): E270 / arg / clr (DS/DS) 3/4" IG											
	0.118	0.500	0.118					ARG90	0.037(#2)	CL	P1-S	N,G,S
	U-Factor 0.28			SHGC (N / <1) 0.28 / 0.25				VT (N / <1) 0.53 / 0.47			CR 61	
	141.094/142.094/148.094 HS / Opt 3 (ALU Refo KS/LS/S, No Foam): clr / arg / E270 (DS/DS) 3/4" IG											
	0.118	0.500	0.118					ARG90	0.037(#3)	CL	P1-S	N,G,S
	U-Factor 0.28			SHGC (N / <1) 0.35 / 0.32				VT (N / <1) 0.53 / 0.47			CR 61	
189	141.094/142.094/148.094 HS / Opt 3 (ALU Refo KS/LS/S, No Foam): lami / arg / E270 (DS 090 DS/DS) 3/4" IG											
	0.264	0.345	0.118					ARG90	0.037(#3)	CL	P1-S	N,S
	U-Factor 0.30			SHGC (N / <1) 0.33 / 0.30				VT (N / <1) 0.52 / 0.47			CR 58	
	141.094/142.094/148.094 HS / Opt 3 (ALU Refo KS/LS/S, No Foam): E270 / arg / lami (DS/DS 090 DS) 3/4" IG											
	0.118	0.345	0.264					ARG90	0.037(#2)	CL	P1-S	N,S
	U-Factor 0.30			SHGC (N / <1) 0.28 / 0.25				VT (N / <1) 0.52 / 0.47			CR 58	
190	141.094/142.094/148.094 HS / Opt 3 (ALU Refo KS/LS/S, No Foam): lami / arg / E270 (DS 090 DS/DS) 3/4" IG											
	0.264	0.345	0.118					ARG90	0.037(#3)	CL	P1-S	G,S
	U-Factor 0.32			SHGC (<1) 0.30				VT (<1) 0.47			CR 58	
	141.094/142.094/148.094 HS / Opt 3 (ALU Refo KS/LS/S, No Foam): E270 / arg / lami (DS/DS 090 DS) 3/4" IG											
	0.118	0.345	0.264					ARG90	0.037(#2)	CL	P1-S	G,S
	U-Factor 0.32			SHGC (<1) 0.25				VT (<1) 0.47			CR 58	
191	141.094/142.094/148.094 HS / Opt 3 (ALU Refo KS/LS/S, No Foam): E270 / arg / clr / arg / E270 (SS/SS/SS) 3/4" IG (P1-S)											
	0.087	0.250	0.087	0.250	0.087			ARG90	0.037(#2) / 0.037(#5)	CL	P1-S	N,S
	U-Factor 0.25			SHGC (N / <1) 0.24 / 0.22				VT (N / <1) 0.42 / 0.37			CR 66	
192	141.094/142.094/148.094 HS / Opt 3 (ALU Refo KS/LS/S, No Foam): E270 / arg / clr / arg / E270 (SS/SS/SS) 3/4" IG (P1-S)											
	0.087	0.250	0.087	0.250	0.087			ARG90	0.037(#2) / 0.037(#5)	CL	P1-S	G,S
	U-Factor 0.26			SHGC (<1) 0.22				VT (<1) 0.37			CR 66	
193	141.094/142.094/148.094 HS / Opt 3 (ALU Refo KS/LS/S, No Foam): E366 / air / clr (SS/SS) 3/4" IG											
	0.087	0.563	0.087					AIR	0.022(#2)	CL	P1-S	N,G,S
	U-Factor 0.32			SHGC (N / <1) 0.21 / 0.19				VT (N / <1) 0.50 / 0.44			CR 58	
	141.094/142.094/148.094 HS / Opt 3 (ALU Refo KS/LS/S, No Foam): clr / air / E366 (SS/SS) 3/4" IG											
	0.087	0.563	0.087					AIR	0.022(#3)	CL	P1-S	N,G,S
	U-Factor 0.32			SHGC (N / <1) 0.30 / 0.27				VT (N / <1) 0.50 / 0.44			CR 58	

**NFRC 100/200/500 Summary Sheet
Windgate/Belmont/Hawthorne 2-Lite Slider**

ID	Pane Thickness 1	Gap Width 1	Pane Thickness 2	Gap Width 2	Pane Thickness 3	Gap Width 3	Pane Thickness 4	Gap Fill	Low-e (Surface#)	Tint	Spacer	Grid Type
	U-Factor			Solar Heat Gain Coefficient (SHGC) Grids (None / <1 / >=1)				Visible Transmittance (VT) Grids (None / <1 / >=1)			Condensation Resistance	
194	141.094/142.094/148.094 HS / Opt 3 (ALU Refo KS/LS/S, No Foam): E366 / arg / clr (SS/SS) 3/4" IG											
	0.087	0.563	0.087					ARG90	0.022(#2)	CL	P1-S	N,G,S
	U-Factor 0.28			SHGC (N / <1) 0.21 / 0.19				VT (N / <1) 0.50 / 0.44			CR 62	
	141.094/142.094/148.094 HS / Opt 3 (ALU Refo KS/LS/S, No Foam): clr / arg / E366 (SS/SS) 3/4" IG											
	0.087	0.563	0.087					ARG90	0.022(#3)	CL	P1-S	N,G,S
	U-Factor 0.28			SHGC (N / <1) 0.30 / 0.27				VT (N / <1) 0.50 / 0.44			CR 62	
195	141.094/142.094/148.094 HS / Opt 3 (ALU Refo KS/LS/S, No Foam): E366 / air / clr (DS/DS) 3/4" IG											
	0.117	0.500	0.118					AIR	0.022(#2)	CL	P1-S	N,G,S
	U-Factor 0.31			SHGC (N / <1) 0.21 / 0.19				VT (N / <1) 0.49 / 0.44			CR 57	
	141.094/142.094/148.094 HS / Opt 3 (ALU Refo KS/LS/S, No Foam): clr / air / E366 (DS/DS) 3/4" IG											
	0.118	0.500	0.117					AIR	0.022(#3)	CL	P1-S	N,G,S
	U-Factor 0.31			SHGC (N / <1) 0.29 / 0.27				VT (N / <1) 0.49 / 0.44			CR 57	
196	141.094/142.094/148.094 HS / Opt 3 (ALU Refo KS/LS/S, No Foam): E366 / arg / clr (DS/DS) 3/4" IG											
	0.117	0.500	0.118					ARG90	0.022(#2)	CL	P1-S	N,G,S
	U-Factor 0.28			SHGC (N / <1) 0.21 / 0.19				VT (N / <1) 0.49 / 0.44			CR 61	
	141.094/142.094/148.094 HS / Opt 3 (ALU Refo KS/LS/S, No Foam): clr / arg / E366 (DS/DS) 3/4" IG											
	0.118	0.500	0.117					ARG90	0.022(#3)	CL	P1-S	N,G,S
	U-Factor 0.28			SHGC (N / <1) 0.30 / 0.27				VT (N / <1) 0.49 / 0.44			CR 61	
197	141.094/142.094/148.094 HS / Opt 3 (ALU Refo KS/LS/S, No Foam): lami / arg / E366 (DS 090 DS/DS) 3/4" IG											
	0.264	0.345	0.117					ARG90	0.022(#3)	CL	P1-S	N,S
	U-Factor 0.30			SHGC (N / <1) 0.29 / 0.26				VT (N / <1) 0.48 / 0.43			CR 59	
	141.094/142.094/148.094 HS / Opt 3 (ALU Refo KS/LS/S, No Foam): E366 / arg / lami (DS/DS 090 DS) 3/4" IG											
	0.117	0.345	0.264					ARG90	0.022(#2)	CL	P1-S	N,S
	U-Factor 0.30			SHGC (N / <1) 0.21 / 0.19				VT (N / <1) 0.48 / 0.43			CR 59	
198	141.094/142.094/148.094 HS / Opt 3 (ALU Refo KS/LS/S, No Foam): lami / arg / E366 (DS 090 DS/DS) 3/4" IG											
	0.264	0.345	0.117					ARG90	0.022(#3)	CL	P1-S	G,S
	U-Factor 0.31			SHGC (<1) 0.26				VT (<1) 0.43			CR 59	
	141.094/142.094/148.094 HS / Opt 3 (ALU Refo KS/LS/S, No Foam): E366 / arg / lami (DS/DS 090 DS) 3/4" IG											
	0.117	0.345	0.264					ARG90	0.022(#2)	CL	P1-S	G,S
	U-Factor 0.31			SHGC (<1) 0.19				VT (<1) 0.43			CR 59	

NFRC 100/200/500 Summary Sheet
Windgate/Belmont/Hawthorne 2-Lite Slider

ID	Pane Thickness 1	Gap Width 1	Pane Thickness 2	Gap Width 2	Pane Thickness 3	Gap Width 3	Pane Thickness 4	Gap Fill	Low-e (Surface#)	Tint	Spacer	Grid Type
	U-Factor			Solar Heat Gain Coefficient (SHGC) Grids (None / <1 / >=1)				Visible Transmittance (VT) Grids (None / <1 / >=1)			Condensation Resistance	
199	141.094/142.094/148.094 HS / Opt 3 (ALU Refo KS/LS/S, No Foam): E366 / arg / clr / arg / E366 (SS/SS/SS) 3/4" IG (P1-S)											
	0.087	0.250	0.087	0.250	0.087			ARG90	0.022(#2) / 0.022(#5)	CL	P1-S	N,S
	U-Factor 0.24			SHGC (N / <1) 0.19 / 0.17				VT (N / <1) 0.36 / 0.32			CR 67	
200	141.094/142.094/148.094 HS / Opt 3 (ALU Refo KS/LS/S, No Foam): E366 / arg / clr / arg / E366 (SS/SS/SS) 3/4" IG (P1-S)											
	0.087	0.250	0.087	0.250	0.087			ARG90	0.022(#2) / 0.022(#5)	CL	P1-S	G,S
	U-Factor 0.25			SHGC (<1) 0.17				VT (<1) 0.32			CR 67	
201	141.094/142.094/148.094 HS / Opt 3 (ALU Refo KS/LS/S, No Foam): 70/36 / air / clr (SS/SS) 3/4" IG											
	0.090	0.563	0.090					AIR	0.036(#2)	CL	P1-S	N,G,S
	U-Factor 0.32			SHGC (N / <1) 0.30 / 0.27				VT (N / <1) 0.54 / 0.48			CR 58	
	141.094/142.094/148.094 HS / Opt 3 (ALU Refo KS/LS/S, No Foam): clr / air / 70/36 (SS/SS) 3/4" IG											
	0.090	0.563	0.090					AIR	0.036(#3)	CL	P1-S	N,G,S
	U-Factor 0.32			SHGC (N / <1) 0.37 / 0.33				VT (N / <1) 0.54 / 0.48			CR 58	
202	141.094/142.094/148.094 HS / Opt 3 (ALU Refo KS/LS/S, No Foam): 70/36 / arg / clr (SS/SS) 3/4" IG											
	0.090	0.563	0.090					ARG90	0.036(#2)	CL	P1-S	N,G,S
	U-Factor 0.29			SHGC (N / <1) 0.30 / 0.27				VT (N / <1) 0.54 / 0.48			CR 61	
	141.094/142.094/148.094 HS / Opt 3 (ALU Refo KS/LS/S, No Foam): clr / arg / 70/36 (SS/SS) 3/4" IG											
	0.090	0.563	0.090					ARG90	0.036(#3)	CL	P1-S	N,G,S
	U-Factor 0.29			SHGC (N / <1) 0.38 / 0.34				VT (N / <1) 0.54 / 0.48			CR 61	
203	141.094/142.094/148.094 HS / Opt 3 (ALU Refo KS/LS/S, No Foam): 70/36 / air / clr (DS/DS) 3/4" IG											
	0.117	0.500	0.117					AIR	0.036(#2)	CL	P1-S	N,G,S
	U-Factor 0.32			SHGC (N / <1) 0.30 / 0.27				VT (N / <1) 0.53 / 0.47			CR 57	
	141.094/142.094/148.094 HS / Opt 3 (ALU Refo KS/LS/S, No Foam): clr / air / 70/36 (DS/DS) 3/4" IG											
	0.117	0.500	0.117					AIR	0.036(#3)	CL	P1-S	N,G,S
	U-Factor 0.32			SHGC (N / <1) 0.37 / 0.33				VT (N / <1) 0.53 / 0.47			CR 57	
204	141.094/142.094/148.094 HS / Opt 3 (ALU Refo KS/LS/S, No Foam): 70/36 / arg / clr (DS/DS) 3/4" IG											
	0.117	0.500	0.117					ARG90	0.036(#2)	CL	P1-S	N,G,S
	U-Factor 0.28			SHGC (N / <1) 0.29 / 0.27				VT (N / <1) 0.53 / 0.47			CR 61	
	141.094/142.094/148.094 HS / Opt 3 (ALU Refo KS/LS/S, No Foam): clr / arg / 70/36 (DS/DS) 3/4" IG											
	0.117	0.500	0.117					ARG90	0.036(#3)	CL	P1-S	N,G,S
	U-Factor 0.28			SHGC (N / <1) 0.37 / 0.33				VT (N / <1) 0.53 / 0.47			CR 61	

NFRC 100/200/500 Summary Sheet
Windgate/Belmont/Hawthorne 2-Lite Slider

ID	Pane Thickness 1	Gap Width 1	Pane Thickness 2	Gap Width 2	Pane Thickness 3	Gap Width 3	Pane Thickness 4	Gap Fill	Low-e (Surface#)	Tint	Spacer	Grid Type
	U-Factor			Solar Heat Gain Coefficient (SHGC) Grids (None / <1 / >=1)				Visible Transmittance (VT) Grids (None / <1 / >=1)			Condensation Resistance	
205	141.094/142.094/148.094 HS / Opt 3 (ALU Refo KS/LS/S, No Foam): lami / arg / 70/36 (DS 090 DS/DS) 3/4" IG											
	0.264	0.345	0.117					ARG90	0.036(#3)	CL	P1-S	N,S
	U-Factor 0.30			SHGC (N / <1) 0.35 / 0.32				VT (N / <1) 0.52 / 0.47			CR 58	
	141.094/142.094/148.094 HS / Opt 3 (ALU Refo KS/LS/S, No Foam): 70/36 / arg / lami (DS/DS 090 DS) 3/4" IG											
	0.117	0.345	0.264					ARG90	0.036(#2)	CL	P1-S	N,S
	U-Factor 0.30			SHGC (N / <1) 0.29 / 0.26				VT (N / <1) 0.52 / 0.47			CR 58	
206	141.094/142.094/148.094 HS / Opt 3 (ALU Refo KS/LS/S, No Foam): lami / arg / 70/36 (DS 090 DS/DS) 3/4" IG											
	0.264	0.345	0.117					ARG90	0.036(#3)	CL	P1-S	G,S
	U-Factor 0.32			SHGC (<1) 0.32				VT (<1) 0.47			CR 58	
	141.094/142.094/148.094 HS / Opt 3 (ALU Refo KS/LS/S, No Foam): 70/36 / arg / lami (DS/DS 090 DS) 3/4" IG											
	0.117	0.345	0.264					ARG90	0.036(#2)	CL	P1-S	G,S
	U-Factor 0.32			SHGC (<1) 0.26				VT (<1) 0.47			CR 58	
207	141.094/142.094/148.094 HS / Opt 3 (ALU Refo KS/LS/S, No Foam): 70/36 / arg / clr / arg / 70/36 (SS/SS/SS) 3/4" IG											
	0.090	0.250	0.090	0.250	0.090			ARG90	0.036(#2) / 0.036(#5)	CL	P1-S	N,S
	U-Factor 0.25			SHGC (N / <1) 0.26 / 0.23				VT (N / <1) 0.42 / 0.37			CR 66	
208	141.094/142.094/148.094 HS / Opt 3 (ALU Refo KS/LS/S, No Foam): 70/36 / arg / clr / arg / 70/36 (SS/SS/SS) 3/4" IG											
	0.090	0.250	0.090	0.250	0.090			ARG90	0.036(#2) / 0.036(#5)	CL	P1-S	G,S
	U-Factor 0.26			SHGC (<1) 0.23				VT (<1) 0.37			CR 66	
209	141.094/142.094/148.094 HS / Opt 3 (ALU Refo KS/LS/S, No Foam): 80/70 / air / clr (SS/SS) 3/4" IG											
	0.090	0.563	0.090					AIR	0.095(#2)	CL	P1-S	N,G,S
	U-Factor 0.34			SHGC (N / <1) 0.51 / 0.46				VT (N / <1) 0.62 / 0.55			CR 56	
	141.094/142.094/148.094 HS / Opt 3 (ALU Refo KS/LS/S, No Foam): clr / air / 80/70 (SS/SS) 3/4" IG											
	0.090	0.563	0.090					AIR	0.095(#3)	CL	P1-S	N,G,S
	U-Factor 0.34			SHGC (N / <1) 0.54 / 0.49				VT (N / <1) 0.62 / 0.55			CR 56	
210	141.094/142.094/148.094 HS / Opt 3 (ALU Refo KS/LS/S, No Foam): 80/70 / arg / clr (SS/SS) 3/4" IG											
	0.090	0.563	0.090					ARG90	0.095(#2)	CL	P1-S	N,G,S
	U-Factor 0.30			SHGC (N / <1) 0.51 / 0.46				VT (N / <1) 0.62 / 0.55			CR 60	
	141.094/142.094/148.094 HS / Opt 3 (ALU Refo KS/LS/S, No Foam): clr / arg / 80/70 (SS/SS) 3/4" IG											
	0.090	0.563	0.090					ARG90	0.095(#3)	CL	P1-S	N,G,S
	U-Factor 0.30			SHGC (N / <1) 0.54 / 0.49				VT (N / <1) 0.62 / 0.55			CR 60	

NFRC 100/200/500 Summary Sheet
Windgate/Belmont/Hawthorne 2-Lite Slider

ID	Pane Thickness 1	Gap Width 1	Pane Thickness 2	Gap Width 2	Pane Thickness 3	Gap Width 3	Pane Thickness 4	Gap Fill	Low-e (Surface#)	Tint	Spacer	Grid Type
	U-Factor			Solar Heat Gain Coefficient (SHGC) Grids (None / <1 / >=1)				Visible Transmittance (VT) Grids (None / <1 / >=1)			Condensation Resistance	
211	141.094/142.094/148.094 HS / Opt 3 (ALU Refo KS/LS/S, No Foam): 80/70 / air / clr (DS/DS) 3/4" IG											
	0.117	0.500	0.117					AIR	0.095(#2)	CL	P1-S	N,G,S
	U-Factor 0.33			SHGC (N / <1) 0.51 / 0.45				VT (N / <1) 0.61 / 0.55			CR 56	
	141.094/142.094/148.094 HS / Opt 3 (ALU Refo KS/LS/S, No Foam): clr / air / 80/70 (DS/DS) 3/4" IG											
	0.117	0.500	0.117					AIR	0.095(#3)	CL	P1-S	N,G,S
	U-Factor 0.33			SHGC (N / <1) 0.53 / 0.48				VT (N / <1) 0.61 / 0.55			CR 56	
212	141.094/142.094/148.094 HS / Opt 3 (ALU Refo KS/LS/S, No Foam): 80/70 / arg / clr (DS/DS) 3/4" IG											
	0.117	0.500	0.117					ARG90	0.095(#2)	CL	P1-S	N,G,S
	U-Factor 0.30			SHGC (N / <1) 0.51 / 0.45				VT (N / <1) 0.61 / 0.55			CR 59	
	141.094/142.094/148.094 HS / Opt 3 (ALU Refo KS/LS/S, No Foam): clr / arg / 80/70 (DS/DS) 3/4" IG											
	0.117	0.500	0.117					ARG90	0.095(#3)	CL	P1-S	N,G,S
	U-Factor 0.30			SHGC (N / <1) 0.54 / 0.48				VT (N / <1) 0.61 / 0.55			CR 59	
213	141.094/142.094/148.094 HS / Opt 3 (ALU Refo KS/LS/S, No Foam): lami / arg / 80/70 (DS 090 DS/DS) 3/4" IG											
	0.264	0.345	0.117					ARG90	0.095(#3)	CL	P1-S	N,S
	U-Factor 0.32			SHGC (N / <1) 0.49 / 0.44				VT (N / <1) 0.60 / 0.54			CR 57	
	141.094/142.094/148.094 HS / Opt 3 (ALU Refo KS/LS/S, No Foam): 80/70 / arg / lami (DS/DS 090 DS) 3/4" IG											
	0.117	0.345	0.264					ARG90	0.095(#2)	CL	P1-S	N,S
	U-Factor 0.32			SHGC (N / <1) 0.50 / 0.45				VT (N / <1) 0.60 / 0.54			CR 57	
214	141.094/142.094/148.094 HS / Opt 3 (ALU Refo KS/LS/S, No Foam): lami / arg / 80/70 (DS 090 DS/DS) 3/4" IG											
	0.264	0.345	0.117					ARG90	0.095(#3)	CL	P1-S	G,S
	U-Factor 0.33			SHGC (<1) 0.44				VT (<1) 0.54			CR 57	
	141.094/142.094/148.094 HS / Opt 3 (ALU Refo KS/LS/S, No Foam): 80/70 / arg / lami (DS/DS 090 DS) 3/4" IG											
	0.117	0.345	0.264					ARG90	0.095(#2)	CL	P1-S	G,S
	U-Factor 0.33			SHGC (<1) 0.45				VT (<1) 0.54			CR 57	
215	141.094/142.094/148.094 HS / Opt 3 (ALU Refo KS/LS/S, No Foam): 80/70 / arg / clr / arg / 80/70 (SS/SS/SS) 3/4" IG											
	0.090	0.250	0.090	0.250	0.090			ARG90	0.095(#2) / 0.095(#5)	CL	P1-S	N,S
	U-Factor 0.26			SHGC (N / <1) 0.45 / 0.41				VT (N / <1) 0.56 / 0.50			CR 65	
216	141.094/142.094/148.094 HS / Opt 3 (ALU Refo KS/LS/S, No Foam): 80/70 / arg / clr / arg / 80/70 (SS/SS/SS) 3/4" IG											
	0.090	0.250	0.090	0.250	0.090			ARG90	0.095(#2) / 0.095(#5)	CL	P1-S	G,S
	U-Factor 0.27			SHGC (<1) 0.41				VT (<1) 0.50			CR 65	

NFRC 100/200/500 Summary Sheet
Windgate/Belmont/Hawthorne 2-Lite Slider

ID	Pane Thickness 1	Gap Width 1	Pane Thickness 2	Gap Width 2	Pane Thickness 3	Gap Width 3	Pane Thickness 4	Gap Fill	Low-e (Surface#)	Tint	Spacer	Grid Type
	U-Factor			Solar Heat Gain Coefficient (SHGC) Grids (None / <1 / >=1)				Visible Transmittance (VT) Grids (None / <1 / >=1)			Condensation Resistance	
217	141.094/142.094/148.094 HS / Opt 3 (ALU Refo KS/LS/S, No Foam): clr / air / clr (SS/SS) 3/4" IG											
	0.087	0.563	0.087					AIR		CL	SS-D	N,G,S
	U-Factor 0.46			SHGC (N / <1) 0.61 / 0.54				VT (N / <1) 0.63 / 0.56			CR 44	
218	141.094/142.094/148.094 HS / Opt 3 (ALU Refo KS/LS/S, No Foam): clr / air / clr (DS/DS) 3/4" IG											
	0.118	0.500	0.118					AIR		CL	SS-D	N,G,S
	U-Factor 0.46			SHGC (N / <1) 0.59 / 0.53				VT (N / <1) 0.62 / 0.56			CR 43	
219	141.094/142.094/148.094 HS / Opt 3 (ALU Refo KS/LS/S, No Foam): clr / air / clr (5mm/DS) 3/4" IG											
	0.185	0.438	0.118					AIR		CL	SS-D	N,G,S
	U-Factor 0.47			SHGC (N / <1) 0.57 / 0.51				VT (N / <1) 0.62 / 0.55			CR 43	
220	141.094/142.094/148.094 HS / Opt 3 (ALU Refo KS/LS/S, No Foam): clr / air / clr (5mm/DS) 3/4" IG											
	0.185	0.438	0.118					AIR		CL	SS-D	G
	U-Factor 0.47			SHGC (<1) 0.51				VT (<1) 0.55			CR 43	
221	141.094/142.094/148.094 HS / Opt 3 (ALU Refo KS/LS/S, No Foam): lami / air / clr (DS 090 DS/DS) 3/4" IG											
	0.264	0.345	0.118					AIR		CL	SS-D	N,S
	U-Factor 0.48			SHGC (N / <1) 0.55 / 0.49				VT (N / <1) 0.61 / 0.55			CR 42	
	141.094/142.094/148.094 HS / Opt 3 (ALU Refo KS/LS/S, No Foam): clr / air / lami (DS/DS 090 DS) 3/4" IG											
	0.118	0.345	0.264					AIR		CL	SS-D	N,S
	U-Factor 0.48			SHGC (N / <1) 0.57 / 0.51				VT (N / <1) 0.61 / 0.55			CR 42	
222	141.094/142.094/148.094 HS / Opt 3 (ALU Refo KS/LS/S, No Foam): lami / air / clr (DS 090 DS/DS) 3/4" IG											
	0.264	0.345	0.118					AIR		CL	SS-D	G,S
	U-Factor 0.49			SHGC (<1) 0.49				VT (<1) 0.55			CR 42	
	141.094/142.094/148.094 HS / Opt 3 (ALU Refo KS/LS/S, No Foam): clr / air / lami (DS/DS 090 DS) 3/4" IG											
	0.118	0.345	0.264					AIR		CL	SS-D	G,S
	U-Factor 0.49			SHGC (<1) 0.51				VT (<1) 0.55			CR 42	
223	141.094/142.094/148.094 HS / Opt 3 (ALU Refo KS/LS/S, No Foam): clr / air / clr / air / clr (SS/SS/SS) 3/4" IG (P1-S)											
	0.087	0.250	0.087	0.250	0.087			AIR		CL	SS-D	N,S
	U-Factor 0.39			SHGC (N / <1) 0.55 / 0.49				VT (N / <1) 0.58 / 0.52			CR 52	
224	141.094/142.094/148.094 HS / Opt 3 (ALU Refo KS/LS/S, No Foam): clr / air / clr / air / clr (SS/SS/SS) 3/4" IG (P1-S)											
	0.087	0.250	0.087	0.250	0.087			AIR		CL	SS-D	G,S
	U-Factor 0.40			SHGC (<1) 0.49				VT (<1) 0.52			CR 52	

**NFRC 100/200/500 Summary Sheet
Windgate/Belmont/Hawthorne 2-Lite Slider**

ID	Pane Thickness 1	Gap Width 1	Pane Thickness 2	Gap Width 2	Pane Thickness 3	Gap Width 3	Pane Thickness 4	Gap Fill	Low-e (Surface#)	Tint	Spacer	Grid Type
	U-Factor			Solar Heat Gain Coefficient (SHGC) Grids (None / <1 / >=1)				Visible Transmittance (VT) Grids (None / <1 / >=1)			Condensation Resistance	
225	141.094/142.094/148.094 HS / Opt 3 (ALU Refo KS/LS/S, No Foam): E270 / air / clr (SS/SS) 3/4" IG											
	0.087	0.563	0.087					AIR	0.037(#2)	CL	SS-D	N,G,S
	U-Factor 0.33			SHGC (N / <1) 0.29 / 0.26				VT (N / <1) 0.54 / 0.48			CR 55	
	141.094/142.094/148.094 HS / Opt 3 (ALU Refo KS/LS/S, No Foam): clr / air / E270 (SS/SS) 3/4" IG											
	0.087	0.563	0.087					AIR	0.037(#3)	CL	SS-D	N,G,S
	U-Factor 0.33			SHGC (N / <1) 0.35 / 0.32				VT (N / <1) 0.54 / 0.48			CR 55	
226	141.094/142.094/148.094 HS / Opt 3 (ALU Refo KS/LS/S, No Foam): E270 / arg / clr (SS/SS) 3/4" IG											
	0.087	0.563	0.087					ARG90	0.037(#2)	CL	SS-D	N,G,S
	U-Factor 0.30			SHGC (N / <1) 0.28 / 0.26				VT (N / <1) 0.54 / 0.48			CR 58	
	141.094/142.094/148.094 HS / Opt 3 (ALU Refo KS/LS/S, No Foam): clr / arg / E270 (SS/SS) 3/4" IG											
	0.087	0.563	0.087					ARG90	0.037(#3)	CL	SS-D	N,G,S
	U-Factor 0.30			SHGC (N / <1) 0.36 / 0.32				VT (N / <1) 0.54 / 0.48			CR 58	
227	141.094/142.094/148.094 HS / Opt 3 (ALU Refo KS/LS/S, No Foam): E270 / air / clr (DS/DS) 3/4" IG											
	0.118	0.500	0.118					AIR	0.037(#2)	CL	SS-D	N,G,S
	U-Factor 0.33			SHGC (N / <1) 0.29 / 0.26				VT (N / <1) 0.53 / 0.47			CR 54	
	141.094/142.094/148.094 HS / Opt 3 (ALU Refo KS/LS/S, No Foam): clr / air / E270 (DS/DS) 3/4" IG											
	0.118	0.500	0.118					AIR	0.037(#3)	CL	SS-D	N,G,S
	U-Factor 0.33			SHGC (N / <1) 0.35 / 0.31				VT (N / <1) 0.53 / 0.47			CR 54	
228	141.094/142.094/148.094 HS / Opt 3 (ALU Refo KS/LS/S, No Foam): E270 / arg / clr (DS/DS) 3/4" IG											
	0.118	0.500	0.118					ARG90	0.037(#2)	CL	SS-D	N,G,S
	U-Factor 0.29			SHGC (N / <1) 0.28 / 0.25				VT (N / <1) 0.53 / 0.47			CR 58	
	141.094/142.094/148.094 HS / Opt 3 (ALU Refo KS/LS/S, No Foam): clr / arg / E270 (DS/DS) 3/4" IG											
	0.118	0.500	0.118					ARG90	0.037(#3)	CL	SS-D	N,G,S
	U-Factor 0.29			SHGC (N / <1) 0.35 / 0.32				VT (N / <1) 0.53 / 0.47			CR 58	
229	141.094/142.094/148.094 HS / Opt 3 (ALU Refo KS/LS/S, No Foam): lami / arg / E270 (DS 090 DS/DS) 3/4" IG											
	0.264	0.345	0.118					ARG90	0.037(#3)	CL	SS-D	N,S
	U-Factor 0.31			SHGC (N / <1) 0.33 / 0.30				VT (N / <1) 0.52 / 0.47			CR 55	
	141.094/142.094/148.094 HS / Opt 3 (ALU Refo KS/LS/S, No Foam): E270 / arg / lami (DS/DS 090 DS) 3/4" IG											
	0.118	0.345	0.264					ARG90	0.037(#2)	CL	SS-D	N,S
	U-Factor 0.31			SHGC (N / <1) 0.28 / 0.25				VT (N / <1) 0.52 / 0.47			CR 55	

NFRC 100/200/500 Summary Sheet
Windgate/Belmont/Hawthorne 2-Lite Slider

ID	Pane Thickness 1	Gap Width 1	Pane Thickness 2	Gap Width 2	Pane Thickness 3	Gap Width 3	Pane Thickness 4	Gap Fill	Low-e (Surface#)	Tint	Spacer	Grid Type
	U-Factor			Solar Heat Gain Coefficient (SHGC) Grids (None / <1 / >=1)				Visible Transmittance (VT) Grids (None / <1 / >=1)			Condensation Resistance	
230	141.094/142.094/148.094 HS / Opt 3 (ALU Refo KS/LS/S, No Foam): lami / arg / E270 (DS 090 DS/DS) 3/4" IG											
	0.264	0.345	0.118					ARG90	0.037(#3)	CL	SS-D	G,S
	U-Factor 0.33			SHGC (<1) 0.30				VT (<1) 0.47			CR 55	
	141.094/142.094/148.094 HS / Opt 3 (ALU Refo KS/LS/S, No Foam): E270 / arg / lami (DS/DS 090 DS) 3/4" IG											
	0.118	0.345	0.264					ARG90	0.037(#2)	CL	SS-D	G,S
	U-Factor 0.33			SHGC (<1) 0.25				VT (<1) 0.47			CR 55	
231	141.094/142.094/148.094 HS / Opt 3 (ALU Refo KS/LS/S, No Foam): E270 / arg / clr / arg / E270 (SS/SS/SS) 3/4" IG (SS-D)											
	0.087	0.266	0.087	0.266	0.087			ARG90	0.037(#2) / 0.037(#5)	CL	SS-D	N,S
	U-Factor 0.25			SHGC (N / <1) 0.24 / 0.22				VT (N / <1) 0.42 / 0.37			CR 64	
232	141.094/142.094/148.094 HS / Opt 3 (ALU Refo KS/LS/S, No Foam): E270 / arg / clr / arg / E270 (SS/SS/SS) 3/4" IG (SS-D)											
	0.087	0.266	0.087	0.266	0.087			ARG90	0.037(#2) / 0.037(#5)	CL	SS-D	G,S
	U-Factor 0.26			SHGC (<1) 0.22				VT (<1) 0.37			CR 64	
233	141.094/142.094/148.094 HS / Opt 3 (ALU Refo KS/LS/S, No Foam): E366 / air / clr (SS/SS) 3/4" IG											
	0.087	0.563	0.087					AIR	0.022(#2)	CL	SS-D	N,G,S
	U-Factor 0.33			SHGC (N / <1) 0.21 / 0.19				VT (N / <1) 0.50 / 0.44			CR 55	
	141.094/142.094/148.094 HS / Opt 3 (ALU Refo KS/LS/S, No Foam): clr / air / E366 (SS/SS) 3/4" IG											
	0.087	0.563	0.087					AIR	0.022(#3)	CL	SS-D	N,G,S
	U-Factor 0.33			SHGC (N / <1) 0.30 / 0.27				VT (N / <1) 0.50 / 0.44			CR 55	
234	141.094/142.094/148.094 HS / Opt 3 (ALU Refo KS/LS/S, No Foam): E366 / arg / clr (SS/SS) 3/4" IG											
	0.087	0.563	0.087					ARG90	0.022(#2)	CL	SS-D	N,G,S
	U-Factor 0.29			SHGC (N / <1) 0.21 / 0.19				VT (N / <1) 0.50 / 0.44			CR 59	
	141.094/142.094/148.094 HS / Opt 3 (ALU Refo KS/LS/S, No Foam): clr / arg / E366 (SS/SS) 3/4" IG											
	0.087	0.563	0.087					ARG90	0.022(#3)	CL	SS-D	N,G,S
	U-Factor 0.29			SHGC (N / <1) 0.30 / 0.27				VT (N / <1) 0.50 / 0.44			CR 59	
235	141.094/142.094/148.094 HS / Opt 3 (ALU Refo KS/LS/S, No Foam): E366 / air / clr (DS/DS) 3/4" IG											
	0.117	0.500	0.118					AIR	0.022(#2)	CL	SS-D	N,G,S
	U-Factor 0.32			SHGC (N / <1) 0.21 / 0.19				VT (N / <1) 0.49 / 0.44			CR 55	
	141.094/142.094/148.094 HS / Opt 3 (ALU Refo KS/LS/S, No Foam): clr / air / E366 (DS/DS) 3/4" IG											
	0.118	0.500	0.117					AIR	0.022(#3)	CL	SS-D	N,G,S
	U-Factor 0.32			SHGC (N / <1) 0.29 / 0.27				VT (N / <1) 0.49 / 0.44			CR 55	

**NFRC 100/200/500 Summary Sheet
Windgate/Belmont/Hawthorne 2-Lite Slider**

ID	Pane Thickness 1	Gap Width 1	Pane Thickness 2	Gap Width 2	Pane Thickness 3	Gap Width 3	Pane Thickness 4	Gap Fill	Low-e (Surface#)	Tint	Spacer	Grid Type
	U-Factor			Solar Heat Gain Coefficient (SHGC) Grids (None / <1 / >=1)				Visible Transmittance (VT) Grids (None / <1 / >=1)			Condensation Resistance	
236	141.094/142.094/148.094 HS / Opt 3 (ALU Refo KS/LS/S, No Foam): E366 / arg / clr (DS/DS) 3/4" IG											
	0.117	0.500	0.118					ARG90	0.022(#2)	CL	SS-D	N,G,S
	U-Factor 0.29			SHGC (N / <1) 0.21 / 0.19				VT (N / <1) 0.49 / 0.44			CR 58	
	141.094/142.094/148.094 HS / Opt 3 (ALU Refo KS/LS/S, No Foam): clr / arg / E366 (DS/DS) 3/4" IG											
	0.118	0.500	0.117					ARG90	0.022(#3)	CL	SS-D	N,G,S
	U-Factor 0.29			SHGC (N / <1) 0.30 / 0.27				VT (N / <1) 0.49 / 0.44			CR 58	
237	141.094/142.094/148.094 HS / Opt 3 (ALU Refo KS/LS/S, No Foam): lami / arg / E366 (DS 090 DS/DS) 3/4" IG											
	0.264	0.345	0.117					ARG90	0.022(#3)	CL	SS-D	N,S
	U-Factor 0.31			SHGC (N / <1) 0.29 / 0.26				VT (N / <1) 0.48 / 0.43			CR 56	
	141.094/142.094/148.094 HS / Opt 3 (ALU Refo KS/LS/S, No Foam): E366 / arg / lami (DS/DS 090 DS) 3/4" IG											
	0.117	0.345	0.264					ARG90	0.022(#2)	CL	SS-D	N,S
	U-Factor 0.31			SHGC (N / <1) 0.21 / 0.19				VT (N / <1) 0.48 / 0.43			CR 56	
238	141.094/142.094/148.094 HS / Opt 3 (ALU Refo KS/LS/S, No Foam): lami / arg / E366 (DS 090 DS/DS) 3/4" IG											
	0.264	0.345	0.117					ARG90	0.022(#3)	CL	SS-D	G,S
	U-Factor 0.32			SHGC (<1) 0.26				VT (<1) 0.43			CR 56	
	141.094/142.094/148.094 HS / Opt 3 (ALU Refo KS/LS/S, No Foam): E366 / arg / lami (DS/DS 090 DS) 3/4" IG											
	0.117	0.345	0.264					ARG90	0.022(#2)	CL	SS-D	G,S
	U-Factor 0.32			SHGC (<1) 0.19				VT (<1) 0.43			CR 56	
239	141.094/142.094/148.094 HS / Opt 3 (ALU Refo KS/LS/S, No Foam): E366 / arg / clr / arg / E366 (SS/SS/SS) 3/4" IG (SS-D)											
	0.087	0.266	0.087	0.266	0.087			ARG90	0.022(#2) / 0.022(#5)	CL	SS-D	N,S
	U-Factor 0.25			SHGC (N / <1) 0.19 / 0.17				VT (N / <1) 0.36 / 0.32			CR 65	
240	141.094/142.094/148.094 HS / Opt 3 (ALU Refo KS/LS/S, No Foam): E366 / arg / clr / arg / E366 (SS/SS/SS) 3/4" IG (SS-D)											
	0.087	0.266	0.087	0.266	0.087			ARG90	0.022(#2) / 0.022(#5)	CL	SS-D	G,S
	U-Factor 0.25			SHGC (<1) 0.17				VT (<1) 0.32			CR 65	
241	141.094/142.094/148.094 HS / Opt 3 (ALU Refo KS/LS/S, No Foam): clr / air / clr (SS/SS) 3/4" IG											
	0.087	0.563	0.087					AIR		CL	TS-D	N,G,S
	U-Factor 0.47			SHGC (N / <1) 0.61 / 0.54				VT (N / <1) 0.63 / 0.56			CR 43	
242	141.094/142.094/148.094 HS / Opt 3 (ALU Refo KS/LS/S, No Foam): clr / air / clr (DS/DS) 3/4" IG											
	0.118	0.500	0.118					AIR		CL	TS-D	N,G,S
	U-Factor 0.46			SHGC (N / <1) 0.59 / 0.53				VT (N / <1) 0.62 / 0.56			CR 43	

**NFRC 100/200/500 Summary Sheet
Windgate/Belmont/Hawthorne 2-Lite Slider**

ID	Pane Thickness 1	Gap Width 1	Pane Thickness 2	Gap Width 2	Pane Thickness 3	Gap Width 3	Pane Thickness 4	Gap Width 4	Gap Fill	Low-e (Surface#)	Tint	Spacer	Grid Type
	U-Factor			Solar Heat Gain Coefficient (SHGC) Grids (None / <1 / >=1)					Visible Transmittance (VT) Grids (None / <1 / >=1)			Condensation Resistance	
243	141.094/142.094/148.094 HS / Opt 3 (ALU Refo KS/LS/S, No Foam): clr / air / clr (5mm/DS) 3/4" IG												
	0.185	0.438	0.118						AIR		CL	TS-D	N,G,S
	U-Factor 0.47			SHGC (N / <1) 0.57 / 0.51					VT (N / <1) 0.62 / 0.55			CR 42	
244	141.094/142.094/148.094 HS / Opt 3 (ALU Refo KS/LS/S, No Foam): clr / air / clr (5mm/DS) 3/4" IG												
	0.185	0.438	0.118						AIR		CL	TS-D	G
	U-Factor 0.47			SHGC (<1) 0.51					VT (<1) 0.55			CR 42	
245	141.094/142.094/148.094 HS / Opt 3 (ALU Refo KS/LS/S, No Foam): lami / air / clr (DS 090 DS/DS) 3/4" IG												
	0.264	0.345	0.118						AIR		CL	TS-D	N,S
	U-Factor 0.48			SHGC (N / <1) 0.55 / 0.49					VT (N / <1) 0.61 / 0.55			CR 42	
	141.094/142.094/148.094 HS / Opt 3 (ALU Refo KS/LS/S, No Foam): clr / air / lami (DS/DS 090 DS) 3/4" IG												
	0.118	0.345	0.264						AIR		CL	TS-D	N,S
	U-Factor 0.48			SHGC (N / <1) 0.57 / 0.51					VT (N / <1) 0.61 / 0.55			CR 42	
246	141.094/142.094/148.094 HS / Opt 3 (ALU Refo KS/LS/S, No Foam): lami / air / clr (DS 090 DS/DS) 3/4" IG												
	0.264	0.345	0.118						AIR		CL	TS-D	G,S
	U-Factor 0.49			SHGC (<1) 0.49					VT (<1) 0.55			CR 42	
	141.094/142.094/148.094 HS / Opt 3 (ALU Refo KS/LS/S, No Foam): clr / air / lami (DS/DS 090 DS) 3/4" IG												
	0.118	0.345	0.264						AIR		CL	TS-D	G,S
	U-Factor 0.49			SHGC (<1) 0.51					VT (<1) 0.55			CR 42	
247	141.094/142.094/148.094 HS / Opt 3 (ALU Refo KS/LS/S, No Foam): clr / air / clr / air / clr (SS/SS/SS) 3/4" IG (P1-S)												
	0.087	0.250	0.087	0.250	0.087				AIR		CL	TS-D	N,S
	U-Factor 0.39			SHGC (N / <1) 0.55 / 0.49					VT (N / <1) 0.58 / 0.52			CR 50	
248	141.094/142.094/148.094 HS / Opt 3 (ALU Refo KS/LS/S, No Foam): clr / air / clr / air / clr (SS/SS/SS) 3/4" IG (P1-S)												
	0.087	0.250	0.087	0.250	0.087				AIR		CL	TS-D	G,S
	U-Factor 0.40			SHGC (<1) 0.49					VT (<1) 0.52			CR 50	
249	141.094/142.094/148.094 HS / Opt 3 (ALU Refo KS/LS/S, No Foam): 70/36 / air / clr (SS/SS) 3/4" IG												
	0.090	0.563	0.090						AIR	0.036(#2)	CL	TS-D	N,G,S
	U-Factor 0.33			SHGC (N / <1) 0.30 / 0.27					VT (N / <1) 0.54 / 0.48			CR 54	
	141.094/142.094/148.094 HS / Opt 3 (ALU Refo KS/LS/S, No Foam): clr / air / 70/36 (SS/SS) 3/4" IG												
	0.090	0.563	0.090						AIR	0.036(#3)	CL	TS-D	N,G,S
	U-Factor 0.33			SHGC (N / <1) 0.37 / 0.33					VT (N / <1) 0.54 / 0.48			CR 54	

NFRC 100/200/500 Summary Sheet
Windgate/Belmont/Hawthorne 2-Lite Slider

ID	Pane Thickness 1	Gap Width 1	Pane Thickness 2	Gap Width 2	Pane Thickness 3	Gap Width 3	Pane Thickness 4	Gap Fill	Low-e (Surface#)	Tint	Spacer	Grid Type
	U-Factor			Solar Heat Gain Coefficient (SHGC) Grids (None / <1 / >=1)				Visible Transmittance (VT) Grids (None / <1 / >=1)			Condensation Resistance	
250	141.094/142.094/148.094 HS / Opt 3 (ALU Refo KS/LS/S, No Foam): 70/36 / arg / clr (SS/SS) 3/4" IG											
	0.090	0.563	0.090					ARG90	0.036(#2)	CL	TS-D	N,G,S
	U-Factor 0.30			SHGC (N / <1) 0.30 / 0.27				VT (N / <1) 0.54 / 0.48			CR 57	
	141.094/142.094/148.094 HS / Opt 3 (ALU Refo KS/LS/S, No Foam): clr / arg / 70/36 (SS/SS) 3/4" IG											
	0.090	0.563	0.090					ARG90	0.036(#3)	CL	TS-D	N,G,S
	U-Factor 0.30			SHGC (N / <1) 0.38 / 0.34				VT (N / <1) 0.54 / 0.48			CR 57	
251	141.094/142.094/148.094 HS / Opt 3 (ALU Refo KS/LS/S, No Foam): 70/36 / air / clr (DS/DS) 3/4" IG											
	0.117	0.500	0.117					AIR	0.036(#2)	CL	TS-D	N,G,S
	U-Factor 0.33			SHGC (N / <1) 0.30 / 0.27				VT (N / <1) 0.53 / 0.47			CR 53	
	141.094/142.094/148.094 HS / Opt 3 (ALU Refo KS/LS/S, No Foam): clr / air / 70/36 (DS/DS) 3/4" IG											
	0.117	0.500	0.117					AIR	0.036(#3)	CL	TS-D	N,G,S
	U-Factor 0.33			SHGC (N / <1) 0.37 / 0.33				VT (N / <1) 0.53 / 0.47			CR 53	
252	141.094/142.094/148.094 HS / Opt 3 (ALU Refo KS/LS/S, No Foam): 70/36 / arg / clr (DS/DS) 3/4" IG											
	0.117	0.500	0.117					ARG90	0.036(#2)	CL	TS-D	N,G,S
	U-Factor 0.30			SHGC (N / <1) 0.29 / 0.27				VT (N / <1) 0.53 / 0.47			CR 56	
	141.094/142.094/148.094 HS / Opt 3 (ALU Refo KS/LS/S, No Foam): clr / arg / 70/36 (DS/DS) 3/4" IG											
	0.117	0.500	0.117					ARG90	0.036(#3)	CL	TS-D	N,G,S
	U-Factor 0.30			SHGC (N / <1) 0.37 / 0.33				VT (N / <1) 0.53 / 0.47			CR 56	
253	141.094/142.094/148.094 HS / Opt 3 (ALU Refo KS/LS/S, No Foam): lami / arg / 70/36 (DS 090 DS/DS) 3/4" IG											
	0.264	0.345	0.117					ARG90	0.036(#3)	CL	TS-D	N,S
	U-Factor 0.32			SHGC (N / <1) 0.35 / 0.32				VT (N / <1) 0.52 / 0.47			CR 54	
	141.094/142.094/148.094 HS / Opt 3 (ALU Refo KS/LS/S, No Foam): 70/36 / arg / lami (DS/DS 090 DS) 3/4" IG											
	0.117	0.345	0.264					ARG90	0.036(#2)	CL	TS-D	N,S
	U-Factor 0.32			SHGC (N / <1) 0.29 / 0.26				VT (N / <1) 0.52 / 0.47			CR 54	
254	141.094/142.094/148.094 HS / Opt 3 (ALU Refo KS/LS/S, No Foam): lami / arg / 70/36 (DS 090 DS/DS) 3/4" IG											
	0.264	0.345	0.117					ARG90	0.036(#3)	CL	TS-D	G,S
	U-Factor 0.33			SHGC (<1) 0.32				VT (<1) 0.47			CR 54	
	141.094/142.094/148.094 HS / Opt 3 (ALU Refo KS/LS/S, No Foam): 70/36 / arg / lami (DS/DS 090 DS) 3/4" IG											
	0.117	0.345	0.264					ARG90	0.036(#2)	CL	TS-D	G,S
	U-Factor 0.33			SHGC (<1) 0.26				VT (<1) 0.47			CR 54	

**NFRC 100/200/500 Summary Sheet
Windgate/Belmont/Hawthorne 2-Lite Slider**

ID	Pane Thickness 1	Gap Width 1	Pane Thickness 2	Gap Width 2	Pane Thickness 3	Gap Width 3	Pane Thickness 4	Gap Fill	Low-e (Surface#)	Tint	Spacer	Grid Type
	U-Factor			Solar Heat Gain Coefficient (SHGC) Grids (None / <1 / >=1)				Visible Transmittance (VT) Grids (None / <1 / >=1)			Condensation Resistance	
255	141.094/142.094/148.094 HS / Opt 3 (ALU Refo KS/LS/S, No Foam): 70/36 / arg / clr / arg / 70/36 (SS/SS/SS) 3/4" IG											
	0.090	0.250	0.090	0.250	0.090			ARG90	0.036(#2) / 0.036(#5)	CL	TS-D	N,S
	U-Factor 0.26			SHGC (N / <1) 0.26 / 0.23				VT (N / <1) 0.42 / 0.37			CR 62	
256	141.094/142.094/148.094 HS / Opt 3 (ALU Refo KS/LS/S, No Foam): 70/36 / arg / clr / arg / 70/36 (SS/SS/SS) 3/4" IG											
	0.090	0.250	0.090	0.250	0.090			ARG90	0.036(#2) / 0.036(#5)	CL	TS-D	G,S
	U-Factor 0.27			SHGC (<1) 0.23				VT (<1) 0.37			CR 61	
257	141.094/142.094/148.094 HS / Opt 3 (ALU Refo KS/LS/S, No Foam): 80/70 / air / clr (SS/SS) 3/4" IG											
	0.090	0.563	0.090					AIR	0.095(#2)	CL	TS-D	N,G,S
	U-Factor 0.35			SHGC (N / <1) 0.51 / 0.46				VT (N / <1) 0.62 / 0.55			CR 53	
	141.094/142.094/148.094 HS / Opt 3 (ALU Refo KS/LS/S, No Foam): clr / air / 80/70 (SS/SS) 3/4" IG											
	0.090	0.563	0.090					AIR	0.095(#3)	CL	TS-D	N,G,S
	U-Factor 0.35			SHGC (N / <1) 0.54 / 0.49				VT (N / <1) 0.62 / 0.55			CR 53	
258	141.094/142.094/148.094 HS / Opt 3 (ALU Refo KS/LS/S, No Foam): 80/70 / arg / clr (SS/SS) 3/4" IG											
	0.090	0.563	0.090					ARG90	0.095(#2)	CL	TS-D	N,G,S
	U-Factor 0.32			SHGC (N / <1) 0.51 / 0.46				VT (N / <1) 0.62 / 0.55			CR 56	
	141.094/142.094/148.094 HS / Opt 3 (ALU Refo KS/LS/S, No Foam): clr / arg / 80/70 (SS/SS) 3/4" IG											
	0.090	0.563	0.090					ARG90	0.095(#3)	CL	TS-D	N,G,S
	U-Factor 0.32			SHGC (N / <1) 0.54 / 0.49				VT (N / <1) 0.62 / 0.55			CR 56	
259	141.094/142.094/148.094 HS / Opt 3 (ALU Refo KS/LS/S, No Foam): 80/70 / air / clr (DS/DS) 3/4" IG											
	0.117	0.500	0.117					AIR	0.095(#2)	CL	TS-D	N,G,S
	U-Factor 0.35			SHGC (N / <1) 0.51 / 0.45				VT (N / <1) 0.61 / 0.55			CR 52	
	141.094/142.094/148.094 HS / Opt 3 (ALU Refo KS/LS/S, No Foam): clr / air / 80/70 (DS/DS) 3/4" IG											
	0.117	0.500	0.117					AIR	0.095(#3)	CL	TS-D	N,G,S
	U-Factor 0.35			SHGC (N / <1) 0.53 / 0.48				VT (N / <1) 0.61 / 0.55			CR 52	
260	141.094/142.094/148.094 HS / Opt 3 (ALU Refo KS/LS/S, No Foam): 80/70 / arg / clr (DS/DS) 3/4" IG											
	0.117	0.500	0.117					ARG90	0.095(#2)	CL	TS-D	N,G,S
	U-Factor 0.31			SHGC (N / <1) 0.51 / 0.45				VT (N / <1) 0.61 / 0.55			CR 55	
	141.094/142.094/148.094 HS / Opt 3 (ALU Refo KS/LS/S, No Foam): clr / arg / 80/70 (DS/DS) 3/4" IG											
	0.117	0.500	0.117					ARG90	0.095(#3)	CL	TS-D	N,G,S
	U-Factor 0.31			SHGC (N / <1) 0.54 / 0.48				VT (N / <1) 0.61 / 0.55			CR 55	

NFRC 100/200/500 Summary Sheet
Windgate/Belmont/Hawthorne 2-Lite Slider

ID	Pane Thickness 1	Gap Width 1	Pane Thickness 2	Gap Width 2	Pane Thickness 3	Gap Width 3	Pane Thickness 4	Gap Fill	Low-e (Surface#)	Tint	Spacer	Grid Type
	U-Factor			Solar Heat Gain Coefficient (SHGC) Grids (None / <1 / >=1)				Visible Transmittance (VT) Grids (None / <1 / >=1)			Condensation Resistance	
261	141.094/142.094/148.094 HS / Opt 3 (ALU Refo KS/LS/S, No Foam): lami / arg / 80/70 (DS 090 DS/DS) 3/4" IG											
	0.264	0.345	0.117					ARG90	0.095(#3)	CL	TS-D	N,S
	U-Factor 0.33			SHGC (N / <1) 0.49 / 0.44				VT (N / <1) 0.60 / 0.54			CR 53	
	141.094/142.094/148.094 HS / Opt 3 (ALU Refo KS/LS/S, No Foam): 80/70 / arg / lami (DS/DS 090 DS) 3/4" IG											
	0.117	0.345	0.264					ARG90	0.095(#2)	CL	TS-D	N,S
	U-Factor 0.33			SHGC (N / <1) 0.50 / 0.45				VT (N / <1) 0.60 / 0.54			CR 53	
262	141.094/142.094/148.094 HS / Opt 3 (ALU Refo KS/LS/S, No Foam): lami / arg / 80/70 (DS 090 DS/DS) 3/4" IG											
	0.264	0.345	0.117					ARG90	0.095(#3)	CL	TS-D	G,S
	U-Factor 0.34			SHGC (<1) 0.44				VT (<1) 0.54			CR 53	
	141.094/142.094/148.094 HS / Opt 3 (ALU Refo KS/LS/S, No Foam): 80/70 / arg / lami (DS/DS 090 DS) 3/4" IG											
	0.117	0.345	0.264					ARG90	0.095(#2)	CL	TS-D	G,S
	U-Factor 0.34			SHGC (<1) 0.45				VT (<1) 0.54			CR 53	
263	141.094/142.094/148.094 HS / Opt 3 (ALU Refo KS/LS/S, No Foam): 80/70 / arg / clr / arg / 80/70 (SS/SS/SS) 3/4" IG											
	0.090	0.250	0.090	0.250	0.090			ARG90	0.095(#2) / 0.095(#5)	CL	TS-D	N,S
	U-Factor 0.27			SHGC (N / <1) 0.45 / 0.41				VT (N / <1) 0.56 / 0.50			CR 61	
264	141.094/142.094/148.094 HS / Opt 3 (ALU Refo KS/LS/S, No Foam): 80/70 / arg / clr / arg / 80/70 (SS/SS/SS) 3/4" IG											
	0.090	0.250	0.090	0.250	0.090			ARG90	0.095(#2) / 0.095(#5)	CL	TS-D	G,S
	U-Factor 0.28			SHGC (<1) 0.41				VT (<1) 0.50			CR 61	
265	141.094/142.094/148.094 HS / Opt 4 (Heavy ALU Refo KS/LS/S, No Foam): clr / air / clr (SS/SS) 3/4" IG											
	0.087	0.563	0.087					AIR		CL	P1-S	N,G,S
	U-Factor 0.46			SHGC (N / <1) 0.61 / 0.54				VT (N / <1) 0.63 / 0.56			CR 45	
266	141.094/142.094/148.094 HS / Opt 4 (Heavy ALU Refo KS/LS/S, No Foam): clr / air / clr (DS/DS) 3/4" IG											
	0.118	0.500	0.118					AIR		CL	P1-S	N,G,S
	U-Factor 0.46			SHGC (N / <1) 0.59 / 0.53				VT (N / <1) 0.62 / 0.56			CR 45	
267	141.094/142.094/148.094 HS / Opt 4 (Heavy ALU Refo KS/LS/S, No Foam): clr / air / clr (5mm/DS) 3/4" IG											
	0.185	0.438	0.118					AIR		CL	P1-S	N,G,S
	U-Factor 0.46			SHGC (N / <1) 0.57 / 0.51				VT (N / <1) 0.62 / 0.55			CR 45	
268	141.094/142.094/148.094 HS / Opt 4 (Heavy ALU Refo KS/LS/S, No Foam): clr / air / clr (5mm/DS) 3/4" IG											
	0.185	0.438	0.118					AIR		CL	P1-S	G
	U-Factor 0.46			SHGC (<1) 0.51				VT (<1) 0.55			CR 45	

**NFRC 100/200/500 Summary Sheet
Windgate/Belmont/Hawthorne 2-Lite Slider**

ID	Pane Thickness 1	Gap Width 1	Pane Thickness 2	Gap Width 2	Pane Thickness 3	Gap Width 3	Pane Thickness 4	Gap Fill	Low-e (Surface#)	Tint	Spacer	Grid Type
	U-Factor			Solar Heat Gain Coefficient (SHGC) Grids (None / <1 / >=1)				Visible Transmittance (VT) Grids (None / <1 / >=1)			Condensation Resistance	
269	141.094/142.094/148.094 HS / Opt 4 (Heavy ALU Refo KS/LS/S, No Foam): lami / air / clr (DS 090 DS DS) 3/4" IG											
	0.264	0.345	0.118					AIR		CL	P1-S	N,S
	U-Factor 0.47			SHGC (N / <1) 0.55 / 0.49				VT (N / <1) 0.61 / 0.55			CR 43	
	141.094/142.094/148.094 HS / Opt 4 (Heavy ALU Refo KS/LS/S, No Foam): clr / air / lami (DS DS 090 DS) 3/4" IG											
	0.118	0.345	0.264					AIR		CL	P1-S	N,S
	U-Factor 0.47			SHGC (N / <1) 0.57 / 0.51				VT (N / <1) 0.61 / 0.55			CR 43	
270	141.094/142.094/148.094 HS / Opt 4 (Heavy ALU Refo KS/LS/S, No Foam): lami / air / clr (DS 090 DS DS) 3/4" IG											
	0.264	0.345	0.118					AIR		CL	P1-S	G,S
	U-Factor 0.48			SHGC (<1) 0.49				VT (<1) 0.55			CR 43	
	141.094/142.094/148.094 HS / Opt 4 (Heavy ALU Refo KS/LS/S, No Foam): clr / air / lami (DS DS 090 DS) 3/4" IG											
	0.118	0.345	0.264					AIR		CL	P1-S	G,S
	U-Factor 0.48			SHGC (<1) 0.51				VT (<1) 0.55			CR 43	
271	141.094/142.094/148.094 HS / Opt 4 (Heavy ALU Refo KS/LS/S, No Foam): clr / air / clr / air / clr (SS SS SS) 3/4" IG (P1-S)											
	0.087	0.250	0.087	0.250	0.087			AIR		CL	P1-S	N,S
	U-Factor 0.38			SHGC (N / <1) 0.55 / 0.49				VT (N / <1) 0.58 / 0.52			CR 53	
272	141.094/142.094/148.094 HS / Opt 4 (Heavy ALU Refo KS/LS/S, No Foam): clr / air / clr / air / clr (SS SS SS) 3/4" IG (P1-S)											
	0.087	0.250	0.087	0.250	0.087			AIR		CL	P1-S	G,S
	U-Factor 0.39			SHGC (<1) 0.49				VT (<1) 0.52			CR 53	
273	141.094/142.094/148.094 HS / Opt 4 (Heavy ALU Refo KS/LS/S, No Foam): E270 / air / clr (SS SS) 3/4" IG											
	0.087	0.563	0.087					AIR	0.037(#2)	CL	P1-S	N,G,S
	U-Factor 0.32			SHGC (N / <1) 0.29 / 0.26				VT (N / <1) 0.54 / 0.48			CR 58	
	141.094/142.094/148.094 HS / Opt 4 (Heavy ALU Refo KS/LS/S, No Foam): clr / air / E270 (SS SS) 3/4" IG											
	0.087	0.563	0.087					AIR	0.037(#3)	CL	P1-S	N,G,S
	U-Factor 0.32			SHGC (N / <1) 0.35 / 0.32				VT (N / <1) 0.54 / 0.48			CR 58	
274	141.094/142.094/148.094 HS / Opt 4 (Heavy ALU Refo KS/LS/S, No Foam): E270 / arg / clr (SS SS) 3/4" IG											
	0.087	0.563	0.087					ARG90	0.037(#2)	CL	P1-S	N,G,S
	U-Factor 0.29			SHGC (N / <1) 0.28 / 0.26				VT (N / <1) 0.54 / 0.48			CR 62	
	141.094/142.094/148.094 HS / Opt 4 (Heavy ALU Refo KS/LS/S, No Foam): clr / arg / E270 (SS SS) 3/4" IG											
	0.087	0.563	0.087					ARG90	0.037(#3)	CL	P1-S	N,G,S
	U-Factor 0.29			SHGC (N / <1) 0.36 / 0.32				VT (N / <1) 0.54 / 0.48			CR 62	

NFRC 100/200/500 Summary Sheet
Windgate/Belmont/Hawthorne 2-Lite Slider

ID	Pane Thickness 1	Gap Width 1	Pane Thickness 2	Gap Width 2	Pane Thickness 3	Gap Width 3	Pane Thickness 4	Gap Fill	Low-e (Surface#)	Tint	Spacer	Grid Type
	U-Factor			Solar Heat Gain Coefficient (SHGC) Grids (None / <1 / >=1)				Visible Transmittance (VT) Grids (None / <1 / >=1)			Condensation Resistance	
275	141.094/142.094/148.094 HS / Opt 4 (Heavy ALU Refo KS/LS/S, No Foam): E270 / air / clr (DS/DS) 3/4" IG											
	0.118	0.500	0.118					AIR	0.037(#2)	CL	P1-S	N,G,S
	U-Factor 0.32			SHGC (N / <1) 0.29 / 0.26				VT (N / <1) 0.53 / 0.47			CR 57	
	141.094/142.094/148.094 HS / Opt 4 (Heavy ALU Refo KS/LS/S, No Foam): clr / air / E270 (DS/DS) 3/4" IG											
	0.118	0.500	0.118					AIR	0.037(#3)	CL	P1-S	N,G,S
	U-Factor 0.32			SHGC (N / <1) 0.35 / 0.31				VT (N / <1) 0.53 / 0.47			CR 57	
276	141.094/142.094/148.094 HS / Opt 4 (Heavy ALU Refo KS/LS/S, No Foam): E270 / arg / clr (DS/DS) 3/4" IG											
	0.118	0.500	0.118					ARG90	0.037(#2)	CL	P1-S	N,G,S
	U-Factor 0.28			SHGC (N / <1) 0.28 / 0.25				VT (N / <1) 0.53 / 0.47			CR 61	
	141.094/142.094/148.094 HS / Opt 4 (Heavy ALU Refo KS/LS/S, No Foam): clr / arg / E270 (DS/DS) 3/4" IG											
	0.118	0.500	0.118					ARG90	0.037(#3)	CL	P1-S	N,G,S
	U-Factor 0.28			SHGC (N / <1) 0.35 / 0.32				VT (N / <1) 0.53 / 0.47			CR 61	
277	141.094/142.094/148.094 HS / Opt 4 (Heavy ALU Refo KS/LS/S, No Foam): lami / arg / E270 (DS 090 DS/DS) 3/4" IG											
	0.264	0.345	0.118					ARG90	0.037(#3)	CL	P1-S	N,S
	U-Factor 0.30			SHGC (N / <1) 0.33 / 0.30				VT (N / <1) 0.52 / 0.47			CR 59	
	141.094/142.094/148.094 HS / Opt 4 (Heavy ALU Refo KS/LS/S, No Foam): E270 / arg / lami (DS/DS 090 DS) 3/4" IG											
	0.118	0.345	0.264					ARG90	0.037(#2)	CL	P1-S	N,S
	U-Factor 0.30			SHGC (N / <1) 0.28 / 0.25				VT (N / <1) 0.52 / 0.47			CR 59	
278	141.094/142.094/148.094 HS / Opt 4 (Heavy ALU Refo KS/LS/S, No Foam): lami / arg / E270 (DS 090 DS/DS) 3/4" IG											
	0.264	0.345	0.118					ARG90	0.037(#3)	CL	P1-S	G,S
	U-Factor 0.32			SHGC (<1) 0.30				VT (<1) 0.47			CR 59	
	141.094/142.094/148.094 HS / Opt 4 (Heavy ALU Refo KS/LS/S, No Foam): E270 / arg / lami (DS/DS 090 DS) 3/4" IG											
	0.118	0.345	0.264					ARG90	0.037(#2)	CL	P1-S	G,S
	U-Factor 0.32			SHGC (<1) 0.25				VT (<1) 0.47			CR 59	
279	141.094/142.094/148.094 HS / Opt 4 (Heavy ALU Refo KS/LS/S, No Foam): E270 / arg / clr / arg / E270 (SS/SS/SS) 3/4" IG (P1-S)											
	0.087	0.250	0.087	0.250	0.087			ARG90	0.037(#2) / 0.037(#5)	CL	P1-S	N,S
	U-Factor 0.25			SHGC (N / <1) 0.24 / 0.22				VT (N / <1) 0.42 / 0.37			CR 67	
280	141.094/142.094/148.094 HS / Opt 4 (Heavy ALU Refo KS/LS/S, No Foam): E270 / arg / clr / arg / E270 (SS/SS/SS) 3/4" IG (P1-S)											
	0.087	0.250	0.087	0.250	0.087			ARG90	0.037(#2) / 0.037(#5)	CL	P1-S	G,S
	U-Factor 0.26			SHGC (<1) 0.22				VT (<1) 0.37			CR 67	

NFRC 100/200/500 Summary Sheet
Windgate/Belmont/Hawthorne 2-Lite Slider

ID	Pane Thickness 1	Gap Width 1	Pane Thickness 2	Gap Width 2	Pane Thickness 3	Gap Width 3	Pane Thickness 4	Gap Width 4	Gap Fill	Low-e (Surface#)	Tint	Spacer	Grid Type
	U-Factor			Solar Heat Gain Coefficient (SHGC) Grids (None / <1 / >=1)					Visible Transmittance (VT) Grids (None / <1 / >=1)			Condensation Resistance	
281	141.094/142.094/148.094 HS / Opt 4 (Heavy ALU Refo KS/LS/S, No Foam): E366 / air / clr (SS/SS) 3/4" IG												
	0.087	0.563	0.087						AIR	0.022(#2)	CL	P1-S	N,G,S
	U-Factor 0.32			SHGC (N / <1) 0.21 / 0.19					VT (N / <1) 0.50 / 0.44			CR 59	
	141.094/142.094/148.094 HS / Opt 4 (Heavy ALU Refo KS/LS/S, No Foam): clr / air / E366 (SS/SS) 3/4" IG												
	0.087	0.563	0.087						AIR	0.022(#3)	CL	P1-S	N,G,S
	U-Factor 0.32			SHGC (N / <1) 0.30 / 0.27					VT (N / <1) 0.50 / 0.44			CR 59	
282	141.094/142.094/148.094 HS / Opt 4 (Heavy ALU Refo KS/LS/S, No Foam): E366 / arg / clr (SS/SS) 3/4" IG												
	0.087	0.563	0.087						ARG90	0.022(#2)	CL	P1-S	N,G,S
	U-Factor 0.28			SHGC (N / <1) 0.21 / 0.19					VT (N / <1) 0.50 / 0.44			CR 62	
	141.094/142.094/148.094 HS / Opt 4 (Heavy ALU Refo KS/LS/S, No Foam): clr / arg / E366 (SS/SS) 3/4" IG												
	0.087	0.563	0.087						ARG90	0.022(#3)	CL	P1-S	N,G,S
	U-Factor 0.28			SHGC (N / <1) 0.30 / 0.27					VT (N / <1) 0.50 / 0.44			CR 62	
283	141.094/142.094/148.094 HS / Opt 4 (Heavy ALU Refo KS/LS/S, No Foam): E366 / air / clr (DS/DS) 3/4" IG												
	0.117	0.500	0.118						AIR	0.022(#2)	CL	P1-S	N,G,S
	U-Factor 0.31			SHGC (N / <1) 0.21 / 0.19					VT (N / <1) 0.49 / 0.44			CR 58	
	141.094/142.094/148.094 HS / Opt 4 (Heavy ALU Refo KS/LS/S, No Foam): clr / air / E366 (DS/DS) 3/4" IG												
	0.118	0.500	0.117						AIR	0.022(#3)	CL	P1-S	N,G,S
	U-Factor 0.31			SHGC (N / <1) 0.29 / 0.27					VT (N / <1) 0.49 / 0.44			CR 58	
284	141.094/142.094/148.094 HS / Opt 4 (Heavy ALU Refo KS/LS/S, No Foam): E366 / arg / clr (DS/DS) 3/4" IG												
	0.117	0.500	0.118						ARG90	0.022(#2)	CL	P1-S	N,G,S
	U-Factor 0.28			SHGC (N / <1) 0.21 / 0.19					VT (N / <1) 0.49 / 0.44			CR 62	
	141.094/142.094/148.094 HS / Opt 4 (Heavy ALU Refo KS/LS/S, No Foam): clr / arg / E366 (DS/DS) 3/4" IG												
	0.118	0.500	0.117						ARG90	0.022(#3)	CL	P1-S	N,G,S
	U-Factor 0.28			SHGC (N / <1) 0.30 / 0.27					VT (N / <1) 0.49 / 0.44			CR 62	
285	141.094/142.094/148.094 HS / Opt 4 (Heavy ALU Refo KS/LS/S, No Foam): lami / arg / E366 (DS/090)DS/DS) 3/4" IG												
	0.264	0.345	0.117						ARG90	0.022(#3)	CL	P1-S	N,S
	U-Factor 0.30			SHGC (N / <1) 0.29 / 0.26					VT (N / <1) 0.48 / 0.43			CR 59	
	141.094/142.094/148.094 HS / Opt 4 (Heavy ALU Refo KS/LS/S, No Foam): E366 / arg / lami (DS/DS)090)DS) 3/4" IG												
	0.117	0.345	0.264						ARG90	0.022(#2)	CL	P1-S	N,S
	U-Factor 0.30			SHGC (N / <1) 0.21 / 0.19					VT (N / <1) 0.48 / 0.43			CR 59	

NFRC 100/200/500 Summary Sheet
Windgate/Belmont/Hawthorne 2-Lite Slider

ID	Pane Thickness 1	Gap Width 1	Pane Thickness 2	Gap Width 2	Pane Thickness 3	Gap Width 3	Pane Thickness 4	Gap Fill	Low-e (Surface#)	Tint	Spacer	Grid Type
	U-Factor			Solar Heat Gain Coefficient (SHGC) Grids (None / <1 / >=1)				Visible Transmittance (VT) Grids (None / <1 / >=1)			Condensation Resistance	
286	141.094/142.094/148.094 HS / Opt 4 (Heavy ALU Refo KS/LS/S, No Foam): lami / arg / E366 (DS/090)DS/DS) 3/4" IG											
	0.264	0.345	0.117					ARG90	0.022(#3)	CL	P1-S	G,S
	U-Factor 0.31			SHGC (<1) 0.26				VT (<1) 0.43			CR 59	
	141.094/142.094/148.094 HS / Opt 4 (Heavy ALU Refo KS/LS/S, No Foam): E366 / arg / lami (DS/DS)090)DS) 3/4" IG											
	0.117	0.345	0.264					ARG90	0.022(#2)	CL	P1-S	G,S
	U-Factor 0.31			SHGC (<1) 0.19				VT (<1) 0.43			CR 59	
287	141.094/142.094/148.094 HS / Opt 4 (Heavy ALU Refo KS/LS/S, No Foam): E366 / arg / clr / arg / E366 (SS/SS/SS) 3/4" IG (P1-S)											
	0.087	0.250	0.087	0.250	0.087			ARG90	0.022(#2) / 0.022(#5)	CL	P1-S	N,S
	U-Factor 0.24			SHGC (N / <1) 0.19 / 0.17				VT (N / <1) 0.36 / 0.32			CR 67	
288	141.094/142.094/148.094 HS / Opt 4 (Heavy ALU Refo KS/LS/S, No Foam): E366 / arg / clr / arg / E366 (SS/SS/SS) 3/4" IG (P1-S)											
	0.087	0.250	0.087	0.250	0.087			ARG90	0.022(#2) / 0.022(#5)	CL	P1-S	G,S
	U-Factor 0.25			SHGC (<1) 0.17				VT (<1) 0.32			CR 67	
289	141.094/142.094/148.094 HS / Opt 4 (Heavy ALU Refo KS/LS/S, No Foam): 70/36 / air / clr (SS/SS) 3/4" IG											
	0.090	0.563	0.090					AIR	0.036(#2)	CL	P1-S	N,G,S
	U-Factor 0.32			SHGC (N / <1) 0.30 / 0.27				VT (N / <1) 0.54 / 0.48			CR 58	
	141.094/142.094/148.094 HS / Opt 4 (Heavy ALU Refo KS/LS/S, No Foam): clr / air / 70/36 (SS/SS) 3/4" IG											
	0.090	0.563	0.090					AIR	0.036(#3)	CL	P1-S	N,G,S
	U-Factor 0.32			SHGC (N / <1) 0.37 / 0.33				VT (N / <1) 0.54 / 0.48			CR 58	
290	141.094/142.094/148.094 HS / Opt 4 (Heavy ALU Refo KS/LS/S, No Foam): 70/36 / arg / clr (SS/SS) 3/4" IG											
	0.090	0.563	0.090					ARG90	0.036(#2)	CL	P1-S	N,G,S
	U-Factor 0.29			SHGC (N / <1) 0.30 / 0.27				VT (N / <1) 0.54 / 0.48			CR 62	
	141.094/142.094/148.094 HS / Opt 4 (Heavy ALU Refo KS/LS/S, No Foam): clr / arg / 70/36 (SS/SS) 3/4" IG											
	0.090	0.563	0.090					ARG90	0.036(#3)	CL	P1-S	N,G,S
	U-Factor 0.29			SHGC (N / <1) 0.38 / 0.34				VT (N / <1) 0.54 / 0.48			CR 62	
291	141.094/142.094/148.094 HS / Opt 4 (Heavy ALU Refo KS/LS/S, No Foam): 70/36 / air / clr (DS/DS) 3/4" IG											
	0.117	0.500	0.117					AIR	0.036(#2)	CL	P1-S	N,G,S
	U-Factor 0.32			SHGC (N / <1) 0.30 / 0.27				VT (N / <1) 0.53 / 0.47			CR 57	
	141.094/142.094/148.094 HS / Opt 4 (Heavy ALU Refo KS/LS/S, No Foam): clr / air / 70/36 (DS/DS) 3/4" IG											
	0.117	0.500	0.117					AIR	0.036(#3)	CL	P1-S	N,G,S
	U-Factor 0.32			SHGC (N / <1) 0.37 / 0.33				VT (N / <1) 0.53 / 0.47			CR 57	

**NFRC 100/200/500 Summary Sheet
Windgate/Belmont/Hawthorne 2-Lite Slider**

ID	Pane Thickness 1	Gap Width 1	Pane Thickness 2	Gap Width 2	Pane Thickness 3	Gap Width 3	Pane Thickness 4	Gap Width 4	Gap Fill	Low-e (Surface#)	Tint	Spacer	Grid Type
	U-Factor			Solar Heat Gain Coefficient (SHGC) Grids (None / <1 / >=1)					Visible Transmittance (VT) Grids (None / <1 / >=1)			Condensation Resistance	
292	141.094/142.094/148.094 HS / Opt 4 (Heavy ALU Refo KS/LS/S, No Foam): 70/36 / arg / clr (DS/DS) 3/4" IG												
	0.117	0.500	0.117						ARG90	0.036(#2)	CL	P1-S	N,G,S
	U-Factor 0.28			SHGC (N / <1) 0.29 / 0.27					VT (N / <1) 0.53 / 0.47			CR 61	
	141.094/142.094/148.094 HS / Opt 4 (Heavy ALU Refo KS/LS/S, No Foam): clr / arg / 70/36 (DS/DS) 3/4" IG												
	0.117	0.500	0.117						ARG90	0.036(#3)	CL	P1-S	N,G,S
	U-Factor 0.28			SHGC (N / <1) 0.37 / 0.33					VT (N / <1) 0.53 / 0.47			CR 61	
293	141.094/142.094/148.094 HS / Opt 4 (Heavy ALU Refo KS/LS/S, No Foam): lami / arg / 70/36 (DS 090 DS/DS) 3/4" IG												
	0.264	0.345	0.117						ARG90	0.036(#3)	CL	P1-S	N,S
	U-Factor 0.30			SHGC (N / <1) 0.35 / 0.32					VT (N / <1) 0.52 / 0.47			CR 59	
	141.094/142.094/148.094 HS / Opt 4 (Heavy ALU Refo KS/LS/S, No Foam): 70/36 / arg / lami (DS/DS 090 DS) 3/4" IG												
	0.117	0.345	0.264						ARG90	0.036(#2)	CL	P1-S	N,S
	U-Factor 0.30			SHGC (N / <1) 0.29 / 0.26					VT (N / <1) 0.52 / 0.47			CR 59	
294	141.094/142.094/148.094 HS / Opt 4 (Heavy ALU Refo KS/LS/S, No Foam): lami / arg / 70/36 (DS 090 DS/DS) 3/4" IG												
	0.264	0.345	0.117						ARG90	0.036(#3)	CL	P1-S	G,S
	U-Factor 0.32			SHGC (<1) 0.32					VT (<1) 0.47			CR 59	
	141.094/142.094/148.094 HS / Opt 4 (Heavy ALU Refo KS/LS/S, No Foam): 70/36 / arg / lami (DS/DS 090 DS) 3/4" IG												
	0.117	0.345	0.264						ARG90	0.036(#2)	CL	P1-S	G,S
	U-Factor 0.32			SHGC (<1) 0.26					VT (<1) 0.47			CR 59	
295	141.094/142.094/148.094 HS / Opt 4 (Heavy ALU Refo KS/LS/S, No Foam): 70/36 / arg / clr / arg / 70/36 (SS/SS/SS) 3/4" IG												
	0.090	0.250	0.090	0.250	0.090				ARG90	0.036(#2) / 0.036(#5)	CL	P1-S	N,S
	U-Factor 0.25			SHGC (N / <1) 0.26 / 0.23					VT (N / <1) 0.42 / 0.37			CR 67	
296	141.094/142.094/148.094 HS / Opt 4 (Heavy ALU Refo KS/LS/S, No Foam): 70/36 / arg / clr / arg / 70/36 (SS/SS/SS) 3/4" IG												
	0.090	0.250	0.090	0.250	0.090				ARG90	0.036(#2) / 0.036(#5)	CL	P1-S	G,S
	U-Factor 0.26			SHGC (<1) 0.23					VT (<1) 0.37			CR 67	
297	141.094/142.094/148.094 HS / Opt 4 (Heavy ALU Refo KS/LS/S, No Foam): 80/70 / air / clr (SS/SS) 3/4" IG												
	0.090	0.563	0.090						AIR	0.095(#2)	CL	P1-S	N,G,S
	U-Factor 0.34			SHGC (N / <1) 0.51 / 0.46					VT (N / <1) 0.62 / 0.55			CR 57	
	141.094/142.094/148.094 HS / Opt 4 (Heavy ALU Refo KS/LS/S, No Foam): clr / air / 80/70 (SS/SS) 3/4" IG												
	0.090	0.563	0.090						AIR	0.095(#3)	CL	P1-S	N,G,S
	U-Factor 0.34			SHGC (N / <1) 0.54 / 0.49					VT (N / <1) 0.62 / 0.55			CR 57	

NFRC 100/200/500 Summary Sheet
Windgate/Belmont/Hawthorne 2-Lite Slider

ID	Pane Thickness 1	Gap Width 1	Pane Thickness 2	Gap Width 2	Pane Thickness 3	Gap Width 3	Pane Thickness 4	Gap Fill	Low-e (Surface#)	Tint	Spacer	Grid Type
	U-Factor			Solar Heat Gain Coefficient (SHGC) Grids (None / <1 / >=1)				Visible Transmittance (VT) Grids (None / <1 / >=1)			Condensation Resistance	
298	141.094/142.094/148.094 HS / Opt 4 (Heavy ALU Refo KS/LS/S, No Foam): 80/70 / arg / clr (SS/SS) 3/4" IG											
	0.090	0.563	0.090					ARG90	0.095(#2)	CL	P1-S	N,G,S
	U-Factor 0.30			SHGC (N / <1) 0.51 / 0.46				VT (N / <1) 0.62 / 0.55			CR 60	
	141.094/142.094/148.094 HS / Opt 4 (Heavy ALU Refo KS/LS/S, No Foam): clr / arg / 80/70 (SS/SS) 3/4" IG											
	0.090	0.563	0.090					ARG90	0.095(#3)	CL	P1-S	N,G,S
	U-Factor 0.30			SHGC (N / <1) 0.54 / 0.49				VT (N / <1) 0.62 / 0.55			CR 60	
299	141.094/142.094/148.094 HS / Opt 4 (Heavy ALU Refo KS/LS/S, No Foam): 80/70 / air / clr (DS/DS) 3/4" IG											
	0.117	0.500	0.117					AIR	0.095(#2)	CL	P1-S	N,G,S
	U-Factor 0.33			SHGC (N / <1) 0.51 / 0.45				VT (N / <1) 0.61 / 0.55			CR 56	
	141.094/142.094/148.094 HS / Opt 4 (Heavy ALU Refo KS/LS/S, No Foam): clr / air / 80/70 (DS/DS) 3/4" IG											
	0.117	0.500	0.117					AIR	0.095(#3)	CL	P1-S	N,G,S
	U-Factor 0.33			SHGC (N / <1) 0.53 / 0.48				VT (N / <1) 0.61 / 0.55			CR 56	
300	141.094/142.094/148.094 HS / Opt 4 (Heavy ALU Refo KS/LS/S, No Foam): 80/70 / arg / clr (DS/DS) 3/4" IG											
	0.117	0.500	0.117					ARG90	0.095(#2)	CL	P1-S	N,G,S
	U-Factor 0.30			SHGC (N / <1) 0.51 / 0.45				VT (N / <1) 0.61 / 0.55			CR 59	
	141.094/142.094/148.094 HS / Opt 4 (Heavy ALU Refo KS/LS/S, No Foam): clr / arg / 80/70 (DS/DS) 3/4" IG											
	0.117	0.500	0.117					ARG90	0.095(#3)	CL	P1-S	N,G,S
	U-Factor 0.30			SHGC (N / <1) 0.54 / 0.48				VT (N / <1) 0.61 / 0.55			CR 59	
301	141.094/142.094/148.094 HS / Opt 4 (Heavy ALU Refo KS/LS/S, No Foam): lami / arg / 80/70 (DS 090 DS/DS) 3/4" IG											
	0.264	0.345	0.117					ARG90	0.095(#3)	CL	P1-S	N,S
	U-Factor 0.32			SHGC (N / <1) 0.49 / 0.44				VT (N / <1) 0.60 / 0.54			CR 57	
	141.094/142.094/148.094 HS / Opt 4 (Heavy ALU Refo KS/LS/S, No Foam): 80/70 / arg / lami (DS/DS 090 DS) 3/4" IG											
	0.117	0.345	0.264					ARG90	0.095(#2)	CL	P1-S	N,S
	U-Factor 0.32			SHGC (N / <1) 0.50 / 0.45				VT (N / <1) 0.60 / 0.54			CR 57	
302	141.094/142.094/148.094 HS / Opt 4 (Heavy ALU Refo KS/LS/S, No Foam): lami / arg / 80/70 (DS 090 DS/DS) 3/4" IG											
	0.264	0.345	0.117					ARG90	0.095(#3)	CL	P1-S	G,S
	U-Factor 0.33			SHGC (<1) 0.44				VT (<1) 0.54			CR 57	
	141.094/142.094/148.094 HS / Opt 4 (Heavy ALU Refo KS/LS/S, No Foam): 80/70 / arg / lami (DS/DS 090 DS) 3/4" IG											
	0.117	0.345	0.264					ARG90	0.095(#2)	CL	P1-S	G,S
	U-Factor 0.33			SHGC (<1) 0.45				VT (<1) 0.54			CR 57	

NFRC 100/200/500 Summary Sheet
Windgate/Belmont/Hawthorne 2-Lite Slider

ID	Pane Thickness 1	Gap Width 1	Pane Thickness 2	Gap Width 2	Pane Thickness 3	Gap Width 3	Pane Thickness 4	Gap Fill	Low-e (Surface#)	Tint	Spacer	Grid Type
	U-Factor			Solar Heat Gain Coefficient (SHGC) Grids (None / <1 / >=1)				Visible Transmittance (VT) Grids (None / <1 / >=1)			Condensation Resistance	
303	141.094/142.094/148.094 HS / Opt 4 (Heavy ALU Refo KS/LS/S, No Foam): 80/70 / arg / clr / arg / 80/70 (SS/SS/SS) 3/4" IG											
	0.090	0.250	0.090	0.250	0.090			ARG90	0.095(#2) / 0.095(#5)		CL	P1-S, N,S
	U-Factor 0.26			SHGC (N / <1) 0.45 / 0.41				VT (N / <1) 0.56 / 0.50			CR 66	
304	141.094/142.094/148.094 HS / Opt 4 (Heavy ALU Refo KS/LS/S, No Foam): 80/70 / arg / clr / arg / 80/70 (SS/SS/SS) 3/4" IG											
	0.090	0.250	0.090	0.250	0.090			ARG90	0.095(#2) / 0.095(#5)		CL	P1-S, G,S
	U-Factor 0.27			SHGC (<1) 0.41				VT (<1) 0.50			CR 66	
305	141.094/142.094/148.094 HS / Opt 4 (Heavy ALU Refo KS/LS/S, No Foam): clr / air / clr (SS/SS) 3/4" IG											
	0.087	0.563	0.087					AIR			CL	SS-D, N,G,S
	U-Factor 0.46			SHGC (N / <1) 0.61 / 0.54				VT (N / <1) 0.63 / 0.56			CR 44	
306	141.094/142.094/148.094 HS / Opt 4 (Heavy ALU Refo KS/LS/S, No Foam): clr / air / clr (DS/DS) 3/4" IG											
	0.118	0.500	0.118					AIR			CL	SS-D, N,G,S
	U-Factor 0.46			SHGC (N / <1) 0.59 / 0.53				VT (N / <1) 0.62 / 0.56			CR 44	
307	141.094/142.094/148.094 HS / Opt 4 (Heavy ALU Refo KS/LS/S, No Foam): clr / air / clr (5mm/DS) 3/4" IG											
	0.185	0.438	0.118					AIR			CL	SS-D, N,G,S
	U-Factor 0.47			SHGC (N / <1) 0.57 / 0.51				VT (N / <1) 0.62 / 0.55			CR 43	
308	141.094/142.094/148.094 HS / Opt 4 (Heavy ALU Refo KS/LS/S, No Foam): clr / air / clr (5mm/DS) 3/4" IG											
	0.185	0.438	0.118					AIR			CL	SS-D, G
	U-Factor 0.47			SHGC (<1) 0.51				VT (<1) 0.55			CR 43	
309	141.094/142.094/148.094 HS / Opt 4 (Heavy ALU Refo KS/LS/S, No Foam): lami / air / clr (DS 090 DS/DS) 3/4" IG											
	0.264	0.345	0.118					AIR			CL	SS-D, N,S
	U-Factor 0.48			SHGC (N / <1) 0.55 / 0.49				VT (N / <1) 0.61 / 0.55			CR 42	
	141.094/142.094/148.094 HS / Opt 4 (Heavy ALU Refo KS/LS/S, No Foam): clr / air / lami (DS/DS 090 DS) 3/4" IG											
	0.118	0.345	0.264					AIR			CL	SS-D, N,S
	U-Factor 0.48			SHGC (N / <1) 0.57 / 0.51				VT (N / <1) 0.61 / 0.55			CR 42	
310	141.094/142.094/148.094 HS / Opt 4 (Heavy ALU Refo KS/LS/S, No Foam): lami / air / clr (DS 090 DS/DS) 3/4" IG											
	0.264	0.345	0.118					AIR			CL	SS-D, G,S
	U-Factor 0.49			SHGC (<1) 0.49				VT (<1) 0.55			CR 42	
	141.094/142.094/148.094 HS / Opt 4 (Heavy ALU Refo KS/LS/S, No Foam): clr / air / lami (DS/DS 090 DS) 3/4" IG											
	0.118	0.345	0.264					AIR			CL	SS-D, G,S
	U-Factor 0.49			SHGC (<1) 0.51				VT (<1) 0.55			CR 42	

NFRC 100/200/500 Summary Sheet
Windgate/Belmont/Hawthorne 2-Lite Slider

ID	Pane Thickness 1	Gap Width 1	Pane Thickness 2	Gap Width 2	Pane Thickness 3	Gap Width 3	Pane Thickness 4	Gap Fill	Low-e (Surface#)	Tint	Spacer	Grid Type
	U-Factor			Solar Heat Gain Coefficient (SHGC) Grids (None / <1 / >=1)				Visible Transmittance (VT) Grids (None / <1 / >=1)			Condensation Resistance	
311	141.094/142.094/148.094 HS / Opt 4 (Heavy ALU Refo KS/LS/S, No Foam): clr / air / clr / air / clr (SS/SS/SS) 3/4" IG (P1-S)											
	0.087	0.250	0.087	0.250	0.087			AIR		CL	SS-D	N,S
	U-Factor 0.39			SHGC (N / <1) 0.55 / 0.49				VT (N / <1) 0.58 / 0.52			CR 52	
312	141.094/142.094/148.094 HS / Opt 4 (Heavy ALU Refo KS/LS/S, No Foam): clr / air / clr / air / clr (SS/SS/SS) 3/4" IG (P1-S)											
	0.087	0.250	0.087	0.250	0.087			AIR		CL	SS-D	G,S
	U-Factor 0.39			SHGC (<1) 0.49				VT (<1) 0.52			CR 52	
313	141.094/142.094/148.094 HS / Opt 4 (Heavy ALU Refo KS/LS/S, No Foam): E270 / air / clr (SS/SS) 3/4" IG											
	0.087	0.563	0.087					AIR	0.037(#2)	CL	SS-D	N,G,S
	U-Factor 0.33			SHGC (N / <1) 0.29 / 0.26				VT (N / <1) 0.54 / 0.48			CR 55	
	141.094/142.094/148.094 HS / Opt 4 (Heavy ALU Refo KS/LS/S, No Foam): clr / air / E270 (SS/SS) 3/4" IG											
	0.087	0.563	0.087					AIR	0.037(#3)	CL	SS-D	N,G,S
	U-Factor 0.33			SHGC (N / <1) 0.35 / 0.32				VT (N / <1) 0.54 / 0.48			CR 55	
314	141.094/142.094/148.094 HS / Opt 4 (Heavy ALU Refo KS/LS/S, No Foam): E270 / arg / clr (SS/SS) 3/4" IG											
	0.087	0.563	0.087					ARG90	0.037(#2)	CL	SS-D	N,G,S
	U-Factor 0.30			SHGC (N / <1) 0.28 / 0.26				VT (N / <1) 0.54 / 0.48			CR 59	
	141.094/142.094/148.094 HS / Opt 4 (Heavy ALU Refo KS/LS/S, No Foam): clr / arg / E270 (SS/SS) 3/4" IG											
	0.087	0.563	0.087					ARG90	0.037(#3)	CL	SS-D	N,G,S
	U-Factor 0.30			SHGC (N / <1) 0.36 / 0.32				VT (N / <1) 0.54 / 0.48			CR 59	
315	141.094/142.094/148.094 HS / Opt 4 (Heavy ALU Refo KS/LS/S, No Foam): E270 / air / clr (DS/DS) 3/4" IG											
	0.118	0.500	0.118					AIR	0.037(#2)	CL	SS-D	N,G,S
	U-Factor 0.33			SHGC (N / <1) 0.29 / 0.26				VT (N / <1) 0.53 / 0.47			CR 55	
	141.094/142.094/148.094 HS / Opt 4 (Heavy ALU Refo KS/LS/S, No Foam): clr / air / E270 (DS/DS) 3/4" IG											
	0.118	0.500	0.118					AIR	0.037(#3)	CL	SS-D	N,G,S
	U-Factor 0.33			SHGC (N / <1) 0.35 / 0.31				VT (N / <1) 0.53 / 0.47			CR 55	
316	141.094/142.094/148.094 HS / Opt 4 (Heavy ALU Refo KS/LS/S, No Foam): E270 / arg / clr (DS/DS) 3/4" IG											
	0.118	0.500	0.118					ARG90	0.037(#2)	CL	SS-D	N,G,S
	U-Factor 0.29			SHGC (N / <1) 0.28 / 0.25				VT (N / <1) 0.53 / 0.47			CR 58	
	141.094/142.094/148.094 HS / Opt 4 (Heavy ALU Refo KS/LS/S, No Foam): clr / arg / E270 (DS/DS) 3/4" IG											
	0.118	0.500	0.118					ARG90	0.037(#3)	CL	SS-D	N,G,S
	U-Factor 0.29			SHGC (N / <1) 0.35 / 0.32				VT (N / <1) 0.53 / 0.47			CR 58	

**NFRC 100/200/500 Summary Sheet
Windgate/Belmont/Hawthorne 2-Lite Slider**

ID	Pane Thickness 1	Gap Width 1	Pane Thickness 2	Gap Width 2	Pane Thickness 3	Gap Width 3	Pane Thickness 4	Gap Fill	Low-e (Surface#)	Tint	Spacer	Grid Type
	U-Factor			Solar Heat Gain Coefficient (SHGC) Grids (None / <1 / >=1)				Visible Transmittance (VT) Grids (None / <1 / >=1)			Condensation Resistance	
317	141.094/142.094/148.094 HS / Opt 4 (Heavy ALU Refo KS/LS/S, No Foam): lami / arg / E270 (DS 090 DS DS) 3/4" IG											
	0.264	0.345	0.118					ARG90	0.037(#3)	CL	SS-D	N,S
	U-Factor 0.31			SHGC (N / <1) 0.33 / 0.30				VT (N / <1) 0.52 / 0.47			CR 56	
	141.094/142.094/148.094 HS / Opt 4 (Heavy ALU Refo KS/LS/S, No Foam): E270 / arg / lami (DS DS 090 DS) 3/4" IG											
	0.118	0.345	0.264					ARG90	0.037(#2)	CL	SS-D	N,S
	U-Factor 0.31			SHGC (N / <1) 0.28 / 0.25				VT (N / <1) 0.52 / 0.47			CR 56	
318	141.094/142.094/148.094 HS / Opt 4 (Heavy ALU Refo KS/LS/S, No Foam): lami / arg / E270 (DS 090 DS DS) 3/4" IG											
	0.264	0.345	0.118					ARG90	0.037(#3)	CL	SS-D	G,S
	U-Factor 0.33			SHGC (<1) 0.30				VT (<1) 0.47			CR 56	
	141.094/142.094/148.094 HS / Opt 4 (Heavy ALU Refo KS/LS/S, No Foam): E270 / arg / lami (DS DS 090 DS) 3/4" IG											
	0.118	0.345	0.264					ARG90	0.037(#2)	CL	SS-D	G,S
	U-Factor 0.33			SHGC (<1) 0.25				VT (<1) 0.47			CR 56	
319	141.094/142.094/148.094 HS / Opt 4 (Heavy ALU Refo KS/LS/S, No Foam): E270 / arg / clr / arg / E270 (SS SS SS) 3/4" IG (SS-D)											
	0.087	0.266	0.087	0.266	0.087			ARG90	0.037(#2) / 0.037(#5)	CL	SS-D	N,S
	U-Factor 0.25			SHGC (N / <1) 0.24 / 0.22				VT (N / <1) 0.42 / 0.37			CR 65	
320	141.094/142.094/148.094 HS / Opt 4 (Heavy ALU Refo KS/LS/S, No Foam): E270 / arg / clr / arg / E270 (SS SS SS) 3/4" IG (SS-D)											
	0.087	0.266	0.087	0.266	0.087			ARG90	0.037(#2) / 0.037(#5)	CL	SS-D	G,S
	U-Factor 0.26			SHGC (<1) 0.22				VT (<1) 0.37			CR 65	
321	141.094/142.094/148.094 HS / Opt 4 (Heavy ALU Refo KS/LS/S, No Foam): E366 / air / clr (SS SS) 3/4" IG											
	0.087	0.563	0.087					AIR	0.022(#2)	CL	SS-D	N,G,S
	U-Factor 0.33			SHGC (N / <1) 0.21 / 0.19				VT (N / <1) 0.50 / 0.44			CR 56	
	141.094/142.094/148.094 HS / Opt 4 (Heavy ALU Refo KS/LS/S, No Foam): clr / air / E366 (SS SS) 3/4" IG											
	0.087	0.563	0.087					AIR	0.022(#3)	CL	SS-D	N,G,S
	U-Factor 0.33			SHGC (N / <1) 0.30 / 0.27				VT (N / <1) 0.50 / 0.44			CR 56	
322	141.094/142.094/148.094 HS / Opt 4 (Heavy ALU Refo KS/LS/S, No Foam): E366 / arg / clr (SS SS) 3/4" IG											
	0.087	0.563	0.087					ARG90	0.022(#2)	CL	SS-D	N,G,S
	U-Factor 0.29			SHGC (N / <1) 0.21 / 0.19				VT (N / <1) 0.50 / 0.44			CR 59	
	141.094/142.094/148.094 HS / Opt 4 (Heavy ALU Refo KS/LS/S, No Foam): clr / arg / E366 (SS SS) 3/4" IG											
	0.087	0.563	0.087					ARG90	0.022(#3)	CL	SS-D	N,G,S
	U-Factor 0.29			SHGC (N / <1) 0.30 / 0.27				VT (N / <1) 0.50 / 0.44			CR 59	

NFRC 100/200/500 Summary Sheet
Windgate/Belmont/Hawthorne 2-Lite Slider

ID	Pane Thickness 1	Gap Width 1	Pane Thickness 2	Gap Width 2	Pane Thickness 3	Gap Width 3	Pane Thickness 4	Gap Width 4	Gap Fill	Low-e (Surface#)	Tint	Spacer	Grid Type
	U-Factor			Solar Heat Gain Coefficient (SHGC) Grids (None / <1 / >=1)				Visible Transmittance (VT) Grids (None / <1 / >=1)			Condensation Resistance		
323	141.094/142.094/148.094 HS / Opt 4 (Heavy ALU Refo KS/LS/S, No Foam): E366 / air / clr (DS/DS) 3/4" IG												
	0.117	0.500	0.118						AIR	0.022(#2)	CL	SS-D	N,G,S
	U-Factor 0.32			SHGC (N / <1) 0.21 / 0.19				VT (N / <1) 0.49 / 0.44			CR 55		
	141.094/142.094/148.094 HS / Opt 4 (Heavy ALU Refo KS/LS/S, No Foam): clr / air / E366 (DS/DS) 3/4" IG												
	0.118	0.500	0.117						AIR	0.022(#3)	CL	SS-D	N,G,S
	U-Factor 0.32			SHGC (N / <1) 0.29 / 0.27				VT (N / <1) 0.49 / 0.44			CR 55		
324	141.094/142.094/148.094 HS / Opt 4 (Heavy ALU Refo KS/LS/S, No Foam): E366 / arg / clr (DS/DS) 3/4" IG												
	0.117	0.500	0.118						ARG90	0.022(#2)	CL	SS-D	N,G,S
	U-Factor 0.29			SHGC (N / <1) 0.21 / 0.19				VT (N / <1) 0.49 / 0.44			CR 59		
	141.094/142.094/148.094 HS / Opt 4 (Heavy ALU Refo KS/LS/S, No Foam): clr / arg / E366 (DS/DS) 3/4" IG												
	0.118	0.500	0.117						ARG90	0.022(#3)	CL	SS-D	N,G,S
	U-Factor 0.29			SHGC (N / <1) 0.30 / 0.27				VT (N / <1) 0.49 / 0.44			CR 59		
325	141.094/142.094/148.094 HS / Opt 4 (Heavy ALU Refo KS/LS/S, No Foam): lami / arg / E366 (DS 090 DS/DS) 3/4" IG												
	0.264	0.345	0.117						ARG90	0.022(#3)	CL	SS-D	N,S
	U-Factor 0.31			SHGC (N / <1) 0.29 / 0.26				VT (N / <1) 0.48 / 0.43			CR 56		
	141.094/142.094/148.094 HS / Opt 4 (Heavy ALU Refo KS/LS/S, No Foam): E366 / arg / lami (DS/DS 090 DS) 3/4" IG												
	0.117	0.345	0.264						ARG90	0.022(#2)	CL	SS-D	N,S
	U-Factor 0.31			SHGC (N / <1) 0.21 / 0.19				VT (N / <1) 0.48 / 0.43			CR 56		
326	141.094/142.094/148.094 HS / Opt 4 (Heavy ALU Refo KS/LS/S, No Foam): lami / arg / E366 (DS 090 DS/DS) 3/4" IG												
	0.264	0.345	0.117						ARG90	0.022(#3)	CL	SS-D	G,S
	U-Factor 0.32			SHGC (<1) 0.26				VT (<1) 0.43			CR 56		
	141.094/142.094/148.094 HS / Opt 4 (Heavy ALU Refo KS/LS/S, No Foam): E366 / arg / lami (DS/DS 090 DS) 3/4" IG												
	0.117	0.345	0.264						ARG90	0.022(#2)	CL	SS-D	G,S
	U-Factor 0.32			SHGC (<1) 0.19				VT (<1) 0.43			CR 56		
327	141.094/142.094/148.094 HS / Opt 4 (Heavy ALU Refo KS/LS/S, No Foam): E366 / arg / clr / arg / E366 (SS/SS/SS) 3/4" IG (SS-D)												
	0.087	0.266	0.087	0.266	0.087				ARG90	0.022(#2) / 0.022(#5)	CL	SS-D	N,S
	U-Factor 0.25			SHGC (N / <1) 0.19 / 0.17				VT (N / <1) 0.36 / 0.32			CR 65		
328	141.094/142.094/148.094 HS / Opt 4 (Heavy ALU Refo KS/LS/S, No Foam): E366 / arg / clr / arg / E366 (SS/SS/SS) 3/4" IG (SS-D)												
	0.087	0.266	0.087	0.266	0.087				ARG90	0.022(#2) / 0.022(#5)	CL	SS-D	G,S
	U-Factor 0.25			SHGC (<1) 0.17				VT (<1) 0.32			CR 65		

NFRC 100/200/500 Summary Sheet
Windgate/Belmont/Hawthorne 2-Lite Slider

ID	Pane Thickness 1	Gap Width 1	Pane Thickness 2	Gap Width 2	Pane Thickness 3	Gap Width 3	Pane Thickness 4	Gap Width 4	Gap Fill	Low-e (Surface#)	Tint	Spacer	Grid Type
	U-Factor			Solar Heat Gain Coefficient (SHGC) Grids (None / <1 / >=1)				Visible Transmittance (VT) Grids (None / <1 / >=1)			Condensation Resistance		
329	141.094/142.094/148.094 HS / Opt 4 (Heavy ALU Refo KS/LS/S, No Foam): clr / air / clr (SS/SS) 3/4" IG												
	0.087	0.563	0.087						AIR		CL	TS-D	N,G,S
	U-Factor 0.47			SHGC (N / <1) 0.61 / 0.54				VT (N / <1) 0.63 / 0.56			CR 44		
330	141.094/142.094/148.094 HS / Opt 4 (Heavy ALU Refo KS/LS/S, No Foam): clr / air / clr (DS/DS) 3/4" IG												
	0.118	0.500	0.118						AIR		CL	TS-D	N,G,S
	U-Factor 0.46			SHGC (N / <1) 0.59 / 0.53				VT (N / <1) 0.62 / 0.56			CR 43		
331	141.094/142.094/148.094 HS / Opt 4 (Heavy ALU Refo KS/LS/S, No Foam): clr / air / clr (5mm/DS) 3/4" IG												
	0.185	0.438	0.118						AIR		CL	TS-D	N,G,S
	U-Factor 0.47			SHGC (N / <1) 0.57 / 0.51				VT (N / <1) 0.62 / 0.55			CR 42		
332	141.094/142.094/148.094 HS / Opt 4 (Heavy ALU Refo KS/LS/S, No Foam): clr / air / clr (5mm/DS) 3/4" IG												
	0.185	0.438	0.118						AIR		CL	TS-D	G
	U-Factor 0.47			SHGC (<1) 0.51				VT (<1) 0.55			CR 42		
333	141.094/142.094/148.094 HS / Opt 4 (Heavy ALU Refo KS/LS/S, No Foam): lami / air / clr (DS 090 DS/DS) 3/4" IG												
	0.264	0.345	0.118						AIR		CL	TS-D	N,S
	U-Factor 0.48			SHGC (N / <1) 0.55 / 0.49				VT (N / <1) 0.61 / 0.55			CR 42		
	141.094/142.094/148.094 HS / Opt 4 (Heavy ALU Refo KS/LS/S, No Foam): clr / air / lami (DS/DS 090 DS) 3/4" IG												
	0.118	0.345	0.264						AIR		CL	TS-D	N,S
	U-Factor 0.48			SHGC (N / <1) 0.57 / 0.51				VT (N / <1) 0.61 / 0.55			CR 42		
334	141.094/142.094/148.094 HS / Opt 4 (Heavy ALU Refo KS/LS/S, No Foam): lami / air / clr (DS 090 DS/DS) 3/4" IG												
	0.264	0.345	0.118						AIR		CL	TS-D	G,S
	U-Factor 0.49			SHGC (<1) 0.49				VT (<1) 0.55			CR 42		
	141.094/142.094/148.094 HS / Opt 4 (Heavy ALU Refo KS/LS/S, No Foam): clr / air / lami (DS/DS 090 DS) 3/4" IG												
	0.118	0.345	0.264						AIR		CL	TS-D	G,S
	U-Factor 0.49			SHGC (<1) 0.51				VT (<1) 0.55			CR 42		
335	141.094/142.094/148.094 HS / Opt 4 (Heavy ALU Refo KS/LS/S, No Foam): clr / air / clr / air / clr (SS/SS/SS) 3/4" IG (P1-S)												
	0.087	0.250	0.087	0.250	0.087				AIR		CL	TS-D	N,S
	U-Factor 0.39			SHGC (N / <1) 0.55 / 0.49				VT (N / <1) 0.58 / 0.52			CR 50		
336	141.094/142.094/148.094 HS / Opt 4 (Heavy ALU Refo KS/LS/S, No Foam): clr / air / clr / air / clr (SS/SS/SS) 3/4" IG (P1-S)												
	0.087	0.250	0.087	0.250	0.087				AIR		CL	TS-D	G,S
	U-Factor 0.40			SHGC (<1) 0.49				VT (<1) 0.52			CR 50		

**NFRC 100/200/500 Summary Sheet
Windgate/Belmont/Hawthorne 2-Lite Slider**

ID	Pane Thickness 1	Gap Width 1	Pane Thickness 2	Gap Width 2	Pane Thickness 3	Gap Width 3	Pane Thickness 4	Gap Width 4	Gap Fill	Low-e (Surface#)	Tint	Spacer	Grid Type
	U-Factor			Solar Heat Gain Coefficient (SHGC) Grids (None / <1 / >=1)					Visible Transmittance (VT) Grids (None / <1 / >=1)			Condensation Resistance	
337	141.094/142.094/148.094 HS / Opt 4 (Heavy ALU Refo KS/LS/S, No Foam): 70/36 / air / clr (SS/SS) 3/4" IG												
	0.090	0.563	0.090						AIR	0.036(#2)	CL	TS-D	N,G,S
	U-Factor 0.33			SHGC (N / <1) 0.30 / 0.27					VT (N / <1) 0.54 / 0.48			CR 54	
	141.094/142.094/148.094 HS / Opt 4 (Heavy ALU Refo KS/LS/S, No Foam): clr / air / 70/36 (SS/SS) 3/4" IG												
	0.090	0.563	0.090						AIR	0.036(#3)	CL	TS-D	N,G,S
	U-Factor 0.33			SHGC (N / <1) 0.37 / 0.33					VT (N / <1) 0.54 / 0.48			CR 54	
338	141.094/142.094/148.094 HS / Opt 4 (Heavy ALU Refo KS/LS/S, No Foam): 70/36 / arg / clr (SS/SS) 3/4" IG												
	0.090	0.563	0.090						ARG90	0.036(#2)	CL	TS-D	N,G,S
	U-Factor 0.30			SHGC (N / <1) 0.30 / 0.27					VT (N / <1) 0.54 / 0.48			CR 57	
	141.094/142.094/148.094 HS / Opt 4 (Heavy ALU Refo KS/LS/S, No Foam): clr / arg / 70/36 (SS/SS) 3/4" IG												
	0.090	0.563	0.090						ARG90	0.036(#3)	CL	TS-D	N,G,S
	U-Factor 0.30			SHGC (N / <1) 0.38 / 0.34					VT (N / <1) 0.54 / 0.48			CR 57	
339	141.094/142.094/148.094 HS / Opt 4 (Heavy ALU Refo KS/LS/S, No Foam): 70/36 / air / clr (DS/DS) 3/4" IG												
	0.117	0.500	0.117						AIR	0.036(#2)	CL	TS-D	N,G,S
	U-Factor 0.33			SHGC (N / <1) 0.30 / 0.27					VT (N / <1) 0.53 / 0.47			CR 53	
	141.094/142.094/148.094 HS / Opt 4 (Heavy ALU Refo KS/LS/S, No Foam): clr / air / 70/36 (DS/DS) 3/4" IG												
	0.117	0.500	0.117						AIR	0.036(#3)	CL	TS-D	N,G,S
	U-Factor 0.33			SHGC (N / <1) 0.37 / 0.33					VT (N / <1) 0.53 / 0.47			CR 53	
340	141.094/142.094/148.094 HS / Opt 4 (Heavy ALU Refo KS/LS/S, No Foam): 70/36 / arg / clr (DS/DS) 3/4" IG												
	0.117	0.500	0.117						ARG90	0.036(#2)	CL	TS-D	N,G,S
	U-Factor 0.30			SHGC (N / <1) 0.29 / 0.27					VT (N / <1) 0.53 / 0.47			CR 56	
	141.094/142.094/148.094 HS / Opt 4 (Heavy ALU Refo KS/LS/S, No Foam): clr / arg / 70/36 (DS/DS) 3/4" IG												
	0.117	0.500	0.117						ARG90	0.036(#3)	CL	TS-D	N,G,S
	U-Factor 0.30			SHGC (N / <1) 0.37 / 0.33					VT (N / <1) 0.53 / 0.47			CR 56	
341	141.094/142.094/148.094 HS / Opt 4 (Heavy ALU Refo KS/LS/S, No Foam): lami / arg / 70/36 (DS 090 DS/DS) 3/4" IG												
	0.264	0.345	0.117						ARG90	0.036(#3)	CL	TS-D	N,S
	U-Factor 0.31			SHGC (N / <1) 0.35 / 0.32					VT (N / <1) 0.52 / 0.47			CR 55	
	141.094/142.094/148.094 HS / Opt 4 (Heavy ALU Refo KS/LS/S, No Foam): 70/36 / arg / lami (DS/DS 090 DS) 3/4" IG												
	0.117	0.345	0.264						ARG90	0.036(#2)	CL	TS-D	N,S
	U-Factor 0.31			SHGC (N / <1) 0.29 / 0.26					VT (N / <1) 0.52 / 0.47			CR 55	

NFRC 100/200/500 Summary Sheet
Windgate/Belmont/Hawthorne 2-Lite Slider

ID	Pane Thickness 1	Gap Width 1	Pane Thickness 2	Gap Width 2	Pane Thickness 3	Gap Width 3	Pane Thickness 4	Gap Fill	Low-e (Surface#)	Tint	Spacer	Grid Type
	U-Factor			Solar Heat Gain Coefficient (SHGC) Grids (None / <1 / >=1)				Visible Transmittance (VT) Grids (None / <1 / >=1)			Condensation Resistance	
342	141.094/142.094/148.094 HS / Opt 4 (Heavy ALU Refo KS/LS/S, No Foam): lami / arg / 70/36 (DS 090 DS/DS) 3/4" IG											
	0.264	0.345	0.117					ARG90	0.036(#3)	CL	TS-D	G,S
	U-Factor 0.33			SHGC (<1) 0.32				VT (<1) 0.47			CR 55	
	141.094/142.094/148.094 HS / Opt 4 (Heavy ALU Refo KS/LS/S, No Foam): 70/36 / arg / lami (DS/DS 090 DS) 3/4" IG											
	0.117	0.345	0.264					ARG90	0.036(#2)	CL	TS-D	G,S
	U-Factor 0.33			SHGC (<1) 0.26				VT (<1) 0.47			CR 55	
343	141.094/142.094/148.094 HS / Opt 4 (Heavy ALU Refo KS/LS/S, No Foam): 70/36 / arg / clr / arg / 70/36 (SS/SS/SS) 3/4" IG											
	0.090	0.250	0.090	0.250	0.090			ARG90	0.036(#2) / 0.036(#5)	CL	TS-D	N,S
	U-Factor 0.26			SHGC (N / <1) 0.26 / 0.23				VT (N / <1) 0.42 / 0.37			CR 62	
344	141.094/142.094/148.094 HS / Opt 4 (Heavy ALU Refo KS/LS/S, No Foam): 70/36 / arg / clr / arg / 70/36 (SS/SS/SS) 3/4" IG											
	0.090	0.250	0.090	0.250	0.090			ARG90	0.036(#2) / 0.036(#5)	CL	TS-D	G,S
	U-Factor 0.27			SHGC (<1) 0.23				VT (<1) 0.37			CR 62	
345	141.094/142.094/148.094 HS / Opt 4 (Heavy ALU Refo KS/LS/S, No Foam): 80/70 / air / clr (SS/SS) 3/4" IG											
	0.090	0.563	0.090					AIR	0.095(#2)	CL	TS-D	N,G,S
	U-Factor 0.35			SHGC (N / <1) 0.51 / 0.46				VT (N / <1) 0.62 / 0.55			CR 53	
	141.094/142.094/148.094 HS / Opt 4 (Heavy ALU Refo KS/LS/S, No Foam): clr / air / 80/70 (SS/SS) 3/4" IG											
	0.090	0.563	0.090					AIR	0.095(#3)	CL	TS-D	N,G,S
	U-Factor 0.35			SHGC (N / <1) 0.54 / 0.49				VT (N / <1) 0.62 / 0.55			CR 53	
346	141.094/142.094/148.094 HS / Opt 4 (Heavy ALU Refo KS/LS/S, No Foam): 80/70 / arg / clr (SS/SS) 3/4" IG											
	0.090	0.563	0.090					ARG90	0.095(#2)	CL	TS-D	N,G,S
	U-Factor 0.32			SHGC (N / <1) 0.51 / 0.46				VT (N / <1) 0.62 / 0.55			CR 56	
	141.094/142.094/148.094 HS / Opt 4 (Heavy ALU Refo KS/LS/S, No Foam): clr / arg / 80/70 (SS/SS) 3/4" IG											
	0.090	0.563	0.090					ARG90	0.095(#3)	CL	TS-D	N,G,S
	U-Factor 0.32			SHGC (N / <1) 0.54 / 0.49				VT (N / <1) 0.62 / 0.55			CR 56	
347	141.094/142.094/148.094 HS / Opt 4 (Heavy ALU Refo KS/LS/S, No Foam): 80/70 / air / clr (DS/DS) 3/4" IG											
	0.117	0.500	0.117					AIR	0.095(#2)	CL	TS-D	N,G,S
	U-Factor 0.34			SHGC (N / <1) 0.51 / 0.45				VT (N / <1) 0.61 / 0.55			CR 52	
	141.094/142.094/148.094 HS / Opt 4 (Heavy ALU Refo KS/LS/S, No Foam): clr / air / 80/70 (DS/DS) 3/4" IG											
	0.117	0.500	0.117					AIR	0.095(#3)	CL	TS-D	N,G,S
	U-Factor 0.34			SHGC (N / <1) 0.53 / 0.48				VT (N / <1) 0.61 / 0.55			CR 52	

NFRC 100/200/500 Summary Sheet
Windgate/Belmont/Hawthorne 2-Lite Slider

ID	Pane Thickness 1	Gap Width 1	Pane Thickness 2	Gap Width 2	Pane Thickness 3	Gap Width 3	Pane Thickness 4	Gap Fill	Low-e (Surface#)	Tint	Spacer	Grid Type
	U-Factor			Solar Heat Gain Coefficient (SHGC) Grids (None / <1 / >=1)				Visible Transmittance (VT) Grids (None / <1 / >=1)			Condensation Resistance	
348	141.094/142.094/148.094 HS / Opt 4 (Heavy ALU Refo KS/LS/S, No Foam): 80/70 / arg / clr (DS/DS) 3/4" IG											
	0.117	0.500	0.117					ARG90	0.095(#2)	CL	TS-D	N,G,S
	U-Factor 0.31			SHGC (N / <1) 0.51 / 0.45				VT (N / <1) 0.61 / 0.55			CR 55	
	141.094/142.094/148.094 HS / Opt 4 (Heavy ALU Refo KS/LS/S, No Foam): clr / arg / 80/70 (DS/DS) 3/4" IG											
	0.117	0.500	0.117					ARG90	0.095(#3)	CL	TS-D	N,G,S
	U-Factor 0.31			SHGC (N / <1) 0.54 / 0.48				VT (N / <1) 0.61 / 0.55			CR 55	
349	141.094/142.094/148.094 HS / Opt 4 (Heavy ALU Refo KS/LS/S, No Foam): lami / arg / 80/70 (DS 090 DS/DS) 3/4" IG											
	0.264	0.345	0.117					ARG90	0.095(#3)	CL	TS-D	N,S
	U-Factor 0.33			SHGC (N / <1) 0.49 / 0.44				VT (N / <1) 0.60 / 0.54			CR 54	
	141.094/142.094/148.094 HS / Opt 4 (Heavy ALU Refo KS/LS/S, No Foam): 80/70 / arg / lami (DS/DS 090 DS) 3/4" IG											
	0.117	0.345	0.264					ARG90	0.095(#2)	CL	TS-D	N,S
	U-Factor 0.33			SHGC (N / <1) 0.50 / 0.45				VT (N / <1) 0.60 / 0.54			CR 54	
350	141.094/142.094/148.094 HS / Opt 4 (Heavy ALU Refo KS/LS/S, No Foam): lami / arg / 80/70 (DS 090 DS/DS) 3/4" IG											
	0.264	0.345	0.117					ARG90	0.095(#3)	CL	TS-D	G,S
	U-Factor 0.34			SHGC (<1) 0.44				VT (<1) 0.54			CR 54	
	141.094/142.094/148.094 HS / Opt 4 (Heavy ALU Refo KS/LS/S, No Foam): 80/70 / arg / lami (DS/DS 090 DS) 3/4" IG											
	0.117	0.345	0.264					ARG90	0.095(#2)	CL	TS-D	G,S
	U-Factor 0.34			SHGC (<1) 0.45				VT (<1) 0.54			CR 54	
351	141.094/142.094/148.094 HS / Opt 4 (Heavy ALU Refo KS/LS/S, No Foam): 80/70 / arg / clr / arg / 80/70 (SS/SS/SS) 3/4" IG											
	0.090	0.250	0.090	0.250	0.090			ARG90	0.095(#2) / 0.095(#5)	CL	TS-D	N,S
	U-Factor 0.27			SHGC (N / <1) 0.45 / 0.41				VT (N / <1) 0.56 / 0.50			CR 61	
352	141.094/142.094/148.094 HS / Opt 4 (Heavy ALU Refo KS/LS/S, No Foam): 80/70 / arg / clr / arg / 80/70 (SS/SS/SS) 3/4" IG											
	0.090	0.250	0.090	0.250	0.090			ARG90	0.095(#2) / 0.095(#5)	CL	TS-D	G,S
	U-Factor 0.28			SHGC (<1) 0.41				VT (<1) 0.50			CR 61	
353	141.094/142.094/148.094 HS / Opt 5 (INN Refo KS/LS, No Foam): clr / air / clr (SS/SS) 3/4" IG											
	0.087	0.563	0.087					AIR		CL	P1-S	N,G,S
	U-Factor 0.45			SHGC (N / <1) 0.61 / 0.54				VT (N / <1) 0.63 / 0.56			CR 46	
354	141.094/142.094/148.094 HS / Opt 5 (INN Refo KS/LS, No Foam): clr / air / clr (DS/DS) 3/4" IG											
	0.118	0.500	0.118					AIR		CL	P1-S	N,G,S
	U-Factor 0.45			SHGC (N / <1) 0.59 / 0.53				VT (N / <1) 0.62 / 0.56			CR 45	

**NFRC 100/200/500 Summary Sheet
Windgate/Belmont/Hawthorne 2-Lite Slider**

ID	Pane Thickness 1	Gap Width 1	Pane Thickness 2	Gap Width 2	Pane Thickness 3	Gap Width 3	Pane Thickness 4	Gap Fill	Low-e (Surface#)	Tint	Spacer	Grid Type
	U-Factor			Solar Heat Gain Coefficient (SHGC) Grids (None / <1 / >=1)				Visible Transmittance (VT) Grids (None / <1 / >=1)			Condensation Resistance	
355	141.094/142.094/148.094 HS / Opt 5 (INN Refo KS/LS, No Foam): clr / air / clr (5mm/DS) 3/4" IG											
	0.185	0.438	0.118					AIR		CL	P1-S	N,G,S
	U-Factor 0.45			SHGC (N / <1) 0.57 / 0.51				VT (N / <1) 0.62 / 0.55			CR 45	
356	141.094/142.094/148.094 HS / Opt 5 (INN Refo KS/LS, No Foam): clr / air / clr (5mm/DS) 3/4" IG											
	0.185	0.438	0.118					AIR		CL	P1-S	G
	U-Factor 0.46			SHGC (<1) 0.51				VT (<1) 0.55			CR 45	
357	141.094/142.094/148.094 HS / Opt 5 (INN Refo KS/LS, No Foam): lami / air / clr (DS 090 DS/DS) 3/4" IG											
	0.264	0.345	0.118					AIR		CL	P1-S	N,S
	U-Factor 0.47			SHGC (N / <1) 0.55 / 0.49				VT (N / <1) 0.61 / 0.55			CR 44	
	141.094/142.094/148.094 HS / Opt 5 (INN Refo KS/LS, No Foam): clr / air / lami (DS/DS 090 DS) 3/4" IG											
	0.118	0.345	0.264					AIR		CL	P1-S	N,S
	U-Factor 0.47			SHGC (N / <1) 0.57 / 0.51				VT (N / <1) 0.61 / 0.55			CR 44	
358	141.094/142.094/148.094 HS / Opt 5 (INN Refo KS/LS, No Foam): lami / air / clr (DS 090 DS/DS) 3/4" IG											
	0.264	0.345	0.118					AIR		CL	P1-S	G,S
	U-Factor 0.47			SHGC (<1) 0.49				VT (<1) 0.55			CR 44	
	141.094/142.094/148.094 HS / Opt 5 (INN Refo KS/LS, No Foam): clr / air / lami (DS/DS 090 DS) 3/4" IG											
	0.118	0.345	0.264					AIR		CL	P1-S	G,S
	U-Factor 0.47			SHGC (<1) 0.51				VT (<1) 0.55			CR 44	
359	141.094/142.094/148.094 HS / Opt 5 (INN Refo KS/LS, No Foam): clr / air / clr / air / clr (SS/SS/SS) 3/4" IG (P1-S)											
	0.087	0.250	0.087	0.250	0.087			AIR		CL	P1-S	N,S
	U-Factor 0.37			SHGC (N / <1) 0.55 / 0.49				VT (N / <1) 0.58 / 0.52			CR 53	
360	141.094/142.094/148.094 HS / Opt 5 (INN Refo KS/LS, No Foam): clr / air / clr / air / clr (SS/SS/SS) 3/4" IG (P1-S)											
	0.087	0.250	0.087	0.250	0.087			AIR		CL	P1-S	G,S
	U-Factor 0.38			SHGC (<1) 0.49				VT (<1) 0.52			CR 53	
361	141.094/142.094/148.094 HS / Opt 5 (INN Refo KS/LS, No Foam): E270 / air / clr (SS/SS) 3/4" IG											
	0.087	0.563	0.087					AIR	0.037(#2)	CL	P1-S	N,G,S
	U-Factor 0.31			SHGC (N / <1) 0.29 / 0.26				VT (N / <1) 0.54 / 0.48			CR 58	
	141.094/142.094/148.094 HS / Opt 5 (INN Refo KS/LS, No Foam): clr / air / E270 (SS/SS) 3/4" IG											
	0.087	0.563	0.087					AIR	0.037(#3)	CL	P1-S	N,G,S
	U-Factor 0.31			SHGC (N / <1) 0.35 / 0.32				VT (N / <1) 0.54 / 0.48			CR 58	

**NFRC 100/200/500 Summary Sheet
Windgate/Belmont/Hawthorne 2-Lite Slider**

ID	Pane Thickness 1	Gap Width 1	Pane Thickness 2	Gap Width 2	Pane Thickness 3	Gap Width 3	Pane Thickness 4	Gap Fill	Low-e (Surface#)	Tint	Spacer	Grid Type
	U-Factor			Solar Heat Gain Coefficient (SHGC) Grids (None / <1 / >=1)				Visible Transmittance (VT) Grids (None / <1 / >=1)			Condensation Resistance	
362	141.094/142.094/148.094 HS / Opt 5 (INN Refo KS/LS, No Foam): E270 / arg / clr (SS/SS) 3/4" IG											
	0.087	0.563	0.087					ARG90	0.037(#2)	CL	P1-S	N,G,S
	U-Factor 0.28			SHGC (N / <1) 0.28 / 0.26				VT (N / <1) 0.54 / 0.48			CR 62	
	141.094/142.094/148.094 HS / Opt 5 (INN Refo KS/LS, No Foam): clr / arg / E270 (SS/SS) 3/4" IG											
	0.087	0.563	0.087					ARG90	0.037(#3)	CL	P1-S	N,G,S
	U-Factor 0.28			SHGC (N / <1) 0.36 / 0.32				VT (N / <1) 0.54 / 0.48			CR 62	
363	141.094/142.094/148.094 HS / Opt 5 (INN Refo KS/LS, No Foam): E270 / air / clr (DS/DS) 3/4" IG											
	0.118	0.500	0.118					AIR	0.037(#2)	CL	P1-S	N,G,S
	U-Factor 0.31			SHGC (N / <1) 0.29 / 0.26				VT (N / <1) 0.53 / 0.47			CR 58	
	141.094/142.094/148.094 HS / Opt 5 (INN Refo KS/LS, No Foam): clr / air / E270 (DS/DS) 3/4" IG											
	0.118	0.500	0.118					AIR	0.037(#3)	CL	P1-S	N,G,S
	U-Factor 0.31			SHGC (N / <1) 0.35 / 0.31				VT (N / <1) 0.53 / 0.47			CR 58	
364	141.094/142.094/148.094 HS / Opt 5 (INN Refo KS/LS, No Foam): E270 / arg / clr (DS/DS) 3/4" IG											
	0.118	0.500	0.118					ARG90	0.037(#2)	CL	P1-S	N,G,S
	U-Factor 0.28			SHGC (N / <1) 0.28 / 0.25				VT (N / <1) 0.53 / 0.47			CR 61	
	141.094/142.094/148.094 HS / Opt 5 (INN Refo KS/LS, No Foam): clr / arg / E270 (DS/DS) 3/4" IG											
	0.118	0.500	0.118					ARG90	0.037(#3)	CL	P1-S	N,G,S
	U-Factor 0.28			SHGC (N / <1) 0.35 / 0.32				VT (N / <1) 0.53 / 0.47			CR 61	
365	141.094/142.094/148.094 HS / Opt 5 (INN Refo KS/LS, No Foam): lami / arg / E270 (DS 090 DS/DS) 3/4" IG											
	0.264	0.345	0.118					ARG90	0.037(#3)	CL	P1-S	N,S
	U-Factor 0.30			SHGC (N / <1) 0.33 / 0.30				VT (N / <1) 0.52 / 0.47			CR 59	
	141.094/142.094/148.094 HS / Opt 5 (INN Refo KS/LS, No Foam): E270 / arg / lami (DS/DS 090 DS) 3/4" IG											
	0.118	0.345	0.264					ARG90	0.037(#2)	CL	P1-S	N,S
	U-Factor 0.30			SHGC (N / <1) 0.28 / 0.25				VT (N / <1) 0.52 / 0.47			CR 59	
366	141.094/142.094/148.094 HS / Opt 5 (INN Refo KS/LS, No Foam): lami / arg / E270 (DS 090 DS/DS) 3/4" IG											
	0.264	0.345	0.118					ARG90	0.037(#3)	CL	P1-S	G,S
	U-Factor 0.31			SHGC (<1) 0.30				VT (<1) 0.47			CR 59	
	141.094/142.094/148.094 HS / Opt 5 (INN Refo KS/LS, No Foam): E270 / arg / lami (DS/DS 090 DS) 3/4" IG											
	0.118	0.345	0.264					ARG90	0.037(#2)	CL	P1-S	G,S
	U-Factor 0.31			SHGC (<1) 0.25				VT (<1) 0.47			CR 59	

NFRC 100/200/500 Summary Sheet
Windgate/Belmont/Hawthorne 2-Lite Slider

ID	Pane Thickness 1	Gap Width 1	Pane Thickness 2	Gap Width 2	Pane Thickness 3	Gap Width 3	Pane Thickness 4	Gap Fill	Low-e (Surface#)	Tint	Spacer	Grid Type
	U-Factor			Solar Heat Gain Coefficient (SHGC) Grids (None / <1 / >=1)				Visible Transmittance (VT) Grids (None / <1 / >=1)			Condensation Resistance	
367	141.094/142.094/148.094 HS / Opt 5 (INN Refo KS/LS, No Foam): E270 / arg / clr / arg / E270 (SS/SS/SS) 3/4" IG (P1-S)											
	0.087	0.250	0.087	0.250	0.087			ARG90	0.037(#2) / 0.037(#5)	CL	P1-S	N,S
	U-Factor 0.24			SHGC (N / <1) 0.24 / 0.22				VT (N / <1) 0.42 / 0.37			CR 67	
368	141.094/142.094/148.094 HS / Opt 5 (INN Refo KS/LS, No Foam): E270 / arg / clr / arg / E270 (SS/SS/SS) 3/4" IG (P1-S)											
	0.087	0.250	0.087	0.250	0.087			ARG90	0.037(#2) / 0.037(#5)	CL	P1-S	G,S
	U-Factor 0.25			SHGC (<1) 0.22				VT (<1) 0.37			CR 67	
369	141.094/142.094/148.094 HS / Opt 5 (INN Refo KS/LS, No Foam): E366 / air / clr (SS/SS) 3/4" IG											
	0.087	0.563	0.087					AIR	0.022(#2)	CL	P1-S	N,G,S
	U-Factor 0.31			SHGC (N / <1) 0.21 / 0.19				VT (N / <1) 0.50 / 0.44			CR 59	
	141.094/142.094/148.094 HS / Opt 5 (INN Refo KS/LS, No Foam): clr / air / E366 (SS/SS) 3/4" IG											
	0.087	0.563	0.087					AIR	0.022(#3)	CL	P1-S	N,G,S
	U-Factor 0.31			SHGC (N / <1) 0.30 / 0.27				VT (N / <1) 0.50 / 0.44			CR 59	
370	141.094/142.094/148.094 HS / Opt 5 (INN Refo KS/LS, No Foam): E366 / arg / clr (SS/SS) 3/4" IG											
	0.087	0.563	0.087					ARG90	0.022(#2)	CL	P1-S	N,G,S
	U-Factor 0.27			SHGC (N / <1) 0.21 / 0.19				VT (N / <1) 0.50 / 0.44			CR 63	
	141.094/142.094/148.094 HS / Opt 5 (INN Refo KS/LS, No Foam): clr / arg / E366 (SS/SS) 3/4" IG											
	0.087	0.563	0.087					ARG90	0.022(#3)	CL	P1-S	N,G,S
	U-Factor 0.27			SHGC (N / <1) 0.30 / 0.27				VT (N / <1) 0.50 / 0.44			CR 63	
371	141.094/142.094/148.094 HS / Opt 5 (INN Refo KS/LS, No Foam): E366 / air / clr (DS/DS) 3/4" IG											
	0.117	0.500	0.118					AIR	0.022(#2)	CL	P1-S	N,G,S
	U-Factor 0.31			SHGC (N / <1) 0.21 / 0.19				VT (N / <1) 0.49 / 0.44			CR 58	
	141.094/142.094/148.094 HS / Opt 5 (INN Refo KS/LS, No Foam): clr / air / E366 (DS/DS) 3/4" IG											
	0.118	0.500	0.117					AIR	0.022(#3)	CL	P1-S	N,G,S
	U-Factor 0.31			SHGC (N / <1) 0.29 / 0.27				VT (N / <1) 0.49 / 0.44			CR 58	
372	141.094/142.094/148.094 HS / Opt 5 (INN Refo KS/LS, No Foam): E366 / arg / clr (DS/DS) 3/4" IG											
	0.117	0.500	0.118					ARG90	0.022(#2)	CL	P1-S	N,G,S
	U-Factor 0.27			SHGC (N / <1) 0.21 / 0.19				VT (N / <1) 0.49 / 0.44			CR 62	
	141.094/142.094/148.094 HS / Opt 5 (INN Refo KS/LS, No Foam): clr / arg / E366 (DS/DS) 3/4" IG											
	0.118	0.500	0.117					ARG90	0.022(#3)	CL	P1-S	N,G,S
	U-Factor 0.27			SHGC (N / <1) 0.30 / 0.27				VT (N / <1) 0.49 / 0.44			CR 62	

NFRC 100/200/500 Summary Sheet
Windgate/Belmont/Hawthorne 2-Lite Slider

ID	Pane Thickness 1	Gap Width 1	Pane Thickness 2	Gap Width 2	Pane Thickness 3	Gap Width 3	Pane Thickness 4	Gap Fill	Low-e (Surface#)	Tint	Spacer	Grid Type
	U-Factor			Solar Heat Gain Coefficient (SHGC) Grids (None / <1 / >=1)				Visible Transmittance (VT) Grids (None / <1 / >=1)			Condensation Resistance	
373	141.094/142.094/148.094 HS / Opt 5 (INN Refo KS/LS, No Foam): lami / arg / E366 (DS 090 DS/DS) 3/4" IG											
	0.264	0.345	0.117					ARG90	0.022(#3)	CL	P1-S	N,S
	U-Factor 0.29			SHGC (N / <1) 0.29 / 0.26				VT (N / <1) 0.48 / 0.43			CR 60	
	141.094/142.094/148.094 HS / Opt 5 (INN Refo KS/LS, No Foam): E366 / arg / lami (DS/DS 090 DS) 3/4" IG											
	0.117	0.345	0.264					ARG90	0.022(#2)	CL	P1-S	N,S
	U-Factor 0.29			SHGC (N / <1) 0.21 / 0.19				VT (N / <1) 0.48 / 0.43			CR 60	
374	141.094/142.094/148.094 HS / Opt 5 (INN Refo KS/LS, No Foam): lami / arg / E366 (DS 090 DS/DS) 3/4" IG											
	0.264	0.345	0.117					ARG90	0.022(#3)	CL	P1-S	G,S
	U-Factor 0.31			SHGC (<1) 0.26				VT (<1) 0.43			CR 60	
	141.094/142.094/148.094 HS / Opt 5 (INN Refo KS/LS, No Foam): E366 / arg / lami (DS/DS 090 DS) 3/4" IG											
	0.117	0.345	0.264					ARG90	0.022(#2)	CL	P1-S	G,S
	U-Factor 0.31			SHGC (<1) 0.19				VT (<1) 0.43			CR 60	
375	141.094/142.094/148.094 HS / Opt 5 (INN Refo KS/LS, No Foam): E366 / arg / clr / arg / E366 (SS/SS/SS) 3/4" IG (P1-S)											
	0.087	0.250	0.087	0.250	0.087			ARG90	0.022(#2) / 0.022(#5)	CL	P1-S	N,S
	U-Factor 0.24			SHGC (N / <1) 0.19 / 0.17				VT (N / <1) 0.36 / 0.32			CR 68	
376	141.094/142.094/148.094 HS / Opt 5 (INN Refo KS/LS, No Foam): E366 / arg / clr / arg / E366 (SS/SS/SS) 3/4" IG (P1-S)											
	0.087	0.250	0.087	0.250	0.087			ARG90	0.022(#2) / 0.022(#5)	CL	P1-S	G,S
	U-Factor 0.25			SHGC (<1) 0.17				VT (<1) 0.32			CR 68	
377	141.094/142.094/148.094 HS / Opt 5 (INN Refo KS/LS, No Foam): 70/36 / air / clr (SS/SS) 3/4" IG											
	0.090	0.563	0.090					AIR	0.036(#2)	CL	P1-S	N,G,S
	U-Factor 0.31			SHGC (N / <1) 0.30 / 0.27				VT (N / <1) 0.54 / 0.48			CR 58	
	141.094/142.094/148.094 HS / Opt 5 (INN Refo KS/LS, No Foam): clr / air / 70/36 (SS/SS) 3/4" IG											
	0.090	0.563	0.090					AIR	0.036(#3)	CL	P1-S	N,G,S
	U-Factor 0.31			SHGC (N / <1) 0.37 / 0.33				VT (N / <1) 0.54 / 0.48			CR 58	
378	141.094/142.094/148.094 HS / Opt 5 (INN Refo KS/LS, No Foam): 70/36 / arg / clr (SS/SS) 3/4" IG											
	0.090	0.563	0.090					ARG90	0.036(#2)	CL	P1-S	N,G,S
	U-Factor 0.28			SHGC (N / <1) 0.30 / 0.27				VT (N / <1) 0.54 / 0.48			CR 62	
	141.094/142.094/148.094 HS / Opt 5 (INN Refo KS/LS, No Foam): clr / arg / 70/36 (SS/SS) 3/4" IG											
	0.090	0.563	0.090					ARG90	0.036(#3)	CL	P1-S	N,G,S
	U-Factor 0.28			SHGC (N / <1) 0.38 / 0.34				VT (N / <1) 0.54 / 0.48			CR 62	

**NFRC 100/200/500 Summary Sheet
Windgate/Belmont/Hawthorne 2-Lite Slider**

ID	Pane Thickness 1	Gap Width 1	Pane Thickness 2	Gap Width 2	Pane Thickness 3	Gap Width 3	Pane Thickness 4	Gap Fill	Low-e (Surface#)	Tint	Spacer	Grid Type
	U-Factor			Solar Heat Gain Coefficient (SHGC) Grids (None / <1 / >=1)				Visible Transmittance (VT) Grids (None / <1 / >=1)			Condensation Resistance	
379	141.094/142.094/148.094 HS / Opt 5 (INN Refo KS/LS, No Foam): 70/36 / air / clr (DS/DS) 3/4" IG											
	0.117	0.500	0.117					AIR	0.036(#2)	CL	P1-S	N,G,S
	U-Factor 0.31			SHGC (N / <1) 0.30 / 0.27				VT (N / <1) 0.53 / 0.47			CR 58	
	141.094/142.094/148.094 HS / Opt 5 (INN Refo KS/LS, No Foam): clr / air / 70/36 (DS/DS) 3/4" IG											
	0.117	0.500	0.117					AIR	0.036(#3)	CL	P1-S	N,G,S
	U-Factor 0.31			SHGC (N / <1) 0.37 / 0.33				VT (N / <1) 0.53 / 0.47			CR 58	
380	141.094/142.094/148.094 HS / Opt 5 (INN Refo KS/LS, No Foam): 70/36 / arg / clr (DS/DS) 3/4" IG											
	0.117	0.500	0.117					ARG90	0.036(#2)	CL	P1-S	N,G,S
	U-Factor 0.28			SHGC (N / <1) 0.29 / 0.27				VT (N / <1) 0.53 / 0.47			CR 61	
	141.094/142.094/148.094 HS / Opt 5 (INN Refo KS/LS, No Foam): clr / arg / 70/36 (DS/DS) 3/4" IG											
	0.117	0.500	0.117					ARG90	0.036(#3)	CL	P1-S	N,G,S
	U-Factor 0.28			SHGC (N / <1) 0.37 / 0.33				VT (N / <1) 0.53 / 0.47			CR 61	
381	141.094/142.094/148.094 HS / Opt 5 (INN Refo KS/LS, No Foam): lami / arg / 70/36 (DS 090 DS/DS) 3/4" IG											
	0.264	0.345	0.117					ARG90	0.036(#3)	CL	P1-S	N,S
	U-Factor 0.30			SHGC (N / <1) 0.35 / 0.32				VT (N / <1) 0.52 / 0.47			CR 59	
	141.094/142.094/148.094 HS / Opt 5 (INN Refo KS/LS, No Foam): 70/36 / arg / lami (DS/DS 090 DS) 3/4" IG											
	0.117	0.345	0.264					ARG90	0.036(#2)	CL	P1-S	N,S
	U-Factor 0.30			SHGC (N / <1) 0.29 / 0.26				VT (N / <1) 0.52 / 0.47			CR 59	
382	141.094/142.094/148.094 HS / Opt 5 (INN Refo KS/LS, No Foam): lami / arg / 70/36 (DS 090 DS/DS) 3/4" IG											
	0.264	0.345	0.117					ARG90	0.036(#3)	CL	P1-S	G,S
	U-Factor 0.31			SHGC (<1) 0.32				VT (<1) 0.47			CR 59	
	141.094/142.094/148.094 HS / Opt 5 (INN Refo KS/LS, No Foam): 70/36 / arg / lami (DS/DS 090 DS) 3/4" IG											
	0.117	0.345	0.264					ARG90	0.036(#2)	CL	P1-S	G,S
	U-Factor 0.31			SHGC (<1) 0.26				VT (<1) 0.47			CR 59	
383	141.094/142.094/148.094 HS / Opt 5 (INN Refo KS/LS, No Foam): 70/36 / arg / clr / arg / 70/36 (SS/SS/SS) 3/4" IG											
	0.090	0.250	0.090	0.250	0.090			ARG90	0.036(#2) / 0.036(#5)	CL	P1-S	N,S
	U-Factor 0.24			SHGC (N / <1) 0.26 / 0.23				VT (N / <1) 0.42 / 0.37			CR 68	
384	141.094/142.094/148.094 HS / Opt 5 (INN Refo KS/LS, No Foam): 70/36 / arg / clr / arg / 70/36 (SS/SS/SS) 3/4" IG											
	0.090	0.250	0.090	0.250	0.090			ARG90	0.036(#2) / 0.036(#5)	CL	P1-S	G,S
	U-Factor 0.25			SHGC (<1) 0.23				VT (<1) 0.37			CR 67	

NFRC 100/200/500 Summary Sheet
Windgate/Belmont/Hawthorne 2-Lite Slider

ID	Pane Thickness 1	Gap Width 1	Pane Thickness 2	Gap Width 2	Pane Thickness 3	Gap Width 3	Pane Thickness 4	Gap Fill	Low-e (Surface#)	Tint	Spacer	Grid Type
	U-Factor			Solar Heat Gain Coefficient (SHGC) Grids (None / <1 / >=1)				Visible Transmittance (VT) Grids (None / <1 / >=1)			Condensation Resistance	
385	141.094/142.094/148.094 HS / Opt 5 (INN Refo KS/LS, No Foam): 80/70 / air / clr (SS/SS) 3/4" IG											
	0.090	0.563	0.090					AIR	0.095(#2)	CL	P1-S	N,G,S
	U-Factor 0.33			SHGC (N / <1) 0.51 / 0.46				VT (N / <1) 0.62 / 0.55			CR 57	
	141.094/142.094/148.094 HS / Opt 5 (INN Refo KS/LS, No Foam): clr / air / 80/70 (SS/SS) 3/4" IG											
	0.090	0.563	0.090					AIR	0.095(#3)	CL	P1-S	N,G,S
	U-Factor 0.33			SHGC (N / <1) 0.54 / 0.49				VT (N / <1) 0.62 / 0.55			CR 57	
386	141.094/142.094/148.094 HS / Opt 5 (INN Refo KS/LS, No Foam): 80/70 / arg / clr (SS/SS) 3/4" IG											
	0.090	0.563	0.090					ARG90	0.095(#2)	CL	P1-S	N,G,S
	U-Factor 0.30			SHGC (N / <1) 0.51 / 0.46				VT (N / <1) 0.62 / 0.55			CR 61	
	141.094/142.094/148.094 HS / Opt 5 (INN Refo KS/LS, No Foam): clr / arg / 80/70 (SS/SS) 3/4" IG											
	0.090	0.563	0.090					ARG90	0.095(#3)	CL	P1-S	N,G,S
	U-Factor 0.30			SHGC (N / <1) 0.54 / 0.49				VT (N / <1) 0.62 / 0.55			CR 61	
387	141.094/142.094/148.094 HS / Opt 5 (INN Refo KS/LS, No Foam): 80/70 / air / clr (DS/DS) 3/4" IG											
	0.117	0.500	0.117					AIR	0.095(#2)	CL	P1-S	N,G,S
	U-Factor 0.33			SHGC (N / <1) 0.51 / 0.45				VT (N / <1) 0.61 / 0.55			CR 56	
	141.094/142.094/148.094 HS / Opt 5 (INN Refo KS/LS, No Foam): clr / air / 80/70 (DS/DS) 3/4" IG											
	0.117	0.500	0.117					AIR	0.095(#3)	CL	P1-S	N,G,S
	U-Factor 0.33			SHGC (N / <1) 0.53 / 0.48				VT (N / <1) 0.61 / 0.55			CR 56	
388	141.094/142.094/148.094 HS / Opt 5 (INN Refo KS/LS, No Foam): 80/70 / arg / clr (DS/DS) 3/4" IG											
	0.117	0.500	0.117					ARG90	0.095(#2)	CL	P1-S	N,G,S
	U-Factor 0.29			SHGC (N / <1) 0.51 / 0.45				VT (N / <1) 0.61 / 0.55			CR 60	
	141.094/142.094/148.094 HS / Opt 5 (INN Refo KS/LS, No Foam): clr / arg / 80/70 (DS/DS) 3/4" IG											
	0.117	0.500	0.117					ARG90	0.095(#3)	CL	P1-S	N,G,S
	U-Factor 0.29			SHGC (N / <1) 0.54 / 0.48				VT (N / <1) 0.61 / 0.55			CR 60	
389	141.094/142.094/148.094 HS / Opt 5 (INN Refo KS/LS, No Foam): lami / arg / 80/70 (DS 090 DS/DS) 3/4" IG											
	0.264	0.345	0.117					ARG90	0.095(#3)	CL	P1-S	N,S
	U-Factor 0.31			SHGC (N / <1) 0.49 / 0.44				VT (N / <1) 0.60 / 0.54			CR 58	
	141.094/142.094/148.094 HS / Opt 5 (INN Refo KS/LS, No Foam): 80/70 / arg / lami (DS/DS 090 DS) 3/4" IG											
	0.117	0.345	0.264					ARG90	0.095(#2)	CL	P1-S	N,S
	U-Factor 0.31			SHGC (N / <1) 0.50 / 0.45				VT (N / <1) 0.60 / 0.54			CR 58	

NFRC 100/200/500 Summary Sheet
Windgate/Belmont/Hawthorne 2-Lite Slider

ID	Pane Thickness 1	Gap Width 1	Pane Thickness 2	Gap Width 2	Pane Thickness 3	Gap Width 3	Pane Thickness 4	Gap Fill	Low-e (Surface#)	Tint	Spacer	Grid Type
	U-Factor			Solar Heat Gain Coefficient (SHGC) Grids (None / <1 / >=1)				Visible Transmittance (VT) Grids (None / <1 / >=1)			Condensation Resistance	
390	141.094/142.094/148.094 HS / Opt 5 (INN Refo KS/LS, No Foam): lami / arg / 80/70 (DS 090 DS/DS) 3/4" IG											
	0.264	0.345	0.117					ARG90	0.095(#3)	CL	P1-S	G,S
	U-Factor 0.32			SHGC (<1) 0.44				VT (<1) 0.54			CR 58	
	141.094/142.094/148.094 HS / Opt 5 (INN Refo KS/LS, No Foam): 80/70 / arg / lami (DS/DS 090 DS) 3/4" IG											
	0.117	0.345	0.264					ARG90	0.095(#2)	CL	P1-S	G,S
	U-Factor 0.32			SHGC (<1) 0.45				VT (<1) 0.54			CR 58	
391	141.094/142.094/148.094 HS / Opt 5 (INN Refo KS/LS, No Foam): 80/70 / arg / clr / arg / 80/70 (SS/SS/SS) 3/4" IG											
	0.090	0.250	0.090	0.250	0.090			ARG90	0.095(#2) / 0.095(#5)	CL	P1-S	N,S
	U-Factor 0.25			SHGC (N / <1) 0.45 / 0.41				VT (N / <1) 0.56 / 0.50			CR 66	
392	141.094/142.094/148.094 HS / Opt 5 (INN Refo KS/LS, No Foam): 80/70 / arg / clr / arg / 80/70 (SS/SS/SS) 3/4" IG											
	0.090	0.250	0.090	0.250	0.090			ARG90	0.095(#2) / 0.095(#5)	CL	P1-S	G,S
	U-Factor 0.26			SHGC (<1) 0.41				VT (<1) 0.50			CR 66	
393	141.094/142.094/148.094 HS / Opt 5 (INN Refo KS/LS, No Foam): clr / air / clr (SS/SS) 3/4" IG											
	0.087	0.563	0.087					AIR		CL	SS-D	N,G,S
	U-Factor 0.46			SHGC (N / <1) 0.61 / 0.54				VT (N / <1) 0.63 / 0.56			CR 44	
394	141.094/142.094/148.094 HS / Opt 5 (INN Refo KS/LS, No Foam): clr / air / clr (DS/DS) 3/4" IG											
	0.118	0.500	0.118					AIR		CL	SS-D	N,G,S
	U-Factor 0.46			SHGC (N / <1) 0.59 / 0.53				VT (N / <1) 0.62 / 0.56			CR 44	
395	141.094/142.094/148.094 HS / Opt 5 (INN Refo KS/LS, No Foam): clr / air / clr (5mm/DS) 3/4" IG											
	0.185	0.438	0.118					AIR		CL	SS-D	N,G,S
	U-Factor 0.46			SHGC (N / <1) 0.57 / 0.51				VT (N / <1) 0.62 / 0.55			CR 43	
396	141.094/142.094/148.094 HS / Opt 5 (INN Refo KS/LS, No Foam): clr / air / clr (5mm/DS) 3/4" IG											
	0.185	0.438	0.118					AIR		CL	SS-D	G
	U-Factor 0.46			SHGC (<1) 0.51				VT (<1) 0.55			CR 43	
397	141.094/142.094/148.094 HS / Opt 5 (INN Refo KS/LS, No Foam): lami / air / clr (DS 090 DS/DS) 3/4" IG											
	0.264	0.345	0.118					AIR		CL	SS-D	N,S
	U-Factor 0.47			SHGC (N / <1) 0.55 / 0.49				VT (N / <1) 0.61 / 0.55			CR 42	
	141.094/142.094/148.094 HS / Opt 5 (INN Refo KS/LS, No Foam): clr / air / lami (DS/DS 090 DS) 3/4" IG											
	0.118	0.345	0.264					AIR		CL	SS-D	N,S
	U-Factor 0.47			SHGC (N / <1) 0.57 / 0.51				VT (N / <1) 0.61 / 0.55			CR 42	

NFRC 100/200/500 Summary Sheet
Windgate/Belmont/Hawthorne 2-Lite Slider

ID	Pane Thickness 1	Gap Width 1	Pane Thickness 2	Gap Width 2	Pane Thickness 3	Gap Width 3	Pane Thickness 4	Gap Fill	Low-e (Surface#)	Tint	Spacer	Grid Type
	U-Factor			Solar Heat Gain Coefficient (SHGC) Grids (None / <1 / >=1)				Visible Transmittance (VT) Grids (None / <1 / >=1)			Condensation Resistance	
398	141.094/142.094/148.094 HS / Opt 5 (INN Refo KS/LS, No Foam): lami / air / clr (DS 090 DS/DS) 3/4" IG											
	0.264	0.345	0.118					AIR		CL	SS-D	G,S
	U-Factor 0.48			SHGC (<1) 0.49				VT (<1) 0.55			CR 42	
	141.094/142.094/148.094 HS / Opt 5 (INN Refo KS/LS, No Foam): clr / air / lami (DS/DS 090 DS) 3/4" IG											
	0.118	0.345	0.264					AIR		CL	SS-D	G,S
	U-Factor 0.48			SHGC (<1) 0.51				VT (<1) 0.55			CR 42	
399	141.094/142.094/148.094 HS / Opt 5 (INN Refo KS/LS, No Foam): clr / air / clr / air / clr (SS/SS/SS) 3/4" IG (P1-S)											
	0.087	0.250	0.087	0.250	0.087			AIR		CL	SS-D	N,S
	U-Factor 0.38			SHGC (N / <1) 0.55 / 0.49				VT (N / <1) 0.58 / 0.52			CR 52	
400	141.094/142.094/148.094 HS / Opt 5 (INN Refo KS/LS, No Foam): clr / air / clr / air / clr (SS/SS/SS) 3/4" IG (P1-S)											
	0.087	0.250	0.087	0.250	0.087			AIR		CL	SS-D	G,S
	U-Factor 0.39			SHGC (<1) 0.49				VT (<1) 0.52			CR 52	
401	141.094/142.094/148.094 HS / Opt 5 (INN Refo KS/LS, No Foam): E270 / air / clr (SS/SS) 3/4" IG											
	0.087	0.563	0.087					AIR	0.037(#2)	CL	SS-D	N,G,S
	U-Factor 0.32			SHGC (N / <1) 0.29 / 0.26				VT (N / <1) 0.54 / 0.48			CR 56	
	141.094/142.094/148.094 HS / Opt 5 (INN Refo KS/LS, No Foam): clr / air / E270 (SS/SS) 3/4" IG											
	0.087	0.563	0.087					AIR	0.037(#3)	CL	SS-D	N,G,S
	U-Factor 0.32			SHGC (N / <1) 0.35 / 0.32				VT (N / <1) 0.54 / 0.48			CR 56	
402	141.094/142.094/148.094 HS / Opt 5 (INN Refo KS/LS, No Foam): E270 / arg / clr (SS/SS) 3/4" IG											
	0.087	0.563	0.087					ARG90	0.037(#2)	CL	SS-D	N,G,S
	U-Factor 0.29			SHGC (N / <1) 0.28 / 0.26				VT (N / <1) 0.54 / 0.48			CR 59	
	141.094/142.094/148.094 HS / Opt 5 (INN Refo KS/LS, No Foam): clr / arg / E270 (SS/SS) 3/4" IG											
	0.087	0.563	0.087					ARG90	0.037(#3)	CL	SS-D	N,G,S
	U-Factor 0.29			SHGC (N / <1) 0.36 / 0.32				VT (N / <1) 0.54 / 0.48			CR 59	
403	141.094/142.094/148.094 HS / Opt 5 (INN Refo KS/LS, No Foam): E270 / air / clr (DS/DS) 3/4" IG											
	0.118	0.500	0.118					AIR	0.037(#2)	CL	SS-D	N,G,S
	U-Factor 0.32			SHGC (N / <1) 0.29 / 0.26				VT (N / <1) 0.53 / 0.47			CR 55	
	141.094/142.094/148.094 HS / Opt 5 (INN Refo KS/LS, No Foam): clr / air / E270 (DS/DS) 3/4" IG											
	0.118	0.500	0.118					AIR	0.037(#3)	CL	SS-D	N,G,S
	U-Factor 0.32			SHGC (N / <1) 0.35 / 0.31				VT (N / <1) 0.53 / 0.47			CR 55	

**NFRC 100/200/500 Summary Sheet
Windgate/Belmont/Hawthorne 2-Lite Slider**

ID	Pane Thickness 1	Gap Width 1	Pane Thickness 2	Gap Width 2	Pane Thickness 3	Gap Width 3	Pane Thickness 4	Gap Fill	Low-e (Surface#)	Tint	Spacer	Grid Type
	U-Factor			Solar Heat Gain Coefficient (SHGC) Grids (None / <1 / >=1)				Visible Transmittance (VT) Grids (None / <1 / >=1)			Condensation Resistance	
404	141.094/142.094/148.094 HS / Opt 5 (INN Refo KS/LS, No Foam): E270 / arg / clr (DS/DS) 3/4" IG											
	0.118	0.500	0.118					ARG90	0.037(#2)	CL	SS-D	N,G,S
	U-Factor 0.29			SHGC (N / <1) 0.28 / 0.25				VT (N / <1) 0.53 / 0.47			CR 58	
	141.094/142.094/148.094 HS / Opt 5 (INN Refo KS/LS, No Foam): clr / arg / E270 (DS/DS) 3/4" IG											
	0.118	0.500	0.118					ARG90	0.037(#3)	CL	SS-D	N,G,S
	U-Factor 0.29			SHGC (N / <1) 0.35 / 0.32				VT (N / <1) 0.53 / 0.47			CR 58	
405	141.094/142.094/148.094 HS / Opt 5 (INN Refo KS/LS, No Foam): lami / arg / E270 (DS 090 DS/DS) 3/4" IG											
	0.264	0.345	0.118					ARG90	0.037(#3)	CL	SS-D	N,S
	U-Factor 0.30			SHGC (N / <1) 0.33 / 0.30				VT (N / <1) 0.52 / 0.47			CR 56	
	141.094/142.094/148.094 HS / Opt 5 (INN Refo KS/LS, No Foam): E270 / arg / lami (DS/DS 090 DS) 3/4" IG											
	0.118	0.345	0.264					ARG90	0.037(#2)	CL	SS-D	N,S
	U-Factor 0.30			SHGC (N / <1) 0.28 / 0.25				VT (N / <1) 0.52 / 0.47			CR 56	
406	141.094/142.094/148.094 HS / Opt 5 (INN Refo KS/LS, No Foam): lami / arg / E270 (DS 090 DS/DS) 3/4" IG											
	0.264	0.345	0.118					ARG90	0.037(#3)	CL	SS-D	G,S
	U-Factor 0.32			SHGC (<1) 0.30				VT (<1) 0.47			CR 56	
	141.094/142.094/148.094 HS / Opt 5 (INN Refo KS/LS, No Foam): E270 / arg / lami (DS/DS 090 DS) 3/4" IG											
	0.118	0.345	0.264					ARG90	0.037(#2)	CL	SS-D	G,S
	U-Factor 0.32			SHGC (<1) 0.25				VT (<1) 0.47			CR 56	
407	141.094/142.094/148.094 HS / Opt 5 (INN Refo KS/LS, No Foam): E270 / arg / clr / arg / E270 (SS/SS/SS) 3/4" IG (SS-D)											
	0.087	0.266	0.087	0.266	0.087			ARG90	0.037(#2) / 0.037(#5)	CL	SS-D	N,S
	U-Factor 0.24			SHGC (N / <1) 0.24 / 0.22				VT (N / <1) 0.42 / 0.37			CR 65	
408	141.094/142.094/148.094 HS / Opt 5 (INN Refo KS/LS, No Foam): E270 / arg / clr / arg / E270 (SS/SS/SS) 3/4" IG (SS-D)											
	0.087	0.266	0.087	0.266	0.087			ARG90	0.037(#2) / 0.037(#5)	CL	SS-D	G,S
	U-Factor 0.25			SHGC (<1) 0.22				VT (<1) 0.37			CR 65	
409	141.094/142.094/148.094 HS / Opt 5 (INN Refo KS/LS, No Foam): E366 / air / clr (SS/SS) 3/4" IG											
	0.087	0.563	0.087					AIR	0.022(#2)	CL	SS-D	N,G,S
	U-Factor 0.32			SHGC (N / <1) 0.21 / 0.19				VT (N / <1) 0.50 / 0.44			CR 56	
	141.094/142.094/148.094 HS / Opt 5 (INN Refo KS/LS, No Foam): clr / air / E366 (SS/SS) 3/4" IG											
	0.087	0.563	0.087					AIR	0.022(#3)	CL	SS-D	N,G,S
	U-Factor 0.32			SHGC (N / <1) 0.30 / 0.27				VT (N / <1) 0.50 / 0.44			CR 56	

NFRC 100/200/500 Summary Sheet
Windgate/Belmont/Hawthorne 2-Lite Slider

ID	Pane Thickness 1	Gap Width 1	Pane Thickness 2	Gap Width 2	Pane Thickness 3	Gap Width 3	Pane Thickness 4	Gap Fill	Low-e (Surface#)	Tint	Spacer	Grid Type
	U-Factor			Solar Heat Gain Coefficient (SHGC) Grids (None / <1 / >=1)				Visible Transmittance (VT) Grids (None / <1 / >=1)			Condensation Resistance	
410	141.094/142.094/148.094 HS / Opt 5 (INN Refo KS/LS, No Foam): E366 / arg / clr (SS/SS) 3/4" IG											
	0.087	0.563	0.087					ARG90	0.022(#2)	CL	SS-D	N,G,S
	U-Factor 0.28			SHGC (N / <1) 0.21 / 0.19				VT (N / <1) 0.50 / 0.44			CR 59	
	141.094/142.094/148.094 HS / Opt 5 (INN Refo KS/LS, No Foam): clr / arg / E366 (SS/SS) 3/4" IG											
	0.087	0.563	0.087					ARG90	0.022(#3)	CL	SS-D	N,G,S
	U-Factor 0.28			SHGC (N / <1) 0.30 / 0.27				VT (N / <1) 0.50 / 0.44			CR 59	
411	141.094/142.094/148.094 HS / Opt 5 (INN Refo KS/LS, No Foam): E366 / air / clr (DS/DS) 3/4" IG											
	0.117	0.500	0.118					AIR	0.022(#2)	CL	SS-D	N,G,S
	U-Factor 0.32			SHGC (N / <1) 0.21 / 0.19				VT (N / <1) 0.49 / 0.44			CR 55	
	141.094/142.094/148.094 HS / Opt 5 (INN Refo KS/LS, No Foam): clr / air / E366 (DS/DS) 3/4" IG											
	0.118	0.500	0.117					AIR	0.022(#3)	CL	SS-D	N,G,S
	U-Factor 0.32			SHGC (N / <1) 0.29 / 0.27				VT (N / <1) 0.49 / 0.44			CR 55	
412	141.094/142.094/148.094 HS / Opt 5 (INN Refo KS/LS, No Foam): E366 / arg / clr (DS/DS) 3/4" IG											
	0.117	0.500	0.118					ARG90	0.022(#2)	CL	SS-D	N,G,S
	U-Factor 0.28			SHGC (N / <1) 0.21 / 0.19				VT (N / <1) 0.49 / 0.44			CR 59	
	141.094/142.094/148.094 HS / Opt 5 (INN Refo KS/LS, No Foam): clr / arg / E366 (DS/DS) 3/4" IG											
	0.118	0.500	0.117					ARG90	0.022(#3)	CL	SS-D	N,G,S
	U-Factor 0.28			SHGC (N / <1) 0.30 / 0.27				VT (N / <1) 0.49 / 0.44			CR 59	
413	141.094/142.094/148.094 HS / Opt 5 (INN Refo KS/LS, No Foam): lami / arg / E366 (DS 090 DS/DS) 3/4" IG											
	0.264	0.345	0.117					ARG90	0.022(#3)	CL	SS-D	N,S
	U-Factor 0.30			SHGC (N / <1) 0.29 / 0.26				VT (N / <1) 0.48 / 0.43			CR 56	
	141.094/142.094/148.094 HS / Opt 5 (INN Refo KS/LS, No Foam): E366 / arg / lami (DS/DS 090 DS) 3/4" IG											
	0.117	0.345	0.264					ARG90	0.022(#2)	CL	SS-D	N,S
	U-Factor 0.30			SHGC (N / <1) 0.21 / 0.19				VT (N / <1) 0.48 / 0.43			CR 56	
414	141.094/142.094/148.094 HS / Opt 5 (INN Refo KS/LS, No Foam): lami / arg / E366 (DS 090 DS/DS) 3/4" IG											
	0.264	0.345	0.117					ARG90	0.022(#3)	CL	SS-D	G,S
	U-Factor 0.31			SHGC (<1) 0.26				VT (<1) 0.43			CR 56	
	141.094/142.094/148.094 HS / Opt 5 (INN Refo KS/LS, No Foam): E366 / arg / lami (DS/DS 090 DS) 3/4" IG											
	0.117	0.345	0.264					ARG90	0.022(#2)	CL	SS-D	G,S
	U-Factor 0.31			SHGC (<1) 0.19				VT (<1) 0.43			CR 56	

**NFRC 100/200/500 Summary Sheet
Windgate/Belmont/Hawthorne 2-Lite Slider**

ID	Pane Thickness 1	Gap Width 1	Pane Thickness 2	Gap Width 2	Pane Thickness 3	Gap Width 3	Pane Thickness 4	Gap Fill	Low-e (Surface#)	Tint	Spacer	Grid Type
	U-Factor			Solar Heat Gain Coefficient (SHGC) Grids (None / <1 / >=1)				Visible Transmittance (VT) Grids (None / <1 / >=1)			Condensation Resistance	
415	141.094/142.094/148.094 HS / Opt 5 (INN Refo KS/LS, No Foam): E366 / arg / clr / arg / E366 (SS/SS/SS) 3/4" IG (SS-D)											
	0.087	0.266	0.087	0.266	0.087			ARG90	0.022(#2) / 0.022(#5)	CL	SS-D	N,S
	U-Factor 0.24			SHGC (N / <1) 0.19 / 0.17				VT (N / <1) 0.36 / 0.32			CR 66	
416	141.094/142.094/148.094 HS / Opt 5 (INN Refo KS/LS, No Foam): E366 / arg / clr / arg / E366 (SS/SS/SS) 3/4" IG (SS-D)											
	0.087	0.266	0.087	0.266	0.087			ARG90	0.022(#2) / 0.022(#5)	CL	SS-D	G,S
	U-Factor 0.25			SHGC (<1) 0.17				VT (<1) 0.32			CR 66	
417	141.094/142.094/148.094 HS / Opt 5 (INN Refo KS/LS, No Foam): clr / air / clr (SS/SS) 3/4" IG											
	0.087	0.563	0.087					AIR		CL	TS-D	N,G,S
	U-Factor 0.46			SHGC (N / <1) 0.61 / 0.54				VT (N / <1) 0.63 / 0.56			CR 44	
418	141.094/142.094/148.094 HS / Opt 5 (INN Refo KS/LS, No Foam): clr / air / clr (DS/DS) 3/4" IG											
	0.118	0.500	0.118					AIR		CL	TS-D	N,G,S
	U-Factor 0.46			SHGC (N / <1) 0.59 / 0.53				VT (N / <1) 0.62 / 0.56			CR 43	
419	141.094/142.094/148.094 HS / Opt 5 (INN Refo KS/LS, No Foam): clr / air / clr (5mm/DS) 3/4" IG											
	0.185	0.438	0.118					AIR		CL	TS-D	N,G,S
	U-Factor 0.46			SHGC (N / <1) 0.57 / 0.51				VT (N / <1) 0.62 / 0.55			CR 42	
420	141.094/142.094/148.094 HS / Opt 5 (INN Refo KS/LS, No Foam): clr / air / clr (5mm/DS) 3/4" IG											
	0.185	0.438	0.118					AIR		CL	TS-D	G
	U-Factor 0.47			SHGC (<1) 0.51				VT (<1) 0.55			CR 42	
421	141.094/142.094/148.094 HS / Opt 5 (INN Refo KS/LS, No Foam): lami / air / clr (DS 090 DS/DS) 3/4" IG											
	0.264	0.345	0.118					AIR		CL	TS-D	N,S
	U-Factor 0.47			SHGC (N / <1) 0.55 / 0.49				VT (N / <1) 0.61 / 0.55			CR 42	
	141.094/142.094/148.094 HS / Opt 5 (INN Refo KS/LS, No Foam): clr / air / lami (DS/DS 090 DS) 3/4" IG											
	0.118	0.345	0.264					AIR		CL	TS-D	N,S
	U-Factor 0.47			SHGC (N / <1) 0.57 / 0.51				VT (N / <1) 0.61 / 0.55			CR 42	
422	141.094/142.094/148.094 HS / Opt 5 (INN Refo KS/LS, No Foam): lami / air / clr (DS 090 DS/DS) 3/4" IG											
	0.264	0.345	0.118					AIR		CL	TS-D	G,S
	U-Factor 0.48			SHGC (<1) 0.49				VT (<1) 0.55			CR 42	
	141.094/142.094/148.094 HS / Opt 5 (INN Refo KS/LS, No Foam): clr / air / lami (DS/DS 090 DS) 3/4" IG											
	0.118	0.345	0.264					AIR		CL	TS-D	G,S
	U-Factor 0.48			SHGC (<1) 0.51				VT (<1) 0.55			CR 42	

NFRC 100/200/500 Summary Sheet
Windgate/Belmont/Hawthorne 2-Lite Slider

ID	Pane Thickness 1	Gap Width 1	Pane Thickness 2	Gap Width 2	Pane Thickness 3	Gap Width 3	Pane Thickness 4	Gap Fill	Low-e (Surface#)	Tint	Spacer	Grid Type
	U-Factor			Solar Heat Gain Coefficient (SHGC) Grids (None / <1 / >=1)				Visible Transmittance (VT) Grids (None / <1 / >=1)			Condensation Resistance	
423	141.094/142.094/148.094 HS / Opt 5 (INN Refo KS/LS, No Foam): clr / air / clr / air / clr (SS/SS/SS) 3/4" IG (P1-S)											
	0.087	0.250	0.087	0.250	0.087			AIR		CL	TS-D	N,S
	U-Factor 0.38			SHGC (N / <1) 0.55 / 0.49				VT (N / <1) 0.58 / 0.52			CR 50	
424	141.094/142.094/148.094 HS / Opt 5 (INN Refo KS/LS, No Foam): clr / air / clr / air / clr (SS/SS/SS) 3/4" IG (P1-S)											
	0.087	0.250	0.087	0.250	0.087			AIR		CL	TS-D	G,S
	U-Factor 0.39			SHGC (<1) 0.49				VT (<1) 0.52			CR 50	
425	141.094/142.094/148.094 HS / Opt 5 (INN Refo KS/LS, No Foam): 70/36 / air / clr (SS/SS) 3/4" IG											
	0.090	0.563	0.090					AIR	0.036(#2)	CL	TS-D	N,G,S
	U-Factor 0.33			SHGC (N / <1) 0.30 / 0.27				VT (N / <1) 0.54 / 0.48			CR 54	
	141.094/142.094/148.094 HS / Opt 5 (INN Refo KS/LS, No Foam): clr / air / 70/36 (SS/SS) 3/4" IG											
	0.090	0.563	0.090					AIR	0.036(#3)	CL	TS-D	N,G,S
	U-Factor 0.33			SHGC (N / <1) 0.37 / 0.33				VT (N / <1) 0.54 / 0.48			CR 54	
426	141.094/142.094/148.094 HS / Opt 5 (INN Refo KS/LS, No Foam): 70/36 / arg / clr (SS/SS) 3/4" IG											
	0.090	0.563	0.090					ARG90	0.036(#2)	CL	TS-D	N,G,S
	U-Factor 0.29			SHGC (N / <1) 0.30 / 0.27				VT (N / <1) 0.54 / 0.48			CR 58	
	141.094/142.094/148.094 HS / Opt 5 (INN Refo KS/LS, No Foam): clr / arg / 70/36 (SS/SS) 3/4" IG											
	0.090	0.563	0.090					ARG90	0.036(#3)	CL	TS-D	N,G,S
	U-Factor 0.29			SHGC (N / <1) 0.38 / 0.34				VT (N / <1) 0.54 / 0.48			CR 58	
427	141.094/142.094/148.094 HS / Opt 5 (INN Refo KS/LS, No Foam): 70/36 / air / clr (DS/DS) 3/4" IG											
	0.117	0.500	0.117					AIR	0.036(#2)	CL	TS-D	N,G,S
	U-Factor 0.32			SHGC (N / <1) 0.30 / 0.27				VT (N / <1) 0.53 / 0.47			CR 53	
	141.094/142.094/148.094 HS / Opt 5 (INN Refo KS/LS, No Foam): clr / air / 70/36 (DS/DS) 3/4" IG											
	0.117	0.500	0.117					AIR	0.036(#3)	CL	TS-D	N,G,S
	U-Factor 0.32			SHGC (N / <1) 0.37 / 0.33				VT (N / <1) 0.53 / 0.47			CR 53	
428	141.094/142.094/148.094 HS / Opt 5 (INN Refo KS/LS, No Foam): 70/36 / arg / clr (DS/DS) 3/4" IG											
	0.117	0.500	0.117					ARG90	0.036(#2)	CL	TS-D	N,G,S
	U-Factor 0.29			SHGC (N / <1) 0.29 / 0.27				VT (N / <1) 0.53 / 0.47			CR 56	
	141.094/142.094/148.094 HS / Opt 5 (INN Refo KS/LS, No Foam): clr / arg / 70/36 (DS/DS) 3/4" IG											
	0.117	0.500	0.117					ARG90	0.036(#3)	CL	TS-D	N,G,S
	U-Factor 0.29			SHGC (N / <1) 0.37 / 0.33				VT (N / <1) 0.53 / 0.47			CR 56	

NFRC 100/200/500 Summary Sheet
Windgate/Belmont/Hawthorne 2-Lite Slider

ID	Pane Thickness 1	Gap Width 1	Pane Thickness 2	Gap Width 2	Pane Thickness 3	Gap Width 3	Pane Thickness 4	Gap Fill	Low-e (Surface#)	Tint	Spacer	Grid Type
	U-Factor			Solar Heat Gain Coefficient (SHGC) Grids (None / <1 / >=1)				Visible Transmittance (VT) Grids (None / <1 / >=1)			Condensation Resistance	
429	141.094/142.094/148.094 HS / Opt 5 (INN Refo KS/LS, No Foam): lami / arg / 70/36 (DS 090 DS/DS) 3/4" IG											
	0.264	0.345	0.117					ARG90	0.036(#3)	CL	TS-D	N,S
	U-Factor 0.31			SHGC (N / <1) 0.35 / 0.32				VT (N / <1) 0.52 / 0.47			CR 55	
	141.094/142.094/148.094 HS / Opt 5 (INN Refo KS/LS, No Foam): 70/36 / arg / lami (DS/DS 090 DS) 3/4" IG											
	0.117	0.345	0.264					ARG90	0.036(#2)	CL	TS-D	N,S
	U-Factor 0.31			SHGC (N / <1) 0.29 / 0.26				VT (N / <1) 0.52 / 0.47			CR 55	
430	141.094/142.094/148.094 HS / Opt 5 (INN Refo KS/LS, No Foam): lami / arg / 70/36 (DS 090 DS/DS) 3/4" IG											
	0.264	0.345	0.117					ARG90	0.036(#3)	CL	TS-D	G,S
	U-Factor 0.32			SHGC (<1) 0.32				VT (<1) 0.47			CR 55	
	141.094/142.094/148.094 HS / Opt 5 (INN Refo KS/LS, No Foam): 70/36 / arg / lami (DS/DS 090 DS) 3/4" IG											
	0.117	0.345	0.264					ARG90	0.036(#2)	CL	TS-D	G,S
	U-Factor 0.32			SHGC (<1) 0.26				VT (<1) 0.47			CR 55	
431	141.094/142.094/148.094 HS / Opt 5 (INN Refo KS/LS, No Foam): 70/36 / arg / clr / arg / 70/36 (SS/SS/SS) 3/4" IG											
	0.090	0.250	0.090	0.250	0.090			ARG90	0.036(#2) / 0.036(#5)	CL	TS-D	N,S
	U-Factor 0.25			SHGC (N / <1) 0.26 / 0.23				VT (N / <1) 0.42 / 0.37			CR 62	
432	141.094/142.094/148.094 HS / Opt 5 (INN Refo KS/LS, No Foam): 70/36 / arg / clr / arg / 70/36 (SS/SS/SS) 3/4" IG											
	0.090	0.250	0.090	0.250	0.090			ARG90	0.036(#2) / 0.036(#5)	CL	TS-D	G,S
	U-Factor 0.26			SHGC (<1) 0.23				VT (<1) 0.37			CR 62	
433	141.094/142.094/148.094 HS / Opt 5 (INN Refo KS/LS, No Foam): 80/70 / air / clr (SS/SS) 3/4" IG											
	0.090	0.563	0.090					AIR	0.095(#2)	CL	TS-D	N,G,S
	U-Factor 0.34			SHGC (N / <1) 0.51 / 0.46				VT (N / <1) 0.62 / 0.55			CR 53	
	141.094/142.094/148.094 HS / Opt 5 (INN Refo KS/LS, No Foam): clr / air / 80/70 (SS/SS) 3/4" IG											
	0.090	0.563	0.090					AIR	0.095(#3)	CL	TS-D	N,G,S
	U-Factor 0.34			SHGC (N / <1) 0.54 / 0.49				VT (N / <1) 0.62 / 0.55			CR 53	
434	141.094/142.094/148.094 HS / Opt 5 (INN Refo KS/LS, No Foam): 80/70 / arg / clr (SS/SS) 3/4" IG											
	0.090	0.563	0.090					ARG90	0.095(#2)	CL	TS-D	N,G,S
	U-Factor 0.31			SHGC (N / <1) 0.51 / 0.46				VT (N / <1) 0.62 / 0.55			CR 56	
	141.094/142.094/148.094 HS / Opt 5 (INN Refo KS/LS, No Foam): clr / arg / 80/70 (SS/SS) 3/4" IG											
	0.090	0.563	0.090					ARG90	0.095(#3)	CL	TS-D	N,G,S
	U-Factor 0.31			SHGC (N / <1) 0.54 / 0.49				VT (N / <1) 0.62 / 0.55			CR 56	

NFRC 100/200/500 Summary Sheet
Windgate/Belmont/Hawthorne 2-Lite Slider

ID	Pane Thickness 1	Gap Width 1	Pane Thickness 2	Gap Width 2	Pane Thickness 3	Gap Width 3	Pane Thickness 4	Gap Fill	Low-e (Surface#)	Tint	Spacer	Grid Type
	U-Factor			Solar Heat Gain Coefficient (SHGC) Grids (None / <1 / >=1)				Visible Transmittance (VT) Grids (None / <1 / >=1)			Condensation Resistance	
435	141.094/142.094/148.094 HS / Opt 5 (INN Refo KS/LS, No Foam): 80/70 / air / clr (DS/DS) 3/4" IG											
	0.117	0.500	0.117					AIR	0.095(#2)	CL	TS-D	N,G,S
	U-Factor 0.34			SHGC (N / <1) 0.51 / 0.45				VT (N / <1) 0.61 / 0.55			CR 52	
	141.094/142.094/148.094 HS / Opt 5 (INN Refo KS/LS, No Foam): clr / air / 80/70 (DS/DS) 3/4" IG											
	0.117	0.500	0.117					AIR	0.095(#3)	CL	TS-D	N,G,S
	U-Factor 0.34			SHGC (N / <1) 0.53 / 0.48				VT (N / <1) 0.61 / 0.55			CR 52	
436	141.094/142.094/148.094 HS / Opt 5 (INN Refo KS/LS, No Foam): 80/70 / arg / clr (DS/DS) 3/4" IG											
	0.117	0.500	0.117					ARG90	0.095(#2)	CL	TS-D	N,G,S
	U-Factor 0.31			SHGC (N / <1) 0.51 / 0.45				VT (N / <1) 0.61 / 0.55			CR 55	
	141.094/142.094/148.094 HS / Opt 5 (INN Refo KS/LS, No Foam): clr / arg / 80/70 (DS/DS) 3/4" IG											
	0.117	0.500	0.117					ARG90	0.095(#3)	CL	TS-D	N,G,S
	U-Factor 0.31			SHGC (N / <1) 0.54 / 0.48				VT (N / <1) 0.61 / 0.55			CR 55	
437	141.094/142.094/148.094 HS / Opt 5 (INN Refo KS/LS, No Foam): lami / arg / 80/70 (DS 090 DS/DS) 3/4" IG											
	0.264	0.345	0.117					ARG90	0.095(#3)	CL	TS-D	N,S
	U-Factor 0.32			SHGC (N / <1) 0.49 / 0.44				VT (N / <1) 0.60 / 0.54			CR 54	
	141.094/142.094/148.094 HS / Opt 5 (INN Refo KS/LS, No Foam): 80/70 / arg / lami (DS/DS 090 DS) 3/4" IG											
	0.117	0.345	0.264					ARG90	0.095(#2)	CL	TS-D	N,S
	U-Factor 0.32			SHGC (N / <1) 0.50 / 0.45				VT (N / <1) 0.60 / 0.54			CR 54	
438	141.094/142.094/148.094 HS / Opt 5 (INN Refo KS/LS, No Foam): lami / arg / 80/70 (DS 090 DS/DS) 3/4" IG											
	0.264	0.345	0.117					ARG90	0.095(#3)	CL	TS-D	G,S
	U-Factor 0.34			SHGC (<1) 0.44				VT (<1) 0.54			CR 54	
	141.094/142.094/148.094 HS / Opt 5 (INN Refo KS/LS, No Foam): 80/70 / arg / lami (DS/DS 090 DS) 3/4" IG											
	0.117	0.345	0.264					ARG90	0.095(#2)	CL	TS-D	G,S
	U-Factor 0.34			SHGC (<1) 0.45				VT (<1) 0.54			CR 54	
439	141.094/142.094/148.094 HS / Opt 5 (INN Refo KS/LS, No Foam): 80/70 / arg / clr / arg / 80/70 (SS/SS/SS) 3/4" IG											
	0.090	0.250	0.090	0.250	0.090			ARG90	0.095(#2) / 0.095(#5)	CL	TS-D	N,S
	U-Factor 0.26			SHGC (N / <1) 0.45 / 0.41				VT (N / <1) 0.56 / 0.50			CR 61	
440	141.094/142.094/148.094 HS / Opt 5 (INN Refo KS/LS, No Foam): 80/70 / arg / clr / arg / 80/70 (SS/SS/SS) 3/4" IG											
	0.090	0.250	0.090	0.250	0.090			ARG90	0.095(#2) / 0.095(#5)	CL	TS-D	G,S
	U-Factor 0.27			SHGC (<1) 0.41				VT (<1) 0.50			CR 61	

**NFRC 100/200/500 Summary Sheet
Windgate/Belmont/Hawthorne 2-Lite Slider**

ID	Pane Thickness 1	Gap Width 1	Pane Thickness 2	Gap Width 2	Pane Thickness 3	Gap Width 3	Pane Thickness 4	Gap Fill	Low-e (Surface#)	Tint	Spacer	Grid Type
	U-Factor			Solar Heat Gain Coefficient (SHGC) Grids (None / <1 / >=1)				Visible Transmittance (VT) Grids (None / <1 / >=1)			Condensation Resistance	
441	141.094/142.094/148.094 HS / Opt 6 (INN Refo KS/LS/S, No Foam): clr / air / clr (SS/SS) 3/4" IG											
	0.087	0.563	0.087					AIR		CL	P1-S	N,G,S
	U-Factor 0.45			SHGC (N / <1) 0.61 / 0.54				VT (N / <1) 0.63 / 0.56			CR 46	
442	141.094/142.094/148.094 HS / Opt 6 (INN Refo KS/LS/S, No Foam): clr / air / clr (DS/DS) 3/4" IG											
	0.118	0.500	0.118					AIR		CL	P1-S	N,G,S
	U-Factor 0.45			SHGC (N / <1) 0.59 / 0.53				VT (N / <1) 0.62 / 0.56			CR 45	
443	141.094/142.094/148.094 HS / Opt 6 (INN Refo KS/LS/S, No Foam): clr / air / clr (5mm/DS) 3/4" IG											
	0.185	0.438	0.118					AIR		CL	P1-S	N,G,S
	U-Factor 0.46			SHGC (N / <1) 0.57 / 0.51				VT (N / <1) 0.62 / 0.55			CR 45	
444	141.094/142.094/148.094 HS / Opt 6 (INN Refo KS/LS/S, No Foam): clr / air / clr (5mm/DS) 3/4" IG											
	0.185	0.438	0.118					AIR		CL	P1-S	G
	U-Factor 0.46			SHGC (<1) 0.51				VT (<1) 0.55			CR 45	
445	141.094/142.094/148.094 HS / Opt 6 (INN Refo KS/LS/S, No Foam): lami / air / clr (DS 090 DS/DS) 3/4" IG											
	0.264	0.345	0.118					AIR		CL	P1-S	N,S
	U-Factor 0.47			SHGC (N / <1) 0.55 / 0.49				VT (N / <1) 0.61 / 0.55			CR 44	
446	141.094/142.094/148.094 HS / Opt 6 (INN Refo KS/LS/S, No Foam): clr / air / lami (DS/DS 090 DS) 3/4" IG											
	0.118	0.345	0.264					AIR		CL	P1-S	N,S
	U-Factor 0.47			SHGC (N / <1) 0.57 / 0.51				VT (N / <1) 0.61 / 0.55			CR 44	
447	141.094/142.094/148.094 HS / Opt 6 (INN Refo KS/LS/S, No Foam): lami / air / clr (DS 090 DS/DS) 3/4" IG											
	0.118	0.345	0.264					AIR		CL	P1-S	G,S
	U-Factor 0.47			SHGC (<1) 0.51				VT (<1) 0.55			CR 44	
447	141.094/142.094/148.094 HS / Opt 6 (INN Refo KS/LS/S, No Foam): clr / air / clr / air / clr (SS/SS/SS) 3/4" IG (P1-S)											
	0.087	0.250	0.087	0.250	0.087			AIR		CL	P1-S	N,S
	U-Factor 0.37			SHGC (N / <1) 0.55 / 0.49				VT (N / <1) 0.58 / 0.52			CR 53	
448	141.094/142.094/148.094 HS / Opt 6 (INN Refo KS/LS/S, No Foam): clr / air / clr / air / clr (SS/SS/SS) 3/4" IG (P1-S)											
	0.087	0.250	0.087	0.250	0.087			AIR		CL	P1-S	G,S
	U-Factor 0.38			SHGC (<1) 0.49				VT (<1) 0.52			CR 53	

NFRC 100/200/500 Summary Sheet
Windgate/Belmont/Hawthorne 2-Lite Slider

ID	Pane Thickness 1	Gap Width 1	Pane Thickness 2	Gap Width 2	Pane Thickness 3	Gap Width 3	Pane Thickness 4	Gap Fill	Low-e (Surface#)	Tint	Spacer	Grid Type
	U-Factor			Solar Heat Gain Coefficient (SHGC) Grids (None / <1 / >=1)				Visible Transmittance (VT) Grids (None / <1 / >=1)			Condensation Resistance	
449	141.094/142.094/148.094 HS / Opt 6 (INN Refo KS/LS/S, No Foam): E270 / air / clr (SS/SS) 3/4" IG											
	0.087	0.563	0.087					AIR	0.037(#2)	CL	P1-S	N,G,S
	U-Factor 0.31			SHGC (N / <1) 0.29 / 0.26				VT (N / <1) 0.54 / 0.48			CR 58	
	141.094/142.094/148.094 HS / Opt 6 (INN Refo KS/LS/S, No Foam): clr / air / E270 (SS/SS) 3/4" IG											
	0.087	0.563	0.087					AIR	0.037(#3)	CL	P1-S	N,G,S
	U-Factor 0.31			SHGC (N / <1) 0.35 / 0.32				VT (N / <1) 0.54 / 0.48			CR 58	
450	141.094/142.094/148.094 HS / Opt 6 (INN Refo KS/LS/S, No Foam): E270 / arg / clr (SS/SS) 3/4" IG											
	0.087	0.563	0.087					ARG90	0.037(#2)	CL	P1-S	N,G,S
	U-Factor 0.28			SHGC (N / <1) 0.28 / 0.26				VT (N / <1) 0.54 / 0.48			CR 62	
	141.094/142.094/148.094 HS / Opt 6 (INN Refo KS/LS/S, No Foam): clr / arg / E270 (SS/SS) 3/4" IG											
	0.087	0.563	0.087					ARG90	0.037(#3)	CL	P1-S	N,G,S
	U-Factor 0.28			SHGC (N / <1) 0.36 / 0.32				VT (N / <1) 0.54 / 0.48			CR 62	
451	141.094/142.094/148.094 HS / Opt 6 (INN Refo KS/LS/S, No Foam): E270 / air / clr (DS/DS) 3/4" IG											
	0.118	0.500	0.118					AIR	0.037(#2)	CL	P1-S	N,G,S
	U-Factor 0.31			SHGC (N / <1) 0.29 / 0.26				VT (N / <1) 0.53 / 0.47			CR 58	
	141.094/142.094/148.094 HS / Opt 6 (INN Refo KS/LS/S, No Foam): clr / air / E270 (DS/DS) 3/4" IG											
	0.118	0.500	0.118					AIR	0.037(#3)	CL	P1-S	N,G,S
	U-Factor 0.31			SHGC (N / <1) 0.35 / 0.31				VT (N / <1) 0.53 / 0.47			CR 58	
452	141.094/142.094/148.094 HS / Opt 6 (INN Refo KS/LS/S, No Foam): E270 / arg / clr (DS/DS) 3/4" IG											
	0.118	0.500	0.118					ARG90	0.037(#2)	CL	P1-S	N,G,S
	U-Factor 0.28			SHGC (N / <1) 0.28 / 0.25				VT (N / <1) 0.53 / 0.47			CR 61	
	141.094/142.094/148.094 HS / Opt 6 (INN Refo KS/LS/S, No Foam): clr / arg / E270 (DS/DS) 3/4" IG											
	0.118	0.500	0.118					ARG90	0.037(#3)	CL	P1-S	N,G,S
	U-Factor 0.28			SHGC (N / <1) 0.35 / 0.32				VT (N / <1) 0.53 / 0.47			CR 61	
453	141.094/142.094/148.094 HS / Opt 6 (INN Refo KS/LS/S, No Foam): lami / arg / E270 (DS 090 DS/DS) 3/4" IG											
	0.264	0.345	0.118					ARG90	0.037(#3)	CL	P1-S	N,S
	U-Factor 0.30			SHGC (N / <1) 0.33 / 0.30				VT (N / <1) 0.52 / 0.47			CR 59	
	141.094/142.094/148.094 HS / Opt 6 (INN Refo KS/LS/S, No Foam): E270 / arg / lami (DS/DS 090 DS) 3/4" IG											
	0.118	0.345	0.264					ARG90	0.037(#2)	CL	P1-S	N,S
	U-Factor 0.30			SHGC (N / <1) 0.28 / 0.25				VT (N / <1) 0.52 / 0.47			CR 59	

NFRC 100/200/500 Summary Sheet
Windgate/Belmont/Hawthorne 2-Lite Slider

ID	Pane Thickness 1	Gap Width 1	Pane Thickness 2	Gap Width 2	Pane Thickness 3	Gap Width 3	Pane Thickness 4	Gap Fill	Low-e (Surface#)	Tint	Spacer	Grid Type
	U-Factor			Solar Heat Gain Coefficient (SHGC) Grids (None / <1 / >=1)				Visible Transmittance (VT) Grids (None / <1 / >=1)			Condensation Resistance	
454	141.094/142.094/148.094 HS / Opt 6 (INN Refo KS/LS/S, No Foam): lami / arg / E270 (DS 090 DS DS) 3/4" IG											
	0.264	0.345	0.118					ARG90	0.037(#3)	CL	P1-S	G,S
	U-Factor 0.31			SHGC (<1) 0.30				VT (<1) 0.47			CR 59	
	141.094/142.094/148.094 HS / Opt 6 (INN Refo KS/LS/S, No Foam): E270 / arg / lami (DS DS 090 DS) 3/4" IG											
	0.118	0.345	0.264					ARG90	0.037(#2)	CL	P1-S	G,S
	U-Factor 0.31			SHGC (<1) 0.25				VT (<1) 0.47			CR 59	
455	141.094/142.094/148.094 HS / Opt 6 (INN Refo KS/LS/S, No Foam): E270 / arg / clr / arg / E270 (SS/SS/SS) 3/4" IG (P1-S)											
	0.087	0.250	0.087	0.250	0.087			ARG90	0.037(#2) / 0.037(#5)	CL	P1-S	N,S
	U-Factor 0.24			SHGC (N / <1) 0.24 / 0.22				VT (N / <1) 0.42 / 0.37			CR 67	
456	141.094/142.094/148.094 HS / Opt 6 (INN Refo KS/LS/S, No Foam): E270 / arg / clr / arg / E270 (SS/SS/SS) 3/4" IG (P1-S)											
	0.087	0.250	0.087	0.250	0.087			ARG90	0.037(#2) / 0.037(#5)	CL	P1-S	G,S
	U-Factor 0.25			SHGC (<1) 0.22				VT (<1) 0.37			CR 67	
457	141.094/142.094/148.094 HS / Opt 6 (INN Refo KS/LS/S, No Foam): E366 / air / clr (SS/SS) 3/4" IG											
	0.087	0.563	0.087					AIR	0.022(#2)	CL	P1-S	N,G,S
	U-Factor 0.31			SHGC (N / <1) 0.21 / 0.19				VT (N / <1) 0.50 / 0.44			CR 59	
	141.094/142.094/148.094 HS / Opt 6 (INN Refo KS/LS/S, No Foam): clr / air / E366 (SS/SS) 3/4" IG											
	0.087	0.563	0.087					AIR	0.022(#3)	CL	P1-S	N,G,S
	U-Factor 0.31			SHGC (N / <1) 0.30 / 0.27				VT (N / <1) 0.50 / 0.44			CR 59	
458	141.094/142.094/148.094 HS / Opt 6 (INN Refo KS/LS/S, No Foam): E366 / arg / clr (SS/SS) 3/4" IG											
	0.087	0.563	0.087					ARG90	0.022(#2)	CL	P1-S	N,G,S
	U-Factor 0.27			SHGC (N / <1) 0.21 / 0.19				VT (N / <1) 0.50 / 0.44			CR 63	
	141.094/142.094/148.094 HS / Opt 6 (INN Refo KS/LS/S, No Foam): clr / arg / E366 (SS/SS) 3/4" IG											
	0.087	0.563	0.087					ARG90	0.022(#3)	CL	P1-S	N,G,S
	U-Factor 0.27			SHGC (N / <1) 0.30 / 0.27				VT (N / <1) 0.50 / 0.44			CR 63	
459	141.094/142.094/148.094 HS / Opt 6 (INN Refo KS/LS/S, No Foam): E366 / air / clr (DS/DS) 3/4" IG											
	0.117	0.500	0.118					AIR	0.022(#2)	CL	P1-S	N,G,S
	U-Factor 0.31			SHGC (N / <1) 0.21 / 0.19				VT (N / <1) 0.49 / 0.44			CR 58	
	141.094/142.094/148.094 HS / Opt 6 (INN Refo KS/LS/S, No Foam): clr / air / E366 (DS/DS) 3/4" IG											
	0.118	0.500	0.117					AIR	0.022(#3)	CL	P1-S	N,G,S
	U-Factor 0.31			SHGC (N / <1) 0.29 / 0.27				VT (N / <1) 0.49 / 0.44			CR 58	

**NFRC 100/200/500 Summary Sheet
Windgate/Belmont/Hawthorne 2-Lite Slider**

ID	Pane Thickness 1	Gap Width 1	Pane Thickness 2	Gap Width 2	Pane Thickness 3	Gap Width 3	Pane Thickness 4	Gap Fill	Low-e (Surface#)	Tint	Spacer	Grid Type
	U-Factor			Solar Heat Gain Coefficient (SHGC) Grids (None / <1 / >=1)				Visible Transmittance (VT) Grids (None / <1 / >=1)			Condensation Resistance	
460	141.094/142.094/148.094 HS / Opt 6 (INN Refo KS/LS/S, No Foam): E366 / arg / clr (DS/DS) 3/4" IG											
	0.117	0.500	0.118					ARG90	0.022(#2)	CL	P1-S	N,G,S
	U-Factor 0.27			SHGC (N / <1) 0.21 / 0.19				VT (N / <1) 0.49 / 0.44			CR 62	
	141.094/142.094/148.094 HS / Opt 6 (INN Refo KS/LS/S, No Foam): clr / arg / E366 (DS/DS) 3/4" IG											
	0.118	0.500	0.117					ARG90	0.022(#3)	CL	P1-S	N,G,S
	U-Factor 0.27			SHGC (N / <1) 0.30 / 0.27				VT (N / <1) 0.49 / 0.44			CR 62	
461	141.094/142.094/148.094 HS / Opt 6 (INN Refo KS/LS/S, No Foam): lami / arg / E366 (DS 090 DS/DS) 3/4" IG											
	0.264	0.345	0.117					ARG90	0.022(#3)	CL	P1-S	N,S
	U-Factor 0.29			SHGC (N / <1) 0.29 / 0.26				VT (N / <1) 0.48 / 0.43			CR 60	
	141.094/142.094/148.094 HS / Opt 6 (INN Refo KS/LS/S, No Foam): E366 / arg / lami (DS/DS 090 DS) 3/4" IG											
	0.117	0.345	0.264					ARG90	0.022(#2)	CL	P1-S	N,S
	U-Factor 0.29			SHGC (N / <1) 0.21 / 0.19				VT (N / <1) 0.48 / 0.43			CR 60	
462	141.094/142.094/148.094 HS / Opt 6 (INN Refo KS/LS/S, No Foam): lami / arg / E366 (DS 090 DS/DS) 3/4" IG											
	0.264	0.345	0.117					ARG90	0.022(#3)	CL	P1-S	G,S
	U-Factor 0.31			SHGC (<1) 0.26				VT (<1) 0.43			CR 60	
	141.094/142.094/148.094 HS / Opt 6 (INN Refo KS/LS/S, No Foam): E366 / arg / lami (DS/DS 090 DS) 3/4" IG											
	0.117	0.345	0.264					ARG90	0.022(#2)	CL	P1-S	G,S
	U-Factor 0.31			SHGC (<1) 0.19				VT (<1) 0.43			CR 60	
463	141.094/142.094/148.094 HS / Opt 6 (INN Refo KS/LS/S, No Foam): E366 / arg / clr / arg / E366 (SS/SS/SS) 3/4" IG (P1-S)											
	0.087	0.250	0.087	0.250	0.087			ARG90	0.022(#2) / 0.022(#5)	CL	P1-S	N,S
	U-Factor 0.24			SHGC (N / <1) 0.19 / 0.17				VT (N / <1) 0.36 / 0.32			CR 68	
464	141.094/142.094/148.094 HS / Opt 6 (INN Refo KS/LS/S, No Foam): E366 / arg / clr / arg / E366 (SS/SS/SS) 3/4" IG (P1-S)											
	0.087	0.250	0.087	0.250	0.087			ARG90	0.022(#2) / 0.022(#5)	CL	P1-S	G,S
	U-Factor 0.25			SHGC (<1) 0.17				VT (<1) 0.32			CR 68	
465	141.094/142.094/148.094 HS / Opt 6 (INN Refo KS/LS/S, No Foam): 70/36 / air / clr (SS/SS) 3/4" IG											
	0.090	0.563	0.090					AIR	0.036(#2)	CL	P1-S	N,G,S
	U-Factor 0.31			SHGC (N / <1) 0.30 / 0.27				VT (N / <1) 0.54 / 0.48			CR 58	
	141.094/142.094/148.094 HS / Opt 6 (INN Refo KS/LS/S, No Foam): clr / air / 70/36 (SS/SS) 3/4" IG											
	0.090	0.563	0.090					AIR	0.036(#3)	CL	P1-S	N,G,S
	U-Factor 0.31			SHGC (N / <1) 0.37 / 0.33				VT (N / <1) 0.54 / 0.48			CR 58	

NFRC 100/200/500 Summary Sheet
Windgate/Belmont/Hawthorne 2-Lite Slider

ID	Pane Thickness 1	Gap Width 1	Pane Thickness 2	Gap Width 2	Pane Thickness 3	Gap Width 3	Pane Thickness 4	Gap Fill	Low-e (Surface#)	Tint	Spacer	Grid Type
	U-Factor			Solar Heat Gain Coefficient (SHGC) Grids (None / <1 / >=1)				Visible Transmittance (VT) Grids (None / <1 / >=1)			Condensation Resistance	
466	141.094/142.094/148.094 HS / Opt 6 (INN Refo KS/LS/S, No Foam): 70/36 / arg / clr (SS/SS) 3/4" IG											
	0.090	0.563	0.090					ARG90	0.036(#2)	CL	P1-S	N,G,S
	U-Factor 0.28			SHGC (N / <1) 0.30 / 0.27				VT (N / <1) 0.54 / 0.48			CR 62	
	141.094/142.094/148.094 HS / Opt 6 (INN Refo KS/LS/S, No Foam): clr / arg / 70/36 (SS/SS) 3/4" IG											
	0.090	0.563	0.090					ARG90	0.036(#3)	CL	P1-S	N,G,S
	U-Factor 0.28			SHGC (N / <1) 0.38 / 0.34				VT (N / <1) 0.54 / 0.48			CR 62	
467	141.094/142.094/148.094 HS / Opt 6 (INN Refo KS/LS/S, No Foam): 70/36 / air / clr (DS/DS) 3/4" IG											
	0.117	0.500	0.117					AIR	0.036(#2)	CL	P1-S	N,G,S
	U-Factor 0.31			SHGC (N / <1) 0.30 / 0.27				VT (N / <1) 0.53 / 0.47			CR 58	
	141.094/142.094/148.094 HS / Opt 6 (INN Refo KS/LS/S, No Foam): clr / air / 70/36 (DS/DS) 3/4" IG											
	0.117	0.500	0.117					AIR	0.036(#3)	CL	P1-S	N,G,S
	U-Factor 0.31			SHGC (N / <1) 0.37 / 0.33				VT (N / <1) 0.53 / 0.47			CR 58	
468	141.094/142.094/148.094 HS / Opt 6 (INN Refo KS/LS/S, No Foam): 70/36 / arg / clr (DS/DS) 3/4" IG											
	0.117	0.500	0.117					ARG90	0.036(#2)	CL	P1-S	N,G,S
	U-Factor 0.28			SHGC (N / <1) 0.29 / 0.27				VT (N / <1) 0.53 / 0.47			CR 61	
	141.094/142.094/148.094 HS / Opt 6 (INN Refo KS/LS/S, No Foam): clr / arg / 70/36 (DS/DS) 3/4" IG											
	0.117	0.500	0.117					ARG90	0.036(#3)	CL	P1-S	N,G,S
	U-Factor 0.28			SHGC (N / <1) 0.37 / 0.33				VT (N / <1) 0.53 / 0.47			CR 61	
469	141.094/142.094/148.094 HS / Opt 6 (INN Refo KS/LS/S, No Foam): lami / arg / 70/36 (DS 090 DS/DS) 3/4" IG											
	0.264	0.345	0.117					ARG90	0.036(#3)	CL	P1-S	N,S
	U-Factor 0.30			SHGC (N / <1) 0.35 / 0.32				VT (N / <1) 0.52 / 0.47			CR 59	
	141.094/142.094/148.094 HS / Opt 6 (INN Refo KS/LS/S, No Foam): 70/36 / arg / lami (DS/DS 090 DS) 3/4" IG											
	0.117	0.345	0.264					ARG90	0.036(#2)	CL	P1-S	N,S
	U-Factor 0.30			SHGC (N / <1) 0.29 / 0.26				VT (N / <1) 0.52 / 0.47			CR 59	
470	141.094/142.094/148.094 HS / Opt 6 (INN Refo KS/LS/S, No Foam): lami / arg / 70/36 (DS 090 DS/DS) 3/4" IG											
	0.264	0.345	0.117					ARG90	0.036(#3)	CL	P1-S	G,S
	U-Factor 0.31			SHGC (<1) 0.32				VT (<1) 0.47			CR 59	
	141.094/142.094/148.094 HS / Opt 6 (INN Refo KS/LS/S, No Foam): 70/36 / arg / lami (DS/DS 090 DS) 3/4" IG											
	0.117	0.345	0.264					ARG90	0.036(#2)	CL	P1-S	G,S
	U-Factor 0.31			SHGC (<1) 0.26				VT (<1) 0.47			CR 59	

**NFRC 100/200/500 Summary Sheet
Windgate/Belmont/Hawthorne 2-Lite Slider**

ID	Pane Thickness 1	Gap Width 1	Pane Thickness 2	Gap Width 2	Pane Thickness 3	Gap Width 3	Pane Thickness 4	Gap Fill	Low-e (Surface#)	Tint	Spacer	Grid Type
	U-Factor			Solar Heat Gain Coefficient (SHGC) Grids (None / <1 / >=1)				Visible Transmittance (VT) Grids (None / <1 / >=1)			Condensation Resistance	
471	141.094/142.094/148.094 HS / Opt 6 (INN Refo KS/LS/S, No Foam): 70/36 / arg / clr / arg / 70/36 (SS/SS/SS) 3/4" IG											
	0.090	0.250	0.090	0.250	0.090			ARG90	0.036(#2) / 0.036(#5)	CL	P1-S	N,S
	U-Factor 0.24			SHGC (N / <1) 0.26 / 0.23				VT (N / <1) 0.42 / 0.37			CR 67	
472	141.094/142.094/148.094 HS / Opt 6 (INN Refo KS/LS/S, No Foam): 70/36 / arg / clr / arg / 70/36 (SS/SS/SS) 3/4" IG											
	0.090	0.250	0.090	0.250	0.090			ARG90	0.036(#2) / 0.036(#5)	CL	P1-S	G,S
	U-Factor 0.25			SHGC (<1) 0.23				VT (<1) 0.37			CR 67	
473	141.094/142.094/148.094 HS / Opt 6 (INN Refo KS/LS/S, No Foam): 80/70 / air / clr (SS/SS) 3/4" IG											
	0.090	0.563	0.090					AIR	0.095(#2)	CL	P1-S	N,G,S
	U-Factor 0.33			SHGC (N / <1) 0.51 / 0.46				VT (N / <1) 0.62 / 0.55			CR 57	
	141.094/142.094/148.094 HS / Opt 6 (INN Refo KS/LS/S, No Foam): clr / air / 80/70 (SS/SS) 3/4" IG											
	0.090	0.563	0.090					AIR	0.095(#3)	CL	P1-S	N,G,S
	U-Factor 0.33			SHGC (N / <1) 0.54 / 0.49				VT (N / <1) 0.62 / 0.55			CR 57	
474	141.094/142.094/148.094 HS / Opt 6 (INN Refo KS/LS/S, No Foam): 80/70 / arg / clr (SS/SS) 3/4" IG											
	0.090	0.563	0.090					ARG90	0.095(#2)	CL	P1-S	N,G,S
	U-Factor 0.30			SHGC (N / <1) 0.51 / 0.46				VT (N / <1) 0.62 / 0.55			CR 61	
	141.094/142.094/148.094 HS / Opt 6 (INN Refo KS/LS/S, No Foam): clr / arg / 80/70 (SS/SS) 3/4" IG											
	0.090	0.563	0.090					ARG90	0.095(#3)	CL	P1-S	N,G,S
	U-Factor 0.30			SHGC (N / <1) 0.54 / 0.49				VT (N / <1) 0.62 / 0.55			CR 61	
475	141.094/142.094/148.094 HS / Opt 6 (INN Refo KS/LS/S, No Foam): 80/70 / air / clr (DS/DS) 3/4" IG											
	0.117	0.500	0.117					AIR	0.095(#2)	CL	P1-S	N,G,S
	U-Factor 0.33			SHGC (N / <1) 0.51 / 0.45				VT (N / <1) 0.61 / 0.55			CR 56	
	141.094/142.094/148.094 HS / Opt 6 (INN Refo KS/LS/S, No Foam): clr / air / 80/70 (DS/DS) 3/4" IG											
	0.117	0.500	0.117					AIR	0.095(#3)	CL	P1-S	N,G,S
	U-Factor 0.33			SHGC (N / <1) 0.53 / 0.48				VT (N / <1) 0.61 / 0.55			CR 56	
476	141.094/142.094/148.094 HS / Opt 6 (INN Refo KS/LS/S, No Foam): 80/70 / arg / clr (DS/DS) 3/4" IG											
	0.117	0.500	0.117					ARG90	0.095(#2)	CL	P1-S	N,G,S
	U-Factor 0.29			SHGC (N / <1) 0.51 / 0.45				VT (N / <1) 0.61 / 0.55			CR 60	
	141.094/142.094/148.094 HS / Opt 6 (INN Refo KS/LS/S, No Foam): clr / arg / 80/70 (DS/DS) 3/4" IG											
	0.117	0.500	0.117					ARG90	0.095(#3)	CL	P1-S	N,G,S
	U-Factor 0.29			SHGC (N / <1) 0.54 / 0.48				VT (N / <1) 0.61 / 0.55			CR 60	

**NFRC 100/200/500 Summary Sheet
Windgate/Belmont/Hawthorne 2-Lite Slider**

ID	Pane Thickness 1	Gap Width 1	Pane Thickness 2	Gap Width 2	Pane Thickness 3	Gap Width 3	Pane Thickness 4	Gap Fill	Low-e (Surface#)	Tint	Spacer	Grid Type
	U-Factor			Solar Heat Gain Coefficient (SHGC) Grids (None / <1 / >=1)				Visible Transmittance (VT) Grids (None / <1 / >=1)			Condensation Resistance	
477	141.094/142.094/148.094 HS / Opt 6 (INN Refo KS/LS/S, No Foam): lami / arg / 80/70 (DS 090 DS/DS) 3/4" IG											
	0.264	0.345	0.117					ARG90	0.095(#3)	CL	P1-S	N,S
	U-Factor 0.31			SHGC (N / <1) 0.49 / 0.44				VT (N / <1) 0.60 / 0.54			CR	58
	141.094/142.094/148.094 HS / Opt 6 (INN Refo KS/LS/S, No Foam): 80/70 / arg / lami (DS/DS 090 DS) 3/4" IG											
	0.117	0.345	0.264					ARG90	0.095(#2)	CL	P1-S	N,S
	U-Factor 0.31			SHGC (N / <1) 0.50 / 0.45				VT (N / <1) 0.60 / 0.54			CR	58
478	141.094/142.094/148.094 HS / Opt 6 (INN Refo KS/LS/S, No Foam): lami / arg / 80/70 (DS 090 DS/DS) 3/4" IG											
	0.264	0.345	0.117					ARG90	0.095(#3)	CL	P1-S	G,S
	U-Factor 0.33			SHGC (<1) 0.44				VT (<1) 0.54			CR	58
	141.094/142.094/148.094 HS / Opt 6 (INN Refo KS/LS/S, No Foam): 80/70 / arg / lami (DS/DS 090 DS) 3/4" IG											
	0.117	0.345	0.264					ARG90	0.095(#2)	CL	P1-S	G,S
	U-Factor 0.33			SHGC (<1) 0.45				VT (<1) 0.54			CR	58
479	141.094/142.094/148.094 HS / Opt 6 (INN Refo KS/LS/S, No Foam): 80/70 / arg / clr / arg / 80/70 (SS/SS/SS) 3/4" IG											
	0.090	0.250	0.090	0.250	0.090			ARG90	0.095(#2) / 0.095(#5)	CL	P1-S	N,S
	U-Factor 0.25			SHGC (N / <1) 0.45 / 0.41				VT (N / <1) 0.56 / 0.50			CR	66
480	141.094/142.094/148.094 HS / Opt 6 (INN Refo KS/LS/S, No Foam): 80/70 / arg / clr / arg / 80/70 (SS/SS/SS) 3/4" IG											
	0.090	0.250	0.090	0.250	0.090			ARG90	0.095(#2) / 0.095(#5)	CL	P1-S	G,S
	U-Factor 0.26			SHGC (<1) 0.41				VT (<1) 0.50			CR	66
481	141.094/142.094/148.094 HS / Opt 6 (INN Refo KS/LS/S, No Foam): clr / air / clr (SS/SS) 3/4" IG											
	0.087	0.563	0.087					AIR		CL	SS-D	N,G,S
	U-Factor 0.46			SHGC (N / <1) 0.61 / 0.54				VT (N / <1) 0.63 / 0.56			CR	44
482	141.094/142.094/148.094 HS / Opt 6 (INN Refo KS/LS/S, No Foam): clr / air / clr (DS/DS) 3/4" IG											
	0.118	0.500	0.118					AIR		CL	SS-D	N,G,S
	U-Factor 0.46			SHGC (N / <1) 0.59 / 0.53				VT (N / <1) 0.62 / 0.56			CR	44
483	141.094/142.094/148.094 HS / Opt 6 (INN Refo KS/LS/S, No Foam): clr / air / clr (5mm/DS) 3/4" IG											
	0.185	0.438	0.118					AIR		CL	SS-D	N,G,S
	U-Factor 0.46			SHGC (N / <1) 0.57 / 0.51				VT (N / <1) 0.62 / 0.55			CR	43
484	141.094/142.094/148.094 HS / Opt 6 (INN Refo KS/LS/S, No Foam): clr / air / clr (5mm/DS) 3/4" IG											
	0.185	0.438	0.118					AIR		CL	SS-D	G
	U-Factor 0.46			SHGC (<1) 0.51				VT (<1) 0.55			CR	43

NFRC 100/200/500 Summary Sheet
Windgate/Belmont/Hawthorne 2-Lite Slider

ID	Pane Thickness 1	Gap Width 1	Pane Thickness 2	Gap Width 2	Pane Thickness 3	Gap Width 3	Pane Thickness 4	Gap Fill	Low-e (Surface#)	Tint	Spacer	Grid Type
	U-Factor			Solar Heat Gain Coefficient (SHGC) Grids (None / <1 / >=1)				Visible Transmittance (VT) Grids (None / <1 / >=1)			Condensation Resistance	
485	141.094/142.094/148.094 HS / Opt 6 (INN Refo KS/LS/S, No Foam): lami / air / clr (DS 090 DS/DS) 3/4" IG											
	0.264	0.345	0.118					AIR		CL	SS-D	N,S
	U-Factor 0.47			SHGC (N / <1) 0.55 / 0.49				VT (N / <1) 0.61 / 0.55			CR 42	
	141.094/142.094/148.094 HS / Opt 6 (INN Refo KS/LS/S, No Foam): clr / air / lami (DS/DS 090 DS) 3/4" IG											
	0.118	0.345	0.264					AIR		CL	SS-D	N,S
	U-Factor 0.47			SHGC (N / <1) 0.57 / 0.51				VT (N / <1) 0.61 / 0.55			CR 42	
486	141.094/142.094/148.094 HS / Opt 6 (INN Refo KS/LS/S, No Foam): lami / air / clr (DS 090 DS/DS) 3/4" IG											
	0.264	0.345	0.118					AIR		CL	SS-D	G,S
	U-Factor 0.48			SHGC (<1) 0.49				VT (<1) 0.55			CR 42	
	141.094/142.094/148.094 HS / Opt 6 (INN Refo KS/LS/S, No Foam): clr / air / lami (DS/DS 090 DS) 3/4" IG											
	0.118	0.345	0.264					AIR		CL	SS-D	G,S
	U-Factor 0.48			SHGC (<1) 0.51				VT (<1) 0.55			CR 42	
487	141.094/142.094/148.094 HS / Opt 6 (INN Refo KS/LS/S, No Foam): clr / air / clr / air / clr (SS/SS/SS) 3/4" IG (P1-S)											
	0.087	0.250	0.087	0.250	0.087			AIR		CL	SS-D	N,S
	U-Factor 0.38			SHGC (N / <1) 0.55 / 0.49				VT (N / <1) 0.58 / 0.52			CR 52	
488	141.094/142.094/148.094 HS / Opt 6 (INN Refo KS/LS/S, No Foam): clr / air / clr / air / clr (SS/SS/SS) 3/4" IG (P1-S)											
	0.087	0.250	0.087	0.250	0.087			AIR		CL	SS-D	G,S
	U-Factor 0.39			SHGC (<1) 0.49				VT (<1) 0.52			CR 52	
489	141.094/142.094/148.094 HS / Opt 6 (INN Refo KS/LS/S, No Foam): E270 / air / clr (SS/SS) 3/4" IG											
	0.087	0.563	0.087					AIR	0.037(#2)	CL	SS-D	N,G,S
	U-Factor 0.32			SHGC (N / <1) 0.29 / 0.26				VT (N / <1) 0.54 / 0.48			CR 56	
	141.094/142.094/148.094 HS / Opt 6 (INN Refo KS/LS/S, No Foam): clr / air / E270 (SS/SS) 3/4" IG											
	0.087	0.563	0.087					AIR	0.037(#3)	CL	SS-D	N,G,S
	U-Factor 0.32			SHGC (N / <1) 0.35 / 0.32				VT (N / <1) 0.54 / 0.48			CR 56	
490	141.094/142.094/148.094 HS / Opt 6 (INN Refo KS/LS/S, No Foam): E270 / arg / clr (SS/SS) 3/4" IG											
	0.087	0.563	0.087					ARG90	0.037(#2)	CL	SS-D	N,G,S
	U-Factor 0.29			SHGC (N / <1) 0.28 / 0.26				VT (N / <1) 0.54 / 0.48			CR 59	
	141.094/142.094/148.094 HS / Opt 6 (INN Refo KS/LS/S, No Foam): clr / arg / E270 (SS/SS) 3/4" IG											
	0.087	0.563	0.087					ARG90	0.037(#3)	CL	SS-D	N,G,S
	U-Factor 0.29			SHGC (N / <1) 0.36 / 0.32				VT (N / <1) 0.54 / 0.48			CR 59	

**NFRC 100/200/500 Summary Sheet
Windgate/Belmont/Hawthorne 2-Lite Slider**

ID	Pane Thickness 1	Gap Width 1	Pane Thickness 2	Gap Width 2	Pane Thickness 3	Gap Width 3	Pane Thickness 4	Gap Fill	Low-e (Surface#)	Tint	Spacer	Grid Type
	U-Factor			Solar Heat Gain Coefficient (SHGC) Grids (None / <1 / >=1)				Visible Transmittance (VT) Grids (None / <1 / >=1)			Condensation Resistance	
491	141.094/142.094/148.094 HS / Opt 6 (INN Refo KS/LS/S, No Foam): E270 / air / clr (DS/DS) 3/4" IG											
	0.118	0.500	0.118					AIR	0.037(#2)	CL	SS-D	N,G,S
	U-Factor 0.32			SHGC (N / <1) 0.29 / 0.26				VT (N / <1) 0.53 / 0.47			CR 55	
	141.094/142.094/148.094 HS / Opt 6 (INN Refo KS/LS/S, No Foam): clr / air / E270 (DS/DS) 3/4" IG											
	0.118	0.500	0.118					AIR	0.037(#3)	CL	SS-D	N,G,S
	U-Factor 0.32			SHGC (N / <1) 0.35 / 0.31				VT (N / <1) 0.53 / 0.47			CR 55	
492	141.094/142.094/148.094 HS / Opt 6 (INN Refo KS/LS/S, No Foam): E270 / arg / clr (DS/DS) 3/4" IG											
	0.118	0.500	0.118					ARG90	0.037(#2)	CL	SS-D	N,G,S
	U-Factor 0.29			SHGC (N / <1) 0.28 / 0.25				VT (N / <1) 0.53 / 0.47			CR 58	
	141.094/142.094/148.094 HS / Opt 6 (INN Refo KS/LS/S, No Foam): clr / arg / E270 (DS/DS) 3/4" IG											
	0.118	0.500	0.118					ARG90	0.037(#3)	CL	SS-D	N,G,S
	U-Factor 0.29			SHGC (N / <1) 0.35 / 0.32				VT (N / <1) 0.53 / 0.47			CR 58	
493	141.094/142.094/148.094 HS / Opt 6 (INN Refo KS/LS/S, No Foam): lami / arg / E270 (DS 090 DS/DS) 3/4" IG											
	0.264	0.345	0.118					ARG90	0.037(#3)	CL	SS-D	N,S
	U-Factor 0.31			SHGC (N / <1) 0.33 / 0.30				VT (N / <1) 0.52 / 0.47			CR 56	
	141.094/142.094/148.094 HS / Opt 6 (INN Refo KS/LS/S, No Foam): E270 / arg / lami (DS/DS 090 DS) 3/4" IG											
	0.118	0.345	0.264					ARG90	0.037(#2)	CL	SS-D	N,S
	U-Factor 0.31			SHGC (N / <1) 0.28 / 0.25				VT (N / <1) 0.52 / 0.47			CR 56	
494	141.094/142.094/148.094 HS / Opt 6 (INN Refo KS/LS/S, No Foam): lami / arg / E270 (DS 090 DS/DS) 3/4" IG											
	0.264	0.345	0.118					ARG90	0.037(#3)	CL	SS-D	G,S
	U-Factor 0.32			SHGC (<1) 0.30				VT (<1) 0.47			CR 56	
	141.094/142.094/148.094 HS / Opt 6 (INN Refo KS/LS/S, No Foam): E270 / arg / lami (DS/DS 090 DS) 3/4" IG											
	0.118	0.345	0.264					ARG90	0.037(#2)	CL	SS-D	G,S
	U-Factor 0.32			SHGC (<1) 0.25				VT (<1) 0.47			CR 56	
495	141.094/142.094/148.094 HS / Opt 6 (INN Refo KS/LS/S, No Foam): E270 / arg / clr / arg / E270 (SS/SS/SS) 3/4" IG (SS-D)											
	0.087	0.266	0.087	0.266	0.087			ARG90	0.037(#2) / 0.037(#5)	CL	SS-D	N,S
	U-Factor 0.24			SHGC (N / <1) 0.24 / 0.22				VT (N / <1) 0.42 / 0.37			CR 65	
496	141.094/142.094/148.094 HS / Opt 6 (INN Refo KS/LS/S, No Foam): E270 / arg / clr / arg / E270 (SS/SS/SS) 3/4" IG (SS-D)											
	0.087	0.266	0.087	0.266	0.087			ARG90	0.037(#2) / 0.037(#5)	CL	SS-D	G,S
	U-Factor 0.25			SHGC (<1) 0.22				VT (<1) 0.37			CR 65	

**NFRC 100/200/500 Summary Sheet
Windgate/Belmont/Hawthorne 2-Lite Slider**

ID	Pane Thickness 1	Gap Width 1	Pane Thickness 2	Gap Width 2	Pane Thickness 3	Gap Width 3	Pane Thickness 4	Gap Width 4	Gap Fill	Low-e (Surface#)	Tint	Spacer	Grid Type
	U-Factor			Solar Heat Gain Coefficient (SHGC) Grids (None / <1 / >=1)					Visible Transmittance (VT) Grids (None / <1 / >=1)			Condensation Resistance	
497	141.094/142.094/148.094 HS / Opt 6 (INN Refo KS/LS/S, No Foam): E366 / air / clr (SS/SS) 3/4" IG												
	0.087	0.563	0.087						AIR	0.022(#2)	CL	SS-D	N,G,S
	U-Factor 0.32			SHGC (N / <1) 0.21 / 0.19					VT (N / <1) 0.50 / 0.44			CR 56	
	141.094/142.094/148.094 HS / Opt 6 (INN Refo KS/LS/S, No Foam): clr / air / E366 (SS/SS) 3/4" IG												
	0.087	0.563	0.087						AIR	0.022(#3)	CL	SS-D	N,G,S
	U-Factor 0.32			SHGC (N / <1) 0.30 / 0.27					VT (N / <1) 0.50 / 0.44			CR 56	
498	141.094/142.094/148.094 HS / Opt 6 (INN Refo KS/LS/S, No Foam): E366 / arg / clr (SS/SS) 3/4" IG												
	0.087	0.563	0.087						ARG90	0.022(#2)	CL	SS-D	N,G,S
	U-Factor 0.29			SHGC (N / <1) 0.21 / 0.19					VT (N / <1) 0.50 / 0.44			CR 59	
	141.094/142.094/148.094 HS / Opt 6 (INN Refo KS/LS/S, No Foam): clr / arg / E366 (SS/SS) 3/4" IG												
	0.087	0.563	0.087						ARG90	0.022(#3)	CL	SS-D	N,G,S
	U-Factor 0.29			SHGC (N / <1) 0.30 / 0.27					VT (N / <1) 0.50 / 0.44			CR 59	
499	141.094/142.094/148.094 HS / Opt 6 (INN Refo KS/LS/S, No Foam): E366 / air / clr (DS/DS) 3/4" IG												
	0.117	0.500	0.118						AIR	0.022(#2)	CL	SS-D	N,G,S
	U-Factor 0.32			SHGC (N / <1) 0.21 / 0.19					VT (N / <1) 0.49 / 0.44			CR 55	
	141.094/142.094/148.094 HS / Opt 6 (INN Refo KS/LS/S, No Foam): clr / air / E366 (DS/DS) 3/4" IG												
	0.118	0.500	0.117						AIR	0.022(#3)	CL	SS-D	N,G,S
	U-Factor 0.32			SHGC (N / <1) 0.29 / 0.27					VT (N / <1) 0.49 / 0.44			CR 55	
500	141.094/142.094/148.094 HS / Opt 6 (INN Refo KS/LS/S, No Foam): E366 / arg / clr (DS/DS) 3/4" IG												
	0.117	0.500	0.118						ARG90	0.022(#2)	CL	SS-D	N,G,S
	U-Factor 0.28			SHGC (N / <1) 0.21 / 0.19					VT (N / <1) 0.49 / 0.44			CR 59	
	141.094/142.094/148.094 HS / Opt 6 (INN Refo KS/LS/S, No Foam): clr / arg / E366 (DS/DS) 3/4" IG												
	0.118	0.500	0.117						ARG90	0.022(#3)	CL	SS-D	N,G,S
	U-Factor 0.28			SHGC (N / <1) 0.30 / 0.27					VT (N / <1) 0.49 / 0.44			CR 59	
501	141.094/142.094/148.094 HS / Opt 6 (INN Refo KS/LS/S, No Foam): lami / arg / E366 (DS 090 DS/DS) 3/4" IG												
	0.264	0.345	0.117						ARG90	0.022(#3)	CL	SS-D	N,S
	U-Factor 0.30			SHGC (N / <1) 0.29 / 0.26					VT (N / <1) 0.48 / 0.43			CR 56	
	141.094/142.094/148.094 HS / Opt 6 (INN Refo KS/LS/S, No Foam): E366 / arg / lami (DS/DS 090 DS) 3/4" IG												
	0.117	0.345	0.264						ARG90	0.022(#2)	CL	SS-D	N,S
	U-Factor 0.30			SHGC (N / <1) 0.21 / 0.19					VT (N / <1) 0.48 / 0.43			CR 56	

NFRC 100/200/500 Summary Sheet
Windgate/Belmont/Hawthorne 2-Lite Slider

ID	Pane Thickness 1	Gap Width 1	Pane Thickness 2	Gap Width 2	Pane Thickness 3	Gap Width 3	Pane Thickness 4	Gap Fill	Low-e (Surface#)	Tint	Spacer	Grid Type
	U-Factor			Solar Heat Gain Coefficient (SHGC) Grids (None / <1 / >=1)				Visible Transmittance (VT) Grids (None / <1 / >=1)			Condensation Resistance	
502	141.094/142.094/148.094 HS / Opt 6 (INN Refo KS/LS/S, No Foam): lami / arg / E366 (DS 090 DS DS) 3/4" IG											
	0.264	0.345	0.117					ARG90	0.022(#3)	CL	SS-D	G,S
	U-Factor 0.32			SHGC (<1) 0.26				VT (<1) 0.43			CR 56	
	141.094/142.094/148.094 HS / Opt 6 (INN Refo KS/LS/S, No Foam): E366 / arg / lami (DS DS 090 DS) 3/4" IG											
	0.117	0.345	0.264					ARG90	0.022(#2)	CL	SS-D	G,S
	U-Factor 0.32			SHGC (<1) 0.19				VT (<1) 0.43			CR 56	
503	141.094/142.094/148.094 HS / Opt 6 (INN Refo KS/LS/S, No Foam): E366 / arg / clr / arg / E366 (SS/SS/SS) 3/4" IG (SS-D)											
	0.087	0.266	0.087	0.266	0.087			ARG90	0.022(#2) / 0.022(#5)	CL	SS-D	N,S
	U-Factor 0.24			SHGC (N / <1) 0.19 / 0.17				VT (N / <1) 0.36 / 0.32			CR 66	
504	141.094/142.094/148.094 HS / Opt 6 (INN Refo KS/LS/S, No Foam): E366 / arg / clr / arg / E366 (SS/SS/SS) 3/4" IG (SS-D)											
	0.087	0.266	0.087	0.266	0.087			ARG90	0.022(#2) / 0.022(#5)	CL	SS-D	G,S
	U-Factor 0.25			SHGC (<1) 0.17				VT (<1) 0.32			CR 66	
505	141.094/142.094/148.094 HS / Opt 6 (INN Refo KS/LS/S, No Foam): clr / air / clr (SS/SS) 3/4" IG											
	0.087	0.563	0.087					AIR		CL	TS-D	N,G,S
	U-Factor 0.46			SHGC (N / <1) 0.61 / 0.54				VT (N / <1) 0.63 / 0.56			CR 44	
506	141.094/142.094/148.094 HS / Opt 6 (INN Refo KS/LS/S, No Foam): clr / air / clr (DS/DS) 3/4" IG											
	0.118	0.500	0.118					AIR		CL	TS-D	N,G,S
	U-Factor 0.46			SHGC (N / <1) 0.59 / 0.53				VT (N / <1) 0.62 / 0.56			CR 43	
507	141.094/142.094/148.094 HS / Opt 6 (INN Refo KS/LS/S, No Foam): clr / air / clr (5mm/DS) 3/4" IG											
	0.185	0.438	0.118					AIR		CL	TS-D	N,G,S
	U-Factor 0.46			SHGC (N / <1) 0.57 / 0.51				VT (N / <1) 0.62 / 0.55			CR 42	
508	141.094/142.094/148.094 HS / Opt 6 (INN Refo KS/LS/S, No Foam): clr / air / clr (5mm/DS) 3/4" IG											
	0.185	0.438	0.118					AIR		CL	TS-D	G
	U-Factor 0.47			SHGC (<1) 0.51				VT (<1) 0.55			CR 42	
509	141.094/142.094/148.094 HS / Opt 6 (INN Refo KS/LS/S, No Foam): lami / air / clr (DS 090 DS DS) 3/4" IG											
	0.264	0.345	0.118					AIR		CL	TS-D	N,S
	U-Factor 0.48			SHGC (N / <1) 0.55 / 0.49				VT (N / <1) 0.61 / 0.55			CR 42	
	141.094/142.094/148.094 HS / Opt 6 (INN Refo KS/LS/S, No Foam): clr / air / lami (DS DS 090 DS) 3/4" IG											
	0.118	0.345	0.264					AIR		CL	TS-D	N,S
	U-Factor 0.48			SHGC (N / <1) 0.57 / 0.51				VT (N / <1) 0.61 / 0.55			CR 42	

NFRC 100/200/500 Summary Sheet
Windgate/Belmont/Hawthorne 2-Lite Slider

ID	Pane Thickness 1	Gap Width 1	Pane Thickness 2	Gap Width 2	Pane Thickness 3	Gap Width 3	Pane Thickness 4	Gap Fill	Low-e (Surface#)	Tint	Spacer	Grid Type
	U-Factor			Solar Heat Gain Coefficient (SHGC) Grids (None / <1 / >=1)				Visible Transmittance (VT) Grids (None / <1 / >=1)			Condensation Resistance	
510	141.094/142.094/148.094 HS / Opt 6 (INN Refo KS/LS/S, No Foam): lami / air / clr (DS 090 DS/DS) 3/4" IG											
	0.264	0.345	0.118					AIR		CL	TS-D	G,S
	U-Factor 0.48			SHGC (<1) 0.49				VT (<1) 0.55			CR 42	
	141.094/142.094/148.094 HS / Opt 6 (INN Refo KS/LS/S, No Foam): clr / air / lami (DS/DS 090 DS) 3/4" IG											
	0.118	0.345	0.264					AIR		CL	TS-D	G,S
	U-Factor 0.48			SHGC (<1) 0.51				VT (<1) 0.55			CR 42	
511	141.094/142.094/148.094 HS / Opt 6 (INN Refo KS/LS/S, No Foam): clr / air / clr / air / clr (SS/SS/SS) 3/4" IG (P1-S)											
	0.087	0.250	0.087	0.250	0.087			AIR		CL	TS-D	N,S
	U-Factor 0.38			SHGC (N / <1) 0.55 / 0.49				VT (N / <1) 0.58 / 0.52			CR 50	
512	141.094/142.094/148.094 HS / Opt 6 (INN Refo KS/LS/S, No Foam): clr / air / clr / air / clr (SS/SS/SS) 3/4" IG (P1-S)											
	0.087	0.250	0.087	0.250	0.087			AIR		CL	TS-D	G,S
	U-Factor 0.39			SHGC (<1) 0.49				VT (<1) 0.52			CR 50	
513	141.094/142.094/148.094 HS / Opt 6 (INN Refo KS/LS/S, No Foam): 70/36 / air / clr (SS/SS) 3/4" IG											
	0.090	0.563	0.090					AIR	0.036(#2)	CL	TS-D	N,G,S
	U-Factor 0.33			SHGC (N / <1) 0.30 / 0.27				VT (N / <1) 0.54 / 0.48			CR 54	
	141.094/142.094/148.094 HS / Opt 6 (INN Refo KS/LS/S, No Foam): clr / air / 70/36 (SS/SS) 3/4" IG											
	0.090	0.563	0.090					AIR	0.036(#3)	CL	TS-D	N,G,S
	U-Factor 0.33			SHGC (N / <1) 0.37 / 0.33				VT (N / <1) 0.54 / 0.48			CR 54	
514	141.094/142.094/148.094 HS / Opt 6 (INN Refo KS/LS/S, No Foam): 70/36 / arg / clr (SS/SS) 3/4" IG											
	0.090	0.563	0.090					ARG90	0.036(#2)	CL	TS-D	N,G,S
	U-Factor 0.29			SHGC (N / <1) 0.30 / 0.27				VT (N / <1) 0.54 / 0.48			CR 57	
	141.094/142.094/148.094 HS / Opt 6 (INN Refo KS/LS/S, No Foam): clr / arg / 70/36 (SS/SS) 3/4" IG											
	0.090	0.563	0.090					ARG90	0.036(#3)	CL	TS-D	N,G,S
	U-Factor 0.29			SHGC (N / <1) 0.38 / 0.34				VT (N / <1) 0.54 / 0.48			CR 57	
515	141.094/142.094/148.094 HS / Opt 6 (INN Refo KS/LS/S, No Foam): 70/36 / air / clr (DS/DS) 3/4" IG											
	0.117	0.500	0.117					AIR	0.036(#2)	CL	TS-D	N,G,S
	U-Factor 0.32			SHGC (N / <1) 0.30 / 0.27				VT (N / <1) 0.53 / 0.47			CR 53	
	141.094/142.094/148.094 HS / Opt 6 (INN Refo KS/LS/S, No Foam): clr / air / 70/36 (DS/DS) 3/4" IG											
	0.117	0.500	0.117					AIR	0.036(#3)	CL	TS-D	N,G,S
	U-Factor 0.32			SHGC (N / <1) 0.37 / 0.33				VT (N / <1) 0.53 / 0.47			CR 53	

**NFRC 100/200/500 Summary Sheet
Windgate/Belmont/Hawthorne 2-Lite Slider**

ID	Pane Thickness 1	Gap Width 1	Pane Thickness 2	Gap Width 2	Pane Thickness 3	Gap Width 3	Pane Thickness 4	Gap Fill	Low-e (Surface#)	Tint	Spacer	Grid Type
	U-Factor			Solar Heat Gain Coefficient (SHGC) Grids (None / <1 / >=1)				Visible Transmittance (VT) Grids (None / <1 / >=1)			Condensation Resistance	
516	141.094/142.094/148.094 HS / Opt 6 (INN Refo KS/LS/S, No Foam): 70/36 / arg / clr (DS/DS) 3/4" IG											
	0.117	0.500	0.117					ARG90	0.036(#2)	CL	TS-D	N,G,S
	U-Factor 0.29			SHGC (N / <1) 0.29 / 0.27				VT (N / <1) 0.53 / 0.47			CR 56	
	141.094/142.094/148.094 HS / Opt 6 (INN Refo KS/LS/S, No Foam): clr / arg / 70/36 (DS/DS) 3/4" IG											
	0.117	0.500	0.117					ARG90	0.036(#3)	CL	TS-D	N,G,S
	U-Factor 0.29			SHGC (N / <1) 0.37 / 0.33				VT (N / <1) 0.53 / 0.47			CR 56	
517	141.094/142.094/148.094 HS / Opt 6 (INN Refo KS/LS/S, No Foam): lami / arg / 70/36 (DS 090 DS/DS) 3/4" IG											
	0.264	0.345	0.117					ARG90	0.036(#3)	CL	TS-D	N,S
	U-Factor 0.31			SHGC (N / <1) 0.35 / 0.32				VT (N / <1) 0.52 / 0.47			CR 55	
	141.094/142.094/148.094 HS / Opt 6 (INN Refo KS/LS/S, No Foam): 70/36 / arg / lami (DS/DS 090 DS) 3/4" IG											
	0.117	0.345	0.264					ARG90	0.036(#2)	CL	TS-D	N,S
	U-Factor 0.31			SHGC (N / <1) 0.29 / 0.26				VT (N / <1) 0.52 / 0.47			CR 55	
518	141.094/142.094/148.094 HS / Opt 6 (INN Refo KS/LS/S, No Foam): lami / arg / 70/36 (DS 090 DS/DS) 3/4" IG											
	0.264	0.345	0.117					ARG90	0.036(#3)	CL	TS-D	G,S
	U-Factor 0.32			SHGC (<1) 0.32				VT (<1) 0.47			CR 55	
	141.094/142.094/148.094 HS / Opt 6 (INN Refo KS/LS/S, No Foam): 70/36 / arg / lami (DS/DS 090 DS) 3/4" IG											
	0.117	0.345	0.264					ARG90	0.036(#2)	CL	TS-D	G,S
	U-Factor 0.32			SHGC (<1) 0.26				VT (<1) 0.47			CR 55	
519	141.094/142.094/148.094 HS / Opt 6 (INN Refo KS/LS/S, No Foam): 70/36 / arg / clr / arg / 70/36 (SS/SS/SS) 3/4" IG											
	0.090	0.250	0.090	0.250	0.090			ARG90	0.036(#2) / 0.036(#5)	CL	TS-D	N,S
	U-Factor 0.25			SHGC (N / <1) 0.26 / 0.23				VT (N / <1) 0.42 / 0.37			CR 62	
520	141.094/142.094/148.094 HS / Opt 6 (INN Refo KS/LS/S, No Foam): 70/36 / arg / clr / arg / 70/36 (SS/SS/SS) 3/4" IG											
	0.090	0.250	0.090	0.250	0.090			ARG90	0.036(#2) / 0.036(#5)	CL	TS-D	G,S
	U-Factor 0.26			SHGC (<1) 0.23				VT (<1) 0.37			CR 62	
521	141.094/142.094/148.094 HS / Opt 6 (INN Refo KS/LS/S, No Foam): 80/70 / air / clr (SS/SS) 3/4" IG											
	0.090	0.563	0.090					AIR	0.095(#2)	CL	TS-D	N,G,S
	U-Factor 0.34			SHGC (N / <1) 0.51 / 0.46				VT (N / <1) 0.62 / 0.55			CR 53	
	141.094/142.094/148.094 HS / Opt 6 (INN Refo KS/LS/S, No Foam): clr / air / 80/70 (SS/SS) 3/4" IG											
	0.090	0.563	0.090					AIR	0.095(#3)	CL	TS-D	N,G,S
	U-Factor 0.34			SHGC (N / <1) 0.54 / 0.49				VT (N / <1) 0.62 / 0.55			CR 53	

NFRC 100/200/500 Summary Sheet
Windgate/Belmont/Hawthorne 2-Lite Slider

ID	Pane Thickness 1	Gap Width 1	Pane Thickness 2	Gap Width 2	Pane Thickness 3	Gap Width 3	Pane Thickness 4	Gap Fill	Low-e (Surface#)	Tint	Spacer	Grid Type
	U-Factor			Solar Heat Gain Coefficient (SHGC) Grids (None / <1 / >=1)				Visible Transmittance (VT) Grids (None / <1 / >=1)			Condensation Resistance	
522	141.094/142.094/148.094 HS / Opt 6 (INN Refo KS/LS/S, No Foam): 80/70 / arg / clr (SS/SS) 3/4" IG											
	0.090	0.563	0.090					ARG90	0.095(#2)	CL	TS-D	N,G,S
	U-Factor 0.31			SHGC (N / <1) 0.51 / 0.46				VT (N / <1) 0.62 / 0.55			CR 56	
	141.094/142.094/148.094 HS / Opt 6 (INN Refo KS/LS/S, No Foam): clr / arg / 80/70 (SS/SS) 3/4" IG											
	0.090	0.563	0.090					ARG90	0.095(#3)	CL	TS-D	N,G,S
	U-Factor 0.31			SHGC (N / <1) 0.54 / 0.49				VT (N / <1) 0.62 / 0.55			CR 56	
523	141.094/142.094/148.094 HS / Opt 6 (INN Refo KS/LS/S, No Foam): 80/70 / air / clr (DS/DS) 3/4" IG											
	0.117	0.500	0.117					AIR	0.095(#2)	CL	TS-D	N,G,S
	U-Factor 0.34			SHGC (N / <1) 0.51 / 0.45				VT (N / <1) 0.61 / 0.55			CR 52	
	141.094/142.094/148.094 HS / Opt 6 (INN Refo KS/LS/S, No Foam): clr / air / 80/70 (DS/DS) 3/4" IG											
	0.117	0.500	0.117					AIR	0.095(#3)	CL	TS-D	N,G,S
	U-Factor 0.34			SHGC (N / <1) 0.53 / 0.48				VT (N / <1) 0.61 / 0.55			CR 52	
524	141.094/142.094/148.094 HS / Opt 6 (INN Refo KS/LS/S, No Foam): 80/70 / arg / clr (DS/DS) 3/4" IG											
	0.117	0.500	0.117					ARG90	0.095(#2)	CL	TS-D	N,G,S
	U-Factor 0.31			SHGC (N / <1) 0.51 / 0.45				VT (N / <1) 0.61 / 0.55			CR 55	
	141.094/142.094/148.094 HS / Opt 6 (INN Refo KS/LS/S, No Foam): clr / arg / 80/70 (DS/DS) 3/4" IG											
	0.117	0.500	0.117					ARG90	0.095(#3)	CL	TS-D	N,G,S
	U-Factor 0.31			SHGC (N / <1) 0.54 / 0.48				VT (N / <1) 0.61 / 0.55			CR 55	
525	141.094/142.094/148.094 HS / Opt 6 (INN Refo KS/LS/S, No Foam): lami / arg / 80/70 (DS 090 DS/DS) 3/4" IG											
	0.264	0.345	0.117					ARG90	0.095(#3)	CL	TS-D	N,S
	U-Factor 0.32			SHGC (N / <1) 0.49 / 0.44				VT (N / <1) 0.60 / 0.54			CR 54	
	141.094/142.094/148.094 HS / Opt 6 (INN Refo KS/LS/S, No Foam): 80/70 / arg / lami (DS/DS 090 DS) 3/4" IG											
	0.117	0.345	0.264					ARG90	0.095(#2)	CL	TS-D	N,S
	U-Factor 0.32			SHGC (N / <1) 0.50 / 0.45				VT (N / <1) 0.60 / 0.54			CR 54	
526	141.094/142.094/148.094 HS / Opt 6 (INN Refo KS/LS/S, No Foam): lami / arg / 80/70 (DS 090 DS/DS) 3/4" IG											
	0.264	0.345	0.117					ARG90	0.095(#3)	CL	TS-D	G,S
	U-Factor 0.34			SHGC (<1) 0.44				VT (<1) 0.54			CR 54	
	141.094/142.094/148.094 HS / Opt 6 (INN Refo KS/LS/S, No Foam): 80/70 / arg / lami (DS/DS 090 DS) 3/4" IG											
	0.117	0.345	0.264					ARG90	0.095(#2)	CL	TS-D	G,S
	U-Factor 0.34			SHGC (<1) 0.45				VT (<1) 0.54			CR 54	

**NFRC 100/200/500 Summary Sheet
Windgate/Belmont/Hawthorne 2-Lite Slider**

ID	Pane Thickness 1	Gap Width 1	Pane Thickness 2	Gap Width 2	Pane Thickness 3	Gap Width 3	Pane Thickness 4	Gap Fill	Low-e (Surface#)	Tint	Spacer	Grid Type
	U-Factor			Solar Heat Gain Coefficient (SHGC) Grids (None / <1 / >=1)				Visible Transmittance (VT) Grids (None / <1 / >=1)			Condensation Resistance	
527	141.094/142.094/148.094 HS / Opt 6 (INN Refo KS/LS/S, No Foam): 80/70 / arg / clr / arg / 80/70 (SS/SS/SS) 3/4" IG											
	0.090	0.250	0.090	0.250	0.090			ARG90	0.095(#2) / 0.095(#5)	CL	TS-D	N,S
	U-Factor 0.26			SHGC (N / <1) 0.45 / 0.41				VT (N / <1) 0.56 / 0.50			CR 61	
528	141.094/142.094/148.094 HS / Opt 6 (INN Refo KS/LS/S, No Foam): 80/70 / arg / clr / arg / 80/70 (SS/SS/SS) 3/4" IG											
	0.090	0.250	0.090	0.250	0.090			ARG90	0.095(#2) / 0.095(#5)	CL	TS-D	G,S
	U-Factor 0.27			SHGC (<1) 0.41				VT (<1) 0.50			CR 61	
529	141.094/142.094/148.094 HS / Opt 7 (No Refo, Foam): clr / air / clr (SS/SS) 3/4" IG											
	0.087	0.563	0.087					AIR		CL	P1-S	N,G,S
	U-Factor 0.44			SHGC (N / <1) 0.61 / 0.54				VT (N / <1) 0.63 / 0.56			CR 46	
530	141.094/142.094/148.094 HS / Opt 7 (No Refo, Foam): clr / air / clr (DS/DS) 3/4" IG											
	0.118	0.500	0.118					AIR		CL	P1-S	N,G,S
	U-Factor 0.44			SHGC (N / <1) 0.59 / 0.53				VT (N / <1) 0.62 / 0.56			CR 45	
531	141.094/142.094/148.094 HS / Opt 7 (No Refo, Foam): clr / air / clr (5mm/DS) 3/4" IG											
	0.185	0.438	0.118					AIR		CL	P1-S	N,G,S
	U-Factor 0.44			SHGC (N / <1) 0.57 / 0.51				VT (N / <1) 0.62 / 0.55			CR 45	
532	141.094/142.094/148.094 HS / Opt 7 (No Refo, Foam): clr / air / clr (5mm/DS) 3/4" IG											
	0.185	0.438	0.118					AIR		CL	P1-S	G
	U-Factor 0.45			SHGC (<1) 0.51				VT (<1) 0.55			CR 45	
533	141.094/142.094/148.094 HS / Opt 7 (No Refo, Foam): lami / air / clr (DS 090 DS/DS) 3/4" IG											
	0.264	0.345	0.118					AIR		CL	P1-S	N,S
	U-Factor 0.46			SHGC (N / <1) 0.55 / 0.49				VT (N / <1) 0.61 / 0.55			CR 44	
	141.094/142.094/148.094 HS / Opt 7 (No Refo, Foam): clr / air / lami (DS/DS 090 DS) 3/4" IG											
	0.118	0.345	0.264					AIR		CL	P1-S	N,S
	U-Factor 0.46			SHGC (N / <1) 0.57 / 0.51				VT (N / <1) 0.61 / 0.55			CR 44	
534	141.094/142.094/148.094 HS / Opt 7 (No Refo, Foam): lami / air / clr (DS 090 DS/DS) 3/4" IG											
	0.264	0.345	0.118					AIR		CL	P1-S	G,S
	U-Factor 0.46			SHGC (<1) 0.49				VT (<1) 0.55			CR 44	
	141.094/142.094/148.094 HS / Opt 7 (No Refo, Foam): clr / air / lami (DS/DS 090 DS) 3/4" IG											
	0.118	0.345	0.264					AIR		CL	P1-S	G,S
	U-Factor 0.46			SHGC (<1) 0.51				VT (<1) 0.55			CR 44	

NFRC 100/200/500 Summary Sheet
Windgate/Belmont/Hawthorne 2-Lite Slider

ID	Pane Thickness 1	Gap Width 1	Pane Thickness 2	Gap Width 2	Pane Thickness 3	Gap Width 3	Pane Thickness 4	Gap Fill	Low-e (Surface#)	Tint	Spacer	Grid Type
	U-Factor			Solar Heat Gain Coefficient (SHGC) Grids (None / <1 / >=1)				Visible Transmittance (VT) Grids (None / <1 / >=1)			Condensation Resistance	
535	141.094/142.094/148.094 HS / Opt 7 (No Refo, Foam): clr / air / clr / air / clr (SS/SS/SS) 3/4" IG (P1-S)											
	0.087	0.250	0.087	0.250	0.087			AIR		CL	P1-S	N,S
	U-Factor 0.36			SHGC (N / <1) 0.55 / 0.49				VT (N / <1) 0.58 / 0.52			CR 53	
536	141.094/142.094/148.094 HS / Opt 7 (No Refo, Foam): clr / air / clr / air / clr (SS/SS/SS) 3/4" IG (P1-S)											
	0.087	0.250	0.087	0.250	0.087			AIR		CL	P1-S	G,S
	U-Factor 0.37			SHGC (<1) 0.49				VT (<1) 0.52			CR 53	
537	141.094/142.094/148.094 HS / Opt 7 (No Refo, Foam): E270 / air / clr (SS/SS) 3/4" IG											
	0.087	0.563	0.087					AIR	0.037(#2)	CL	P1-S	N,G,S
	U-Factor 0.30			SHGC (N / <1) 0.29 / 0.26				VT (N / <1) 0.54 / 0.48			CR 59	
	141.094/142.094/148.094 HS / Opt 7 (No Refo, Foam): clr / air / E270 (SS/SS) 3/4" IG											
	0.087	0.563	0.087					AIR	0.037(#3)	CL	P1-S	N,G,S
	U-Factor 0.30			SHGC (N / <1) 0.35 / 0.32				VT (N / <1) 0.54 / 0.48			CR 59	
538	141.094/142.094/148.094 HS / Opt 7 (No Refo, Foam): E270 / arg / clr (SS/SS) 3/4" IG											
	0.087	0.563	0.087					ARG90	0.037(#2)	CL	P1-S	N,G,S
	U-Factor 0.27			SHGC (N / <1) 0.28 / 0.26				VT (N / <1) 0.54 / 0.48			CR 62	
	141.094/142.094/148.094 HS / Opt 7 (No Refo, Foam): clr / arg / E270 (SS/SS) 3/4" IG											
	0.087	0.563	0.087					ARG90	0.037(#3)	CL	P1-S	N,G,S
	U-Factor 0.27			SHGC (N / <1) 0.36 / 0.32				VT (N / <1) 0.54 / 0.48			CR 62	
539	141.094/142.094/148.094 HS / Opt 7 (No Refo, Foam): E270 / air / clr (DS/DS) 3/4" IG											
	0.118	0.500	0.118					AIR	0.037(#2)	CL	P1-S	N,G,S
	U-Factor 0.30			SHGC (N / <1) 0.29 / 0.26				VT (N / <1) 0.53 / 0.47			CR 58	
	141.094/142.094/148.094 HS / Opt 7 (No Refo, Foam): clr / air / E270 (DS/DS) 3/4" IG											
	0.118	0.500	0.118					AIR	0.037(#3)	CL	P1-S	N,G,S
	U-Factor 0.30			SHGC (N / <1) 0.35 / 0.31				VT (N / <1) 0.53 / 0.47			CR 58	
540	141.094/142.094/148.094 HS / Opt 7 (No Refo, Foam): E270 / arg / clr (DS/DS) 3/4" IG											
	0.118	0.500	0.118					ARG90	0.037(#2)	CL	P1-S	N,G,S
	U-Factor 0.26			SHGC (N / <1) 0.28 / 0.25				VT (N / <1) 0.53 / 0.47			CR 61	
	141.094/142.094/148.094 HS / Opt 7 (No Refo, Foam): clr / arg / E270 (DS/DS) 3/4" IG											
	0.118	0.500	0.118					ARG90	0.037(#3)	CL	P1-S	N,G,S
	U-Factor 0.26			SHGC (N / <1) 0.35 / 0.32				VT (N / <1) 0.53 / 0.47			CR 61	

**NFRC 100/200/500 Summary Sheet
Windgate/Belmont/Hawthorne 2-Lite Slider**

ID	Pane Thickness 1	Gap Width 1	Pane Thickness 2	Gap Width 2	Pane Thickness 3	Gap Width 3	Pane Thickness 4	Gap Fill	Low-e (Surface#)	Tint	Spacer	Grid Type
	U-Factor			Solar Heat Gain Coefficient (SHGC) Grids (None / <1 / >=1)				Visible Transmittance (VT) Grids (None / <1 / >=1)			Condensation Resistance	
541	141.094/142.094/148.094 HS / Opt 7 (No Refo, Foam): lami / arg / E270 (DS 090 DS/DS) 3/4" IG											
	0.264	0.345	0.118					ARG90	0.037(#3)	CL	P1-S	N,S
	U-Factor 0.28			SHGC (N / <1) 0.33 / 0.30				VT (N / <1) 0.52 / 0.47			CR 59	
	141.094/142.094/148.094 HS / Opt 7 (No Refo, Foam): E270 / arg / lami (DS/DS 090 DS) 3/4" IG											
	0.118	0.345	0.264					ARG90	0.037(#2)	CL	P1-S	N,S
	U-Factor 0.28			SHGC (N / <1) 0.28 / 0.25				VT (N / <1) 0.52 / 0.47			CR 59	
542	141.094/142.094/148.094 HS / Opt 7 (No Refo, Foam): lami / arg / E270 (DS 090 DS/DS) 3/4" IG											
	0.264	0.345	0.118					ARG90	0.037(#3)	CL	P1-S	G,S
	U-Factor 0.30			SHGC (<1) 0.30				VT (<1) 0.47			CR 59	
	141.094/142.094/148.094 HS / Opt 7 (No Refo, Foam): E270 / arg / lami (DS/DS 090 DS) 3/4" IG											
	0.118	0.345	0.264					ARG90	0.037(#2)	CL	P1-S	G,S
	U-Factor 0.30			SHGC (<1) 0.25				VT (<1) 0.47			CR 59	
543	141.094/142.094/148.094 HS / Opt 7 (No Refo, Foam): E270 / arg / clr / arg / E270 (SS/SS/SS) 3/4" IG (P1-S)											
	0.087	0.250	0.087	0.250	0.087			ARG90	0.037(#2) / 0.037(#5)	CL	P1-S	N,S
	U-Factor 0.23			SHGC (N / <1) 0.24 / 0.22				VT (N / <1) 0.42 / 0.37			CR 68	
544	141.094/142.094/148.094 HS / Opt 7 (No Refo, Foam): E270 / arg / clr / arg / E270 (SS/SS/SS) 3/4" IG (P1-S)											
	0.087	0.250	0.087	0.250	0.087			ARG90	0.037(#2) / 0.037(#5)	CL	P1-S	G,S
	U-Factor 0.24			SHGC (<1) 0.22				VT (<1) 0.37			CR 68	
545	141.094/142.094/148.094 HS / Opt 7 (No Refo, Foam): E366 / air / clr (SS/SS) 3/4" IG											
	0.087	0.563	0.087					AIR	0.022(#2)	CL	P1-S	N,G,S
	U-Factor 0.30			SHGC (N / <1) 0.21 / 0.19				VT (N / <1) 0.50 / 0.44			CR 59	
	141.094/142.094/148.094 HS / Opt 7 (No Refo, Foam): clr / air / E366 (SS/SS) 3/4" IG											
	0.087	0.563	0.087					AIR	0.022(#3)	CL	P1-S	N,G,S
	U-Factor 0.30			SHGC (N / <1) 0.30 / 0.27				VT (N / <1) 0.50 / 0.44			CR 59	
546	141.094/142.094/148.094 HS / Opt 7 (No Refo, Foam): E366 / arg / clr (SS/SS) 3/4" IG											
	0.087	0.563	0.087					ARG90	0.022(#2)	CL	P1-S	N,G,S
	U-Factor 0.26			SHGC (N / <1) 0.21 / 0.19				VT (N / <1) 0.50 / 0.44			CR 63	
	141.094/142.094/148.094 HS / Opt 7 (No Refo, Foam): clr / arg / E366 (SS/SS) 3/4" IG											
	0.087	0.563	0.087					ARG90	0.022(#3)	CL	P1-S	N,G,S
	U-Factor 0.26			SHGC (N / <1) 0.30 / 0.27				VT (N / <1) 0.50 / 0.44			CR 63	

NFRC 100/200/500 Summary Sheet
Windgate/Belmont/Hawthorne 2-Lite Slider

ID	Pane Thickness 1	Gap Width 1	Pane Thickness 2	Gap Width 2	Pane Thickness 3	Gap Width 3	Pane Thickness 4	Gap Fill	Low-e (Surface#)	Tint	Spacer	Grid Type
	U-Factor			Solar Heat Gain Coefficient (SHGC) Grids (None / <1 / >=1)				Visible Transmittance (VT) Grids (None / <1 / >=1)			Condensation Resistance	
547	141.094/142.094/148.094 HS / Opt 7 (No Refo, Foam): E366 / air / clr (DS/DS) 3/4" IG											
	0.117	0.500	0.118					AIR	0.022(#2)	CL	P1-S	N,G,S
	U-Factor 0.30			SHGC (N / <1) 0.21 / 0.19				VT (N / <1) 0.49 / 0.44			CR	58
	141.094/142.094/148.094 HS / Opt 7 (No Refo, Foam): clr / air / E366 (DS/DS) 3/4" IG											
	0.118	0.500	0.117					AIR	0.022(#3)	CL	P1-S	N,G,S
	U-Factor 0.30			SHGC (N / <1) 0.29 / 0.27				VT (N / <1) 0.49 / 0.44			CR	58
548	141.094/142.094/148.094 HS / Opt 7 (No Refo, Foam): E366 / arg / clr (DS/DS) 3/4" IG											
	0.117	0.500	0.118					ARG90	0.022(#2)	CL	P1-S	N,G,S
	U-Factor 0.26			SHGC (N / <1) 0.21 / 0.19				VT (N / <1) 0.49 / 0.44			CR	62
	141.094/142.094/148.094 HS / Opt 7 (No Refo, Foam): clr / arg / E366 (DS/DS) 3/4" IG											
	0.118	0.500	0.117					ARG90	0.022(#3)	CL	P1-S	N,G,S
	U-Factor 0.26			SHGC (N / <1) 0.30 / 0.27				VT (N / <1) 0.49 / 0.44			CR	62
549	141.094/142.094/148.094 HS / Opt 7 (No Refo, Foam): lami / arg / E366 (DS 090 DS/DS) 3/4" IG											
	0.264	0.345	0.117					ARG90	0.022(#3)	CL	P1-S	N,S
	U-Factor 0.28			SHGC (N / <1) 0.29 / 0.26				VT (N / <1) 0.48 / 0.43			CR	60
	141.094/142.094/148.094 HS / Opt 7 (No Refo, Foam): E366 / arg / lami (DS/DS 090 DS) 3/4" IG											
	0.117	0.345	0.264					ARG90	0.022(#2)	CL	P1-S	N,S
	U-Factor 0.28			SHGC (N / <1) 0.21 / 0.19				VT (N / <1) 0.48 / 0.43			CR	60
550	141.094/142.094/148.094 HS / Opt 7 (No Refo, Foam): lami / arg / E366 (DS 090 DS/DS) 3/4" IG											
	0.264	0.345	0.117					ARG90	0.022(#3)	CL	P1-S	G,S
	U-Factor 0.29			SHGC (<1) 0.26				VT (<1) 0.43			CR	60
	141.094/142.094/148.094 HS / Opt 7 (No Refo, Foam): E366 / arg / lami (DS/DS 090 DS) 3/4" IG											
	0.117	0.345	0.264					ARG90	0.022(#2)	CL	P1-S	G,S
	U-Factor 0.29			SHGC (<1) 0.19				VT (<1) 0.43			CR	60
551	141.094/142.094/148.094 HS / Opt 7 (No Refo, Foam): E366 / arg / clr / arg / E366 (SS/SS/SS) 3/4" IG (P1-S)											
	0.087	0.250	0.087	0.250	0.087			ARG90	0.022(#2) / 0.022(#5)	CL	P1-S	N,S
	U-Factor 0.22			SHGC (N / <1) 0.19 / 0.17				VT (N / <1) 0.36 / 0.32			CR	68
552	141.094/142.094/148.094 HS / Opt 7 (No Refo, Foam): E366 / arg / clr / arg / E366 (SS/SS/SS) 3/4" IG (P1-S)											
	0.087	0.250	0.087	0.250	0.087			ARG90	0.022(#2) / 0.022(#5)	CL	P1-S	G,S
	U-Factor 0.23			SHGC (<1) 0.17				VT (<1) 0.32			CR	68

NFRC 100/200/500 Summary Sheet
Windgate/Belmont/Hawthorne 2-Lite Slider

ID	Pane Thickness 1	Gap Width 1	Pane Thickness 2	Gap Width 2	Pane Thickness 3	Gap Width 3	Pane Thickness 4	Gap Fill	Low-e (Surface#)	Tint	Spacer	Grid Type
	U-Factor			Solar Heat Gain Coefficient (SHGC) Grids (None / <1 / >=1)				Visible Transmittance (VT) Grids (None / <1 / >=1)			Condensation Resistance	
553	141.094/142.094/148.094 HS / Opt 7 (No Refo, Foam): 70/36 / air / clr (SS/SS) 3/4" IG											
	0.090	0.563	0.090					AIR	0.036(#2)	CL	P1-S	N,G,S
	U-Factor 0.30			SHGC (N / <1) 0.30 / 0.27				VT (N / <1) 0.54 / 0.48			CR 59	
	141.094/142.094/148.094 HS / Opt 7 (No Refo, Foam): clr / air / 70/36 (SS/SS) 3/4" IG											
	0.090	0.563	0.090					AIR	0.036(#3)	CL	P1-S	N,G,S
	U-Factor 0.30			SHGC (N / <1) 0.37 / 0.33				VT (N / <1) 0.54 / 0.48			CR 59	
554	141.094/142.094/148.094 HS / Opt 7 (No Refo, Foam): 70/36 / arg / clr (SS/SS) 3/4" IG											
	0.090	0.563	0.090					ARG90	0.036(#2)	CL	P1-S	N,G,S
	U-Factor 0.27			SHGC (N / <1) 0.30 / 0.27				VT (N / <1) 0.54 / 0.48			CR 62	
	141.094/142.094/148.094 HS / Opt 7 (No Refo, Foam): clr / arg / 70/36 (SS/SS) 3/4" IG											
	0.090	0.563	0.090					ARG90	0.036(#3)	CL	P1-S	N,G,S
	U-Factor 0.27			SHGC (N / <1) 0.38 / 0.34				VT (N / <1) 0.54 / 0.48			CR 62	
555	141.094/142.094/148.094 HS / Opt 7 (No Refo, Foam): 70/36 / air / clr (DS/DS) 3/4" IG											
	0.117	0.500	0.117					AIR	0.036(#2)	CL	P1-S	N,G,S
	U-Factor 0.30			SHGC (N / <1) 0.30 / 0.27				VT (N / <1) 0.53 / 0.47			CR 58	
	141.094/142.094/148.094 HS / Opt 7 (No Refo, Foam): clr / air / 70/36 (DS/DS) 3/4" IG											
	0.117	0.500	0.117					AIR	0.036(#3)	CL	P1-S	N,G,S
	U-Factor 0.30			SHGC (N / <1) 0.37 / 0.33				VT (N / <1) 0.53 / 0.47			CR 58	
556	141.094/142.094/148.094 HS / Opt 7 (No Refo, Foam): 70/36 / arg / clr (DS/DS) 3/4" IG											
	0.117	0.500	0.117					ARG90	0.036(#2)	CL	P1-S	N,G,S
	U-Factor 0.26			SHGC (N / <1) 0.29 / 0.27				VT (N / <1) 0.53 / 0.47			CR 62	
	141.094/142.094/148.094 HS / Opt 7 (No Refo, Foam): clr / arg / 70/36 (DS/DS) 3/4" IG											
	0.117	0.500	0.117					ARG90	0.036(#3)	CL	P1-S	N,G,S
	U-Factor 0.26			SHGC (N / <1) 0.37 / 0.33				VT (N / <1) 0.53 / 0.47			CR 62	
557	141.094/142.094/148.094 HS / Opt 7 (No Refo, Foam): lami / arg / 70/36 (DS 090 DS/DS) 3/4" IG											
	0.264	0.345	0.117					ARG90	0.036(#3)	CL	P1-S	N,S
	U-Factor 0.28			SHGC (N / <1) 0.35 / 0.32				VT (N / <1) 0.52 / 0.47			CR 59	
	141.094/142.094/148.094 HS / Opt 7 (No Refo, Foam): 70/36 / arg / lami (DS/DS 090 DS) 3/4" IG											
	0.117	0.345	0.264					ARG90	0.036(#2)	CL	P1-S	N,S
	U-Factor 0.28			SHGC (N / <1) 0.29 / 0.26				VT (N / <1) 0.52 / 0.47			CR 59	

NFRC 100/200/500 Summary Sheet
Windgate/Belmont/Hawthorne 2-Lite Slider

ID	Pane Thickness 1	Gap Width 1	Pane Thickness 2	Gap Width 2	Pane Thickness 3	Gap Width 3	Pane Thickness 4	Gap Fill	Low-e (Surface#)	Tint	Spacer	Grid Type
	U-Factor			Solar Heat Gain Coefficient (SHGC) Grids (None / <1 / >=1)				Visible Transmittance (VT) Grids (None / <1 / >=1)			Condensation Resistance	
558	141.094/142.094/148.094 HS / Opt 7 (No Refo, Foam): lami / arg / 70/36 (DS 090 DS/DS) 3/4" IG											
	0.264	0.345	0.117					ARG90	0.036(#3)	CL	P1-S	G,S
	U-Factor 0.30			SHGC (<1) 0.32				VT (<1) 0.47			CR 59	
	141.094/142.094/148.094 HS / Opt 7 (No Refo, Foam): 70/36 / arg / lami (DS/DS 090 DS) 3/4" IG											
	0.117	0.345	0.264					ARG90	0.036(#2)	CL	P1-S	G,S
	U-Factor 0.30			SHGC (<1) 0.26				VT (<1) 0.47			CR 59	
559	141.094/142.094/148.094 HS / Opt 7 (No Refo, Foam): 70/36 / arg / clr / arg / 70/36 (SS/SS/SS) 3/4" IG											
	0.090	0.250	0.090	0.250	0.090			ARG90	0.036(#2) / 0.036(#5)	CL	P1-S	N,S
	U-Factor 0.23			SHGC (N / <1) 0.26 / 0.23				VT (N / <1) 0.42 / 0.37			CR 68	
560	141.094/142.094/148.094 HS / Opt 7 (No Refo, Foam): 70/36 / arg / clr / arg / 70/36 (SS/SS/SS) 3/4" IG											
	0.090	0.250	0.090	0.250	0.090			ARG90	0.036(#2) / 0.036(#5)	CL	P1-S	G,S
	U-Factor 0.24			SHGC (<1) 0.23				VT (<1) 0.37			CR 68	
561	141.094/142.094/148.094 HS / Opt 7 (No Refo, Foam): 80/70 / air / clr (SS/SS) 3/4" IG											
	0.090	0.563	0.090					AIR	0.095(#2)	CL	P1-S	N,G,S
	U-Factor 0.32			SHGC (N / <1) 0.51 / 0.46				VT (N / <1) 0.62 / 0.55			CR 57	
	141.094/142.094/148.094 HS / Opt 7 (No Refo, Foam): clr / air / 80/70 (SS/SS) 3/4" IG											
	0.090	0.563	0.090					AIR	0.095(#3)	CL	P1-S	N,G,S
	U-Factor 0.32			SHGC (N / <1) 0.54 / 0.49				VT (N / <1) 0.62 / 0.55			CR 57	
562	141.094/142.094/148.094 HS / Opt 7 (No Refo, Foam): 80/70 / arg / clr (SS/SS) 3/4" IG											
	0.090	0.563	0.090					ARG90	0.095(#2)	CL	P1-S	N,G,S
	U-Factor 0.28			SHGC (N / <1) 0.51 / 0.46				VT (N / <1) 0.62 / 0.55			CR 61	
	141.094/142.094/148.094 HS / Opt 7 (No Refo, Foam): clr / arg / 80/70 (SS/SS) 3/4" IG											
	0.090	0.563	0.090					ARG90	0.095(#3)	CL	P1-S	N,G,S
	U-Factor 0.28			SHGC (N / <1) 0.54 / 0.49				VT (N / <1) 0.62 / 0.55			CR 61	
563	141.094/142.094/148.094 HS / Opt 7 (No Refo, Foam): 80/70 / air / clr (DS/DS) 3/4" IG											
	0.117	0.500	0.117					AIR	0.095(#2)	CL	P1-S	N,G,S
	U-Factor 0.31			SHGC (N / <1) 0.51 / 0.45				VT (N / <1) 0.61 / 0.55			CR 56	
	141.094/142.094/148.094 HS / Opt 7 (No Refo, Foam): clr / air / 80/70 (DS/DS) 3/4" IG											
	0.117	0.500	0.117					AIR	0.095(#3)	CL	P1-S	N,G,S
	U-Factor 0.31			SHGC (N / <1) 0.53 / 0.48				VT (N / <1) 0.61 / 0.55			CR 56	

NFRC 100/200/500 Summary Sheet
Windgate/Belmont/Hawthorne 2-Lite Slider

ID	Pane Thickness 1	Gap Width 1	Pane Thickness 2	Gap Width 2	Pane Thickness 3	Gap Width 3	Pane Thickness 4	Gap Fill	Low-e (Surface#)	Tint	Spacer	Grid Type
	U-Factor			Solar Heat Gain Coefficient (SHGC) Grids (None / <1 / >=1)				Visible Transmittance (VT) Grids (None / <1 / >=1)			Condensation Resistance	
564	141.094/142.094/148.094 HS / Opt 7 (No Refo, Foam): 80/70 / arg / clr (DS/DS) 3/4" IG											
	0.117	0.500	0.117					ARG90	0.095(#2)	CL	P1-S	N,G,S
	U-Factor 0.28			SHGC (N / <1) 0.51 / 0.45				VT (N / <1) 0.61 / 0.55			CR	60
	141.094/142.094/148.094 HS / Opt 7 (No Refo, Foam): clr / arg / 80/70 (DS/DS) 3/4" IG											
	0.117	0.500	0.117					ARG90	0.095(#3)	CL	P1-S	N,G,S
	U-Factor 0.28			SHGC (N / <1) 0.54 / 0.48				VT (N / <1) 0.61 / 0.55			CR	60
565	141.094/142.094/148.094 HS / Opt 7 (No Refo, Foam): lami / arg / 80/70 (DS 090 DS/DS) 3/4" IG											
	0.264	0.345	0.117					ARG90	0.095(#3)	CL	P1-S	N,S
	U-Factor 0.30			SHGC (N / <1) 0.49 / 0.44				VT (N / <1) 0.60 / 0.54			CR	58
	141.094/142.094/148.094 HS / Opt 7 (No Refo, Foam): 80/70 / arg / lami (DS/DS 090 DS) 3/4" IG											
	0.117	0.345	0.264					ARG90	0.095(#2)	CL	P1-S	N,S
	U-Factor 0.30			SHGC (N / <1) 0.50 / 0.45				VT (N / <1) 0.60 / 0.54			CR	58
566	141.094/142.094/148.094 HS / Opt 7 (No Refo, Foam): lami / arg / 80/70 (DS 090 DS/DS) 3/4" IG											
	0.264	0.345	0.117					ARG90	0.095(#3)	CL	P1-S	G,S
	U-Factor 0.31			SHGC (<1) 0.44				VT (<1) 0.54			CR	58
	141.094/142.094/148.094 HS / Opt 7 (No Refo, Foam): 80/70 / arg / lami (DS/DS 090 DS) 3/4" IG											
	0.117	0.345	0.264					ARG90	0.095(#2)	CL	P1-S	G,S
	U-Factor 0.31			SHGC (<1) 0.45				VT (<1) 0.54			CR	58
567	141.094/142.094/148.094 HS / Opt 7 (No Refo, Foam): 80/70 / arg / clr / arg / 80/70 (SS/SS/SS) 3/4" IG											
	0.090	0.250	0.090	0.250	0.090			ARG90	0.095(#2) / 0.095(#5)	CL	P1-S	N,S
	U-Factor 0.24			SHGC (N / <1) 0.45 / 0.41				VT (N / <1) 0.56 / 0.50			CR	66
568	141.094/142.094/148.094 HS / Opt 7 (No Refo, Foam): 80/70 / arg / clr / arg / 80/70 (SS/SS/SS) 3/4" IG											
	0.090	0.250	0.090	0.250	0.090			ARG90	0.095(#2) / 0.095(#5)	CL	P1-S	G,S
	U-Factor 0.25			SHGC (<1) 0.41				VT (<1) 0.50			CR	66
569	141.094/142.094/148.094 HS / Opt 7 (No Refo, Foam): clr / air / clr (SS/SS) 3/4" IG											
	0.087	0.563	0.087					AIR		CL	SS-D	N,G,S
	U-Factor 0.45			SHGC (N / <1) 0.61 / 0.54				VT (N / <1) 0.63 / 0.56			CR	44
570	141.094/142.094/148.094 HS / Opt 7 (No Refo, Foam): clr / air / clr (DS/DS) 3/4" IG											
	0.118	0.500	0.118					AIR		CL	SS-D	N,G,S
	U-Factor 0.44			SHGC (N / <1) 0.59 / 0.53				VT (N / <1) 0.62 / 0.56			CR	44

NFRC 100/200/500 Summary Sheet
Windgate/Belmont/Hawthorne 2-Lite Slider

ID	Pane Thickness 1	Gap Width 1	Pane Thickness 2	Gap Width 2	Pane Thickness 3	Gap Width 3	Pane Thickness 4	Gap Fill	Low-e (Surface#)	Tint	Spacer	Grid Type
	U-Factor			Solar Heat Gain Coefficient (SHGC) Grids (None / <1 / >=1)				Visible Transmittance (VT) Grids (None / <1 / >=1)			Condensation Resistance	
571	141.094/142.094/148.094 HS / Opt 7 (No Refo, Foam): clr / air / clr (5mm/DS) 3/4" IG											
	0.185	0.438	0.118					AIR		CL	SS-D	N,G,S
	U-Factor 0.45			SHGC (N / <1) 0.57 / 0.51				VT (N / <1) 0.62 / 0.55			CR 43	
572	141.094/142.094/148.094 HS / Opt 7 (No Refo, Foam): clr / air / clr (5mm/DS) 3/4" IG											
	0.185	0.438	0.118					AIR		CL	SS-D	G
	U-Factor 0.45			SHGC (<1) 0.51				VT (<1) 0.55			CR 43	
573	141.094/142.094/148.094 HS / Opt 7 (No Refo, Foam): lami / air / clr (DS 090 DS/DS) 3/4" IG											
	0.264	0.345	0.118					AIR		CL	SS-D	N,S
	U-Factor 0.46			SHGC (N / <1) 0.55 / 0.49				VT (N / <1) 0.61 / 0.55			CR 42	
	141.094/142.094/148.094 HS / Opt 7 (No Refo, Foam): clr / air / lami (DS/DS 090 DS) 3/4" IG											
	0.118	0.345	0.264					AIR		CL	SS-D	N,S
	U-Factor 0.46			SHGC (N / <1) 0.57 / 0.51				VT (N / <1) 0.61 / 0.55			CR 42	
574	141.094/142.094/148.094 HS / Opt 7 (No Refo, Foam): lami / air / clr (DS 090 DS/DS) 3/4" IG											
	0.264	0.345	0.118					AIR		CL	SS-D	G,S
	U-Factor 0.47			SHGC (<1) 0.49				VT (<1) 0.55			CR 42	
	141.094/142.094/148.094 HS / Opt 7 (No Refo, Foam): clr / air / lami (DS/DS 090 DS) 3/4" IG											
	0.118	0.345	0.264					AIR		CL	SS-D	G,S
	U-Factor 0.47			SHGC (<1) 0.51				VT (<1) 0.55			CR 42	
575	141.094/142.094/148.094 HS / Opt 7 (No Refo, Foam): clr / air / clr / air / clr (SS/SS/SS) 3/4" IG (P1-S)											
	0.087	0.250	0.087	0.250	0.087			AIR		CL	SS-D	N,S
	U-Factor 0.37			SHGC (N / <1) 0.55 / 0.49				VT (N / <1) 0.58 / 0.52			CR 52	
576	141.094/142.094/148.094 HS / Opt 7 (No Refo, Foam): clr / air / clr / air / clr (SS/SS/SS) 3/4" IG (P1-S)											
	0.087	0.250	0.087	0.250	0.087			AIR		CL	SS-D	G,S
	U-Factor 0.38			SHGC (<1) 0.49				VT (<1) 0.52			CR 52	
577	141.094/142.094/148.094 HS / Opt 7 (No Refo, Foam): E270 / air / clr (SS/SS) 3/4" IG											
	0.087	0.563	0.087					AIR	0.037(#2)	CL	SS-D	N,G,S
	U-Factor 0.31			SHGC (N / <1) 0.29 / 0.26				VT (N / <1) 0.54 / 0.48			CR 56	
	141.094/142.094/148.094 HS / Opt 7 (No Refo, Foam): clr / air / E270 (SS/SS) 3/4" IG											
	0.087	0.563	0.087					AIR	0.037(#3)	CL	SS-D	N,G,S
	U-Factor 0.31			SHGC (N / <1) 0.35 / 0.32				VT (N / <1) 0.54 / 0.48			CR 56	

**NFRC 100/200/500 Summary Sheet
Windgate/Belmont/Hawthorne 2-Lite Slider**

ID	Pane Thickness 1	Gap Width 1	Pane Thickness 2	Gap Width 2	Pane Thickness 3	Gap Width 3	Pane Thickness 4	Gap Fill	Low-e (Surface#)	Tint	Spacer	Grid Type
	U-Factor			Solar Heat Gain Coefficient (SHGC) Grids (None / <1 / >=1)				Visible Transmittance (VT) Grids (None / <1 / >=1)			Condensation Resistance	
578	141.094/142.094/148.094 HS / Opt 7 (No Refo, Foam): E270 / arg / clr (SS/SS) 3/4" IG											
	0.087	0.563	0.087					ARG90	0.037(#2)	CL	SS-D	N,G,S
	U-Factor 0.28			SHGC (N / <1) 0.28 / 0.26				VT (N / <1) 0.54 / 0.48			CR 59	
	141.094/142.094/148.094 HS / Opt 7 (No Refo, Foam): clr / arg / E270 (SS/SS) 3/4" IG											
	0.087	0.563	0.087					ARG90	0.037(#3)	CL	SS-D	N,G,S
	U-Factor 0.28			SHGC (N / <1) 0.36 / 0.32				VT (N / <1) 0.54 / 0.48			CR 59	
579	141.094/142.094/148.094 HS / Opt 7 (No Refo, Foam): E270 / air / clr (DS/DS) 3/4" IG											
	0.118	0.500	0.118					AIR	0.037(#2)	CL	SS-D	N,G,S
	U-Factor 0.31			SHGC (N / <1) 0.29 / 0.26				VT (N / <1) 0.53 / 0.47			CR 55	
	141.094/142.094/148.094 HS / Opt 7 (No Refo, Foam): clr / air / E270 (DS/DS) 3/4" IG											
	0.118	0.500	0.118					AIR	0.037(#3)	CL	SS-D	N,G,S
	U-Factor 0.31			SHGC (N / <1) 0.35 / 0.31				VT (N / <1) 0.53 / 0.47			CR 55	
580	141.094/142.094/148.094 HS / Opt 7 (No Refo, Foam): E270 / arg / clr (DS/DS) 3/4" IG											
	0.118	0.500	0.118					ARG90	0.037(#2)	CL	SS-D	N,G,S
	U-Factor 0.27			SHGC (N / <1) 0.28 / 0.25				VT (N / <1) 0.53 / 0.47			CR 58	
	141.094/142.094/148.094 HS / Opt 7 (No Refo, Foam): clr / arg / E270 (DS/DS) 3/4" IG											
	0.118	0.500	0.118					ARG90	0.037(#3)	CL	SS-D	N,G,S
	U-Factor 0.27			SHGC (N / <1) 0.35 / 0.32				VT (N / <1) 0.53 / 0.47			CR 58	
581	141.094/142.094/148.094 HS / Opt 7 (No Refo, Foam): lami / arg / E270 (DS 090 DS/DS) 3/4" IG											
	0.264	0.345	0.118					ARG90	0.037(#3)	CL	SS-D	N,S
	U-Factor 0.29			SHGC (N / <1) 0.33 / 0.30				VT (N / <1) 0.52 / 0.47			CR 56	
	141.094/142.094/148.094 HS / Opt 7 (No Refo, Foam): E270 / arg / lami (DS/DS 090 DS) 3/4" IG											
	0.118	0.345	0.264					ARG90	0.037(#2)	CL	SS-D	N,S
	U-Factor 0.29			SHGC (N / <1) 0.28 / 0.25				VT (N / <1) 0.52 / 0.47			CR 56	
582	141.094/142.094/148.094 HS / Opt 7 (No Refo, Foam): lami / arg / E270 (DS 090 DS/DS) 3/4" IG											
	0.264	0.345	0.118					ARG90	0.037(#3)	CL	SS-D	G,S
	U-Factor 0.31			SHGC (<1) 0.30				VT (<1) 0.47			CR 56	
	141.094/142.094/148.094 HS / Opt 7 (No Refo, Foam): E270 / arg / lami (DS/DS 090 DS) 3/4" IG											
	0.118	0.345	0.264					ARG90	0.037(#2)	CL	SS-D	G,S
	U-Factor 0.31			SHGC (<1) 0.25				VT (<1) 0.47			CR 56	

NFRC 100/200/500 Summary Sheet
Windgate/Belmont/Hawthorne 2-Lite Slider

ID	Pane Thickness 1	Gap Width 1	Pane Thickness 2	Gap Width 2	Pane Thickness 3	Gap Width 3	Pane Thickness 4	Gap Fill	Low-e (Surface#)	Tint	Spacer	Grid Type
	U-Factor			Solar Heat Gain Coefficient (SHGC) Grids (None / <1 / >=1)				Visible Transmittance (VT) Grids (None / <1 / >=1)			Condensation Resistance	
583	141.094/142.094/148.094 HS / Opt 7 (No Refo, Foam): E270 / arg / clr / arg / E270 (SS/SS/SS) 3/4" IG (SS-D)											
	0.087	0.266	0.087	0.266	0.087			ARG90	0.037(#2) / 0.037(#5)	CL	SS-D	N,S
	U-Factor 0.23			SHGC (N / <1) 0.24 / 0.22				VT (N / <1) 0.42 / 0.37			CR 65	
584	141.094/142.094/148.094 HS / Opt 7 (No Refo, Foam): E270 / arg / clr / arg / E270 (SS/SS/SS) 3/4" IG (SS-D)											
	0.087	0.266	0.087	0.266	0.087			ARG90	0.037(#2) / 0.037(#5)	CL	SS-D	G,S
	U-Factor 0.24			SHGC (<1) 0.22				VT (<1) 0.37			CR 65	
585	141.094/142.094/148.094 HS / Opt 7 (No Refo, Foam): E366 / air / clr (SS/SS) 3/4" IG											
	0.087	0.563	0.087					AIR	0.022(#2)	CL	SS-D	N,G,S
	U-Factor 0.31			SHGC (N / <1) 0.21 / 0.19				VT (N / <1) 0.50 / 0.44			CR 56	
	141.094/142.094/148.094 HS / Opt 7 (No Refo, Foam): clr / air / E366 (SS/SS) 3/4" IG											
	0.087	0.563	0.087					AIR	0.022(#3)	CL	SS-D	N,G,S
	U-Factor 0.31			SHGC (N / <1) 0.30 / 0.27				VT (N / <1) 0.50 / 0.44			CR 56	
586	141.094/142.094/148.094 HS / Opt 7 (No Refo, Foam): E366 / arg / clr (SS/SS) 3/4" IG											
	0.087	0.563	0.087					ARG90	0.022(#2)	CL	SS-D	N,G,S
	U-Factor 0.27			SHGC (N / <1) 0.21 / 0.19				VT (N / <1) 0.50 / 0.44			CR 59	
	141.094/142.094/148.094 HS / Opt 7 (No Refo, Foam): clr / arg / E366 (SS/SS) 3/4" IG											
	0.087	0.563	0.087					ARG90	0.022(#3)	CL	SS-D	N,G,S
	U-Factor 0.27			SHGC (N / <1) 0.30 / 0.27				VT (N / <1) 0.50 / 0.44			CR 59	
587	141.094/142.094/148.094 HS / Opt 7 (No Refo, Foam): E366 / air / clr (DS/DS) 3/4" IG											
	0.117	0.500	0.118					AIR	0.022(#2)	CL	SS-D	N,G,S
	U-Factor 0.30			SHGC (N / <1) 0.21 / 0.19				VT (N / <1) 0.49 / 0.44			CR 55	
	141.094/142.094/148.094 HS / Opt 7 (No Refo, Foam): clr / air / E366 (DS/DS) 3/4" IG											
	0.118	0.500	0.117					AIR	0.022(#3)	CL	SS-D	N,G,S
	U-Factor 0.30			SHGC (N / <1) 0.29 / 0.27				VT (N / <1) 0.49 / 0.44			CR 55	
588	141.094/142.094/148.094 HS / Opt 7 (No Refo, Foam): E366 / arg / clr (DS/DS) 3/4" IG											
	0.117	0.500	0.118					ARG90	0.022(#2)	CL	SS-D	N,G,S
	U-Factor 0.27			SHGC (N / <1) 0.21 / 0.19				VT (N / <1) 0.49 / 0.44			CR 59	
	141.094/142.094/148.094 HS / Opt 7 (No Refo, Foam): clr / arg / E366 (DS/DS) 3/4" IG											
	0.118	0.500	0.117					ARG90	0.022(#3)	CL	SS-D	N,G,S
	U-Factor 0.27			SHGC (N / <1) 0.30 / 0.27				VT (N / <1) 0.49 / 0.44			CR 59	

NFRC 100/200/500 Summary Sheet
Windgate/Belmont/Hawthorne 2-Lite Slider

ID	Pane Thickness 1	Gap Width 1	Pane Thickness 2	Gap Width 2	Pane Thickness 3	Gap Width 3	Pane Thickness 4	Gap Fill	Low-e (Surface#)	Tint	Spacer	Grid Type
	U-Factor			Solar Heat Gain Coefficient (SHGC) Grids (None / <1 / >=1)				Visible Transmittance (VT) Grids (None / <1 / >=1)			Condensation Resistance	
589	141.094/142.094/148.094 HS / Opt 7 (No Refo, Foam): lami / arg / E366 (DS 090 DS/DS) 3/4" IG											
	0.264	0.345	0.117					ARG90	0.022(#3)	CL	SS-D	N,S
	U-Factor 0.29			SHGC (N / <1) 0.29 / 0.26				VT (N / <1) 0.48 / 0.43			CR 56	
	141.094/142.094/148.094 HS / Opt 7 (No Refo, Foam): E366 / arg / lami (DS/DS 090 DS) 3/4" IG											
	0.117	0.345	0.264					ARG90	0.022(#2)	CL	SS-D	N,S
	U-Factor 0.29			SHGC (N / <1) 0.21 / 0.19				VT (N / <1) 0.48 / 0.43			CR 56	
590	141.094/142.094/148.094 HS / Opt 7 (No Refo, Foam): lami / arg / E366 (DS 090 DS/DS) 3/4" IG											
	0.264	0.345	0.117					ARG90	0.022(#3)	CL	SS-D	G,S
	U-Factor 0.30			SHGC (<1) 0.26				VT (<1) 0.43			CR 56	
	141.094/142.094/148.094 HS / Opt 7 (No Refo, Foam): E366 / arg / lami (DS/DS 090 DS) 3/4" IG											
	0.117	0.345	0.264					ARG90	0.022(#2)	CL	SS-D	G,S
	U-Factor 0.30			SHGC (<1) 0.19				VT (<1) 0.43			CR 56	
591	141.094/142.094/148.094 HS / Opt 7 (No Refo, Foam): E366 / arg / clr / arg / E366 (SS/SS/SS) 3/4" IG (SS-D)											
	0.087	0.266	0.087	0.266	0.087			ARG90	0.022(#2) / 0.022(#5)	CL	SS-D	N,S
	U-Factor 0.23			SHGC (N / <1) 0.19 / 0.17				VT (N / <1) 0.36 / 0.32			CR 66	
592	141.094/142.094/148.094 HS / Opt 7 (No Refo, Foam): E366 / arg / clr / arg / E366 (SS/SS/SS) 3/4" IG (SS-D)											
	0.087	0.266	0.087	0.266	0.087			ARG90	0.022(#2) / 0.022(#5)	CL	SS-D	G,S
	U-Factor 0.23			SHGC (<1) 0.17				VT (<1) 0.32			CR 66	
593	141.094/142.094/148.094 HS / Opt 7 (No Refo, Foam): clr / air / clr (SS/SS) 3/4" IG											
	0.087	0.563	0.087					AIR		CL	TS-D	N,G,S
	U-Factor 0.45			SHGC (N / <1) 0.61 / 0.54				VT (N / <1) 0.63 / 0.56			CR 44	
594	141.094/142.094/148.094 HS / Opt 7 (No Refo, Foam): clr / air / clr (DS/DS) 3/4" IG											
	0.118	0.500	0.118					AIR		CL	TS-D	N,G,S
	U-Factor 0.45			SHGC (N / <1) 0.59 / 0.53				VT (N / <1) 0.62 / 0.56			CR 43	
595	141.094/142.094/148.094 HS / Opt 7 (No Refo, Foam): clr / air / clr (5mm/DS) 3/4" IG											
	0.185	0.438	0.118					AIR		CL	TS-D	N,G,S
	U-Factor 0.45			SHGC (N / <1) 0.57 / 0.51				VT (N / <1) 0.62 / 0.55			CR 43	
596	141.094/142.094/148.094 HS / Opt 7 (No Refo, Foam): clr / air / clr (5mm/DS) 3/4" IG											
	0.185	0.438	0.118					AIR		CL	TS-D	G
	U-Factor 0.45			SHGC (<1) 0.51				VT (<1) 0.55			CR 42	

**NFRC 100/200/500 Summary Sheet
Windgate/Belmont/Hawthorne 2-Lite Slider**

ID	Pane Thickness 1	Gap Width 1	Pane Thickness 2	Gap Width 2	Pane Thickness 3	Gap Width 3	Pane Thickness 4	Gap Fill	Low-e (Surface#)	Tint	Spacer	Grid Type
	U-Factor			Solar Heat Gain Coefficient (SHGC) Grids (None / <1 / >=1)				Visible Transmittance (VT) Grids (None / <1 / >=1)			Condensation Resistance	
597	141.094/142.094/148.094 HS / Opt 7 (No Refo, Foam): lami / air / clr (DS 090 DS/DS) 3/4" IG											
	0.264	0.345	0.118					AIR		CL	TS-D	N,S
	U-Factor 0.46			SHGC (N / <1) 0.55 / 0.49				VT (N / <1) 0.61 / 0.55			CR 42	
	141.094/142.094/148.094 HS / Opt 7 (No Refo, Foam): clr / air / lami (DS/DS 090 DS) 3/4" IG											
	0.118	0.345	0.264					AIR		CL	TS-D	N,S
	U-Factor 0.46			SHGC (N / <1) 0.57 / 0.51				VT (N / <1) 0.61 / 0.55			CR 42	
598	141.094/142.094/148.094 HS / Opt 7 (No Refo, Foam): lami / air / clr (DS 090 DS/DS) 3/4" IG											
	0.264	0.345	0.118					AIR		CL	TS-D	G,S
	U-Factor 0.47			SHGC (<1) 0.49				VT (<1) 0.55			CR 42	
	141.094/142.094/148.094 HS / Opt 7 (No Refo, Foam): clr / air / lami (DS/DS 090 DS) 3/4" IG											
	0.118	0.345	0.264					AIR		CL	TS-D	G,S
	U-Factor 0.47			SHGC (<1) 0.51				VT (<1) 0.55			CR 42	
599	141.094/142.094/148.094 HS / Opt 7 (No Refo, Foam): clr / air / clr / air / clr (SS/SS/SS) 3/4" IG (P1-S)											
	0.087	0.250	0.087	0.250	0.087			AIR		CL	TS-D	N,S
	U-Factor 0.37			SHGC (N / <1) 0.55 / 0.49				VT (N / <1) 0.58 / 0.52			CR 51	
600	141.094/142.094/148.094 HS / Opt 7 (No Refo, Foam): clr / air / clr / air / clr (SS/SS/SS) 3/4" IG (P1-S)											
	0.087	0.250	0.087	0.250	0.087			AIR		CL	TS-D	G,S
	U-Factor 0.38			SHGC (<1) 0.49				VT (<1) 0.52			CR 51	
601	141.094/142.094/148.094 HS / Opt 7 (No Refo, Foam): 70/36 / air / clr (SS/SS) 3/4" IG											
	0.090	0.563	0.090					AIR	0.036(#2)	CL	TS-D	N,G,S
	U-Factor 0.31			SHGC (N / <1) 0.30 / 0.27				VT (N / <1) 0.54 / 0.48			CR 54	
	141.094/142.094/148.094 HS / Opt 7 (No Refo, Foam): clr / air / 70/36 (SS/SS) 3/4" IG											
	0.090	0.563	0.090					AIR	0.036(#3)	CL	TS-D	N,G,S
	U-Factor 0.31			SHGC (N / <1) 0.37 / 0.33				VT (N / <1) 0.54 / 0.48			CR 54	
602	141.094/142.094/148.094 HS / Opt 7 (No Refo, Foam): 70/36 / arg / clr (SS/SS) 3/4" IG											
	0.090	0.563	0.090					ARG90	0.036(#2)	CL	TS-D	N,G,S
	U-Factor 0.28			SHGC (N / <1) 0.30 / 0.27				VT (N / <1) 0.54 / 0.48			CR 58	
	141.094/142.094/148.094 HS / Opt 7 (No Refo, Foam): clr / arg / 70/36 (SS/SS) 3/4" IG											
	0.090	0.563	0.090					ARG90	0.036(#3)	CL	TS-D	N,G,S
	U-Factor 0.28			SHGC (N / <1) 0.38 / 0.34				VT (N / <1) 0.54 / 0.48			CR 58	

NFRC 100/200/500 Summary Sheet
Windgate/Belmont/Hawthorne 2-Lite Slider

ID	Pane Thickness 1	Gap Width 1	Pane Thickness 2	Gap Width 2	Pane Thickness 3	Gap Width 3	Pane Thickness 4	Gap Fill	Low-e (Surface#)	Tint	Spacer	Grid Type
	U-Factor			Solar Heat Gain Coefficient (SHGC) Grids (None / <1 / >=1)				Visible Transmittance (VT) Grids (None / <1 / >=1)			Condensation Resistance	
603	141.094/142.094/148.094 HS / Opt 7 (No Refo, Foam): 70/36 / air / clr (DS/DS) 3/4" IG											
	0.117	0.500	0.117					AIR	0.036(#2)	CL	TS-D	N,G,S
	U-Factor 0.31			SHGC (N / <1) 0.30 / 0.27				VT (N / <1) 0.53 / 0.47			CR 53	
	141.094/142.094/148.094 HS / Opt 7 (No Refo, Foam): clr / air / 70/36 (DS/DS) 3/4" IG											
	0.117	0.500	0.117					AIR	0.036(#3)	CL	TS-D	N,G,S
	U-Factor 0.31			SHGC (N / <1) 0.37 / 0.33				VT (N / <1) 0.53 / 0.47			CR 53	
604	141.094/142.094/148.094 HS / Opt 7 (No Refo, Foam): 70/36 / arg / clr (DS/DS) 3/4" IG											
	0.117	0.500	0.117					ARG90	0.036(#2)	CL	TS-D	N,G,S
	U-Factor 0.28			SHGC (N / <1) 0.29 / 0.27				VT (N / <1) 0.53 / 0.47			CR 56	
	141.094/142.094/148.094 HS / Opt 7 (No Refo, Foam): clr / arg / 70/36 (DS/DS) 3/4" IG											
	0.117	0.500	0.117					ARG90	0.036(#3)	CL	TS-D	N,G,S
	U-Factor 0.28			SHGC (N / <1) 0.37 / 0.33				VT (N / <1) 0.53 / 0.47			CR 56	
605	141.094/142.094/148.094 HS / Opt 7 (No Refo, Foam): lami / arg / 70/36 (DS 090 DS/DS) 3/4" IG											
	0.264	0.345	0.117					ARG90	0.036(#3)	CL	TS-D	N,S
	U-Factor 0.30			SHGC (N / <1) 0.35 / 0.32				VT (N / <1) 0.52 / 0.47			CR 55	
	141.094/142.094/148.094 HS / Opt 7 (No Refo, Foam): 70/36 / arg / lami (DS/DS 090 DS) 3/4" IG											
	0.117	0.345	0.264					ARG90	0.036(#2)	CL	TS-D	N,S
	U-Factor 0.30			SHGC (N / <1) 0.29 / 0.26				VT (N / <1) 0.52 / 0.47			CR 55	
606	141.094/142.094/148.094 HS / Opt 7 (No Refo, Foam): lami / arg / 70/36 (DS 090 DS/DS) 3/4" IG											
	0.264	0.345	0.117					ARG90	0.036(#3)	CL	TS-D	G,S
	U-Factor 0.31			SHGC (<1) 0.32				VT (<1) 0.47			CR 55	
	141.094/142.094/148.094 HS / Opt 7 (No Refo, Foam): 70/36 / arg / lami (DS/DS 090 DS) 3/4" IG											
	0.117	0.345	0.264					ARG90	0.036(#2)	CL	TS-D	G,S
	U-Factor 0.31			SHGC (<1) 0.26				VT (<1) 0.47			CR 55	
607	141.094/142.094/148.094 HS / Opt 7 (No Refo, Foam): 70/36 / arg / clr / arg / 70/36 (SS/SS/SS) 3/4" IG											
	0.090	0.250	0.090	0.250	0.090			ARG90	0.036(#2) / 0.036(#5)	CL	TS-D	N,S
	U-Factor 0.24			SHGC (N / <1) 0.26 / 0.23				VT (N / <1) 0.42 / 0.37			CR 62	
608	141.094/142.094/148.094 HS / Opt 7 (No Refo, Foam): 70/36 / arg / clr / arg / 70/36 (SS/SS/SS) 3/4" IG											
	0.090	0.250	0.090	0.250	0.090			ARG90	0.036(#2) / 0.036(#5)	CL	TS-D	G,S
	U-Factor 0.25			SHGC (<1) 0.23				VT (<1) 0.37			CR 62	

NFRC 100/200/500 Summary Sheet
Windgate/Belmont/Hawthorne 2-Lite Slider

ID	Pane Thickness 1	Gap Width 1	Pane Thickness 2	Gap Width 2	Pane Thickness 3	Gap Width 3	Pane Thickness 4	Gap Fill	Low-e (Surface#)	Tint	Spacer	Grid Type
	U-Factor			Solar Heat Gain Coefficient (SHGC) Grids (None / <1 / >=1)				Visible Transmittance (VT) Grids (None / <1 / >=1)			Condensation Resistance	
609	141.094/142.094/148.094 HS / Opt 7 (No Refo, Foam): 80/70 / air / clr (SS/SS) 3/4" IG											
	0.090	0.563	0.090					AIR	0.095(#2)	CL	TS-D	N,G,S
	U-Factor 0.33			SHGC (N / <1) 0.51 / 0.46				VT (N / <1) 0.62 / 0.55			CR 53	
	141.094/142.094/148.094 HS / Opt 7 (No Refo, Foam): clr / air / 80/70 (SS/SS) 3/4" IG											
	0.090	0.563	0.090					AIR	0.095(#3)	CL	TS-D	N,G,S
	U-Factor 0.33			SHGC (N / <1) 0.54 / 0.49				VT (N / <1) 0.62 / 0.55			CR 53	
610	141.094/142.094/148.094 HS / Opt 7 (No Refo, Foam): 80/70 / arg / clr (SS/SS) 3/4" IG											
	0.090	0.563	0.090					ARG90	0.095(#2)	CL	TS-D	N,G,S
	U-Factor 0.30			SHGC (N / <1) 0.51 / 0.46				VT (N / <1) 0.62 / 0.55			CR 56	
	141.094/142.094/148.094 HS / Opt 7 (No Refo, Foam): clr / arg / 80/70 (SS/SS) 3/4" IG											
	0.090	0.563	0.090					ARG90	0.095(#3)	CL	TS-D	N,G,S
	U-Factor 0.30			SHGC (N / <1) 0.54 / 0.49				VT (N / <1) 0.62 / 0.55			CR 56	
611	141.094/142.094/148.094 HS / Opt 7 (No Refo, Foam): 80/70 / air / clr (DS/DS) 3/4" IG											
	0.117	0.500	0.117					AIR	0.095(#2)	CL	TS-D	N,G,S
	U-Factor 0.33			SHGC (N / <1) 0.51 / 0.45				VT (N / <1) 0.61 / 0.55			CR 52	
	141.094/142.094/148.094 HS / Opt 7 (No Refo, Foam): clr / air / 80/70 (DS/DS) 3/4" IG											
	0.117	0.500	0.117					AIR	0.095(#3)	CL	TS-D	N,G,S
	U-Factor 0.33			SHGC (N / <1) 0.53 / 0.48				VT (N / <1) 0.61 / 0.55			CR 52	
612	141.094/142.094/148.094 HS / Opt 7 (No Refo, Foam): 80/70 / arg / clr (DS/DS) 3/4" IG											
	0.117	0.500	0.117					ARG90	0.095(#2)	CL	TS-D	N,G,S
	U-Factor 0.29			SHGC (N / <1) 0.51 / 0.45				VT (N / <1) 0.61 / 0.55			CR 55	
	141.094/142.094/148.094 HS / Opt 7 (No Refo, Foam): clr / arg / 80/70 (DS/DS) 3/4" IG											
	0.117	0.500	0.117					ARG90	0.095(#3)	CL	TS-D	N,G,S
	U-Factor 0.29			SHGC (N / <1) 0.54 / 0.48				VT (N / <1) 0.61 / 0.55			CR 55	
613	141.094/142.094/148.094 HS / Opt 7 (No Refo, Foam): lami / arg / 80/70 (DS 090 DS/DS) 3/4" IG											
	0.264	0.345	0.117					ARG90	0.095(#3)	CL	TS-D	N,S
	U-Factor 0.31			SHGC (N / <1) 0.49 / 0.44				VT (N / <1) 0.60 / 0.54			CR 54	
	141.094/142.094/148.094 HS / Opt 7 (No Refo, Foam): 80/70 / arg / lami (DS/DS 090 DS) 3/4" IG											
	0.117	0.345	0.264					ARG90	0.095(#2)	CL	TS-D	N,S
	U-Factor 0.31			SHGC (N / <1) 0.50 / 0.45				VT (N / <1) 0.60 / 0.54			CR 54	

NFRC 100/200/500 Summary Sheet
Windgate/Belmont/Hawthorne 2-Lite Slider

ID	Pane Thickness 1	Gap Width 1	Pane Thickness 2	Gap Width 2	Pane Thickness 3	Gap Width 3	Pane Thickness 4	Gap Fill	Low-e (Surface#)	Tint	Spacer	Grid Type
	U-Factor			Solar Heat Gain Coefficient (SHGC) Grids (None / <1 / >=1)				Visible Transmittance (VT) Grids (None / <1 / >=1)			Condensation Resistance	
614	141.094/142.094/148.094 HS / Opt 7 (No Refo, Foam): lami / arg / 80/70 (DS 090 DS/DS) 3/4" IG											
	0.264	0.345	0.117					ARG90	0.095(#3)	CL	TS-D	G,S
	U-Factor 0.32			SHGC (<1) 0.44				VT (<1) 0.54			CR 54	
	141.094/142.094/148.094 HS / Opt 7 (No Refo, Foam): 80/70 / arg / lami (DS/DS 090 DS) 3/4" IG											
	0.117	0.345	0.264					ARG90	0.095(#2)	CL	TS-D	G,S
	U-Factor 0.32			SHGC (<1) 0.45				VT (<1) 0.54			CR 54	
615	141.094/142.094/148.094 HS / Opt 7 (No Refo, Foam): 80/70 / arg / clr / arg / 80/70 (SS/SS/SS) 3/4" IG											
	0.090	0.250	0.090	0.250	0.090			ARG90	0.095(#2) / 0.095(#5)	CL	TS-D	N,S
	U-Factor 0.25			SHGC (N / <1) 0.45 / 0.41				VT (N / <1) 0.56 / 0.50			CR 61	
616	141.094/142.094/148.094 HS / Opt 7 (No Refo, Foam): 80/70 / arg / clr / arg / 80/70 (SS/SS/SS) 3/4" IG											
	0.090	0.250	0.090	0.250	0.090			ARG90	0.095(#2) / 0.095(#5)	CL	TS-D	G,S
	U-Factor 0.26			SHGC (<1) 0.41				VT (<1) 0.50			CR 61	
617	141.094/142.094/148.094 HS / Opt 8 (ALU Refo KS/LS, Foam): clr / air / clr (SS/SS) 3/4" IG											
	0.087	0.563	0.087					AIR		CL	P1-S	N,G,S
	U-Factor 0.44			SHGC (N / <1) 0.61 / 0.54				VT (N / <1) 0.63 / 0.56			CR 45	
618	141.094/142.094/148.094 HS / Opt 8 (ALU Refo KS/LS, Foam): clr / air / clr (DS/DS) 3/4" IG											
	0.118	0.500	0.118					AIR		CL	P1-S	N,G,S
	U-Factor 0.44			SHGC (N / <1) 0.59 / 0.53				VT (N / <1) 0.62 / 0.56			CR 45	
619	141.094/142.094/148.094 HS / Opt 8 (ALU Refo KS/LS, Foam): clr / air / clr (5mm/DS) 3/4" IG											
	0.185	0.438	0.118					AIR		CL	P1-S	N,G,S
	U-Factor 0.44			SHGC (N / <1) 0.57 / 0.51				VT (N / <1) 0.62 / 0.55			CR 44	
620	141.094/142.094/148.094 HS / Opt 8 (ALU Refo KS/LS, Foam): clr / air / clr (5mm/DS) 3/4" IG											
	0.185	0.438	0.118					AIR		CL	P1-S	G
	U-Factor 0.45			SHGC (<1) 0.51				VT (<1) 0.55			CR 44	
621	141.094/142.094/148.094 HS / Opt 8 (ALU Refo KS/LS, Foam): lami / air / clr (DS 090 DS/DS) 3/4" IG											
	0.264	0.345	0.118					AIR		CL	P1-S	N,S
	U-Factor 0.46			SHGC (N / <1) 0.55 / 0.49				VT (N / <1) 0.61 / 0.55			CR 43	
	141.094/142.094/148.094 HS / Opt 8 (ALU Refo KS/LS, Foam): clr / air / lami (DS/DS 090 DS) 3/4" IG											
	0.118	0.345	0.264					AIR		CL	P1-S	N,S
	U-Factor 0.46			SHGC (N / <1) 0.57 / 0.51				VT (N / <1) 0.61 / 0.55			CR 43	

NFRC 100/200/500 Summary Sheet
Windgate/Belmont/Hawthorne 2-Lite Slider

ID	Pane Thickness 1	Gap Width 1	Pane Thickness 2	Gap Width 2	Pane Thickness 3	Gap Width 3	Pane Thickness 4	Gap Fill	Low-e (Surface#)	Tint	Spacer	Grid Type
	U-Factor			Solar Heat Gain Coefficient (SHGC) Grids (None / <1 / >=1)				Visible Transmittance (VT) Grids (None / <1 / >=1)			Condensation Resistance	
622	141.094/142.094/148.094 HS / Opt 8 (ALU Refo KS/LS, Foam): lami / air / clr (DS 090 DS/DS) 3/4" IG											
	0.264	0.345	0.118					AIR		CL	P1-S	G,S
	U-Factor 0.46			SHGC (<1) 0.49				VT (<1) 0.55			CR 43	
	141.094/142.094/148.094 HS / Opt 8 (ALU Refo KS/LS, Foam): clr / air / lami (DS/DS 090 DS) 3/4" IG											
	0.118	0.345	0.264					AIR		CL	P1-S	G,S
	U-Factor 0.46			SHGC (<1) 0.51				VT (<1) 0.55			CR 43	
623	141.094/142.094/148.094 HS / Opt 8 (ALU Refo KS/LS, Foam): clr / air / clr / air / clr (SS/SS/SS) 3/4" IG (P1-S)											
	0.087	0.250	0.087	0.250	0.087			AIR		CL	P1-S	N,S
	U-Factor 0.36			SHGC (N / <1) 0.55 / 0.49				VT (N / <1) 0.58 / 0.52			CR 53	
624	141.094/142.094/148.094 HS / Opt 8 (ALU Refo KS/LS, Foam): clr / air / clr / air / clr (SS/SS/SS) 3/4" IG (P1-S)											
	0.087	0.250	0.087	0.250	0.087			AIR		CL	P1-S	G,S
	U-Factor 0.37			SHGC (<1) 0.49				VT (<1) 0.52			CR 53	
625	141.094/142.094/148.094 HS / Opt 8 (ALU Refo KS/LS, Foam): E270 / air / clr (SS/SS) 3/4" IG											
	0.087	0.563	0.087					AIR	0.037(#2)	CL	P1-S	N,G,S
	U-Factor 0.30			SHGC (N / <1) 0.29 / 0.26				VT (N / <1) 0.54 / 0.48			CR 58	
	141.094/142.094/148.094 HS / Opt 8 (ALU Refo KS/LS, Foam): clr / air / E270 (SS/SS) 3/4" IG											
	0.087	0.563	0.087					AIR	0.037(#3)	CL	P1-S	N,G,S
	U-Factor 0.30			SHGC (N / <1) 0.35 / 0.32				VT (N / <1) 0.54 / 0.48			CR 58	
626	141.094/142.094/148.094 HS / Opt 8 (ALU Refo KS/LS, Foam): E270 / arg / clr (SS/SS) 3/4" IG											
	0.087	0.563	0.087					ARG90	0.037(#2)	CL	P1-S	N,G,S
	U-Factor 0.27			SHGC (N / <1) 0.28 / 0.26				VT (N / <1) 0.54 / 0.48			CR 62	
	141.094/142.094/148.094 HS / Opt 8 (ALU Refo KS/LS, Foam): clr / arg / E270 (SS/SS) 3/4" IG											
	0.087	0.563	0.087					ARG90	0.037(#3)	CL	P1-S	N,G,S
	U-Factor 0.27			SHGC (N / <1) 0.36 / 0.32				VT (N / <1) 0.54 / 0.48			CR 62	
627	141.094/142.094/148.094 HS / Opt 8 (ALU Refo KS/LS, Foam): E270 / air / clr (DS/DS) 3/4" IG											
	0.118	0.500	0.118					AIR	0.037(#2)	CL	P1-S	N,G,S
	U-Factor 0.30			SHGC (N / <1) 0.29 / 0.26				VT (N / <1) 0.53 / 0.47			CR 57	
	141.094/142.094/148.094 HS / Opt 8 (ALU Refo KS/LS, Foam): clr / air / E270 (DS/DS) 3/4" IG											
	0.118	0.500	0.118					AIR	0.037(#3)	CL	P1-S	N,G,S
	U-Factor 0.30			SHGC (N / <1) 0.35 / 0.31				VT (N / <1) 0.53 / 0.47			CR 57	

NFRC 100/200/500 Summary Sheet
Windgate/Belmont/Hawthorne 2-Lite Slider

ID	Pane Thickness 1	Gap Width 1	Pane Thickness 2	Gap Width 2	Pane Thickness 3	Gap Width 3	Pane Thickness 4	Gap Fill	Low-e (Surface#)	Tint	Spacer	Grid Type
	U-Factor			Solar Heat Gain Coefficient (SHGC) Grids (None / <1 / >=1)				Visible Transmittance (VT) Grids (None / <1 / >=1)			Condensation Resistance	
628	141.094/142.094/148.094 HS / Opt 8 (ALU Refo KS/LS, Foam): E270 / arg / clr (DS/DS) 3/4" IG											
	0.118	0.500	0.118					ARG90	0.037(#2)	CL	P1-S	N,G,S
	U-Factor 0.27			SHGC (N / <1) 0.28 / 0.25				VT (N / <1) 0.53 / 0.47			CR 61	
	141.094/142.094/148.094 HS / Opt 8 (ALU Refo KS/LS, Foam): clr / arg / E270 (DS/DS) 3/4" IG											
	0.118	0.500	0.118					ARG90	0.037(#3)	CL	P1-S	N,G,S
	U-Factor 0.27			SHGC (N / <1) 0.35 / 0.32				VT (N / <1) 0.53 / 0.47			CR 61	
629	141.094/142.094/148.094 HS / Opt 8 (ALU Refo KS/LS, Foam): lami / arg / E270 (DS 090 DS/DS) 3/4" IG											
	0.264	0.345	0.118					ARG90	0.037(#3)	CL	P1-S	N,S
	U-Factor 0.29			SHGC (N / <1) 0.33 / 0.30				VT (N / <1) 0.52 / 0.47			CR 59	
	141.094/142.094/148.094 HS / Opt 8 (ALU Refo KS/LS, Foam): E270 / arg / lami (DS/DS 090 DS) 3/4" IG											
	0.118	0.345	0.264					ARG90	0.037(#2)	CL	P1-S	N,S
	U-Factor 0.29			SHGC (N / <1) 0.28 / 0.25				VT (N / <1) 0.52 / 0.47			CR 59	
630	141.094/142.094/148.094 HS / Opt 8 (ALU Refo KS/LS, Foam): lami / arg / E270 (DS 090 DS/DS) 3/4" IG											
	0.264	0.345	0.118					ARG90	0.037(#3)	CL	P1-S	G,S
	U-Factor 0.30			SHGC (<1) 0.30				VT (<1) 0.47			CR 59	
	141.094/142.094/148.094 HS / Opt 8 (ALU Refo KS/LS, Foam): E270 / arg / lami (DS/DS 090 DS) 3/4" IG											
	0.118	0.345	0.264					ARG90	0.037(#2)	CL	P1-S	G,S
	U-Factor 0.30			SHGC (<1) 0.25				VT (<1) 0.47			CR 59	
631	141.094/142.094/148.094 HS / Opt 8 (ALU Refo KS/LS, Foam): E270 / arg / clr / arg / E270 (SS/SS/SS) 3/4" IG (P1-S)											
	0.087	0.250	0.087	0.250	0.087			ARG90	0.037(#2) / 0.037(#5)	CL	P1-S	N,S
	U-Factor 0.23			SHGC (N / <1) 0.24 / 0.22				VT (N / <1) 0.42 / 0.37			CR 67	
632	141.094/142.094/148.094 HS / Opt 8 (ALU Refo KS/LS, Foam): E270 / arg / clr / arg / E270 (SS/SS/SS) 3/4" IG (P1-S)											
	0.087	0.250	0.087	0.250	0.087			ARG90	0.037(#2) / 0.037(#5)	CL	P1-S	G,S
	U-Factor 0.24			SHGC (<1) 0.22				VT (<1) 0.37			CR 67	
633	141.094/142.094/148.094 HS / Opt 8 (ALU Refo KS/LS, Foam): E366 / air / clr (SS/SS) 3/4" IG											
	0.087	0.563	0.087					AIR	0.022(#2)	CL	P1-S	N,G,S
	U-Factor 0.30			SHGC (N / <1) 0.21 / 0.19				VT (N / <1) 0.50 / 0.44			CR 58	
	141.094/142.094/148.094 HS / Opt 8 (ALU Refo KS/LS, Foam): clr / air / E366 (SS/SS) 3/4" IG											
	0.087	0.563	0.087					AIR	0.022(#3)	CL	P1-S	N,G,S
	U-Factor 0.30			SHGC (N / <1) 0.30 / 0.27				VT (N / <1) 0.50 / 0.44			CR 58	

**NFRC 100/200/500 Summary Sheet
Windgate/Belmont/Hawthorne 2-Lite Slider**

ID	Pane Thickness 1	Gap Width 1	Pane Thickness 2	Gap Width 2	Pane Thickness 3	Gap Width 3	Pane Thickness 4	Gap Fill	Low-e (Surface#)	Tint	Spacer	Grid Type
	U-Factor			Solar Heat Gain Coefficient (SHGC) Grids (None / <1 / >=1)				Visible Transmittance (VT) Grids (None / <1 / >=1)			Condensation Resistance	
634	141.094/142.094/148.094 HS / Opt 8 (ALU Refo KS/LS, Foam): E366 / arg / clr (SS/SS) 3/4" IG											
	0.087	0.563	0.087					ARG90	0.022(#2)	CL	P1-S	N,G,S
	U-Factor 0.26			SHGC (N / <1) 0.21 / 0.19				VT (N / <1) 0.50 / 0.44			CR 62	
	141.094/142.094/148.094 HS / Opt 8 (ALU Refo KS/LS, Foam): clr / arg / E366 (SS/SS) 3/4" IG											
	0.087	0.563	0.087					ARG90	0.022(#3)	CL	P1-S	N,G,S
	U-Factor 0.26			SHGC (N / <1) 0.30 / 0.27				VT (N / <1) 0.50 / 0.44			CR 62	
635	141.094/142.094/148.094 HS / Opt 8 (ALU Refo KS/LS, Foam): E366 / air / clr (DS/DS) 3/4" IG											
	0.117	0.500	0.118					AIR	0.022(#2)	CL	P1-S	N,G,S
	U-Factor 0.30			SHGC (N / <1) 0.21 / 0.19				VT (N / <1) 0.49 / 0.44			CR 58	
	141.094/142.094/148.094 HS / Opt 8 (ALU Refo KS/LS, Foam): clr / air / E366 (DS/DS) 3/4" IG											
	0.118	0.500	0.117					AIR	0.022(#3)	CL	P1-S	N,G,S
	U-Factor 0.30			SHGC (N / <1) 0.29 / 0.27				VT (N / <1) 0.49 / 0.44			CR 58	
636	141.094/142.094/148.094 HS / Opt 8 (ALU Refo KS/LS, Foam): E366 / arg / clr (DS/DS) 3/4" IG											
	0.117	0.500	0.118					ARG90	0.022(#2)	CL	P1-S	N,G,S
	U-Factor 0.26			SHGC (N / <1) 0.21 / 0.19				VT (N / <1) 0.49 / 0.44			CR 61	
	141.094/142.094/148.094 HS / Opt 8 (ALU Refo KS/LS, Foam): clr / arg / E366 (DS/DS) 3/4" IG											
	0.118	0.500	0.117					ARG90	0.022(#3)	CL	P1-S	N,G,S
	U-Factor 0.26			SHGC (N / <1) 0.30 / 0.27				VT (N / <1) 0.49 / 0.44			CR 61	
637	141.094/142.094/148.094 HS / Opt 8 (ALU Refo KS/LS, Foam): lami / arg / E366 (DS 090 DS/DS) 3/4" IG											
	0.264	0.345	0.117					ARG90	0.022(#3)	CL	P1-S	N,S
	U-Factor 0.28			SHGC (N / <1) 0.29 / 0.26				VT (N / <1) 0.48 / 0.43			CR 59	
	141.094/142.094/148.094 HS / Opt 8 (ALU Refo KS/LS, Foam): E366 / arg / lami (DS/DS 090 DS) 3/4" IG											
	0.117	0.345	0.264					ARG90	0.022(#2)	CL	P1-S	N,S
	U-Factor 0.28			SHGC (N / <1) 0.21 / 0.19				VT (N / <1) 0.48 / 0.43			CR 59	
638	141.094/142.094/148.094 HS / Opt 8 (ALU Refo KS/LS, Foam): lami / arg / E366 (DS 090 DS/DS) 3/4" IG											
	0.264	0.345	0.117					ARG90	0.022(#3)	CL	P1-S	G,S
	U-Factor 0.30			SHGC (<1) 0.26				VT (<1) 0.43			CR 59	
	141.094/142.094/148.094 HS / Opt 8 (ALU Refo KS/LS, Foam): E366 / arg / lami (DS/DS 090 DS) 3/4" IG											
	0.117	0.345	0.264					ARG90	0.022(#2)	CL	P1-S	G,S
	U-Factor 0.30			SHGC (<1) 0.19				VT (<1) 0.43			CR 59	

NFRC 100/200/500 Summary Sheet
Windgate/Belmont/Hawthorne 2-Lite Slider

ID	Pane Thickness 1	Gap Width 1	Pane Thickness 2	Gap Width 2	Pane Thickness 3	Gap Width 3	Pane Thickness 4	Gap Fill	Low-e (Surface#)	Tint	Spacer	Grid Type
	U-Factor			Solar Heat Gain Coefficient (SHGC) Grids (None / <1 / >=1)				Visible Transmittance (VT) Grids (None / <1 / >=1)			Condensation Resistance	
639	141.094/142.094/148.094 HS / Opt 8 (ALU Refo KS/LS, Foam): E366 / arg / clr / arg / E366 (SS/SS/SS) 3/4" IG (P1-S)											
	0.087	0.250	0.087	0.250	0.087			ARG90	0.022(#2) / 0.022(#5)	CL	P1-S	N,S
	U-Factor 0.23			SHGC (N / <1) 0.19 / 0.17				VT (N / <1) 0.36 / 0.32			CR 67	
640	141.094/142.094/148.094 HS / Opt 8 (ALU Refo KS/LS, Foam): E366 / arg / clr / arg / E366 (SS/SS/SS) 3/4" IG (P1-S)											
	0.087	0.250	0.087	0.250	0.087			ARG90	0.022(#2) / 0.022(#5)	CL	P1-S	G,S
	U-Factor 0.24			SHGC (<1) 0.17				VT (<1) 0.32			CR 67	
641	141.094/142.094/148.094 HS / Opt 8 (ALU Refo KS/LS, Foam): 70/36 / air / clr (SS/SS) 3/4" IG											
	0.090	0.563	0.090					AIR	0.036(#2)	CL	P1-S	N,G,S
	U-Factor 0.30			SHGC (N / <1) 0.30 / 0.27				VT (N / <1) 0.54 / 0.48			CR 58	
	141.094/142.094/148.094 HS / Opt 8 (ALU Refo KS/LS, Foam): clr / air / 70/36 (SS/SS) 3/4" IG											
	0.090	0.563	0.090					AIR	0.036(#3)	CL	P1-S	N,G,S
	U-Factor 0.30			SHGC (N / <1) 0.37 / 0.33				VT (N / <1) 0.54 / 0.48			CR 58	
642	141.094/142.094/148.094 HS / Opt 8 (ALU Refo KS/LS, Foam): 70/36 / arg / clr (SS/SS) 3/4" IG											
	0.090	0.563	0.090					ARG90	0.036(#2)	CL	P1-S	N,G,S
	U-Factor 0.27			SHGC (N / <1) 0.30 / 0.27				VT (N / <1) 0.54 / 0.48			CR 62	
	141.094/142.094/148.094 HS / Opt 8 (ALU Refo KS/LS, Foam): clr / arg / 70/36 (SS/SS) 3/4" IG											
	0.090	0.563	0.090					ARG90	0.036(#3)	CL	P1-S	N,G,S
	U-Factor 0.27			SHGC (N / <1) 0.38 / 0.34				VT (N / <1) 0.54 / 0.48			CR 62	
643	141.094/142.094/148.094 HS / Opt 8 (ALU Refo KS/LS, Foam): 70/36 / air / clr (DS/DS) 3/4" IG											
	0.117	0.500	0.117					AIR	0.036(#2)	CL	P1-S	N,G,S
	U-Factor 0.30			SHGC (N / <1) 0.30 / 0.27				VT (N / <1) 0.53 / 0.47			CR 57	
	141.094/142.094/148.094 HS / Opt 8 (ALU Refo KS/LS, Foam): clr / air / 70/36 (DS/DS) 3/4" IG											
	0.117	0.500	0.117					AIR	0.036(#3)	CL	P1-S	N,G,S
	U-Factor 0.30			SHGC (N / <1) 0.37 / 0.33				VT (N / <1) 0.53 / 0.47			CR 57	
644	141.094/142.094/148.094 HS / Opt 8 (ALU Refo KS/LS, Foam): 70/36 / arg / clr (DS/DS) 3/4" IG											
	0.117	0.500	0.117					ARG90	0.036(#2)	CL	P1-S	N,G,S
	U-Factor 0.27			SHGC (N / <1) 0.29 / 0.27				VT (N / <1) 0.53 / 0.47			CR 61	
	141.094/142.094/148.094 HS / Opt 8 (ALU Refo KS/LS, Foam): clr / arg / 70/36 (DS/DS) 3/4" IG											
	0.117	0.500	0.117					ARG90	0.036(#3)	CL	P1-S	N,G,S
	U-Factor 0.27			SHGC (N / <1) 0.37 / 0.33				VT (N / <1) 0.53 / 0.47			CR 61	

NFRC 100/200/500 Summary Sheet
Windgate/Belmont/Hawthorne 2-Lite Slider

ID	Pane Thickness 1	Gap Width 1	Pane Thickness 2	Gap Width 2	Pane Thickness 3	Gap Width 3	Pane Thickness 4	Gap Fill	Low-e (Surface#)	Tint	Spacer	Grid Type
	U-Factor			Solar Heat Gain Coefficient (SHGC) Grids (None / <1 / >=1)				Visible Transmittance (VT) Grids (None / <1 / >=1)			Condensation Resistance	
645	141.094/142.094/148.094 HS / Opt 8 (ALU Refo KS/LS, Foam): lami / arg / 70/36 (DS 090 DS/DS) 3/4" IG											
	0.264	0.345	0.117					ARG90	0.036(#3)	CL	P1-S	N,S
	U-Factor 0.29			SHGC (N / <1) 0.35 / 0.32				VT (N / <1) 0.52 / 0.47			CR 59	
	141.094/142.094/148.094 HS / Opt 8 (ALU Refo KS/LS, Foam): 70/36 / arg / lami (DS/DS 090)DS 3/4" IG											
	0.117	0.345	0.264					ARG90	0.036(#2)	CL	P1-S	N,S
	U-Factor 0.29			SHGC (N / <1) 0.29 / 0.26				VT (N / <1) 0.52 / 0.47			CR 59	
646	141.094/142.094/148.094 HS / Opt 8 (ALU Refo KS/LS, Foam): lami / arg / 70/36 (DS 090 DS/DS) 3/4" IG											
	0.264	0.345	0.117					ARG90	0.036(#3)	CL	P1-S	G,S
	U-Factor 0.30			SHGC (<1) 0.32				VT (<1) 0.47			CR 59	
	141.094/142.094/148.094 HS / Opt 8 (ALU Refo KS/LS, Foam): 70/36 / arg / lami (DS/DS 090)DS 3/4" IG											
	0.117	0.345	0.264					ARG90	0.036(#2)	CL	P1-S	G,S
	U-Factor 0.30			SHGC (<1) 0.26				VT (<1) 0.47			CR 59	
647	141.094/142.094/148.094 HS / Opt 8 (ALU Refo KS/LS, Foam): 70/36 / arg / clr / arg / 70/36 (SS/SS/SS) 3/4" IG											
	0.090	0.250	0.090	0.250	0.090			ARG90	0.036(#2) / 0.036(#5)	CL	P1-S	N,S
	U-Factor 0.23			SHGC (N / <1) 0.26 / 0.23				VT (N / <1) 0.42 / 0.37			CR 67	
648	141.094/142.094/148.094 HS / Opt 8 (ALU Refo KS/LS, Foam): 70/36 / arg / clr / arg / 70/36 (SS/SS/SS) 3/4" IG											
	0.090	0.250	0.090	0.250	0.090			ARG90	0.036(#2) / 0.036(#5)	CL	P1-S	G,S
	U-Factor 0.24			SHGC (<1) 0.23				VT (<1) 0.37			CR 67	
649	141.094/142.094/148.094 HS / Opt 8 (ALU Refo KS/LS, Foam): 80/70 / air / clr (SS/SS) 3/4" IG											
	0.090	0.563	0.090					AIR	0.095(#2)	CL	P1-S	N,G,S
	U-Factor 0.32			SHGC (N / <1) 0.51 / 0.46				VT (N / <1) 0.62 / 0.55			CR 57	
	141.094/142.094/148.094 HS / Opt 8 (ALU Refo KS/LS, Foam): clr / air / 80/70 (SS/SS) 3/4" IG											
	0.090	0.563	0.090					AIR	0.095(#3)	CL	P1-S	N,G,S
	U-Factor 0.32			SHGC (N / <1) 0.54 / 0.49				VT (N / <1) 0.62 / 0.55			CR 57	
650	141.094/142.094/148.094 HS / Opt 8 (ALU Refo KS/LS, Foam): 80/70 / arg / clr (SS/SS) 3/4" IG											
	0.090	0.563	0.090					ARG90	0.095(#2)	CL	P1-S	N,G,S
	U-Factor 0.29			SHGC (N / <1) 0.51 / 0.46				VT (N / <1) 0.62 / 0.55			CR 60	
	141.094/142.094/148.094 HS / Opt 8 (ALU Refo KS/LS, Foam): clr / arg / 80/70 (SS/SS) 3/4" IG											
	0.090	0.563	0.090					ARG90	0.095(#3)	CL	P1-S	N,G,S
	U-Factor 0.29			SHGC (N / <1) 0.54 / 0.49				VT (N / <1) 0.62 / 0.55			CR 60	

NFRC 100/200/500 Summary Sheet
Windgate/Belmont/Hawthorne 2-Lite Slider

ID	Pane Thickness 1	Gap Width 1	Pane Thickness 2	Gap Width 2	Pane Thickness 3	Gap Width 3	Pane Thickness 4	Gap Fill	Low-e (Surface#)	Tint	Spacer	Grid Type
	U-Factor			Solar Heat Gain Coefficient (SHGC) Grids (None / <1 / >=1)				Visible Transmittance (VT) Grids (None / <1 / >=1)			Condensation Resistance	
651	141.094/142.094/148.094 HS / Opt 8 (ALU Refo KS/LS, Foam): 80/70 / air / clr (DS/DS) 3/4" IG											
	0.117	0.500	0.117					AIR	0.095(#2)	CL	P1-S	N,G,S
	U-Factor 0.32			SHGC (N / <1) 0.51 / 0.45				VT (N / <1) 0.61 / 0.55			CR 56	
	141.094/142.094/148.094 HS / Opt 8 (ALU Refo KS/LS, Foam): clr / air / 80/70 (DS/DS) 3/4" IG											
	0.117	0.500	0.117					AIR	0.095(#3)	CL	P1-S	N,G,S
	U-Factor 0.32			SHGC (N / <1) 0.53 / 0.48				VT (N / <1) 0.61 / 0.55			CR 56	
652	141.094/142.094/148.094 HS / Opt 8 (ALU Refo KS/LS, Foam): 80/70 / arg / clr (DS/DS) 3/4" IG											
	0.117	0.500	0.117					ARG90	0.095(#2)	CL	P1-S	N,G,S
	U-Factor 0.28			SHGC (N / <1) 0.51 / 0.45				VT (N / <1) 0.61 / 0.55			CR 59	
	141.094/142.094/148.094 HS / Opt 8 (ALU Refo KS/LS, Foam): clr / arg / 80/70 (DS/DS) 3/4" IG											
	0.117	0.500	0.117					ARG90	0.095(#3)	CL	P1-S	N,G,S
	U-Factor 0.28			SHGC (N / <1) 0.54 / 0.48				VT (N / <1) 0.61 / 0.55			CR 59	
653	141.094/142.094/148.094 HS / Opt 8 (ALU Refo KS/LS, Foam): lami / arg / 80/70 (DS 090 DS/DS) 3/4" IG											
	0.264	0.345	0.117					ARG90	0.095(#3)	CL	P1-S	N,S
	U-Factor 0.30			SHGC (N / <1) 0.49 / 0.44				VT (N / <1) 0.60 / 0.54			CR 57	
	141.094/142.094/148.094 HS / Opt 8 (ALU Refo KS/LS, Foam): 80/70 / arg / lami (DS/DS 090 DS) 3/4" IG											
	0.117	0.345	0.264					ARG90	0.095(#2)	CL	P1-S	N,S
	U-Factor 0.30			SHGC (N / <1) 0.50 / 0.45				VT (N / <1) 0.60 / 0.54			CR 57	
654	141.094/142.094/148.094 HS / Opt 8 (ALU Refo KS/LS, Foam): lami / arg / 80/70 (DS 090 DS/DS) 3/4" IG											
	0.264	0.345	0.117					ARG90	0.095(#3)	CL	P1-S	G,S
	U-Factor 0.32			SHGC (<1) 0.44				VT (<1) 0.54			CR 57	
	141.094/142.094/148.094 HS / Opt 8 (ALU Refo KS/LS, Foam): 80/70 / arg / lami (DS/DS 090 DS) 3/4" IG											
	0.117	0.345	0.264					ARG90	0.095(#2)	CL	P1-S	G,S
	U-Factor 0.32			SHGC (<1) 0.45				VT (<1) 0.54			CR 57	
655	141.094/142.094/148.094 HS / Opt 8 (ALU Refo KS/LS, Foam): 80/70 / arg / clr / arg / 80/70 (SS/SS/SS) 3/4" IG											
	0.090	0.250	0.090	0.250	0.090			ARG90	0.095(#2) / 0.095(#5)	CL	P1-S	N,S
	U-Factor 0.24			SHGC (N / <1) 0.45 / 0.41				VT (N / <1) 0.56 / 0.50			CR 66	
656	141.094/142.094/148.094 HS / Opt 8 (ALU Refo KS/LS, Foam): 80/70 / arg / clr / arg / 80/70 (SS/SS/SS) 3/4" IG											
	0.090	0.250	0.090	0.250	0.090			ARG90	0.095(#2) / 0.095(#5)	CL	P1-S	G,S
	U-Factor 0.25			SHGC (<1) 0.41				VT (<1) 0.50			CR 66	

NFRC 100/200/500 Summary Sheet
Windgate/Belmont/Hawthorne 2-Lite Slider

ID	Pane Thickness 1	Gap Width 1	Pane Thickness 2	Gap Width 2	Pane Thickness 3	Gap Width 3	Pane Thickness 4	Gap Fill	Low-e (Surface#)	Tint	Spacer	Grid Type
	U-Factor			Solar Heat Gain Coefficient (SHGC) Grids (None / <1 / >=1)				Visible Transmittance (VT) Grids (None / <1 / >=1)			Condensation Resistance	
657	141.094/142.094/148.094 HS / Opt 8 (ALU Refo KS/LS, Foam): clr / air / clr (SS/SS) 3/4" IG											
	0.087	0.563	0.087					AIR		CL	SS-D	N,G,S
	U-Factor 0.45			SHGC (N / <1) 0.61 / 0.54				VT (N / <1) 0.63 / 0.56			CR 44	
658	141.094/142.094/148.094 HS / Opt 8 (ALU Refo KS/LS, Foam): clr / air / clr (DS/DS) 3/4" IG											
	0.118	0.500	0.118					AIR		CL	SS-D	N,G,S
	U-Factor 0.45			SHGC (N / <1) 0.59 / 0.53				VT (N / <1) 0.62 / 0.56			CR 43	
659	141.094/142.094/148.094 HS / Opt 8 (ALU Refo KS/LS, Foam): clr / air / clr (5mm/DS) 3/4" IG											
	0.185	0.438	0.118					AIR		CL	SS-D	N,G,S
	U-Factor 0.45			SHGC (N / <1) 0.57 / 0.51				VT (N / <1) 0.62 / 0.55			CR 43	
660	141.094/142.094/148.094 HS / Opt 8 (ALU Refo KS/LS, Foam): clr / air / clr (5mm/DS) 3/4" IG											
	0.185	0.438	0.118					AIR		CL	SS-D	G
	U-Factor 0.45			SHGC (<1) 0.51				VT (<1) 0.55			CR 43	
661	141.094/142.094/148.094 HS / Opt 8 (ALU Refo KS/LS, Foam): lami / air / clr (DS 090 DS/DS) 3/4" IG											
	0.264	0.345	0.118					AIR		CL	SS-D	N,S
	U-Factor 0.46			SHGC (N / <1) 0.55 / 0.49				VT (N / <1) 0.61 / 0.55			CR 42	
662	141.094/142.094/148.094 HS / Opt 8 (ALU Refo KS/LS, Foam): clr / air / lami (DS/DS 090 DS) 3/4" IG											
	0.118	0.345	0.264					AIR		CL	SS-D	N,S
	U-Factor 0.46			SHGC (N / <1) 0.57 / 0.51				VT (N / <1) 0.61 / 0.55			CR 42	
662	141.094/142.094/148.094 HS / Opt 8 (ALU Refo KS/LS, Foam): lami / air / clr (DS 090 DS/DS) 3/4" IG											
	0.264	0.345	0.118					AIR		CL	SS-D	G,S
	U-Factor 0.47			SHGC (<1) 0.49				VT (<1) 0.55			CR 42	
663	141.094/142.094/148.094 HS / Opt 8 (ALU Refo KS/LS, Foam): clr / air / lami (DS/DS 090 DS) 3/4" IG											
	0.118	0.345	0.264					AIR		CL	SS-D	G,S
	U-Factor 0.47			SHGC (<1) 0.51				VT (<1) 0.55			CR 42	
663	141.094/142.094/148.094 HS / Opt 8 (ALU Refo KS/LS, Foam): clr / air / clr / air / clr (SS/SS/SS) 3/4" IG (P1-S)											
	0.087	0.250	0.087	0.250	0.087			AIR		CL	SS-D	N,S
	U-Factor 0.37			SHGC (N / <1) 0.55 / 0.49				VT (N / <1) 0.58 / 0.52			CR 52	
664	141.094/142.094/148.094 HS / Opt 8 (ALU Refo KS/LS, Foam): clr / air / clr / air / clr (SS/SS/SS) 3/4" IG (P1-S)											
	0.087	0.250	0.087	0.250	0.087			AIR		CL	SS-D	G,S
	U-Factor 0.38			SHGC (<1) 0.49				VT (<1) 0.52			CR 52	

NFRC 100/200/500 Summary Sheet
Windgate/Belmont/Hawthorne 2-Lite Slider

ID	Pane Thickness 1	Gap Width 1	Pane Thickness 2	Gap Width 2	Pane Thickness 3	Gap Width 3	Pane Thickness 4	Gap Fill	Low-e (Surface#)	Tint	Spacer	Grid Type
	U-Factor			Solar Heat Gain Coefficient (SHGC) Grids (None / <1 / >=1)				Visible Transmittance (VT) Grids (None / <1 / >=1)			Condensation Resistance	
665	141.094/142.094/148.094 HS / Opt 8 (ALU Refo KS/LS, Foam): E270 / air / clr (SS/SS) 3/4" IG											
	0.087	0.563	0.087					AIR	0.037(#2)	CL	SS-D	N,G,S
	U-Factor 0.31			SHGC (N / <1) 0.29 / 0.26				VT (N / <1) 0.54 / 0.48			CR 55	
	141.094/142.094/148.094 HS / Opt 8 (ALU Refo KS/LS, Foam): clr / air / E270 (SS/SS) 3/4" IG											
	0.087	0.563	0.087					AIR	0.037(#3)	CL	SS-D	N,G,S
	U-Factor 0.31			SHGC (N / <1) 0.35 / 0.32				VT (N / <1) 0.54 / 0.48			CR 55	
666	141.094/142.094/148.094 HS / Opt 8 (ALU Refo KS/LS, Foam): E270 / arg / clr (SS/SS) 3/4" IG											
	0.087	0.563	0.087					ARG90	0.037(#2)	CL	SS-D	N,G,S
	U-Factor 0.28			SHGC (N / <1) 0.28 / 0.26				VT (N / <1) 0.54 / 0.48			CR 59	
	141.094/142.094/148.094 HS / Opt 8 (ALU Refo KS/LS, Foam): clr / arg / E270 (SS/SS) 3/4" IG											
	0.087	0.563	0.087					ARG90	0.037(#3)	CL	SS-D	N,G,S
	U-Factor 0.28			SHGC (N / <1) 0.36 / 0.32				VT (N / <1) 0.54 / 0.48			CR 59	
667	141.094/142.094/148.094 HS / Opt 8 (ALU Refo KS/LS, Foam): E270 / air / clr (DS/DS) 3/4" IG											
	0.118	0.500	0.118					AIR	0.037(#2)	CL	SS-D	N,G,S
	U-Factor 0.31			SHGC (N / <1) 0.29 / 0.26				VT (N / <1) 0.53 / 0.47			CR 55	
	141.094/142.094/148.094 HS / Opt 8 (ALU Refo KS/LS, Foam): clr / air / E270 (DS/DS) 3/4" IG											
	0.118	0.500	0.118					AIR	0.037(#3)	CL	SS-D	N,G,S
	U-Factor 0.31			SHGC (N / <1) 0.35 / 0.31				VT (N / <1) 0.53 / 0.47			CR 55	
668	141.094/142.094/148.094 HS / Opt 8 (ALU Refo KS/LS, Foam): E270 / arg / clr (DS/DS) 3/4" IG											
	0.118	0.500	0.118					ARG90	0.037(#2)	CL	SS-D	N,G,S
	U-Factor 0.28			SHGC (N / <1) 0.28 / 0.25				VT (N / <1) 0.53 / 0.47			CR 58	
	141.094/142.094/148.094 HS / Opt 8 (ALU Refo KS/LS, Foam): clr / arg / E270 (DS/DS) 3/4" IG											
	0.118	0.500	0.118					ARG90	0.037(#3)	CL	SS-D	N,G,S
	U-Factor 0.28			SHGC (N / <1) 0.35 / 0.32				VT (N / <1) 0.53 / 0.47			CR 58	
669	141.094/142.094/148.094 HS / Opt 8 (ALU Refo KS/LS, Foam): lami / arg / E270 (DS 090 DS/DS) 3/4" IG											
	0.264	0.345	0.118					ARG90	0.037(#3)	CL	SS-D	N,S
	U-Factor 0.29			SHGC (N / <1) 0.33 / 0.30				VT (N / <1) 0.52 / 0.47			CR 56	
	141.094/142.094/148.094 HS / Opt 8 (ALU Refo KS/LS, Foam): E270 / arg / lami (DS/DS 090 DS) 3/4" IG											
	0.118	0.345	0.264					ARG90	0.037(#2)	CL	SS-D	N,S
	U-Factor 0.29			SHGC (N / <1) 0.28 / 0.25				VT (N / <1) 0.52 / 0.47			CR 56	

NFRC 100/200/500 Summary Sheet
Windgate/Belmont/Hawthorne 2-Lite Slider

ID	Pane Thickness 1	Gap Width 1	Pane Thickness 2	Gap Width 2	Pane Thickness 3	Gap Width 3	Pane Thickness 4	Gap Fill	Low-e (Surface#)	Tint	Spacer	Grid Type
	U-Factor			Solar Heat Gain Coefficient (SHGC) Grids (None / <1 / >=1)				Visible Transmittance (VT) Grids (None / <1 / >=1)			Condensation Resistance	
670	141.094/142.094/148.094 HS / Opt 8 (ALU Refo KS/LS, Foam): lami / arg / E270 (DS 090 DS/DS) 3/4" IG											
	0.264	0.345	0.118					ARG90	0.037(#3)	CL	SS-D	G,S
	U-Factor 0.31			SHGC (<1) 0.30				VT (<1) 0.47			CR 56	
	141.094/142.094/148.094 HS / Opt 8 (ALU Refo KS/LS, Foam): E270 / arg / lami (DS/DS 090 DS) 3/4" IG											
	0.118	0.345	0.264					ARG90	0.037(#2)	CL	SS-D	G,S
	U-Factor 0.31			SHGC (<1) 0.25				VT (<1) 0.47			CR 56	
671	141.094/142.094/148.094 HS / Opt 8 (ALU Refo KS/LS, Foam): E270 / arg / clr / arg / E270 (SS/SS/SS) 3/4" IG (SS-D)											
	0.087	0.266	0.087	0.266	0.087			ARG90	0.037(#2) / 0.037(#5)	CL	SS-D	N,S
	U-Factor 0.23			SHGC (N / <1) 0.24 / 0.22				VT (N / <1) 0.42 / 0.37			CR 65	
672	141.094/142.094/148.094 HS / Opt 8 (ALU Refo KS/LS, Foam): E270 / arg / clr / arg / E270 (SS/SS/SS) 3/4" IG (SS-D)											
	0.087	0.266	0.087	0.266	0.087			ARG90	0.037(#2) / 0.037(#5)	CL	SS-D	G,S
	U-Factor 0.24			SHGC (<1) 0.22				VT (<1) 0.37			CR 65	
673	141.094/142.094/148.094 HS / Opt 8 (ALU Refo KS/LS, Foam): E366 / air / clr (SS/SS) 3/4" IG											
	0.087	0.563	0.087					AIR	0.022(#2)	CL	SS-D	N,G,S
	U-Factor 0.31			SHGC (N / <1) 0.21 / 0.19				VT (N / <1) 0.50 / 0.44			CR 56	
	141.094/142.094/148.094 HS / Opt 8 (ALU Refo KS/LS, Foam): clr / air / E366 (SS/SS) 3/4" IG											
	0.087	0.563	0.087					AIR	0.022(#3)	CL	SS-D	N,G,S
	U-Factor 0.31			SHGC (N / <1) 0.30 / 0.27				VT (N / <1) 0.50 / 0.44			CR 56	
674	141.094/142.094/148.094 HS / Opt 8 (ALU Refo KS/LS, Foam): E366 / arg / clr (SS/SS) 3/4" IG											
	0.087	0.563	0.087					ARG90	0.022(#2)	CL	SS-D	N,G,S
	U-Factor 0.27			SHGC (N / <1) 0.21 / 0.19				VT (N / <1) 0.50 / 0.44			CR 59	
	141.094/142.094/148.094 HS / Opt 8 (ALU Refo KS/LS, Foam): clr / arg / E366 (SS/SS) 3/4" IG											
	0.087	0.563	0.087					ARG90	0.022(#3)	CL	SS-D	N,G,S
	U-Factor 0.27			SHGC (N / <1) 0.30 / 0.27				VT (N / <1) 0.50 / 0.44			CR 59	
675	141.094/142.094/148.094 HS / Opt 8 (ALU Refo KS/LS, Foam): E366 / air / clr (DS/DS) 3/4" IG											
	0.117	0.500	0.118					AIR	0.022(#2)	CL	SS-D	N,G,S
	U-Factor 0.31			SHGC (N / <1) 0.21 / 0.19				VT (N / <1) 0.49 / 0.44			CR 55	
	141.094/142.094/148.094 HS / Opt 8 (ALU Refo KS/LS, Foam): clr / air / E366 (DS/DS) 3/4" IG											
	0.118	0.500	0.117					AIR	0.022(#3)	CL	SS-D	N,G,S
	U-Factor 0.31			SHGC (N / <1) 0.29 / 0.27				VT (N / <1) 0.49 / 0.44			CR 55	

NFRC 100/200/500 Summary Sheet
Windgate/Belmont/Hawthorne 2-Lite Slider

ID	Pane Thickness 1	Gap Width 1	Pane Thickness 2	Gap Width 2	Pane Thickness 3	Gap Width 3	Pane Thickness 4	Gap Fill	Low-e (Surface#)	Tint	Spacer	Grid Type
	U-Factor			Solar Heat Gain Coefficient (SHGC) Grids (None / <1 / >=1)				Visible Transmittance (VT) Grids (None / <1 / >=1)			Condensation Resistance	
676	141.094/142.094/148.094 HS / Opt 8 (ALU Refo KS/LS, Foam): E366 / arg / clr (DS/DS) 3/4" IG											
	0.117	0.500	0.118					ARG90	0.022(#2)	CL	SS-D	N,G,S
	U-Factor 0.27			SHGC (N / <1) 0.21 / 0.19				VT (N / <1) 0.49 / 0.44			CR 58	
	141.094/142.094/148.094 HS / Opt 8 (ALU Refo KS/LS, Foam): clr / arg / E366 (DS/DS) 3/4" IG											
	0.118	0.500	0.117					ARG90	0.022(#3)	CL	SS-D	N,G,S
	U-Factor 0.27			SHGC (N / <1) 0.30 / 0.27				VT (N / <1) 0.49 / 0.44			CR 58	
677	141.094/142.094/148.094 HS / Opt 8 (ALU Refo KS/LS, Foam): lami / arg / E366 (DS 090 DS/DS) 3/4" IG											
	0.264	0.345	0.117					ARG90	0.022(#3)	CL	SS-D	N,S
	U-Factor 0.29			SHGC (N / <1) 0.29 / 0.26				VT (N / <1) 0.48 / 0.43			CR 56	
	141.094/142.094/148.094 HS / Opt 8 (ALU Refo KS/LS, Foam): E366 / arg / lami (DS/DS 090 DS) 3/4" IG											
	0.117	0.345	0.264					ARG90	0.022(#2)	CL	SS-D	N,S
	U-Factor 0.29			SHGC (N / <1) 0.21 / 0.19				VT (N / <1) 0.48 / 0.43			CR 56	
678	141.094/142.094/148.094 HS / Opt 8 (ALU Refo KS/LS, Foam): lami / arg / E366 (DS 090 DS/DS) 3/4" IG											
	0.264	0.345	0.117					ARG90	0.022(#3)	CL	SS-D	G,S
	U-Factor 0.30			SHGC (<1) 0.26				VT (<1) 0.43			CR 56	
	141.094/142.094/148.094 HS / Opt 8 (ALU Refo KS/LS, Foam): E366 / arg / lami (DS/DS 090 DS) 3/4" IG											
	0.117	0.345	0.264					ARG90	0.022(#2)	CL	SS-D	G,S
	U-Factor 0.30			SHGC (<1) 0.19				VT (<1) 0.43			CR 56	
679	141.094/142.094/148.094 HS / Opt 8 (ALU Refo KS/LS, Foam): E366 / arg / clr / arg / E366 (SS/SS/SS) 3/4" IG (SS-D)											
	0.087	0.266	0.087	0.266	0.087			ARG90	0.022(#2) / 0.022(#5)	CL	SS-D	N,S
	U-Factor 0.23			SHGC (N / <1) 0.19 / 0.17				VT (N / <1) 0.36 / 0.32			CR 65	
680	141.094/142.094/148.094 HS / Opt 8 (ALU Refo KS/LS, Foam): E366 / arg / clr / arg / E366 (SS/SS/SS) 3/4" IG (SS-D)											
	0.087	0.266	0.087	0.266	0.087			ARG90	0.022(#2) / 0.022(#5)	CL	SS-D	G,S
	U-Factor 0.24			SHGC (<1) 0.17				VT (<1) 0.32			CR 65	
681	141.094/142.094/148.094 HS / Opt 8 (ALU Refo KS/LS, Foam): clr / air / clr (SS/SS) 3/4" IG											
	0.087	0.563	0.087					AIR		CL	TS-D	N,G,S
	U-Factor 0.45			SHGC (N / <1) 0.61 / 0.54				VT (N / <1) 0.63 / 0.56			CR 43	
682	141.094/142.094/148.094 HS / Opt 8 (ALU Refo KS/LS, Foam): clr / air / clr (DS/DS) 3/4" IG											
	0.118	0.500	0.118					AIR		CL	TS-D	N,G,S
	U-Factor 0.45			SHGC (N / <1) 0.59 / 0.53				VT (N / <1) 0.62 / 0.56			CR 43	

NFRC 100/200/500 Summary Sheet
Windgate/Belmont/Hawthorne 2-Lite Slider

ID	Pane Thickness 1	Gap Width 1	Pane Thickness 2	Gap Width 2	Pane Thickness 3	Gap Width 3	Pane Thickness 4	Gap Fill	Low-e (Surface#)	Tint	Spacer	Grid Type
	U-Factor			Solar Heat Gain Coefficient (SHGC) Grids (None / <1 / >=1)				Visible Transmittance (VT) Grids (None / <1 / >=1)			Condensation Resistance	
683	141.094/142.094/148.094 HS / Opt 8 (ALU Refo KS/LS, Foam): clr / air / clr (5mm/DS) 3/4" IG											
	0.185	0.438	0.118					AIR		CL	TS-D	N,G,S
	U-Factor 0.45			SHGC (N / <1) 0.57 / 0.51				VT (N / <1) 0.62 / 0.55			CR 42	
684	141.094/142.094/148.094 HS / Opt 8 (ALU Refo KS/LS, Foam): clr / air / clr (5mm/DS) 3/4" IG											
	0.185	0.438	0.118					AIR		CL	TS-D	G
	U-Factor 0.46			SHGC (<1) 0.51				VT (<1) 0.55			CR 42	
685	141.094/142.094/148.094 HS / Opt 8 (ALU Refo KS/LS, Foam): lami / air / clr (DS 090 DS/DS) 3/4" IG											
	0.264	0.345	0.118					AIR		CL	TS-D	N,S
	U-Factor 0.46			SHGC (N / <1) 0.55 / 0.49				VT (N / <1) 0.61 / 0.55			CR 42	
	141.094/142.094/148.094 HS / Opt 8 (ALU Refo KS/LS, Foam): clr / air / lami (DS/DS 090 DS) 3/4" IG											
	0.118	0.345	0.264					AIR		CL	TS-D	N,S
	U-Factor 0.46			SHGC (N / <1) 0.57 / 0.51				VT (N / <1) 0.61 / 0.55			CR 42	
686	141.094/142.094/148.094 HS / Opt 8 (ALU Refo KS/LS, Foam): lami / air / clr (DS 090 DS/DS) 3/4" IG											
	0.264	0.345	0.118					AIR		CL	TS-D	G,S
	U-Factor 0.47			SHGC (<1) 0.49				VT (<1) 0.55			CR 42	
	141.094/142.094/148.094 HS / Opt 8 (ALU Refo KS/LS, Foam): clr / air / lami (DS/DS 090 DS) 3/4" IG											
	0.118	0.345	0.264					AIR		CL	TS-D	G,S
	U-Factor 0.47			SHGC (<1) 0.51				VT (<1) 0.55			CR 42	
687	141.094/142.094/148.094 HS / Opt 8 (ALU Refo KS/LS, Foam): clr / air / clr / air / clr (SS/SS/SS) 3/4" IG (P1-S)											
	0.087	0.250	0.087	0.250	0.087			AIR		CL	TS-D	N,S
	U-Factor 0.37			SHGC (N / <1) 0.55 / 0.49				VT (N / <1) 0.58 / 0.52			CR 50	
688	141.094/142.094/148.094 HS / Opt 8 (ALU Refo KS/LS, Foam): clr / air / clr / air / clr (SS/SS/SS) 3/4" IG (P1-S)											
	0.087	0.250	0.087	0.250	0.087			AIR		CL	TS-D	G,S
	U-Factor 0.38			SHGC (<1) 0.49				VT (<1) 0.52			CR 50	
689	141.094/142.094/148.094 HS / Opt 8 (ALU Refo KS/LS, Foam): 70/36 / air / clr (SS/SS) 3/4" IG											
	0.090	0.563	0.090					AIR	0.036(#2)	CL	TS-D	N,G,S
	U-Factor 0.32			SHGC (N / <1) 0.30 / 0.27				VT (N / <1) 0.54 / 0.48			CR 54	
	141.094/142.094/148.094 HS / Opt 8 (ALU Refo KS/LS, Foam): clr / air / 70/36 (SS/SS) 3/4" IG											
	0.090	0.563	0.090					AIR	0.036(#3)	CL	TS-D	N,G,S
	U-Factor 0.32			SHGC (N / <1) 0.37 / 0.33				VT (N / <1) 0.54 / 0.48			CR 54	

NFRC 100/200/500 Summary Sheet
Windgate/Belmont/Hawthorne 2-Lite Slider

ID	Pane Thickness 1	Gap Width 1	Pane Thickness 2	Gap Width 2	Pane Thickness 3	Gap Width 3	Pane Thickness 4	Gap Fill	Low-e (Surface#)	Tint	Spacer	Grid Type
	U-Factor			Solar Heat Gain Coefficient (SHGC) Grids (None / <1 / >=1)				Visible Transmittance (VT) Grids (None / <1 / >=1)			Condensation Resistance	
690	141.094/142.094/148.094 HS / Opt 8 (ALU Refo KS/LS, Foam): 70/36 / arg / clr (SS/SS) 3/4" IG											
	0.090	0.563	0.090					ARG90	0.036(#2)	CL	TS-D	N,G,S
	U-Factor 0.28			SHGC (N / <1) 0.30 / 0.27				VT (N / <1) 0.54 / 0.48			CR 57	
	141.094/142.094/148.094 HS / Opt 8 (ALU Refo KS/LS, Foam): clr / arg / 70/36 (SS/SS) 3/4" IG											
	0.090	0.563	0.090					ARG90	0.036(#3)	CL	TS-D	N,G,S
	U-Factor 0.28			SHGC (N / <1) 0.38 / 0.34				VT (N / <1) 0.54 / 0.48			CR 57	
691	141.094/142.094/148.094 HS / Opt 8 (ALU Refo KS/LS, Foam): 70/36 / air / clr (DS/DS) 3/4" IG											
	0.117	0.500	0.117					AIR	0.036(#2)	CL	TS-D	N,G,S
	U-Factor 0.31			SHGC (N / <1) 0.30 / 0.27				VT (N / <1) 0.53 / 0.47			CR 53	
	141.094/142.094/148.094 HS / Opt 8 (ALU Refo KS/LS, Foam): clr / air / 70/36 (DS/DS) 3/4" IG											
	0.117	0.500	0.117					AIR	0.036(#3)	CL	TS-D	N,G,S
	U-Factor 0.31			SHGC (N / <1) 0.37 / 0.33				VT (N / <1) 0.53 / 0.47			CR 53	
692	141.094/142.094/148.094 HS / Opt 8 (ALU Refo KS/LS, Foam): 70/36 / arg / clr (DS/DS) 3/4" IG											
	0.117	0.500	0.117					ARG90	0.036(#2)	CL	TS-D	N,G,S
	U-Factor 0.28			SHGC (N / <1) 0.29 / 0.27				VT (N / <1) 0.53 / 0.47			CR 56	
	141.094/142.094/148.094 HS / Opt 8 (ALU Refo KS/LS, Foam): clr / arg / 70/36 (DS/DS) 3/4" IG											
	0.117	0.500	0.117					ARG90	0.036(#3)	CL	TS-D	N,G,S
	U-Factor 0.28			SHGC (N / <1) 0.37 / 0.33				VT (N / <1) 0.53 / 0.47			CR 56	
693	141.094/142.094/148.094 HS / Opt 8 (ALU Refo KS/LS, Foam): lami / arg / 70/36 (DS 090 DS/DS) 3/4" IG											
	0.264	0.345	0.117					ARG90	0.036(#3)	CL	TS-D	N,S
	U-Factor 0.30			SHGC (N / <1) 0.35 / 0.32				VT (N / <1) 0.52 / 0.47			CR 55	
	141.094/142.094/148.094 HS / Opt 8 (ALU Refo KS/LS, Foam): 70/36 / arg / lami (DS/DS 090 DS) 3/4" IG											
	0.117	0.345	0.264					ARG90	0.036(#2)	CL	TS-D	N,S
	U-Factor 0.30			SHGC (N / <1) 0.29 / 0.26				VT (N / <1) 0.52 / 0.47			CR 55	
694	141.094/142.094/148.094 HS / Opt 8 (ALU Refo KS/LS, Foam): lami / arg / 70/36 (DS 090 DS/DS) 3/4" IG											
	0.264	0.345	0.117					ARG90	0.036(#3)	CL	TS-D	G,S
	U-Factor 0.31			SHGC (<1) 0.32				VT (<1) 0.47			CR 55	
	141.094/142.094/148.094 HS / Opt 8 (ALU Refo KS/LS, Foam): 70/36 / arg / lami (DS/DS 090 DS) 3/4" IG											
	0.117	0.345	0.264					ARG90	0.036(#2)	CL	TS-D	G,S
	U-Factor 0.31			SHGC (<1) 0.26				VT (<1) 0.47			CR 55	

**NFRC 100/200/500 Summary Sheet
Windgate/Belmont/Hawthorne 2-Lite Slider**

ID	Pane Thickness 1	Gap Width 1	Pane Thickness 2	Gap Width 2	Pane Thickness 3	Gap Width 3	Pane Thickness 4	Gap Fill	Low-e (Surface#)	Tint	Spacer	Grid Type
	U-Factor			Solar Heat Gain Coefficient (SHGC) Grids (None / <1 / >=1)				Visible Transmittance (VT) Grids (None / <1 / >=1)			Condensation Resistance	
695	141.094/142.094/148.094 HS / Opt 8 (ALU Refo KS/LS, Foam): 70/36 / arg / clr / arg / 70/36 (SS/SS/SS) 3/4" IG											
	0.090	0.250	0.090	0.250	0.090			ARG90	0.036(#2) / 0.036(#5)	CL	TS-D	N,S
	U-Factor 0.24			SHGC (N / <1) 0.26 / 0.23				VT (N / <1) 0.42 / 0.37			CR 62	
696	141.094/142.094/148.094 HS / Opt 8 (ALU Refo KS/LS, Foam): 70/36 / arg / clr / arg / 70/36 (SS/SS/SS) 3/4" IG											
	0.090	0.250	0.090	0.250	0.090			ARG90	0.036(#2) / 0.036(#5)	CL	TS-D	G,S
	U-Factor 0.25			SHGC (<1) 0.23				VT (<1) 0.37			CR 62	
697	141.094/142.094/148.094 HS / Opt 8 (ALU Refo KS/LS, Foam): 80/70 / air / clr (SS/SS) 3/4" IG											
	0.090	0.563	0.090					AIR	0.095(#2)	CL	TS-D	N,G,S
	U-Factor 0.33			SHGC (N / <1) 0.51 / 0.46				VT (N / <1) 0.62 / 0.55			CR 53	
	141.094/142.094/148.094 HS / Opt 8 (ALU Refo KS/LS, Foam): clr / air / 80/70 (SS/SS) 3/4" IG											
	0.090	0.563	0.090					AIR	0.095(#3)	CL	TS-D	N,G,S
	U-Factor 0.33			SHGC (N / <1) 0.54 / 0.49				VT (N / <1) 0.62 / 0.55			CR 53	
698	141.094/142.094/148.094 HS / Opt 8 (ALU Refo KS/LS, Foam): 80/70 / arg / clr (SS/SS) 3/4" IG											
	0.090	0.563	0.090					ARG90	0.095(#2)	CL	TS-D	N,G,S
	U-Factor 0.30			SHGC (N / <1) 0.51 / 0.46				VT (N / <1) 0.62 / 0.55			CR 56	
	141.094/142.094/148.094 HS / Opt 8 (ALU Refo KS/LS, Foam): clr / arg / 80/70 (SS/SS) 3/4" IG											
	0.090	0.563	0.090					ARG90	0.095(#3)	CL	TS-D	N,G,S
	U-Factor 0.30			SHGC (N / <1) 0.54 / 0.49				VT (N / <1) 0.62 / 0.55			CR 56	
699	141.094/142.094/148.094 HS / Opt 8 (ALU Refo KS/LS, Foam): 80/70 / air / clr (DS/DS) 3/4" IG											
	0.117	0.500	0.117					AIR	0.095(#2)	CL	TS-D	N,G,S
	U-Factor 0.33			SHGC (N / <1) 0.51 / 0.45				VT (N / <1) 0.61 / 0.55			CR 52	
	141.094/142.094/148.094 HS / Opt 8 (ALU Refo KS/LS, Foam): clr / air / 80/70 (DS/DS) 3/4" IG											
	0.117	0.500	0.117					AIR	0.095(#3)	CL	TS-D	N,G,S
	U-Factor 0.33			SHGC (N / <1) 0.53 / 0.48				VT (N / <1) 0.61 / 0.55			CR 52	
700	141.094/142.094/148.094 HS / Opt 8 (ALU Refo KS/LS, Foam): 80/70 / arg / clr (DS/DS) 3/4" IG											
	0.117	0.500	0.117					ARG90	0.095(#2)	CL	TS-D	N,G,S
	U-Factor 0.30			SHGC (N / <1) 0.51 / 0.45				VT (N / <1) 0.61 / 0.55			CR 55	
	141.094/142.094/148.094 HS / Opt 8 (ALU Refo KS/LS, Foam): clr / arg / 80/70 (DS/DS) 3/4" IG											
	0.117	0.500	0.117					ARG90	0.095(#3)	CL	TS-D	N,G,S
	U-Factor 0.30			SHGC (N / <1) 0.54 / 0.48				VT (N / <1) 0.61 / 0.55			CR 55	

NFRC 100/200/500 Summary Sheet
Windgate/Belmont/Hawthorne 2-Lite Slider

ID	Pane Thickness 1	Gap Width 1	Pane Thickness 2	Gap Width 2	Pane Thickness 3	Gap Width 3	Pane Thickness 4	Gap Fill	Low-e (Surface#)	Tint	Spacer	Grid Type
	U-Factor			Solar Heat Gain Coefficient (SHGC) Grids (None / <1 / >=1)				Visible Transmittance (VT) Grids (None / <1 / >=1)			Condensation Resistance	
701	141.094/142.094/148.094 HS / Opt 8 (ALU Refo KS/LS, Foam): lami / arg / 80/70 (DS 090 DS/DS) 3/4" IG											
	0.264	0.345	0.117					ARG90	0.095(#3)	CL	TS-D	N,S
	U-Factor 0.31			SHGC (N / <1) 0.49 / 0.44				VT (N / <1) 0.60 / 0.54			CR 53	
	141.094/142.094/148.094 HS / Opt 8 (ALU Refo KS/LS, Foam): 80/70 / arg / lami (DS/DS 090)DS 3/4" IG											
	0.117	0.345	0.264					ARG90	0.095(#2)	CL	TS-D	N,S
	U-Factor 0.31			SHGC (N / <1) 0.50 / 0.45				VT (N / <1) 0.60 / 0.54			CR 53	
702	141.094/142.094/148.094 HS / Opt 8 (ALU Refo KS/LS, Foam): lami / arg / 80/70 (DS 090 DS/DS) 3/4" IG											
	0.264	0.345	0.117					ARG90	0.095(#3)	CL	TS-D	G,S
	U-Factor 0.33			SHGC (<1) 0.44				VT (<1) 0.54			CR 53	
	141.094/142.094/148.094 HS / Opt 8 (ALU Refo KS/LS, Foam): 80/70 / arg / lami (DS/DS 090)DS 3/4" IG											
	0.117	0.345	0.264					ARG90	0.095(#2)	CL	TS-D	G,S
	U-Factor 0.33			SHGC (<1) 0.45				VT (<1) 0.54			CR 53	
703	141.094/142.094/148.094 HS / Opt 8 (ALU Refo KS/LS, Foam): 80/70 / arg / clr / arg / 80/70 (SS/SS/SS) 3/4" IG											
	0.090	0.250	0.090	0.250	0.090			ARG90	0.095(#2) / 0.095(#5)	CL	TS-D	N,S
	U-Factor 0.25			SHGC (N / <1) 0.45 / 0.41				VT (N / <1) 0.56 / 0.50			CR 61	
704	141.094/142.094/148.094 HS / Opt 8 (ALU Refo KS/LS, Foam): 80/70 / arg / clr / arg / 80/70 (SS/SS/SS) 3/4" IG											
	0.090	0.250	0.090	0.250	0.090			ARG90	0.095(#2) / 0.095(#5)	CL	TS-D	G,S
	U-Factor 0.26			SHGC (<1) 0.41				VT (<1) 0.50			CR 61	
705	141.094/142.094/148.094 HS / Opt 9 (ALU Refo KS/LS/S, Foam): clr / air / clr (SS/SS) 3/4" IG											
	0.087	0.563	0.087					AIR		CL	P1-S	N,G,S
	U-Factor 0.45			SHGC (N / <1) 0.61 / 0.54				VT (N / <1) 0.63 / 0.56			CR 45	
706	141.094/142.094/148.094 HS / Opt 9 (ALU Refo KS/LS/S, Foam): clr / air / clr (DS/DS) 3/4" IG											
	0.118	0.500	0.118					AIR		CL	P1-S	N,G,S
	U-Factor 0.45			SHGC (N / <1) 0.59 / 0.53				VT (N / <1) 0.62 / 0.56			CR 44	
707	141.094/142.094/148.094 HS / Opt 9 (ALU Refo KS/LS/S, Foam): clr / air / clr (5mm/DS) 3/4" IG											
	0.185	0.438	0.118					AIR		CL	P1-S	N,G,S
	U-Factor 0.45			SHGC (N / <1) 0.57 / 0.51				VT (N / <1) 0.62 / 0.55			CR 44	
708	141.094/142.094/148.094 HS / Opt 9 (ALU Refo KS/LS/S, Foam): clr / air / clr (5mm/DS) 3/4" IG											
	0.185	0.438	0.118					AIR		CL	P1-S	G
	U-Factor 0.45			SHGC (<1) 0.51				VT (<1) 0.55			CR 44	

NFRC 100/200/500 Summary Sheet
Windgate/Belmont/Hawthorne 2-Lite Slider

ID	Pane Thickness 1	Gap Width 1	Pane Thickness 2	Gap Width 2	Pane Thickness 3	Gap Width 3	Pane Thickness 4	Gap Fill	Low-e (Surface#)	Tint	Spacer	Grid Type
	U-Factor			Solar Heat Gain Coefficient (SHGC) Grids (None / <1 / >=1)				Visible Transmittance (VT) Grids (None / <1 / >=1)			Condensation Resistance	
709	141.094/142.094/148.094 HS / Opt 9 (ALU Refo KS/LS/S, Foam): lami / air / clr (DS 090 DS/DS) 3/4" IG											
	0.264	0.345	0.118					AIR		CL	P1-S	N,S
	U-Factor 0.46			SHGC (N / <1) 0.55 / 0.49				VT (N / <1) 0.61 / 0.55			CR 43	
	141.094/142.094/148.094 HS / Opt 9 (ALU Refo KS/LS/S, Foam): clr / air / lami (DS/DS 090 DS) 3/4" IG											
	0.118	0.345	0.264					AIR		CL	P1-S	N,S
	U-Factor 0.46			SHGC (N / <1) 0.57 / 0.51				VT (N / <1) 0.61 / 0.55			CR 43	
710	141.094/142.094/148.094 HS / Opt 9 (ALU Refo KS/LS/S, Foam): lami / air / clr (DS 090 DS/DS) 3/4" IG											
	0.264	0.345	0.118					AIR		CL	P1-S	G,S
	U-Factor 0.47			SHGC (<1) 0.49				VT (<1) 0.55			CR 43	
	141.094/142.094/148.094 HS / Opt 9 (ALU Refo KS/LS/S, Foam): clr / air / lami (DS/DS 090 DS) 3/4" IG											
	0.118	0.345	0.264					AIR		CL	P1-S	G,S
	U-Factor 0.47			SHGC (<1) 0.51				VT (<1) 0.55			CR 43	
711	141.094/142.094/148.094 HS / Opt 9 (ALU Refo KS/LS/S, Foam): clr / air / clr / air / clr (SS/SS/SS) 3/4" IG (P1-S)											
	0.087	0.250	0.087	0.250	0.087			AIR		CL	P1-S	N,S
	U-Factor 0.37			SHGC (N / <1) 0.55 / 0.49				VT (N / <1) 0.58 / 0.52			CR 52	
712	141.094/142.094/148.094 HS / Opt 9 (ALU Refo KS/LS/S, Foam): clr / air / clr / air / clr (SS/SS/SS) 3/4" IG (P1-S)											
	0.087	0.250	0.087	0.250	0.087			AIR		CL	P1-S	G,S
	U-Factor 0.38			SHGC (<1) 0.49				VT (<1) 0.52			CR 52	
713	141.094/142.094/148.094 HS / Opt 9 (ALU Refo KS/LS/S, Foam): E270 / air / clr (SS/SS) 3/4" IG											
	0.087	0.563	0.087					AIR	0.037(#2)	CL	P1-S	N,G,S
	U-Factor 0.31			SHGC (N / <1) 0.29 / 0.26				VT (N / <1) 0.54 / 0.48			CR 58	
	141.094/142.094/148.094 HS / Opt 9 (ALU Refo KS/LS/S, Foam): clr / air / E270 (SS/SS) 3/4" IG											
	0.087	0.563	0.087					AIR	0.037(#3)	CL	P1-S	N,G,S
	U-Factor 0.31			SHGC (N / <1) 0.35 / 0.32				VT (N / <1) 0.54 / 0.48			CR 58	
714	141.094/142.094/148.094 HS / Opt 9 (ALU Refo KS/LS/S, Foam): E270 / arg / clr (SS/SS) 3/4" IG											
	0.087	0.563	0.087					ARG90	0.037(#2)	CL	P1-S	N,G,S
	U-Factor 0.28			SHGC (N / <1) 0.28 / 0.26				VT (N / <1) 0.54 / 0.48			CR 61	
	141.094/142.094/148.094 HS / Opt 9 (ALU Refo KS/LS/S, Foam): clr / arg / E270 (SS/SS) 3/4" IG											
	0.087	0.563	0.087					ARG90	0.037(#3)	CL	P1-S	N,G,S
	U-Factor 0.28			SHGC (N / <1) 0.36 / 0.32				VT (N / <1) 0.54 / 0.48			CR 61	

**NFRC 100/200/500 Summary Sheet
Windgate/Belmont/Hawthorne 2-Lite Slider**

ID	Pane Thickness 1	Gap Width 1	Pane Thickness 2	Gap Width 2	Pane Thickness 3	Gap Width 3	Pane Thickness 4	Gap Fill	Low-e (Surface#)	Tint	Spacer	Grid Type
	U-Factor			Solar Heat Gain Coefficient (SHGC) Grids (None / <1 / >=1)				Visible Transmittance (VT) Grids (None / <1 / >=1)			Condensation Resistance	
715	141.094/142.094/148.094 HS / Opt 9 (ALU Refo KS/LS/S, Foam): E270 / air / clr (DS/DS) 3/4" IG											
	0.118	0.500	0.118					AIR	0.037(#2)	CL	P1-S	N,G,S
	U-Factor 0.31			SHGC (N / <1) 0.29 / 0.26				VT (N / <1) 0.53 / 0.47			CR 57	
	141.094/142.094/148.094 HS / Opt 9 (ALU Refo KS/LS/S, Foam): clr / air / E270 (DS/DS) 3/4" IG											
	0.118	0.500	0.118					AIR	0.037(#3)	CL	P1-S	N,G,S
	U-Factor 0.31			SHGC (N / <1) 0.35 / 0.31				VT (N / <1) 0.53 / 0.47			CR 57	
716	141.094/142.094/148.094 HS / Opt 9 (ALU Refo KS/LS/S, Foam): E270 / arg / clr (DS/DS) 3/4" IG											
	0.118	0.500	0.118					ARG90	0.037(#2)	CL	P1-S	N,G,S
	U-Factor 0.27			SHGC (N / <1) 0.28 / 0.25				VT (N / <1) 0.53 / 0.47			CR 60	
	141.094/142.094/148.094 HS / Opt 9 (ALU Refo KS/LS/S, Foam): clr / arg / E270 (DS/DS) 3/4" IG											
	0.118	0.500	0.118					ARG90	0.037(#3)	CL	P1-S	N,G,S
	U-Factor 0.27			SHGC (N / <1) 0.35 / 0.32				VT (N / <1) 0.53 / 0.47			CR 60	
717	141.094/142.094/148.094 HS / Opt 9 (ALU Refo KS/LS/S, Foam): lami / arg / E270 (DS 090 DS/DS) 3/4" IG											
	0.264	0.345	0.118					ARG90	0.037(#3)	CL	P1-S	N,S
	U-Factor 0.29			SHGC (N / <1) 0.33 / 0.30				VT (N / <1) 0.52 / 0.47			CR 58	
	141.094/142.094/148.094 HS / Opt 9 (ALU Refo KS/LS/S, Foam): E270 / arg / lami (DS/DS 090 DS) 3/4" IG											
	0.118	0.345	0.264					ARG90	0.037(#2)	CL	P1-S	N,S
	U-Factor 0.29			SHGC (N / <1) 0.28 / 0.25				VT (N / <1) 0.52 / 0.47			CR 58	
718	141.094/142.094/148.094 HS / Opt 9 (ALU Refo KS/LS/S, Foam): lami / arg / E270 (DS 090 DS/DS) 3/4" IG											
	0.264	0.345	0.118					ARG90	0.037(#3)	CL	P1-S	G,S
	U-Factor 0.31			SHGC (<1) 0.30				VT (<1) 0.47			CR 58	
	141.094/142.094/148.094 HS / Opt 9 (ALU Refo KS/LS/S, Foam): E270 / arg / lami (DS/DS 090 DS) 3/4" IG											
	0.118	0.345	0.264					ARG90	0.037(#2)	CL	P1-S	G,S
	U-Factor 0.31			SHGC (<1) 0.25				VT (<1) 0.47			CR 58	
719	141.094/142.094/148.094 HS / Opt 9 (ALU Refo KS/LS/S, Foam): E270 / arg / clr / arg / E270 (SS/SS/SS) 3/4" IG (P1-S)											
	0.087	0.250	0.087	0.250	0.087			ARG90	0.037(#2) / 0.037(#5)	CL	P1-S	N,S
	U-Factor 0.24			SHGC (N / <1) 0.24 / 0.22				VT (N / <1) 0.42 / 0.37			CR 66	
720	141.094/142.094/148.094 HS / Opt 9 (ALU Refo KS/LS/S, Foam): E270 / arg / clr / arg / E270 (SS/SS/SS) 3/4" IG (P1-S)											
	0.087	0.250	0.087	0.250	0.087			ARG90	0.037(#2) / 0.037(#5)	CL	P1-S	G,S
	U-Factor 0.25			SHGC (<1) 0.22				VT (<1) 0.37			CR 66	

NFRC 100/200/500 Summary Sheet
Windgate/Belmont/Hawthorne 2-Lite Slider

ID	Pane Thickness 1	Gap Width 1	Pane Thickness 2	Gap Width 2	Pane Thickness 3	Gap Width 3	Pane Thickness 4	Gap Fill	Low-e (Surface#)	Tint	Spacer	Grid Type
	U-Factor			Solar Heat Gain Coefficient (SHGC) Grids (None / <1 / >=1)				Visible Transmittance (VT) Grids (None / <1 / >=1)			Condensation Resistance	
721	141.094/142.094/148.094 HS / Opt 9 (ALU Refo KS/LS/S, Foam): E366 / air / clr (SS/SS) 3/4" IG											
	0.087	0.563	0.087					AIR	0.022(#2)	CL	P1-S	N,G,S
	U-Factor 0.31			SHGC (N / <1) 0.21 / 0.19				VT (N / <1) 0.50 / 0.44			CR 58	
	141.094/142.094/148.094 HS / Opt 9 (ALU Refo KS/LS/S, Foam): clr / air / E366 (SS/SS) 3/4" IG											
	0.087	0.563	0.087					AIR	0.022(#3)	CL	P1-S	N,G,S
	U-Factor 0.31			SHGC (N / <1) 0.30 / 0.27				VT (N / <1) 0.50 / 0.44			CR 58	
722	141.094/142.094/148.094 HS / Opt 9 (ALU Refo KS/LS/S, Foam): E366 / arg / clr (SS/SS) 3/4" IG											
	0.087	0.563	0.087					ARG90	0.022(#2)	CL	P1-S	N,G,S
	U-Factor 0.27			SHGC (N / <1) 0.21 / 0.19				VT (N / <1) 0.50 / 0.44			CR 62	
	141.094/142.094/148.094 HS / Opt 9 (ALU Refo KS/LS/S, Foam): clr / arg / E366 (SS/SS) 3/4" IG											
	0.087	0.563	0.087					ARG90	0.022(#3)	CL	P1-S	N,G,S
	U-Factor 0.27			SHGC (N / <1) 0.30 / 0.27				VT (N / <1) 0.50 / 0.44			CR 62	
723	141.094/142.094/148.094 HS / Opt 9 (ALU Refo KS/LS/S, Foam): E366 / air / clr (DS/DS) 3/4" IG											
	0.117	0.500	0.118					AIR	0.022(#2)	CL	P1-S	N,G,S
	U-Factor 0.30			SHGC (N / <1) 0.21 / 0.19				VT (N / <1) 0.49 / 0.44			CR 57	
	141.094/142.094/148.094 HS / Opt 9 (ALU Refo KS/LS/S, Foam): clr / air / E366 (DS/DS) 3/4" IG											
	0.118	0.500	0.117					AIR	0.022(#3)	CL	P1-S	N,G,S
	U-Factor 0.30			SHGC (N / <1) 0.29 / 0.27				VT (N / <1) 0.49 / 0.44			CR 57	
724	141.094/142.094/148.094 HS / Opt 9 (ALU Refo KS/LS/S, Foam): E366 / arg / clr (DS/DS) 3/4" IG											
	0.117	0.500	0.118					ARG90	0.022(#2)	CL	P1-S	N,G,S
	U-Factor 0.27			SHGC (N / <1) 0.21 / 0.19				VT (N / <1) 0.49 / 0.44			CR 61	
	141.094/142.094/148.094 HS / Opt 9 (ALU Refo KS/LS/S, Foam): clr / arg / E366 (DS/DS) 3/4" IG											
	0.118	0.500	0.117					ARG90	0.022(#3)	CL	P1-S	N,G,S
	U-Factor 0.27			SHGC (N / <1) 0.30 / 0.27				VT (N / <1) 0.49 / 0.44			CR 61	
725	141.094/142.094/148.094 HS / Opt 9 (ALU Refo KS/LS/S, Foam): lami / arg / E366 (DS 090 DS/DS) 3/4" IG											
	0.264	0.345	0.117					ARG90	0.022(#3)	CL	P1-S	N,S
	U-Factor 0.29			SHGC (N / <1) 0.29 / 0.26				VT (N / <1) 0.48 / 0.43			CR 59	
	141.094/142.094/148.094 HS / Opt 9 (ALU Refo KS/LS/S, Foam): E366 / arg / lami (DS/DS 090 DS) 3/4" IG											
	0.117	0.345	0.264					ARG90	0.022(#2)	CL	P1-S	N,S
	U-Factor 0.29			SHGC (N / <1) 0.21 / 0.19				VT (N / <1) 0.48 / 0.43			CR 59	

NFRC 100/200/500 Summary Sheet
Windgate/Belmont/Hawthorne 2-Lite Slider

ID	Pane Thickness 1	Gap Width 1	Pane Thickness 2	Gap Width 2	Pane Thickness 3	Gap Width 3	Pane Thickness 4	Gap Fill	Low-e (Surface#)	Tint	Spacer	Grid Type
	U-Factor			Solar Heat Gain Coefficient (SHGC) Grids (None / <1 / >=1)				Visible Transmittance (VT) Grids (None / <1 / >=1)			Condensation Resistance	
726	141.094/142.094/148.094 HS / Opt 9 (ALU Refo KS/LS/S, Foam): lami / arg / E366 (DS 090 DS/DS) 3/4" IG											
	0.264	0.345	0.117					ARG90	0.022(#3)	CL	P1-S	G,S
	U-Factor 0.30			SHGC (<1) 0.26				VT (<1) 0.43			CR 59	
	141.094/142.094/148.094 HS / Opt 9 (ALU Refo KS/LS/S, Foam): E366 / arg / lami (DS/DS 090 DS) 3/4" IG											
	0.117	0.345	0.264					ARG90	0.022(#2)	CL	P1-S	G,S
	U-Factor 0.30			SHGC (<1) 0.19				VT (<1) 0.43			CR 59	
727	141.094/142.094/148.094 HS / Opt 9 (ALU Refo KS/LS/S, Foam): E366 / arg / clr / arg / E366 (SS/SS/SS) 3/4" IG (P1-S)											
	0.087	0.250	0.087	0.250	0.087			ARG90	0.022(#2) / 0.022(#5)	CL	P1-S	N,S
	U-Factor 0.23			SHGC (N / <1) 0.19 / 0.17				VT (N / <1) 0.36 / 0.32			CR 67	
728	141.094/142.094/148.094 HS / Opt 9 (ALU Refo KS/LS/S, Foam): E366 / arg / clr / arg / E366 (SS/SS/SS) 3/4" IG (P1-S)											
	0.087	0.250	0.087	0.250	0.087			ARG90	0.022(#2) / 0.022(#5)	CL	P1-S	G,S
	U-Factor 0.24			SHGC (<1) 0.17				VT (<1) 0.32			CR 67	
729	141.094/142.094/148.094 HS / Opt 9 (ALU Refo KS/LS/S, Foam): 70/36 / air / clr (SS/SS) 3/4" IG											
	0.090	0.563	0.090					AIR	0.036(#2)	CL	P1-S	N,G,S
	U-Factor 0.31			SHGC (N / <1) 0.30 / 0.27				VT (N / <1) 0.54 / 0.48			CR 58	
	141.094/142.094/148.094 HS / Opt 9 (ALU Refo KS/LS/S, Foam): clr / air / 70/36 (SS/SS) 3/4" IG											
	0.090	0.563	0.090					AIR	0.036(#3)	CL	P1-S	N,G,S
	U-Factor 0.31			SHGC (N / <1) 0.37 / 0.33				VT (N / <1) 0.54 / 0.48			CR 58	
730	141.094/142.094/148.094 HS / Opt 9 (ALU Refo KS/LS/S, Foam): 70/36 / arg / clr (SS/SS) 3/4" IG											
	0.090	0.563	0.090					ARG90	0.036(#2)	CL	P1-S	N,G,S
	U-Factor 0.28			SHGC (N / <1) 0.30 / 0.27				VT (N / <1) 0.54 / 0.48			CR 61	
	141.094/142.094/148.094 HS / Opt 9 (ALU Refo KS/LS/S, Foam): clr / arg / 70/36 (SS/SS) 3/4" IG											
	0.090	0.563	0.090					ARG90	0.036(#3)	CL	P1-S	N,G,S
	U-Factor 0.28			SHGC (N / <1) 0.38 / 0.34				VT (N / <1) 0.54 / 0.48			CR 61	
731	141.094/142.094/148.094 HS / Opt 9 (ALU Refo KS/LS/S, Foam): 70/36 / air / clr (DS/DS) 3/4" IG											
	0.117	0.500	0.117					AIR	0.036(#2)	CL	P1-S	N,G,S
	U-Factor 0.31			SHGC (N / <1) 0.30 / 0.27				VT (N / <1) 0.53 / 0.47			CR 57	
	141.094/142.094/148.094 HS / Opt 9 (ALU Refo KS/LS/S, Foam): clr / air / 70/36 (DS/DS) 3/4" IG											
	0.117	0.500	0.117					AIR	0.036(#3)	CL	P1-S	N,G,S
	U-Factor 0.31			SHGC (N / <1) 0.37 / 0.33				VT (N / <1) 0.53 / 0.47			CR 57	

**NFRC 100/200/500 Summary Sheet
Windgate/Belmont/Hawthorne 2-Lite Slider**

ID	Pane Thickness 1	Gap Width 1	Pane Thickness 2	Gap Width 2	Pane Thickness 3	Gap Width 3	Pane Thickness 4	Gap Fill	Low-e (Surface#)	Tint	Spacer	Grid Type
	U-Factor			Solar Heat Gain Coefficient (SHGC) Grids (None / <1 / >=1)				Visible Transmittance (VT) Grids (None / <1 / >=1)			Condensation Resistance	
732	141.094/142.094/148.094 HS / Opt 9 (ALU Refo KS/LS/S, Foam): 70/36 / arg / clr (DS/DS) 3/4" IG											
	0.117	0.500	0.117					ARG90	0.036(#2)	CL	P1-S	N,G,S
	U-Factor 0.27			SHGC (N / <1) 0.29 / 0.27				VT (N / <1) 0.53 / 0.47			CR 61	
	141.094/142.094/148.094 HS / Opt 9 (ALU Refo KS/LS/S, Foam): clr / arg / 70/36 (DS/DS) 3/4" IG											
	0.117	0.500	0.117					ARG90	0.036(#3)	CL	P1-S	N,G,S
	U-Factor 0.27			SHGC (N / <1) 0.37 / 0.33				VT (N / <1) 0.53 / 0.47			CR 61	
733	141.094/142.094/148.094 HS / Opt 9 (ALU Refo KS/LS/S, Foam): lami / arg / 70/36 (DS 090 DS/DS) 3/4" IG											
	0.264	0.345	0.117					ARG90	0.036(#3)	CL	P1-S	N,S
	U-Factor 0.29			SHGC (N / <1) 0.35 / 0.32				VT (N / <1) 0.52 / 0.47			CR 58	
	141.094/142.094/148.094 HS / Opt 9 (ALU Refo KS/LS/S, Foam): 70/36 / arg / lami (DS/DS 090 DS) 3/4" IG											
	0.117	0.345	0.264					ARG90	0.036(#2)	CL	P1-S	N,S
	U-Factor 0.29			SHGC (N / <1) 0.29 / 0.26				VT (N / <1) 0.52 / 0.47			CR 58	
734	141.094/142.094/148.094 HS / Opt 9 (ALU Refo KS/LS/S, Foam): lami / arg / 70/36 (DS 090 DS/DS) 3/4" IG											
	0.264	0.345	0.117					ARG90	0.036(#3)	CL	P1-S	G,S
	U-Factor 0.31			SHGC (<1) 0.32				VT (<1) 0.47			CR 58	
	141.094/142.094/148.094 HS / Opt 9 (ALU Refo KS/LS/S, Foam): 70/36 / arg / lami (DS/DS 090 DS) 3/4" IG											
	0.117	0.345	0.264					ARG90	0.036(#2)	CL	P1-S	G,S
	U-Factor 0.31			SHGC (<1) 0.26				VT (<1) 0.47			CR 58	
735	141.094/142.094/148.094 HS / Opt 9 (ALU Refo KS/LS/S, Foam): 70/36 / arg / clr / arg / 70/36 (SS/SS/SS) 3/4" IG											
	0.090	0.250	0.090	0.250	0.090			ARG90	0.036(#2) / 0.036(#5)	CL	P1-S	N,S
	U-Factor 0.24			SHGC (N / <1) 0.26 / 0.23				VT (N / <1) 0.42 / 0.37			CR 66	
736	141.094/142.094/148.094 HS / Opt 9 (ALU Refo KS/LS/S, Foam): 70/36 / arg / clr / arg / 70/36 (SS/SS/SS) 3/4" IG											
	0.090	0.250	0.090	0.250	0.090			ARG90	0.036(#2) / 0.036(#5)	CL	P1-S	G,S
	U-Factor 0.24			SHGC (<1) 0.23				VT (<1) 0.37			CR 66	
737	141.094/142.094/148.094 HS / Opt 9 (ALU Refo KS/LS/S, Foam): 80/70 / air / clr (SS/SS) 3/4" IG											
	0.090	0.563	0.090					AIR	0.095(#2)	CL	P1-S	N,G,S
	U-Factor 0.33			SHGC (N / <1) 0.51 / 0.46				VT (N / <1) 0.62 / 0.55			CR 56	
	141.094/142.094/148.094 HS / Opt 9 (ALU Refo KS/LS/S, Foam): clr / air / 80/70 (SS/SS) 3/4" IG											
	0.090	0.563	0.090					AIR	0.095(#3)	CL	P1-S	N,G,S
	U-Factor 0.33			SHGC (N / <1) 0.54 / 0.49				VT (N / <1) 0.62 / 0.55			CR 56	

**NFRC 100/200/500 Summary Sheet
Windgate/Belmont/Hawthorne 2-Lite Slider**

ID	Pane Thickness 1	Gap Width 1	Pane Thickness 2	Gap Width 2	Pane Thickness 3	Gap Width 3	Pane Thickness 4	Gap Fill	Low-e (Surface#)	Tint	Spacer	Grid Type
	U-Factor			Solar Heat Gain Coefficient (SHGC) Grids (None / <1 / >=1)				Visible Transmittance (VT) Grids (None / <1 / >=1)			Condensation Resistance	
738	141.094/142.094/148.094 HS / Opt 9 (ALU Refo KS/LS/S, Foam): 80/70 / arg / clr (SS/SS) 3/4" IG											
	0.090	0.563	0.090					ARG90	0.095(#2)	CL	P1-S	N,G,S
	U-Factor 0.29			SHGC (N / <1) 0.51 / 0.46				VT (N / <1) 0.62 / 0.55			CR 60	
	141.094/142.094/148.094 HS / Opt 9 (ALU Refo KS/LS/S, Foam): clr / arg / 80/70 (SS/SS) 3/4" IG											
	0.090	0.563	0.090					ARG90	0.095(#3)	CL	P1-S	N,G,S
	U-Factor 0.29			SHGC (N / <1) 0.54 / 0.49				VT (N / <1) 0.62 / 0.55			CR 60	
739	141.094/142.094/148.094 HS / Opt 9 (ALU Refo KS/LS/S, Foam): 80/70 / air / clr (DS/DS) 3/4" IG											
	0.117	0.500	0.117					AIR	0.095(#2)	CL	P1-S	N,G,S
	U-Factor 0.32			SHGC (N / <1) 0.51 / 0.45				VT (N / <1) 0.61 / 0.55			CR 56	
	141.094/142.094/148.094 HS / Opt 9 (ALU Refo KS/LS/S, Foam): clr / air / 80/70 (DS/DS) 3/4" IG											
	0.117	0.500	0.117					AIR	0.095(#3)	CL	P1-S	N,G,S
	U-Factor 0.32			SHGC (N / <1) 0.53 / 0.48				VT (N / <1) 0.61 / 0.55			CR 56	
740	141.094/142.094/148.094 HS / Opt 9 (ALU Refo KS/LS/S, Foam): 80/70 / arg / clr (DS/DS) 3/4" IG											
	0.117	0.500	0.117					ARG90	0.095(#2)	CL	P1-S	N,G,S
	U-Factor 0.29			SHGC (N / <1) 0.51 / 0.45				VT (N / <1) 0.61 / 0.55			CR 59	
	141.094/142.094/148.094 HS / Opt 9 (ALU Refo KS/LS/S, Foam): clr / arg / 80/70 (DS/DS) 3/4" IG											
	0.117	0.500	0.117					ARG90	0.095(#3)	CL	P1-S	N,G,S
	U-Factor 0.29			SHGC (N / <1) 0.54 / 0.48				VT (N / <1) 0.61 / 0.55			CR 59	
741	141.094/142.094/148.094 HS / Opt 9 (ALU Refo KS/LS/S, Foam): lami / arg / 80/70 (DS 090 DS/DS) 3/4" IG											
	0.264	0.345	0.117					ARG90	0.095(#3)	CL	P1-S	N,S
	U-Factor 0.31			SHGC (N / <1) 0.49 / 0.44				VT (N / <1) 0.60 / 0.54			CR 57	
	141.094/142.094/148.094 HS / Opt 9 (ALU Refo KS/LS/S, Foam): 80/70 / arg / lami (DS/DS 090 DS) 3/4" IG											
	0.117	0.345	0.264					ARG90	0.095(#2)	CL	P1-S	N,S
	U-Factor 0.31			SHGC (N / <1) 0.50 / 0.45				VT (N / <1) 0.60 / 0.54			CR 57	
742	141.094/142.094/148.094 HS / Opt 9 (ALU Refo KS/LS/S, Foam): lami / arg / 80/70 (DS 090 DS/DS) 3/4" IG											
	0.264	0.345	0.117					ARG90	0.095(#3)	CL	P1-S	G,S
	U-Factor 0.32			SHGC (<1) 0.44				VT (<1) 0.54			CR 57	
	141.094/142.094/148.094 HS / Opt 9 (ALU Refo KS/LS/S, Foam): 80/70 / arg / lami (DS/DS 090 DS) 3/4" IG											
	0.117	0.345	0.264					ARG90	0.095(#2)	CL	P1-S	G,S
	U-Factor 0.32			SHGC (<1) 0.45				VT (<1) 0.54			CR 57	

**NFRC 100/200/500 Summary Sheet
Windgate/Belmont/Hawthorne 2-Lite Slider**

ID	Pane Thickness 1	Gap Width 1	Pane Thickness 2	Gap Width 2	Pane Thickness 3	Gap Width 3	Pane Thickness 4	Gap Fill	Low-e (Surface#)	Tint	Spacer	Grid Type
	U-Factor			Solar Heat Gain Coefficient (SHGC) Grids (None / <1 / >=1)				Visible Transmittance (VT) Grids (None / <1 / >=1)			Condensation Resistance	
743	141.094/142.094/148.094 HS / Opt 9 (ALU Refo KS/LS/S, Foam): 80/70 / arg / clr / arg / 80/70 (SS/SS/SS) 3/4" IG											
	0.090	0.250	0.090	0.250	0.090			ARG90	0.095(#2) / 0.095(#5)	CL	P1-S	N,S
	U-Factor 0.25			SHGC (N / <1) 0.45 / 0.41				VT (N / <1) 0.56 / 0.50			CR 65	
744	141.094/142.094/148.094 HS / Opt 9 (ALU Refo KS/LS/S, Foam): 80/70 / arg / clr / arg / 80/70 (SS/SS/SS) 3/4" IG											
	0.090	0.250	0.090	0.250	0.090			ARG90	0.095(#2) / 0.095(#5)	CL	P1-S	G,S
	U-Factor 0.26			SHGC (<1) 0.41				VT (<1) 0.50			CR 65	
745	141.094/142.094/148.094 HS / Opt 9 (ALU Refo KS/LS/S, Foam): clr / air / clr (SS/SS) 3/4" IG											
	0.087	0.563	0.087					AIR		CL	SS-D	N,G,S
	U-Factor 0.45			SHGC (N / <1) 0.61 / 0.54				VT (N / <1) 0.63 / 0.56			CR 44	
746	141.094/142.094/148.094 HS / Opt 9 (ALU Refo KS/LS/S, Foam): clr / air / clr (DS/DS) 3/4" IG											
	0.118	0.500	0.118					AIR		CL	SS-D	N,G,S
	U-Factor 0.45			SHGC (N / <1) 0.59 / 0.53				VT (N / <1) 0.62 / 0.56			CR 43	
747	141.094/142.094/148.094 HS / Opt 9 (ALU Refo KS/LS/S, Foam): clr / air / clr (5mm/DS) 3/4" IG											
	0.185	0.438	0.118					AIR		CL	SS-D	N,G,S
	U-Factor 0.46			SHGC (N / <1) 0.57 / 0.51				VT (N / <1) 0.62 / 0.55			CR 43	
748	141.094/142.094/148.094 HS / Opt 9 (ALU Refo KS/LS/S, Foam): clr / air / clr (5mm/DS) 3/4" IG											
	0.185	0.438	0.118					AIR		CL	SS-D	G
	U-Factor 0.46			SHGC (<1) 0.51				VT (<1) 0.55			CR 43	
749	141.094/142.094/148.094 HS / Opt 9 (ALU Refo KS/LS/S, Foam): lami / air / clr (DS 090 DS/DS) 3/4" IG											
	0.264	0.345	0.118					AIR		CL	SS-D	N,S
	U-Factor 0.47			SHGC (N / <1) 0.55 / 0.49				VT (N / <1) 0.61 / 0.55			CR 42	
	141.094/142.094/148.094 HS / Opt 9 (ALU Refo KS/LS/S, Foam): clr / air / lami (DS/DS 090 DS) 3/4" IG											
	0.118	0.345	0.264					AIR		CL	SS-D	N,S
	U-Factor 0.47			SHGC (N / <1) 0.57 / 0.51				VT (N / <1) 0.61 / 0.55			CR 42	
750	141.094/142.094/148.094 HS / Opt 9 (ALU Refo KS/LS/S, Foam): lami / air / clr (DS 090 DS/DS) 3/4" IG											
	0.264	0.345	0.118					AIR		CL	SS-D	G,S
	U-Factor 0.48			SHGC (<1) 0.49				VT (<1) 0.55			CR 42	
	141.094/142.094/148.094 HS / Opt 9 (ALU Refo KS/LS/S, Foam): clr / air / lami (DS/DS 090 DS) 3/4" IG											
	0.118	0.345	0.264					AIR		CL	SS-D	G,S
	U-Factor 0.48			SHGC (<1) 0.51				VT (<1) 0.55			CR 42	

**NFRC 100/200/500 Summary Sheet
Windgate/Belmont/Hawthorne 2-Lite Slider**

ID	Pane Thickness 1	Gap Width 1	Pane Thickness 2	Gap Width 2	Pane Thickness 3	Gap Width 3	Pane Thickness 4	Gap Fill	Low-e (Surface#)	Tint	Spacer	Grid Type
	U-Factor			Solar Heat Gain Coefficient (SHGC) Grids (None / <1 / >=1)				Visible Transmittance (VT) Grids (None / <1 / >=1)			Condensation Resistance	
751	141.094/142.094/148.094 HS / Opt 9 (ALU Refo KS/LS/S, Foam): clr / air / clr / air / clr (SS/SS/SS) 3/4" IG (P1-S)											
	0.087	0.250	0.087	0.250	0.087			AIR		CL	SS-D	N,S
	U-Factor 0.38			SHGC (N / <1) 0.55 / 0.49				VT (N / <1) 0.58 / 0.52			CR 52	
752	141.094/142.094/148.094 HS / Opt 9 (ALU Refo KS/LS/S, Foam): clr / air / clr / air / clr (SS/SS/SS) 3/4" IG (P1-S)											
	0.087	0.250	0.087	0.250	0.087			AIR		CL	SS-D	G,S
	U-Factor 0.38			SHGC (<1) 0.49				VT (<1) 0.52			CR 52	
753	141.094/142.094/148.094 HS / Opt 9 (ALU Refo KS/LS/S, Foam): E270 / air / clr (SS/SS) 3/4" IG											
	0.087	0.563	0.087					AIR	0.037(#2)	CL	SS-D	N,G,S
	U-Factor 0.32			SHGC (N / <1) 0.29 / 0.26				VT (N / <1) 0.54 / 0.48			CR 55	
	141.094/142.094/148.094 HS / Opt 9 (ALU Refo KS/LS/S, Foam): clr / air / E270 (SS/SS) 3/4" IG											
	0.087	0.563	0.087					AIR	0.037(#3)	CL	SS-D	N,G,S
	U-Factor 0.32			SHGC (N / <1) 0.35 / 0.32				VT (N / <1) 0.54 / 0.48			CR 55	
754	141.094/142.094/148.094 HS / Opt 9 (ALU Refo KS/LS/S, Foam): E270 / arg / clr (SS/SS) 3/4" IG											
	0.087	0.563	0.087					ARG90	0.037(#2)	CL	SS-D	N,G,S
	U-Factor 0.29			SHGC (N / <1) 0.28 / 0.26				VT (N / <1) 0.54 / 0.48			CR 58	
	141.094/142.094/148.094 HS / Opt 9 (ALU Refo KS/LS/S, Foam): clr / arg / E270 (SS/SS) 3/4" IG											
	0.087	0.563	0.087					ARG90	0.037(#3)	CL	SS-D	N,G,S
	U-Factor 0.29			SHGC (N / <1) 0.36 / 0.32				VT (N / <1) 0.54 / 0.48			CR 58	
755	141.094/142.094/148.094 HS / Opt 9 (ALU Refo KS/LS/S, Foam): E270 / air / clr (DS/DS) 3/4" IG											
	0.118	0.500	0.118					AIR	0.037(#2)	CL	SS-D	N,G,S
	U-Factor 0.32			SHGC (N / <1) 0.29 / 0.26				VT (N / <1) 0.53 / 0.47			CR 54	
	141.094/142.094/148.094 HS / Opt 9 (ALU Refo KS/LS/S, Foam): clr / air / E270 (DS/DS) 3/4" IG											
	0.118	0.500	0.118					AIR	0.037(#3)	CL	SS-D	N,G,S
	U-Factor 0.32			SHGC (N / <1) 0.35 / 0.31				VT (N / <1) 0.53 / 0.47			CR 54	
756	141.094/142.094/148.094 HS / Opt 9 (ALU Refo KS/LS/S, Foam): E270 / arg / clr (DS/DS) 3/4" IG											
	0.118	0.500	0.118					ARG90	0.037(#2)	CL	SS-D	N,G,S
	U-Factor 0.28			SHGC (N / <1) 0.28 / 0.25				VT (N / <1) 0.53 / 0.47			CR 58	
	141.094/142.094/148.094 HS / Opt 9 (ALU Refo KS/LS/S, Foam): clr / arg / E270 (DS/DS) 3/4" IG											
	0.118	0.500	0.118					ARG90	0.037(#3)	CL	SS-D	N,G,S
	U-Factor 0.28			SHGC (N / <1) 0.35 / 0.32				VT (N / <1) 0.53 / 0.47			CR 58	

NFRC 100/200/500 Summary Sheet
Windgate/Belmont/Hawthorne 2-Lite Slider

ID	Pane Thickness 1	Gap Width 1	Pane Thickness 2	Gap Width 2	Pane Thickness 3	Gap Width 3	Pane Thickness 4	Gap Fill	Low-e (Surface#)	Tint	Spacer	Grid Type
	U-Factor			Solar Heat Gain Coefficient (SHGC) Grids (None / <1 / >=1)				Visible Transmittance (VT) Grids (None / <1 / >=1)			Condensation Resistance	
757	141.094/142.094/148.094 HS / Opt 9 (ALU Refo KS/LS/S, Foam): lami / arg / E270 (DS 090 DS/DS) 3/4" IG											
	0.264	0.345	0.118					ARG90	0.037(#3)	CL	SS-D	N,S
	U-Factor 0.30			SHGC (N / <1) 0.33 / 0.30				VT (N / <1) 0.52 / 0.47			CR 55	
	141.094/142.094/148.094 HS / Opt 9 (ALU Refo KS/LS/S, Foam): E270 / arg / lami (DS/DS 090 DS) 3/4" IG											
	0.118	0.345	0.264					ARG90	0.037(#2)	CL	SS-D	N,S
	U-Factor 0.30			SHGC (N / <1) 0.28 / 0.25				VT (N / <1) 0.52 / 0.47			CR 55	
758	141.094/142.094/148.094 HS / Opt 9 (ALU Refo KS/LS/S, Foam): lami / arg / E270 (DS 090 DS/DS) 3/4" IG											
	0.264	0.345	0.118					ARG90	0.037(#3)	CL	SS-D	G,S
	U-Factor 0.31			SHGC (<1) 0.30				VT (<1) 0.47			CR 55	
	141.094/142.094/148.094 HS / Opt 9 (ALU Refo KS/LS/S, Foam): E270 / arg / lami (DS/DS 090 DS) 3/4" IG											
	0.118	0.345	0.264					ARG90	0.037(#2)	CL	SS-D	G,S
	U-Factor 0.31			SHGC (<1) 0.25				VT (<1) 0.47			CR 55	
759	141.094/142.094/148.094 HS / Opt 9 (ALU Refo KS/LS/S, Foam): E270 / arg / clr / arg / E270 (SS/SS/SS) 3/4" IG (SS-D)											
	0.087	0.266	0.087	0.266	0.087			ARG90	0.037(#2) / 0.037(#5)	CL	SS-D	N,S
	U-Factor 0.24			SHGC (N / <1) 0.24 / 0.22				VT (N / <1) 0.42 / 0.37			CR 64	
760	141.094/142.094/148.094 HS / Opt 9 (ALU Refo KS/LS/S, Foam): E270 / arg / clr / arg / E270 (SS/SS/SS) 3/4" IG (SS-D)											
	0.087	0.266	0.087	0.266	0.087			ARG90	0.037(#2) / 0.037(#5)	CL	SS-D	G,S
	U-Factor 0.25			SHGC (<1) 0.22				VT (<1) 0.37			CR 64	
761	141.094/142.094/148.094 HS / Opt 9 (ALU Refo KS/LS/S, Foam): E366 / air / clr (SS/SS) 3/4" IG											
	0.087	0.563	0.087					AIR	0.022(#2)	CL	SS-D	N,G,S
	U-Factor 0.32			SHGC (N / <1) 0.21 / 0.19				VT (N / <1) 0.50 / 0.44			CR 55	
	141.094/142.094/148.094 HS / Opt 9 (ALU Refo KS/LS/S, Foam): clr / air / E366 (SS/SS) 3/4" IG											
	0.087	0.563	0.087					AIR	0.022(#3)	CL	SS-D	N,G,S
	U-Factor 0.32			SHGC (N / <1) 0.30 / 0.27				VT (N / <1) 0.50 / 0.44			CR 55	
762	141.094/142.094/148.094 HS / Opt 9 (ALU Refo KS/LS/S, Foam): E366 / arg / clr (SS/SS) 3/4" IG											
	0.087	0.563	0.087					ARG90	0.022(#2)	CL	SS-D	N,G,S
	U-Factor 0.28			SHGC (N / <1) 0.21 / 0.19				VT (N / <1) 0.50 / 0.44			CR 59	
	141.094/142.094/148.094 HS / Opt 9 (ALU Refo KS/LS/S, Foam): clr / arg / E366 (SS/SS) 3/4" IG											
	0.087	0.563	0.087					ARG90	0.022(#3)	CL	SS-D	N,G,S
	U-Factor 0.28			SHGC (N / <1) 0.30 / 0.27				VT (N / <1) 0.50 / 0.44			CR 59	

NFRC 100/200/500 Summary Sheet
Windgate/Belmont/Hawthorne 2-Lite Slider

ID	Pane Thickness 1	Gap Width 1	Pane Thickness 2	Gap Width 2	Pane Thickness 3	Gap Width 3	Pane Thickness 4	Gap Fill	Low-e (Surface#)	Tint	Spacer	Grid Type
	U-Factor			Solar Heat Gain Coefficient (SHGC) Grids (None / <1 / >=1)				Visible Transmittance (VT) Grids (None / <1 / >=1)			Condensation Resistance	
763	141.094/142.094/148.094 HS / Opt 9 (ALU Refo KS/LS/S, Foam): E366 / air / clr (DS/DS) 3/4" IG											
	0.117	0.500	0.118					AIR	0.022(#2)	CL	SS-D	N,G,S
	U-Factor 0.31			SHGC (N / <1) 0.21 / 0.19				VT (N / <1) 0.49 / 0.44			CR 55	
	141.094/142.094/148.094 HS / Opt 9 (ALU Refo KS/LS/S, Foam): clr / air / E366 (DS/DS) 3/4" IG											
	0.118	0.500	0.117					AIR	0.022(#3)	CL	SS-D	N,G,S
	U-Factor 0.31			SHGC (N / <1) 0.29 / 0.27				VT (N / <1) 0.49 / 0.44			CR 55	
764	141.094/142.094/148.094 HS / Opt 9 (ALU Refo KS/LS/S, Foam): E366 / arg / clr (DS/DS) 3/4" IG											
	0.117	0.500	0.118					ARG90	0.022(#2)	CL	SS-D	N,G,S
	U-Factor 0.28			SHGC (N / <1) 0.21 / 0.19				VT (N / <1) 0.49 / 0.44			CR 58	
	141.094/142.094/148.094 HS / Opt 9 (ALU Refo KS/LS/S, Foam): clr / arg / E366 (DS/DS) 3/4" IG											
	0.118	0.500	0.117					ARG90	0.022(#3)	CL	SS-D	N,G,S
	U-Factor 0.28			SHGC (N / <1) 0.30 / 0.27				VT (N / <1) 0.49 / 0.44			CR 58	
765	141.094/142.094/148.094 HS / Opt 9 (ALU Refo KS/LS/S, Foam): lami / arg / E366 (DS 090 DS/DS) 3/4" IG											
	0.264	0.345	0.117					ARG90	0.022(#3)	CL	SS-D	N,S
	U-Factor 0.30			SHGC (N / <1) 0.29 / 0.26				VT (N / <1) 0.48 / 0.43			CR 56	
	141.094/142.094/148.094 HS / Opt 9 (ALU Refo KS/LS/S, Foam): E366 / arg / lami (DS/DS 090 DS) 3/4" IG											
	0.117	0.345	0.264					ARG90	0.022(#2)	CL	SS-D	N,S
	U-Factor 0.30			SHGC (N / <1) 0.21 / 0.19				VT (N / <1) 0.48 / 0.43			CR 56	
766	141.094/142.094/148.094 HS / Opt 9 (ALU Refo KS/LS/S, Foam): lami / arg / E366 (DS 090 DS/DS) 3/4" IG											
	0.264	0.345	0.117					ARG90	0.022(#3)	CL	SS-D	G,S
	U-Factor 0.31			SHGC (<1) 0.26				VT (<1) 0.43			CR 56	
	141.094/142.094/148.094 HS / Opt 9 (ALU Refo KS/LS/S, Foam): E366 / arg / lami (DS/DS 090 DS) 3/4" IG											
	0.117	0.345	0.264					ARG90	0.022(#2)	CL	SS-D	G,S
	U-Factor 0.31			SHGC (<1) 0.19				VT (<1) 0.43			CR 56	
767	141.094/142.094/148.094 HS / Opt 9 (ALU Refo KS/LS/S, Foam): E366 / arg / clr / arg / E366 (SS/SS/SS) 3/4" IG (SS-D)											
	0.087	0.266	0.087	0.266	0.087			ARG90	0.022(#2) / 0.022(#5)	CL	SS-D	N,S
	U-Factor 0.24			SHGC (N / <1) 0.19 / 0.17				VT (N / <1) 0.36 / 0.32			CR 65	
768	141.094/142.094/148.094 HS / Opt 9 (ALU Refo KS/LS/S, Foam): E366 / arg / clr / arg / E366 (SS/SS/SS) 3/4" IG (SS-D)											
	0.087	0.266	0.087	0.266	0.087			ARG90	0.022(#2) / 0.022(#5)	CL	SS-D	G,S
	U-Factor 0.24			SHGC (<1) 0.17				VT (<1) 0.32			CR 65	

NFRC 100/200/500 Summary Sheet
Windgate/Belmont/Hawthorne 2-Lite Slider

ID	Pane Thickness 1	Gap Width 1	Pane Thickness 2	Gap Width 2	Pane Thickness 3	Gap Width 3	Pane Thickness 4	Gap Fill	Low-e (Surface#)	Tint	Spacer	Grid Type
	U-Factor			Solar Heat Gain Coefficient (SHGC) Grids (None / <1 / >=1)				Visible Transmittance (VT) Grids (None / <1 / >=1)			Condensation Resistance	
769	141.094/142.094/148.094 HS / Opt 9 (ALU Refo KS/LS/S, Foam): clr / air / clr (SS/SS) 3/4" IG											
	0.087	0.563	0.087					AIR		CL	TS-D	N,G,S
	U-Factor 0.45			SHGC (N / <1) 0.61 / 0.54				VT (N / <1) 0.63 / 0.56			CR 43	
770	141.094/142.094/148.094 HS / Opt 9 (ALU Refo KS/LS/S, Foam): clr / air / clr (DS/DS) 3/4" IG											
	0.118	0.500	0.118					AIR		CL	TS-D	N,G,S
	U-Factor 0.45			SHGC (N / <1) 0.59 / 0.53				VT (N / <1) 0.62 / 0.56			CR 43	
771	141.094/142.094/148.094 HS / Opt 9 (ALU Refo KS/LS/S, Foam): clr / air / clr (5mm/DS) 3/4" IG											
	0.185	0.438	0.118					AIR		CL	TS-D	N,G,S
	U-Factor 0.46			SHGC (N / <1) 0.57 / 0.51				VT (N / <1) 0.62 / 0.55			CR 42	
772	141.094/142.094/148.094 HS / Opt 9 (ALU Refo KS/LS/S, Foam): clr / air / clr (5mm/DS) 3/4" IG											
	0.185	0.438	0.118					AIR		CL	TS-D	G
	U-Factor 0.46			SHGC (<1) 0.51				VT (<1) 0.55			CR 42	
773	141.094/142.094/148.094 HS / Opt 9 (ALU Refo KS/LS/S, Foam): lami / air / clr (DS 090 DS/DS) 3/4" IG											
	0.264	0.345	0.118					AIR		CL	TS-D	N,S
	U-Factor 0.47			SHGC (N / <1) 0.55 / 0.49				VT (N / <1) 0.61 / 0.55			CR 42	
	141.094/142.094/148.094 HS / Opt 9 (ALU Refo KS/LS/S, Foam): clr / air / lami (DS/DS 090 DS) 3/4" IG											
	0.118	0.345	0.264					AIR		CL	TS-D	N,S
	U-Factor 0.47			SHGC (N / <1) 0.57 / 0.51				VT (N / <1) 0.61 / 0.55			CR 42	
774	141.094/142.094/148.094 HS / Opt 9 (ALU Refo KS/LS/S, Foam): lami / air / clr (DS 090 DS/DS) 3/4" IG											
	0.264	0.345	0.118					AIR		CL	TS-D	G,S
	U-Factor 0.48			SHGC (<1) 0.49				VT (<1) 0.55			CR 42	
	141.094/142.094/148.094 HS / Opt 9 (ALU Refo KS/LS/S, Foam): clr / air / lami (DS/DS 090 DS) 3/4" IG											
	0.118	0.345	0.264					AIR		CL	TS-D	G,S
	U-Factor 0.48			SHGC (<1) 0.51				VT (<1) 0.55			CR 42	
775	141.094/142.094/148.094 HS / Opt 9 (ALU Refo KS/LS/S, Foam): clr / air / clr / air / clr (SS/SS/SS) 3/4" IG (P1-S)											
	0.087	0.250	0.087	0.250	0.087			AIR		CL	TS-D	N,S
	U-Factor 0.38			SHGC (N / <1) 0.55 / 0.49				VT (N / <1) 0.58 / 0.52			CR 50	
776	141.094/142.094/148.094 HS / Opt 9 (ALU Refo KS/LS/S, Foam): clr / air / clr / air / clr (SS/SS/SS) 3/4" IG (P1-S)											
	0.087	0.250	0.087	0.250	0.087			AIR		CL	TS-D	G,S
	U-Factor 0.39			SHGC (<1) 0.49				VT (<1) 0.52			CR 50	

NFRC 100/200/500 Summary Sheet
Windgate/Belmont/Hawthorne 2-Lite Slider

ID	Pane Thickness 1	Gap Width 1	Pane Thickness 2	Gap Width 2	Pane Thickness 3	Gap Width 3	Pane Thickness 4	Gap Fill	Low-e (Surface#)	Tint	Spacer	Grid Type
	U-Factor			Solar Heat Gain Coefficient (SHGC) Grids (None / <1 / >=1)				Visible Transmittance (VT) Grids (None / <1 / >=1)			Condensation Resistance	
777	141.094/142.094/148.094 HS / Opt 9 (ALU Refo KS/LS/S, Foam): 70/36 / air / clr (SS/SS) 3/4" IG											
	0.090	0.563	0.090					AIR	0.036(#2)	CL	TS-D	N,G,S
	U-Factor 0.32			SHGC (N / <1) 0.30 / 0.27				VT (N / <1) 0.54 / 0.48			CR 54	
	141.094/142.094/148.094 HS / Opt 9 (ALU Refo KS/LS/S, Foam): clr / air / 70/36 (SS/SS) 3/4" IG											
	0.090	0.563	0.090					AIR	0.036(#3)	CL	TS-D	N,G,S
	U-Factor 0.32			SHGC (N / <1) 0.37 / 0.33				VT (N / <1) 0.54 / 0.48			CR 54	
778	141.094/142.094/148.094 HS / Opt 9 (ALU Refo KS/LS/S, Foam): 70/36 / arg / clr (SS/SS) 3/4" IG											
	0.090	0.563	0.090					ARG90	0.036(#2)	CL	TS-D	N,G,S
	U-Factor 0.29			SHGC (N / <1) 0.30 / 0.27				VT (N / <1) 0.54 / 0.48			CR 57	
	141.094/142.094/148.094 HS / Opt 9 (ALU Refo KS/LS/S, Foam): clr / arg / 70/36 (SS/SS) 3/4" IG											
	0.090	0.563	0.090					ARG90	0.036(#3)	CL	TS-D	N,G,S
	U-Factor 0.29			SHGC (N / <1) 0.38 / 0.34				VT (N / <1) 0.54 / 0.48			CR 57	
779	141.094/142.094/148.094 HS / Opt 9 (ALU Refo KS/LS/S, Foam): 70/36 / air / clr (DS/DS) 3/4" IG											
	0.117	0.500	0.117					AIR	0.036(#2)	CL	TS-D	N,G,S
	U-Factor 0.32			SHGC (N / <1) 0.30 / 0.27				VT (N / <1) 0.53 / 0.47			CR 53	
	141.094/142.094/148.094 HS / Opt 9 (ALU Refo KS/LS/S, Foam): clr / air / 70/36 (DS/DS) 3/4" IG											
	0.117	0.500	0.117					AIR	0.036(#3)	CL	TS-D	N,G,S
	U-Factor 0.32			SHGC (N / <1) 0.37 / 0.33				VT (N / <1) 0.53 / 0.47			CR 53	
780	141.094/142.094/148.094 HS / Opt 9 (ALU Refo KS/LS/S, Foam): 70/36 / arg / clr (DS/DS) 3/4" IG											
	0.117	0.500	0.117					ARG90	0.036(#2)	CL	TS-D	N,G,S
	U-Factor 0.29			SHGC (N / <1) 0.29 / 0.27				VT (N / <1) 0.53 / 0.47			CR 56	
	141.094/142.094/148.094 HS / Opt 9 (ALU Refo KS/LS/S, Foam): clr / arg / 70/36 (DS/DS) 3/4" IG											
	0.117	0.500	0.117					ARG90	0.036(#3)	CL	TS-D	N,G,S
	U-Factor 0.29			SHGC (N / <1) 0.37 / 0.33				VT (N / <1) 0.53 / 0.47			CR 56	
781	141.094/142.094/148.094 HS / Opt 9 (ALU Refo KS/LS/S, Foam): lami / arg / 70/36 (DS 090 DS/DS) 3/4" IG											
	0.264	0.345	0.117					ARG90	0.036(#3)	CL	TS-D	N,S
	U-Factor 0.30			SHGC (N / <1) 0.35 / 0.32				VT (N / <1) 0.52 / 0.47			CR 54	
	141.094/142.094/148.094 HS / Opt 9 (ALU Refo KS/LS/S, Foam): 70/36 / arg / lami (DS/DS 090 DS) 3/4" IG											
	0.117	0.345	0.264					ARG90	0.036(#2)	CL	TS-D	N,S
	U-Factor 0.30			SHGC (N / <1) 0.29 / 0.26				VT (N / <1) 0.52 / 0.47			CR 54	

NFRC 100/200/500 Summary Sheet
Windgate/Belmont/Hawthorne 2-Lite Slider

ID	Pane Thickness 1	Gap Width 1	Pane Thickness 2	Gap Width 2	Pane Thickness 3	Gap Width 3	Pane Thickness 4	Gap Fill	Low-e (Surface#)	Tint	Spacer	Grid Type
	U-Factor			Solar Heat Gain Coefficient (SHGC) Grids (None / <1 / >=1)				Visible Transmittance (VT) Grids (None / <1 / >=1)			Condensation Resistance	
782	141.094/142.094/148.094 HS / Opt 9 (ALU Refo KS/LS/S, Foam): lami / arg / 70/36 (DS 090 DS/DS) 3/4" IG											
	0.264	0.345	0.117					ARG90	0.036(#3)	CL	TS-D	G,S
	U-Factor 0.32			SHGC (<1) 0.32				VT (<1) 0.47			CR 54	
	141.094/142.094/148.094 HS / Opt 9 (ALU Refo KS/LS/S, Foam): 70/36 / arg / lami (DS/DS 090 DS) 3/4" IG											
	0.117	0.345	0.264					ARG90	0.036(#2)	CL	TS-D	G,S
	U-Factor 0.32			SHGC (<1) 0.26				VT (<1) 0.47			CR 54	
783	141.094/142.094/148.094 HS / Opt 9 (ALU Refo KS/LS/S, Foam): 70/36 / arg / clr / arg / 70/36 (SS/SS/SS) 3/4" IG											
	0.090	0.250	0.090	0.250	0.090			ARG90	0.036(#2) / 0.036(#5)	CL	TS-D	N,S
	U-Factor 0.25			SHGC (N / <1) 0.26 / 0.23				VT (N / <1) 0.42 / 0.37			CR 61	
784	141.094/142.094/148.094 HS / Opt 9 (ALU Refo KS/LS/S, Foam): 70/36 / arg / clr / arg / 70/36 (SS/SS/SS) 3/4" IG											
	0.090	0.250	0.090	0.250	0.090			ARG90	0.036(#2) / 0.036(#5)	CL	TS-D	G,S
	U-Factor 0.26			SHGC (<1) 0.23				VT (<1) 0.37			CR 61	
785	141.094/142.094/148.094 HS / Opt 9 (ALU Refo KS/LS/S, Foam): 80/70 / air / clr (SS/SS) 3/4" IG											
	0.090	0.563	0.090					AIR	0.095(#2)	CL	TS-D	N,G,S
	U-Factor 0.34			SHGC (N / <1) 0.51 / 0.46				VT (N / <1) 0.62 / 0.55			CR 53	
	141.094/142.094/148.094 HS / Opt 9 (ALU Refo KS/LS/S, Foam): clr / air / 80/70 (SS/SS) 3/4" IG											
	0.090	0.563	0.090					AIR	0.095(#3)	CL	TS-D	N,G,S
	U-Factor 0.34			SHGC (N / <1) 0.54 / 0.49				VT (N / <1) 0.62 / 0.55			CR 53	
786	141.094/142.094/148.094 HS / Opt 9 (ALU Refo KS/LS/S, Foam): 80/70 / arg / clr (SS/SS) 3/4" IG											
	0.090	0.563	0.090					ARG90	0.095(#2)	CL	TS-D	N,G,S
	U-Factor 0.30			SHGC (N / <1) 0.51 / 0.46				VT (N / <1) 0.62 / 0.55			CR 56	
	141.094/142.094/148.094 HS / Opt 9 (ALU Refo KS/LS/S, Foam): clr / arg / 80/70 (SS/SS) 3/4" IG											
	0.090	0.563	0.090					ARG90	0.095(#3)	CL	TS-D	N,G,S
	U-Factor 0.30			SHGC (N / <1) 0.54 / 0.49				VT (N / <1) 0.62 / 0.55			CR 56	
787	141.094/142.094/148.094 HS / Opt 9 (ALU Refo KS/LS/S, Foam): 80/70 / air / clr (DS/DS) 3/4" IG											
	0.117	0.500	0.117					AIR	0.095(#2)	CL	TS-D	N,G,S
	U-Factor 0.33			SHGC (N / <1) 0.51 / 0.45				VT (N / <1) 0.61 / 0.55			CR 52	
	141.094/142.094/148.094 HS / Opt 9 (ALU Refo KS/LS/S, Foam): clr / air / 80/70 (DS/DS) 3/4" IG											
	0.117	0.500	0.117					AIR	0.095(#3)	CL	TS-D	N,G,S
	U-Factor 0.33			SHGC (N / <1) 0.53 / 0.48				VT (N / <1) 0.61 / 0.55			CR 52	

NFRC 100/200/500 Summary Sheet
Windgate/Belmont/Hawthorne 2-Lite Slider

ID	Pane Thickness 1	Gap Width 1	Pane Thickness 2	Gap Width 2	Pane Thickness 3	Gap Width 3	Pane Thickness 4	Gap Fill	Low-e (Surface#)	Tint	Spacer	Grid Type
	U-Factor			Solar Heat Gain Coefficient (SHGC) Grids (None / <1 / >=1)				Visible Transmittance (VT) Grids (None / <1 / >=1)			Condensation Resistance	
788	141.094/142.094/148.094 HS / Opt 9 (ALU Refo KS/LS/S, Foam): 80/70 / arg / clr (DS/DS) 3/4" IG											
	0.117	0.500	0.117					ARG90	0.095(#2)	CL	TS-D	N,G,S
	U-Factor 0.30			SHGC (N / <1) 0.51 / 0.45				VT (N / <1) 0.61 / 0.55			CR 55	
	141.094/142.094/148.094 HS / Opt 9 (ALU Refo KS/LS/S, Foam): clr / arg / 80/70 (DS/DS) 3/4" IG											
	0.117	0.500	0.117					ARG90	0.095(#3)	CL	TS-D	N,G,S
	U-Factor 0.30			SHGC (N / <1) 0.54 / 0.48				VT (N / <1) 0.61 / 0.55			CR 55	
789	141.094/142.094/148.094 HS / Opt 9 (ALU Refo KS/LS/S, Foam): lami / arg / 80/70 (DS 090 DS/DS) 3/4" IG											
	0.264	0.345	0.117					ARG90	0.095(#3)	CL	TS-D	N,S
	U-Factor 0.32			SHGC (N / <1) 0.49 / 0.44				VT (N / <1) 0.60 / 0.54			CR 53	
	141.094/142.094/148.094 HS / Opt 9 (ALU Refo KS/LS/S, Foam): 80/70 / arg / lami (DS/DS 090 DS) 3/4" IG											
	0.117	0.345	0.264					ARG90	0.095(#2)	CL	TS-D	N,S
	U-Factor 0.32			SHGC (N / <1) 0.50 / 0.45				VT (N / <1) 0.60 / 0.54			CR 53	
790	141.094/142.094/148.094 HS / Opt 9 (ALU Refo KS/LS/S, Foam): lami / arg / 80/70 (DS 090 DS/DS) 3/4" IG											
	0.264	0.345	0.117					ARG90	0.095(#3)	CL	TS-D	G,S
	U-Factor 0.33			SHGC (<1) 0.44				VT (<1) 0.54			CR 53	
	141.094/142.094/148.094 HS / Opt 9 (ALU Refo KS/LS/S, Foam): 80/70 / arg / lami (DS/DS 090 DS) 3/4" IG											
	0.117	0.345	0.264					ARG90	0.095(#2)	CL	TS-D	G,S
	U-Factor 0.33			SHGC (<1) 0.45				VT (<1) 0.54			CR 53	
791	141.094/142.094/148.094 HS / Opt 9 (ALU Refo KS/LS/S, Foam): 80/70 / arg / clr / arg / 80/70 (SS/SS/SS) 3/4" IG											
	0.090	0.250	0.090	0.250	0.090			ARG90	0.095(#2) / 0.095(#5)	CL	TS-D	N,S
	U-Factor 0.26			SHGC (N / <1) 0.45 / 0.41				VT (N / <1) 0.56 / 0.50			CR 61	
792	141.094/142.094/148.094 HS / Opt 9 (ALU Refo KS/LS/S, Foam): 80/70 / arg / clr / arg / 80/70 (SS/SS/SS) 3/4" IG											
	0.090	0.250	0.090	0.250	0.090			ARG90	0.095(#2) / 0.095(#5)	CL	TS-D	G,S
	U-Factor 0.27			SHGC (<1) 0.41				VT (<1) 0.50			CR 61	
793	141.094/142.094/148.094 HS / Opt 10 (Heavy ALU Refo KS/LS/S, Foam): clr / air / clr (SS/SS) 3/4" IG											
	0.087	0.563	0.087					AIR		CL	P1-S	N,G,S
	U-Factor 0.45			SHGC (N / <1) 0.61 / 0.54				VT (N / <1) 0.63 / 0.56			CR 45	
794	141.094/142.094/148.094 HS / Opt 10 (Heavy ALU Refo KS/LS/S, Foam): clr / air / clr (DS/DS) 3/4" IG											
	0.118	0.500	0.118					AIR		CL	P1-S	N,G,S
	U-Factor 0.45			SHGC (N / <1) 0.59 / 0.53				VT (N / <1) 0.62 / 0.56			CR 45	

**NFRC 100/200/500 Summary Sheet
Windgate/Belmont/Hawthorne 2-Lite Slider**

ID	Pane Thickness 1	Gap Width 1	Pane Thickness 2	Gap Width 2	Pane Thickness 3	Gap Width 3	Pane Thickness 4	Gap Width 4	Gap Fill	Low-e (Surface#)	Tint	Spacer	Grid Type
	U-Factor			Solar Heat Gain Coefficient (SHGC) Grids (None / <1 / >=1)					Visible Transmittance (VT) Grids (None / <1 / >=1)			Condensation Resistance	
795	141.094/142.094/148.094 HS / Opt 10 (Heavy ALU Refo KS/LS/S, Foam): clr / air / clr (5mm/DS) 3/4" IG												
	0.185	0.438	0.118						AIR		CL	P1-S	N,G,S
	U-Factor 0.45			SHGC (N / <1) 0.57 / 0.51					VT (N / <1) 0.62 / 0.55			CR 44	
796	141.094/142.094/148.094 HS / Opt 10 (Heavy ALU Refo KS/LS/S, Foam): clr / air / clr (5mm/DS) 3/4" IG												
	0.185	0.438	0.118						AIR		CL	P1-S	G
	U-Factor 0.45			SHGC (<1) 0.51					VT (<1) 0.55			CR 44	
797	141.094/142.094/148.094 HS / Opt 10 (Heavy ALU Refo KS/LS/S, Foam): lami / air / clr (DS 090 DS/DS) 3/4" IG												
	0.264	0.345	0.118						AIR		CL	P1-S	N,S
	U-Factor 0.46			SHGC (N / <1) 0.55 / 0.49					VT (N / <1) 0.61 / 0.55			CR 43	
	141.094/142.094/148.094 HS / Opt 10 (Heavy ALU Refo KS/LS/S, Foam): clr / air / lami (DS/DS 090 DS) 3/4" IG												
	0.118	0.345	0.264						AIR		CL	P1-S	N,S
	U-Factor 0.46			SHGC (N / <1) 0.57 / 0.51					VT (N / <1) 0.61 / 0.55			CR 43	
798	141.094/142.094/148.094 HS / Opt 10 (Heavy ALU Refo KS/LS/S, Foam): lami / air / clr (DS 090 DS/DS) 3/4" IG												
	0.264	0.345	0.118						AIR		CL	P1-S	G,S
	U-Factor 0.47			SHGC (<1) 0.49					VT (<1) 0.55			CR 43	
	141.094/142.094/148.094 HS / Opt 10 (Heavy ALU Refo KS/LS/S, Foam): clr / air / lami (DS/DS 090 DS) 3/4" IG												
	0.118	0.345	0.264						AIR		CL	P1-S	G,S
	U-Factor 0.47			SHGC (<1) 0.51					VT (<1) 0.55			CR 43	
799	141.094/142.094/148.094 HS / Opt 10 (Heavy ALU Refo KS/LS/S, Foam): clr / air / clr / air / clr (SS/SS/SS) 3/4" IG (P1-S)												
	0.087	0.250	0.087	0.250	0.087				AIR		CL	P1-S	N,S
	U-Factor 0.37			SHGC (N / <1) 0.55 / 0.49					VT (N / <1) 0.58 / 0.52			CR 53	
800	141.094/142.094/148.094 HS / Opt 10 (Heavy ALU Refo KS/LS/S, Foam): clr / air / clr / air / clr (SS/SS/SS) 3/4" IG (P1-S)												
	0.087	0.250	0.087	0.250	0.087				AIR		CL	P1-S	G,S
	U-Factor 0.38			SHGC (<1) 0.49					VT (<1) 0.52			CR 53	
801	141.094/142.094/148.094 HS / Opt 10 (Heavy ALU Refo KS/LS/S, Foam): E270 / air / clr (SS/SS) 3/4" IG												
	0.087	0.563	0.087						AIR	0.037(#2)	CL	P1-S	N,G,S
	U-Factor 0.31			SHGC (N / <1) 0.29 / 0.26					VT (N / <1) 0.54 / 0.48			CR 58	
	141.094/142.094/148.094 HS / Opt 10 (Heavy ALU Refo KS/LS/S, Foam): clr / air / E270 (SS/SS) 3/4" IG												
	0.087	0.563	0.087						AIR	0.037(#3)	CL	P1-S	N,G,S
	U-Factor 0.31			SHGC (N / <1) 0.35 / 0.32					VT (N / <1) 0.54 / 0.48			CR 58	

NFRC 100/200/500 Summary Sheet
Windgate/Belmont/Hawthorne 2-Lite Slider

ID	Pane Thickness 1	Gap Width 1	Pane Thickness 2	Gap Width 2	Pane Thickness 3	Gap Width 3	Pane Thickness 4	Gap Fill	Low-e (Surface#)	Tint	Spacer	Grid Type
	U-Factor			Solar Heat Gain Coefficient (SHGC) Grids (None / <1 / >=1)				Visible Transmittance (VT) Grids (None / <1 / >=1)			Condensation Resistance	
802	141.094/142.094/148.094 HS / Opt 10 (Heavy ALU Refo KS/LS/S, Foam): E270 / arg / clr (SS/SS) 3/4" IG											
	0.087	0.563	0.087					ARG90	0.037(#2)	CL	P1-S	N,G,S
	U-Factor 0.28			SHGC (N / <1) 0.28 / 0.26				VT (N / <1) 0.54 / 0.48			CR 62	
	141.094/142.094/148.094 HS / Opt 10 (Heavy ALU Refo KS/LS/S, Foam): clr / arg / E270 (SS/SS) 3/4" IG											
	0.087	0.563	0.087					ARG90	0.037(#3)	CL	P1-S	N,G,S
	U-Factor 0.28			SHGC (N / <1) 0.36 / 0.32				VT (N / <1) 0.54 / 0.48			CR 62	
803	141.094/142.094/148.094 HS / Opt 10 (Heavy ALU Refo KS/LS/S, Foam): E270 / air / clr (DS/DS) 3/4" IG											
	0.118	0.500	0.118					AIR	0.037(#2)	CL	P1-S	N,G,S
	U-Factor 0.31			SHGC (N / <1) 0.29 / 0.26				VT (N / <1) 0.53 / 0.47			CR 57	
	141.094/142.094/148.094 HS / Opt 10 (Heavy ALU Refo KS/LS/S, Foam): clr / air / E270 (DS/DS) 3/4" IG											
	0.118	0.500	0.118					AIR	0.037(#3)	CL	P1-S	N,G,S
	U-Factor 0.31			SHGC (N / <1) 0.35 / 0.31				VT (N / <1) 0.53 / 0.47			CR 57	
804	141.094/142.094/148.094 HS / Opt 10 (Heavy ALU Refo KS/LS/S, Foam): E270 / arg / clr (DS/DS) 3/4" IG											
	0.118	0.500	0.118					ARG90	0.037(#2)	CL	P1-S	N,G,S
	U-Factor 0.27			SHGC (N / <1) 0.28 / 0.25				VT (N / <1) 0.53 / 0.47			CR 61	
	141.094/142.094/148.094 HS / Opt 10 (Heavy ALU Refo KS/LS/S, Foam): clr / arg / E270 (DS/DS) 3/4" IG											
	0.118	0.500	0.118					ARG90	0.037(#3)	CL	P1-S	N,G,S
	U-Factor 0.27			SHGC (N / <1) 0.35 / 0.32				VT (N / <1) 0.53 / 0.47			CR 61	
805	141.094/142.094/148.094 HS / Opt 10 (Heavy ALU Refo KS/LS/S, Foam): lami / arg / E270 (DS 090 DS/DS) 3/4" IG											
	0.264	0.345	0.118					ARG90	0.037(#3)	CL	P1-S	N,S
	U-Factor 0.29			SHGC (N / <1) 0.33 / 0.30				VT (N / <1) 0.52 / 0.47			CR 59	
	141.094/142.094/148.094 HS / Opt 10 (Heavy ALU Refo KS/LS/S, Foam): E270 / arg / lami (DS/DS 090 DS) 3/4" IG											
	0.118	0.345	0.264					ARG90	0.037(#2)	CL	P1-S	N,S
	U-Factor 0.29			SHGC (N / <1) 0.28 / 0.25				VT (N / <1) 0.52 / 0.47			CR 59	
806	141.094/142.094/148.094 HS / Opt 10 (Heavy ALU Refo KS/LS/S, Foam): lami / arg / E270 (DS 090 DS/DS) 3/4" IG											
	0.264	0.345	0.118					ARG90	0.037(#3)	CL	P1-S	G,S
	U-Factor 0.31			SHGC (<1) 0.30				VT (<1) 0.47			CR 59	
	141.094/142.094/148.094 HS / Opt 10 (Heavy ALU Refo KS/LS/S, Foam): E270 / arg / lami (DS/DS 090 DS) 3/4" IG											
	0.118	0.345	0.264					ARG90	0.037(#2)	CL	P1-S	G,S
	U-Factor 0.31			SHGC (<1) 0.25				VT (<1) 0.47			CR 59	

NFRC 100/200/500 Summary Sheet
Windgate/Belmont/Hawthorne 2-Lite Slider

ID	Pane Thickness 1	Gap Width 1	Pane Thickness 2	Gap Width 2	Pane Thickness 3	Gap Width 3	Pane Thickness 4	Gap Fill	Low-e (Surface#)	Tint	Spacer	Grid Type
	U-Factor			Solar Heat Gain Coefficient (SHGC) Grids (None / <1 / >=1)				Visible Transmittance (VT) Grids (None / <1 / >=1)			Condensation Resistance	
807	141.094/142.094/148.094 HS / Opt 10 (Heavy ALU Refo KS/LS/S, Foam): E270 / arg / clr / arg / E270 (SS/SS/SS) 3/4" IG (P1-S)											
	0.087	0.250	0.087	0.250	0.087			ARG90	0.037(#2) / 0.037(#5)	CL	P1-S	N,S
	U-Factor 0.24			SHGC (N / <1) 0.24 / 0.22				VT (N / <1) 0.42 / 0.37			CR 67	
808	141.094/142.094/148.094 HS / Opt 10 (Heavy ALU Refo KS/LS/S, Foam): E270 / arg / clr / arg / E270 (SS/SS/SS) 3/4" IG (P1-S)											
	0.087	0.250	0.087	0.250	0.087			ARG90	0.037(#2) / 0.037(#5)	CL	P1-S	G,S
	U-Factor 0.24			SHGC (<1) 0.22				VT (<1) 0.37			CR 67	
809	141.094/142.094/148.094 HS / Opt 10 (Heavy ALU Refo KS/LS/S, Foam): E366 / air / clr (SS/SS) 3/4" IG											
	0.087	0.563	0.087					AIR	0.022(#2)	CL	P1-S	N,G,S
	U-Factor 0.31			SHGC (N / <1) 0.21 / 0.19				VT (N / <1) 0.50 / 0.44			CR 59	
	141.094/142.094/148.094 HS / Opt 10 (Heavy ALU Refo KS/LS/S, Foam): clr / air / E366 (SS/SS) 3/4" IG											
	0.087	0.563	0.087					AIR	0.022(#3)	CL	P1-S	N,G,S
	U-Factor 0.31			SHGC (N / <1) 0.30 / 0.27				VT (N / <1) 0.50 / 0.44			CR 59	
810	141.094/142.094/148.094 HS / Opt 10 (Heavy ALU Refo KS/LS/S, Foam): E366 / arg / clr (SS/SS) 3/4" IG											
	0.087	0.563	0.087					ARG90	0.022(#2)	CL	P1-S	N,G,S
	U-Factor 0.27			SHGC (N / <1) 0.21 / 0.19				VT (N / <1) 0.50 / 0.44			CR 62	
	141.094/142.094/148.094 HS / Opt 10 (Heavy ALU Refo KS/LS/S, Foam): clr / arg / E366 (SS/SS) 3/4" IG											
	0.087	0.563	0.087					ARG90	0.022(#3)	CL	P1-S	N,G,S
	U-Factor 0.27			SHGC (N / <1) 0.30 / 0.27				VT (N / <1) 0.50 / 0.44			CR 62	
811	141.094/142.094/148.094 HS / Opt 10 (Heavy ALU Refo KS/LS/S, Foam): E366 / air / clr (DS/DS) 3/4" IG											
	0.117	0.500	0.118					AIR	0.022(#2)	CL	P1-S	N,G,S
	U-Factor 0.30			SHGC (N / <1) 0.21 / 0.19				VT (N / <1) 0.49 / 0.44			CR 58	
	141.094/142.094/148.094 HS / Opt 10 (Heavy ALU Refo KS/LS/S, Foam): clr / air / E366 (DS/DS) 3/4" IG											
	0.118	0.500	0.117					AIR	0.022(#3)	CL	P1-S	N,G,S
	U-Factor 0.30			SHGC (N / <1) 0.29 / 0.27				VT (N / <1) 0.49 / 0.44			CR 58	
812	141.094/142.094/148.094 HS / Opt 10 (Heavy ALU Refo KS/LS/S, Foam): E366 / arg / clr (DS/DS) 3/4" IG											
	0.117	0.500	0.118					ARG90	0.022(#2)	CL	P1-S	N,G,S
	U-Factor 0.27			SHGC (N / <1) 0.21 / 0.19				VT (N / <1) 0.49 / 0.44			CR 62	
	141.094/142.094/148.094 HS / Opt 10 (Heavy ALU Refo KS/LS/S, Foam): clr / arg / E366 (DS/DS) 3/4" IG											
	0.118	0.500	0.117					ARG90	0.022(#3)	CL	P1-S	N,G,S
	U-Factor 0.27			SHGC (N / <1) 0.30 / 0.27				VT (N / <1) 0.49 / 0.44			CR 62	

NFRC 100/200/500 Summary Sheet
Windgate/Belmont/Hawthorne 2-Lite Slider

ID	Pane Thickness 1	Gap Width 1	Pane Thickness 2	Gap Width 2	Pane Thickness 3	Gap Width 3	Pane Thickness 4	Gap Fill	Low-e (Surface#)	Tint	Spacer	Grid Type
	U-Factor			Solar Heat Gain Coefficient (SHGC) Grids (None / <1 / >=1)				Visible Transmittance (VT) Grids (None / <1 / >=1)		Condensation Resistance		
813	141.094/142.094/148.094 HS / Opt 10 (Heavy ALU Refo KS/LS/S, Foam): lami / arg / E366 (DS 090 DS/DS) 3/4" IG											
	0.264	0.345	0.117					ARG90	0.022(#3)	CL	P1-S	N,S
	U-Factor 0.29			SHGC (N / <1) 0.29 / 0.26				VT (N / <1) 0.48 / 0.43		CR 59		
	141.094/142.094/148.094 HS / Opt 10 (Heavy ALU Refo KS/LS/S, Foam): E366 / arg / lami (DS/DS 090 DS) 3/4" IG											
	0.117	0.345	0.264					ARG90	0.022(#2)	CL	P1-S	N,S
	U-Factor 0.29			SHGC (N / <1) 0.21 / 0.19				VT (N / <1) 0.48 / 0.43		CR 59		
814	141.094/142.094/148.094 HS / Opt 10 (Heavy ALU Refo KS/LS/S, Foam): lami / arg / E366 (DS 090 DS/DS) 3/4" IG											
	0.264	0.345	0.117					ARG90	0.022(#3)	CL	P1-S	G,S
	U-Factor 0.30			SHGC (<1) 0.26				VT (<1) 0.43		CR 59		
	141.094/142.094/148.094 HS / Opt 10 (Heavy ALU Refo KS/LS/S, Foam): E366 / arg / lami (DS/DS 090 DS) 3/4" IG											
	0.117	0.345	0.264					ARG90	0.022(#2)	CL	P1-S	G,S
	U-Factor 0.30			SHGC (<1) 0.19				VT (<1) 0.43		CR 59		
815	141.094/142.094/148.094 HS / Opt 10 (Heavy ALU Refo KS/LS/S, Foam): E366 / arg / clr / arg / E366 (SS/SS/SS) 3/4" IG (P1-S)											
	0.087	0.250	0.087	0.250	0.087			ARG90	0.022(#2) / 0.022(#5)	CL	P1-S	N,S
	U-Factor 0.23			SHGC (N / <1) 0.19 / 0.17				VT (N / <1) 0.36 / 0.32		CR 67		
816	141.094/142.094/148.094 HS / Opt 10 (Heavy ALU Refo KS/LS/S, Foam): E366 / arg / clr / arg / E366 (SS/SS/SS) 3/4" IG (P1-S)											
	0.087	0.250	0.087	0.250	0.087			ARG90	0.022(#2) / 0.022(#5)	CL	P1-S	G,S
	U-Factor 0.24			SHGC (<1) 0.17				VT (<1) 0.32		CR 67		
817	141.094/142.094/148.094 HS / Opt 10 (Heavy ALU Refo KS/LS/S, Foam): 70/36 / air / clr (SS/SS) 3/4" IG											
	0.090	0.563	0.090					AIR	0.036(#2)	CL	P1-S	N,G,S
	U-Factor 0.31			SHGC (N / <1) 0.30 / 0.27				VT (N / <1) 0.54 / 0.48		CR 58		
	141.094/142.094/148.094 HS / Opt 10 (Heavy ALU Refo KS/LS/S, Foam): clr / air / 70/36 (SS/SS) 3/4" IG											
	0.090	0.563	0.090					AIR	0.036(#3)	CL	P1-S	N,G,S
	U-Factor 0.31			SHGC (N / <1) 0.37 / 0.33				VT (N / <1) 0.54 / 0.48		CR 58		
818	141.094/142.094/148.094 HS / Opt 10 (Heavy ALU Refo KS/LS/S, Foam): 70/36 / arg / clr (SS/SS) 3/4" IG											
	0.090	0.563	0.090					ARG90	0.036(#2)	CL	P1-S	N,G,S
	U-Factor 0.27			SHGC (N / <1) 0.30 / 0.27				VT (N / <1) 0.54 / 0.48		CR 62		
	141.094/142.094/148.094 HS / Opt 10 (Heavy ALU Refo KS/LS/S, Foam): clr / arg / 70/36 (SS/SS) 3/4" IG											
	0.090	0.563	0.090					ARG90	0.036(#3)	CL	P1-S	N,G,S
	U-Factor 0.27			SHGC (N / <1) 0.38 / 0.34				VT (N / <1) 0.54 / 0.48		CR 62		

NFRC 100/200/500 Summary Sheet
Windgate/Belmont/Hawthorne 2-Lite Slider

ID	Pane Thickness 1	Gap Width 1	Pane Thickness 2	Gap Width 2	Pane Thickness 3	Gap Width 3	Pane Thickness 4	Gap Fill	Low-e (Surface#)	Tint	Spacer	Grid Type
	U-Factor			Solar Heat Gain Coefficient (SHGC) Grids (None / <1 / >=1)				Visible Transmittance (VT) Grids (None / <1 / >=1)			Condensation Resistance	
819	141.094/142.094/148.094 HS / Opt 10 (Heavy ALU Refo KS/LS/S, Foam): 70/36 / air / clr (DS/DS) 3/4" IG											
	0.117	0.500	0.117					AIR	0.036(#2)	CL	P1-S	N,G,S
	U-Factor 0.31			SHGC (N / <1) 0.30 / 0.27				VT (N / <1) 0.53 / 0.47			CR 57	
	141.094/142.094/148.094 HS / Opt 10 (Heavy ALU Refo KS/LS/S, Foam): clr / air / 70/36 (DS/DS) 3/4" IG											
	0.117	0.500	0.117					AIR	0.036(#3)	CL	P1-S	N,G,S
	U-Factor 0.31			SHGC (N / <1) 0.37 / 0.33				VT (N / <1) 0.53 / 0.47			CR 57	
820	141.094/142.094/148.094 HS / Opt 10 (Heavy ALU Refo KS/LS/S, Foam): 70/36 / arg / clr (DS/DS) 3/4" IG											
	0.117	0.500	0.117					ARG90	0.036(#2)	CL	P1-S	N,G,S
	U-Factor 0.27			SHGC (N / <1) 0.29 / 0.27				VT (N / <1) 0.53 / 0.47			CR 61	
	141.094/142.094/148.094 HS / Opt 10 (Heavy ALU Refo KS/LS/S, Foam): clr / arg / 70/36 (DS/DS) 3/4" IG											
	0.117	0.500	0.117					ARG90	0.036(#3)	CL	P1-S	N,G,S
	U-Factor 0.27			SHGC (N / <1) 0.37 / 0.33				VT (N / <1) 0.53 / 0.47			CR 61	
821	141.094/142.094/148.094 HS / Opt 10 (Heavy ALU Refo KS/LS/S, Foam): lami / arg / 70/36 (DS 090 DS/DS) 3/4" IG											
	0.264	0.345	0.117					ARG90	0.036(#3)	CL	P1-S	N,S
	U-Factor 0.29			SHGC (N / <1) 0.35 / 0.32				VT (N / <1) 0.52 / 0.47			CR 59	
	141.094/142.094/148.094 HS / Opt 10 (Heavy ALU Refo KS/LS/S, Foam): 70/36 / arg / lami (DS/DS 090 DS) 3/4" IG											
	0.117	0.345	0.264					ARG90	0.036(#2)	CL	P1-S	N,S
	U-Factor 0.29			SHGC (N / <1) 0.29 / 0.26				VT (N / <1) 0.52 / 0.47			CR 59	
822	141.094/142.094/148.094 HS / Opt 10 (Heavy ALU Refo KS/LS/S, Foam): lami / arg / 70/36 (DS 090 DS/DS) 3/4" IG											
	0.264	0.345	0.117					ARG90	0.036(#3)	CL	P1-S	G,S
	U-Factor 0.31			SHGC (<1) 0.32				VT (<1) 0.47			CR 59	
	141.094/142.094/148.094 HS / Opt 10 (Heavy ALU Refo KS/LS/S, Foam): 70/36 / arg / lami (DS/DS 090 DS) 3/4" IG											
	0.117	0.345	0.264					ARG90	0.036(#2)	CL	P1-S	G,S
	U-Factor 0.31			SHGC (<1) 0.26				VT (<1) 0.47			CR 59	
823	141.094/142.094/148.094 HS / Opt 10 (Heavy ALU Refo KS/LS/S, Foam): 70/36 / arg / clr / arg / 70/36 (SS/SS/SS) 3/4" IG											
	0.090	0.250	0.090	0.250	0.090			ARG90	0.036(#2) / 0.036(#5)	CL	P1-S	N,S
	U-Factor 0.24			SHGC (N / <1) 0.26 / 0.23				VT (N / <1) 0.42 / 0.37			CR 67	
824	141.094/142.094/148.094 HS / Opt 10 (Heavy ALU Refo KS/LS/S, Foam): 70/36 / arg / clr / arg / 70/36 (SS/SS/SS) 3/4" IG											
	0.090	0.250	0.090	0.250	0.090			ARG90	0.036(#2) / 0.036(#5)	CL	P1-S	G,S
	U-Factor 0.24			SHGC (<1) 0.23				VT (<1) 0.37			CR 67	

**NFRC 100/200/500 Summary Sheet
Windgate/Belmont/Hawthorne 2-Lite Slider**

ID	Pane Thickness 1	Gap Width 1	Pane Thickness 2	Gap Width 2	Pane Thickness 3	Gap Width 3	Pane Thickness 4	Gap Fill	Low-e (Surface#)	Tint	Spacer	Grid Type
	U-Factor			Solar Heat Gain Coefficient (SHGC) Grids (None / <1 / >=1)				Visible Transmittance (VT) Grids (None / <1 / >=1)			Condensation Resistance	
825	141.094/142.094/148.094 HS / Opt 10 (Heavy ALU Refo KS/LS/S, Foam): 80/70 / air / clr (SS/SS) 3/4" IG											
	0.090	0.563	0.090					AIR	0.095(#2)	CL	P1-S	N,G,S
	U-Factor 0.32			SHGC (N / <1) 0.51 / 0.46				VT (N / <1) 0.62 / 0.55			CR 57	
	141.094/142.094/148.094 HS / Opt 10 (Heavy ALU Refo KS/LS/S, Foam): clr / air / 80/70 (SS/SS) 3/4" IG											
	0.090	0.563	0.090					AIR	0.095(#3)	CL	P1-S	N,G,S
	U-Factor 0.32			SHGC (N / <1) 0.54 / 0.49				VT (N / <1) 0.62 / 0.55			CR 57	
826	141.094/142.094/148.094 HS / Opt 10 (Heavy ALU Refo KS/LS/S, Foam): 80/70 / arg / clr (SS/SS) 3/4" IG											
	0.090	0.563	0.090					ARG90	0.095(#2)	CL	P1-S	N,G,S
	U-Factor 0.29			SHGC (N / <1) 0.51 / 0.46				VT (N / <1) 0.62 / 0.55			CR 60	
	141.094/142.094/148.094 HS / Opt 10 (Heavy ALU Refo KS/LS/S, Foam): clr / arg / 80/70 (SS/SS) 3/4" IG											
	0.090	0.563	0.090					ARG90	0.095(#3)	CL	P1-S	N,G,S
	U-Factor 0.29			SHGC (N / <1) 0.54 / 0.49				VT (N / <1) 0.62 / 0.55			CR 60	
827	141.094/142.094/148.094 HS / Opt 10 (Heavy ALU Refo KS/LS/S, Foam): 80/70 / air / clr (DS/DS) 3/4" IG											
	0.117	0.500	0.117					AIR	0.095(#2)	CL	P1-S	N,G,S
	U-Factor 0.32			SHGC (N / <1) 0.51 / 0.45				VT (N / <1) 0.61 / 0.55			CR 56	
	141.094/142.094/148.094 HS / Opt 10 (Heavy ALU Refo KS/LS/S, Foam): clr / air / 80/70 (DS/DS) 3/4" IG											
	0.117	0.500	0.117					AIR	0.095(#3)	CL	P1-S	N,G,S
	U-Factor 0.32			SHGC (N / <1) 0.53 / 0.48				VT (N / <1) 0.61 / 0.55			CR 56	
828	141.094/142.094/148.094 HS / Opt 10 (Heavy ALU Refo KS/LS/S, Foam): 80/70 / arg / clr (DS/DS) 3/4" IG											
	0.117	0.500	0.117					ARG90	0.095(#2)	CL	P1-S	N,G,S
	U-Factor 0.29			SHGC (N / <1) 0.51 / 0.45				VT (N / <1) 0.61 / 0.55			CR 60	
	141.094/142.094/148.094 HS / Opt 10 (Heavy ALU Refo KS/LS/S, Foam): clr / arg / 80/70 (DS/DS) 3/4" IG											
	0.117	0.500	0.117					ARG90	0.095(#3)	CL	P1-S	N,G,S
	U-Factor 0.29			SHGC (N / <1) 0.54 / 0.48				VT (N / <1) 0.61 / 0.55			CR 60	
829	141.094/142.094/148.094 HS / Opt 10 (Heavy ALU Refo KS/LS/S, Foam): lami / arg / 80/70 (DS 090 DS/DS) 3/4" IG											
	0.264	0.345	0.117					ARG90	0.095(#3)	CL	P1-S	N,S
	U-Factor 0.31			SHGC (N / <1) 0.49 / 0.44				VT (N / <1) 0.60 / 0.54			CR 57	
	141.094/142.094/148.094 HS / Opt 10 (Heavy ALU Refo KS/LS/S, Foam): 80/70 / arg / lami (DS/DS 090 DS) 3/4" IG											
	0.117	0.345	0.264					ARG90	0.095(#2)	CL	P1-S	N,S
	U-Factor 0.31			SHGC (N / <1) 0.50 / 0.45				VT (N / <1) 0.60 / 0.54			CR 57	

NFRC 100/200/500 Summary Sheet
Windgate/Belmont/Hawthorne 2-Lite Slider

ID	Pane Thickness 1	Gap Width 1	Pane Thickness 2	Gap Width 2	Pane Thickness 3	Gap Width 3	Pane Thickness 4	Gap Fill	Low-e (Surface#)	Tint	Spacer	Grid Type
	U-Factor			Solar Heat Gain Coefficient (SHGC) Grids (None / <1 / >=1)				Visible Transmittance (VT) Grids (None / <1 / >=1)			Condensation Resistance	
830	141.094/142.094/148.094 HS / Opt 10 (Heavy ALU Refo KS/LS/S, Foam): lami / arg / 80/70 (DS 090 DS/DS) 3/4" IG											
	0.264	0.345	0.117					ARG90	0.095(#3)	CL	P1-S	G,S
	U-Factor 0.32			SHGC (<1) 0.44				VT (<1) 0.54			CR 57	
	141.094/142.094/148.094 HS / Opt 10 (Heavy ALU Refo KS/LS/S, Foam): 80/70 / arg / lami (DS/DS 090 DS) 3/4" IG											
	0.117	0.345	0.264					ARG90	0.095(#2)	CL	P1-S	G,S
	U-Factor 0.32			SHGC (<1) 0.45				VT (<1) 0.54			CR 57	
831	141.094/142.094/148.094 HS / Opt 10 (Heavy ALU Refo KS/LS/S, Foam): 80/70 / arg / clr / arg / 80/70 (SS/SS/SS) 3/4" IG											
	0.090	0.250	0.090	0.250	0.090			ARG90	0.095(#2) / 0.095(#5)	CL	P1-S	N,S
	U-Factor 0.25			SHGC (N / <1) 0.45 / 0.41				VT (N / <1) 0.56 / 0.50			CR 66	
832	141.094/142.094/148.094 HS / Opt 10 (Heavy ALU Refo KS/LS/S, Foam): 80/70 / arg / clr / arg / 80/70 (SS/SS/SS) 3/4" IG											
	0.090	0.250	0.090	0.250	0.090			ARG90	0.095(#2) / 0.095(#5)	CL	P1-S	G,S
	U-Factor 0.25			SHGC (<1) 0.41				VT (<1) 0.50			CR 66	
833	141.094/142.094/148.094 HS / Opt 10 (Heavy ALU Refo KS/LS/S, Foam): clr / air / clr (SS/SS) 3/4" IG											
	0.087	0.563	0.087					AIR		CL	SS-D	N,G,S
	U-Factor 0.45			SHGC (N / <1) 0.61 / 0.54				VT (N / <1) 0.63 / 0.56			CR 44	
834	141.094/142.094/148.094 HS / Opt 10 (Heavy ALU Refo KS/LS/S, Foam): clr / air / clr (DS/DS) 3/4" IG											
	0.118	0.500	0.118					AIR		CL	SS-D	N,G,S
	U-Factor 0.45			SHGC (N / <1) 0.59 / 0.53				VT (N / <1) 0.62 / 0.56			CR 44	
835	141.094/142.094/148.094 HS / Opt 10 (Heavy ALU Refo KS/LS/S, Foam): clr / air / clr (5mm/DS) 3/4" IG											
	0.185	0.438	0.118					AIR		CL	SS-D	N,G,S
	U-Factor 0.46			SHGC (N / <1) 0.57 / 0.51				VT (N / <1) 0.62 / 0.55			CR 43	
836	141.094/142.094/148.094 HS / Opt 10 (Heavy ALU Refo KS/LS/S, Foam): clr / air / clr (5mm/DS) 3/4" IG											
	0.185	0.438	0.118					AIR		CL	SS-D	G
	U-Factor 0.46			SHGC (<1) 0.51				VT (<1) 0.55			CR 43	
837	141.094/142.094/148.094 HS / Opt 10 (Heavy ALU Refo KS/LS/S, Foam): lami / air / clr (DS 090 DS/DS) 3/4" IG											
	0.264	0.345	0.118					AIR		CL	SS-D	N,S
	U-Factor 0.47			SHGC (N / <1) 0.55 / 0.49				VT (N / <1) 0.61 / 0.55			CR 42	
	141.094/142.094/148.094 HS / Opt 10 (Heavy ALU Refo KS/LS/S, Foam): clr / air / lami (DS/DS 090 DS) 3/4" IG											
	0.118	0.345	0.264					AIR		CL	SS-D	N,S
	U-Factor 0.47			SHGC (N / <1) 0.57 / 0.51				VT (N / <1) 0.61 / 0.55			CR 42	

NFRC 100/200/500 Summary Sheet
Windgate/Belmont/Hawthorne 2-Lite Slider

ID	Pane Thickness 1	Gap Width 1	Pane Thickness 2	Gap Width 2	Pane Thickness 3	Gap Width 3	Pane Thickness 4	Gap Fill	Low-e (Surface#)	Tint	Spacer	Grid Type
	U-Factor			Solar Heat Gain Coefficient (SHGC) Grids (None / <1 / >=1)				Visible Transmittance (VT) Grids (None / <1 / >=1)			Condensation Resistance	
838	141.094/142.094/148.094 HS / Opt 10 (Heavy ALU Refo KS/LS/S, Foam): lami / air / clr (DS 090 DS/DS) 3/4" IG											
	0.264	0.345	0.118					AIR		CL	SS-D	G,S
	U-Factor 0.47			SHGC (<1) 0.49				VT (<1) 0.55			CR 42	
	141.094/142.094/148.094 HS / Opt 10 (Heavy ALU Refo KS/LS/S, Foam): clr / air / lami (DS/DS 090 DS) 3/4" IG											
	0.118	0.345	0.264					AIR		CL	SS-D	G,S
	U-Factor 0.47			SHGC (<1) 0.51				VT (<1) 0.55			CR 42	
839	141.094/142.094/148.094 HS / Opt 10 (Heavy ALU Refo KS/LS/S, Foam): clr / air / clr / air / clr (SS/SS/SS) 3/4" IG (P1-S)											
	0.087	0.250	0.087	0.250	0.087			AIR		CL	SS-D	N,S
	U-Factor 0.37			SHGC (N / <1) 0.55 / 0.49				VT (N / <1) 0.58 / 0.52			CR 52	
840	141.094/142.094/148.094 HS / Opt 10 (Heavy ALU Refo KS/LS/S, Foam): clr / air / clr / air / clr (SS/SS/SS) 3/4" IG (P1-S)											
	0.087	0.250	0.087	0.250	0.087			AIR		CL	SS-D	G,S
	U-Factor 0.38			SHGC (<1) 0.49				VT (<1) 0.52			CR 52	
841	141.094/142.094/148.094 HS / Opt 10 (Heavy ALU Refo KS/LS/S, Foam): E270 / air / clr (SS/SS) 3/4" IG											
	0.087	0.563	0.087					AIR	0.037(#2)	CL	SS-D	N,G,S
	U-Factor 0.32			SHGC (N / <1) 0.29 / 0.26				VT (N / <1) 0.54 / 0.48			CR 55	
	141.094/142.094/148.094 HS / Opt 10 (Heavy ALU Refo KS/LS/S, Foam): clr / air / E270 (SS/SS) 3/4" IG											
	0.087	0.563	0.087					AIR	0.037(#3)	CL	SS-D	N,G,S
	U-Factor 0.32			SHGC (N / <1) 0.35 / 0.32				VT (N / <1) 0.54 / 0.48			CR 55	
842	141.094/142.094/148.094 HS / Opt 10 (Heavy ALU Refo KS/LS/S, Foam): E270 / arg / clr (SS/SS) 3/4" IG											
	0.087	0.563	0.087					ARG90	0.037(#2)	CL	SS-D	N,G,S
	U-Factor 0.29			SHGC (N / <1) 0.28 / 0.26				VT (N / <1) 0.54 / 0.48			CR 59	
	141.094/142.094/148.094 HS / Opt 10 (Heavy ALU Refo KS/LS/S, Foam): clr / arg / E270 (SS/SS) 3/4" IG											
	0.087	0.563	0.087					ARG90	0.037(#3)	CL	SS-D	N,G,S
	U-Factor 0.29			SHGC (N / <1) 0.36 / 0.32				VT (N / <1) 0.54 / 0.48			CR 59	
843	141.094/142.094/148.094 HS / Opt 10 (Heavy ALU Refo KS/LS/S, Foam): E270 / air / clr (DS/DS) 3/4" IG											
	0.118	0.500	0.118					AIR	0.037(#2)	CL	SS-D	N,G,S
	U-Factor 0.32			SHGC (N / <1) 0.29 / 0.26				VT (N / <1) 0.53 / 0.47			CR 55	
	141.094/142.094/148.094 HS / Opt 10 (Heavy ALU Refo KS/LS/S, Foam): clr / air / E270 (DS/DS) 3/4" IG											
	0.118	0.500	0.118					AIR	0.037(#3)	CL	SS-D	N,G,S
	U-Factor 0.32			SHGC (N / <1) 0.35 / 0.31				VT (N / <1) 0.53 / 0.47			CR 55	

NFRC 100/200/500 Summary Sheet
Windgate/Belmont/Hawthorne 2-Lite Slider

ID	Pane Thickness 1	Gap Width 1	Pane Thickness 2	Gap Width 2	Pane Thickness 3	Gap Width 3	Pane Thickness 4	Gap Width 4	Gap Fill	Low-e (Surface#)	Tint	Spacer	Grid Type
	U-Factor			Solar Heat Gain Coefficient (SHGC) Grids (None / <1 / >=1)				Visible Transmittance (VT) Grids (None / <1 / >=1)			Condensation Resistance		
844	141.094/142.094/148.094 HS / Opt 10 (Heavy ALU Refo KS/LS/S, Foam): E270 / arg / clr (DS/DS) 3/4" IG												
	0.118	0.500	0.118						ARG90	0.037(#2)	CL	SS-D	N,G,S
	U-Factor 0.28			SHGC (N / <1) 0.28 / 0.25				VT (N / <1) 0.53 / 0.47			CR 58		
	141.094/142.094/148.094 HS / Opt 10 (Heavy ALU Refo KS/LS/S, Foam): clr / arg / E270 (DS/DS) 3/4" IG												
	0.118	0.500	0.118						ARG90	0.037(#3)	CL	SS-D	N,G,S
	U-Factor 0.28			SHGC (N / <1) 0.35 / 0.32				VT (N / <1) 0.53 / 0.47			CR 58		
845	141.094/142.094/148.094 HS / Opt 10 (Heavy ALU Refo KS/LS/S, Foam): lami / arg / E270 (DS 090 DS/DS) 3/4" IG												
	0.264	0.345	0.118						ARG90	0.037(#3)	CL	SS-D	N,S
	U-Factor 0.30			SHGC (N / <1) 0.33 / 0.30				VT (N / <1) 0.52 / 0.47			CR 56		
	141.094/142.094/148.094 HS / Opt 10 (Heavy ALU Refo KS/LS/S, Foam): E270 / arg / lami (DS/DS 090 DS) 3/4" IG												
	0.118	0.345	0.264						ARG90	0.037(#2)	CL	SS-D	N,S
	U-Factor 0.30			SHGC (N / <1) 0.28 / 0.25				VT (N / <1) 0.52 / 0.47			CR 56		
846	141.094/142.094/148.094 HS / Opt 10 (Heavy ALU Refo KS/LS/S, Foam): lami / arg / E270 (DS 090 DS/DS) 3/4" IG												
	0.264	0.345	0.118						ARG90	0.037(#3)	CL	SS-D	G,S
	U-Factor 0.31			SHGC (<1) 0.30				VT (<1) 0.47			CR 56		
	141.094/142.094/148.094 HS / Opt 10 (Heavy ALU Refo KS/LS/S, Foam): E270 / arg / lami (DS/DS 090 DS) 3/4" IG												
	0.118	0.345	0.264						ARG90	0.037(#2)	CL	SS-D	G,S
	U-Factor 0.31			SHGC (<1) 0.25				VT (<1) 0.47			CR 56		
847	141.094/142.094/148.094 HS / Opt 10 (Heavy ALU Refo KS/LS/S, Foam): E270 / arg / clr / arg / E270 (SS/SS/SS) 3/4" IG (SS-D)												
	0.087	0.266	0.087	0.266	0.087				ARG90	0.037(#2) / 0.037(#5)	CL	SS-D	N,S
	U-Factor 0.24			SHGC (N / <1) 0.24 / 0.22				VT (N / <1) 0.42 / 0.37			CR 65		
848	141.094/142.094/148.094 HS / Opt 10 (Heavy ALU Refo KS/LS/S, Foam): E270 / arg / clr / arg / E270 (SS/SS/SS) 3/4" IG (SS-D)												
	0.087	0.266	0.087	0.266	0.087				ARG90	0.037(#2) / 0.037(#5)	CL	SS-D	G,S
	U-Factor 0.24			SHGC (<1) 0.22				VT (<1) 0.37			CR 65		
849	141.094/142.094/148.094 HS / Opt 10 (Heavy ALU Refo KS/LS/S, Foam): E366 / air / clr (SS/SS) 3/4" IG												
	0.087	0.563	0.087						AIR	0.022(#2)	CL	SS-D	N,G,S
	U-Factor 0.32			SHGC (N / <1) 0.21 / 0.19				VT (N / <1) 0.50 / 0.44			CR 56		
	141.094/142.094/148.094 HS / Opt 10 (Heavy ALU Refo KS/LS/S, Foam): clr / air / E366 (SS/SS) 3/4" IG												
	0.087	0.563	0.087						AIR	0.022(#3)	CL	SS-D	N,G,S
	U-Factor 0.32			SHGC (N / <1) 0.30 / 0.27				VT (N / <1) 0.50 / 0.44			CR 56		

**NFRC 100/200/500 Summary Sheet
Windgate/Belmont/Hawthorne 2-Lite Slider**

ID	Pane Thickness 1	Gap Width 1	Pane Thickness 2	Gap Width 2	Pane Thickness 3	Gap Width 3	Pane Thickness 4	Gap Fill	Low-e (Surface#)	Tint	Spacer	Grid Type
	U-Factor			Solar Heat Gain Coefficient (SHGC) Grids (None / <1 / >=1)				Visible Transmittance (VT) Grids (None / <1 / >=1)			Condensation Resistance	
850	141.094/142.094/148.094 HS / Opt 10 (Heavy ALU Refo KS/LS/S, Foam): E366 / arg / clr (SS/SS) 3/4" IG											
	0.087	0.563	0.087					ARG90	0.022(#2)	CL	SS-D	N,G,S
	U-Factor 0.28			SHGC (N / <1) 0.21 / 0.19				VT (N / <1) 0.50 / 0.44			CR 59	
	141.094/142.094/148.094 HS / Opt 10 (Heavy ALU Refo KS/LS/S, Foam): clr / arg / E366 (SS/SS) 3/4" IG											
	0.087	0.563	0.087					ARG90	0.022(#3)	CL	SS-D	N,G,S
	U-Factor 0.28			SHGC (N / <1) 0.30 / 0.27				VT (N / <1) 0.50 / 0.44			CR 59	
851	141.094/142.094/148.094 HS / Opt 10 (Heavy ALU Refo KS/LS/S, Foam): E366 / air / clr (DS/DS) 3/4" IG											
	0.117	0.500	0.118					AIR	0.022(#2)	CL	SS-D	N,G,S
	U-Factor 0.31			SHGC (N / <1) 0.21 / 0.19				VT (N / <1) 0.49 / 0.44			CR 55	
	141.094/142.094/148.094 HS / Opt 10 (Heavy ALU Refo KS/LS/S, Foam): clr / air / E366 (DS/DS) 3/4" IG											
	0.118	0.500	0.117					AIR	0.022(#3)	CL	SS-D	N,G,S
	U-Factor 0.31			SHGC (N / <1) 0.29 / 0.27				VT (N / <1) 0.49 / 0.44			CR 55	
852	141.094/142.094/148.094 HS / Opt 10 (Heavy ALU Refo KS/LS/S, Foam): E366 / arg / clr (DS/DS) 3/4" IG											
	0.117	0.500	0.118					ARG90	0.022(#2)	CL	SS-D	N,G,S
	U-Factor 0.28			SHGC (N / <1) 0.21 / 0.19				VT (N / <1) 0.49 / 0.44			CR 59	
	141.094/142.094/148.094 HS / Opt 10 (Heavy ALU Refo KS/LS/S, Foam): clr / arg / E366 (DS/DS) 3/4" IG											
	0.118	0.500	0.117					ARG90	0.022(#3)	CL	SS-D	N,G,S
	U-Factor 0.28			SHGC (N / <1) 0.30 / 0.27				VT (N / <1) 0.49 / 0.44			CR 59	
853	141.094/142.094/148.094 HS / Opt 10 (Heavy ALU Refo KS/LS/S, Foam): lami / arg / E366 (DS 090 DS/DS) 3/4" IG											
	0.264	0.345	0.117					ARG90	0.022(#3)	CL	SS-D	N,S
	U-Factor 0.30			SHGC (N / <1) 0.29 / 0.26				VT (N / <1) 0.48 / 0.43			CR 56	
	141.094/142.094/148.094 HS / Opt 10 (Heavy ALU Refo KS/LS/S, Foam): E366 / arg / lami (DS/DS 090 DS) 3/4" IG											
	0.117	0.345	0.264					ARG90	0.022(#2)	CL	SS-D	N,S
	U-Factor 0.30			SHGC (N / <1) 0.21 / 0.19				VT (N / <1) 0.48 / 0.43			CR 56	
854	141.094/142.094/148.094 HS / Opt 10 (Heavy ALU Refo KS/LS/S, Foam): lami / arg / E366 (DS 090 DS/DS) 3/4" IG											
	0.264	0.345	0.117					ARG90	0.022(#3)	CL	SS-D	G,S
	U-Factor 0.31			SHGC (<1) 0.26				VT (<1) 0.43			CR 56	
	141.094/142.094/148.094 HS / Opt 10 (Heavy ALU Refo KS/LS/S, Foam): E366 / arg / lami (DS/DS 090 DS) 3/4" IG											
	0.117	0.345	0.264					ARG90	0.022(#2)	CL	SS-D	G,S
	U-Factor 0.31			SHGC (<1) 0.19				VT (<1) 0.43			CR 56	

NFRC 100/200/500 Summary Sheet
Windgate/Belmont/Hawthorne 2-Lite Slider

ID	Pane Thickness 1	Gap Width 1	Pane Thickness 2	Gap Width 2	Pane Thickness 3	Gap Width 3	Pane Thickness 4	Gap Fill	Low-e (Surface#)	Tint	Spacer	Grid Type
	U-Factor			Solar Heat Gain Coefficient (SHGC) Grids (None / <1 / >=1)				Visible Transmittance (VT) Grids (None / <1 / >=1)			Condensation Resistance	
855	141.094/142.094/148.094 HS / Opt 10 (Heavy ALU Refo KS/LS/S, Foam): E366 / arg / clr / arg / E366 (SS/SS/SS) 3/4" IG (SS-D)											
	0.087	0.266	0.087	0.266	0.087			ARG90	0.022(#2) / 0.022(#5)	CL	SS-D	N,S
	U-Factor 0.23			SHGC (N / <1) 0.19 / 0.17				VT (N / <1) 0.36 / 0.32			CR 65	
856	141.094/142.094/148.094 HS / Opt 10 (Heavy ALU Refo KS/LS/S, Foam): E366 / arg / clr / arg / E366 (SS/SS/SS) 3/4" IG (SS-D)											
	0.087	0.266	0.087	0.266	0.087			ARG90	0.022(#2) / 0.022(#5)	CL	SS-D	G,S
	U-Factor 0.24			SHGC (<1) 0.17				VT (<1) 0.32			CR 65	
857	141.094/142.094/148.094 HS / Opt 10 (Heavy ALU Refo KS/LS/S, Foam): clr / air / clr (SS/SS) 3/4" IG											
	0.087	0.563	0.087					AIR		CL	TS-D	N,G,S
	U-Factor 0.45			SHGC (N / <1) 0.61 / 0.54				VT (N / <1) 0.63 / 0.56			CR 44	
858	141.094/142.094/148.094 HS / Opt 10 (Heavy ALU Refo KS/LS/S, Foam): clr / air / clr (DS/DS) 3/4" IG											
	0.118	0.500	0.118					AIR		CL	TS-D	N,G,S
	U-Factor 0.45			SHGC (N / <1) 0.59 / 0.53				VT (N / <1) 0.62 / 0.56			CR 43	
859	141.094/142.094/148.094 HS / Opt 10 (Heavy ALU Refo KS/LS/S, Foam): clr / air / clr (5mm/DS) 3/4" IG											
	0.185	0.438	0.118					AIR		CL	TS-D	N,G,S
	U-Factor 0.46			SHGC (N / <1) 0.57 / 0.51				VT (N / <1) 0.62 / 0.55			CR 42	
860	141.094/142.094/148.094 HS / Opt 10 (Heavy ALU Refo KS/LS/S, Foam): clr / air / clr (5mm/DS) 3/4" IG											
	0.185	0.438	0.118					AIR		CL	TS-D	G
	U-Factor 0.46			SHGC (<1) 0.51				VT (<1) 0.55			CR 42	
861	141.094/142.094/148.094 HS / Opt 10 (Heavy ALU Refo KS/LS/S, Foam): lami / air / clr (DS 090 DS/DS) 3/4" IG											
	0.264	0.345	0.118					AIR		CL	TS-D	N,S
	U-Factor 0.47			SHGC (N / <1) 0.55 / 0.49				VT (N / <1) 0.61 / 0.55			CR 42	
	141.094/142.094/148.094 HS / Opt 10 (Heavy ALU Refo KS/LS/S, Foam): clr / air / lami (DS/DS 090 DS) 3/4" IG											
	0.118	0.345	0.264					AIR		CL	TS-D	N,S
	U-Factor 0.47			SHGC (N / <1) 0.57 / 0.51				VT (N / <1) 0.61 / 0.55			CR 42	
862	141.094/142.094/148.094 HS / Opt 10 (Heavy ALU Refo KS/LS/S, Foam): lami / air / clr (DS 090 DS/DS) 3/4" IG											
	0.264	0.345	0.118					AIR		CL	TS-D	G,S
	U-Factor 0.48			SHGC (<1) 0.49				VT (<1) 0.55			CR 42	
	141.094/142.094/148.094 HS / Opt 10 (Heavy ALU Refo KS/LS/S, Foam): clr / air / lami (DS/DS 090 DS) 3/4" IG											
	0.118	0.345	0.264					AIR		CL	TS-D	G,S
	U-Factor 0.48			SHGC (<1) 0.51				VT (<1) 0.55			CR 42	

NFRC 100/200/500 Summary Sheet
Windgate/Belmont/Hawthorne 2-Lite Slider

ID	Pane Thickness 1	Gap Width 1	Pane Thickness 2	Gap Width 2	Pane Thickness 3	Gap Width 3	Pane Thickness 4	Gap Fill	Low-e (Surface#)	Tint	Spacer	Grid Type
	U-Factor			Solar Heat Gain Coefficient (SHGC) Grids (None / <1 / >=1)				Visible Transmittance (VT) Grids (None / <1 / >=1)			Condensation Resistance	
863	141.094/142.094/148.094 HS / Opt 10 (Heavy ALU Refo KS/LS/S, Foam): clr / air / clr / air / clr (SS/SS/SS) 3/4" IG (P1-S)											
	0.087	0.250	0.087	0.250	0.087			AIR		CL	TS-D	N,S
	U-Factor 0.38			SHGC (N / <1) 0.55 / 0.49				VT (N / <1) 0.58 / 0.52			CR 50	
864	141.094/142.094/148.094 HS / Opt 10 (Heavy ALU Refo KS/LS/S, Foam): clr / air / clr / air / clr (SS/SS/SS) 3/4" IG (P1-S)											
	0.087	0.250	0.087	0.250	0.087			AIR		CL	TS-D	G,S
	U-Factor 0.39			SHGC (<1) 0.49				VT (<1) 0.52			CR 50	
865	141.094/142.094/148.094 HS / Opt 10 (Heavy ALU Refo KS/LS/S, Foam): 70/36 / air / clr (SS/SS) 3/4" IG											
	0.090	0.563	0.090					AIR	0.036(#2)	CL	TS-D	N,G,S
	U-Factor 0.32			SHGC (N / <1) 0.30 / 0.27				VT (N / <1) 0.54 / 0.48			CR 54	
	141.094/142.094/148.094 HS / Opt 10 (Heavy ALU Refo KS/LS/S, Foam): clr / air / 70/36 (SS/SS) 3/4" IG											
	0.090	0.563	0.090					AIR	0.036(#3)	CL	TS-D	N,G,S
	U-Factor 0.32			SHGC (N / <1) 0.37 / 0.33				VT (N / <1) 0.54 / 0.48			CR 54	
866	141.094/142.094/148.094 HS / Opt 10 (Heavy ALU Refo KS/LS/S, Foam): 70/36 / arg / clr (SS/SS) 3/4" IG											
	0.090	0.563	0.090					ARG90	0.036(#2)	CL	TS-D	N,G,S
	U-Factor 0.29			SHGC (N / <1) 0.30 / 0.27				VT (N / <1) 0.54 / 0.48			CR 57	
	141.094/142.094/148.094 HS / Opt 10 (Heavy ALU Refo KS/LS/S, Foam): clr / arg / 70/36 (SS/SS) 3/4" IG											
	0.090	0.563	0.090					ARG90	0.036(#3)	CL	TS-D	N,G,S
	U-Factor 0.29			SHGC (N / <1) 0.38 / 0.34				VT (N / <1) 0.54 / 0.48			CR 57	
867	141.094/142.094/148.094 HS / Opt 10 (Heavy ALU Refo KS/LS/S, Foam): 70/36 / air / clr (DS/DS) 3/4" IG											
	0.117	0.500	0.117					AIR	0.036(#2)	CL	TS-D	N,G,S
	U-Factor 0.32			SHGC (N / <1) 0.30 / 0.27				VT (N / <1) 0.53 / 0.47			CR 53	
	141.094/142.094/148.094 HS / Opt 10 (Heavy ALU Refo KS/LS/S, Foam): clr / air / 70/36 (DS/DS) 3/4" IG											
	0.117	0.500	0.117					AIR	0.036(#3)	CL	TS-D	N,G,S
	U-Factor 0.32			SHGC (N / <1) 0.37 / 0.33				VT (N / <1) 0.53 / 0.47			CR 53	
868	141.094/142.094/148.094 HS / Opt 10 (Heavy ALU Refo KS/LS/S, Foam): 70/36 / arg / clr (DS/DS) 3/4" IG											
	0.117	0.500	0.117					ARG90	0.036(#2)	CL	TS-D	N,G,S
	U-Factor 0.29			SHGC (N / <1) 0.29 / 0.27				VT (N / <1) 0.53 / 0.47			CR 56	
	141.094/142.094/148.094 HS / Opt 10 (Heavy ALU Refo KS/LS/S, Foam): clr / arg / 70/36 (DS/DS) 3/4" IG											
	0.117	0.500	0.117					ARG90	0.036(#3)	CL	TS-D	N,G,S
	U-Factor 0.29			SHGC (N / <1) 0.37 / 0.33				VT (N / <1) 0.53 / 0.47			CR 56	

NFRC 100/200/500 Summary Sheet
Windgate/Belmont/Hawthorne 2-Lite Slider

ID	Pane Thickness 1	Gap Width 1	Pane Thickness 2	Gap Width 2	Pane Thickness 3	Gap Width 3	Pane Thickness 4	Gap Fill	Low-e (Surface#)	Tint	Spacer	Grid Type
	U-Factor			Solar Heat Gain Coefficient (SHGC) Grids (None / <1 / >=1)				Visible Transmittance (VT) Grids (None / <1 / >=1)			Condensation Resistance	
869	141.094/142.094/148.094 HS / Opt 10 (Heavy ALU Refo KS/LS/S, Foam): lami / arg / 70/36 (DS 090 DS/DS) 3/4" IG											
	0.264	0.345	0.117					ARG90	0.036(#3)	CL	TS-D	N,S
	U-Factor 0.30			SHGC (N / <1) 0.35 / 0.32				VT (N / <1) 0.52 / 0.47			CR 55	
	141.094/142.094/148.094 HS / Opt 10 (Heavy ALU Refo KS/LS/S, Foam): 70/36 / arg / lami (DS/DS 090 DS) 3/4" IG											
	0.117	0.345	0.264					ARG90	0.036(#2)	CL	TS-D	N,S
	U-Factor 0.30			SHGC (N / <1) 0.29 / 0.26				VT (N / <1) 0.52 / 0.47			CR 55	
870	141.094/142.094/148.094 HS / Opt 10 (Heavy ALU Refo KS/LS/S, Foam): lami / arg / 70/36 (DS 090 DS/DS) 3/4" IG											
	0.264	0.345	0.117					ARG90	0.036(#3)	CL	TS-D	G,S
	U-Factor 0.32			SHGC (<1) 0.32				VT (<1) 0.47			CR 55	
	141.094/142.094/148.094 HS / Opt 10 (Heavy ALU Refo KS/LS/S, Foam): 70/36 / arg / lami (DS/DS 090 DS) 3/4" IG											
	0.117	0.345	0.264					ARG90	0.036(#2)	CL	TS-D	G,S
	U-Factor 0.32			SHGC (<1) 0.26				VT (<1) 0.47			CR 55	
871	141.094/142.094/148.094 HS / Opt 10 (Heavy ALU Refo KS/LS/S, Foam): 70/36 / arg / clr / arg / 70/36 (SS/SS/SS) 3/4" IG											
	0.090	0.250	0.090	0.250	0.090			ARG90	0.036(#2) / 0.036(#5)	CL	TS-D	N,S
	U-Factor 0.25			SHGC (N / <1) 0.26 / 0.23				VT (N / <1) 0.42 / 0.37			CR 62	
872	141.094/142.094/148.094 HS / Opt 10 (Heavy ALU Refo KS/LS/S, Foam): 70/36 / arg / clr / arg / 70/36 (SS/SS/SS) 3/4" IG											
	0.090	0.250	0.090	0.250	0.090			ARG90	0.036(#2) / 0.036(#5)	CL	TS-D	G,S
	U-Factor 0.26			SHGC (<1) 0.23				VT (<1) 0.37			CR 62	
873	141.094/142.094/148.094 HS / Opt 10 (Heavy ALU Refo KS/LS/S, Foam): 80/70 / air / clr (SS/SS) 3/4" IG											
	0.090	0.563	0.090					AIR	0.095(#2)	CL	TS-D	N,G,S
	U-Factor 0.34			SHGC (N / <1) 0.51 / 0.46				VT (N / <1) 0.62 / 0.55			CR 53	
	141.094/142.094/148.094 HS / Opt 10 (Heavy ALU Refo KS/LS/S, Foam): clr / air / 80/70 (SS/SS) 3/4" IG											
	0.090	0.563	0.090					AIR	0.095(#3)	CL	TS-D	N,G,S
	U-Factor 0.34			SHGC (N / <1) 0.54 / 0.49				VT (N / <1) 0.62 / 0.55			CR 53	
874	141.094/142.094/148.094 HS / Opt 10 (Heavy ALU Refo KS/LS/S, Foam): 80/70 / arg / clr (SS/SS) 3/4" IG											
	0.090	0.563	0.090					ARG90	0.095(#2)	CL	TS-D	N,G,S
	U-Factor 0.30			SHGC (N / <1) 0.51 / 0.46				VT (N / <1) 0.62 / 0.55			CR 56	
	141.094/142.094/148.094 HS / Opt 10 (Heavy ALU Refo KS/LS/S, Foam): clr / arg / 80/70 (SS/SS) 3/4" IG											
	0.090	0.563	0.090					ARG90	0.095(#3)	CL	TS-D	N,G,S
	U-Factor 0.30			SHGC (N / <1) 0.54 / 0.49				VT (N / <1) 0.62 / 0.55			CR 56	

NFRC 100/200/500 Summary Sheet
Windgate/Belmont/Hawthorne 2-Lite Slider

ID	Pane Thickness 1	Gap Width 1	Pane Thickness 2	Gap Width 2	Pane Thickness 3	Gap Width 3	Pane Thickness 4	Gap Fill	Low-e (Surface#)	Tint	Spacer	Grid Type
	U-Factor			Solar Heat Gain Coefficient (SHGC) Grids (None / <1 / >=1)				Visible Transmittance (VT) Grids (None / <1 / >=1)			Condensation Resistance	
875	141.094/142.094/148.094 HS / Opt 10 (Heavy ALU Refo KS/LS/S, Foam): 80/70 / air / clr (DS/DS) 3/4" IG											
	0.117	0.500	0.117					AIR	0.095(#2)	CL	TS-D	N,G,S
	U-Factor 0.33			SHGC (N / <1) 0.51 / 0.45				VT (N / <1) 0.61 / 0.55			CR 52	
	141.094/142.094/148.094 HS / Opt 10 (Heavy ALU Refo KS/LS/S, Foam): clr / air / 80/70 (DS/DS) 3/4" IG											
	0.117	0.500	0.117					AIR	0.095(#3)	CL	TS-D	N,G,S
	U-Factor 0.33			SHGC (N / <1) 0.53 / 0.48				VT (N / <1) 0.61 / 0.55			CR 52	
876	141.094/142.094/148.094 HS / Opt 10 (Heavy ALU Refo KS/LS/S, Foam): 80/70 / arg / clr (DS/DS) 3/4" IG											
	0.117	0.500	0.117					ARG90	0.095(#2)	CL	TS-D	N,G,S
	U-Factor 0.30			SHGC (N / <1) 0.51 / 0.45				VT (N / <1) 0.61 / 0.55			CR 55	
	141.094/142.094/148.094 HS / Opt 10 (Heavy ALU Refo KS/LS/S, Foam): clr / arg / 80/70 (DS/DS) 3/4" IG											
	0.117	0.500	0.117					ARG90	0.095(#3)	CL	TS-D	N,G,S
	U-Factor 0.30			SHGC (N / <1) 0.54 / 0.48				VT (N / <1) 0.61 / 0.55			CR 55	
877	141.094/142.094/148.094 HS / Opt 10 (Heavy ALU Refo KS/LS/S, Foam): lami / arg / 80/70 (DS 090 DS/DS) 3/4" IG											
	0.264	0.345	0.117					ARG90	0.095(#3)	CL	TS-D	N,S
	U-Factor 0.32			SHGC (N / <1) 0.49 / 0.44				VT (N / <1) 0.60 / 0.54			CR 54	
	141.094/142.094/148.094 HS / Opt 10 (Heavy ALU Refo KS/LS/S, Foam): 80/70 / arg / lami (DS/DS 090 DS) 3/4" IG											
	0.117	0.345	0.264					ARG90	0.095(#2)	CL	TS-D	N,S
	U-Factor 0.32			SHGC (N / <1) 0.50 / 0.45				VT (N / <1) 0.60 / 0.54			CR 54	
878	141.094/142.094/148.094 HS / Opt 10 (Heavy ALU Refo KS/LS/S, Foam): lami / arg / 80/70 (DS 090 DS/DS) 3/4" IG											
	0.264	0.345	0.117					ARG90	0.095(#3)	CL	TS-D	G,S
	U-Factor 0.33			SHGC (<1) 0.44				VT (<1) 0.54			CR 54	
	141.094/142.094/148.094 HS / Opt 10 (Heavy ALU Refo KS/LS/S, Foam): 80/70 / arg / lami (DS/DS 090 DS) 3/4" IG											
	0.117	0.345	0.264					ARG90	0.095(#2)	CL	TS-D	G,S
	U-Factor 0.33			SHGC (<1) 0.45				VT (<1) 0.54			CR 54	
879	141.094/142.094/148.094 HS / Opt 10 (Heavy ALU Refo KS/LS/S, Foam): 80/70 / arg / clr / arg / 80/70 (SS/SS/SS) 3/4" IG											
	0.090	0.250	0.090	0.250	0.090			ARG90	0.095(#2) / 0.095(#5)	CL	TS-D	N,S
	U-Factor 0.26			SHGC (N / <1) 0.45 / 0.41				VT (N / <1) 0.56 / 0.50			CR 61	
880	141.094/142.094/148.094 HS / Opt 10 (Heavy ALU Refo KS/LS/S, Foam): 80/70 / arg / clr / arg / 80/70 (SS/SS/SS) 3/4" IG											
	0.090	0.250	0.090	0.250	0.090			ARG90	0.095(#2) / 0.095(#5)	CL	TS-D	G,S
	U-Factor 0.27			SHGC (<1) 0.41				VT (<1) 0.50			CR 61	

**NFRC 100/200/500 Summary Sheet
Windgate/Belmont/Hawthorne 2-Lite Slider**

ID	Pane Thickness 1	Gap Width 1	Pane Thickness 2	Gap Width 2	Pane Thickness 3	Gap Width 3	Pane Thickness 4	Gap Fill	Low-e (Surface#)	Tint	Spacer	Grid Type
	U-Factor			Solar Heat Gain Coefficient (SHGC) Grids (None / <1 / >=1)				Visible Transmittance (VT) Grids (None / <1 / >=1)			Condensation Resistance	
881	141.094/142.094/148.094 HS / Opt 11 (INN Refo KS/LS, Foam): clr / air / clr (SS/SS) 3/4" IG											
	0.087	0.563	0.087					AIR		CL	P1-S	N,G,S
	U-Factor 0.44			SHGC (N / <1) 0.61 / 0.54				VT (N / <1) 0.63 / 0.56			CR 46	
882	141.094/142.094/148.094 HS / Opt 11 (INN Refo KS/LS, Foam): clr / air / clr (DS/DS) 3/4" IG											
	0.118	0.500	0.118					AIR		CL	P1-S	N,G,S
	U-Factor 0.44			SHGC (N / <1) 0.59 / 0.53				VT (N / <1) 0.62 / 0.56			CR 45	
883	141.094/142.094/148.094 HS / Opt 11 (INN Refo KS/LS, Foam): clr / air / clr (5mm/DS) 3/4" IG											
	0.185	0.438	0.118					AIR		CL	P1-S	N,G,S
	U-Factor 0.44			SHGC (N / <1) 0.57 / 0.51				VT (N / <1) 0.62 / 0.55			CR 45	
884	141.094/142.094/148.094 HS / Opt 11 (INN Refo KS/LS, Foam): clr / air / clr (5mm/DS) 3/4" IG											
	0.185	0.438	0.118					AIR		CL	P1-S	G
	U-Factor 0.45			SHGC (<1) 0.51				VT (<1) 0.55			CR 45	
885	141.094/142.094/148.094 HS / Opt 11 (INN Refo KS/LS, Foam): lami / air / clr (DS 090 DS/DS) 3/4" IG											
	0.264	0.345	0.118					AIR		CL	P1-S	N,S
	U-Factor 0.46			SHGC (N / <1) 0.55 / 0.49				VT (N / <1) 0.61 / 0.55			CR 44	
	141.094/142.094/148.094 HS / Opt 11 (INN Refo KS/LS, Foam): clr / air / lami (DS/DS 090 DS) 3/4" IG											
	0.118	0.345	0.264					AIR		CL	P1-S	N,S
	U-Factor 0.46			SHGC (N / <1) 0.57 / 0.51				VT (N / <1) 0.61 / 0.55			CR 44	
886	141.094/142.094/148.094 HS / Opt 11 (INN Refo KS/LS, Foam): lami / air / clr (DS 090 DS/DS) 3/4" IG											
	0.264	0.345	0.118					AIR		CL	P1-S	G,S
	U-Factor 0.46			SHGC (<1) 0.49				VT (<1) 0.55			CR 44	
	141.094/142.094/148.094 HS / Opt 11 (INN Refo KS/LS, Foam): clr / air / lami (DS/DS 090 DS) 3/4" IG											
	0.118	0.345	0.264					AIR		CL	P1-S	G,S
	U-Factor 0.46			SHGC (<1) 0.51				VT (<1) 0.55			CR 44	
887	141.094/142.094/148.094 HS / Opt 11 (INN Refo KS/LS, Foam): clr / air / clr / air / clr (SS/SS/SS) 3/4" IG (P1-S)											
	0.087	0.250	0.087	0.250	0.087			AIR		CL	P1-S	N,S
	U-Factor 0.36			SHGC (N / <1) 0.55 / 0.49				VT (N / <1) 0.58 / 0.52			CR 53	
888	141.094/142.094/148.094 HS / Opt 11 (INN Refo KS/LS, Foam): clr / air / clr / air / clr (SS/SS/SS) 3/4" IG (P1-S)											
	0.087	0.250	0.087	0.250	0.087			AIR		CL	P1-S	G,S
	U-Factor 0.37			SHGC (<1) 0.49				VT (<1) 0.52			CR 53	

NFRC 100/200/500 Summary Sheet
Windgate/Belmont/Hawthorne 2-Lite Slider

ID	Pane Thickness 1	Gap Width 1	Pane Thickness 2	Gap Width 2	Pane Thickness 3	Gap Width 3	Pane Thickness 4	Gap Fill	Low-e (Surface#)	Tint	Spacer	Grid Type
	U-Factor			Solar Heat Gain Coefficient (SHGC) Grids (None / <1 / >=1)				Visible Transmittance (VT) Grids (None / <1 / >=1)			Condensation Resistance	
889	141.094/142.094/148.094 HS / Opt 11 (INN Refo KS/LS, Foam): E270 / air / clr (SS/SS) 3/4" IG											
	0.087	0.563	0.087					AIR	0.037(#2)	CL	P1-S	N,G,S
	U-Factor 0.30			SHGC (N / <1) 0.29 / 0.26				VT (N / <1) 0.54 / 0.48			CR 58	
	141.094/142.094/148.094 HS / Opt 11 (INN Refo KS/LS, Foam): clr / air / E270 (SS/SS) 3/4" IG											
	0.087	0.563	0.087					AIR	0.037(#3)	CL	P1-S	N,G,S
	U-Factor 0.30			SHGC (N / <1) 0.35 / 0.32				VT (N / <1) 0.54 / 0.48			CR 58	
890	141.094/142.094/148.094 HS / Opt 11 (INN Refo KS/LS, Foam): E270 / arg / clr (SS/SS) 3/4" IG											
	0.087	0.563	0.087					ARG90	0.037(#2)	CL	P1-S	N,G,S
	U-Factor 0.27			SHGC (N / <1) 0.28 / 0.26				VT (N / <1) 0.54 / 0.48			CR 62	
	141.094/142.094/148.094 HS / Opt 11 (INN Refo KS/LS, Foam): clr / arg / E270 (SS/SS) 3/4" IG											
	0.087	0.563	0.087					ARG90	0.037(#3)	CL	P1-S	N,G,S
	U-Factor 0.27			SHGC (N / <1) 0.36 / 0.32				VT (N / <1) 0.54 / 0.48			CR 62	
891	141.094/142.094/148.094 HS / Opt 11 (INN Refo KS/LS, Foam): E270 / air / clr (DS/DS) 3/4" IG											
	0.118	0.500	0.118					AIR	0.037(#2)	CL	P1-S	N,G,S
	U-Factor 0.30			SHGC (N / <1) 0.29 / 0.26				VT (N / <1) 0.53 / 0.47			CR 58	
	141.094/142.094/148.094 HS / Opt 11 (INN Refo KS/LS, Foam): clr / air / E270 (DS/DS) 3/4" IG											
	0.118	0.500	0.118					AIR	0.037(#3)	CL	P1-S	N,G,S
	U-Factor 0.30			SHGC (N / <1) 0.35 / 0.31				VT (N / <1) 0.53 / 0.47			CR 58	
892	141.094/142.094/148.094 HS / Opt 11 (INN Refo KS/LS, Foam): E270 / arg / clr (DS/DS) 3/4" IG											
	0.118	0.500	0.118					ARG90	0.037(#2)	CL	P1-S	N,G,S
	U-Factor 0.26			SHGC (N / <1) 0.28 / 0.25				VT (N / <1) 0.53 / 0.47			CR 61	
	141.094/142.094/148.094 HS / Opt 11 (INN Refo KS/LS, Foam): clr / arg / E270 (DS/DS) 3/4" IG											
	0.118	0.500	0.118					ARG90	0.037(#3)	CL	P1-S	N,G,S
	U-Factor 0.26			SHGC (N / <1) 0.35 / 0.32				VT (N / <1) 0.53 / 0.47			CR 61	
893	141.094/142.094/148.094 HS / Opt 11 (INN Refo KS/LS, Foam): lami / arg / E270 (DS 090 DS/DS) 3/4" IG											
	0.264	0.345	0.118					ARG90	0.037(#3)	CL	P1-S	N,S
	U-Factor 0.28			SHGC (N / <1) 0.33 / 0.30				VT (N / <1) 0.52 / 0.47			CR 59	
	141.094/142.094/148.094 HS / Opt 11 (INN Refo KS/LS, Foam): E270 / arg / lami (DS/DS 090 DS) 3/4" IG											
	0.118	0.345	0.264					ARG90	0.037(#2)	CL	P1-S	N,S
	U-Factor 0.28			SHGC (N / <1) 0.28 / 0.25				VT (N / <1) 0.52 / 0.47			CR 59	

NFRC 100/200/500 Summary Sheet
Windgate/Belmont/Hawthorne 2-Lite Slider

ID	Pane Thickness 1	Gap Width 1	Pane Thickness 2	Gap Width 2	Pane Thickness 3	Gap Width 3	Pane Thickness 4	Gap Fill	Low-e (Surface#)	Tint	Spacer	Grid Type
	U-Factor			Solar Heat Gain Coefficient (SHGC) Grids (None / <1 / >=1)				Visible Transmittance (VT) Grids (None / <1 / >=1)			Condensation Resistance	
894	141.094/142.094/148.094 HS / Opt 11 (INN Refo KS/LS, Foam): lami / arg / E270 (DS 090 DS/DS) 3/4" IG											
	0.264	0.345	0.118					ARG90	0.037(#3)	CL	P1-S	G,S
	U-Factor 0.30			SHGC (<1) 0.30				VT (<1) 0.47			CR 59	
	141.094/142.094/148.094 HS / Opt 11 (INN Refo KS/LS, Foam): E270 / arg / lami (DS/DS 090 DS) 3/4" IG											
	0.118	0.345	0.264					ARG90	0.037(#2)	CL	P1-S	G,S
	U-Factor 0.30			SHGC (<1) 0.25				VT (<1) 0.47			CR 59	
895	141.094/142.094/148.094 HS / Opt 11 (INN Refo KS/LS, Foam): E270 / arg / clr / arg / E270 (SS/SS/SS) 3/4" IG (P1-S)											
	0.087	0.250	0.087	0.250	0.087			ARG90	0.037(#2) / 0.037(#5)	CL	P1-S	N,S
	U-Factor 0.23			SHGC (N / <1) 0.24 / 0.22				VT (N / <1) 0.42 / 0.37			CR 67	
896	141.094/142.094/148.094 HS / Opt 11 (INN Refo KS/LS, Foam): E270 / arg / clr / arg / E270 (SS/SS/SS) 3/4" IG (P1-S)											
	0.087	0.250	0.087	0.250	0.087			ARG90	0.037(#2) / 0.037(#5)	CL	P1-S	G,S
	U-Factor 0.24			SHGC (<1) 0.22				VT (<1) 0.37			CR 67	
897	141.094/142.094/148.094 HS / Opt 11 (INN Refo KS/LS, Foam): E366 / air / clr (SS/SS) 3/4" IG											
	0.087	0.563	0.087					AIR	0.022(#2)	CL	P1-S	N,G,S
	U-Factor 0.30			SHGC (N / <1) 0.21 / 0.19				VT (N / <1) 0.50 / 0.44			CR 59	
	141.094/142.094/148.094 HS / Opt 11 (INN Refo KS/LS, Foam): clr / air / E366 (SS/SS) 3/4" IG											
	0.087	0.563	0.087					AIR	0.022(#3)	CL	P1-S	N,G,S
	U-Factor 0.30			SHGC (N / <1) 0.30 / 0.27				VT (N / <1) 0.50 / 0.44			CR 59	
898	141.094/142.094/148.094 HS / Opt 11 (INN Refo KS/LS, Foam): E366 / arg / clr (SS/SS) 3/4" IG											
	0.087	0.563	0.087					ARG90	0.022(#2)	CL	P1-S	N,G,S
	U-Factor 0.26			SHGC (N / <1) 0.21 / 0.19				VT (N / <1) 0.50 / 0.44			CR 63	
	141.094/142.094/148.094 HS / Opt 11 (INN Refo KS/LS, Foam): clr / arg / E366 (SS/SS) 3/4" IG											
	0.087	0.563	0.087					ARG90	0.022(#3)	CL	P1-S	N,G,S
	U-Factor 0.26			SHGC (N / <1) 0.30 / 0.27				VT (N / <1) 0.50 / 0.44			CR 63	
899	141.094/142.094/148.094 HS / Opt 11 (INN Refo KS/LS, Foam): E366 / air / clr (DS/DS) 3/4" IG											
	0.117	0.500	0.118					AIR	0.022(#2)	CL	P1-S	N,G,S
	U-Factor 0.30			SHGC (N / <1) 0.21 / 0.19				VT (N / <1) 0.49 / 0.44			CR 58	
	141.094/142.094/148.094 HS / Opt 11 (INN Refo KS/LS, Foam): clr / air / E366 (DS/DS) 3/4" IG											
	0.118	0.500	0.117					AIR	0.022(#3)	CL	P1-S	N,G,S
	U-Factor 0.30			SHGC (N / <1) 0.29 / 0.27				VT (N / <1) 0.49 / 0.44			CR 58	

**NFRC 100/200/500 Summary Sheet
Windgate/Belmont/Hawthorne 2-Lite Slider**

ID	Pane Thickness 1	Gap Width 1	Pane Thickness 2	Gap Width 2	Pane Thickness 3	Gap Width 3	Pane Thickness 4	Gap Fill	Low-e (Surface#)	Tint	Spacer	Grid Type
	U-Factor			Solar Heat Gain Coefficient (SHGC) Grids (None / <1 / >=1)				Visible Transmittance (VT) Grids (None / <1 / >=1)			Condensation Resistance	
900	141.094/142.094/148.094 HS / Opt 11 (INN Refo KS/LS, Foam): E366 / arg / clr (DS/DS) 3/4" IG											
	0.117	0.500	0.118					ARG90	0.022(#2)	CL	P1-S	N,G,S
	U-Factor 0.26			SHGC (N / <1) 0.21 / 0.19				VT (N / <1) 0.49 / 0.44			CR 62	
	141.094/142.094/148.094 HS / Opt 11 (INN Refo KS/LS, Foam): clr / arg / E366 (DS/DS) 3/4" IG											
	0.118	0.500	0.117					ARG90	0.022(#3)	CL	P1-S	N,G,S
	U-Factor 0.26			SHGC (N / <1) 0.30 / 0.27				VT (N / <1) 0.49 / 0.44			CR 62	
901	141.094/142.094/148.094 HS / Opt 11 (INN Refo KS/LS, Foam): lami / arg / E366 (DS 090 DS/DS) 3/4" IG											
	0.264	0.345	0.117					ARG90	0.022(#3)	CL	P1-S	N,S
	U-Factor 0.28			SHGC (N / <1) 0.29 / 0.26				VT (N / <1) 0.48 / 0.43			CR 60	
	141.094/142.094/148.094 HS / Opt 11 (INN Refo KS/LS, Foam): E366 / arg / lami (DS/DS 090 DS) 3/4" IG											
	0.117	0.345	0.264					ARG90	0.022(#2)	CL	P1-S	N,S
	U-Factor 0.28			SHGC (N / <1) 0.21 / 0.19				VT (N / <1) 0.48 / 0.43			CR 60	
902	141.094/142.094/148.094 HS / Opt 11 (INN Refo KS/LS, Foam): lami / arg / E366 (DS 090 DS/DS) 3/4" IG											
	0.264	0.345	0.117					ARG90	0.022(#3)	CL	P1-S	G,S
	U-Factor 0.29			SHGC (<1) 0.26				VT (<1) 0.43			CR 60	
	141.094/142.094/148.094 HS / Opt 11 (INN Refo KS/LS, Foam): E366 / arg / lami (DS/DS 090 DS) 3/4" IG											
	0.117	0.345	0.264					ARG90	0.022(#2)	CL	P1-S	G,S
	U-Factor 0.29			SHGC (<1) 0.19				VT (<1) 0.43			CR 60	
903	141.094/142.094/148.094 HS / Opt 11 (INN Refo KS/LS, Foam): E366 / arg / clr / arg / E366 (SS/SS/SS) 3/4" IG (P1-S)											
	0.087	0.250	0.087	0.250	0.087			ARG90	0.022(#2) / 0.022(#5)	CL	P1-S	N,S
	U-Factor 0.23			SHGC (N / <1) 0.19 / 0.17				VT (N / <1) 0.36 / 0.32			CR 68	
904	141.094/142.094/148.094 HS / Opt 11 (INN Refo KS/LS, Foam): E366 / arg / clr / arg / E366 (SS/SS/SS) 3/4" IG (P1-S)											
	0.087	0.250	0.087	0.250	0.087			ARG90	0.022(#2) / 0.022(#5)	CL	P1-S	G,S
	U-Factor 0.23			SHGC (<1) 0.17				VT (<1) 0.32			CR 68	
905	141.094/142.094/148.094 HS / Opt 11 (INN Refo KS/LS, Foam): 70/36 / air / clr (SS/SS) 3/4" IG											
	0.090	0.563	0.090					AIR	0.036(#2)	CL	P1-S	N,G,S
	U-Factor 0.30			SHGC (N / <1) 0.30 / 0.27				VT (N / <1) 0.54 / 0.48			CR 58	
	141.094/142.094/148.094 HS / Opt 11 (INN Refo KS/LS, Foam): clr / air / 70/36 (SS/SS) 3/4" IG											
	0.090	0.563	0.090					AIR	0.036(#3)	CL	P1-S	N,G,S
	U-Factor 0.30			SHGC (N / <1) 0.37 / 0.33				VT (N / <1) 0.54 / 0.48			CR 58	

NFRC 100/200/500 Summary Sheet
Windgate/Belmont/Hawthorne 2-Lite Slider

ID	Pane Thickness 1	Gap Width 1	Pane Thickness 2	Gap Width 2	Pane Thickness 3	Gap Width 3	Pane Thickness 4	Gap Fill	Low-e (Surface#)	Tint	Spacer	Grid Type
	U-Factor			Solar Heat Gain Coefficient (SHGC) Grids (None / <1 / >=1)				Visible Transmittance (VT) Grids (None / <1 / >=1)			Condensation Resistance	
906	141.094/142.094/148.094 HS / Opt 11 (INN Refo KS/LS, Foam): 70/36 / arg / clr (SS/SS) 3/4" IG											
	0.090	0.563	0.090					ARG90	0.036(#2)	CL	P1-S	N,G,S
	U-Factor 0.27			SHGC (N / <1) 0.30 / 0.27				VT (N / <1) 0.54 / 0.48			CR 62	
	141.094/142.094/148.094 HS / Opt 11 (INN Refo KS/LS, Foam): clr / arg / 70/36 (SS/SS) 3/4" IG											
	0.090	0.563	0.090					ARG90	0.036(#3)	CL	P1-S	N,G,S
	U-Factor 0.27			SHGC (N / <1) 0.38 / 0.34				VT (N / <1) 0.54 / 0.48			CR 62	
907	141.094/142.094/148.094 HS / Opt 11 (INN Refo KS/LS, Foam): 70/36 / air / clr (DS/DS) 3/4" IG											
	0.117	0.500	0.117					AIR	0.036(#2)	CL	P1-S	N,G,S
	U-Factor 0.30			SHGC (N / <1) 0.30 / 0.27				VT (N / <1) 0.53 / 0.47			CR 58	
	141.094/142.094/148.094 HS / Opt 11 (INN Refo KS/LS, Foam): clr / air / 70/36 (DS/DS) 3/4" IG											
	0.117	0.500	0.117					AIR	0.036(#3)	CL	P1-S	N,G,S
	U-Factor 0.30			SHGC (N / <1) 0.37 / 0.33				VT (N / <1) 0.53 / 0.47			CR 58	
908	141.094/142.094/148.094 HS / Opt 11 (INN Refo KS/LS, Foam): 70/36 / arg / clr (DS/DS) 3/4" IG											
	0.117	0.500	0.117					ARG90	0.036(#2)	CL	P1-S	N,G,S
	U-Factor 0.26			SHGC (N / <1) 0.29 / 0.27				VT (N / <1) 0.53 / 0.47			CR 61	
	141.094/142.094/148.094 HS / Opt 11 (INN Refo KS/LS, Foam): clr / arg / 70/36 (DS/DS) 3/4" IG											
	0.117	0.500	0.117					ARG90	0.036(#3)	CL	P1-S	N,G,S
	U-Factor 0.26			SHGC (N / <1) 0.37 / 0.33				VT (N / <1) 0.53 / 0.47			CR 61	
909	141.094/142.094/148.094 HS / Opt 11 (INN Refo KS/LS, Foam): lami / arg / 70/36 (DS 090 DS/DS) 3/4" IG											
	0.264	0.345	0.117					ARG90	0.036(#3)	CL	P1-S	N,S
	U-Factor 0.28			SHGC (N / <1) 0.35 / 0.32				VT (N / <1) 0.52 / 0.47			CR 59	
	141.094/142.094/148.094 HS / Opt 11 (INN Refo KS/LS, Foam): 70/36 / arg / lami (DS/DS 090 DS) 3/4" IG											
	0.117	0.345	0.264					ARG90	0.036(#2)	CL	P1-S	N,S
	U-Factor 0.28			SHGC (N / <1) 0.29 / 0.26				VT (N / <1) 0.52 / 0.47			CR 59	
910	141.094/142.094/148.094 HS / Opt 11 (INN Refo KS/LS, Foam): lami / arg / 70/36 (DS 090 DS/DS) 3/4" IG											
	0.264	0.345	0.117					ARG90	0.036(#3)	CL	P1-S	G,S
	U-Factor 0.30			SHGC (<1) 0.32				VT (<1) 0.47			CR 59	
	141.094/142.094/148.094 HS / Opt 11 (INN Refo KS/LS, Foam): 70/36 / arg / lami (DS/DS 090 DS) 3/4" IG											
	0.117	0.345	0.264					ARG90	0.036(#2)	CL	P1-S	G,S
	U-Factor 0.30			SHGC (<1) 0.26				VT (<1) 0.47			CR 59	

NFRC 100/200/500 Summary Sheet
Windgate/Belmont/Hawthorne 2-Lite Slider

ID	Pane Thickness 1	Gap Width 1	Pane Thickness 2	Gap Width 2	Pane Thickness 3	Gap Width 3	Pane Thickness 4	Gap Fill	Low-e (Surface#)	Tint	Spacer	Grid Type
	U-Factor			Solar Heat Gain Coefficient (SHGC) Grids (None / <1 / >=1)				Visible Transmittance (VT) Grids (None / <1 / >=1)			Condensation Resistance	
911	141.094/142.094/148.094 HS / Opt 11 (INN Refo KS/LS, Foam): 70/36 / arg / clr / arg / 70/36 (SS/SS/SS) 3/4" IG											
	0.090	0.250	0.090	0.250	0.090			ARG90	0.036(#2) / 0.036(#5)		CL	P1-S, N,S
	U-Factor 0.23			SHGC (N / <1) 0.26 / 0.23				VT (N / <1) 0.42 / 0.37			CR 67	
912	141.094/142.094/148.094 HS / Opt 11 (INN Refo KS/LS, Foam): 70/36 / arg / clr / arg / 70/36 (SS/SS/SS) 3/4" IG											
	0.090	0.250	0.090	0.250	0.090			ARG90	0.036(#2) / 0.036(#5)		CL	P1-S, G,S
	U-Factor 0.24			SHGC (<1) 0.23				VT (<1) 0.37			CR 67	
913	141.094/142.094/148.094 HS / Opt 11 (INN Refo KS/LS, Foam): 80/70 / air / clr (SS/SS) 3/4" IG											
	0.090	0.563	0.090					AIR	0.095(#2)		CL	P1-S, N,G,S
	U-Factor 0.32			SHGC (N / <1) 0.51 / 0.46				VT (N / <1) 0.62 / 0.55			CR 57	
	141.094/142.094/148.094 HS / Opt 11 (INN Refo KS/LS, Foam): clr / air / 80/70 (SS/SS) 3/4" IG											
	0.090	0.563	0.090					AIR	0.095(#3)		CL	P1-S, N,G,S
	U-Factor 0.32			SHGC (N / <1) 0.54 / 0.49				VT (N / <1) 0.62 / 0.55			CR 57	
914	141.094/142.094/148.094 HS / Opt 11 (INN Refo KS/LS, Foam): 80/70 / arg / clr (SS/SS) 3/4" IG											
	0.090	0.563	0.090					ARG90	0.095(#2)		CL	P1-S, N,G,S
	U-Factor 0.28			SHGC (N / <1) 0.51 / 0.46				VT (N / <1) 0.62 / 0.55			CR 61	
	141.094/142.094/148.094 HS / Opt 11 (INN Refo KS/LS, Foam): clr / arg / 80/70 (SS/SS) 3/4" IG											
	0.090	0.563	0.090					ARG90	0.095(#3)		CL	P1-S, N,G,S
	U-Factor 0.28			SHGC (N / <1) 0.54 / 0.49				VT (N / <1) 0.62 / 0.55			CR 61	
915	141.094/142.094/148.094 HS / Opt 11 (INN Refo KS/LS, Foam): 80/70 / air / clr (DS/DS) 3/4" IG											
	0.117	0.500	0.117					AIR	0.095(#2)		CL	P1-S, N,G,S
	U-Factor 0.31			SHGC (N / <1) 0.51 / 0.45				VT (N / <1) 0.61 / 0.55			CR 56	
	141.094/142.094/148.094 HS / Opt 11 (INN Refo KS/LS, Foam): clr / air / 80/70 (DS/DS) 3/4" IG											
	0.117	0.500	0.117					AIR	0.095(#3)		CL	P1-S, N,G,S
	U-Factor 0.31			SHGC (N / <1) 0.53 / 0.48				VT (N / <1) 0.61 / 0.55			CR 56	
916	141.094/142.094/148.094 HS / Opt 11 (INN Refo KS/LS, Foam): 80/70 / arg / clr (DS/DS) 3/4" IG											
	0.117	0.500	0.117					ARG90	0.095(#2)		CL	P1-S, N,G,S
	U-Factor 0.28			SHGC (N / <1) 0.51 / 0.45				VT (N / <1) 0.61 / 0.55			CR 60	
	141.094/142.094/148.094 HS / Opt 11 (INN Refo KS/LS, Foam): clr / arg / 80/70 (DS/DS) 3/4" IG											
	0.117	0.500	0.117					ARG90	0.095(#3)		CL	P1-S, N,G,S
	U-Factor 0.28			SHGC (N / <1) 0.54 / 0.48				VT (N / <1) 0.61 / 0.55			CR 60	

**NFRC 100/200/500 Summary Sheet
Windgate/Belmont/Hawthorne 2-Lite Slider**

ID	Pane Thickness 1	Gap Width 1	Pane Thickness 2	Gap Width 2	Pane Thickness 3	Gap Width 3	Pane Thickness 4	Gap Fill	Low-e (Surface#)	Tint	Spacer	Grid Type
	U-Factor			Solar Heat Gain Coefficient (SHGC) Grids (None / <1 / >=1)				Visible Transmittance (VT) Grids (None / <1 / >=1)			Condensation Resistance	
917	141.094/142.094/148.094 HS / Opt 11 (INN Refo KS/LS, Foam): lami / arg / 80/70 (DS 090 DS/DS) 3/4" IG											
	0.264	0.345	0.117					ARG90	0.095(#3)	CL	P1-S	N,S
	U-Factor 0.30			SHGC (N / <1) 0.49 / 0.44				VT (N / <1) 0.60 / 0.54			CR 58	
	141.094/142.094/148.094 HS / Opt 11 (INN Refo KS/LS, Foam): 80/70 / arg / lami (DS/DS 090 DS) 3/4" IG											
	0.117	0.345	0.264					ARG90	0.095(#2)	CL	P1-S	N,S
	U-Factor 0.30			SHGC (N / <1) 0.50 / 0.45				VT (N / <1) 0.60 / 0.54			CR 58	
918	141.094/142.094/148.094 HS / Opt 11 (INN Refo KS/LS, Foam): lami / arg / 80/70 (DS 090 DS/DS) 3/4" IG											
	0.264	0.345	0.117					ARG90	0.095(#3)	CL	P1-S	G,S
	U-Factor 0.31			SHGC (<1) 0.44				VT (<1) 0.54			CR 58	
	141.094/142.094/148.094 HS / Opt 11 (INN Refo KS/LS, Foam): 80/70 / arg / lami (DS/DS 090 DS) 3/4" IG											
	0.117	0.345	0.264					ARG90	0.095(#2)	CL	P1-S	G,S
	U-Factor 0.31			SHGC (<1) 0.45				VT (<1) 0.54			CR 58	
919	141.094/142.094/148.094 HS / Opt 11 (INN Refo KS/LS, Foam): 80/70 / arg / clr / arg / 80/70 (SS/SS/SS) 3/4" IG											
	0.090	0.250	0.090	0.250	0.090			ARG90	0.095(#2) / 0.095(#5)	CL	P1-S	N,S
	U-Factor 0.24			SHGC (N / <1) 0.45 / 0.41				VT (N / <1) 0.56 / 0.50			CR 66	
920	141.094/142.094/148.094 HS / Opt 11 (INN Refo KS/LS, Foam): 80/70 / arg / clr / arg / 80/70 (SS/SS/SS) 3/4" IG											
	0.090	0.250	0.090	0.250	0.090			ARG90	0.095(#2) / 0.095(#5)	CL	P1-S	G,S
	U-Factor 0.25			SHGC (<1) 0.41				VT (<1) 0.50			CR 66	
921	141.094/142.094/148.094 HS / Opt 11 (INN Refo KS/LS, Foam): clr / air / clr (SS/SS) 3/4" IG											
	0.087	0.563	0.087					AIR		CL	SS-D	N,G,S
	U-Factor 0.45			SHGC (N / <1) 0.61 / 0.54				VT (N / <1) 0.63 / 0.56			CR 44	
922	141.094/142.094/148.094 HS / Opt 11 (INN Refo KS/LS, Foam): clr / air / clr (DS/DS) 3/4" IG											
	0.118	0.500	0.118					AIR		CL	SS-D	N,G,S
	U-Factor 0.44			SHGC (N / <1) 0.59 / 0.53				VT (N / <1) 0.62 / 0.56			CR 44	
923	141.094/142.094/148.094 HS / Opt 11 (INN Refo KS/LS, Foam): clr / air / clr (5mm/DS) 3/4" IG											
	0.185	0.438	0.118					AIR		CL	SS-D	N,G,S
	U-Factor 0.45			SHGC (N / <1) 0.57 / 0.51				VT (N / <1) 0.62 / 0.55			CR 43	
924	141.094/142.094/148.094 HS / Opt 11 (INN Refo KS/LS, Foam): clr / air / clr (5mm/DS) 3/4" IG											
	0.185	0.438	0.118					AIR		CL	SS-D	G
	U-Factor 0.45			SHGC (<1) 0.51				VT (<1) 0.55			CR 43	

NFRC 100/200/500 Summary Sheet
Windgate/Belmont/Hawthorne 2-Lite Slider

ID	Pane Thickness 1	Gap Width 1	Pane Thickness 2	Gap Width 2	Pane Thickness 3	Gap Width 3	Pane Thickness 4	Gap Fill	Low-e (Surface#)	Tint	Spacer	Grid Type
	U-Factor			Solar Heat Gain Coefficient (SHGC) Grids (None / <1 / >=1)				Visible Transmittance (VT) Grids (None / <1 / >=1)			Condensation Resistance	
925	141.094/142.094/148.094 HS / Opt 11 (INN Refo KS/LS, Foam): lami / air / clr (DS 090 DS/DS) 3/4" IG											
	0.264	0.345	0.118					AIR		CL	SS-D	N,S
	U-Factor 0.46			SHGC (N / <1) 0.55 / 0.49				VT (N / <1) 0.61 / 0.55			CR 42	
	141.094/142.094/148.094 HS / Opt 11 (INN Refo KS/LS, Foam): clr / air / lami (DS/DS 090 DS) 3/4" IG											
	0.118	0.345	0.264					AIR		CL	SS-D	N,S
	U-Factor 0.46			SHGC (N / <1) 0.57 / 0.51				VT (N / <1) 0.61 / 0.55			CR 42	
926	141.094/142.094/148.094 HS / Opt 11 (INN Refo KS/LS, Foam): lami / air / clr (DS 090 DS/DS) 3/4" IG											
	0.264	0.345	0.118					AIR		CL	SS-D	G,S
	U-Factor 0.47			SHGC (<1) 0.49				VT (<1) 0.55			CR 42	
	141.094/142.094/148.094 HS / Opt 11 (INN Refo KS/LS, Foam): clr / air / lami (DS/DS 090 DS) 3/4" IG											
	0.118	0.345	0.264					AIR		CL	SS-D	G,S
	U-Factor 0.47			SHGC (<1) 0.51				VT (<1) 0.55			CR 42	
927	141.094/142.094/148.094 HS / Opt 11 (INN Refo KS/LS, Foam): clr / air / clr / air / clr (SS/SS/SS) 3/4" IG (P1-S)											
	0.087	0.250	0.087	0.250	0.087			AIR		CL	SS-D	N,S
	U-Factor 0.37			SHGC (N / <1) 0.55 / 0.49				VT (N / <1) 0.58 / 0.52			CR 52	
928	141.094/142.094/148.094 HS / Opt 11 (INN Refo KS/LS, Foam): clr / air / clr / air / clr (SS/SS/SS) 3/4" IG (P1-S)											
	0.087	0.250	0.087	0.250	0.087			AIR		CL	SS-D	G,S
	U-Factor 0.38			SHGC (<1) 0.49				VT (<1) 0.52			CR 52	
929	141.094/142.094/148.094 HS / Opt 11 (INN Refo KS/LS, Foam): E270 / air / clr (SS/SS) 3/4" IG											
	0.087	0.563	0.087					AIR	0.037(#2)	CL	SS-D	N,G,S
	U-Factor 0.31			SHGC (N / <1) 0.29 / 0.26				VT (N / <1) 0.54 / 0.48			CR 56	
	141.094/142.094/148.094 HS / Opt 11 (INN Refo KS/LS, Foam): clr / air / E270 (SS/SS) 3/4" IG											
	0.087	0.563	0.087					AIR	0.037(#3)	CL	SS-D	N,G,S
	U-Factor 0.31			SHGC (N / <1) 0.35 / 0.32				VT (N / <1) 0.54 / 0.48			CR 56	
930	141.094/142.094/148.094 HS / Opt 11 (INN Refo KS/LS, Foam): E270 / arg / clr (SS/SS) 3/4" IG											
	0.087	0.563	0.087					ARG90	0.037(#2)	CL	SS-D	N,G,S
	U-Factor 0.28			SHGC (N / <1) 0.28 / 0.26				VT (N / <1) 0.54 / 0.48			CR 59	
	141.094/142.094/148.094 HS / Opt 11 (INN Refo KS/LS, Foam): clr / arg / E270 (SS/SS) 3/4" IG											
	0.087	0.563	0.087					ARG90	0.037(#3)	CL	SS-D	N,G,S
	U-Factor 0.28			SHGC (N / <1) 0.36 / 0.32				VT (N / <1) 0.54 / 0.48			CR 59	

NFRC 100/200/500 Summary Sheet
Windgate/Belmont/Hawthorne 2-Lite Slider

ID	Pane Thickness 1	Gap Width 1	Pane Thickness 2	Gap Width 2	Pane Thickness 3	Gap Width 3	Pane Thickness 4	Gap Fill	Low-e (Surface#)	Tint	Spacer	Grid Type
	U-Factor			Solar Heat Gain Coefficient (SHGC) Grids (None / <1 / >=1)				Visible Transmittance (VT) Grids (None / <1 / >=1)			Condensation Resistance	
931	141.094/142.094/148.094 HS / Opt 11 (INN Refo KS/LS, Foam): E270 / air / clr (DS/DS) 3/4" IG											
	0.118	0.500	0.118					AIR	0.037(#2)	CL	SS-D	N,G,S
	U-Factor 0.31			SHGC (N / <1) 0.29 / 0.26				VT (N / <1) 0.53 / 0.47			CR 55	
	141.094/142.094/148.094 HS / Opt 11 (INN Refo KS/LS, Foam): clr / air / E270 (DS/DS) 3/4" IG											
	0.118	0.500	0.118					AIR	0.037(#3)	CL	SS-D	N,G,S
	U-Factor 0.31			SHGC (N / <1) 0.35 / 0.31				VT (N / <1) 0.53 / 0.47			CR 55	
932	141.094/142.094/148.094 HS / Opt 11 (INN Refo KS/LS, Foam): E270 / arg / clr (DS/DS) 3/4" IG											
	0.118	0.500	0.118					ARG90	0.037(#2)	CL	SS-D	N,G,S
	U-Factor 0.27			SHGC (N / <1) 0.28 / 0.25				VT (N / <1) 0.53 / 0.47			CR 58	
	141.094/142.094/148.094 HS / Opt 11 (INN Refo KS/LS, Foam): clr / arg / E270 (DS/DS) 3/4" IG											
	0.118	0.500	0.118					ARG90	0.037(#3)	CL	SS-D	N,G,S
	U-Factor 0.27			SHGC (N / <1) 0.35 / 0.32				VT (N / <1) 0.53 / 0.47			CR 58	
933	141.094/142.094/148.094 HS / Opt 11 (INN Refo KS/LS, Foam): lami / arg / E270 (DS 090 DS/DS) 3/4" IG											
	0.264	0.345	0.118					ARG90	0.037(#3)	CL	SS-D	N,S
	U-Factor 0.29			SHGC (N / <1) 0.33 / 0.30				VT (N / <1) 0.52 / 0.47			CR 56	
	141.094/142.094/148.094 HS / Opt 11 (INN Refo KS/LS, Foam): E270 / arg / lami (DS/DS 090 DS) 3/4" IG											
	0.118	0.345	0.264					ARG90	0.037(#2)	CL	SS-D	N,S
	U-Factor 0.29			SHGC (N / <1) 0.28 / 0.25				VT (N / <1) 0.52 / 0.47			CR 56	
934	141.094/142.094/148.094 HS / Opt 11 (INN Refo KS/LS, Foam): lami / arg / E270 (DS 090 DS/DS) 3/4" IG											
	0.264	0.345	0.118					ARG90	0.037(#3)	CL	SS-D	G,S
	U-Factor 0.31			SHGC (<1) 0.30				VT (<1) 0.47			CR 56	
	141.094/142.094/148.094 HS / Opt 11 (INN Refo KS/LS, Foam): E270 / arg / lami (DS/DS 090 DS) 3/4" IG											
	0.118	0.345	0.264					ARG90	0.037(#2)	CL	SS-D	G,S
	U-Factor 0.31			SHGC (<1) 0.25				VT (<1) 0.47			CR 56	
935	141.094/142.094/148.094 HS / Opt 11 (INN Refo KS/LS, Foam): E270 / arg / clr / arg / E270 (SS/SS/SS) 3/4" IG (SS-D)											
	0.087	0.266	0.087	0.266	0.087			ARG90	0.037(#2) / 0.037(#5)	CL	SS-D	N,S
	U-Factor 0.23			SHGC (N / <1) 0.24 / 0.22				VT (N / <1) 0.42 / 0.37			CR 65	
936	141.094/142.094/148.094 HS / Opt 11 (INN Refo KS/LS, Foam): E270 / arg / clr / arg / E270 (SS/SS/SS) 3/4" IG (SS-D)											
	0.087	0.266	0.087	0.266	0.087			ARG90	0.037(#2) / 0.037(#5)	CL	SS-D	G,S
	U-Factor 0.24			SHGC (<1) 0.22				VT (<1) 0.37			CR 65	

**NFRC 100/200/500 Summary Sheet
Windgate/Belmont/Hawthorne 2-Lite Slider**

ID	Pane Thickness 1	Gap Width 1	Pane Thickness 2	Gap Width 2	Pane Thickness 3	Gap Width 3	Pane Thickness 4	Gap Fill	Low-e (Surface#)	Tint	Spacer	Grid Type
	U-Factor			Solar Heat Gain Coefficient (SHGC) Grids (None / <1 / >=1)				Visible Transmittance (VT) Grids (None / <1 / >=1)			Condensation Resistance	
937	141.094/142.094/148.094 HS / Opt 11 (INN Refo KS/LS, Foam): E366 / air / clr (SS/SS) 3/4" IG											
	0.087	0.563	0.087					AIR	0.022(#2)	CL	SS-D	N,G,S
	U-Factor 0.31			SHGC (N / <1) 0.21 / 0.19				VT (N / <1) 0.50 / 0.44			CR 56	
	141.094/142.094/148.094 HS / Opt 11 (INN Refo KS/LS, Foam): clr / air / E366 (SS/SS) 3/4" IG											
	0.087	0.563	0.087					AIR	0.022(#3)	CL	SS-D	N,G,S
	U-Factor 0.31			SHGC (N / <1) 0.30 / 0.27				VT (N / <1) 0.50 / 0.44			CR 56	
938	141.094/142.094/148.094 HS / Opt 11 (INN Refo KS/LS, Foam): E366 / arg / clr (SS/SS) 3/4" IG											
	0.087	0.563	0.087					ARG90	0.022(#2)	CL	SS-D	N,G,S
	U-Factor 0.27			SHGC (N / <1) 0.21 / 0.19				VT (N / <1) 0.50 / 0.44			CR 59	
	141.094/142.094/148.094 HS / Opt 11 (INN Refo KS/LS, Foam): clr / arg / E366 (SS/SS) 3/4" IG											
	0.087	0.563	0.087					ARG90	0.022(#3)	CL	SS-D	N,G,S
	U-Factor 0.27			SHGC (N / <1) 0.30 / 0.27				VT (N / <1) 0.50 / 0.44			CR 59	
939	141.094/142.094/148.094 HS / Opt 11 (INN Refo KS/LS, Foam): E366 / air / clr (DS/DS) 3/4" IG											
	0.117	0.500	0.118					AIR	0.022(#2)	CL	SS-D	N,G,S
	U-Factor 0.30			SHGC (N / <1) 0.21 / 0.19				VT (N / <1) 0.49 / 0.44			CR 55	
	141.094/142.094/148.094 HS / Opt 11 (INN Refo KS/LS, Foam): clr / air / E366 (DS/DS) 3/4" IG											
	0.118	0.500	0.117					AIR	0.022(#3)	CL	SS-D	N,G,S
	U-Factor 0.30			SHGC (N / <1) 0.29 / 0.27				VT (N / <1) 0.49 / 0.44			CR 55	
940	141.094/142.094/148.094 HS / Opt 11 (INN Refo KS/LS, Foam): E366 / arg / clr (DS/DS) 3/4" IG											
	0.117	0.500	0.118					ARG90	0.022(#2)	CL	SS-D	N,G,S
	U-Factor 0.27			SHGC (N / <1) 0.21 / 0.19				VT (N / <1) 0.49 / 0.44			CR 59	
	141.094/142.094/148.094 HS / Opt 11 (INN Refo KS/LS, Foam): clr / arg / E366 (DS/DS) 3/4" IG											
	0.118	0.500	0.117					ARG90	0.022(#3)	CL	SS-D	N,G,S
	U-Factor 0.27			SHGC (N / <1) 0.30 / 0.27				VT (N / <1) 0.49 / 0.44			CR 59	
941	141.094/142.094/148.094 HS / Opt 11 (INN Refo KS/LS, Foam): lami / arg / E366 (DS 090 DS/DS) 3/4" IG											
	0.264	0.345	0.117					ARG90	0.022(#3)	CL	SS-D	N,S
	U-Factor 0.29			SHGC (N / <1) 0.29 / 0.26				VT (N / <1) 0.48 / 0.43			CR 56	
	141.094/142.094/148.094 HS / Opt 11 (INN Refo KS/LS, Foam): E366 / arg / lami (DS/DS 090 DS) 3/4" IG											
	0.117	0.345	0.264					ARG90	0.022(#2)	CL	SS-D	N,S
	U-Factor 0.29			SHGC (N / <1) 0.21 / 0.19				VT (N / <1) 0.48 / 0.43			CR 56	

NFRC 100/200/500 Summary Sheet
Windgate/Belmont/Hawthorne 2-Lite Slider

ID	Pane Thickness 1	Gap Width 1	Pane Thickness 2	Gap Width 2	Pane Thickness 3	Gap Width 3	Pane Thickness 4	Gap Fill	Low-e (Surface#)	Tint	Spacer	Grid Type
	U-Factor			Solar Heat Gain Coefficient (SHGC) Grids (None / <1 / >=1)				Visible Transmittance (VT) Grids (None / <1 / >=1)			Condensation Resistance	
942	141.094/142.094/148.094 HS / Opt 11 (INN Refo KS/LS, Foam): lami / arg / E366 (DS 090 DS/DS) 3/4" IG											
	0.264	0.345	0.117					ARG90	0.022(#3)		CL	SS-D, G,S
	U-Factor 0.30			SHGC (<1) 0.26				VT (<1) 0.43			CR 56	
	141.094/142.094/148.094 HS / Opt 11 (INN Refo KS/LS, Foam): E366 / arg / lami (DS/DS 090 DS) 3/4" IG											
	0.117	0.345	0.264					ARG90	0.022(#2)		CL	SS-D, G,S
	U-Factor 0.30			SHGC (<1) 0.19				VT (<1) 0.43			CR 56	
943	141.094/142.094/148.094 HS / Opt 11 (INN Refo KS/LS, Foam): E366 / arg / clr / arg / E366 (SS/SS/SS) 3/4" IG (SS-D)											
	0.087	0.266	0.087	0.266	0.087			ARG90	0.022(#2) / 0.022(#5)		CL	SS-D, N,S
	U-Factor 0.23			SHGC (N / <1) 0.19 / 0.17				VT (N / <1) 0.36 / 0.32			CR 66	
944	141.094/142.094/148.094 HS / Opt 11 (INN Refo KS/LS, Foam): E366 / arg / clr / arg / E366 (SS/SS/SS) 3/4" IG (SS-D)											
	0.087	0.266	0.087	0.266	0.087			ARG90	0.022(#2) / 0.022(#5)		CL	SS-D, G,S
	U-Factor 0.23			SHGC (<1) 0.17				VT (<1) 0.32			CR 66	
945	141.094/142.094/148.094 HS / Opt 11 (INN Refo KS/LS, Foam): clr / air / clr (SS/SS) 3/4" IG											
	0.087	0.563	0.087					AIR			CL	TS-D, N,G,S
	U-Factor 0.45			SHGC (N / <1) 0.61 / 0.54				VT (N / <1) 0.63 / 0.56			CR 44	
946	141.094/142.094/148.094 HS / Opt 11 (INN Refo KS/LS, Foam): clr / air / clr (DS/DS) 3/4" IG											
	0.118	0.500	0.118					AIR			CL	TS-D, N,G,S
	U-Factor 0.45			SHGC (N / <1) 0.59 / 0.53				VT (N / <1) 0.62 / 0.56			CR 43	
947	141.094/142.094/148.094 HS / Opt 11 (INN Refo KS/LS, Foam): clr / air / clr (5mm/DS) 3/4" IG											
	0.185	0.438	0.118					AIR			CL	TS-D, N,G,S
	U-Factor 0.45			SHGC (N / <1) 0.57 / 0.51				VT (N / <1) 0.62 / 0.55			CR 42	
948	141.094/142.094/148.094 HS / Opt 11 (INN Refo KS/LS, Foam): clr / air / clr (5mm/DS) 3/4" IG											
	0.185	0.438	0.118					AIR			CL	TS-D, G
	U-Factor 0.45			SHGC (<1) 0.51				VT (<1) 0.55			CR 42	
949	141.094/142.094/148.094 HS / Opt 11 (INN Refo KS/LS, Foam): lami / air / clr (DS 090 DS/DS) 3/4" IG											
	0.264	0.345	0.118					AIR			CL	TS-D, N,S
	U-Factor 0.46			SHGC (N / <1) 0.55 / 0.49				VT (N / <1) 0.61 / 0.55			CR 42	
	141.094/142.094/148.094 HS / Opt 11 (INN Refo KS/LS, Foam): clr / air / lami (DS/DS 090 DS) 3/4" IG											
	0.118	0.345	0.264					AIR			CL	TS-D, N,S
	U-Factor 0.46			SHGC (N / <1) 0.57 / 0.51				VT (N / <1) 0.61 / 0.55			CR 42	

NFRC 100/200/500 Summary Sheet
Windgate/Belmont/Hawthorne 2-Lite Slider

ID	Pane Thickness 1	Gap Width 1	Pane Thickness 2	Gap Width 2	Pane Thickness 3	Gap Width 3	Pane Thickness 4	Gap Fill	Low-e (Surface#)	Tint	Spacer	Grid Type
	U-Factor			Solar Heat Gain Coefficient (SHGC) Grids (None / <1 / >=1)				Visible Transmittance (VT) Grids (None / <1 / >=1)			Condensation Resistance	
950	141.094/142.094/148.094 HS / Opt 11 (INN Refo KS/LS, Foam): lami / air / clr (DS 090 DS/DS) 3/4" IG											
	0.264	0.345	0.118					AIR		CL	TS-D	G,S
	U-Factor 0.47			SHGC (<1) 0.49				VT (<1) 0.55			CR 42	
	141.094/142.094/148.094 HS / Opt 11 (INN Refo KS/LS, Foam): clr / air / lami (DS/DS 090 DS) 3/4" IG											
	0.118	0.345	0.264					AIR		CL	TS-D	G,S
	U-Factor 0.47			SHGC (<1) 0.51				VT (<1) 0.55			CR 42	
951	141.094/142.094/148.094 HS / Opt 11 (INN Refo KS/LS, Foam): clr / air / clr / air / clr (SS/SS/SS) 3/4" IG (P1-S)											
	0.087	0.250	0.087	0.250	0.087			AIR		CL	TS-D	N,S
	U-Factor 0.37			SHGC (N / <1) 0.55 / 0.49				VT (N / <1) 0.58 / 0.52			CR 50	
952	141.094/142.094/148.094 HS / Opt 11 (INN Refo KS/LS, Foam): clr / air / clr / air / clr (SS/SS/SS) 3/4" IG (P1-S)											
	0.087	0.250	0.087	0.250	0.087			AIR		CL	TS-D	G,S
	U-Factor 0.38			SHGC (<1) 0.49				VT (<1) 0.52			CR 50	
953	141.094/142.094/148.094 HS / Opt 11 (INN Refo KS/LS, Foam): 70/36 / air / clr (SS/SS) 3/4" IG											
	0.090	0.563	0.090					AIR	0.036(#2)	CL	TS-D	N,G,S
	U-Factor 0.31			SHGC (N / <1) 0.30 / 0.27				VT (N / <1) 0.54 / 0.48			CR 54	
	141.094/142.094/148.094 HS / Opt 11 (INN Refo KS/LS, Foam): clr / air / 70/36 (SS/SS) 3/4" IG											
	0.090	0.563	0.090					AIR	0.036(#3)	CL	TS-D	N,G,S
	U-Factor 0.31			SHGC (N / <1) 0.37 / 0.33				VT (N / <1) 0.54 / 0.48			CR 54	
954	141.094/142.094/148.094 HS / Opt 11 (INN Refo KS/LS, Foam): 70/36 / arg / clr (SS/SS) 3/4" IG											
	0.090	0.563	0.090					ARG90	0.036(#2)	CL	TS-D	N,G,S
	U-Factor 0.28			SHGC (N / <1) 0.30 / 0.27				VT (N / <1) 0.54 / 0.48			CR 57	
	141.094/142.094/148.094 HS / Opt 11 (INN Refo KS/LS, Foam): clr / arg / 70/36 (SS/SS) 3/4" IG											
	0.090	0.563	0.090					ARG90	0.036(#3)	CL	TS-D	N,G,S
	U-Factor 0.28			SHGC (N / <1) 0.38 / 0.34				VT (N / <1) 0.54 / 0.48			CR 57	
955	141.094/142.094/148.094 HS / Opt 11 (INN Refo KS/LS, Foam): 70/36 / air / clr (DS/DS) 3/4" IG											
	0.117	0.500	0.117					AIR	0.036(#2)	CL	TS-D	N,G,S
	U-Factor 0.31			SHGC (N / <1) 0.30 / 0.27				VT (N / <1) 0.53 / 0.47			CR 53	
	141.094/142.094/148.094 HS / Opt 11 (INN Refo KS/LS, Foam): clr / air / 70/36 (DS/DS) 3/4" IG											
	0.117	0.500	0.117					AIR	0.036(#3)	CL	TS-D	N,G,S
	U-Factor 0.31			SHGC (N / <1) 0.37 / 0.33				VT (N / <1) 0.53 / 0.47			CR 53	

NFRC 100/200/500 Summary Sheet
Windgate/Belmont/Hawthorne 2-Lite Slider

ID	Pane Thickness 1	Gap Width 1	Pane Thickness 2	Gap Width 2	Pane Thickness 3	Gap Width 3	Pane Thickness 4	Gap Fill	Low-e (Surface#)	Tint	Spacer	Grid Type
	U-Factor			Solar Heat Gain Coefficient (SHGC) Grids (None / <1 / >=1)				Visible Transmittance (VT) Grids (None / <1 / >=1)			Condensation Resistance	
956	141.094/142.094/148.094 HS / Opt 11 (INN Refo KS/LS, Foam): 70/36 / arg / clr (DS/DS) 3/4" IG											
	0.117	0.500	0.117					ARG90	0.036(#2)	CL	TS-D	N,G,S
	U-Factor 0.28			SHGC (N / <1) 0.29 / 0.27				VT (N / <1) 0.53 / 0.47			CR 56	
	141.094/142.094/148.094 HS / Opt 11 (INN Refo KS/LS, Foam): clr / arg / 70/36 (DS/DS) 3/4" IG											
	0.117	0.500	0.117					ARG90	0.036(#3)	CL	TS-D	N,G,S
	U-Factor 0.28			SHGC (N / <1) 0.37 / 0.33				VT (N / <1) 0.53 / 0.47			CR 56	
957	141.094/142.094/148.094 HS / Opt 11 (INN Refo KS/LS, Foam): lami / arg / 70/36 (DS 090 DS/DS) 3/4" IG											
	0.264	0.345	0.117					ARG90	0.036(#3)	CL	TS-D	N,S
	U-Factor 0.30			SHGC (N / <1) 0.35 / 0.32				VT (N / <1) 0.52 / 0.47			CR 55	
	141.094/142.094/148.094 HS / Opt 11 (INN Refo KS/LS, Foam): 70/36 / arg / lami (DS/DS 090 DS) 3/4" IG											
	0.117	0.345	0.264					ARG90	0.036(#2)	CL	TS-D	N,S
	U-Factor 0.30			SHGC (N / <1) 0.29 / 0.26				VT (N / <1) 0.52 / 0.47			CR 55	
958	141.094/142.094/148.094 HS / Opt 11 (INN Refo KS/LS, Foam): lami / arg / 70/36 (DS 090 DS/DS) 3/4" IG											
	0.264	0.345	0.117					ARG90	0.036(#3)	CL	TS-D	G,S
	U-Factor 0.31			SHGC (<1) 0.32				VT (<1) 0.47			CR 55	
	141.094/142.094/148.094 HS / Opt 11 (INN Refo KS/LS, Foam): 70/36 / arg / lami (DS/DS 090 DS) 3/4" IG											
	0.117	0.345	0.264					ARG90	0.036(#2)	CL	TS-D	G,S
	U-Factor 0.31			SHGC (<1) 0.26				VT (<1) 0.47			CR 55	
959	141.094/142.094/148.094 HS / Opt 11 (INN Refo KS/LS, Foam): 70/36 / arg / clr / arg / 70/36 (SS/SS/SS) 3/4" IG											
	0.090	0.250	0.090	0.250	0.090			ARG90	0.036(#2) / 0.036(#5)	CL	TS-D	N,S
	U-Factor 0.24			SHGC (N / <1) 0.26 / 0.23				VT (N / <1) 0.42 / 0.37			CR 62	
960	141.094/142.094/148.094 HS / Opt 11 (INN Refo KS/LS, Foam): 70/36 / arg / clr / arg / 70/36 (SS/SS/SS) 3/4" IG											
	0.090	0.250	0.090	0.250	0.090			ARG90	0.036(#2) / 0.036(#5)	CL	TS-D	G,S
	U-Factor 0.25			SHGC (<1) 0.23				VT (<1) 0.37			CR 62	
961	141.094/142.094/148.094 HS / Opt 11 (INN Refo KS/LS, Foam): 80/70 / air / clr (SS/SS) 3/4" IG											
	0.090	0.563	0.090					AIR	0.095(#2)	CL	TS-D	N,G,S
	U-Factor 0.33			SHGC (N / <1) 0.51 / 0.46				VT (N / <1) 0.62 / 0.55			CR 53	
	141.094/142.094/148.094 HS / Opt 11 (INN Refo KS/LS, Foam): clr / air / 80/70 (SS/SS) 3/4" IG											
	0.090	0.563	0.090					AIR	0.095(#3)	CL	TS-D	N,G,S
	U-Factor 0.33			SHGC (N / <1) 0.54 / 0.49				VT (N / <1) 0.62 / 0.55			CR 53	

**NFRC 100/200/500 Summary Sheet
Windgate/Belmont/Hawthorne 2-Lite Slider**

ID	Pane Thickness 1	Gap Width 1	Pane Thickness 2	Gap Width 2	Pane Thickness 3	Gap Width 3	Pane Thickness 4	Gap Fill	Low-e (Surface#)	Tint	Spacer	Grid Type
	U-Factor			Solar Heat Gain Coefficient (SHGC) Grids (None / <1 / >=1)				Visible Transmittance (VT) Grids (None / <1 / >=1)			Condensation Resistance	
962	141.094/142.094/148.094 HS / Opt 11 (INN Refo KS/LS, Foam): 80/70 / arg / clr (SS/SS) 3/4" IG											
	0.090	0.563	0.090					ARG90	0.095(#2)	CL	TS-D	N,G,S
	U-Factor 0.30			SHGC (N / <1) 0.51 / 0.46				VT (N / <1) 0.62 / 0.55			CR 56	
	141.094/142.094/148.094 HS / Opt 11 (INN Refo KS/LS, Foam): clr / arg / 80/70 (SS/SS) 3/4" IG											
	0.090	0.563	0.090					ARG90	0.095(#3)	CL	TS-D	N,G,S
	U-Factor 0.30			SHGC (N / <1) 0.54 / 0.49				VT (N / <1) 0.62 / 0.55			CR 56	
963	141.094/142.094/148.094 HS / Opt 11 (INN Refo KS/LS, Foam): 80/70 / air / clr (DS/DS) 3/4" IG											
	0.117	0.500	0.117					AIR	0.095(#2)	CL	TS-D	N,G,S
	U-Factor 0.33			SHGC (N / <1) 0.51 / 0.45				VT (N / <1) 0.61 / 0.55			CR 52	
	141.094/142.094/148.094 HS / Opt 11 (INN Refo KS/LS, Foam): clr / air / 80/70 (DS/DS) 3/4" IG											
	0.117	0.500	0.117					AIR	0.095(#3)	CL	TS-D	N,G,S
	U-Factor 0.33			SHGC (N / <1) 0.53 / 0.48				VT (N / <1) 0.61 / 0.55			CR 52	
964	141.094/142.094/148.094 HS / Opt 11 (INN Refo KS/LS, Foam): 80/70 / arg / clr (DS/DS) 3/4" IG											
	0.117	0.500	0.117					ARG90	0.095(#2)	CL	TS-D	N,G,S
	U-Factor 0.30			SHGC (N / <1) 0.51 / 0.45				VT (N / <1) 0.61 / 0.55			CR 55	
	141.094/142.094/148.094 HS / Opt 11 (INN Refo KS/LS, Foam): clr / arg / 80/70 (DS/DS) 3/4" IG											
	0.117	0.500	0.117					ARG90	0.095(#3)	CL	TS-D	N,G,S
	U-Factor 0.30			SHGC (N / <1) 0.54 / 0.48				VT (N / <1) 0.61 / 0.55			CR 55	
965	141.094/142.094/148.094 HS / Opt 11 (INN Refo KS/LS, Foam): lami / arg / 80/70 (DS 090 DS/DS) 3/4" IG											
	0.264	0.345	0.117					ARG90	0.095(#3)	CL	TS-D	N,S
	U-Factor 0.31			SHGC (N / <1) 0.49 / 0.44				VT (N / <1) 0.60 / 0.54			CR 54	
	141.094/142.094/148.094 HS / Opt 11 (INN Refo KS/LS, Foam): 80/70 / arg / lami (DS/DS 090 DS) 3/4" IG											
	0.117	0.345	0.264					ARG90	0.095(#2)	CL	TS-D	N,S
	U-Factor 0.31			SHGC (N / <1) 0.50 / 0.45				VT (N / <1) 0.60 / 0.54			CR 54	
966	141.094/142.094/148.094 HS / Opt 11 (INN Refo KS/LS, Foam): lami / arg / 80/70 (DS 090 DS/DS) 3/4" IG											
	0.264	0.345	0.117					ARG90	0.095(#3)	CL	TS-D	G,S
	U-Factor 0.33			SHGC (<1) 0.44				VT (<1) 0.54			CR 54	
	141.094/142.094/148.094 HS / Opt 11 (INN Refo KS/LS, Foam): 80/70 / arg / lami (DS/DS 090 DS) 3/4" IG											
	0.117	0.345	0.264					ARG90	0.095(#2)	CL	TS-D	G,S
	U-Factor 0.33			SHGC (<1) 0.45				VT (<1) 0.54			CR 54	

**NFRC 100/200/500 Summary Sheet
Windgate/Belmont/Hawthorne 2-Lite Slider**

ID	Pane Thickness 1	Gap Width 1	Pane Thickness 2	Gap Width 2	Pane Thickness 3	Gap Width 3	Pane Thickness 4	Gap Fill	Low-e (Surface#)	Tint	Spacer	Grid Type
	U-Factor			Solar Heat Gain Coefficient (SHGC) Grids (None / <1 / >=1)				Visible Transmittance (VT) Grids (None / <1 / >=1)			Condensation Resistance	
967	141.094/142.094/148.094 HS / Opt 11 (INN Refo KS/LS, Foam): 80/70 / arg / clr / arg / 80/70 (SS/SS/SS) 3/4" IG											
	0.090	0.250	0.090	0.250	0.090			ARG90	0.095(#2) / 0.095(#5)	CL	TS-D	N,S
	U-Factor 0.25			SHGC (N / <1) 0.45 / 0.41				VT (N / <1) 0.56 / 0.50			CR 61	
968	141.094/142.094/148.094 HS / Opt 11 (INN Refo KS/LS, Foam): 80/70 / arg / clr / arg / 80/70 (SS/SS/SS) 3/4" IG											
	0.090	0.250	0.090	0.250	0.090			ARG90	0.095(#2) / 0.095(#5)	CL	TS-D	G,S
	U-Factor 0.26			SHGC (<1) 0.41				VT (<1) 0.50			CR 61	
969	141.094/142.094/148.094 HS / Opt 12 (INN Refo KS/LS/S, Foam): clr / air / clr (SS/SS) 3/4" IG											
	0.087	0.563	0.087					AIR		CL	P1-S	N,G,S
	U-Factor 0.44			SHGC (N / <1) 0.61 / 0.54				VT (N / <1) 0.63 / 0.56			CR 46	
970	141.094/142.094/148.094 HS / Opt 12 (INN Refo KS/LS/S, Foam): clr / air / clr (DS/DS) 3/4" IG											
	0.118	0.500	0.118					AIR		CL	P1-S	N,G,S
	U-Factor 0.44			SHGC (N / <1) 0.59 / 0.53				VT (N / <1) 0.62 / 0.56			CR 45	
971	141.094/142.094/148.094 HS / Opt 12 (INN Refo KS/LS/S, Foam): clr / air / clr (5mm/DS) 3/4" IG											
	0.185	0.438	0.118					AIR		CL	P1-S	N,G,S
	U-Factor 0.44			SHGC (N / <1) 0.57 / 0.51				VT (N / <1) 0.62 / 0.55			CR 45	
972	141.094/142.094/148.094 HS / Opt 12 (INN Refo KS/LS/S, Foam): clr / air / clr (5mm/DS) 3/4" IG											
	0.185	0.438	0.118					AIR		CL	P1-S	G
	U-Factor 0.45			SHGC (<1) 0.51				VT (<1) 0.55			CR 45	
973	141.094/142.094/148.094 HS / Opt 12 (INN Refo KS/LS/S, Foam): lami / air / clr (DS 090 DS/DS) 3/4" IG											
	0.264	0.345	0.118					AIR		CL	P1-S	N,S
	U-Factor 0.46			SHGC (N / <1) 0.55 / 0.49				VT (N / <1) 0.61 / 0.55			CR 44	
	141.094/142.094/148.094 HS / Opt 12 (INN Refo KS/LS/S, Foam): clr / air / lami (DS/DS 090 DS) 3/4" IG											
	0.118	0.345	0.264					AIR		CL	P1-S	N,S
	U-Factor 0.46			SHGC (N / <1) 0.57 / 0.51				VT (N / <1) 0.61 / 0.55			CR 44	
974	141.094/142.094/148.094 HS / Opt 12 (INN Refo KS/LS/S, Foam): lami / air / clr (DS 090 DS/DS) 3/4" IG											
	0.264	0.345	0.118					AIR		CL	P1-S	G,S
	U-Factor 0.46			SHGC (<1) 0.49				VT (<1) 0.55			CR 44	
	141.094/142.094/148.094 HS / Opt 12 (INN Refo KS/LS/S, Foam): clr / air / lami (DS/DS 090 DS) 3/4" IG											
	0.118	0.345	0.264					AIR		CL	P1-S	G,S
	U-Factor 0.46			SHGC (<1) 0.51				VT (<1) 0.55			CR 44	

**NFRC 100/200/500 Summary Sheet
Windgate/Belmont/Hawthorne 2-Lite Slider**

ID	Pane Thickness 1	Gap Width 1	Pane Thickness 2	Gap Width 2	Pane Thickness 3	Gap Width 3	Pane Thickness 4	Gap Fill	Low-e (Surface#)	Tint	Spacer	Grid Type
	U-Factor			Solar Heat Gain Coefficient (SHGC) Grids (None / <1 / >=1)				Visible Transmittance (VT) Grids (None / <1 / >=1)			Condensation Resistance	
975	141.094/142.094/148.094 HS / Opt 12 (INN Refo KS/LS/S, Foam): clr / air / clr / air / clr (SS/SS/SS) 3/4" IG (P1-S)											
	0.087	0.250	0.087	0.250	0.087			AIR		CL	P1-S	N,S
	U-Factor 0.36			SHGC (N / <1) 0.55 / 0.49				VT (N / <1) 0.58 / 0.52			CR 53	
976	141.094/142.094/148.094 HS / Opt 12 (INN Refo KS/LS/S, Foam): clr / air / clr / air / clr (SS/SS/SS) 3/4" IG (P1-S)											
	0.087	0.250	0.087	0.250	0.087			AIR		CL	P1-S	G,S
	U-Factor 0.37			SHGC (<1) 0.49				VT (<1) 0.52			CR 53	
977	141.094/142.094/148.094 HS / Opt 12 (INN Refo KS/LS/S, Foam): E270 / air / clr (SS/SS) 3/4" IG											
	0.087	0.563	0.087					AIR	0.037(#2)	CL	P1-S	N,G,S
	U-Factor 0.30			SHGC (N / <1) 0.29 / 0.26				VT (N / <1) 0.54 / 0.48			CR 58	
	141.094/142.094/148.094 HS / Opt 12 (INN Refo KS/LS/S, Foam): clr / air / E270 (SS/SS) 3/4" IG											
	0.087	0.563	0.087					AIR	0.037(#3)	CL	P1-S	N,G,S
	U-Factor 0.30			SHGC (N / <1) 0.35 / 0.32				VT (N / <1) 0.54 / 0.48			CR 58	
978	141.094/142.094/148.094 HS / Opt 12 (INN Refo KS/LS/S, Foam): E270 / arg / clr (SS/SS) 3/4" IG											
	0.087	0.563	0.087					ARG90	0.037(#2)	CL	P1-S	N,G,S
	U-Factor 0.27			SHGC (N / <1) 0.28 / 0.26				VT (N / <1) 0.54 / 0.48			CR 62	
	141.094/142.094/148.094 HS / Opt 12 (INN Refo KS/LS/S, Foam): clr / arg / E270 (SS/SS) 3/4" IG											
	0.087	0.563	0.087					ARG90	0.037(#3)	CL	P1-S	N,G,S
	U-Factor 0.27			SHGC (N / <1) 0.36 / 0.32				VT (N / <1) 0.54 / 0.48			CR 62	
979	141.094/142.094/148.094 HS / Opt 12 (INN Refo KS/LS/S, Foam): E270 / air / clr (DS/DS) 3/4" IG											
	0.118	0.500	0.118					AIR	0.037(#2)	CL	P1-S	N,G,S
	U-Factor 0.30			SHGC (N / <1) 0.29 / 0.26				VT (N / <1) 0.53 / 0.47			CR 58	
	141.094/142.094/148.094 HS / Opt 12 (INN Refo KS/LS/S, Foam): clr / air / E270 (DS/DS) 3/4" IG											
	0.118	0.500	0.118					AIR	0.037(#3)	CL	P1-S	N,G,S
	U-Factor 0.30			SHGC (N / <1) 0.35 / 0.31				VT (N / <1) 0.53 / 0.47			CR 58	
980	141.094/142.094/148.094 HS / Opt 12 (INN Refo KS/LS/S, Foam): E270 / arg / clr (DS/DS) 3/4" IG											
	0.118	0.500	0.118					ARG90	0.037(#2)	CL	P1-S	N,G,S
	U-Factor 0.27			SHGC (N / <1) 0.28 / 0.25				VT (N / <1) 0.53 / 0.47			CR 61	
	141.094/142.094/148.094 HS / Opt 12 (INN Refo KS/LS/S, Foam): clr / arg / E270 (DS/DS) 3/4" IG											
	0.118	0.500	0.118					ARG90	0.037(#3)	CL	P1-S	N,G,S
	U-Factor 0.27			SHGC (N / <1) 0.35 / 0.32				VT (N / <1) 0.53 / 0.47			CR 61	

NFRC 100/200/500 Summary Sheet
Windgate/Belmont/Hawthorne 2-Lite Slider

ID	Pane Thickness 1	Gap Width 1	Pane Thickness 2	Gap Width 2	Pane Thickness 3	Gap Width 3	Pane Thickness 4	Gap Fill	Low-e (Surface#)	Tint	Spacer	Grid Type
	U-Factor			Solar Heat Gain Coefficient (SHGC) Grids (None / <1 / >=1)				Visible Transmittance (VT) Grids (None / <1 / >=1)			Condensation Resistance	
981	141.094/142.094/148.094 HS / Opt 12 (INN Refo KS/LS/S, Foam): lami / arg / E270 (DS 090 DS/DS) 3/4" IG											
	0.264	0.345	0.118					ARG90	0.037(#3)	CL	P1-S	N,S
	U-Factor 0.29			SHGC (N / <1) 0.33 / 0.30				VT (N / <1) 0.52 / 0.47			CR	59
	141.094/142.094/148.094 HS / Opt 12 (INN Refo KS/LS/S, Foam): E270 / arg / lami (DS/DS 090 DS) 3/4" IG											
	0.118	0.345	0.264					ARG90	0.037(#2)	CL	P1-S	N,S
	U-Factor 0.29			SHGC (N / <1) 0.28 / 0.25				VT (N / <1) 0.52 / 0.47			CR	59
982	141.094/142.094/148.094 HS / Opt 12 (INN Refo KS/LS/S, Foam): lami / arg / E270 (DS 090 DS/DS) 3/4" IG											
	0.264	0.345	0.118					ARG90	0.037(#3)	CL	P1-S	G,S
	U-Factor 0.30			SHGC (<1) 0.30				VT (<1) 0.47			CR	59
	141.094/142.094/148.094 HS / Opt 12 (INN Refo KS/LS/S, Foam): E270 / arg / lami (DS/DS 090 DS) 3/4" IG											
	0.118	0.345	0.264					ARG90	0.037(#2)	CL	P1-S	G,S
	U-Factor 0.30			SHGC (<1) 0.25				VT (<1) 0.47			CR	59
983	141.094/142.094/148.094 HS / Opt 12 (INN Refo KS/LS/S, Foam): E270 / arg / clr / arg / E270 (SS/SS/SS) 3/4" IG (P1-S)											
	0.087	0.250	0.087	0.250	0.087			ARG90	0.037(#2) / 0.037(#5)	CL	P1-S	N,S
	U-Factor 0.23			SHGC (N / <1) 0.24 / 0.22				VT (N / <1) 0.42 / 0.37			CR	67
984	141.094/142.094/148.094 HS / Opt 12 (INN Refo KS/LS/S, Foam): E270 / arg / clr / arg / E270 (SS/SS/SS) 3/4" IG (P1-S)											
	0.087	0.250	0.087	0.250	0.087			ARG90	0.037(#2) / 0.037(#5)	CL	P1-S	G,S
	U-Factor 0.24			SHGC (<1) 0.22				VT (<1) 0.37			CR	67
985	141.094/142.094/148.094 HS / Opt 12 (INN Refo KS/LS/S, Foam): E366 / air / clr (SS/SS) 3/4" IG											
	0.087	0.563	0.087					AIR	0.022(#2)	CL	P1-S	N,G,S
	U-Factor 0.30			SHGC (N / <1) 0.21 / 0.19				VT (N / <1) 0.50 / 0.44			CR	59
	141.094/142.094/148.094 HS / Opt 12 (INN Refo KS/LS/S, Foam): clr / air / E366 (SS/SS) 3/4" IG											
	0.087	0.563	0.087					AIR	0.022(#3)	CL	P1-S	N,G,S
	U-Factor 0.30			SHGC (N / <1) 0.30 / 0.27				VT (N / <1) 0.50 / 0.44			CR	59
986	141.094/142.094/148.094 HS / Opt 12 (INN Refo KS/LS/S, Foam): E366 / arg / clr (SS/SS) 3/4" IG											
	0.087	0.563	0.087					ARG90	0.022(#2)	CL	P1-S	N,G,S
	U-Factor 0.26			SHGC (N / <1) 0.21 / 0.19				VT (N / <1) 0.50 / 0.44			CR	63
	141.094/142.094/148.094 HS / Opt 12 (INN Refo KS/LS/S, Foam): clr / arg / E366 (SS/SS) 3/4" IG											
	0.087	0.563	0.087					ARG90	0.022(#3)	CL	P1-S	N,G,S
	U-Factor 0.26			SHGC (N / <1) 0.30 / 0.27				VT (N / <1) 0.50 / 0.44			CR	63

NFRC 100/200/500 Summary Sheet
Windgate/Belmont/Hawthorne 2-Lite Slider

ID	Pane Thickness 1	Gap Width 1	Pane Thickness 2	Gap Width 2	Pane Thickness 3	Gap Width 3	Pane Thickness 4	Gap Fill	Low-e (Surface#)	Tint	Spacer	Grid Type
	U-Factor			Solar Heat Gain Coefficient (SHGC) Grids (None / <1 / >=1)				Visible Transmittance (VT) Grids (None / <1 / >=1)			Condensation Resistance	
987	141.094/142.094/148.094 HS / Opt 12 (INN Refo KS/LS/S, Foam): E366 / air / clr (DS/DS) 3/4" IG											
	0.117	0.500	0.118					AIR	0.022(#2)	CL	P1-S	N,G,S
	U-Factor 0.30			SHGC (N / <1) 0.21 / 0.19				VT (N / <1) 0.49 / 0.44			CR 58	
	141.094/142.094/148.094 HS / Opt 12 (INN Refo KS/LS/S, Foam): clr / air / E366 (DS/DS) 3/4" IG											
	0.118	0.500	0.117					AIR	0.022(#3)	CL	P1-S	N,G,S
	U-Factor 0.30			SHGC (N / <1) 0.29 / 0.27				VT (N / <1) 0.49 / 0.44			CR 58	
988	141.094/142.094/148.094 HS / Opt 12 (INN Refo KS/LS/S, Foam): E366 / arg / clr (DS/DS) 3/4" IG											
	0.117	0.500	0.118					ARG90	0.022(#2)	CL	P1-S	N,G,S
	U-Factor 0.26			SHGC (N / <1) 0.21 / 0.19				VT (N / <1) 0.49 / 0.44			CR 62	
	141.094/142.094/148.094 HS / Opt 12 (INN Refo KS/LS/S, Foam): clr / arg / E366 (DS/DS) 3/4" IG											
	0.118	0.500	0.117					ARG90	0.022(#3)	CL	P1-S	N,G,S
	U-Factor 0.26			SHGC (N / <1) 0.30 / 0.27				VT (N / <1) 0.49 / 0.44			CR 62	
989	141.094/142.094/148.094 HS / Opt 12 (INN Refo KS/LS/S, Foam): lami / arg / E366 (DS 090 DS/DS) 3/4" IG											
	0.264	0.345	0.117					ARG90	0.022(#3)	CL	P1-S	N,S
	U-Factor 0.28			SHGC (N / <1) 0.29 / 0.26				VT (N / <1) 0.48 / 0.43			CR 60	
	141.094/142.094/148.094 HS / Opt 12 (INN Refo KS/LS/S, Foam): E366 / arg / lami (DS/DS 090 DS) 3/4" IG											
	0.117	0.345	0.264					ARG90	0.022(#2)	CL	P1-S	N,S
	U-Factor 0.28			SHGC (N / <1) 0.21 / 0.19				VT (N / <1) 0.48 / 0.43			CR 60	
990	141.094/142.094/148.094 HS / Opt 12 (INN Refo KS/LS/S, Foam): lami / arg / E366 (DS 090 DS/DS) 3/4" IG											
	0.264	0.345	0.117					ARG90	0.022(#3)	CL	P1-S	G,S
	U-Factor 0.30			SHGC (<1) 0.26				VT (<1) 0.43			CR 60	
	141.094/142.094/148.094 HS / Opt 12 (INN Refo KS/LS/S, Foam): E366 / arg / lami (DS/DS 090 DS) 3/4" IG											
	0.117	0.345	0.264					ARG90	0.022(#2)	CL	P1-S	G,S
	U-Factor 0.30			SHGC (<1) 0.19				VT (<1) 0.43			CR 60	
991	141.094/142.094/148.094 HS / Opt 12 (INN Refo KS/LS/S, Foam): E366 / arg / clr / arg / E366 (SS/SS/SS) 3/4" IG (P1-S)											
	0.087	0.250	0.087	0.250	0.087			ARG90	0.022(#2) / 0.022(#5)	CL	P1-S	N,S
	U-Factor 0.23			SHGC (N / <1) 0.19 / 0.17				VT (N / <1) 0.36 / 0.32			CR 68	
992	141.094/142.094/148.094 HS / Opt 12 (INN Refo KS/LS/S, Foam): E366 / arg / clr / arg / E366 (SS/SS/SS) 3/4" IG (P1-S)											
	0.087	0.250	0.087	0.250	0.087			ARG90	0.022(#2) / 0.022(#5)	CL	P1-S	G,S
	U-Factor 0.23			SHGC (<1) 0.17				VT (<1) 0.32			CR 68	

NFRC 100/200/500 Summary Sheet
Windgate/Belmont/Hawthorne 2-Lite Slider

ID	Pane Thickness 1	Gap Width 1	Pane Thickness 2	Gap Width 2	Pane Thickness 3	Gap Width 3	Pane Thickness 4	Gap Fill	Low-e (Surface#)	Tint	Spacer	Grid Type
	U-Factor			Solar Heat Gain Coefficient (SHGC) Grids (None / <1 / >=1)				Visible Transmittance (VT) Grids (None / <1 / >=1)			Condensation Resistance	
993	141.094/142.094/148.094 HS / Opt 12 (INN Refo KS/LS/S, Foam): 70/36 / air / clr (SS/SS) 3/4" IG											
	0.090	0.563	0.090					AIR	0.036(#2)	CL	P1-S	N,G,S
	U-Factor 0.30			SHGC (N / <1) 0.30 / 0.27				VT (N / <1) 0.54 / 0.48			CR 58	
	141.094/142.094/148.094 HS / Opt 12 (INN Refo KS/LS/S, Foam): clr / air / 70/36 (SS/SS) 3/4" IG											
	0.090	0.563	0.090					AIR	0.036(#3)	CL	P1-S	N,G,S
	U-Factor 0.30			SHGC (N / <1) 0.37 / 0.33				VT (N / <1) 0.54 / 0.48			CR 58	
994	141.094/142.094/148.094 HS / Opt 12 (INN Refo KS/LS/S, Foam): 70/36 / arg / clr (SS/SS) 3/4" IG											
	0.090	0.563	0.090					ARG90	0.036(#2)	CL	P1-S	N,G,S
	U-Factor 0.27			SHGC (N / <1) 0.30 / 0.27				VT (N / <1) 0.54 / 0.48			CR 62	
	141.094/142.094/148.094 HS / Opt 12 (INN Refo KS/LS/S, Foam): clr / arg / 70/36 (SS/SS) 3/4" IG											
	0.090	0.563	0.090					ARG90	0.036(#3)	CL	P1-S	N,G,S
	U-Factor 0.27			SHGC (N / <1) 0.38 / 0.34				VT (N / <1) 0.54 / 0.48			CR 62	
995	141.094/142.094/148.094 HS / Opt 12 (INN Refo KS/LS/S, Foam): 70/36 / air / clr (DS/DS) 3/4" IG											
	0.117	0.500	0.117					AIR	0.036(#2)	CL	P1-S	N,G,S
	U-Factor 0.30			SHGC (N / <1) 0.30 / 0.27				VT (N / <1) 0.53 / 0.47			CR 58	
	141.094/142.094/148.094 HS / Opt 12 (INN Refo KS/LS/S, Foam): clr / air / 70/36 (DS/DS) 3/4" IG											
	0.117	0.500	0.117					AIR	0.036(#3)	CL	P1-S	N,G,S
	U-Factor 0.30			SHGC (N / <1) 0.37 / 0.33				VT (N / <1) 0.53 / 0.47			CR 58	
996	141.094/142.094/148.094 HS / Opt 12 (INN Refo KS/LS/S, Foam): 70/36 / arg / clr (DS/DS) 3/4" IG											
	0.117	0.500	0.117					ARG90	0.036(#2)	CL	P1-S	N,G,S
	U-Factor 0.27			SHGC (N / <1) 0.29 / 0.27				VT (N / <1) 0.53 / 0.47			CR 61	
	141.094/142.094/148.094 HS / Opt 12 (INN Refo KS/LS/S, Foam): clr / arg / 70/36 (DS/DS) 3/4" IG											
	0.117	0.500	0.117					ARG90	0.036(#3)	CL	P1-S	N,G,S
	U-Factor 0.27			SHGC (N / <1) 0.37 / 0.33				VT (N / <1) 0.53 / 0.47			CR 61	
997	141.094/142.094/148.094 HS / Opt 12 (INN Refo KS/LS/S, Foam): lami / arg / 70/36 (DS 090 DS/DS) 3/4" IG											
	0.264	0.345	0.117					ARG90	0.036(#3)	CL	P1-S	N,S
	U-Factor 0.29			SHGC (N / <1) 0.35 / 0.32				VT (N / <1) 0.52 / 0.47			CR 59	
	141.094/142.094/148.094 HS / Opt 12 (INN Refo KS/LS/S, Foam): 70/36 / arg / lami (DS/DS 090 DS) 3/4" IG											
	0.117	0.345	0.264					ARG90	0.036(#2)	CL	P1-S	N,S
	U-Factor 0.29			SHGC (N / <1) 0.29 / 0.26				VT (N / <1) 0.52 / 0.47			CR 59	

NFRC 100/200/500 Summary Sheet
Windgate/Belmont/Hawthorne 2-Lite Slider

ID	Pane Thickness 1	Gap Width 1	Pane Thickness 2	Gap Width 2	Pane Thickness 3	Gap Width 3	Pane Thickness 4	Gap Fill	Low-e (Surface#)	Tint	Spacer	Grid Type
	U-Factor			Solar Heat Gain Coefficient (SHGC) Grids (None / <1 / >=1)				Visible Transmittance (VT) Grids (None / <1 / >=1)			Condensation Resistance	
998	141.094/142.094/148.094 HS / Opt 12 (INN Refo KS/LS/S, Foam): lami / arg / 70/36 (DS 090 DS/DS) 3/4" IG											
	0.264	0.345	0.117					ARG90	0.036(#3)	CL	P1-S	G,S
	U-Factor 0.30			SHGC (<1) 0.32				VT (<1) 0.47			CR 59	
	141.094/142.094/148.094 HS / Opt 12 (INN Refo KS/LS/S, Foam): 70/36 / arg / lami (DS/DS 090 DS) 3/4" IG											
	0.117	0.345	0.264					ARG90	0.036(#2)	CL	P1-S	G,S
	U-Factor 0.30			SHGC (<1) 0.26				VT (<1) 0.47			CR 59	
999	141.094/142.094/148.094 HS / Opt 12 (INN Refo KS/LS/S, Foam): 70/36 / arg / clr / arg / 70/36 (SS/SS/SS) 3/4" IG											
	0.090	0.250	0.090	0.250	0.090			ARG90	0.036(#2) / 0.036(#5)	CL	P1-S	N,S
	U-Factor 0.23			SHGC (N / <1) 0.26 / 0.23				VT (N / <1) 0.42 / 0.37			CR 67	
1000	141.094/142.094/148.094 HS / Opt 12 (INN Refo KS/LS/S, Foam): 70/36 / arg / clr / arg / 70/36 (SS/SS/SS) 3/4" IG											
	0.090	0.250	0.090	0.250	0.090			ARG90	0.036(#2) / 0.036(#5)	CL	P1-S	G,S
	U-Factor 0.24			SHGC (<1) 0.23				VT (<1) 0.37			CR 67	
1001	141.094/142.094/148.094 HS / Opt 12 (INN Refo KS/LS/S, Foam): 80/70 / air / clr (SS/SS) 3/4" IG											
	0.090	0.563	0.090					AIR	0.095(#2)	CL	P1-S	N,G,S
	U-Factor 0.32			SHGC (N / <1) 0.51 / 0.46				VT (N / <1) 0.62 / 0.55			CR 57	
	141.094/142.094/148.094 HS / Opt 12 (INN Refo KS/LS/S, Foam): clr / air / 80/70 (SS/SS) 3/4" IG											
	0.090	0.563	0.090					AIR	0.095(#3)	CL	P1-S	N,G,S
	U-Factor 0.32			SHGC (N / <1) 0.54 / 0.49				VT (N / <1) 0.62 / 0.55			CR 57	
1002	141.094/142.094/148.094 HS / Opt 12 (INN Refo KS/LS/S, Foam): 80/70 / arg / clr (SS/SS) 3/4" IG											
	0.090	0.563	0.090					ARG90	0.095(#2)	CL	P1-S	N,G,S
	U-Factor 0.29			SHGC (N / <1) 0.51 / 0.46				VT (N / <1) 0.62 / 0.55			CR 61	
	141.094/142.094/148.094 HS / Opt 12 (INN Refo KS/LS/S, Foam): clr / arg / 80/70 (SS/SS) 3/4" IG											
	0.090	0.563	0.090					ARG90	0.095(#3)	CL	P1-S	N,G,S
	U-Factor 0.29			SHGC (N / <1) 0.54 / 0.49				VT (N / <1) 0.62 / 0.55			CR 61	
1003	141.094/142.094/148.094 HS / Opt 12 (INN Refo KS/LS/S, Foam): 80/70 / air / clr (DS/DS) 3/4" IG											
	0.117	0.500	0.117					AIR	0.095(#2)	CL	P1-S	N,G,S
	U-Factor 0.32			SHGC (N / <1) 0.51 / 0.45				VT (N / <1) 0.61 / 0.55			CR 56	
	141.094/142.094/148.094 HS / Opt 12 (INN Refo KS/LS/S, Foam): clr / air / 80/70 (DS/DS) 3/4" IG											
	0.117	0.500	0.117					AIR	0.095(#3)	CL	P1-S	N,G,S
	U-Factor 0.32			SHGC (N / <1) 0.53 / 0.48				VT (N / <1) 0.61 / 0.55			CR 56	

NFRC 100/200/500 Summary Sheet
Windgate/Belmont/Hawthorne 2-Lite Slider

ID	Pane Thickness 1	Gap Width 1	Pane Thickness 2	Gap Width 2	Pane Thickness 3	Gap Width 3	Pane Thickness 4	Gap Fill	Low-e (Surface#)	Tint	Spacer	Grid Type
	U-Factor			Solar Heat Gain Coefficient (SHGC) Grids (None / <1 / >=1)				Visible Transmittance (VT) Grids (None / <1 / >=1)			Condensation Resistance	
1004	141.094/142.094/148.094 HS / Opt 12 (INN Refo KS/LS/S, Foam): 80/70 / arg / clr (DS/DS) 3/4" IG											
	0.117	0.500	0.117					ARG90	0.095(#2)	CL	P1-S	N,G,S
	U-Factor 0.28			SHGC (N / <1) 0.51 / 0.45				VT (N / <1) 0.61 / 0.55			CR 60	
	141.094/142.094/148.094 HS / Opt 12 (INN Refo KS/LS/S, Foam): clr / arg / 80/70 (DS/DS) 3/4" IG											
	0.117	0.500	0.117					ARG90	0.095(#3)	CL	P1-S	N,G,S
	U-Factor 0.28			SHGC (N / <1) 0.54 / 0.48				VT (N / <1) 0.61 / 0.55			CR 60	
1005	141.094/142.094/148.094 HS / Opt 12 (INN Refo KS/LS/S, Foam): lami / arg / 80/70 (DS 090 DS/DS) 3/4" IG											
	0.264	0.345	0.117					ARG90	0.095(#3)	CL	P1-S	N,S
	U-Factor 0.30			SHGC (N / <1) 0.49 / 0.44				VT (N / <1) 0.60 / 0.54			CR 58	
	141.094/142.094/148.094 HS / Opt 12 (INN Refo KS/LS/S, Foam): 80/70 / arg / lami (DS/DS 090 DS) 3/4" IG											
	0.117	0.345	0.264					ARG90	0.095(#2)	CL	P1-S	N,S
	U-Factor 0.30			SHGC (N / <1) 0.50 / 0.45				VT (N / <1) 0.60 / 0.54			CR 58	
1006	141.094/142.094/148.094 HS / Opt 12 (INN Refo KS/LS/S, Foam): lami / arg / 80/70 (DS 090 DS/DS) 3/4" IG											
	0.264	0.345	0.117					ARG90	0.095(#3)	CL	P1-S	G,S
	U-Factor 0.31			SHGC (<1) 0.44				VT (<1) 0.54			CR 58	
	141.094/142.094/148.094 HS / Opt 12 (INN Refo KS/LS/S, Foam): 80/70 / arg / lami (DS/DS 090 DS) 3/4" IG											
	0.117	0.345	0.264					ARG90	0.095(#2)	CL	P1-S	G,S
	U-Factor 0.31			SHGC (<1) 0.45				VT (<1) 0.54			CR 58	
1007	141.094/142.094/148.094 HS / Opt 12 (INN Refo KS/LS/S, Foam): 80/70 / arg / clr / arg / 80/70 (SS/SS/SS) 3/4" IG											
	0.090	0.250	0.090	0.250	0.090			ARG90	0.095(#2) / 0.095(#5)	CL	P1-S	N,S
	U-Factor 0.24			SHGC (N / <1) 0.45 / 0.41				VT (N / <1) 0.56 / 0.50			CR 66	
1008	141.094/142.094/148.094 HS / Opt 12 (INN Refo KS/LS/S, Foam): 80/70 / arg / clr / arg / 80/70 (SS/SS/SS) 3/4" IG											
	0.090	0.250	0.090	0.250	0.090			ARG90	0.095(#2) / 0.095(#5)	CL	P1-S	G,S
	U-Factor 0.25			SHGC (<1) 0.41				VT (<1) 0.50			CR 66	
1009	141.094/142.094/148.094 HS / Opt 12 (INN Refo KS/LS/S, Foam): clr / air / clr (SS/SS) 3/4" IG											
	0.087	0.563	0.087					AIR		CL	SS-D	N,G,S
	U-Factor 0.45			SHGC (N / <1) 0.61 / 0.54				VT (N / <1) 0.63 / 0.56			CR 44	
1010	141.094/142.094/148.094 HS / Opt 12 (INN Refo KS/LS/S, Foam): clr / air / clr (DS/DS) 3/4" IG											
	0.118	0.500	0.118					AIR		CL	SS-D	N,G,S
	U-Factor 0.44			SHGC (N / <1) 0.59 / 0.53				VT (N / <1) 0.62 / 0.56			CR 44	

NFRC 100/200/500 Summary Sheet
Windgate/Belmont/Hawthorne 2-Lite Slider

ID	Pane Thickness 1	Gap Width 1	Pane Thickness 2	Gap Width 2	Pane Thickness 3	Gap Width 3	Pane Thickness 4	Gap Fill	Low-e (Surface#)	Tint	Spacer	Grid Type
	U-Factor			Solar Heat Gain Coefficient (SHGC) Grids (None / <1 / >=1)				Visible Transmittance (VT) Grids (None / <1 / >=1)			Condensation Resistance	
1011	141.094/142.094/148.094 HS / Opt 12 (INN Refo KS/LS/S, Foam): clr / air / clr (5mm/DS) 3/4" IG											
	0.185	0.438	0.118					AIR		CL	SS-D	N,G,S
	U-Factor 0.45			SHGC (N / <1) 0.57 / 0.51				VT (N / <1) 0.62 / 0.55			CR 43	
1012	141.094/142.094/148.094 HS / Opt 12 (INN Refo KS/LS/S, Foam): clr / air / clr (5mm/DS) 3/4" IG											
	0.185	0.438	0.118					AIR		CL	SS-D	G
	U-Factor 0.45			SHGC (<1) 0.51				VT (<1) 0.55			CR 43	
1013	141.094/142.094/148.094 HS / Opt 12 (INN Refo KS/LS/S, Foam): lami / air / clr (DS 090 DS/DS) 3/4" IG											
	0.264	0.345	0.118					AIR		CL	SS-D	N,S
	U-Factor 0.46			SHGC (N / <1) 0.55 / 0.49				VT (N / <1) 0.61 / 0.55			CR 42	
	141.094/142.094/148.094 HS / Opt 12 (INN Refo KS/LS/S, Foam): clr / air / lami (DS/DS 090 DS) 3/4" IG											
	0.118	0.345	0.264					AIR		CL	SS-D	N,S
	U-Factor 0.46			SHGC (N / <1) 0.57 / 0.51				VT (N / <1) 0.61 / 0.55			CR 42	
1014	141.094/142.094/148.094 HS / Opt 12 (INN Refo KS/LS/S, Foam): lami / air / clr (DS 090 DS/DS) 3/4" IG											
	0.264	0.345	0.118					AIR		CL	SS-D	G,S
	U-Factor 0.47			SHGC (<1) 0.49				VT (<1) 0.55			CR 42	
	141.094/142.094/148.094 HS / Opt 12 (INN Refo KS/LS/S, Foam): clr / air / lami (DS/DS 090 DS) 3/4" IG											
	0.118	0.345	0.264					AIR		CL	SS-D	G,S
	U-Factor 0.47			SHGC (<1) 0.51				VT (<1) 0.55			CR 42	
1015	141.094/142.094/148.094 HS / Opt 12 (INN Refo KS/LS/S, Foam): clr / air / clr / air / clr (SS/SS/SS) 3/4" IG (P1-S)											
	0.087	0.250	0.087	0.250	0.087			AIR		CL	SS-D	N,S
	U-Factor 0.37			SHGC (N / <1) 0.55 / 0.49				VT (N / <1) 0.58 / 0.52			CR 52	
1016	141.094/142.094/148.094 HS / Opt 12 (INN Refo KS/LS/S, Foam): clr / air / clr / air / clr (SS/SS/SS) 3/4" IG (P1-S)											
	0.087	0.250	0.087	0.250	0.087			AIR		CL	SS-D	G,S
	U-Factor 0.38			SHGC (<1) 0.49				VT (<1) 0.52			CR 52	
1017	141.094/142.094/148.094 HS / Opt 12 (INN Refo KS/LS/S, Foam): E270 / air / clr (SS/SS) 3/4" IG											
	0.087	0.563	0.087					AIR	0.037(#2)	CL	SS-D	N,G,S
	U-Factor 0.31			SHGC (N / <1) 0.29 / 0.26				VT (N / <1) 0.54 / 0.48			CR 56	
	141.094/142.094/148.094 HS / Opt 12 (INN Refo KS/LS/S, Foam): clr / air / E270 (SS/SS) 3/4" IG											
	0.087	0.563	0.087					AIR	0.037(#3)	CL	SS-D	N,G,S
	U-Factor 0.31			SHGC (N / <1) 0.35 / 0.32				VT (N / <1) 0.54 / 0.48			CR 56	

NFRC 100/200/500 Summary Sheet
Windgate/Belmont/Hawthorne 2-Lite Slider

ID	Pane Thickness 1	Gap Width 1	Pane Thickness 2	Gap Width 2	Pane Thickness 3	Gap Width 3	Pane Thickness 4	Gap Fill	Low-e (Surface#)	Tint	Spacer	Grid Type
	U-Factor			Solar Heat Gain Coefficient (SHGC) Grids (None / <1 / >=1)				Visible Transmittance (VT) Grids (None / <1 / >=1)			Condensation Resistance	
1018	141.094/142.094/148.094 HS / Opt 12 (INN Refo KS/LS/S, Foam): E270 / arg / clr (SS/SS) 3/4" IG											
	0.087	0.563	0.087					ARG90	0.037(#2)	CL	SS-D	N,G,S
	U-Factor 0.28			SHGC (N / <1) 0.28 / 0.26				VT (N / <1) 0.54 / 0.48			CR 59	
	141.094/142.094/148.094 HS / Opt 12 (INN Refo KS/LS/S, Foam): clr / arg / E270 (SS/SS) 3/4" IG											
	0.087	0.563	0.087					ARG90	0.037(#3)	CL	SS-D	N,G,S
	U-Factor 0.28			SHGC (N / <1) 0.36 / 0.32				VT (N / <1) 0.54 / 0.48			CR 59	
1019	141.094/142.094/148.094 HS / Opt 12 (INN Refo KS/LS/S, Foam): E270 / air / clr (DS/DS) 3/4" IG											
	0.118	0.500	0.118					AIR	0.037(#2)	CL	SS-D	N,G,S
	U-Factor 0.31			SHGC (N / <1) 0.29 / 0.26				VT (N / <1) 0.53 / 0.47			CR 55	
	141.094/142.094/148.094 HS / Opt 12 (INN Refo KS/LS/S, Foam): clr / air / E270 (DS/DS) 3/4" IG											
	0.118	0.500	0.118					AIR	0.037(#3)	CL	SS-D	N,G,S
	U-Factor 0.31			SHGC (N / <1) 0.35 / 0.31				VT (N / <1) 0.53 / 0.47			CR 55	
1020	141.094/142.094/148.094 HS / Opt 12 (INN Refo KS/LS/S, Foam): E270 / arg / clr (DS/DS) 3/4" IG											
	0.118	0.500	0.118					ARG90	0.037(#2)	CL	SS-D	N,G,S
	U-Factor 0.27			SHGC (N / <1) 0.28 / 0.25				VT (N / <1) 0.53 / 0.47			CR 58	
	141.094/142.094/148.094 HS / Opt 12 (INN Refo KS/LS/S, Foam): clr / arg / E270 (DS/DS) 3/4" IG											
	0.118	0.500	0.118					ARG90	0.037(#3)	CL	SS-D	N,G,S
	U-Factor 0.27			SHGC (N / <1) 0.35 / 0.32				VT (N / <1) 0.53 / 0.47			CR 58	
1021	141.094/142.094/148.094 HS / Opt 12 (INN Refo KS/LS/S, Foam): lami / arg / E270 (DS 090 DS/DS) 3/4" IG											
	0.264	0.345	0.118					ARG90	0.037(#3)	CL	SS-D	N,S
	U-Factor 0.29			SHGC (N / <1) 0.33 / 0.30				VT (N / <1) 0.52 / 0.47			CR 56	
	141.094/142.094/148.094 HS / Opt 12 (INN Refo KS/LS/S, Foam): E270 / arg / lami (DS/DS 090 DS) 3/4" IG											
	0.118	0.345	0.264					ARG90	0.037(#2)	CL	SS-D	N,S
	U-Factor 0.29			SHGC (N / <1) 0.28 / 0.25				VT (N / <1) 0.52 / 0.47			CR 56	
1022	141.094/142.094/148.094 HS / Opt 12 (INN Refo KS/LS/S, Foam): lami / arg / E270 (DS 090 DS/DS) 3/4" IG											
	0.264	0.345	0.118					ARG90	0.037(#3)	CL	SS-D	G,S
	U-Factor 0.31			SHGC (<1) 0.30				VT (<1) 0.47			CR 56	
	141.094/142.094/148.094 HS / Opt 12 (INN Refo KS/LS/S, Foam): E270 / arg / lami (DS/DS 090 DS) 3/4" IG											
	0.118	0.345	0.264					ARG90	0.037(#2)	CL	SS-D	G,S
	U-Factor 0.31			SHGC (<1) 0.25				VT (<1) 0.47			CR 56	

NFRC 100/200/500 Summary Sheet
Windgate/Belmont/Hawthorne 2-Lite Slider

ID	Pane Thickness 1	Gap Width 1	Pane Thickness 2	Gap Width 2	Pane Thickness 3	Gap Width 3	Pane Thickness 4	Gap Fill	Low-e (Surface#)	Tint	Spacer	Grid Type
	U-Factor			Solar Heat Gain Coefficient (SHGC) Grids (None / <1 / >=1)				Visible Transmittance (VT) Grids (None / <1 / >=1)			Condensation Resistance	
1023	141.094/142.094/148.094 HS / Opt 12 (INN Refo KS/LS/S, Foam): E270 / arg / clr / arg / E270 (SS/SS/SS) 3/4" IG (SS-D)											
	0.087	0.266	0.087	0.266	0.087			ARG90	0.037(#2) / 0.037(#5)	CL	SS-D	N,S
	U-Factor 0.23			SHGC (N / <1) 0.24 / 0.22				VT (N / <1) 0.42 / 0.37			CR 65	
1024	141.094/142.094/148.094 HS / Opt 12 (INN Refo KS/LS/S, Foam): E270 / arg / clr / arg / E270 (SS/SS/SS) 3/4" IG (SS-D)											
	0.087	0.266	0.087	0.266	0.087			ARG90	0.037(#2) / 0.037(#5)	CL	SS-D	G,S
	U-Factor 0.24			SHGC (<1) 0.22				VT (<1) 0.37			CR 65	
1025	141.094/142.094/148.094 HS / Opt 12 (INN Refo KS/LS/S, Foam): E366 / air / clr (SS/SS) 3/4" IG											
	0.087	0.563	0.087					AIR	0.022(#2)	CL	SS-D	N,G,S
	U-Factor 0.31			SHGC (N / <1) 0.21 / 0.19				VT (N / <1) 0.50 / 0.44			CR 56	
	141.094/142.094/148.094 HS / Opt 12 (INN Refo KS/LS/S, Foam): clr / air / E366 (SS/SS) 3/4" IG											
	0.087	0.563	0.087					AIR	0.022(#3)	CL	SS-D	N,G,S
	U-Factor 0.31			SHGC (N / <1) 0.30 / 0.27				VT (N / <1) 0.50 / 0.44			CR 56	
1026	141.094/142.094/148.094 HS / Opt 12 (INN Refo KS/LS/S, Foam): E366 / arg / clr (SS/SS) 3/4" IG											
	0.087	0.563	0.087					ARG90	0.022(#2)	CL	SS-D	N,G,S
	U-Factor 0.27			SHGC (N / <1) 0.21 / 0.19				VT (N / <1) 0.50 / 0.44			CR 59	
	141.094/142.094/148.094 HS / Opt 12 (INN Refo KS/LS/S, Foam): clr / arg / E366 (SS/SS) 3/4" IG											
	0.087	0.563	0.087					ARG90	0.022(#3)	CL	SS-D	N,G,S
	U-Factor 0.27			SHGC (N / <1) 0.30 / 0.27				VT (N / <1) 0.50 / 0.44			CR 59	
1027	141.094/142.094/148.094 HS / Opt 12 (INN Refo KS/LS/S, Foam): E366 / air / clr (DS/DS) 3/4" IG											
	0.117	0.500	0.118					AIR	0.022(#2)	CL	SS-D	N,G,S
	U-Factor 0.31			SHGC (N / <1) 0.21 / 0.19				VT (N / <1) 0.49 / 0.44			CR 55	
	141.094/142.094/148.094 HS / Opt 12 (INN Refo KS/LS/S, Foam): clr / air / E366 (DS/DS) 3/4" IG											
	0.118	0.500	0.117					AIR	0.022(#3)	CL	SS-D	N,G,S
	U-Factor 0.31			SHGC (N / <1) 0.29 / 0.27				VT (N / <1) 0.49 / 0.44			CR 55	
1028	141.094/142.094/148.094 HS / Opt 12 (INN Refo KS/LS/S, Foam): E366 / arg / clr (DS/DS) 3/4" IG											
	0.117	0.500	0.118					ARG90	0.022(#2)	CL	SS-D	N,G,S
	U-Factor 0.27			SHGC (N / <1) 0.21 / 0.19				VT (N / <1) 0.49 / 0.44			CR 59	
	141.094/142.094/148.094 HS / Opt 12 (INN Refo KS/LS/S, Foam): clr / arg / E366 (DS/DS) 3/4" IG											
	0.118	0.500	0.117					ARG90	0.022(#3)	CL	SS-D	N,G,S
	U-Factor 0.27			SHGC (N / <1) 0.30 / 0.27				VT (N / <1) 0.49 / 0.44			CR 59	

**NFRC 100/200/500 Summary Sheet
Windgate/Belmont/Hawthorne 2-Lite Slider**

ID	Pane Thickness 1	Gap Width 1	Pane Thickness 2	Gap Width 2	Pane Thickness 3	Gap Width 3	Pane Thickness 4	Gap Fill	Low-e (Surface#)	Tint	Spacer	Grid Type
	U-Factor			Solar Heat Gain Coefficient (SHGC) Grids (None / <1 / >=1)				Visible Transmittance (VT) Grids (None / <1 / >=1)			Condensation Resistance	
1029	141.094/142.094/148.094 HS / Opt 12 (INN Refo KS/LS/S, Foam): lami / arg / E366 (DS 090 DS/DS) 3/4" IG											
	0.264	0.345	0.117					ARG90	0.022(#3)	CL	SS-D	N,S
	U-Factor 0.29			SHGC (N / <1) 0.29 / 0.26				VT (N / <1) 0.48 / 0.43			CR 56	
	141.094/142.094/148.094 HS / Opt 12 (INN Refo KS/LS/S, Foam): E366 / arg / lami (DS/DS 090 DS) 3/4" IG											
	0.117	0.345	0.264					ARG90	0.022(#2)	CL	SS-D	N,S
	U-Factor 0.29			SHGC (N / <1) 0.21 / 0.19				VT (N / <1) 0.48 / 0.43			CR 56	
1030	141.094/142.094/148.094 HS / Opt 12 (INN Refo KS/LS/S, Foam): lami / arg / E366 (DS 090 DS/DS) 3/4" IG											
	0.264	0.345	0.117					ARG90	0.022(#3)	CL	SS-D	G,S
	U-Factor 0.30			SHGC (<1) 0.26				VT (<1) 0.43			CR 56	
	141.094/142.094/148.094 HS / Opt 12 (INN Refo KS/LS/S, Foam): E366 / arg / lami (DS/DS 090 DS) 3/4" IG											
	0.117	0.345	0.264					ARG90	0.022(#2)	CL	SS-D	G,S
	U-Factor 0.30			SHGC (<1) 0.19				VT (<1) 0.43			CR 56	
1031	141.094/142.094/148.094 HS / Opt 12 (INN Refo KS/LS/S, Foam): E366 / arg / clr / arg / E366 (SS/SS/SS) 3/4" IG (SS-D)											
	0.087	0.266	0.087	0.266	0.087			ARG90	0.022(#2) / 0.022(#5)	CL	SS-D	N,S
	U-Factor 0.23			SHGC (N / <1) 0.19 / 0.17				VT (N / <1) 0.36 / 0.32			CR 66	
1032	141.094/142.094/148.094 HS / Opt 12 (INN Refo KS/LS/S, Foam): E366 / arg / clr / arg / E366 (SS/SS/SS) 3/4" IG (SS-D)											
	0.087	0.266	0.087	0.266	0.087			ARG90	0.022(#2) / 0.022(#5)	CL	SS-D	G,S
	U-Factor 0.24			SHGC (<1) 0.17				VT (<1) 0.32			CR 65	
1033	141.094/142.094/148.094 HS / Opt 12 (INN Refo KS/LS/S, Foam): clr / air / clr (SS/SS) 3/4" IG											
	0.087	0.563	0.087					AIR		CL	TS-D	N,G,S
	U-Factor 0.45			SHGC (N / <1) 0.61 / 0.54				VT (N / <1) 0.63 / 0.56			CR 44	
1034	141.094/142.094/148.094 HS / Opt 12 (INN Refo KS/LS/S, Foam): clr / air / clr (DS/DS) 3/4" IG											
	0.118	0.500	0.118					AIR		CL	TS-D	N,G,S
	U-Factor 0.45			SHGC (N / <1) 0.59 / 0.53				VT (N / <1) 0.62 / 0.56			CR 43	
1035	141.094/142.094/148.094 HS / Opt 12 (INN Refo KS/LS/S, Foam): clr / air / clr (5mm/DS) 3/4" IG											
	0.185	0.438	0.118					AIR		CL	TS-D	N,G,S
	U-Factor 0.45			SHGC (N / <1) 0.57 / 0.51				VT (N / <1) 0.62 / 0.55			CR 42	
1036	141.094/142.094/148.094 HS / Opt 12 (INN Refo KS/LS/S, Foam): clr / air / clr (5mm/DS) 3/4" IG											
	0.185	0.438	0.118					AIR		CL	TS-D	G
	U-Factor 0.46			SHGC (<1) 0.51				VT (<1) 0.55			CR 42	

**NFRC 100/200/500 Summary Sheet
Windgate/Belmont/Hawthorne 2-Lite Slider**

ID	Pane Thickness 1	Gap Width 1	Pane Thickness 2	Gap Width 2	Pane Thickness 3	Gap Width 3	Pane Thickness 4	Gap Fill	Low-e (Surface#)	Tint	Spacer	Grid Type
	U-Factor			Solar Heat Gain Coefficient (SHGC) Grids (None / <1 / >=1)				Visible Transmittance (VT) Grids (None / <1 / >=1)			Condensation Resistance	
1037	141.094/142.094/148.094 HS / Opt 12 (INN Refo KS/LS/S, Foam): lami / air / clr (DS 090 DS/DS) 3/4" IG											
	0.264	0.345	0.118					AIR		CL	TS-D	N,S
	U-Factor 0.46			SHGC (N / <1) 0.55 / 0.49				VT (N / <1) 0.61 / 0.55			CR 42	
	141.094/142.094/148.094 HS / Opt 12 (INN Refo KS/LS/S, Foam): clr / air / lami (DS/DS 090 DS) 3/4" IG											
	0.118	0.345	0.264					AIR		CL	TS-D	N,S
	U-Factor 0.46			SHGC (N / <1) 0.57 / 0.51				VT (N / <1) 0.61 / 0.55			CR 42	
1038	141.094/142.094/148.094 HS / Opt 12 (INN Refo KS/LS/S, Foam): lami / air / clr (DS 090 DS/DS) 3/4" IG											
	0.264	0.345	0.118					AIR		CL	TS-D	G,S
	U-Factor 0.47			SHGC (<1) 0.49				VT (<1) 0.55			CR 42	
	141.094/142.094/148.094 HS / Opt 12 (INN Refo KS/LS/S, Foam): clr / air / lami (DS/DS 090 DS) 3/4" IG											
	0.118	0.345	0.264					AIR		CL	TS-D	G,S
	U-Factor 0.47			SHGC (<1) 0.51				VT (<1) 0.55			CR 42	
1039	141.094/142.094/148.094 HS / Opt 12 (INN Refo KS/LS/S, Foam): clr / air / clr / air / clr (SS/SS/SS) 3/4" IG (P1-S)											
	0.087	0.250	0.087	0.250	0.087			AIR		CL	TS-D	N,S
	U-Factor 0.37			SHGC (N / <1) 0.55 / 0.49				VT (N / <1) 0.58 / 0.52			CR 50	
1040	141.094/142.094/148.094 HS / Opt 12 (INN Refo KS/LS/S, Foam): clr / air / clr / air / clr (SS/SS/SS) 3/4" IG (P1-S)											
	0.087	0.250	0.087	0.250	0.087			AIR		CL	TS-D	G,S
	U-Factor 0.38			SHGC (<1) 0.49				VT (<1) 0.52			CR 50	
1041	141.094/142.094/148.094 HS / Opt 12 (INN Refo KS/LS/S, Foam): 70/36 / air / clr (SS/SS) 3/4" IG											
	0.090	0.563	0.090					AIR	0.036(#2)	CL	TS-D	N,G,S
	U-Factor 0.32			SHGC (N / <1) 0.30 / 0.27				VT (N / <1) 0.54 / 0.48			CR 54	
	141.094/142.094/148.094 HS / Opt 12 (INN Refo KS/LS/S, Foam): clr / air / 70/36 (SS/SS) 3/4" IG											
	0.090	0.563	0.090					AIR	0.036(#3)	CL	TS-D	N,G,S
	U-Factor 0.32			SHGC (N / <1) 0.37 / 0.33				VT (N / <1) 0.54 / 0.48			CR 54	
1042	141.094/142.094/148.094 HS / Opt 12 (INN Refo KS/LS/S, Foam): 70/36 / arg / clr (SS/SS) 3/4" IG											
	0.090	0.563	0.090					ARG90	0.036(#2)	CL	TS-D	N,G,S
	U-Factor 0.28			SHGC (N / <1) 0.30 / 0.27				VT (N / <1) 0.54 / 0.48			CR 57	
	141.094/142.094/148.094 HS / Opt 12 (INN Refo KS/LS/S, Foam): clr / arg / 70/36 (SS/SS) 3/4" IG											
	0.090	0.563	0.090					ARG90	0.036(#3)	CL	TS-D	N,G,S
	U-Factor 0.28			SHGC (N / <1) 0.38 / 0.34				VT (N / <1) 0.54 / 0.48			CR 57	

NFRC 100/200/500 Summary Sheet
Windgate/Belmont/Hawthorne 2-Lite Slider

ID	Pane Thickness 1	Gap Width 1	Pane Thickness 2	Gap Width 2	Pane Thickness 3	Gap Width 3	Pane Thickness 4	Gap Fill	Low-e (Surface#)	Tint	Spacer	Grid Type
	U-Factor			Solar Heat Gain Coefficient (SHGC) Grids (None / <1 / >=1)				Visible Transmittance (VT) Grids (None / <1 / >=1)			Condensation Resistance	
1043	141.094/142.094/148.094 HS / Opt 12 (INN Refo KS/LS/S, Foam): 70/36 / air / clr (DS/DS) 3/4" IG											
	0.117	0.500	0.117					AIR	0.036(#2)	CL	TS-D	N,G,S
	U-Factor 0.31			SHGC (N / <1) 0.30 / 0.27				VT (N / <1) 0.53 / 0.47			CR 53	
	141.094/142.094/148.094 HS / Opt 12 (INN Refo KS/LS/S, Foam): clr / air / 70/36 (DS/DS) 3/4" IG											
	0.117	0.500	0.117					AIR	0.036(#3)	CL	TS-D	N,G,S
	U-Factor 0.31			SHGC (N / <1) 0.37 / 0.33				VT (N / <1) 0.53 / 0.47			CR 53	
1044	141.094/142.094/148.094 HS / Opt 12 (INN Refo KS/LS/S, Foam): 70/36 / arg / clr (DS/DS) 3/4" IG											
	0.117	0.500	0.117					ARG90	0.036(#2)	CL	TS-D	N,G,S
	U-Factor 0.28			SHGC (N / <1) 0.29 / 0.27				VT (N / <1) 0.53 / 0.47			CR 56	
	141.094/142.094/148.094 HS / Opt 12 (INN Refo KS/LS/S, Foam): clr / arg / 70/36 (DS/DS) 3/4" IG											
	0.117	0.500	0.117					ARG90	0.036(#3)	CL	TS-D	N,G,S
	U-Factor 0.28			SHGC (N / <1) 0.37 / 0.33				VT (N / <1) 0.53 / 0.47			CR 56	
1045	141.094/142.094/148.094 HS / Opt 12 (INN Refo KS/LS/S, Foam): lami / arg / 70/36 (DS 090 DS/DS) 3/4" IG											
	0.264	0.345	0.117					ARG90	0.036(#3)	CL	TS-D	N,S
	U-Factor 0.30			SHGC (N / <1) 0.35 / 0.32				VT (N / <1) 0.52 / 0.47			CR 55	
	141.094/142.094/148.094 HS / Opt 12 (INN Refo KS/LS/S, Foam): 70/36 / arg / lami (DS/DS 090 DS) 3/4" IG											
	0.117	0.345	0.264					ARG90	0.036(#2)	CL	TS-D	N,S
	U-Factor 0.30			SHGC (N / <1) 0.29 / 0.26				VT (N / <1) 0.52 / 0.47			CR 55	
1046	141.094/142.094/148.094 HS / Opt 12 (INN Refo KS/LS/S, Foam): lami / arg / 70/36 (DS 090 DS/DS) 3/4" IG											
	0.264	0.345	0.117					ARG90	0.036(#3)	CL	TS-D	G,S
	U-Factor 0.31			SHGC (<1) 0.32				VT (<1) 0.47			CR 55	
	141.094/142.094/148.094 HS / Opt 12 (INN Refo KS/LS/S, Foam): 70/36 / arg / lami (DS/DS 090 DS) 3/4" IG											
	0.117	0.345	0.264					ARG90	0.036(#2)	CL	TS-D	G,S
	U-Factor 0.31			SHGC (<1) 0.26				VT (<1) 0.47			CR 55	
1047	141.094/142.094/148.094 HS / Opt 12 (INN Refo KS/LS/S, Foam): 70/36 / arg / clr / arg / 70/36 (SS/SS/SS) 3/4" IG											
	0.090	0.250	0.090	0.250	0.090			ARG90	0.036(#2) / 0.036(#5)	CL	TS-D	N,S
	U-Factor 0.24			SHGC (N / <1) 0.26 / 0.23				VT (N / <1) 0.42 / 0.37			CR 62	
1048	141.094/142.094/148.094 HS / Opt 12 (INN Refo KS/LS/S, Foam): 70/36 / arg / clr / arg / 70/36 (SS/SS/SS) 3/4" IG											
	0.090	0.250	0.090	0.250	0.090			ARG90	0.036(#2) / 0.036(#5)	CL	TS-D	G,S
	U-Factor 0.25			SHGC (<1) 0.23				VT (<1) 0.37			CR 62	

NFRC 100/200/500 Summary Sheet
Windgate/Belmont/Hawthorne 2-Lite Slider

ID	Pane Thickness 1	Gap Width 1	Pane Thickness 2	Gap Width 2	Pane Thickness 3	Gap Width 3	Pane Thickness 4	Gap Fill	Low-e (Surface#)	Tint	Spacer	Grid Type
	U-Factor			Solar Heat Gain Coefficient (SHGC) Grids (None / <1 / >=1)				Visible Transmittance (VT) Grids (None / <1 / >=1)			Condensation Resistance	
1049	141.094/142.094/148.094 HS / Opt 12 (INN Refo KS/LS/S, Foam): 80/70 / air / clr (SS/SS) 3/4" IG											
	0.090	0.563	0.090					AIR	0.095(#2)	CL	TS-D	N,G,S
	U-Factor 0.33			SHGC (N / <1) 0.51 / 0.46				VT (N / <1) 0.62 / 0.55			CR 53	
	141.094/142.094/148.094 HS / Opt 12 (INN Refo KS/LS/S, Foam): clr / air / 80/70 (SS/SS) 3/4" IG											
	0.090	0.563	0.090					AIR	0.095(#3)	CL	TS-D	N,G,S
	U-Factor 0.33			SHGC (N / <1) 0.54 / 0.49				VT (N / <1) 0.62 / 0.55			CR 53	
1050	141.094/142.094/148.094 HS / Opt 12 (INN Refo KS/LS/S, Foam): 80/70 / arg / clr (SS/SS) 3/4" IG											
	0.090	0.563	0.090					ARG90	0.095(#2)	CL	TS-D	N,G,S
	U-Factor 0.30			SHGC (N / <1) 0.51 / 0.46				VT (N / <1) 0.62 / 0.55			CR 56	
	141.094/142.094/148.094 HS / Opt 12 (INN Refo KS/LS/S, Foam): clr / arg / 80/70 (SS/SS) 3/4" IG											
	0.090	0.563	0.090					ARG90	0.095(#3)	CL	TS-D	N,G,S
	U-Factor 0.30			SHGC (N / <1) 0.54 / 0.49				VT (N / <1) 0.62 / 0.55			CR 56	
1051	141.094/142.094/148.094 HS / Opt 12 (INN Refo KS/LS/S, Foam): 80/70 / air / clr (DS/DS) 3/4" IG											
	0.117	0.500	0.117					AIR	0.095(#2)	CL	TS-D	N,G,S
	U-Factor 0.33			SHGC (N / <1) 0.51 / 0.45				VT (N / <1) 0.61 / 0.55			CR 52	
	141.094/142.094/148.094 HS / Opt 12 (INN Refo KS/LS/S, Foam): clr / air / 80/70 (DS/DS) 3/4" IG											
	0.117	0.500	0.117					AIR	0.095(#3)	CL	TS-D	N,G,S
	U-Factor 0.33			SHGC (N / <1) 0.53 / 0.48				VT (N / <1) 0.61 / 0.55			CR 52	
1052	141.094/142.094/148.094 HS / Opt 12 (INN Refo KS/LS/S, Foam): 80/70 / arg / clr (DS/DS) 3/4" IG											
	0.117	0.500	0.117					ARG90	0.095(#2)	CL	TS-D	N,G,S
	U-Factor 0.30			SHGC (N / <1) 0.51 / 0.45				VT (N / <1) 0.61 / 0.55			CR 55	
	141.094/142.094/148.094 HS / Opt 12 (INN Refo KS/LS/S, Foam): clr / arg / 80/70 (DS/DS) 3/4" IG											
	0.117	0.500	0.117					ARG90	0.095(#3)	CL	TS-D	N,G,S
	U-Factor 0.30			SHGC (N / <1) 0.54 / 0.48				VT (N / <1) 0.61 / 0.55			CR 55	
1053	141.094/142.094/148.094 HS / Opt 12 (INN Refo KS/LS/S, Foam): lami / arg / 80/70 (DS 090 DS/DS) 3/4" IG											
	0.264	0.345	0.117					ARG90	0.095(#3)	CL	TS-D	N,S
	U-Factor 0.31			SHGC (N / <1) 0.49 / 0.44				VT (N / <1) 0.60 / 0.54			CR 54	
	141.094/142.094/148.094 HS / Opt 12 (INN Refo KS/LS/S, Foam): 80/70 / arg / lami (DS/DS 090 DS) 3/4" IG											
	0.117	0.345	0.264					ARG90	0.095(#2)	CL	TS-D	N,S
	U-Factor 0.31			SHGC (N / <1) 0.50 / 0.45				VT (N / <1) 0.60 / 0.54			CR 54	

NFRC 100/200/500 Summary Sheet
Windgate/Belmont/Hawthorne 2-Lite Slider

ID	Pane Thickness 1	Gap Width 1	Pane Thickness 2	Gap Width 2	Pane Thickness 3	Gap Width 3	Pane Thickness 4	Gap Fill	Low-e (Surface#)	Tint	Spacer	Grid Type
	U-Factor			Solar Heat Gain Coefficient (SHGC) Grids (None / <1 / >=1)				Visible Transmittance (VT) Grids (None / <1 / >=1)			Condensation Resistance	
1054	141.094/142.094/148.094 HS / Opt 12 (INN Refo KS/LS/S, Foam): lami / arg / 80/70 (DS 090 DS/DS) 3/4" IG											
	0.264	0.345	0.117					ARG90	0.095(#3)	CL	TS-D	G,S
	U-Factor 0.33			SHGC (<1) 0.44				VT (<1) 0.54			CR 54	
	141.094/142.094/148.094 HS / Opt 12 (INN Refo KS/LS/S, Foam): 80/70 / arg / lami (DS/DS 090 DS) 3/4" IG											
	0.117	0.345	0.264					ARG90	0.095(#2)	CL	TS-D	G,S
	U-Factor 0.33			SHGC (<1) 0.45				VT (<1) 0.54			CR 54	
1055	141.094/142.094/148.094 HS / Opt 12 (INN Refo KS/LS/S, Foam): 80/70 / arg / clr / arg / 80/70 (SS/SS/SS) 3/4" IG											
	0.090	0.250	0.090	0.250	0.090			ARG90	0.095(#2) / 0.095(#5)	CL	TS-D	N,S
	U-Factor 0.25			SHGC (N / <1) 0.45 / 0.41				VT (N / <1) 0.56 / 0.50			CR 61	
1056	141.094/142.094/148.094 HS / Opt 12 (INN Refo KS/LS/S, Foam): 80/70 / arg / clr / arg / 80/70 (SS/SS/SS) 3/4" IG											
	0.090	0.250	0.090	0.250	0.090			ARG90	0.095(#2) / 0.095(#5)	CL	TS-D	G,S
	U-Factor 0.26			SHGC (<1) 0.41				VT (<1) 0.50			CR 61	
1057	141.294 / Opt 1 (INN Refo KS/LS, No Foam): clr / air / clr (SS/SS) 3/4" IG											
	0.087	0.563	0.087					AIR		CL	P1-S	N,G,S
	U-Factor 0.45			SHGC (N / <1) 0.61 / 0.54				VT (N / <1) 0.63 / 0.56			CR 46	
1058	141.294 / Opt 1 (INN Refo KS/LS, No Foam): clr / air / clr (DS/DS) 3/4" IG											
	0.118	0.500	0.118					AIR		CL	P1-S	N,G,S
	U-Factor 0.45			SHGC (N / <1) 0.59 / 0.53				VT (N / <1) 0.62 / 0.56			CR 45	
1059	141.294 / Opt 1 (INN Refo KS/LS, No Foam): clr / air / clr (5mm/DS) 3/4" IG											
	0.185	0.438	0.118					AIR		CL	P1-S	N,G,S
	U-Factor 0.45			SHGC (N / <1) 0.57 / 0.51				VT (N / <1) 0.62 / 0.55			CR 45	
1060	141.294 / Opt 1 (INN Refo KS/LS, No Foam): clr / air / clr (5mm/DS) 3/4" IG											
	0.185	0.438	0.118					AIR		CL	P1-S	G
	U-Factor 0.46			SHGC (<1) 0.51				VT (<1) 0.55			CR 45	
1061	141.294 / Opt 1 (INN Refo KS/LS, No Foam): lami / air / clr (DS 090 DS/DS) 3/4" IG											
	0.264	0.345	0.118					AIR		CL	P1-S	N,S
	U-Factor 0.47			SHGC (N / <1) 0.55 / 0.49				VT (N / <1) 0.61 / 0.55			CR 44	
	141.294 / Opt 1 (INN Refo KS/LS, No Foam): clr / air / lami (DS/DS 090 DS) 3/4" IG											
	0.118	0.345	0.264					AIR		CL	P1-S	N,S
	U-Factor 0.47			SHGC (N / <1) 0.57 / 0.51				VT (N / <1) 0.61 / 0.55			CR 44	

**NFRC 100/200/500 Summary Sheet
Windgate/Belmont/Hawthorne 2-Lite Slider**

ID	Pane Thickness 1	Gap Width 1	Pane Thickness 2	Gap Width 2	Pane Thickness 3	Gap Width 3	Pane Thickness 4	Gap Width 4	Gap Fill	Low-e (Surface#)	Tint	Spacer	Grid Type
	U-Factor			Solar Heat Gain Coefficient (SHGC) Grids (None / <1 / >=1)					Visible Transmittance (VT) Grids (None / <1 / >=1)			Condensation Resistance	
1062	141.294 / Opt 1 (INN Refo KS/LS, No Foam): lami / air / clr (DS 090 DS/DS) 3/4" IG												
	0.264	0.345	0.118						AIR		CL	P1-S	G,S
	U-Factor 0.47			SHGC (<1) 0.49					VT (<1) 0.55			CR 44	
	141.294 / Opt 1 (INN Refo KS/LS, No Foam): clr / air / lami (DS/DS 090 DS) 3/4" IG												
	0.118	0.345	0.264						AIR		CL	P1-S	G,S
	U-Factor 0.47			SHGC (<1) 0.51					VT (<1) 0.55			CR 44	
1063	141.294 / Opt 1 (INN Refo KS/LS, No Foam): clr / air / clr / air / clr (SS/SS/SS) 3/4" IG (P1-S)												
	0.087	0.250	0.087	0.250	0.087				AIR		CL	P1-S	N,S
	U-Factor 0.37			SHGC (N / <1) 0.55 / 0.49					VT (N / <1) 0.58 / 0.52			CR 53	
1064	141.294 / Opt 1 (INN Refo KS/LS, No Foam): clr / air / clr / air / clr (SS/SS/SS) 3/4" IG (P1-S)												
	0.087	0.250	0.087	0.250	0.087				AIR		CL	P1-S	G,S
	U-Factor 0.38			SHGC (<1) 0.49					VT (<1) 0.52			CR 53	
1065	141.294 / Opt 1 (INN Refo KS/LS, No Foam): E270 / air / clr (SS/SS) 3/4" IG												
	0.087	0.563	0.087						AIR	0.037(#2)	CL	P1-S	N,G,S
	U-Factor 0.31			SHGC (N / <1) 0.29 / 0.26					VT (N / <1) 0.54 / 0.48			CR 59	
	141.294 / Opt 1 (INN Refo KS/LS, No Foam): clr / air / E270 (SS/SS) 3/4" IG												
	0.087	0.563	0.087						AIR	0.037(#3)	CL	P1-S	N,G,S
	U-Factor 0.31			SHGC (N / <1) 0.35 / 0.32					VT (N / <1) 0.54 / 0.48			CR 59	
1066	141.294 / Opt 1 (INN Refo KS/LS, No Foam): E270 / arg / clr (SS/SS) 3/4" IG												
	0.087	0.563	0.087						ARG90	0.037(#2)	CL	P1-S	N,G,S
	U-Factor 0.28			SHGC (N / <1) 0.28 / 0.26					VT (N / <1) 0.54 / 0.48			CR 62	
	141.294 / Opt 1 (INN Refo KS/LS, No Foam): clr / arg / E270 (SS/SS) 3/4" IG												
	0.087	0.563	0.087						ARG90	0.037(#3)	CL	P1-S	N,G,S
	U-Factor 0.28			SHGC (N / <1) 0.36 / 0.32					VT (N / <1) 0.54 / 0.48			CR 62	
1067	141.294 / Opt 1 (INN Refo KS/LS, No Foam): E270 / air / clr (DS/DS) 3/4" IG												
	0.118	0.500	0.118						AIR	0.037(#2)	CL	P1-S	N,G,S
	U-Factor 0.31			SHGC (N / <1) 0.29 / 0.26					VT (N / <1) 0.53 / 0.47			CR 58	
	141.294 / Opt 1 (INN Refo KS/LS, No Foam): clr / air / E270 (DS/DS) 3/4" IG												
	0.118	0.500	0.118						AIR	0.037(#3)	CL	P1-S	N,G,S
	U-Factor 0.31			SHGC (N / <1) 0.35 / 0.31					VT (N / <1) 0.53 / 0.47			CR 58	

**NFRC 100/200/500 Summary Sheet
Windgate/Belmont/Hawthorne 2-Lite Slider**

ID	Pane Thickness 1	Gap Width 1	Pane Thickness 2	Gap Width 2	Pane Thickness 3	Gap Width 3	Pane Thickness 4	Gap Fill	Low-e (Surface#)	Tint	Spacer	Grid Type
	U-Factor			Solar Heat Gain Coefficient (SHGC) Grids (None / <1 / >=1)				Visible Transmittance (VT) Grids (None / <1 / >=1)			Condensation Resistance	
1068	141.294 / Opt 1 (INN Refo KS/LS, No Foam): E270 / arg / clr (DS/DS) 3/4" IG											
	0.118	0.500	0.118					ARG90	0.037(#2)	CL	P1-S	N,G,S
	U-Factor 0.27			SHGC (N / <1) 0.28 / 0.25				VT (N / <1) 0.53 / 0.47			CR	62
	141.294 / Opt 1 (INN Refo KS/LS, No Foam): clr / arg / E270 (DS/DS) 3/4" IG											
	0.118	0.500	0.118					ARG90	0.037(#3)	CL	P1-S	N,G,S
	U-Factor 0.27			SHGC (N / <1) 0.35 / 0.32				VT (N / <1) 0.53 / 0.47			CR	62
1069	141.294 / Opt 1 (INN Refo KS/LS, No Foam): lami / arg / E270 (DS 090 DS/DS) 3/4" IG											
	0.264	0.345	0.118					ARG90	0.037(#3)	CL	P1-S	N,S
	U-Factor 0.29			SHGC (N / <1) 0.33 / 0.30				VT (N / <1) 0.52 / 0.47			CR	59
	141.294 / Opt 1 (INN Refo KS/LS, No Foam): E270 / arg / lami (DS/DS 090 DS) 3/4" IG											
	0.118	0.345	0.264					ARG90	0.037(#2)	CL	P1-S	N,S
	U-Factor 0.29			SHGC (N / <1) 0.28 / 0.25				VT (N / <1) 0.52 / 0.47			CR	59
1070	141.294 / Opt 1 (INN Refo KS/LS, No Foam): lami / arg / E270 (DS 090 DS/DS) 3/4" IG											
	0.264	0.345	0.118					ARG90	0.037(#3)	CL	P1-S	G,S
	U-Factor 0.31			SHGC (<1) 0.30				VT (<1) 0.47			CR	59
	141.294 / Opt 1 (INN Refo KS/LS, No Foam): E270 / arg / lami (DS/DS 090 DS) 3/4" IG											
	0.118	0.345	0.264					ARG90	0.037(#2)	CL	P1-S	G,S
	U-Factor 0.31			SHGC (<1) 0.25				VT (<1) 0.47			CR	59
1071	141.294 / Opt 1 (INN Refo KS/LS, No Foam): E270 / arg / clr / arg / E270 (SS/SS/SS) 3/4" IG (P1-S)											
	0.087	0.250	0.087	0.250	0.087			ARG90	0.037(#2) / 0.037(#5)	CL	P1-S	N,S
	U-Factor 0.24			SHGC (N / <1) 0.24 / 0.22				VT (N / <1) 0.42 / 0.37			CR	68
1072	141.294 / Opt 1 (INN Refo KS/LS, No Foam): E270 / arg / clr / arg / E270 (SS/SS/SS) 3/4" IG (P1-S)											
	0.087	0.250	0.087	0.250	0.087			ARG90	0.037(#2) / 0.037(#5)	CL	P1-S	G,S
	U-Factor 0.25			SHGC (<1) 0.22				VT (<1) 0.37			CR	68
1073	141.294 / Opt 1 (INN Refo KS/LS, No Foam): E366 / air / clr (SS/SS) 3/4" IG											
	0.087	0.563	0.087					AIR	0.022(#2)	CL	P1-S	N,G,S
	U-Factor 0.31			SHGC (N / <1) 0.21 / 0.19				VT (N / <1) 0.50 / 0.44			CR	59
	141.294 / Opt 1 (INN Refo KS/LS, No Foam): clr / air / E366 (SS/SS) 3/4" IG											
	0.087	0.563	0.087					AIR	0.022(#3)	CL	P1-S	N,G,S
	U-Factor 0.31			SHGC (N / <1) 0.30 / 0.27				VT (N / <1) 0.50 / 0.44			CR	59

**NFRC 100/200/500 Summary Sheet
Windgate/Belmont/Hawthorne 2-Lite Slider**

ID	Pane Thickness 1	Gap Width 1	Pane Thickness 2	Gap Width 2	Pane Thickness 3	Gap Width 3	Pane Thickness 4	Gap Fill	Low-e (Surface#)	Tint	Spacer	Grid Type
	U-Factor			Solar Heat Gain Coefficient (SHGC) Grids (None / <1 / >=1)				Visible Transmittance (VT) Grids (None / <1 / >=1)			Condensation Resistance	
1074	141.294 / Opt 1 (INN Refo KS/LS, No Foam): E366 / arg / clr (SS/SS) 3/4" IG											
	0.087	0.563	0.087					ARG90	0.022(#2)	CL	P1-S	N,G,S
	U-Factor 0.27			SHGC (N / <1) 0.21 / 0.19				VT (N / <1) 0.50 / 0.44			CR	63
	141.294 / Opt 1 (INN Refo KS/LS, No Foam): clr / arg / E366 (SS/SS) 3/4" IG											
	0.087	0.563	0.087					ARG90	0.022(#3)	CL	P1-S	N,G,S
	U-Factor 0.27			SHGC (N / <1) 0.30 / 0.27				VT (N / <1) 0.50 / 0.44			CR	63
1075	141.294 / Opt 1 (INN Refo KS/LS, No Foam): E366 / air / clr (DS/DS) 3/4" IG											
	0.117	0.500	0.118					AIR	0.022(#2)	CL	P1-S	N,G,S
	U-Factor 0.31			SHGC (N / <1) 0.21 / 0.19				VT (N / <1) 0.49 / 0.44			CR	58
	141.294 / Opt 1 (INN Refo KS/LS, No Foam): clr / air / E366 (DS/DS) 3/4" IG											
	0.118	0.500	0.117					AIR	0.022(#3)	CL	P1-S	N,G,S
	U-Factor 0.31			SHGC (N / <1) 0.29 / 0.27				VT (N / <1) 0.49 / 0.44			CR	58
1076	141.294 / Opt 1 (INN Refo KS/LS, No Foam): E366 / arg / clr (DS/DS) 3/4" IG											
	0.117	0.500	0.118					ARG90	0.022(#2)	CL	P1-S	N,G,S
	U-Factor 0.27			SHGC (N / <1) 0.21 / 0.19				VT (N / <1) 0.49 / 0.44			CR	62
	141.294 / Opt 1 (INN Refo KS/LS, No Foam): clr / arg / E366 (DS/DS) 3/4" IG											
	0.118	0.500	0.117					ARG90	0.022(#3)	CL	P1-S	N,G,S
	U-Factor 0.27			SHGC (N / <1) 0.30 / 0.27				VT (N / <1) 0.49 / 0.44			CR	62
1077	141.294 / Opt 1 (INN Refo KS/LS, No Foam): lami / arg / E366 (DS 090 DS/DS) 3/4" IG											
	0.264	0.345	0.117					ARG90	0.022(#3)	CL	P1-S	N,S
	U-Factor 0.29			SHGC (N / <1) 0.29 / 0.26				VT (N / <1) 0.48 / 0.43			CR	60
	141.294 / Opt 1 (INN Refo KS/LS, No Foam): E366 / arg / lami (DS/DS 090 DS) 3/4" IG											
	0.117	0.345	0.264					ARG90	0.022(#2)	CL	P1-S	N,S
	U-Factor 0.29			SHGC (N / <1) 0.21 / 0.19				VT (N / <1) 0.48 / 0.43			CR	60
1078	141.294 / Opt 1 (INN Refo KS/LS, No Foam): lami / arg / E366 (DS 090 DS/DS) 3/4" IG											
	0.264	0.345	0.117					ARG90	0.022(#3)	CL	P1-S	G,S
	U-Factor 0.30			SHGC (<1) 0.26				VT (<1) 0.43			CR	60
	141.294 / Opt 1 (INN Refo KS/LS, No Foam): E366 / arg / lami (DS/DS 090 DS) 3/4" IG											
	0.117	0.345	0.264					ARG90	0.022(#2)	CL	P1-S	G,S
	U-Factor 0.30			SHGC (<1) 0.19				VT (<1) 0.43			CR	60

**NFRC 100/200/500 Summary Sheet
Windgate/Belmont/Hawthorne 2-Lite Slider**

ID	Pane Thickness 1	Gap Width 1	Pane Thickness 2	Gap Width 2	Pane Thickness 3	Gap Width 3	Pane Thickness 4	Gap Fill	Low-e (Surface#)	Tint	Spacer	Grid Type
	U-Factor			Solar Heat Gain Coefficient (SHGC) Grids (None / <1 / >=1)				Visible Transmittance (VT) Grids (None / <1 / >=1)			Condensation Resistance	
1079	141.294 / Opt 1 (INN Refo KS/LS, No Foam): E366 / arg / clr / arg / E366 (SS/SS/SS) 3/4" IG (P1-S)											
	0.087	0.250	0.087	0.250	0.087			ARG90	0.022(#2) / 0.022(#5)	CL	P1-S	N,S
	U-Factor 0.24			SHGC (N / <1) 0.19 / 0.17				VT (N / <1) 0.36 / 0.32			CR 68	
1080	141.294 / Opt 1 (INN Refo KS/LS, No Foam): E366 / arg / clr / arg / E366 (SS/SS/SS) 3/4" IG (P1-S)											
	0.087	0.250	0.087	0.250	0.087			ARG90	0.022(#2) / 0.022(#5)	CL	P1-S	G,S
	U-Factor 0.24			SHGC (<1) 0.17				VT (<1) 0.32			CR 68	
1081	141.294 / Opt 1 (INN Refo KS/LS, No Foam): 70/36 / air / clr (SS/SS) 3/4" IG											
	0.090	0.563	0.090					AIR	0.036(#2)	CL	P1-S	N,G,S
	U-Factor 0.31			SHGC (N / <1) 0.30 / 0.27				VT (N / <1) 0.54 / 0.48			CR 59	
	141.294 / Opt 1 (INN Refo KS/LS, No Foam): clr / air / 70/36 (SS/SS) 3/4" IG											
	0.090	0.563	0.090					AIR	0.036(#3)	CL	P1-S	N,G,S
	U-Factor 0.31			SHGC (N / <1) 0.37 / 0.33				VT (N / <1) 0.54 / 0.48			CR 59	
1082	141.294 / Opt 1 (INN Refo KS/LS, No Foam): 70/36 / arg / clr (SS/SS) 3/4" IG											
	0.090	0.563	0.090					ARG90	0.036(#2)	CL	P1-S	N,G,S
	U-Factor 0.28			SHGC (N / <1) 0.30 / 0.27				VT (N / <1) 0.54 / 0.48			CR 62	
	141.294 / Opt 1 (INN Refo KS/LS, No Foam): clr / arg / 70/36 (SS/SS) 3/4" IG											
	0.090	0.563	0.090					ARG90	0.036(#3)	CL	P1-S	N,G,S
	U-Factor 0.28			SHGC (N / <1) 0.38 / 0.34				VT (N / <1) 0.54 / 0.48			CR 62	
1083	141.294 / Opt 1 (INN Refo KS/LS, No Foam): 70/36 / air / clr (DS/DS) 3/4" IG											
	0.117	0.500	0.117					AIR	0.036(#2)	CL	P1-S	N,G,S
	U-Factor 0.31			SHGC (N / <1) 0.30 / 0.27				VT (N / <1) 0.53 / 0.47			CR 58	
	141.294 / Opt 1 (INN Refo KS/LS, No Foam): clr / air / 70/36 (DS/DS) 3/4" IG											
	0.117	0.500	0.117					AIR	0.036(#3)	CL	P1-S	N,G,S
	U-Factor 0.31			SHGC (N / <1) 0.37 / 0.33				VT (N / <1) 0.53 / 0.47			CR 58	
1084	141.294 / Opt 1 (INN Refo KS/LS, No Foam): 70/36 / arg / clr (DS/DS) 3/4" IG											
	0.117	0.500	0.117					ARG90	0.036(#2)	CL	P1-S	N,G,S
	U-Factor 0.27			SHGC (N / <1) 0.29 / 0.27				VT (N / <1) 0.53 / 0.47			CR 62	
	141.294 / Opt 1 (INN Refo KS/LS, No Foam): clr / arg / 70/36 (DS/DS) 3/4" IG											
	0.117	0.500	0.117					ARG90	0.036(#3)	CL	P1-S	N,G,S
	U-Factor 0.27			SHGC (N / <1) 0.37 / 0.33				VT (N / <1) 0.53 / 0.47			CR 62	

NFRC 100/200/500 Summary Sheet
Windgate/Belmont/Hawthorne 2-Lite Slider

ID	Pane Thickness 1	Gap Width 1	Pane Thickness 2	Gap Width 2	Pane Thickness 3	Gap Width 3	Pane Thickness 4	Gap Fill	Low-e (Surface#)	Tint	Spacer	Grid Type
	U-Factor			Solar Heat Gain Coefficient (SHGC) Grids (None / <1 / >=1)				Visible Transmittance (VT) Grids (None / <1 / >=1)			Condensation Resistance	
1085	141.294 / Opt 1 (INN Refo KS/LS, No Foam): lami / arg / 70/36 (DS 090 DS/DS) 3/4" IG											
	0.264	0.345	0.117					ARG90	0.036(#3)	CL	P1-S	N,S
	U-Factor 0.29			SHGC (N / <1) 0.35 / 0.32				VT (N / <1) 0.52 / 0.47			CR 59	
	141.294 / Opt 1 (INN Refo KS/LS, No Foam): 70/36 / arg / lami (DS/DS 090 DS) 3/4" IG											
	0.117	0.345	0.264					ARG90	0.036(#2)	CL	P1-S	N,S
	U-Factor 0.29			SHGC (N / <1) 0.29 / 0.26				VT (N / <1) 0.52 / 0.47			CR 59	
1086	141.294 / Opt 1 (INN Refo KS/LS, No Foam): lami / arg / 70/36 (DS 090 DS/DS) 3/4" IG											
	0.264	0.345	0.117					ARG90	0.036(#3)	CL	P1-S	G,S
	U-Factor 0.31			SHGC (<1) 0.32				VT (<1) 0.47			CR 59	
	141.294 / Opt 1 (INN Refo KS/LS, No Foam): 70/36 / arg / lami (DS/DS 090 DS) 3/4" IG											
	0.117	0.345	0.264					ARG90	0.036(#2)	CL	P1-S	G,S
	U-Factor 0.31			SHGC (<1) 0.26				VT (<1) 0.47			CR 59	
1087	141.294 / Opt 1 (INN Refo KS/LS, No Foam): 70/36 / arg / clr / arg / 70/36 (SS/SS/SS) 3/4" IG											
	0.090	0.250	0.090	0.250	0.090			ARG90	0.036(#2) / 0.036(#5)	CL	P1-S	N,S
	U-Factor 0.24			SHGC (N / <1) 0.26 / 0.23				VT (N / <1) 0.42 / 0.37			CR 68	
1088	141.294 / Opt 1 (INN Refo KS/LS, No Foam): 70/36 / arg / clr / arg / 70/36 (SS/SS/SS) 3/4" IG											
	0.090	0.250	0.090	0.250	0.090			ARG90	0.036(#2) / 0.036(#5)	CL	P1-S	G,S
	U-Factor 0.25			SHGC (<1) 0.23				VT (<1) 0.37			CR 68	
1089	141.294 / Opt 1 (INN Refo KS/LS, No Foam): 80/70 / air / clr (SS/SS) 3/4" IG											
	0.090	0.563	0.090					AIR	0.095(#2)	CL	P1-S	N,G,S
	U-Factor 0.33			SHGC (N / <1) 0.51 / 0.46				VT (N / <1) 0.62 / 0.55			CR 57	
	141.294 / Opt 1 (INN Refo KS/LS, No Foam): clr / air / 80/70 (SS/SS) 3/4" IG											
	0.090	0.563	0.090					AIR	0.095(#3)	CL	P1-S	N,G,S
	U-Factor 0.33			SHGC (N / <1) 0.54 / 0.49				VT (N / <1) 0.62 / 0.55			CR 57	
1090	141.294 / Opt 1 (INN Refo KS/LS, No Foam): 80/70 / arg / clr (SS/SS) 3/4" IG											
	0.090	0.563	0.090					ARG90	0.095(#2)	CL	P1-S	N,G,S
	U-Factor 0.29			SHGC (N / <1) 0.51 / 0.46				VT (N / <1) 0.62 / 0.55			CR 61	
	141.294 / Opt 1 (INN Refo KS/LS, No Foam): clr / arg / 80/70 (SS/SS) 3/4" IG											
	0.090	0.563	0.090					ARG90	0.095(#3)	CL	P1-S	N,G,S
	U-Factor 0.29			SHGC (N / <1) 0.54 / 0.49				VT (N / <1) 0.62 / 0.55			CR 61	

NFRC 100/200/500 Summary Sheet
Windgate/Belmont/Hawthorne 2-Lite Slider

ID	Pane Thickness 1	Gap Width 1	Pane Thickness 2	Gap Width 2	Pane Thickness 3	Gap Width 3	Pane Thickness 4	Gap Fill	Low-e (Surface#)	Tint	Spacer	Grid Type
	U-Factor			Solar Heat Gain Coefficient (SHGC) Grids (None / <1 / >=1)				Visible Transmittance (VT) Grids (None / <1 / >=1)			Condensation Resistance	
1091	141.294 / Opt 1 (INN Refo KS/LS, No Foam): 80/70 / air / clr (DS/DS) 3/4" IG											
	0.117	0.500	0.117					AIR	0.095(#2)	CL	P1-S	N,G,S
	U-Factor 0.32			SHGC (N / <1) 0.51 / 0.45				VT (N / <1) 0.61 / 0.55			CR 56	
	141.294 / Opt 1 (INN Refo KS/LS, No Foam): clr / air / 80/70 (DS/DS) 3/4" IG											
	0.117	0.500	0.117					AIR	0.095(#3)	CL	P1-S	N,G,S
	U-Factor 0.32			SHGC (N / <1) 0.53 / 0.48				VT (N / <1) 0.61 / 0.55			CR 56	
1092	141.294 / Opt 1 (INN Refo KS/LS, No Foam): 80/70 / arg / clr (DS/DS) 3/4" IG											
	0.117	0.500	0.117					ARG90	0.095(#2)	CL	P1-S	N,G,S
	U-Factor 0.29			SHGC (N / <1) 0.51 / 0.45				VT (N / <1) 0.61 / 0.55			CR 60	
	141.294 / Opt 1 (INN Refo KS/LS, No Foam): clr / arg / 80/70 (DS/DS) 3/4" IG											
	0.117	0.500	0.117					ARG90	0.095(#3)	CL	P1-S	N,G,S
	U-Factor 0.29			SHGC (N / <1) 0.54 / 0.48				VT (N / <1) 0.61 / 0.55			CR 60	
1093	141.294 / Opt 1 (INN Refo KS/LS, No Foam): lami / arg / 80/70 (DS 090 DS/DS) 3/4" IG											
	0.264	0.345	0.117					ARG90	0.095(#3)	CL	P1-S	N,S
	U-Factor 0.31			SHGC (N / <1) 0.49 / 0.44				VT (N / <1) 0.60 / 0.54			CR 58	
	141.294 / Opt 1 (INN Refo KS/LS, No Foam): 80/70 / arg / lami (DS/DS 090 DS) 3/4" IG											
	0.117	0.345	0.264					ARG90	0.095(#2)	CL	P1-S	N,S
	U-Factor 0.31			SHGC (N / <1) 0.50 / 0.45				VT (N / <1) 0.60 / 0.54			CR 58	
1094	141.294 / Opt 1 (INN Refo KS/LS, No Foam): lami / arg / 80/70 (DS 090 DS/DS) 3/4" IG											
	0.264	0.345	0.117					ARG90	0.095(#3)	CL	P1-S	G,S
	U-Factor 0.32			SHGC (<1) 0.44				VT (<1) 0.54			CR 58	
	141.294 / Opt 1 (INN Refo KS/LS, No Foam): 80/70 / arg / lami (DS/DS 090 DS) 3/4" IG											
	0.117	0.345	0.264					ARG90	0.095(#2)	CL	P1-S	G,S
	U-Factor 0.32			SHGC (<1) 0.45				VT (<1) 0.54			CR 58	
1095	141.294 / Opt 1 (INN Refo KS/LS, No Foam): 80/70 / arg / clr / arg / 80/70 (SS/SS/SS) 3/4" IG											
	0.090	0.250	0.090	0.250	0.090			ARG90	0.095(#2) / 0.095(#5)	CL	P1-S	N,S
	U-Factor 0.25			SHGC (N / <1) 0.45 / 0.41				VT (N / <1) 0.56 / 0.50			CR 66	
1096	141.294 / Opt 1 (INN Refo KS/LS, No Foam): 80/70 / arg / clr / arg / 80/70 (SS/SS/SS) 3/4" IG											
	0.090	0.250	0.090	0.250	0.090			ARG90	0.095(#2) / 0.095(#5)	CL	P1-S	G,S
	U-Factor 0.26			SHGC (<1) 0.41				VT (<1) 0.50			CR 66	

NFRC 100/200/500 Summary Sheet
Windgate/Belmont/Hawthorne 2-Lite Slider

ID	Pane Thickness 1	Gap Width 1	Pane Thickness 2	Gap Width 2	Pane Thickness 3	Gap Width 3	Pane Thickness 4	Gap Fill	Low-e (Surface#)	Tint	Spacer	Grid Type
	U-Factor			Solar Heat Gain Coefficient (SHGC) Grids (None / <1 / >=1)				Visible Transmittance (VT) Grids (None / <1 / >=1)			Condensation Resistance	
1097	141.294 / Opt 1 (INN Refo KS/LS, No Foam): clr / air / clr (SS/SS) 3/4" IG											
	0.087	0.563	0.087					AIR		CL	SS-D	N,G,S
	U-Factor 0.46			SHGC (N / <1) 0.61 / 0.54				VT (N / <1) 0.63 / 0.56			CR	44
1098	141.294 / Opt 1 (INN Refo KS/LS, No Foam): clr / air / clr (DS/DS) 3/4" IG											
	0.118	0.500	0.118					AIR		CL	SS-D	N,G,S
	U-Factor 0.45			SHGC (N / <1) 0.59 / 0.53				VT (N / <1) 0.62 / 0.56			CR	44
1099	141.294 / Opt 1 (INN Refo KS/LS, No Foam): clr / air / clr (5mm/DS) 3/4" IG											
	0.185	0.438	0.118					AIR		CL	SS-D	N,G,S
	U-Factor 0.46			SHGC (N / <1) 0.57 / 0.51				VT (N / <1) 0.62 / 0.55			CR	43
1100	141.294 / Opt 1 (INN Refo KS/LS, No Foam): clr / air / clr (5mm/DS) 3/4" IG											
	0.185	0.438	0.118					AIR		CL	SS-D	G
	U-Factor 0.46			SHGC (<1) 0.51				VT (<1) 0.55			CR	43
1101	141.294 / Opt 1 (INN Refo KS/LS, No Foam): lami / air / clr (DS 090 DS/DS) 3/4" IG											
	0.264	0.345	0.118					AIR		CL	SS-D	N,S
	U-Factor 0.47			SHGC (N / <1) 0.55 / 0.49				VT (N / <1) 0.61 / 0.55			CR	42
	141.294 / Opt 1 (INN Refo KS/LS, No Foam): clr / air / lami (DS/DS 090 DS) 3/4" IG											
	0.118	0.345	0.264					AIR		CL	SS-D	N,S
	U-Factor 0.47			SHGC (N / <1) 0.57 / 0.51				VT (N / <1) 0.61 / 0.55			CR	42
1102	141.294 / Opt 1 (INN Refo KS/LS, No Foam): lami / air / clr (DS 090 DS/DS) 3/4" IG											
	0.264	0.345	0.118					AIR		CL	SS-D	G,S
	U-Factor 0.48			SHGC (<1) 0.49				VT (<1) 0.55			CR	42
	141.294 / Opt 1 (INN Refo KS/LS, No Foam): clr / air / lami (DS/DS 090 DS) 3/4" IG											
	0.118	0.345	0.264					AIR		CL	SS-D	G,S
	U-Factor 0.48			SHGC (<1) 0.51				VT (<1) 0.55			CR	42
1103	141.294 / Opt 1 (INN Refo KS/LS, No Foam): clr / air / clr / air / clr (SS/SS/SS) 3/4" IG (P1-S)											
	0.087	0.250	0.087	0.250	0.087			AIR		CL	SS-D	N,S
	U-Factor 0.38			SHGC (N / <1) 0.55 / 0.49				VT (N / <1) 0.58 / 0.52			CR	52
1104	141.294 / Opt 1 (INN Refo KS/LS, No Foam): clr / air / clr / air / clr (SS/SS/SS) 3/4" IG (P1-S)											
	0.087	0.250	0.087	0.250	0.087			AIR		CL	SS-D	G,S
	U-Factor 0.39			SHGC (<1) 0.49				VT (<1) 0.52			CR	52

NFRC 100/200/500 Summary Sheet
Windgate/Belmont/Hawthorne 2-Lite Slider

ID	Pane Thickness 1	Gap Width 1	Pane Thickness 2	Gap Width 2	Pane Thickness 3	Gap Width 3	Pane Thickness 4	Gap Fill	Low-e (Surface#)	Tint	Spacer	Grid Type
	U-Factor			Solar Heat Gain Coefficient (SHGC) Grids (None / <1 / >=1)				Visible Transmittance (VT) Grids (None / <1 / >=1)			Condensation Resistance	
1105	141.294 / Opt 1 (INN Refo KS/LS, No Foam): E270 / air / clr (SS/SS) 3/4" IG											
	0.087	0.563	0.087					AIR	0.037(#2)	CL	SS-D	N,G,S
	U-Factor 0.32			SHGC (N / <1) 0.29 / 0.26				VT (N / <1) 0.54 / 0.48			CR	56
	141.294 / Opt 1 (INN Refo KS/LS, No Foam): clr / air / E270 (SS/SS) 3/4" IG											
	0.087	0.563	0.087					AIR	0.037(#3)	CL	SS-D	N,G,S
	U-Factor 0.32			SHGC (N / <1) 0.35 / 0.32				VT (N / <1) 0.54 / 0.48			CR	56
1106	141.294 / Opt 1 (INN Refo KS/LS, No Foam): E270 / arg / clr (SS/SS) 3/4" IG											
	0.087	0.563	0.087					ARG90	0.037(#2)	CL	SS-D	N,G,S
	U-Factor 0.29			SHGC (N / <1) 0.28 / 0.26				VT (N / <1) 0.54 / 0.48			CR	59
	141.294 / Opt 1 (INN Refo KS/LS, No Foam): clr / arg / E270 (SS/SS) 3/4" IG											
	0.087	0.563	0.087					ARG90	0.037(#3)	CL	SS-D	N,G,S
	U-Factor 0.29			SHGC (N / <1) 0.36 / 0.32				VT (N / <1) 0.54 / 0.48			CR	59
1107	141.294 / Opt 1 (INN Refo KS/LS, No Foam): E270 / air / clr (DS/DS) 3/4" IG											
	0.118	0.500	0.118					AIR	0.037(#2)	CL	SS-D	N,G,S
	U-Factor 0.32			SHGC (N / <1) 0.29 / 0.26				VT (N / <1) 0.53 / 0.47			CR	55
	141.294 / Opt 1 (INN Refo KS/LS, No Foam): clr / air / E270 (DS/DS) 3/4" IG											
	0.118	0.500	0.118					AIR	0.037(#3)	CL	SS-D	N,G,S
	U-Factor 0.32			SHGC (N / <1) 0.35 / 0.31				VT (N / <1) 0.53 / 0.47			CR	55
1108	141.294 / Opt 1 (INN Refo KS/LS, No Foam): E270 / arg / clr (DS/DS) 3/4" IG											
	0.118	0.500	0.118					ARG90	0.037(#2)	CL	SS-D	N,G,S
	U-Factor 0.28			SHGC (N / <1) 0.28 / 0.25				VT (N / <1) 0.53 / 0.47			CR	58
	141.294 / Opt 1 (INN Refo KS/LS, No Foam): clr / arg / E270 (DS/DS) 3/4" IG											
	0.118	0.500	0.118					ARG90	0.037(#3)	CL	SS-D	N,G,S
	U-Factor 0.28			SHGC (N / <1) 0.35 / 0.32				VT (N / <1) 0.53 / 0.47			CR	58
1109	141.294 / Opt 1 (INN Refo KS/LS, No Foam): lami / arg / E270 (DS 090 DS/DS) 3/4" IG											
	0.264	0.345	0.118					ARG90	0.037(#3)	CL	SS-D	N,S
	U-Factor 0.30			SHGC (N / <1) 0.33 / 0.30				VT (N / <1) 0.52 / 0.47			CR	56
	141.294 / Opt 1 (INN Refo KS/LS, No Foam): E270 / arg / lami (DS/DS 090 DS) 3/4" IG											
	0.118	0.345	0.264					ARG90	0.037(#2)	CL	SS-D	N,S
	U-Factor 0.30			SHGC (N / <1) 0.28 / 0.25				VT (N / <1) 0.52 / 0.47			CR	56

NFRC 100/200/500 Summary Sheet
Windgate/Belmont/Hawthorne 2-Lite Slider

ID	Pane Thickness 1	Gap Width 1	Pane Thickness 2	Gap Width 2	Pane Thickness 3	Gap Width 3	Pane Thickness 4	Gap Fill	Low-e (Surface#)	Tint	Spacer	Grid Type
	U-Factor			Solar Heat Gain Coefficient (SHGC) Grids (None / <1 / >=1)				Visible Transmittance (VT) Grids (None / <1 / >=1)			Condensation Resistance	
1110	141.294 / Opt 1 (INN Refo KS/LS, No Foam): lami / arg / E270 (DS 090 DS/DS) 3/4" IG											
	0.264	0.345	0.118					ARG90	0.037(#3)	CL	SS-D	G,S
	U-Factor 0.32			SHGC (<1) 0.30				VT (<1) 0.47			CR 56	
	141.294 / Opt 1 (INN Refo KS/LS, No Foam): E270 / arg / lami (DS/DS 090 DS) 3/4" IG											
	0.118	0.345	0.264					ARG90	0.037(#2)	CL	SS-D	G,S
	U-Factor 0.32			SHGC (<1) 0.25				VT (<1) 0.47			CR 56	
1111	141.294 / Opt 1 (INN Refo KS/LS, No Foam): E270 / arg / clr / arg / E270 (SS/SS/SS) 3/4" IG (SS-D)											
	0.087	0.266	0.087	0.266	0.087			ARG90	0.037(#2) / 0.037(#5)	CL	SS-D	N,S
	U-Factor 0.24			SHGC (N / <1) 0.24 / 0.22				VT (N / <1) 0.42 / 0.37			CR 66	
1112	141.294 / Opt 1 (INN Refo KS/LS, No Foam): E270 / arg / clr / arg / E270 (SS/SS/SS) 3/4" IG (SS-D)											
	0.087	0.266	0.087	0.266	0.087			ARG90	0.037(#2) / 0.037(#5)	CL	SS-D	G,S
	U-Factor 0.25			SHGC (<1) 0.22				VT (<1) 0.37			CR 66	
1113	141.294 / Opt 1 (INN Refo KS/LS, No Foam): E366 / air / clr (SS/SS) 3/4" IG											
	0.087	0.563	0.087					AIR	0.022(#2)	CL	SS-D	N,G,S
	U-Factor 0.32			SHGC (N / <1) 0.21 / 0.19				VT (N / <1) 0.50 / 0.44			CR 56	
	141.294 / Opt 1 (INN Refo KS/LS, No Foam): clr / air / E366 (SS/SS) 3/4" IG											
	0.087	0.563	0.087					AIR	0.022(#3)	CL	SS-D	N,G,S
	U-Factor 0.32			SHGC (N / <1) 0.30 / 0.27				VT (N / <1) 0.50 / 0.44			CR 56	
1114	141.294 / Opt 1 (INN Refo KS/LS, No Foam): E366 / arg / clr (SS/SS) 3/4" IG											
	0.087	0.563	0.087					ARG90	0.022(#2)	CL	SS-D	N,G,S
	U-Factor 0.28			SHGC (N / <1) 0.21 / 0.19				VT (N / <1) 0.50 / 0.44			CR 59	
	141.294 / Opt 1 (INN Refo KS/LS, No Foam): clr / arg / E366 (SS/SS) 3/4" IG											
	0.087	0.563	0.087					ARG90	0.022(#3)	CL	SS-D	N,G,S
	U-Factor 0.28			SHGC (N / <1) 0.30 / 0.27				VT (N / <1) 0.50 / 0.44			CR 59	
1115	141.294 / Opt 1 (INN Refo KS/LS, No Foam): E366 / air / clr (DS/DS) 3/4" IG											
	0.117	0.500	0.118					AIR	0.022(#2)	CL	SS-D	N,G,S
	U-Factor 0.31			SHGC (N / <1) 0.21 / 0.19				VT (N / <1) 0.49 / 0.44			CR 55	
	141.294 / Opt 1 (INN Refo KS/LS, No Foam): clr / air / E366 (DS/DS) 3/4" IG											
	0.118	0.500	0.117					AIR	0.022(#3)	CL	SS-D	N,G,S
	U-Factor 0.31			SHGC (N / <1) 0.29 / 0.27				VT (N / <1) 0.49 / 0.44			CR 55	

**NFRC 100/200/500 Summary Sheet
Windgate/Belmont/Hawthorne 2-Lite Slider**

ID	Pane Thickness 1	Gap Width 1	Pane Thickness 2	Gap Width 2	Pane Thickness 3	Gap Width 3	Pane Thickness 4	Gap Fill	Low-e (Surface#)	Tint	Spacer	Grid Type
	U-Factor			Solar Heat Gain Coefficient (SHGC) Grids (None / <1 / >=1)				Visible Transmittance (VT) Grids (None / <1 / >=1)			Condensation Resistance	
1116	141.294 / Opt 1 (INN Refo KS/LS, No Foam): E366 / arg / clr (DS/DS) 3/4" IG											
	0.117	0.500	0.118					ARG90	0.022(#2)	CL	SS-D	N,G,S
	U-Factor 0.28			SHGC (N / <1) 0.21 / 0.19				VT (N / <1) 0.49 / 0.44			CR 59	
	141.294 / Opt 1 (INN Refo KS/LS, No Foam): clr / arg / E366 (DS/DS) 3/4" IG											
	0.118	0.500	0.117					ARG90	0.022(#3)	CL	SS-D	N,G,S
	U-Factor 0.28			SHGC (N / <1) 0.30 / 0.27				VT (N / <1) 0.49 / 0.44			CR 59	
1117	141.294 / Opt 1 (INN Refo KS/LS, No Foam): lami / arg / E366 (DS 090 DS/DS) 3/4" IG											
	0.264	0.345	0.117					ARG90	0.022(#3)	CL	SS-D	N,S
	U-Factor 0.30			SHGC (N / <1) 0.29 / 0.26				VT (N / <1) 0.48 / 0.43			CR 56	
	141.294 / Opt 1 (INN Refo KS/LS, No Foam): E366 / arg / lami (DS/DS 090 DS) 3/4" IG											
	0.117	0.345	0.264					ARG90	0.022(#2)	CL	SS-D	N,S
	U-Factor 0.30			SHGC (N / <1) 0.21 / 0.19				VT (N / <1) 0.48 / 0.43			CR 56	
1118	141.294 / Opt 1 (INN Refo KS/LS, No Foam): lami / arg / E366 (DS 090 DS/DS) 3/4" IG											
	0.264	0.345	0.117					ARG90	0.022(#3)	CL	SS-D	G,S
	U-Factor 0.31			SHGC (<1) 0.26				VT (<1) 0.43			CR 56	
	141.294 / Opt 1 (INN Refo KS/LS, No Foam): E366 / arg / lami (DS/DS 090 DS) 3/4" IG											
	0.117	0.345	0.264					ARG90	0.022(#2)	CL	SS-D	G,S
	U-Factor 0.31			SHGC (<1) 0.19				VT (<1) 0.43			CR 56	
1119	141.294 / Opt 1 (INN Refo KS/LS, No Foam): E366 / arg / clr / arg / E366 (SS/SS/SS) 3/4" IG (SS-D)											
	0.087	0.266	0.087	0.266	0.087			ARG90	0.022(#2) / 0.022(#5)	CL	SS-D	N,S
	U-Factor 0.24			SHGC (N / <1) 0.19 / 0.17				VT (N / <1) 0.36 / 0.32			CR 66	
1120	141.294 / Opt 1 (INN Refo KS/LS, No Foam): E366 / arg / clr / arg / E366 (SS/SS/SS) 3/4" IG (SS-D)											
	0.087	0.266	0.087	0.266	0.087			ARG90	0.022(#2) / 0.022(#5)	CL	SS-D	G,S
	U-Factor 0.24			SHGC (<1) 0.17				VT (<1) 0.32			CR 66	
1121	141.294 / Opt 1 (INN Refo KS/LS, No Foam): clr / air / clr (SS/SS) 3/4" IG											
	0.087	0.563	0.087					AIR		CL	TS-D	N,G,S
	U-Factor 0.46			SHGC (N / <1) 0.61 / 0.54				VT (N / <1) 0.63 / 0.56			CR 44	
1122	141.294 / Opt 1 (INN Refo KS/LS, No Foam): clr / air / clr (DS/DS) 3/4" IG											
	0.118	0.500	0.118					AIR		CL	TS-D	N,G,S
	U-Factor 0.46			SHGC (N / <1) 0.59 / 0.53				VT (N / <1) 0.62 / 0.56			CR 43	

**NFRC 100/200/500 Summary Sheet
Windgate/Belmont/Hawthorne 2-Lite Slider**

ID	Pane Thickness 1	Gap Width 1	Pane Thickness 2	Gap Width 2	Pane Thickness 3	Gap Width 3	Pane Thickness 4	Gap Width 4	Gap Fill	Low-e (Surface#)	Tint	Spacer	Grid Type
	U-Factor			Solar Heat Gain Coefficient (SHGC) Grids (None / <1 / >=1)					Visible Transmittance (VT) Grids (None / <1 / >=1)			Condensation Resistance	
1123	141.294 / Opt 1 (INN Refo KS/LS, No Foam): clr / air / clr (5mm/DS) 3/4" IG												
	0.185	0.438	0.118						AIR		CL	TS-D	N,G,S
	U-Factor 0.46			SHGC (N / <1) 0.57 / 0.51					VT (N / <1) 0.62 / 0.55			CR 43	
1124	141.294 / Opt 1 (INN Refo KS/LS, No Foam): clr / air / clr (5mm/DS) 3/4" IG												
	0.185	0.438	0.118						AIR		CL	TS-D	G
	U-Factor 0.46			SHGC (<1) 0.51					VT (<1) 0.55			CR 43	
1125	141.294 / Opt 1 (INN Refo KS/LS, No Foam): lami / air / clr (DS 090 DS/DS) 3/4" IG												
	0.264	0.345	0.118						AIR		CL	TS-D	N,S
	U-Factor 0.47			SHGC (N / <1) 0.55 / 0.49					VT (N / <1) 0.61 / 0.55			CR 42	
	141.294 / Opt 1 (INN Refo KS/LS, No Foam): clr / air / lami (DS/DS 090 DS) 3/4" IG												
	0.118	0.345	0.264						AIR		CL	TS-D	N,S
	U-Factor 0.47			SHGC (N / <1) 0.57 / 0.51					VT (N / <1) 0.61 / 0.55			CR 42	
1126	141.294 / Opt 1 (INN Refo KS/LS, No Foam): lami / air / clr (DS 090 DS/DS) 3/4" IG												
	0.264	0.345	0.118						AIR		CL	TS-D	G,S
	U-Factor 0.48			SHGC (<1) 0.49					VT (<1) 0.55			CR 42	
	141.294 / Opt 1 (INN Refo KS/LS, No Foam): clr / air / lami (DS/DS 090 DS) 3/4" IG												
	0.118	0.345	0.264						AIR		CL	TS-D	G,S
	U-Factor 0.48			SHGC (<1) 0.51					VT (<1) 0.55			CR 42	
1127	141.294 / Opt 1 (INN Refo KS/LS, No Foam): clr / air / clr / air / clr (SS/SS/SS) 3/4" IG (P1-S)												
	0.087	0.250	0.087	0.250	0.087				AIR		CL	TS-D	N,S
	U-Factor 0.38			SHGC (N / <1) 0.55 / 0.49					VT (N / <1) 0.58 / 0.52			CR 51	
1128	141.294 / Opt 1 (INN Refo KS/LS, No Foam): clr / air / clr / air / clr (SS/SS/SS) 3/4" IG (P1-S)												
	0.087	0.250	0.087	0.250	0.087				AIR		CL	TS-D	G,S
	U-Factor 0.39			SHGC (<1) 0.49					VT (<1) 0.52			CR 51	
1129	141.294 / Opt 1 (INN Refo KS/LS, No Foam): 70/36 / air / clr (SS/SS) 3/4" IG												
	0.090	0.563	0.090						AIR	0.036(#2)	CL	TS-D	N,G,S
	U-Factor 0.32			SHGC (N / <1) 0.30 / 0.27					VT (N / <1) 0.54 / 0.48			CR 55	
	141.294 / Opt 1 (INN Refo KS/LS, No Foam): clr / air / 70/36 (SS/SS) 3/4" IG												
	0.090	0.563	0.090						AIR	0.036(#3)	CL	TS-D	N,G,S
	U-Factor 0.32			SHGC (N / <1) 0.37 / 0.33					VT (N / <1) 0.54 / 0.48			CR 55	

NFRC 100/200/500 Summary Sheet
Windgate/Belmont/Hawthorne 2-Lite Slider

ID	Pane Thickness 1	Gap Width 1	Pane Thickness 2	Gap Width 2	Pane Thickness 3	Gap Width 3	Pane Thickness 4	Gap Fill	Low-e (Surface#)	Tint	Spacer	Grid Type
	U-Factor			Solar Heat Gain Coefficient (SHGC) Grids (None / <1 / >=1)				Visible Transmittance (VT) Grids (None / <1 / >=1)			Condensation Resistance	
1130	141.294 / Opt 1 (INN Refo KS/LS, No Foam): 70/36 / arg / clr (SS/SS) 3/4" IG											
	0.090	0.563	0.090					ARG90	0.036(#2)	CL	TS-D	N,G,S
	U-Factor 0.29			SHGC (N / <1) 0.30 / 0.27				VT (N / <1) 0.54 / 0.48			CR 58	
1131	141.294 / Opt 1 (INN Refo KS/LS, No Foam): clr / arg / 70/36 (SS/SS) 3/4" IG											
	0.090	0.563	0.090					ARG90	0.036(#3)	CL	TS-D	N,G,S
	U-Factor 0.29			SHGC (N / <1) 0.38 / 0.34				VT (N / <1) 0.54 / 0.48			CR 58	
1132	141.294 / Opt 1 (INN Refo KS/LS, No Foam): 70/36 / air / clr (DS/DS) 3/4" IG											
	0.117	0.500	0.117					AIR	0.036(#2)	CL	TS-D	N,G,S
	U-Factor 0.32			SHGC (N / <1) 0.30 / 0.27				VT (N / <1) 0.53 / 0.47			CR 53	
1133	141.294 / Opt 1 (INN Refo KS/LS, No Foam): clr / air / 70/36 (DS/DS) 3/4" IG											
	0.117	0.500	0.117					AIR	0.036(#3)	CL	TS-D	N,G,S
	U-Factor 0.32			SHGC (N / <1) 0.37 / 0.33				VT (N / <1) 0.53 / 0.47			CR 53	
1134	141.294 / Opt 1 (INN Refo KS/LS, No Foam): 70/36 / arg / clr (DS/DS) 3/4" IG											
	0.117	0.500	0.117					ARG90	0.036(#2)	CL	TS-D	N,G,S
	U-Factor 0.29			SHGC (N / <1) 0.29 / 0.27				VT (N / <1) 0.53 / 0.47			CR 56	
1135	141.294 / Opt 1 (INN Refo KS/LS, No Foam): clr / arg / 70/36 (DS/DS) 3/4" IG											
	0.117	0.500	0.117					ARG90	0.036(#3)	CL	TS-D	N,G,S
	U-Factor 0.29			SHGC (N / <1) 0.37 / 0.33				VT (N / <1) 0.53 / 0.47			CR 56	
1136	141.294 / Opt 1 (INN Refo KS/LS, No Foam): lami / arg / 70/36 (DS 090 DS/DS) 3/4" IG											
	0.264	0.345	0.117					ARG90	0.036(#3)	CL	TS-D	N,S
	U-Factor 0.31			SHGC (N / <1) 0.35 / 0.32				VT (N / <1) 0.52 / 0.47			CR 55	
1137	141.294 / Opt 1 (INN Refo KS/LS, No Foam): 70/36 / arg / lami (DS/DS 090 DS) 3/4" IG											
	0.117	0.345	0.264					ARG90	0.036(#2)	CL	TS-D	N,S
	U-Factor 0.31			SHGC (N / <1) 0.29 / 0.26				VT (N / <1) 0.52 / 0.47			CR 55	
1138	141.294 / Opt 1 (INN Refo KS/LS, No Foam): lami / arg / 70/36 (DS 090 DS/DS) 3/4" IG											
	0.264	0.345	0.117					ARG90	0.036(#3)	CL	TS-D	G,S
	U-Factor 0.32			SHGC (<1) 0.32				VT (<1) 0.47			CR 55	
1139	141.294 / Opt 1 (INN Refo KS/LS, No Foam): 70/36 / arg / lami (DS/DS 090 DS) 3/4" IG											
	0.117	0.345	0.264					ARG90	0.036(#2)	CL	TS-D	G,S
	U-Factor 0.32			SHGC (<1) 0.26				VT (<1) 0.47			CR 55	

NFRC 100/200/500 Summary Sheet
Windgate/Belmont/Hawthorne 2-Lite Slider

ID	Pane Thickness 1	Gap Width 1	Pane Thickness 2	Gap Width 2	Pane Thickness 3	Gap Width 3	Pane Thickness 4	Gap Fill	Low-e (Surface#)	Tint	Spacer	Grid Type
	U-Factor			Solar Heat Gain Coefficient (SHGC) <small>Grids (None / <1 / >=1)</small>				Visible Transmittance (VT) <small>Grids (None / <1 / >=1)</small>			Condensation Resistance	
1135	141.294 / Opt 1 (INN Refo KS/LS, No Foam): 70/36 / arg / clr / arg / 70/36 (SS/SS/SS) 3/4" IG											
	0.090	0.250	0.090	0.250	0.090			ARG90	0.036(#2) / 0.036(#5)	CL	TS-D	N,S
	U-Factor 0.25			SHGC (N / <1) 0.26 / 0.23				VT (N / <1) 0.42 / 0.37			CR 63	
1136	141.294 / Opt 1 (INN Refo KS/LS, No Foam): 70/36 / arg / clr / arg / 70/36 (SS/SS/SS) 3/4" IG											
	0.090	0.250	0.090	0.250	0.090			ARG90	0.036(#2) / 0.036(#5)	CL	TS-D	G,S
	U-Factor 0.26			SHGC (<1) 0.23				VT (<1) 0.37			CR 62	
1137	141.294 / Opt 1 (INN Refo KS/LS, No Foam): 80/70 / air / clr (SS/SS) 3/4" IG											
	0.090	0.563	0.090					AIR	0.095(#2)	CL	TS-D	N,G,S
	U-Factor 0.34			SHGC (N / <1) 0.51 / 0.46				VT (N / <1) 0.62 / 0.55			CR 53	
	141.294 / Opt 1 (INN Refo KS/LS, No Foam): clr / air / 80/70 (SS/SS) 3/4" IG											
	0.090	0.563	0.090					AIR	0.095(#3)	CL	TS-D	N,G,S
	U-Factor 0.34			SHGC (N / <1) 0.54 / 0.49				VT (N / <1) 0.62 / 0.55			CR 53	
1138	141.294 / Opt 1 (INN Refo KS/LS, No Foam): 80/70 / arg / clr (SS/SS) 3/4" IG											
	0.090	0.563	0.090					ARG90	0.095(#2)	CL	TS-D	N,G,S
	U-Factor 0.31			SHGC (N / <1) 0.51 / 0.46				VT (N / <1) 0.62 / 0.55			CR 56	
	141.294 / Opt 1 (INN Refo KS/LS, No Foam): clr / arg / 80/70 (SS/SS) 3/4" IG											
	0.090	0.563	0.090					ARG90	0.095(#3)	CL	TS-D	N,G,S
	U-Factor 0.31			SHGC (N / <1) 0.54 / 0.49				VT (N / <1) 0.62 / 0.55			CR 56	
1139	141.294 / Opt 1 (INN Refo KS/LS, No Foam): 80/70 / air / clr (DS/DS) 3/4" IG											
	0.117	0.500	0.117					AIR	0.095(#2)	CL	TS-D	N,G,S
	U-Factor 0.34			SHGC (N / <1) 0.51 / 0.45				VT (N / <1) 0.61 / 0.55			CR 52	
	141.294 / Opt 1 (INN Refo KS/LS, No Foam): clr / air / 80/70 (DS/DS) 3/4" IG											
	0.117	0.500	0.117					AIR	0.095(#3)	CL	TS-D	N,G,S
	U-Factor 0.34			SHGC (N / <1) 0.53 / 0.48				VT (N / <1) 0.61 / 0.55			CR 52	
1140	141.294 / Opt 1 (INN Refo KS/LS, No Foam): 80/70 / arg / clr (DS/DS) 3/4" IG											
	0.117	0.500	0.117					ARG90	0.095(#2)	CL	TS-D	N,G,S
	U-Factor 0.30			SHGC (N / <1) 0.51 / 0.45				VT (N / <1) 0.61 / 0.55			CR 55	
	141.294 / Opt 1 (INN Refo KS/LS, No Foam): clr / arg / 80/70 (DS/DS) 3/4" IG											
	0.117	0.500	0.117					ARG90	0.095(#3)	CL	TS-D	N,G,S
	U-Factor 0.30			SHGC (N / <1) 0.54 / 0.48				VT (N / <1) 0.61 / 0.55			CR 55	

NFRC 100/200/500 Summary Sheet
Windgate/Belmont/Hawthorne 2-Lite Slider

ID	Pane Thickness 1	Gap Width 1	Pane Thickness 2	Gap Width 2	Pane Thickness 3	Gap Width 3	Pane Thickness 4	Gap Fill	Low-e (Surface#)	Tint	Spacer	Grid Type
	U-Factor			Solar Heat Gain Coefficient (SHGC) Grids (None / <1 / >=1)				Visible Transmittance (VT) Grids (None / <1 / >=1)			Condensation Resistance	
1141	141.294 / Opt 1 (INN Refo KS/LS, No Foam): lami / arg / 80/70 (DS 090 DS/DS) 3/4" IG											
	0.264	0.345	0.117					ARG90	0.095(#3)	CL	TS-D	N,S
	U-Factor 0.32			SHGC (N / <1) 0.49 / 0.44				VT (N / <1) 0.60 / 0.54			CR	54
	141.294 / Opt 1 (INN Refo KS/LS, No Foam): 80/70 / arg / lami (DS/DS 090 DS) 3/4" IG											
	0.117	0.345	0.264					ARG90	0.095(#2)	CL	TS-D	N,S
	U-Factor 0.32			SHGC (N / <1) 0.50 / 0.45				VT (N / <1) 0.60 / 0.54			CR	54
1142	141.294 / Opt 1 (INN Refo KS/LS, No Foam): lami / arg / 80/70 (DS 090 DS/DS) 3/4" IG											
	0.264	0.345	0.117					ARG90	0.095(#3)	CL	TS-D	G,S
	U-Factor 0.34			SHGC (<1) 0.44				VT (<1) 0.54			CR	54
	141.294 / Opt 1 (INN Refo KS/LS, No Foam): 80/70 / arg / lami (DS/DS 090 DS) 3/4" IG											
	0.117	0.345	0.264					ARG90	0.095(#2)	CL	TS-D	G,S
	U-Factor 0.34			SHGC (<1) 0.45				VT (<1) 0.54			CR	54
1143	141.294 / Opt 1 (INN Refo KS/LS, No Foam): 80/70 / arg / clr / arg / 80/70 (SS/SS/SS) 3/4" IG											
	0.090	0.250	0.090	0.250	0.090			ARG90	0.095(#2) / 0.095(#5)	CL	TS-D	N,S
	U-Factor 0.26			SHGC (N / <1) 0.45 / 0.41				VT (N / <1) 0.56 / 0.50			CR	62
1144	141.294 / Opt 1 (INN Refo KS/LS, No Foam): 80/70 / arg / clr / arg / 80/70 (SS/SS/SS) 3/4" IG											
	0.090	0.250	0.090	0.250	0.090			ARG90	0.095(#2) / 0.095(#5)	CL	TS-D	G,S
	U-Factor 0.27			SHGC (<1) 0.41				VT (<1) 0.50			CR	62
1145	141.294 / Opt 2 (INN Refo KS/LS/S, No Foam): clr / air / clr (SS/SS) 3/4" IG											
	0.087	0.563	0.087					AIR		CL	P1-S	N,G,S
	U-Factor 0.45			SHGC (N / <1) 0.61 / 0.54				VT (N / <1) 0.63 / 0.56			CR	46
1146	141.294 / Opt 2 (INN Refo KS/LS/S, No Foam): clr / air / clr (DS/DS) 3/4" IG											
	0.118	0.500	0.118					AIR		CL	P1-S	N,G,S
	U-Factor 0.45			SHGC (N / <1) 0.59 / 0.53				VT (N / <1) 0.62 / 0.56			CR	45
1147	141.294 / Opt 2 (INN Refo KS/LS/S, No Foam): clr / air / clr (5mm/DS) 3/4" IG											
	0.185	0.438	0.118					AIR		CL	P1-S	N,G,S
	U-Factor 0.45			SHGC (N / <1) 0.57 / 0.51				VT (N / <1) 0.62 / 0.55			CR	45
1148	141.294 / Opt 2 (INN Refo KS/LS/S, No Foam): clr / air / clr (5mm/DS) 3/4" IG											
	0.185	0.438	0.118					AIR		CL	P1-S	G
	U-Factor 0.46			SHGC (<1) 0.51				VT (<1) 0.55			CR	45

NFRC 100/200/500 Summary Sheet
Windgate/Belmont/Hawthorne 2-Lite Slider

ID	Pane Thickness 1	Gap Width 1	Pane Thickness 2	Gap Width 2	Pane Thickness 3	Gap Width 3	Pane Thickness 4	Gap Fill	Low-e (Surface#)	Tint	Spacer	Grid Type
	U-Factor			Solar Heat Gain Coefficient (SHGC) Grids (None / <1 / >=1)				Visible Transmittance (VT) Grids (None / <1 / >=1)			Condensation Resistance	
1149	141.294 / Opt 2 (INN Refo KS/LS/S, No Foam): lami / air / clr (DS 090 DS/DS) 3/4" IG											
	0.264	0.345	0.118					AIR		CL	P1-S	N,S
	U-Factor 0.47			SHGC (N / <1) 0.55 / 0.49				VT (N / <1) 0.61 / 0.55			CR 44	
	141.294 / Opt 2 (INN Refo KS/LS/S, No Foam): clr / air / lami (DS/DS 090 DS) 3/4" IG											
	0.118	0.345	0.264					AIR		CL	P1-S	N,S
	U-Factor 0.47			SHGC (N / <1) 0.57 / 0.51				VT (N / <1) 0.61 / 0.55			CR 44	
1150	141.294 / Opt 2 (INN Refo KS/LS/S, No Foam): lami / air / clr (DS 090 DS/DS) 3/4" IG											
	0.264	0.345	0.118					AIR		CL	P1-S	G,S
	U-Factor 0.47			SHGC (<1) 0.49				VT (<1) 0.55			CR 44	
	141.294 / Opt 2 (INN Refo KS/LS/S, No Foam): clr / air / lami (DS/DS 090 DS) 3/4" IG											
	0.118	0.345	0.264					AIR		CL	P1-S	G,S
	U-Factor 0.47			SHGC (<1) 0.51				VT (<1) 0.55			CR 44	
1151	141.294 / Opt 2 (INN Refo KS/LS/S, No Foam): clr / air / clr / air / clr (SS/SS/SS) 3/4" IG (P1-S)											
	0.087	0.250	0.087	0.250	0.087			AIR		CL	P1-S	N,S
	U-Factor 0.37			SHGC (N / <1) 0.55 / 0.49				VT (N / <1) 0.58 / 0.52			CR 53	
1152	141.294 / Opt 2 (INN Refo KS/LS/S, No Foam): clr / air / clr / air / clr (SS/SS/SS) 3/4" IG (P1-S)											
	0.087	0.250	0.087	0.250	0.087			AIR		CL	P1-S	G,S
	U-Factor 0.38			SHGC (<1) 0.49				VT (<1) 0.52			CR 53	
1153	141.294 / Opt 2 (INN Refo KS/LS/S, No Foam): E270 / air / clr (SS/SS) 3/4" IG											
	0.087	0.563	0.087					AIR	0.037(#2)	CL	P1-S	N,G,S
	U-Factor 0.31			SHGC (N / <1) 0.29 / 0.26				VT (N / <1) 0.54 / 0.48			CR 59	
	141.294 / Opt 2 (INN Refo KS/LS/S, No Foam): clr / air / E270 (SS/SS) 3/4" IG											
	0.087	0.563	0.087					AIR	0.037(#3)	CL	P1-S	N,G,S
	U-Factor 0.31			SHGC (N / <1) 0.35 / 0.32				VT (N / <1) 0.54 / 0.48			CR 59	
1154	141.294 / Opt 2 (INN Refo KS/LS/S, No Foam): E270 / arg / clr (SS/SS) 3/4" IG											
	0.087	0.563	0.087					ARG90	0.037(#2)	CL	P1-S	N,G,S
	U-Factor 0.28			SHGC (N / <1) 0.28 / 0.26				VT (N / <1) 0.54 / 0.48			CR 62	
	141.294 / Opt 2 (INN Refo KS/LS/S, No Foam): clr / arg / E270 (SS/SS) 3/4" IG											
	0.087	0.563	0.087					ARG90	0.037(#3)	CL	P1-S	N,G,S
	U-Factor 0.28			SHGC (N / <1) 0.36 / 0.32				VT (N / <1) 0.54 / 0.48			CR 62	

NFRC 100/200/500 Summary Sheet
Windgate/Belmont/Hawthorne 2-Lite Slider

ID	Pane Thickness 1	Gap Width 1	Pane Thickness 2	Gap Width 2	Pane Thickness 3	Gap Width 3	Pane Thickness 4	Gap Fill	Low-e (Surface#)	Tint	Spacer	Grid Type
	U-Factor			Solar Heat Gain Coefficient (SHGC) Grids (None / <1 / >=1)				Visible Transmittance (VT) Grids (None / <1 / >=1)			Condensation Resistance	
1155	141.294 / Opt 2 (INN Refo KS/LS/S, No Foam): E270 / air / clr (DS/DS) 3/4" IG											
	0.118	0.500	0.118					AIR	0.037(#2)	CL	P1-S	N,G,S
	U-Factor 0.31			SHGC (N / <1) 0.29 / 0.26				VT (N / <1) 0.53 / 0.47			CR	58
	141.294 / Opt 2 (INN Refo KS/LS/S, No Foam): clr / air / E270 (DS/DS) 3/4" IG											
	0.118	0.500	0.118					AIR	0.037(#3)	CL	P1-S	N,G,S
	U-Factor 0.31			SHGC (N / <1) 0.35 / 0.31				VT (N / <1) 0.53 / 0.47			CR	58
1156	141.294 / Opt 2 (INN Refo KS/LS/S, No Foam): E270 / arg / clr (DS/DS) 3/4" IG											
	0.118	0.500	0.118					ARG90	0.037(#2)	CL	P1-S	N,G,S
	U-Factor 0.28			SHGC (N / <1) 0.28 / 0.25				VT (N / <1) 0.53 / 0.47			CR	61
	141.294 / Opt 2 (INN Refo KS/LS/S, No Foam): clr / arg / E270 (DS/DS) 3/4" IG											
	0.118	0.500	0.118					ARG90	0.037(#3)	CL	P1-S	N,G,S
	U-Factor 0.28			SHGC (N / <1) 0.35 / 0.32				VT (N / <1) 0.53 / 0.47			CR	61
1157	141.294 / Opt 2 (INN Refo KS/LS/S, No Foam): lami / arg / E270 (DS 090 DS/DS) 3/4" IG											
	0.264	0.345	0.118					ARG90	0.037(#3)	CL	P1-S	N,S
	U-Factor 0.30			SHGC (N / <1) 0.33 / 0.30				VT (N / <1) 0.52 / 0.47			CR	59
	141.294 / Opt 2 (INN Refo KS/LS/S, No Foam): E270 / arg / lami (DS/DS 090 DS) 3/4" IG											
	0.118	0.345	0.264					ARG90	0.037(#2)	CL	P1-S	N,S
	U-Factor 0.30			SHGC (N / <1) 0.28 / 0.25				VT (N / <1) 0.52 / 0.47			CR	59
1158	141.294 / Opt 2 (INN Refo KS/LS/S, No Foam): lami / arg / E270 (DS 090 DS/DS) 3/4" IG											
	0.264	0.345	0.118					ARG90	0.037(#3)	CL	P1-S	G,S
	U-Factor 0.31			SHGC (<1) 0.30				VT (<1) 0.47			CR	59
	141.294 / Opt 2 (INN Refo KS/LS/S, No Foam): E270 / arg / lami (DS/DS 090 DS) 3/4" IG											
	0.118	0.345	0.264					ARG90	0.037(#2)	CL	P1-S	G,S
	U-Factor 0.31			SHGC (<1) 0.25				VT (<1) 0.47			CR	59
1159	141.294 / Opt 2 (INN Refo KS/LS/S, No Foam): E270 / arg / clr / arg / E270 (SS/SS/SS) 3/4" IG (P1-S)											
	0.087	0.250	0.087	0.250	0.087			ARG90	0.037(#2) / 0.037(#5)	CL	P1-S	N,S
	U-Factor 0.24			SHGC (N / <1) 0.24 / 0.22				VT (N / <1) 0.42 / 0.37			CR	68
1160	141.294 / Opt 2 (INN Refo KS/LS/S, No Foam): E270 / arg / clr / arg / E270 (SS/SS/SS) 3/4" IG (P1-S)											
	0.087	0.250	0.087	0.250	0.087			ARG90	0.037(#2) / 0.037(#5)	CL	P1-S	G,S
	U-Factor 0.25			SHGC (<1) 0.22				VT (<1) 0.37			CR	68

NFRC 100/200/500 Summary Sheet
Windgate/Belmont/Hawthorne 2-Lite Slider

ID	Pane Thickness 1	Gap Width 1	Pane Thickness 2	Gap Width 2	Pane Thickness 3	Gap Width 3	Pane Thickness 4	Gap Fill	Low-e (Surface#)	Tint	Spacer	Grid Type
	U-Factor			Solar Heat Gain Coefficient (SHGC) Grids (None / <1 / >=1)				Visible Transmittance (VT) Grids (None / <1 / >=1)			Condensation Resistance	
1161	141.294 / Opt 2 (INN Refo KS/LS/S, No Foam): E366 / air / clr (SS/SS) 3/4" IG											
	0.087	0.563	0.087					AIR	0.022(#2)	CL	P1-S	N,G,S
	U-Factor 0.31			SHGC (N / <1) 0.21 / 0.19				VT (N / <1) 0.50 / 0.44			CR	59
	141.294 / Opt 2 (INN Refo KS/LS/S, No Foam): clr / air / E366 (SS/SS) 3/4" IG											
	0.087	0.563	0.087					AIR	0.022(#3)	CL	P1-S	N,G,S
	U-Factor 0.31			SHGC (N / <1) 0.30 / 0.27				VT (N / <1) 0.50 / 0.44			CR	59
1162	141.294 / Opt 2 (INN Refo KS/LS/S, No Foam): E366 / arg / clr (SS/SS) 3/4" IG											
	0.087	0.563	0.087					ARG90	0.022(#2)	CL	P1-S	N,G,S
	U-Factor 0.27			SHGC (N / <1) 0.21 / 0.19				VT (N / <1) 0.50 / 0.44			CR	63
	141.294 / Opt 2 (INN Refo KS/LS/S, No Foam): clr / arg / E366 (SS/SS) 3/4" IG											
	0.087	0.563	0.087					ARG90	0.022(#3)	CL	P1-S	N,G,S
	U-Factor 0.27			SHGC (N / <1) 0.30 / 0.27				VT (N / <1) 0.50 / 0.44			CR	63
1163	141.294 / Opt 2 (INN Refo KS/LS/S, No Foam): E366 / air / clr (DS/DS) 3/4" IG											
	0.117	0.500	0.118					AIR	0.022(#2)	CL	P1-S	N,G,S
	U-Factor 0.31			SHGC (N / <1) 0.21 / 0.19				VT (N / <1) 0.49 / 0.44			CR	58
	141.294 / Opt 2 (INN Refo KS/LS/S, No Foam): clr / air / E366 (DS/DS) 3/4" IG											
	0.118	0.500	0.117					AIR	0.022(#3)	CL	P1-S	N,G,S
	U-Factor 0.31			SHGC (N / <1) 0.29 / 0.27				VT (N / <1) 0.49 / 0.44			CR	58
1164	141.294 / Opt 2 (INN Refo KS/LS/S, No Foam): E366 / arg / clr (DS/DS) 3/4" IG											
	0.117	0.500	0.118					ARG90	0.022(#2)	CL	P1-S	N,G,S
	U-Factor 0.27			SHGC (N / <1) 0.21 / 0.19				VT (N / <1) 0.49 / 0.44			CR	62
	141.294 / Opt 2 (INN Refo KS/LS/S, No Foam): clr / arg / E366 (DS/DS) 3/4" IG											
	0.118	0.500	0.117					ARG90	0.022(#3)	CL	P1-S	N,G,S
	U-Factor 0.27			SHGC (N / <1) 0.30 / 0.27				VT (N / <1) 0.49 / 0.44			CR	62
1165	141.294 / Opt 2 (INN Refo KS/LS/S, No Foam): lami / arg / E366 (DS 090 DS/DS) 3/4" IG											
	0.264	0.345	0.117					ARG90	0.022(#3)	CL	P1-S	N,S
	U-Factor 0.29			SHGC (N / <1) 0.29 / 0.26				VT (N / <1) 0.48 / 0.43			CR	60
	141.294 / Opt 2 (INN Refo KS/LS/S, No Foam): E366 / arg / lami (DS/DS 090 DS) 3/4" IG											
	0.117	0.345	0.264					ARG90	0.022(#2)	CL	P1-S	N,S
	U-Factor 0.29			SHGC (N / <1) 0.21 / 0.19				VT (N / <1) 0.48 / 0.43			CR	60

NFRC 100/200/500 Summary Sheet
Windgate/Belmont/Hawthorne 2-Lite Slider

ID	Pane Thickness 1	Gap Width 1	Pane Thickness 2	Gap Width 2	Pane Thickness 3	Gap Width 3	Pane Thickness 4	Gap Fill	Low-e (Surface#)	Tint	Spacer	Grid Type
	U-Factor			Solar Heat Gain Coefficient (SHGC) Grids (None / <1 / >=1)				Visible Transmittance (VT) Grids (None / <1 / >=1)			Condensation Resistance	
1166	141.294 / Opt 2 (INN Refo KS/LS/S, No Foam): lami / arg / E366 (DS 090 DS/DS) 3/4" IG											
	0.264	0.345	0.117					ARG90	0.022(#3)	CL	P1-S	G,S
	U-Factor 0.31			SHGC (<1) 0.26				VT (<1) 0.43			CR 60	
	141.294 / Opt 2 (INN Refo KS/LS/S, No Foam): E366 / arg / lami (DS/DS 090 DS) 3/4" IG											
	0.117	0.345	0.264					ARG90	0.022(#2)	CL	P1-S	G,S
	U-Factor 0.31			SHGC (<1) 0.19				VT (<1) 0.43			CR 60	
1167	141.294 / Opt 2 (INN Refo KS/LS/S, No Foam): E366 / arg / clr / arg / E366 (SS/SS/SS) 3/4" IG (P1-S)											
	0.087	0.250	0.087	0.250	0.087			ARG90	0.022(#2) / 0.022(#5)	CL	P1-S	N,S
	U-Factor 0.24			SHGC (N / <1) 0.19 / 0.17				VT (N / <1) 0.36 / 0.32			CR 68	
1168	141.294 / Opt 2 (INN Refo KS/LS/S, No Foam): E366 / arg / clr / arg / E366 (SS/SS/SS) 3/4" IG (P1-S)											
	0.087	0.250	0.087	0.250	0.087			ARG90	0.022(#2) / 0.022(#5)	CL	P1-S	G,S
	U-Factor 0.24			SHGC (<1) 0.17				VT (<1) 0.32			CR 68	
1169	141.294 / Opt 2 (INN Refo KS/LS/S, No Foam): 70/36 / air / clr (SS/SS) 3/4" IG											
	0.090	0.563	0.090					AIR	0.036(#2)	CL	P1-S	N,G,S
	U-Factor 0.31			SHGC (N / <1) 0.30 / 0.27				VT (N / <1) 0.54 / 0.48			CR 59	
	141.294 / Opt 2 (INN Refo KS/LS/S, No Foam): clr / air / 70/36 (SS/SS) 3/4" IG											
	0.090	0.563	0.090					AIR	0.036(#3)	CL	P1-S	N,G,S
	U-Factor 0.31			SHGC (N / <1) 0.37 / 0.33				VT (N / <1) 0.54 / 0.48			CR 59	
1170	141.294 / Opt 2 (INN Refo KS/LS/S, No Foam): 70/36 / arg / clr (SS/SS) 3/4" IG											
	0.090	0.563	0.090					ARG90	0.036(#2)	CL	P1-S	N,G,S
	U-Factor 0.28			SHGC (N / <1) 0.30 / 0.27				VT (N / <1) 0.54 / 0.48			CR 62	
	141.294 / Opt 2 (INN Refo KS/LS/S, No Foam): clr / arg / 70/36 (SS/SS) 3/4" IG											
	0.090	0.563	0.090					ARG90	0.036(#3)	CL	P1-S	N,G,S
	U-Factor 0.28			SHGC (N / <1) 0.38 / 0.34				VT (N / <1) 0.54 / 0.48			CR 62	
1171	141.294 / Opt 2 (INN Refo KS/LS/S, No Foam): 70/36 / air / clr (DS/DS) 3/4" IG											
	0.117	0.500	0.117					AIR	0.036(#2)	CL	P1-S	N,G,S
	U-Factor 0.31			SHGC (N / <1) 0.30 / 0.27				VT (N / <1) 0.53 / 0.47			CR 58	
	141.294 / Opt 2 (INN Refo KS/LS/S, No Foam): clr / air / 70/36 (DS/DS) 3/4" IG											
	0.117	0.500	0.117					AIR	0.036(#3)	CL	P1-S	N,G,S
	U-Factor 0.31			SHGC (N / <1) 0.37 / 0.33				VT (N / <1) 0.53 / 0.47			CR 58	

NFRC 100/200/500 Summary Sheet
Windgate/Belmont/Hawthorne 2-Lite Slider

ID	Pane Thickness 1	Gap Width 1	Pane Thickness 2	Gap Width 2	Pane Thickness 3	Gap Width 3	Pane Thickness 4	Gap Fill	Low-e (Surface#)	Tint	Spacer	Grid Type
	U-Factor			Solar Heat Gain Coefficient (SHGC) Grids (None / <1 / >=1)				Visible Transmittance (VT) Grids (None / <1 / >=1)			Condensation Resistance	
1172	141.294 / Opt 2 (INN Refo KS/LS/S, No Foam): 70/36 / arg / clr (DS/DS) 3/4" IG											
	0.117	0.500	0.117					ARG90	0.036(#2)	CL	P1-S	N,G,S
	U-Factor 0.27			SHGC (N / <1) 0.29 / 0.27				VT (N / <1) 0.53 / 0.47			CR	61
	141.294 / Opt 2 (INN Refo KS/LS/S, No Foam): clr / arg / 70/36 (DS/DS) 3/4" IG											
	0.117	0.500	0.117					ARG90	0.036(#3)	CL	P1-S	N,G,S
	U-Factor 0.27			SHGC (N / <1) 0.37 / 0.33				VT (N / <1) 0.53 / 0.47			CR	61
1173	141.294 / Opt 2 (INN Refo KS/LS/S, No Foam): lami / arg / 70/36 (DS 090 DS/DS) 3/4" IG											
	0.264	0.345	0.117					ARG90	0.036(#3)	CL	P1-S	N,S
	U-Factor 0.29			SHGC (N / <1) 0.35 / 0.32				VT (N / <1) 0.52 / 0.47			CR	59
	141.294 / Opt 2 (INN Refo KS/LS/S, No Foam): 70/36 / arg / lami (DS/DS 090 DS) 3/4" IG											
	0.117	0.345	0.264					ARG90	0.036(#2)	CL	P1-S	N,S
	U-Factor 0.29			SHGC (N / <1) 0.29 / 0.26				VT (N / <1) 0.52 / 0.47			CR	59
1174	141.294 / Opt 2 (INN Refo KS/LS/S, No Foam): lami / arg / 70/36 (DS 090 DS/DS) 3/4" IG											
	0.264	0.345	0.117					ARG90	0.036(#3)	CL	P1-S	G,S
	U-Factor 0.31			SHGC (<1) 0.32				VT (<1) 0.47			CR	59
	141.294 / Opt 2 (INN Refo KS/LS/S, No Foam): 70/36 / arg / lami (DS/DS 090 DS) 3/4" IG											
	0.117	0.345	0.264					ARG90	0.036(#2)	CL	P1-S	G,S
	U-Factor 0.31			SHGC (<1) 0.26				VT (<1) 0.47			CR	59
1175	141.294 / Opt 2 (INN Refo KS/LS/S, No Foam): 70/36 / arg / clr / arg / 70/36 (SS/SS/SS) 3/4" IG											
	0.090	0.250	0.090	0.250	0.090			ARG90	0.036(#2) / 0.036(#5)	CL	P1-S	N,S
	U-Factor 0.24			SHGC (N / <1) 0.26 / 0.23				VT (N / <1) 0.42 / 0.37			CR	68
1176	141.294 / Opt 2 (INN Refo KS/LS/S, No Foam): 70/36 / arg / clr / arg / 70/36 (SS/SS/SS) 3/4" IG											
	0.090	0.250	0.090	0.250	0.090			ARG90	0.036(#2) / 0.036(#5)	CL	P1-S	G,S
	U-Factor 0.25			SHGC (<1) 0.23				VT (<1) 0.37			CR	68
1177	141.294 / Opt 2 (INN Refo KS/LS/S, No Foam): 80/70 / air / clr (SS/SS) 3/4" IG											
	0.090	0.563	0.090					AIR	0.095(#2)	CL	P1-S	N,G,S
	U-Factor 0.33			SHGC (N / <1) 0.51 / 0.46				VT (N / <1) 0.62 / 0.55			CR	57
	141.294 / Opt 2 (INN Refo KS/LS/S, No Foam): clr / air / 80/70 (SS/SS) 3/4" IG											
	0.090	0.563	0.090					AIR	0.095(#3)	CL	P1-S	N,G,S
	U-Factor 0.33			SHGC (N / <1) 0.54 / 0.49				VT (N / <1) 0.62 / 0.55			CR	57

NFRC 100/200/500 Summary Sheet
Windgate/Belmont/Hawthorne 2-Lite Slider

ID	Pane Thickness 1	Gap Width 1	Pane Thickness 2	Gap Width 2	Pane Thickness 3	Gap Width 3	Pane Thickness 4	Gap Fill	Low-e (Surface#)	Tint	Spacer	Grid Type
	U-Factor			Solar Heat Gain Coefficient (SHGC) Grids (None / <1 / >=1)				Visible Transmittance (VT) Grids (None / <1 / >=1)			Condensation Resistance	
1178	141.294 / Opt 2 (INN Refo KS/LS/S, No Foam): 80/70 / arg / clr (SS/SS) 3/4" IG											
	0.090	0.563	0.090					ARG90	0.095(#2)	CL	P1-S	N,G,S
	U-Factor 0.29			SHGC (N / <1) 0.51 / 0.46				VT (N / <1) 0.62 / 0.55			CR	61
	141.294 / Opt 2 (INN Refo KS/LS/S, No Foam): clr / arg / 80/70 (SS/SS) 3/4" IG											
	0.090	0.563	0.090					ARG90	0.095(#3)	CL	P1-S	N,G,S
	U-Factor 0.29			SHGC (N / <1) 0.54 / 0.49				VT (N / <1) 0.62 / 0.55			CR	61
1179	141.294 / Opt 2 (INN Refo KS/LS/S, No Foam): 80/70 / air / clr (DS/DS) 3/4" IG											
	0.117	0.500	0.117					AIR	0.095(#2)	CL	P1-S	N,G,S
	U-Factor 0.32			SHGC (N / <1) 0.51 / 0.45				VT (N / <1) 0.61 / 0.55			CR	56
	141.294 / Opt 2 (INN Refo KS/LS/S, No Foam): clr / air / 80/70 (DS/DS) 3/4" IG											
	0.117	0.500	0.117					AIR	0.095(#3)	CL	P1-S	N,G,S
	U-Factor 0.32			SHGC (N / <1) 0.53 / 0.48				VT (N / <1) 0.61 / 0.55			CR	56
1180	141.294 / Opt 2 (INN Refo KS/LS/S, No Foam): 80/70 / arg / clr (DS/DS) 3/4" IG											
	0.117	0.500	0.117					ARG90	0.095(#2)	CL	P1-S	N,G,S
	U-Factor 0.29			SHGC (N / <1) 0.51 / 0.45				VT (N / <1) 0.61 / 0.55			CR	60
	141.294 / Opt 2 (INN Refo KS/LS/S, No Foam): clr / arg / 80/70 (DS/DS) 3/4" IG											
	0.117	0.500	0.117					ARG90	0.095(#3)	CL	P1-S	N,G,S
	U-Factor 0.29			SHGC (N / <1) 0.54 / 0.48				VT (N / <1) 0.61 / 0.55			CR	60
1181	141.294 / Opt 2 (INN Refo KS/LS/S, No Foam): lami / arg / 80/70 (DS 090 DS/DS) 3/4" IG											
	0.264	0.345	0.117					ARG90	0.095(#3)	CL	P1-S	N,S
	U-Factor 0.31			SHGC (N / <1) 0.49 / 0.44				VT (N / <1) 0.60 / 0.54			CR	58
	141.294 / Opt 2 (INN Refo KS/LS/S, No Foam): 80/70 / arg / lami (DS/DS 090 DS) 3/4" IG											
	0.117	0.345	0.264					ARG90	0.095(#2)	CL	P1-S	N,S
	U-Factor 0.31			SHGC (N / <1) 0.50 / 0.45				VT (N / <1) 0.60 / 0.54			CR	58
1182	141.294 / Opt 2 (INN Refo KS/LS/S, No Foam): lami / arg / 80/70 (DS 090 DS/DS) 3/4" IG											
	0.264	0.345	0.117					ARG90	0.095(#3)	CL	P1-S	G,S
	U-Factor 0.32			SHGC (<1) 0.44				VT (<1) 0.54			CR	58
	141.294 / Opt 2 (INN Refo KS/LS/S, No Foam): 80/70 / arg / lami (DS/DS 090 DS) 3/4" IG											
	0.117	0.345	0.264					ARG90	0.095(#2)	CL	P1-S	G,S
	U-Factor 0.32			SHGC (<1) 0.45				VT (<1) 0.54			CR	58

**NFRC 100/200/500 Summary Sheet
Windgate/Belmont/Hawthorne 2-Lite Slider**

ID	Pane Thickness 1	Gap Width 1	Pane Thickness 2	Gap Width 2	Pane Thickness 3	Gap Width 3	Pane Thickness 4	Gap Fill	Low-e (Surface#)	Tint	Spacer	Grid Type
	U-Factor			Solar Heat Gain Coefficient (SHGC) Grids (None / <1 / >=1)				Visible Transmittance (VT) Grids (None / <1 / >=1)			Condensation Resistance	
1183	141.294 / Opt 2 (INN Refo KS/LS/S, No Foam): 80/70 / arg / clr / arg / 80/70 (SS/SS/SS) 3/4" IG											
	0.090	0.250	0.090	0.250	0.090			ARG90	0.095(#2) / 0.095(#5)	CL	P1-S	N,S
	U-Factor 0.25			SHGC (N / <1) 0.45 / 0.41				VT (N / <1) 0.56 / 0.50			CR 66	
1184	141.294 / Opt 2 (INN Refo KS/LS/S, No Foam): 80/70 / arg / clr / arg / 80/70 (SS/SS/SS) 3/4" IG											
	0.090	0.250	0.090	0.250	0.090			ARG90	0.095(#2) / 0.095(#5)	CL	P1-S	G,S
	U-Factor 0.26			SHGC (<1) 0.41				VT (<1) 0.50			CR 66	
1185	141.294 / Opt 2 (INN Refo KS/LS/S, No Foam): clr / air / clr (SS/SS) 3/4" IG											
	0.087	0.563	0.087					AIR		CL	SS-D	N,G,S
	U-Factor 0.46			SHGC (N / <1) 0.61 / 0.54				VT (N / <1) 0.63 / 0.56			CR 44	
1186	141.294 / Opt 2 (INN Refo KS/LS/S, No Foam): clr / air / clr (DS/DS) 3/4" IG											
	0.118	0.500	0.118					AIR		CL	SS-D	N,G,S
	U-Factor 0.45			SHGC (N / <1) 0.59 / 0.53				VT (N / <1) 0.62 / 0.56			CR 44	
1187	141.294 / Opt 2 (INN Refo KS/LS/S, No Foam): clr / air / clr (5mm/DS) 3/4" IG											
	0.185	0.438	0.118					AIR		CL	SS-D	N,G,S
	U-Factor 0.46			SHGC (N / <1) 0.57 / 0.51				VT (N / <1) 0.62 / 0.55			CR 44	
1188	141.294 / Opt 2 (INN Refo KS/LS/S, No Foam): clr / air / clr (5mm/DS) 3/4" IG											
	0.185	0.438	0.118					AIR		CL	SS-D	G
	U-Factor 0.46			SHGC (<1) 0.51				VT (<1) 0.55			CR 44	
1189	141.294 / Opt 2 (INN Refo KS/LS/S, No Foam): lami / air / clr (DS 090 DS/DS) 3/4" IG											
	0.264	0.345	0.118					AIR		CL	SS-D	N,S
	U-Factor 0.47			SHGC (N / <1) 0.55 / 0.49				VT (N / <1) 0.61 / 0.55			CR 42	
1190	141.294 / Opt 2 (INN Refo KS/LS/S, No Foam): clr / air / lami (DS/DS 090 DS) 3/4" IG											
	0.118	0.345	0.264					AIR		CL	SS-D	N,S
	U-Factor 0.47			SHGC (N / <1) 0.57 / 0.51				VT (N / <1) 0.61 / 0.55			CR 42	
1190	141.294 / Opt 2 (INN Refo KS/LS/S, No Foam): lami / air / clr (DS 090 DS/DS) 3/4" IG											
	0.264	0.345	0.118					AIR		CL	SS-D	G,S
	U-Factor 0.48			SHGC (<1) 0.49				VT (<1) 0.55			CR 42	
	141.294 / Opt 2 (INN Refo KS/LS/S, No Foam): clr / air / lami (DS/DS 090 DS) 3/4" IG											
	0.118	0.345	0.264					AIR		CL	SS-D	G,S
	U-Factor 0.48			SHGC (<1) 0.51				VT (<1) 0.55			CR 42	

**NFRC 100/200/500 Summary Sheet
Windgate/Belmont/Hawthorne 2-Lite Slider**

ID	Pane Thickness 1	Gap Width 1	Pane Thickness 2	Gap Width 2	Pane Thickness 3	Gap Width 3	Pane Thickness 4	Gap Fill	Low-e (Surface#)	Tint	Spacer	Grid Type
	U-Factor			Solar Heat Gain Coefficient (SHGC) Grids (None / <1 / >=1)				Visible Transmittance (VT) Grids (None / <1 / >=1)			Condensation Resistance	
1191	141.294 / Opt 2 (INN Refo KS/LS/S, No Foam): clr / air / clr / air / clr (SS/SS/SS) 3/4" IG (P1-S)											
	0.087	0.250	0.087	0.250	0.087			AIR		CL	SS-D	N,S
	U-Factor 0.38			SHGC (N / <1) 0.55 / 0.49				VT (N / <1) 0.58 / 0.52			CR 52	
1192	141.294 / Opt 2 (INN Refo KS/LS/S, No Foam): clr / air / clr / air / clr (SS/SS/SS) 3/4" IG (P1-S)											
	0.087	0.250	0.087	0.250	0.087			AIR		CL	SS-D	G,S
	U-Factor 0.39			SHGC (<1) 0.49				VT (<1) 0.52			CR 52	
1193	141.294 / Opt 2 (INN Refo KS/LS/S, No Foam): E270 / air / clr (SS/SS) 3/4" IG											
	0.087	0.563	0.087					AIR	0.037(#2)	CL	SS-D	N,G,S
	U-Factor 0.32			SHGC (N / <1) 0.29 / 0.26				VT (N / <1) 0.54 / 0.48			CR 56	
	141.294 / Opt 2 (INN Refo KS/LS/S, No Foam): clr / air / E270 (SS/SS) 3/4" IG											
	0.087	0.563	0.087					AIR	0.037(#3)	CL	SS-D	N,G,S
	U-Factor 0.32			SHGC (N / <1) 0.35 / 0.32				VT (N / <1) 0.54 / 0.48			CR 56	
1194	141.294 / Opt 2 (INN Refo KS/LS/S, No Foam): E270 / arg / clr (SS/SS) 3/4" IG											
	0.087	0.563	0.087					ARG90	0.037(#2)	CL	SS-D	N,G,S
	U-Factor 0.29			SHGC (N / <1) 0.28 / 0.26				VT (N / <1) 0.54 / 0.48			CR 59	
	141.294 / Opt 2 (INN Refo KS/LS/S, No Foam): clr / arg / E270 (SS/SS) 3/4" IG											
	0.087	0.563	0.087					ARG90	0.037(#3)	CL	SS-D	N,G,S
	U-Factor 0.29			SHGC (N / <1) 0.36 / 0.32				VT (N / <1) 0.54 / 0.48			CR 59	
1195	141.294 / Opt 2 (INN Refo KS/LS/S, No Foam): E270 / air / clr (DS/DS) 3/4" IG											
	0.118	0.500	0.118					AIR	0.037(#2)	CL	SS-D	N,G,S
	U-Factor 0.32			SHGC (N / <1) 0.29 / 0.26				VT (N / <1) 0.53 / 0.47			CR 55	
	141.294 / Opt 2 (INN Refo KS/LS/S, No Foam): clr / air / E270 (DS/DS) 3/4" IG											
	0.118	0.500	0.118					AIR	0.037(#3)	CL	SS-D	N,G,S
	U-Factor 0.32			SHGC (N / <1) 0.35 / 0.31				VT (N / <1) 0.53 / 0.47			CR 55	
1196	141.294 / Opt 2 (INN Refo KS/LS/S, No Foam): E270 / arg / clr (DS/DS) 3/4" IG											
	0.118	0.500	0.118					ARG90	0.037(#2)	CL	SS-D	N,G,S
	U-Factor 0.28			SHGC (N / <1) 0.28 / 0.25				VT (N / <1) 0.53 / 0.47			CR 58	
	141.294 / Opt 2 (INN Refo KS/LS/S, No Foam): clr / arg / E270 (DS/DS) 3/4" IG											
	0.118	0.500	0.118					ARG90	0.037(#3)	CL	SS-D	N,G,S
	U-Factor 0.28			SHGC (N / <1) 0.35 / 0.32				VT (N / <1) 0.53 / 0.47			CR 58	

NFRC 100/200/500 Summary Sheet
Windgate/Belmont/Hawthorne 2-Lite Slider

ID	Pane Thickness 1	Gap Width 1	Pane Thickness 2	Gap Width 2	Pane Thickness 3	Gap Width 3	Pane Thickness 4	Gap Fill	Low-e (Surface#)	Tint	Spacer	Grid Type
	U-Factor			Solar Heat Gain Coefficient (SHGC) Grids (None / <1 / >=1)				Visible Transmittance (VT) Grids (None / <1 / >=1)			Condensation Resistance	
1197	141.294 / Opt 2 (INN Refo KS/LS/S, No Foam): lami / arg / E270 (DS 090 DS/DS) 3/4" IG											
	0.264	0.345	0.118					ARG90	0.037(#3)	CL	SS-D	N,S
	U-Factor 0.30			SHGC (N / <1) 0.33 / 0.30				VT (N / <1) 0.52 / 0.47			CR	56
	141.294 / Opt 2 (INN Refo KS/LS/S, No Foam): E270 / arg / lami (DS/DS 090 DS) 3/4" IG											
	0.118	0.345	0.264					ARG90	0.037(#2)	CL	SS-D	N,S
	U-Factor 0.30			SHGC (N / <1) 0.28 / 0.25				VT (N / <1) 0.52 / 0.47			CR	56
1198	141.294 / Opt 2 (INN Refo KS/LS/S, No Foam): lami / arg / E270 (DS 090 DS/DS) 3/4" IG											
	0.264	0.345	0.118					ARG90	0.037(#3)	CL	SS-D	G,S
	U-Factor 0.32			SHGC (<1) 0.30				VT (<1) 0.47			CR	56
	141.294 / Opt 2 (INN Refo KS/LS/S, No Foam): E270 / arg / lami (DS/DS 090 DS) 3/4" IG											
	0.118	0.345	0.264					ARG90	0.037(#2)	CL	SS-D	G,S
	U-Factor 0.32			SHGC (<1) 0.25				VT (<1) 0.47			CR	56
1199	141.294 / Opt 2 (INN Refo KS/LS/S, No Foam): E270 / arg / clr / arg / E270 (SS/SS/SS) 3/4" IG (SS-D)											
	0.087	0.266	0.087	0.266	0.087			ARG90	0.037(#2) / 0.037(#5)	CL	SS-D	N,S
	U-Factor 0.24			SHGC (N / <1) 0.24 / 0.22				VT (N / <1) 0.42 / 0.37			CR	66
1200	141.294 / Opt 2 (INN Refo KS/LS/S, No Foam): E270 / arg / clr / arg / E270 (SS/SS/SS) 3/4" IG (SS-D)											
	0.087	0.266	0.087	0.266	0.087			ARG90	0.037(#2) / 0.037(#5)	CL	SS-D	G,S
	U-Factor 0.25			SHGC (<1) 0.22				VT (<1) 0.37			CR	65
1201	141.294 / Opt 2 (INN Refo KS/LS/S, No Foam): E366 / air / clr (SS/SS) 3/4" IG											
	0.087	0.563	0.087					AIR	0.022(#2)	CL	SS-D	N,G,S
	U-Factor 0.32			SHGC (N / <1) 0.21 / 0.19				VT (N / <1) 0.50 / 0.44			CR	56
	141.294 / Opt 2 (INN Refo KS/LS/S, No Foam): clr / air / E366 (SS/SS) 3/4" IG											
	0.087	0.563	0.087					AIR	0.022(#3)	CL	SS-D	N,G,S
	U-Factor 0.32			SHGC (N / <1) 0.30 / 0.27				VT (N / <1) 0.50 / 0.44			CR	56
1202	141.294 / Opt 2 (INN Refo KS/LS/S, No Foam): E366 / arg / clr (SS/SS) 3/4" IG											
	0.087	0.563	0.087					ARG90	0.022(#2)	CL	SS-D	N,G,S
	U-Factor 0.28			SHGC (N / <1) 0.21 / 0.19				VT (N / <1) 0.50 / 0.44			CR	59
	141.294 / Opt 2 (INN Refo KS/LS/S, No Foam): clr / arg / E366 (SS/SS) 3/4" IG											
	0.087	0.563	0.087					ARG90	0.022(#3)	CL	SS-D	N,G,S
	U-Factor 0.28			SHGC (N / <1) 0.30 / 0.27				VT (N / <1) 0.50 / 0.44			CR	59

NFRC 100/200/500 Summary Sheet
Windgate/Belmont/Hawthorne 2-Lite Slider

ID	Pane Thickness 1	Gap Width 1	Pane Thickness 2	Gap Width 2	Pane Thickness 3	Gap Width 3	Pane Thickness 4	Gap Fill	Low-e (Surface#)	Tint	Spacer	Grid Type
	U-Factor			Solar Heat Gain Coefficient (SHGC) Grids (None / <1 / >=1)				Visible Transmittance (VT) Grids (None / <1 / >=1)			Condensation Resistance	
1203	141.294 / Opt 2 (INN Refo KS/LS/S, No Foam): E366 / air / clr (DS/DS) 3/4" IG											
	0.117	0.500	0.118					AIR	0.022(#2)	CL	SS-D	N,G,S
	U-Factor 0.31			SHGC (N / <1) 0.21 / 0.19				VT (N / <1) 0.49 / 0.44			CR 55	
	141.294 / Opt 2 (INN Refo KS/LS/S, No Foam): clr / air / E366 (DS/DS) 3/4" IG											
	0.118	0.500	0.117					AIR	0.022(#3)	CL	SS-D	N,G,S
	U-Factor 0.31			SHGC (N / <1) 0.29 / 0.27				VT (N / <1) 0.49 / 0.44			CR 55	
1204	141.294 / Opt 2 (INN Refo KS/LS/S, No Foam): E366 / arg / clr (DS/DS) 3/4" IG											
	0.117	0.500	0.118					ARG90	0.022(#2)	CL	SS-D	N,G,S
	U-Factor 0.28			SHGC (N / <1) 0.21 / 0.19				VT (N / <1) 0.49 / 0.44			CR 59	
	141.294 / Opt 2 (INN Refo KS/LS/S, No Foam): clr / arg / E366 (DS/DS) 3/4" IG											
	0.118	0.500	0.117					ARG90	0.022(#3)	CL	SS-D	N,G,S
	U-Factor 0.28			SHGC (N / <1) 0.30 / 0.27				VT (N / <1) 0.49 / 0.44			CR 59	
1205	141.294 / Opt 2 (INN Refo KS/LS/S, No Foam): lami / arg / E366 (DS 090 DS/DS) 3/4" IG											
	0.264	0.345	0.117					ARG90	0.022(#3)	CL	SS-D	N,S
	U-Factor 0.30			SHGC (N / <1) 0.29 / 0.26				VT (N / <1) 0.48 / 0.43			CR 56	
	141.294 / Opt 2 (INN Refo KS/LS/S, No Foam): E366 / arg / lami (DS/DS 090 DS) 3/4" IG											
	0.117	0.345	0.264					ARG90	0.022(#2)	CL	SS-D	N,S
	U-Factor 0.30			SHGC (N / <1) 0.21 / 0.19				VT (N / <1) 0.48 / 0.43			CR 56	
1206	141.294 / Opt 2 (INN Refo KS/LS/S, No Foam): lami / arg / E366 (DS 090 DS/DS) 3/4" IG											
	0.264	0.345	0.117					ARG90	0.022(#3)	CL	SS-D	G,S
	U-Factor 0.31			SHGC (<1) 0.26				VT (<1) 0.43			CR 56	
	141.294 / Opt 2 (INN Refo KS/LS/S, No Foam): E366 / arg / lami (DS/DS 090 DS) 3/4" IG											
	0.117	0.345	0.264					ARG90	0.022(#2)	CL	SS-D	G,S
	U-Factor 0.31			SHGC (<1) 0.19				VT (<1) 0.43			CR 56	
1207	141.294 / Opt 2 (INN Refo KS/LS/S, No Foam): E366 / arg / clr / arg / E366 (SS/SS/SS) 3/4" IG (SS-D)											
	0.087	0.266	0.087	0.266	0.087			ARG90	0.022(#2) / 0.022(#5)	CL	SS-D	N,S
	U-Factor 0.24			SHGC (N / <1) 0.19 / 0.17				VT (N / <1) 0.36 / 0.32			CR 66	
1208	141.294 / Opt 2 (INN Refo KS/LS/S, No Foam): E366 / arg / clr / arg / E366 (SS/SS/SS) 3/4" IG (SS-D)											
	0.087	0.266	0.087	0.266	0.087			ARG90	0.022(#2) / 0.022(#5)	CL	SS-D	G,S
	U-Factor 0.25			SHGC (<1) 0.17				VT (<1) 0.32			CR 66	

NFRC 100/200/500 Summary Sheet
Windgate/Belmont/Hawthorne 2-Lite Slider

ID	Pane Thickness 1	Gap Width 1	Pane Thickness 2	Gap Width 2	Pane Thickness 3	Gap Width 3	Pane Thickness 4	Gap Fill	Low-e (Surface#)	Tint	Spacer	Grid Type
	U-Factor			Solar Heat Gain Coefficient (SHGC) Grids (None / <1 / >=1)				Visible Transmittance (VT) Grids (None / <1 / >=1)			Condensation Resistance	
1209	141.294 / Opt 2 (INN Refo KS/LS/S, No Foam): clr / air / clr (SS/SS) 3/4" IG											
	0.087	0.563	0.087					AIR		CL	TS-D	N,G,S
	U-Factor 0.46			SHGC (N / <1) 0.61 / 0.54				VT (N / <1) 0.63 / 0.56			CR 44	
1210	141.294 / Opt 2 (INN Refo KS/LS/S, No Foam): clr / air / clr (DS/DS) 3/4" IG											
	0.118	0.500	0.118					AIR		CL	TS-D	N,G,S
	U-Factor 0.46			SHGC (N / <1) 0.59 / 0.53				VT (N / <1) 0.62 / 0.56			CR 43	
1211	141.294 / Opt 2 (INN Refo KS/LS/S, No Foam): clr / air / clr (5mm/DS) 3/4" IG											
	0.185	0.438	0.118					AIR		CL	TS-D	N,G,S
	U-Factor 0.46			SHGC (N / <1) 0.57 / 0.51				VT (N / <1) 0.62 / 0.55			CR 43	
1212	141.294 / Opt 2 (INN Refo KS/LS/S, No Foam): clr / air / clr (5mm/DS) 3/4" IG											
	0.185	0.438	0.118					AIR		CL	TS-D	G
	U-Factor 0.47			SHGC (<1) 0.51				VT (<1) 0.55			CR 43	
1213	141.294 / Opt 2 (INN Refo KS/LS/S, No Foam): lami / air / clr (DS 090 DS/DS) 3/4" IG											
	0.264	0.345	0.118					AIR		CL	TS-D	N,S
	U-Factor 0.47			SHGC (N / <1) 0.55 / 0.49				VT (N / <1) 0.61 / 0.55			CR 42	
	141.294 / Opt 2 (INN Refo KS/LS/S, No Foam): clr / air / lami (DS/DS 090 DS) 3/4" IG											
	0.118	0.345	0.264					AIR		CL	TS-D	N,S
	U-Factor 0.47			SHGC (N / <1) 0.57 / 0.51				VT (N / <1) 0.61 / 0.55			CR 42	
1214	141.294 / Opt 2 (INN Refo KS/LS/S, No Foam): lami / air / clr (DS 090 DS/DS) 3/4" IG											
	0.264	0.345	0.118					AIR		CL	TS-D	G,S
	U-Factor 0.48			SHGC (<1) 0.49				VT (<1) 0.55			CR 42	
	141.294 / Opt 2 (INN Refo KS/LS/S, No Foam): clr / air / lami (DS/DS 090 DS) 3/4" IG											
	0.118	0.345	0.264					AIR		CL	TS-D	G,S
	U-Factor 0.48			SHGC (<1) 0.51				VT (<1) 0.55			CR 42	
1215	141.294 / Opt 2 (INN Refo KS/LS/S, No Foam): clr / air / clr / air / clr (SS/SS/SS) 3/4" IG (P1-S)											
	0.087	0.250	0.087	0.250	0.087			AIR		CL	TS-D	N,S
	U-Factor 0.38			SHGC (N / <1) 0.55 / 0.49				VT (N / <1) 0.58 / 0.52			CR 51	
1216	141.294 / Opt 2 (INN Refo KS/LS/S, No Foam): clr / air / clr / air / clr (SS/SS/SS) 3/4" IG (P1-S)											
	0.087	0.250	0.087	0.250	0.087			AIR		CL	TS-D	G,S
	U-Factor 0.39			SHGC (<1) 0.49				VT (<1) 0.52			CR 51	

**NFRC 100/200/500 Summary Sheet
Windgate/Belmont/Hawthorne 2-Lite Slider**

ID	Pane Thickness 1	Gap Width 1	Pane Thickness 2	Gap Width 2	Pane Thickness 3	Gap Width 3	Pane Thickness 4	Gap Fill	Low-e (Surface#)	Tint	Spacer	Grid Type
	U-Factor			Solar Heat Gain Coefficient (SHGC) Grids (None / <1 / >=1)				Visible Transmittance (VT) Grids (None / <1 / >=1)			Condensation Resistance	
1217	141.294 / Opt 2 (INN Refo KS/LS/S, No Foam): 70/36 / air / clr (SS/SS) 3/4" IG											
	0.090	0.563	0.090					AIR	0.036(#2)	CL	TS-D	N,G,S
	U-Factor 0.33			SHGC (N / <1) 0.30 / 0.27				VT (N / <1) 0.54 / 0.48			CR 55	
	141.294 / Opt 2 (INN Refo KS/LS/S, No Foam): clr / air / 70/36 (SS/SS) 3/4" IG											
	0.090	0.563	0.090					AIR	0.036(#3)	CL	TS-D	N,G,S
	U-Factor 0.33			SHGC (N / <1) 0.37 / 0.33				VT (N / <1) 0.54 / 0.48			CR 55	
1218	141.294 / Opt 2 (INN Refo KS/LS/S, No Foam): 70/36 / arg / clr (SS/SS) 3/4" IG											
	0.090	0.563	0.090					ARG90	0.036(#2)	CL	TS-D	N,G,S
	U-Factor 0.29			SHGC (N / <1) 0.30 / 0.27				VT (N / <1) 0.54 / 0.48			CR 58	
	141.294 / Opt 2 (INN Refo KS/LS/S, No Foam): clr / arg / 70/36 (SS/SS) 3/4" IG											
	0.090	0.563	0.090					ARG90	0.036(#3)	CL	TS-D	N,G,S
	U-Factor 0.29			SHGC (N / <1) 0.38 / 0.34				VT (N / <1) 0.54 / 0.48			CR 58	
1219	141.294 / Opt 2 (INN Refo KS/LS/S, No Foam): 70/36 / air / clr (DS/DS) 3/4" IG											
	0.117	0.500	0.117					AIR	0.036(#2)	CL	TS-D	N,G,S
	U-Factor 0.32			SHGC (N / <1) 0.30 / 0.27				VT (N / <1) 0.53 / 0.47			CR 53	
	141.294 / Opt 2 (INN Refo KS/LS/S, No Foam): clr / air / 70/36 (DS/DS) 3/4" IG											
	0.117	0.500	0.117					AIR	0.036(#3)	CL	TS-D	N,G,S
	U-Factor 0.32			SHGC (N / <1) 0.37 / 0.33				VT (N / <1) 0.53 / 0.47			CR 53	
1220	141.294 / Opt 2 (INN Refo KS/LS/S, No Foam): 70/36 / arg / clr (DS/DS) 3/4" IG											
	0.117	0.500	0.117					ARG90	0.036(#2)	CL	TS-D	N,G,S
	U-Factor 0.29			SHGC (N / <1) 0.29 / 0.27				VT (N / <1) 0.53 / 0.47			CR 56	
	141.294 / Opt 2 (INN Refo KS/LS/S, No Foam): clr / arg / 70/36 (DS/DS) 3/4" IG											
	0.117	0.500	0.117					ARG90	0.036(#3)	CL	TS-D	N,G,S
	U-Factor 0.29			SHGC (N / <1) 0.37 / 0.33				VT (N / <1) 0.53 / 0.47			CR 56	
1221	141.294 / Opt 2 (INN Refo KS/LS/S, No Foam): lami / arg / 70/36 (DS 090 DS/DS) 3/4" IG											
	0.264	0.345	0.117					ARG90	0.036(#3)	CL	TS-D	N,S
	U-Factor 0.31			SHGC (N / <1) 0.35 / 0.32				VT (N / <1) 0.52 / 0.47			CR 55	
	141.294 / Opt 2 (INN Refo KS/LS/S, No Foam): 70/36 / arg / lami (DS/DS 090 DS) 3/4" IG											
	0.117	0.345	0.264					ARG90	0.036(#2)	CL	TS-D	N,S
	U-Factor 0.31			SHGC (N / <1) 0.29 / 0.26				VT (N / <1) 0.52 / 0.47			CR 55	

NFRC 100/200/500 Summary Sheet
Windgate/Belmont/Hawthorne 2-Lite Slider

ID	Pane Thickness 1	Gap Width 1	Pane Thickness 2	Gap Width 2	Pane Thickness 3	Gap Width 3	Pane Thickness 4	Gap Fill	Low-e (Surface#)	Tint	Spacer	Grid Type
	U-Factor			Solar Heat Gain Coefficient (SHGC) Grids (None / <1 / >=1)				Visible Transmittance (VT) Grids (None / <1 / >=1)			Condensation Resistance	
1222	141.294 / Opt 2 (INN Refo KS/LS/S, No Foam): lami / arg / 70/36 (DS 090 DS/DS) 3/4" IG											
	0.264	0.345	0.117					ARG90	0.036(#3)	CL	TS-D	G,S
	U-Factor 0.32			SHGC (<1) 0.32				VT (<1) 0.47			CR 55	
	141.294 / Opt 2 (INN Refo KS/LS/S, No Foam): 70/36 / arg / lami (DS/DS 090 DS) 3/4" IG											
	0.117	0.345	0.264					ARG90	0.036(#2)	CL	TS-D	G,S
	U-Factor 0.32			SHGC (<1) 0.26				VT (<1) 0.47			CR 55	
1223	141.294 / Opt 2 (INN Refo KS/LS/S, No Foam): 70/36 / arg / clr / arg / 70/36 (SS/SS/SS) 3/4" IG											
	0.090	0.250	0.090	0.250	0.090			ARG90	0.036(#2) / 0.036(#5)	CL	TS-D	N,S
	U-Factor 0.25			SHGC (N / <1) 0.26 / 0.23				VT (N / <1) 0.42 / 0.37			CR 62	
1224	141.294 / Opt 2 (INN Refo KS/LS/S, No Foam): 70/36 / arg / clr / arg / 70/36 (SS/SS/SS) 3/4" IG											
	0.090	0.250	0.090	0.250	0.090			ARG90	0.036(#2) / 0.036(#5)	CL	TS-D	G,S
	U-Factor 0.26			SHGC (<1) 0.23				VT (<1) 0.37			CR 62	
1225	141.294 / Opt 2 (INN Refo KS/LS/S, No Foam): 80/70 / air / clr (SS/SS) 3/4" IG											
	0.090	0.563	0.090					AIR	0.095(#2)	CL	TS-D	N,G,S
	U-Factor 0.34			SHGC (N / <1) 0.51 / 0.46				VT (N / <1) 0.62 / 0.55			CR 53	
	141.294 / Opt 2 (INN Refo KS/LS/S, No Foam): clr / air / 80/70 (SS/SS) 3/4" IG											
	0.090	0.563	0.090					AIR	0.095(#3)	CL	TS-D	N,G,S
	U-Factor 0.34			SHGC (N / <1) 0.54 / 0.49				VT (N / <1) 0.62 / 0.55			CR 53	
1226	141.294 / Opt 2 (INN Refo KS/LS/S, No Foam): 80/70 / arg / clr (SS/SS) 3/4" IG											
	0.090	0.563	0.090					ARG90	0.095(#2)	CL	TS-D	N,G,S
	U-Factor 0.31			SHGC (N / <1) 0.51 / 0.46				VT (N / <1) 0.62 / 0.55			CR 56	
	141.294 / Opt 2 (INN Refo KS/LS/S, No Foam): clr / arg / 80/70 (SS/SS) 3/4" IG											
	0.090	0.563	0.090					ARG90	0.095(#3)	CL	TS-D	N,G,S
	U-Factor 0.31			SHGC (N / <1) 0.54 / 0.49				VT (N / <1) 0.62 / 0.55			CR 56	
1227	141.294 / Opt 2 (INN Refo KS/LS/S, No Foam): 80/70 / air / clr (DS/DS) 3/4" IG											
	0.117	0.500	0.117					AIR	0.095(#2)	CL	TS-D	N,G,S
	U-Factor 0.34			SHGC (N / <1) 0.51 / 0.45				VT (N / <1) 0.61 / 0.55			CR 52	
	141.294 / Opt 2 (INN Refo KS/LS/S, No Foam): clr / air / 80/70 (DS/DS) 3/4" IG											
	0.117	0.500	0.117					AIR	0.095(#3)	CL	TS-D	N,G,S
	U-Factor 0.34			SHGC (N / <1) 0.53 / 0.48				VT (N / <1) 0.61 / 0.55			CR 52	

**NFRC 100/200/500 Summary Sheet
Windgate/Belmont/Hawthorne 2-Lite Slider**

ID	Pane Thickness 1	Gap Width 1	Pane Thickness 2	Gap Width 2	Pane Thickness 3	Gap Width 3	Pane Thickness 4	Gap Fill	Low-e (Surface#)	Tint	Spacer	Grid Type
	U-Factor			Solar Heat Gain Coefficient (SHGC) Grids (None / <1 / >=1)				Visible Transmittance (VT) Grids (None / <1 / >=1)			Condensation Resistance	
1228	141.294 / Opt 2 (INN Refo KS/LS/S, No Foam): 80/70 / arg / clr (DS/DS) 3/4" IG											
	0.117	0.500	0.117					ARG90	0.095(#2)	CL	TS-D	N,G,S
	U-Factor 0.31			SHGC (N / <1) 0.51 / 0.45				VT (N / <1) 0.61 / 0.55			CR 55	
	141.294 / Opt 2 (INN Refo KS/LS/S, No Foam): clr / arg / 80/70 (DS/DS) 3/4" IG											
	0.117	0.500	0.117					ARG90	0.095(#3)	CL	TS-D	N,G,S
	U-Factor 0.31			SHGC (N / <1) 0.54 / 0.48				VT (N / <1) 0.61 / 0.55			CR 55	
1229	141.294 / Opt 2 (INN Refo KS/LS/S, No Foam): lami / arg / 80/70 (DS 090 DS/DS) 3/4" IG											
	0.264	0.345	0.117					ARG90	0.095(#3)	CL	TS-D	N,S
	U-Factor 0.32			SHGC (N / <1) 0.49 / 0.44				VT (N / <1) 0.60 / 0.54			CR 54	
	141.294 / Opt 2 (INN Refo KS/LS/S, No Foam): 80/70 / arg / lami (DS/DS 090 DS) 3/4" IG											
	0.117	0.345	0.264					ARG90	0.095(#2)	CL	TS-D	N,S
	U-Factor 0.32			SHGC (N / <1) 0.50 / 0.45				VT (N / <1) 0.60 / 0.54			CR 54	
1230	141.294 / Opt 2 (INN Refo KS/LS/S, No Foam): lami / arg / 80/70 (DS 090 DS/DS) 3/4" IG											
	0.264	0.345	0.117					ARG90	0.095(#3)	CL	TS-D	G,S
	U-Factor 0.34			SHGC (<1) 0.44				VT (<1) 0.54			CR 54	
	141.294 / Opt 2 (INN Refo KS/LS/S, No Foam): 80/70 / arg / lami (DS/DS 090 DS) 3/4" IG											
	0.117	0.345	0.264					ARG90	0.095(#2)	CL	TS-D	G,S
	U-Factor 0.34			SHGC (<1) 0.45				VT (<1) 0.54			CR 54	
1231	141.294 / Opt 2 (INN Refo KS/LS/S, No Foam): 80/70 / arg / clr / arg / 80/70 (SS/SS/SS) 3/4" IG											
	0.090	0.250	0.090	0.250	0.090			ARG90	0.095(#2) / 0.095(#5)	CL	TS-D	N,S
	U-Factor 0.26			SHGC (N / <1) 0.45 / 0.41				VT (N / <1) 0.56 / 0.50			CR 62	
1232	141.294 / Opt 2 (INN Refo KS/LS/S, No Foam): 80/70 / arg / clr / arg / 80/70 (SS/SS/SS) 3/4" IG											
	0.090	0.250	0.090	0.250	0.090			ARG90	0.095(#2) / 0.095(#5)	CL	TS-D	G,S
	U-Factor 0.27			SHGC (<1) 0.41				VT (<1) 0.50			CR 62	
1233	141.294 / Opt 3 (INN Refo KS/LS, Foam): clr / air / clr (SS/SS) 3/4" IG											
	0.087	0.563	0.087					AIR		CL	P1-S	N,G,S
	U-Factor 0.44			SHGC (N / <1) 0.61 / 0.54				VT (N / <1) 0.63 / 0.56			CR 46	
1234	141.294 / Opt 3 (INN Refo KS/LS, Foam): clr / air / clr (DS/DS) 3/4" IG											
	0.118	0.500	0.118					AIR		CL	P1-S	N,G,S
	U-Factor 0.44			SHGC (N / <1) 0.59 / 0.53				VT (N / <1) 0.62 / 0.56			CR 45	

NFRC 100/200/500 Summary Sheet
Windgate/Belmont/Hawthorne 2-Lite Slider

ID	Pane Thickness 1	Gap Width 1	Pane Thickness 2	Gap Width 2	Pane Thickness 3	Gap Width 3	Pane Thickness 4	Gap Fill	Low-e (Surface#)	Tint	Spacer	Grid Type
	U-Factor			Solar Heat Gain Coefficient (SHGC) Grids (None / <1 / >=1)					Visible Transmittance (VT) Grids (None / <1 / >=1)		Condensation Resistance	
1235	141.294 / Opt 3 (INN Refo KS/LS, Foam): clr / air / clr (5mm/DS) 3/4" IG											
	0.185	0.438	0.118					AIR		CL	P1-S	N,G,S
	U-Factor 0.44			SHGC (N / <1) 0.57 / 0.51					VT (N / <1) 0.62 / 0.55		CR 44	
1236	141.294 / Opt 3 (INN Refo KS/LS, Foam): clr / air / clr (5mm/DS) 3/4" IG											
	0.185	0.438	0.118					AIR		CL	P1-S	G
	U-Factor 0.44			SHGC (<1) 0.51					VT (<1) 0.55		CR 44	
1237	141.294 / Opt 3 (INN Refo KS/LS, Foam): lami / air / clr (DS 090 DS/DS) 3/4" IG											
	0.264	0.345	0.118					AIR		CL	P1-S	N,S
	U-Factor 0.47			SHGC (N / <1) 0.55 / 0.49					VT (N / <1) 0.61 / 0.55		CR 44	
	141.294 / Opt 3 (INN Refo KS/LS, Foam): clr / air / lami (DS/DS 090 DS) 3/4" IG											
	0.118	0.345	0.264					AIR		CL	P1-S	N,S
	U-Factor 0.47			SHGC (N / <1) 0.57 / 0.51					VT (N / <1) 0.61 / 0.55		CR 44	
1238	141.294 / Opt 3 (INN Refo KS/LS, Foam): lami / air / clr (DS 090 DS/DS) 3/4" IG											
	0.264	0.345	0.118					AIR		CL	P1-S	G,S
	U-Factor 0.48			SHGC (<1) 0.49					VT (<1) 0.55		CR 44	
	141.294 / Opt 3 (INN Refo KS/LS, Foam): clr / air / lami (DS/DS 090 DS) 3/4" IG											
	0.118	0.345	0.264					AIR		CL	P1-S	G,S
	U-Factor 0.48			SHGC (<1) 0.51					VT (<1) 0.55		CR 44	
1239	141.294 / Opt 3 (INN Refo KS/LS, Foam): clr / air / clr / air / clr (SS/SS/SS) 3/4" IG (P1-S)											
	0.087	0.250	0.087	0.250	0.087			AIR		CL	P1-S	N,S
	U-Factor 0.37			SHGC (N / <1) 0.55 / 0.49					VT (N / <1) 0.58 / 0.52		CR 54	
1240	141.294 / Opt 3 (INN Refo KS/LS, Foam): clr / air / clr / air / clr (SS/SS/SS) 3/4" IG (P1-S)											
	0.087	0.250	0.087	0.250	0.087			AIR		CL	P1-S	G,S
	U-Factor 0.38			SHGC (<1) 0.49					VT (<1) 0.52		CR 54	
1241	141.294 / Opt 3 (INN Refo KS/LS, Foam): E270 / air / clr (SS/SS) 3/4" IG											
	0.087	0.563	0.087					AIR	0.037(#2)	CL	P1-S	N,G,S
	U-Factor 0.30			SHGC (N / <1) 0.29 / 0.26					VT (N / <1) 0.54 / 0.48		CR 59	
	141.294 / Opt 3 (INN Refo KS/LS, Foam): clr / air / E270 (SS/SS) 3/4" IG											
	0.087	0.563	0.087					AIR	0.037(#3)	CL	P1-S	N,G,S
	U-Factor 0.30			SHGC (N / <1) 0.35 / 0.32					VT (N / <1) 0.54 / 0.48		CR 59	

NFRC 100/200/500 Summary Sheet
Windgate/Belmont/Hawthorne 2-Lite Slider

ID	Pane Thickness 1	Gap Width 1	Pane Thickness 2	Gap Width 2	Pane Thickness 3	Gap Width 3	Pane Thickness 4	Gap Fill	Low-e (Surface#)	Tint	Spacer	Grid Type
	U-Factor			Solar Heat Gain Coefficient (SHGC) Grids (None / <1 / >=1)				Visible Transmittance (VT) Grids (None / <1 / >=1)			Condensation Resistance	
1242	141.294 / Opt 3 (INN Refo KS/LS, Foam): E270 / arg / clr (SS/SS) 3/4" IG											
	0.087	0.563	0.087					ARG90	0.037(#2)	CL	P1-S	N,G,S
	U-Factor 0.27			SHGC (N / <1) 0.28 / 0.26				VT (N / <1) 0.54 / 0.48			CR	61
	141.294 / Opt 3 (INN Refo KS/LS, Foam): clr / arg / E270 (SS/SS) 3/4" IG											
	0.087	0.563	0.087					ARG90	0.037(#3)	CL	P1-S	N,G,S
	U-Factor 0.27			SHGC (N / <1) 0.36 / 0.32				VT (N / <1) 0.54 / 0.48			CR	61
1243	141.294 / Opt 3 (INN Refo KS/LS, Foam): E270 / air / clr (DS/DS) 3/4" IG											
	0.118	0.500	0.118					AIR	0.037(#2)	CL	P1-S	N,G,S
	U-Factor 0.29			SHGC (N / <1) 0.29 / 0.26				VT (N / <1) 0.53 / 0.47			CR	59
	141.294 / Opt 3 (INN Refo KS/LS, Foam): clr / air / E270 (DS/DS) 3/4" IG											
	0.118	0.500	0.118					AIR	0.037(#3)	CL	P1-S	N,G,S
	U-Factor 0.29			SHGC (N / <1) 0.35 / 0.31				VT (N / <1) 0.53 / 0.47			CR	59
1244	141.294 / Opt 3 (INN Refo KS/LS, Foam): E270 / arg / clr (DS/DS) 3/4" IG											
	0.118	0.500	0.118					ARG90	0.037(#2)	CL	P1-S	N,G,S
	U-Factor 0.26			SHGC (N / <1) 0.28 / 0.25				VT (N / <1) 0.53 / 0.47			CR	61
	141.294 / Opt 3 (INN Refo KS/LS, Foam): clr / arg / E270 (DS/DS) 3/4" IG											
	0.118	0.500	0.118					ARG90	0.037(#3)	CL	P1-S	N,G,S
	U-Factor 0.26			SHGC (N / <1) 0.35 / 0.32				VT (N / <1) 0.53 / 0.47			CR	61
1245	141.294 / Opt 3 (INN Refo KS/LS, Foam): lami / arg / E270 (DS 090 DS/DS) 3/4" IG											
	0.264	0.345	0.118					ARG90	0.037(#3)	CL	P1-S	N,S
	U-Factor 0.29			SHGC (N / <1) 0.33 / 0.30				VT (N / <1) 0.52 / 0.47			CR	60
	141.294 / Opt 3 (INN Refo KS/LS, Foam): E270 / arg / lami (DS/DS 090 DS) 3/4" IG											
	0.118	0.345	0.264					ARG90	0.037(#2)	CL	P1-S	N,S
	U-Factor 0.29			SHGC (N / <1) 0.28 / 0.25				VT (N / <1) 0.52 / 0.47			CR	60
1246	141.294 / Opt 3 (INN Refo KS/LS, Foam): lami / arg / E270 (DS 090 DS/DS) 3/4" IG											
	0.264	0.345	0.118					ARG90	0.037(#3)	CL	P1-S	G,S
	U-Factor 0.31			SHGC (<1) 0.30				VT (<1) 0.47			CR	60
	141.294 / Opt 3 (INN Refo KS/LS, Foam): E270 / arg / lami (DS/DS 090 DS) 3/4" IG											
	0.118	0.345	0.264					ARG90	0.037(#2)	CL	P1-S	G,S
	U-Factor 0.31			SHGC (<1) 0.25				VT (<1) 0.47			CR	60

**NFRC 100/200/500 Summary Sheet
Windgate/Belmont/Hawthorne 2-Lite Slider**

ID	Pane Thickness 1	Gap Width 1	Pane Thickness 2	Gap Width 2	Pane Thickness 3	Gap Width 3	Pane Thickness 4	Gap Fill	Low-e (Surface#)	Tint	Spacer	Grid Type
	U-Factor			Solar Heat Gain Coefficient (SHGC) Grids (None / <1 / >=1)				Visible Transmittance (VT) Grids (None / <1 / >=1)			Condensation Resistance	
1247	141.294 / Opt 3 (INN Refo KS/LS, Foam): E270 / arg / clr / arg / E270 (SS/SS/SS) 3/4" IG (P1-S)											
	0.087	0.250	0.087	0.250	0.087			ARG90	0.037(#2) / 0.037(#5)	CL	P1-S	N,S
	U-Factor 0.23			SHGC (N / <1) 0.24 / 0.22				VT (N / <1) 0.42 / 0.37			CR	68
1248	141.294 / Opt 3 (INN Refo KS/LS, Foam): E270 / arg / clr / arg / E270 (SS/SS/SS) 3/4" IG (P1-S)											
	0.087	0.250	0.087	0.250	0.087			ARG90	0.037(#2) / 0.037(#5)	CL	P1-S	G,S
	U-Factor 0.24			SHGC (<1) 0.22				VT (<1) 0.37			CR	68
1249	141.294 / Opt 3 (INN Refo KS/LS, Foam): E366 / air / clr (SS/SS) 3/4" IG											
	0.087	0.563	0.087					AIR	0.022(#2)	CL	P1-S	N,G,S
	U-Factor 0.29			SHGC (N / <1) 0.21 / 0.19				VT (N / <1) 0.50 / 0.44			CR	60
	141.294 / Opt 3 (INN Refo KS/LS, Foam): clr / air / E366 (SS/SS) 3/4" IG											
	0.087	0.563	0.087					AIR	0.022(#3)	CL	P1-S	N,G,S
	U-Factor 0.29			SHGC (N / <1) 0.30 / 0.27				VT (N / <1) 0.50 / 0.44			CR	60
1250	141.294 / Opt 3 (INN Refo KS/LS, Foam): E366 / arg / clr (SS/SS) 3/4" IG											
	0.087	0.563	0.087					ARG90	0.022(#2)	CL	P1-S	N,G,S
	U-Factor 0.26			SHGC (N / <1) 0.21 / 0.19				VT (N / <1) 0.50 / 0.44			CR	62
	141.294 / Opt 3 (INN Refo KS/LS, Foam): clr / arg / E366 (SS/SS) 3/4" IG											
	0.087	0.563	0.087					ARG90	0.022(#3)	CL	P1-S	N,G,S
	U-Factor 0.26			SHGC (N / <1) 0.30 / 0.27				VT (N / <1) 0.50 / 0.44			CR	62
1251	141.294 / Opt 3 (INN Refo KS/LS, Foam): E366 / air / clr (DS/DS) 3/4" IG											
	0.117	0.500	0.118					AIR	0.022(#2)	CL	P1-S	N,G,S
	U-Factor 0.29			SHGC (N / <1) 0.21 / 0.19				VT (N / <1) 0.49 / 0.44			CR	59
	141.294 / Opt 3 (INN Refo KS/LS, Foam): clr / air / E366 (DS/DS) 3/4" IG											
	0.118	0.500	0.117					AIR	0.022(#3)	CL	P1-S	N,G,S
	U-Factor 0.29			SHGC (N / <1) 0.29 / 0.27				VT (N / <1) 0.49 / 0.44			CR	59
1252	141.294 / Opt 3 (INN Refo KS/LS, Foam): E366 / arg / clr (DS/DS) 3/4" IG											
	0.117	0.500	0.118					ARG90	0.022(#2)	CL	P1-S	N,G,S
	U-Factor 0.26			SHGC (N / <1) 0.21 / 0.19				VT (N / <1) 0.49 / 0.44			CR	61
	141.294 / Opt 3 (INN Refo KS/LS, Foam): clr / arg / E366 (DS/DS) 3/4" IG											
	0.118	0.500	0.117					ARG90	0.022(#3)	CL	P1-S	N,G,S
	U-Factor 0.26			SHGC (N / <1) 0.30 / 0.27				VT (N / <1) 0.49 / 0.44			CR	61

**NFRC 100/200/500 Summary Sheet
Windgate/Belmont/Hawthorne 2-Lite Slider**

ID	Pane Thickness 1	Gap Width 1	Pane Thickness 2	Gap Width 2	Pane Thickness 3	Gap Width 3	Pane Thickness 4	Gap Fill	Low-e (Surface#)	Tint	Spacer	Grid Type
	U-Factor			Solar Heat Gain Coefficient (SHGC) Grids (None / <1 / >=1)				Visible Transmittance (VT) Grids (None / <1 / >=1)			Condensation Resistance	
1253	141.294 / Opt 3 (INN Refo KS/LS, Foam): lami / arg / E366 (DS 090 DS/DS) 3/4" IG											
	0.264	0.345	0.117					ARG90	0.022(#3)	CL	P1-S	N,S
	U-Factor 0.29			SHGC (N / <1) 0.29 / 0.26				VT (N / <1) 0.48 / 0.43			CR 60	
	141.294 / Opt 3 (INN Refo KS/LS, Foam): E366 / arg / lami (DS/DS 090 DS) 3/4" IG											
	0.117	0.345	0.264					ARG90	0.022(#2)	CL	P1-S	N,S
	U-Factor 0.29			SHGC (N / <1) 0.21 / 0.19				VT (N / <1) 0.48 / 0.43			CR 60	
1254	141.294 / Opt 3 (INN Refo KS/LS, Foam): lami / arg / E366 (DS 090 DS/DS) 3/4" IG											
	0.264	0.345	0.117					ARG90	0.022(#3)	CL	P1-S	G,S
	U-Factor 0.30			SHGC (<1) 0.26				VT (<1) 0.43			CR 60	
	141.294 / Opt 3 (INN Refo KS/LS, Foam): E366 / arg / lami (DS/DS 090 DS) 3/4" IG											
	0.117	0.345	0.264					ARG90	0.022(#2)	CL	P1-S	G,S
	U-Factor 0.30			SHGC (<1) 0.19				VT (<1) 0.43			CR 60	
1255	141.294 / Opt 3 (INN Refo KS/LS, Foam): E366 / arg / clr / arg / E366 (SS/SS/SS) 3/4" IG (P1-S)											
	0.087	0.250	0.087	0.250	0.087			ARG90	0.022(#2) / 0.022(#5)	CL	P1-S	N,S
	U-Factor 0.23			SHGC (N / <1) 0.19 / 0.17				VT (N / <1) 0.36 / 0.32			CR 68	
1256	141.294 / Opt 3 (INN Refo KS/LS, Foam): E366 / arg / clr / arg / E366 (SS/SS/SS) 3/4" IG (P1-S)											
	0.087	0.250	0.087	0.250	0.087			ARG90	0.022(#2) / 0.022(#5)	CL	P1-S	G,S
	U-Factor 0.24			SHGC (<1) 0.17				VT (<1) 0.32			CR 68	
1257	141.294 / Opt 3 (INN Refo KS/LS, Foam): 70/36 / air / clr (SS/SS) 3/4" IG											
	0.090	0.563	0.090					AIR	0.036(#2)	CL	P1-S	N,G,S
	U-Factor 0.30			SHGC (N / <1) 0.30 / 0.27				VT (N / <1) 0.54 / 0.48			CR 60	
	141.294 / Opt 3 (INN Refo KS/LS, Foam): clr / air / 70/36 (SS/SS) 3/4" IG											
	0.090	0.563	0.090					AIR	0.036(#3)	CL	P1-S	N,G,S
	U-Factor 0.30			SHGC (N / <1) 0.37 / 0.33				VT (N / <1) 0.54 / 0.48			CR 60	
1258	141.294 / Opt 3 (INN Refo KS/LS, Foam): 70/36 / arg / clr (SS/SS) 3/4" IG											
	0.090	0.563	0.090					ARG90	0.036(#2)	CL	P1-S	N,G,S
	U-Factor 0.27			SHGC (N / <1) 0.30 / 0.27				VT (N / <1) 0.54 / 0.48			CR 61	
	141.294 / Opt 3 (INN Refo KS/LS, Foam): clr / arg / 70/36 (SS/SS) 3/4" IG											
	0.090	0.563	0.090					ARG90	0.036(#3)	CL	P1-S	N,G,S
	U-Factor 0.27			SHGC (N / <1) 0.38 / 0.34				VT (N / <1) 0.54 / 0.48			CR 61	

NFRC 100/200/500 Summary Sheet
Windgate/Belmont/Hawthorne 2-Lite Slider

ID	Pane Thickness 1	Gap Width 1	Pane Thickness 2	Gap Width 2	Pane Thickness 3	Gap Width 3	Pane Thickness 4	Gap Fill	Low-e (Surface#)	Tint	Spacer	Grid Type
	U-Factor			Solar Heat Gain Coefficient (SHGC) Grids (None / <1 / >=1)				Visible Transmittance (VT) Grids (None / <1 / >=1)			Condensation Resistance	
1259	141.294 / Opt 3 (INN Refo KS/LS, Foam): 70/36 / air / clr (DS/DS) 3/4" IG											
	0.117	0.500	0.117					AIR	0.036(#2)	CL	P1-S	N,G,S
	U-Factor 0.29			SHGC (N / <1) 0.30 / 0.27				VT (N / <1) 0.53 / 0.47			CR	59
	141.294 / Opt 3 (INN Refo KS/LS, Foam): clr / air / 70/36 (DS/DS) 3/4" IG											
	0.117	0.500	0.117					AIR	0.036(#3)	CL	P1-S	N,G,S
	U-Factor 0.29			SHGC (N / <1) 0.37 / 0.33				VT (N / <1) 0.53 / 0.47			CR	59
1260	141.294 / Opt 3 (INN Refo KS/LS, Foam): 70/36 / arg / clr (DS/DS) 3/4" IG											
	0.117	0.500	0.117					ARG90	0.036(#2)	CL	P1-S	N,G,S
	U-Factor 0.26			SHGC (N / <1) 0.29 / 0.27				VT (N / <1) 0.53 / 0.47			CR	61
	141.294 / Opt 3 (INN Refo KS/LS, Foam): clr / arg / 70/36 (DS/DS) 3/4" IG											
	0.117	0.500	0.117					ARG90	0.036(#3)	CL	P1-S	N,G,S
	U-Factor 0.26			SHGC (N / <1) 0.37 / 0.33				VT (N / <1) 0.53 / 0.47			CR	61
1261	141.294 / Opt 3 (INN Refo KS/LS, Foam): lami / arg / 70/36 (DS 090 DS/DS) 3/4" IG											
	0.264	0.345	0.117					ARG90	0.036(#3)	CL	P1-S	N,S
	U-Factor 0.29			SHGC (N / <1) 0.35 / 0.32				VT (N / <1) 0.52 / 0.47			CR	60
	141.294 / Opt 3 (INN Refo KS/LS, Foam): 70/36 / arg / lami (DS/DS 090 DS) 3/4" IG											
	0.117	0.345	0.264					ARG90	0.036(#2)	CL	P1-S	N,S
	U-Factor 0.29			SHGC (N / <1) 0.29 / 0.26				VT (N / <1) 0.52 / 0.47			CR	60
1262	141.294 / Opt 3 (INN Refo KS/LS, Foam): lami / arg / 70/36 (DS 090 DS/DS) 3/4" IG											
	0.264	0.345	0.117					ARG90	0.036(#3)	CL	P1-S	G,S
	U-Factor 0.30			SHGC (<1) 0.32				VT (<1) 0.47			CR	60
	141.294 / Opt 3 (INN Refo KS/LS, Foam): 70/36 / arg / lami (DS/DS 090 DS) 3/4" IG											
	0.117	0.345	0.264					ARG90	0.036(#2)	CL	P1-S	G,S
	U-Factor 0.30			SHGC (<1) 0.26				VT (<1) 0.47			CR	60
1263	141.294 / Opt 3 (INN Refo KS/LS, Foam): 70/36 / arg / clr / arg / 70/36 (SS/SS/SS) 3/4" IG											
	0.090	0.250	0.090	0.250	0.090			ARG90	0.036(#2) / 0.036(#5)	CL	P1-S	N,S
	U-Factor 0.23			SHGC (N / <1) 0.26 / 0.23				VT (N / <1) 0.42 / 0.37			CR	68
1264	141.294 / Opt 3 (INN Refo KS/LS, Foam): 70/36 / arg / clr / arg / 70/36 (SS/SS/SS) 3/4" IG											
	0.090	0.250	0.090	0.250	0.090			ARG90	0.036(#2) / 0.036(#5)	CL	P1-S	G,S
	U-Factor 0.24			SHGC (<1) 0.23				VT (<1) 0.37			CR	68

**NFRC 100/200/500 Summary Sheet
Windgate/Belmont/Hawthorne 2-Lite Slider**

ID	Pane Thickness 1	Gap Width 1	Pane Thickness 2	Gap Width 2	Pane Thickness 3	Gap Width 3	Pane Thickness 4	Gap Fill	Low-e (Surface#)	Tint	Spacer	Grid Type
	U-Factor			Solar Heat Gain Coefficient (SHGC) Grids (None / <1 / >=1)				Visible Transmittance (VT) Grids (None / <1 / >=1)			Condensation Resistance	
1265	141.294 / Opt 3 (INN Refo KS/LS, Foam): 80/70 / air / clr (SS/SS) 3/4" IG											
	0.090	0.563	0.090					AIR	0.095(#2)	CL	P1-S	N,G,S
	U-Factor 0.31			SHGC (N / <1) 0.51 / 0.46				VT (N / <1) 0.62 / 0.55			CR	58
	141.294 / Opt 3 (INN Refo KS/LS, Foam): clr / air / 80/70 (SS/SS) 3/4" IG											
	0.090	0.563	0.090					AIR	0.095(#3)	CL	P1-S	N,G,S
	U-Factor 0.31			SHGC (N / <1) 0.54 / 0.49				VT (N / <1) 0.62 / 0.55			CR	58
1266	141.294 / Opt 3 (INN Refo KS/LS, Foam): 80/70 / arg / clr (SS/SS) 3/4" IG											
	0.090	0.563	0.090					ARG90	0.095(#2)	CL	P1-S	N,G,S
	U-Factor 0.28			SHGC (N / <1) 0.51 / 0.46				VT (N / <1) 0.62 / 0.55			CR	60
	141.294 / Opt 3 (INN Refo KS/LS, Foam): clr / arg / 80/70 (SS/SS) 3/4" IG											
	0.090	0.563	0.090					ARG90	0.095(#3)	CL	P1-S	N,G,S
	U-Factor 0.28			SHGC (N / <1) 0.54 / 0.49				VT (N / <1) 0.62 / 0.55			CR	60
1267	141.294 / Opt 3 (INN Refo KS/LS, Foam): 80/70 / air / clr (DS/DS) 3/4" IG											
	0.117	0.500	0.117					AIR	0.095(#2)	CL	P1-S	N,G,S
	U-Factor 0.31			SHGC (N / <1) 0.51 / 0.45				VT (N / <1) 0.61 / 0.55			CR	57
	141.294 / Opt 3 (INN Refo KS/LS, Foam): clr / air / 80/70 (DS/DS) 3/4" IG											
	0.117	0.500	0.117					AIR	0.095(#3)	CL	P1-S	N,G,S
	U-Factor 0.31			SHGC (N / <1) 0.53 / 0.48				VT (N / <1) 0.61 / 0.55			CR	57
1268	141.294 / Opt 3 (INN Refo KS/LS, Foam): 80/70 / arg / clr (DS/DS) 3/4" IG											
	0.117	0.500	0.117					ARG90	0.095(#2)	CL	P1-S	N,G,S
	U-Factor 0.28			SHGC (N / <1) 0.51 / 0.45				VT (N / <1) 0.61 / 0.55			CR	59
	141.294 / Opt 3 (INN Refo KS/LS, Foam): clr / arg / 80/70 (DS/DS) 3/4" IG											
	0.117	0.500	0.117					ARG90	0.095(#3)	CL	P1-S	N,G,S
	U-Factor 0.28			SHGC (N / <1) 0.54 / 0.48				VT (N / <1) 0.61 / 0.55			CR	59
1269	141.294 / Opt 3 (INN Refo KS/LS, Foam): lami / arg / 80/70 (DS 090 DS/DS) 3/4" IG											
	0.264	0.345	0.117					ARG90	0.095(#3)	CL	P1-S	N,S
	U-Factor 0.31			SHGC (N / <1) 0.49 / 0.44				VT (N / <1) 0.60 / 0.54			CR	59
	141.294 / Opt 3 (INN Refo KS/LS, Foam): 80/70 / arg / lami (DS/DS 090 DS) 3/4" IG											
	0.117	0.345	0.264					ARG90	0.095(#2)	CL	P1-S	N,S
	U-Factor 0.31			SHGC (N / <1) 0.50 / 0.45				VT (N / <1) 0.60 / 0.54			CR	59

NFRC 100/200/500 Summary Sheet
Windgate/Belmont/Hawthorne 2-Lite Slider

ID	Pane Thickness 1	Gap Width 1	Pane Thickness 2	Gap Width 2	Pane Thickness 3	Gap Width 3	Pane Thickness 4	Gap Fill	Low-e (Surface#)	Tint	Spacer	Grid Type
	U-Factor			Solar Heat Gain Coefficient (SHGC) Grids (None / <1 / >=1)				Visible Transmittance (VT) Grids (None / <1 / >=1)			Condensation Resistance	
1270	141.294 / Opt 3 (INN Refo KS/LS, Foam): lami / arg / 80/70 (DS 090 DS/DS) 3/4" IG											
	0.264	0.345	0.117					ARG90	0.095(#3)	CL	P1-S	G,S
	U-Factor 0.32			SHGC (<1) 0.44				VT (<1) 0.54			CR 59	
	141.294 / Opt 3 (INN Refo KS/LS, Foam): 80/70 / arg / lami (DS/DS 090 DS) 3/4" IG											
	0.117	0.345	0.264					ARG90	0.095(#2)	CL	P1-S	G,S
	U-Factor 0.32			SHGC (<1) 0.45				VT (<1) 0.54			CR 59	
1271	141.294 / Opt 3 (INN Refo KS/LS, Foam): 80/70 / arg / clr / arg / 80/70 (SS/SS/SS) 3/4" IG											
	0.090	0.250	0.090	0.250	0.090			ARG90	0.095(#2) / 0.095(#5)	CL	P1-S	N,S
	U-Factor 0.24			SHGC (N / <1) 0.45 / 0.41				VT (N / <1) 0.56 / 0.50			CR 67	
1272	141.294 / Opt 3 (INN Refo KS/LS, Foam): 80/70 / arg / clr / arg / 80/70 (SS/SS/SS) 3/4" IG											
	0.090	0.250	0.090	0.250	0.090			ARG90	0.095(#2) / 0.095(#5)	CL	P1-S	G,S
	U-Factor 0.25			SHGC (<1) 0.41				VT (<1) 0.50			CR 67	
1273	141.294 / Opt 3 (INN Refo KS/LS, Foam): clr / air / clr (SS/SS) 3/4" IG											
	0.087	0.563	0.087					AIR		CL	SS-D	N,G,S
	U-Factor 0.44			SHGC (N / <1) 0.61 / 0.54				VT (N / <1) 0.63 / 0.56			CR 44	
1274	141.294 / Opt 3 (INN Refo KS/LS, Foam): clr / air / clr (DS/DS) 3/4" IG											
	0.118	0.500	0.118					AIR		CL	SS-D	N,G,S
	U-Factor 0.44			SHGC (N / <1) 0.59 / 0.53				VT (N / <1) 0.62 / 0.56			CR 43	
1275	141.294 / Opt 3 (INN Refo KS/LS, Foam): clr / air / clr (5mm/DS) 3/4" IG											
	0.185	0.438	0.118					AIR		CL	SS-D	N,G,S
	U-Factor 0.45			SHGC (N / <1) 0.57 / 0.51				VT (N / <1) 0.62 / 0.55			CR 44	
1276	141.294 / Opt 3 (INN Refo KS/LS, Foam): clr / air / clr (5mm/DS) 3/4" IG											
	0.185	0.438	0.118					AIR		CL	SS-D	G
	U-Factor 0.45			SHGC (<1) 0.51				VT (<1) 0.55			CR 44	
1277	141.294 / Opt 3 (INN Refo KS/LS, Foam): lami / air / clr (DS 090 DS/DS) 3/4" IG											
	0.264	0.345	0.118					AIR		CL	SS-D	N,S
	U-Factor 0.46			SHGC (N / <1) 0.55 / 0.49				VT (N / <1) 0.61 / 0.55			CR 43	
	141.294 / Opt 3 (INN Refo KS/LS, Foam): clr / air / lami (DS/DS 090 DS) 3/4" IG											
	0.118	0.345	0.264					AIR		CL	SS-D	N,S
	U-Factor 0.46			SHGC (N / <1) 0.57 / 0.51				VT (N / <1) 0.61 / 0.55			CR 43	

**NFRC 100/200/500 Summary Sheet
Windgate/Belmont/Hawthorne 2-Lite Slider**

ID	Pane Thickness 1	Gap Width 1	Pane Thickness 2	Gap Width 2	Pane Thickness 3	Gap Width 3	Pane Thickness 4	Gap Fill	Low-e (Surface#)	Tint	Spacer	Grid Type
	U-Factor			Solar Heat Gain Coefficient (SHGC) Grids (None / <1 / >=1)				Visible Transmittance (VT) Grids (None / <1 / >=1)			Condensation Resistance	
1278	141.294 / Opt 3 (INN Refo KS/LS, Foam): lami / air / clr (DS 090 DS/DS) 3/4" IG											
	0.264	0.345	0.118					AIR		CL	SS-D	G,S
	U-Factor 0.46			SHGC (<1) 0.49				VT (<1) 0.55			CR 43	
	141.294 / Opt 3 (INN Refo KS/LS, Foam): clr / air / lami (DS/DS 090 DS) 3/4" IG											
	0.118	0.345	0.264					AIR		CL	SS-D	G,S
	U-Factor 0.46			SHGC (<1) 0.51				VT (<1) 0.55			CR 43	
1279	141.294 / Opt 3 (INN Refo KS/LS, Foam): clr / air / clr / air / clr (SS/SS/SS) 3/4" IG (P1-S)											
	0.087	0.250	0.087	0.250	0.087			AIR		CL	SS-D	N,S
	U-Factor 0.37			SHGC (N / <1) 0.55 / 0.49				VT (N / <1) 0.58 / 0.52			CR 49	
1280	141.294 / Opt 3 (INN Refo KS/LS, Foam): clr / air / clr / air / clr (SS/SS/SS) 3/4" IG (P1-S)											
	0.087	0.250	0.087	0.250	0.087			AIR		CL	SS-D	G,S
	U-Factor 0.38			SHGC (<1) 0.49				VT (<1) 0.52			CR 49	
1281	141.294 / Opt 3 (INN Refo KS/LS, Foam): E270 / air / clr (SS/SS) 3/4" IG											
	0.087	0.563	0.087					AIR	0.037(#2)	CL	SS-D	N,G,S
	U-Factor 0.31			SHGC (N / <1) 0.29 / 0.26				VT (N / <1) 0.54 / 0.48			CR 54	
	141.294 / Opt 3 (INN Refo KS/LS, Foam): clr / air / E270 (SS/SS) 3/4" IG											
	0.087	0.563	0.087					AIR	0.037(#3)	CL	SS-D	N,G,S
	U-Factor 0.31			SHGC (N / <1) 0.35 / 0.32				VT (N / <1) 0.54 / 0.48			CR 54	
1282	141.294 / Opt 3 (INN Refo KS/LS, Foam): E270 / arg / clr (SS/SS) 3/4" IG											
	0.087	0.563	0.087					ARG90	0.037(#2)	CL	SS-D	N,G,S
	U-Factor 0.28			SHGC (N / <1) 0.28 / 0.26				VT (N / <1) 0.54 / 0.48			CR 58	
	141.294 / Opt 3 (INN Refo KS/LS, Foam): clr / arg / E270 (SS/SS) 3/4" IG											
	0.087	0.563	0.087					ARG90	0.037(#3)	CL	SS-D	N,G,S
	U-Factor 0.28			SHGC (N / <1) 0.36 / 0.32				VT (N / <1) 0.54 / 0.48			CR 58	
1283	141.294 / Opt 3 (INN Refo KS/LS, Foam): E270 / air / clr (DS/DS) 3/4" IG											
	0.118	0.500	0.118					AIR	0.037(#2)	CL	SS-D	N,G,S
	U-Factor 0.30			SHGC (N / <1) 0.29 / 0.26				VT (N / <1) 0.53 / 0.47			CR 56	
	141.294 / Opt 3 (INN Refo KS/LS, Foam): clr / air / E270 (DS/DS) 3/4" IG											
	0.118	0.500	0.118					AIR	0.037(#3)	CL	SS-D	N,G,S
	U-Factor 0.30			SHGC (N / <1) 0.35 / 0.31				VT (N / <1) 0.53 / 0.47			CR 56	

**NFRC 100/200/500 Summary Sheet
Windgate/Belmont/Hawthorne 2-Lite Slider**

ID	Pane Thickness 1	Gap Width 1	Pane Thickness 2	Gap Width 2	Pane Thickness 3	Gap Width 3	Pane Thickness 4	Gap Fill	Low-e (Surface#)	Tint	Spacer	Grid Type
	U-Factor			Solar Heat Gain Coefficient (SHGC) Grids (None / <1 / >=1)				Visible Transmittance (VT) Grids (None / <1 / >=1)			Condensation Resistance	
1284	141.294 / Opt 3 (INN Refo KS/LS, Foam): E270 / arg / clr (DS/DS) 3/4" IG											
	0.118	0.500	0.118					ARG90	0.037(#2)	CL	SS-D	N,G,S
	U-Factor 0.27			SHGC (N / <1) 0.28 / 0.25				VT (N / <1) 0.53 / 0.47			CR 57	
	141.294 / Opt 3 (INN Refo KS/LS, Foam): clr / arg / E270 (DS/DS) 3/4" IG											
	0.118	0.500	0.118					ARG90	0.037(#3)	CL	SS-D	N,G,S
	U-Factor 0.27			SHGC (N / <1) 0.35 / 0.32				VT (N / <1) 0.53 / 0.47			CR 57	
1285	141.294 / Opt 3 (INN Refo KS/LS, Foam): lami / arg / E270 (DS 090 DS/DS) 3/4" IG											
	0.264	0.345	0.118					ARG90	0.037(#3)	CL	SS-D	N,S
	U-Factor 0.29			SHGC (N / <1) 0.33 / 0.30				VT (N / <1) 0.52 / 0.47			CR 57	
	141.294 / Opt 3 (INN Refo KS/LS, Foam): E270 / arg / lami (DS/DS 090 DS) 3/4" IG											
	0.118	0.345	0.264					ARG90	0.037(#2)	CL	SS-D	N,S
	U-Factor 0.29			SHGC (N / <1) 0.28 / 0.25				VT (N / <1) 0.52 / 0.47			CR 57	
1286	141.294 / Opt 3 (INN Refo KS/LS, Foam): lami / arg / E270 (DS 090 DS/DS) 3/4" IG											
	0.264	0.345	0.118					ARG90	0.037(#3)	CL	SS-D	G,S
	U-Factor 0.30			SHGC (<1) 0.30				VT (<1) 0.47			CR 57	
	141.294 / Opt 3 (INN Refo KS/LS, Foam): E270 / arg / lami (DS/DS 090 DS) 3/4" IG											
	0.118	0.345	0.264					ARG90	0.037(#2)	CL	SS-D	G,S
	U-Factor 0.30			SHGC (<1) 0.25				VT (<1) 0.47			CR 57	
1287	141.294 / Opt 3 (INN Refo KS/LS, Foam): E270 / arg / clr / arg / E270 (SS/SS/SS) 3/4" IG (SS-D)											
	0.087	0.266	0.087	0.266	0.087			ARG90	0.037(#2) / 0.037(#5)	CL	SS-D	N,S
	U-Factor 0.23			SHGC (N / <1) 0.24 / 0.22				VT (N / <1) 0.42 / 0.37			CR 66	
1288	141.294 / Opt 3 (INN Refo KS/LS, Foam): E270 / arg / clr / arg / E270 (SS/SS/SS) 3/4" IG (SS-D)											
	0.087	0.266	0.087	0.266	0.087			ARG90	0.037(#2) / 0.037(#5)	CL	SS-D	G,S
	U-Factor 0.24			SHGC (<1) 0.22				VT (<1) 0.37			CR 66	
1289	141.294 / Opt 3 (INN Refo KS/LS, Foam): E366 / air / clr (SS/SS) 3/4" IG											
	0.087	0.563	0.087					AIR	0.022(#2)	CL	SS-D	N,G,S
	U-Factor 0.32			SHGC (N / <1) 0.21 / 0.19				VT (N / <1) 0.50 / 0.44			CR 57	
	141.294 / Opt 3 (INN Refo KS/LS, Foam): clr / air / E366 (SS/SS) 3/4" IG											
	0.087	0.563	0.087					AIR	0.022(#3)	CL	SS-D	N,G,S
	U-Factor 0.32			SHGC (N / <1) 0.30 / 0.27				VT (N / <1) 0.50 / 0.44			CR 57	

NFRC 100/200/500 Summary Sheet
Windgate/Belmont/Hawthorne 2-Lite Slider

ID	Pane Thickness 1	Gap Width 1	Pane Thickness 2	Gap Width 2	Pane Thickness 3	Gap Width 3	Pane Thickness 4	Gap Fill	Low-e (Surface#)	Tint	Spacer	Grid Type
	U-Factor			Solar Heat Gain Coefficient (SHGC) Grids (None / <1 / >=1)				Visible Transmittance (VT) Grids (None / <1 / >=1)			Condensation Resistance	
1290	141.294 / Opt 3 (INN Refo KS/LS, Foam): E366 / arg / clr (SS/SS) 3/4" IG											
	0.087	0.563	0.087					ARG90	0.022(#2)	CL	SS-D	N,G,S
	U-Factor 0.27			SHGC (N / <1) 0.21 / 0.19				VT (N / <1) 0.50 / 0.44			CR	58
	141.294 / Opt 3 (INN Refo KS/LS, Foam): clr / arg / E366 (SS/SS) 3/4" IG											
	0.087	0.563	0.087					ARG90	0.022(#3)	CL	SS-D	N,G,S
	U-Factor 0.27			SHGC (N / <1) 0.30 / 0.27				VT (N / <1) 0.50 / 0.44			CR	58
1291	141.294 / Opt 3 (INN Refo KS/LS, Foam): E366 / air / clr (DS/DS) 3/4" IG											
	0.117	0.500	0.118					AIR	0.022(#2)	CL	SS-D	N,G,S
	U-Factor 0.30			SHGC (N / <1) 0.21 / 0.19				VT (N / <1) 0.49 / 0.44			CR	56
	141.294 / Opt 3 (INN Refo KS/LS, Foam): clr / air / E366 (DS/DS) 3/4" IG											
	0.118	0.500	0.117					AIR	0.022(#3)	CL	SS-D	N,G,S
	U-Factor 0.30			SHGC (N / <1) 0.29 / 0.27				VT (N / <1) 0.49 / 0.44			CR	56
1292	141.294 / Opt 3 (INN Refo KS/LS, Foam): E366 / arg / clr (DS/DS) 3/4" IG											
	0.117	0.500	0.118					ARG90	0.022(#2)	CL	SS-D	N,G,S
	U-Factor 0.27			SHGC (N / <1) 0.21 / 0.19				VT (N / <1) 0.49 / 0.44			CR	58
	141.294 / Opt 3 (INN Refo KS/LS, Foam): clr / arg / E366 (DS/DS) 3/4" IG											
	0.118	0.500	0.117					ARG90	0.022(#3)	CL	SS-D	N,G,S
	U-Factor 0.27			SHGC (N / <1) 0.30 / 0.27				VT (N / <1) 0.49 / 0.44			CR	58
1293	141.294 / Opt 3 (INN Refo KS/LS, Foam): lami / arg / E366 (DS 090 DS/DS) 3/4" IG											
	0.264	0.345	0.117					ARG90	0.022(#3)	CL	SS-D	N,S
	U-Factor 0.28			SHGC (N / <1) 0.29 / 0.26				VT (N / <1) 0.48 / 0.43			CR	57
	141.294 / Opt 3 (INN Refo KS/LS, Foam): E366 / arg / lami (DS/DS 090 DS) 3/4" IG											
	0.117	0.345	0.264					ARG90	0.022(#2)	CL	SS-D	N,S
	U-Factor 0.28			SHGC (N / <1) 0.21 / 0.19				VT (N / <1) 0.48 / 0.43			CR	57
1294	141.294 / Opt 3 (INN Refo KS/LS, Foam): lami / arg / E366 (DS 090 DS/DS) 3/4" IG											
	0.264	0.345	0.117					ARG90	0.022(#3)	CL	SS-D	G,S
	U-Factor 0.30			SHGC (<1) 0.26				VT (<1) 0.43			CR	57
	141.294 / Opt 3 (INN Refo KS/LS, Foam): E366 / arg / lami (DS/DS 090 DS) 3/4" IG											
	0.117	0.345	0.264					ARG90	0.022(#2)	CL	SS-D	G,S
	U-Factor 0.30			SHGC (<1) 0.19				VT (<1) 0.43			CR	57

NFRC 100/200/500 Summary Sheet
Windgate/Belmont/Hawthorne 2-Lite Slider

ID	Pane Thickness 1	Gap Width 1	Pane Thickness 2	Gap Width 2	Pane Thickness 3	Gap Width 3	Pane Thickness 4	Gap Fill	Low-e (Surface#)	Tint	Spacer	Grid Type
	U-Factor			Solar Heat Gain Coefficient (SHGC) Grids (None / <1 / >=1)				Visible Transmittance (VT) Grids (None / <1 / >=1)			Condensation Resistance	
1295	141.294 / Opt 3 (INN Refo KS/LS, Foam): E366 / arg / clr / arg / E366 (SS/SS/SS) 3/4" IG (SS-D)											
	0.087	0.266	0.087	0.266	0.087			ARG90	0.022(#2) / 0.022(#5)	CL	SS-D	N,S
	U-Factor 0.23			SHGC (N / <1) 0.19 / 0.17				VT (N / <1) 0.36 / 0.32			CR 67	
1296	141.294 / Opt 3 (INN Refo KS/LS, Foam): E366 / arg / clr / arg / E366 (SS/SS/SS) 3/4" IG (SS-D)											
	0.087	0.266	0.087	0.266	0.087			ARG90	0.022(#2) / 0.022(#5)	CL	SS-D	G,S
	U-Factor 0.24			SHGC (<1) 0.17				VT (<1) 0.32			CR 67	
1297	141.294 / Opt 3 (INN Refo KS/LS, Foam): clr / air / clr (SS/SS) 3/4" IG											
	0.087	0.563	0.087					AIR		CL	TS-D	N,G,S
	U-Factor 0.46			SHGC (N / <1) 0.61 / 0.54				VT (N / <1) 0.63 / 0.56			CR 44	
1298	141.294 / Opt 3 (INN Refo KS/LS, Foam): clr / air / clr (DS/DS) 3/4" IG											
	0.118	0.500	0.118					AIR		CL	TS-D	N,G,S
	U-Factor 0.44			SHGC (N / <1) 0.59 / 0.53				VT (N / <1) 0.62 / 0.56			CR 43	
1299	141.294 / Opt 3 (INN Refo KS/LS, Foam): clr / air / clr (5mm/DS) 3/4" IG											
	0.185	0.438	0.118					AIR		CL	TS-D	N,G,S
	U-Factor 0.45			SHGC (N / <1) 0.57 / 0.51				VT (N / <1) 0.62 / 0.55			CR 43	
1300	141.294 / Opt 3 (INN Refo KS/LS, Foam): clr / air / clr (5mm/DS) 3/4" IG											
	0.185	0.438	0.118					AIR		CL	TS-D	G
	U-Factor 0.45			SHGC (<1) 0.51				VT (<1) 0.55			CR 43	
1301	141.294 / Opt 3 (INN Refo KS/LS, Foam): lami / air / clr (DS 090 DS/DS) 3/4" IG											
	0.264	0.345	0.118					AIR		CL	TS-D	N,S
	U-Factor 0.46			SHGC (N / <1) 0.55 / 0.49				VT (N / <1) 0.61 / 0.55			CR 42	
	141.294 / Opt 3 (INN Refo KS/LS, Foam): clr / air / lami (DS/DS 090 DS) 3/4" IG											
	0.118	0.345	0.264					AIR		CL	TS-D	N,S
	U-Factor 0.46			SHGC (N / <1) 0.57 / 0.51				VT (N / <1) 0.61 / 0.55			CR 42	
1302	141.294 / Opt 3 (INN Refo KS/LS, Foam): lami / air / clr (DS 090 DS/DS) 3/4" IG											
	0.264	0.345	0.118					AIR		CL	TS-D	G,S
	U-Factor 0.47			SHGC (<1) 0.49				VT (<1) 0.55			CR 42	
	141.294 / Opt 3 (INN Refo KS/LS, Foam): clr / air / lami (DS/DS 090 DS) 3/4" IG											
	0.118	0.345	0.264					AIR		CL	TS-D	G,S
	U-Factor 0.47			SHGC (<1) 0.51				VT (<1) 0.55			CR 42	

**NFRC 100/200/500 Summary Sheet
Windgate/Belmont/Hawthorne 2-Lite Slider**

ID	Pane Thickness 1	Gap Width 1	Pane Thickness 2	Gap Width 2	Pane Thickness 3	Gap Width 3	Pane Thickness 4	Gap Fill	Low-e (Surface#)	Tint	Spacer	Grid Type
	U-Factor			Solar Heat Gain Coefficient (SHGC) Grids (None / <1 / >=1)				Visible Transmittance (VT) Grids (None / <1 / >=1)			Condensation Resistance	
1303	141.294 / Opt 3 (INN Refo KS/LS, Foam): clr / air / clr / air / clr (SS/SS/SS) 3/4" IG (P1-S)											
	0.087	0.250	0.087	0.250	0.087			AIR		CL	TS-D	N,S
	U-Factor 0.37			SHGC (N / <1) 0.55 / 0.49				VT (N / <1) 0.58 / 0.52			CR	51
1304	141.294 / Opt 3 (INN Refo KS/LS, Foam): clr / air / clr / air / clr (SS/SS/SS) 3/4" IG (P1-S)											
	0.087	0.250	0.087	0.250	0.087			AIR		CL	TS-D	G,S
	U-Factor 0.38			SHGC (<1) 0.49				VT (<1) 0.52			CR	51
1305	141.294 / Opt 3 (INN Refo KS/LS, Foam): 70/36 / air / clr (SS/SS) 3/4" IG											
	0.090	0.563	0.090					AIR	0.036(#2)	CL	TS-D	N,G,S
	U-Factor 0.31			SHGC (N / <1) 0.30 / 0.27				VT (N / <1) 0.54 / 0.48			CR	55
	141.294 / Opt 3 (INN Refo KS/LS, Foam): clr / air / 70/36 (SS/SS) 3/4" IG											
	0.090	0.563	0.090					AIR	0.036(#3)	CL	TS-D	N,G,S
	U-Factor 0.31			SHGC (N / <1) 0.37 / 0.33				VT (N / <1) 0.54 / 0.48			CR	55
1306	141.294 / Opt 3 (INN Refo KS/LS, Foam): 70/36 / arg / clr (SS/SS) 3/4" IG											
	0.090	0.563	0.090					ARG90	0.036(#2)	CL	TS-D	N,G,S
	U-Factor 0.28			SHGC (N / <1) 0.30 / 0.27				VT (N / <1) 0.54 / 0.48			CR	58
	141.294 / Opt 3 (INN Refo KS/LS, Foam): clr / arg / 70/36 (SS/SS) 3/4" IG											
	0.090	0.563	0.090					ARG90	0.036(#3)	CL	TS-D	N,G,S
	U-Factor 0.28			SHGC (N / <1) 0.38 / 0.34				VT (N / <1) 0.54 / 0.48			CR	58
1307	141.294 / Opt 3 (INN Refo KS/LS, Foam): 70/36 / air / clr (DS/DS) 3/4" IG											
	0.117	0.500	0.117					AIR	0.036(#2)	CL	TS-D	N,G,S
	U-Factor 0.31			SHGC (N / <1) 0.30 / 0.27				VT (N / <1) 0.53 / 0.47			CR	53
	141.294 / Opt 3 (INN Refo KS/LS, Foam): clr / air / 70/36 (DS/DS) 3/4" IG											
	0.117	0.500	0.117					AIR	0.036(#3)	CL	TS-D	N,G,S
	U-Factor 0.31			SHGC (N / <1) 0.37 / 0.33				VT (N / <1) 0.53 / 0.47			CR	53
1308	141.294 / Opt 3 (INN Refo KS/LS, Foam): 70/36 / arg / clr (DS/DS) 3/4" IG											
	0.117	0.500	0.117					ARG90	0.036(#2)	CL	TS-D	N,G,S
	U-Factor 0.28			SHGC (N / <1) 0.29 / 0.27				VT (N / <1) 0.53 / 0.47			CR	56
	141.294 / Opt 3 (INN Refo KS/LS, Foam): clr / arg / 70/36 (DS/DS) 3/4" IG											
	0.117	0.500	0.117					ARG90	0.036(#3)	CL	TS-D	N,G,S
	U-Factor 0.28			SHGC (N / <1) 0.37 / 0.33				VT (N / <1) 0.53 / 0.47			CR	56

**NFRC 100/200/500 Summary Sheet
Windgate/Belmont/Hawthorne 2-Lite Slider**

ID	Pane Thickness 1	Gap Width 1	Pane Thickness 2	Gap Width 2	Pane Thickness 3	Gap Width 3	Pane Thickness 4	Gap Fill	Low-e (Surface#)	Tint	Spacer	Grid Type
	U-Factor			Solar Heat Gain Coefficient (SHGC) Grids (None / <1 / >=1)				Visible Transmittance (VT) Grids (None / <1 / >=1)			Condensation Resistance	
1309	141.294 / Opt 3 (INN Refo KS/LS, Foam): lami / arg / 70/36 (DS 090 DS/DS) 3/4" IG											
	0.264	0.345	0.117					ARG90	0.036(#3)	CL	TS-D	N,S
	U-Factor 0.29			SHGC (N / <1) 0.35 / 0.32				VT (N / <1) 0.52 / 0.47			CR 55	
	141.294 / Opt 3 (INN Refo KS/LS, Foam): 70/36 / arg / lami (DS/DS 090 DS) 3/4" IG											
	0.117	0.345	0.264					ARG90	0.036(#2)	CL	TS-D	N,S
	U-Factor 0.29			SHGC (N / <1) 0.29 / 0.26				VT (N / <1) 0.52 / 0.47			CR 55	
1310	141.294 / Opt 3 (INN Refo KS/LS, Foam): lami / arg / 70/36 (DS 090 DS/DS) 3/4" IG											
	0.264	0.345	0.117					ARG90	0.036(#3)	CL	TS-D	G,S
	U-Factor 0.31			SHGC (<1) 0.32				VT (<1) 0.47			CR 55	
	141.294 / Opt 3 (INN Refo KS/LS, Foam): 70/36 / arg / lami (DS/DS 090 DS) 3/4" IG											
	0.117	0.345	0.264					ARG90	0.036(#2)	CL	TS-D	G,S
	U-Factor 0.31			SHGC (<1) 0.26				VT (<1) 0.47			CR 55	
1311	141.294 / Opt 3 (INN Refo KS/LS, Foam): 70/36 / arg / clr / arg / 70/36 (SS/SS/SS) 3/4" IG											
	0.090	0.250	0.090	0.250	0.090			ARG90	0.036(#2) / 0.036(#5)	CL	TS-D	N,S
	U-Factor 0.24			SHGC (N / <1) 0.26 / 0.23				VT (N / <1) 0.42 / 0.37			CR 63	
1312	141.294 / Opt 3 (INN Refo KS/LS, Foam): 70/36 / arg / clr / arg / 70/36 (SS/SS/SS) 3/4" IG											
	0.090	0.250	0.090	0.250	0.090			ARG90	0.036(#2) / 0.036(#5)	CL	TS-D	G,S
	U-Factor 0.25			SHGC (<1) 0.23				VT (<1) 0.37			CR 62	
1313	141.294 / Opt 3 (INN Refo KS/LS, Foam): 80/70 / air / clr (SS/SS) 3/4" IG											
	0.090	0.563	0.090					AIR	0.095(#2)	CL	TS-D	N,G,S
	U-Factor 0.33			SHGC (N / <1) 0.51 / 0.46				VT (N / <1) 0.62 / 0.55			CR 53	
	141.294 / Opt 3 (INN Refo KS/LS, Foam): clr / air / 80/70 (SS/SS) 3/4" IG											
	0.090	0.563	0.090					AIR	0.095(#3)	CL	TS-D	N,G,S
	U-Factor 0.33			SHGC (N / <1) 0.54 / 0.49				VT (N / <1) 0.62 / 0.55			CR 53	
1314	141.294 / Opt 3 (INN Refo KS/LS, Foam): 80/70 / arg / clr (SS/SS) 3/4" IG											
	0.090	0.563	0.090					ARG90	0.095(#2)	CL	TS-D	N,G,S
	U-Factor 0.29			SHGC (N / <1) 0.51 / 0.46				VT (N / <1) 0.62 / 0.55			CR 56	
	141.294 / Opt 3 (INN Refo KS/LS, Foam): clr / arg / 80/70 (SS/SS) 3/4" IG											
	0.090	0.563	0.090					ARG90	0.095(#3)	CL	TS-D	N,G,S
	U-Factor 0.29			SHGC (N / <1) 0.54 / 0.49				VT (N / <1) 0.62 / 0.55			CR 56	

NFRC 100/200/500 Summary Sheet
Windgate/Belmont/Hawthorne 2-Lite Slider

ID	Pane Thickness 1	Gap Width 1	Pane Thickness 2	Gap Width 2	Pane Thickness 3	Gap Width 3	Pane Thickness 4	Gap Fill	Low-e (Surface#)	Tint	Spacer	Grid Type
	U-Factor			Solar Heat Gain Coefficient (SHGC) Grids (None / <1 / >=1)				Visible Transmittance (VT) Grids (None / <1 / >=1)			Condensation Resistance	
1315	141.294 / Opt 3 (INN Refo KS/LS, Foam): 80/70 / air / clr (DS/DS) 3/4" IG											
	0.117	0.500	0.117					AIR	0.095(#2)	CL	TS-D	N,G,S
	U-Factor 0.32			SHGC (N / <1) 0.51 / 0.45				VT (N / <1) 0.61 / 0.55			CR 52	
	141.294 / Opt 3 (INN Refo KS/LS, Foam): clr / air / 80/70 (DS/DS) 3/4" IG											
	0.117	0.500	0.117					AIR	0.095(#3)	CL	TS-D	N,G,S
	U-Factor 0.32			SHGC (N / <1) 0.53 / 0.48				VT (N / <1) 0.61 / 0.55			CR 52	
1316	141.294 / Opt 3 (INN Refo KS/LS, Foam): 80/70 / arg / clr (DS/DS) 3/4" IG											
	0.117	0.500	0.117					ARG90	0.095(#2)	CL	TS-D	N,G,S
	U-Factor 0.29			SHGC (N / <1) 0.51 / 0.45				VT (N / <1) 0.61 / 0.55			CR 55	
	141.294 / Opt 3 (INN Refo KS/LS, Foam): clr / arg / 80/70 (DS/DS) 3/4" IG											
	0.117	0.500	0.117					ARG90	0.095(#3)	CL	TS-D	N,G,S
	U-Factor 0.29			SHGC (N / <1) 0.54 / 0.48				VT (N / <1) 0.61 / 0.55			CR 55	
1317	141.294 / Opt 3 (INN Refo KS/LS, Foam): lami / arg / 80/70 (DS 090 DS/DS) 3/4" IG											
	0.264	0.345	0.117					ARG90	0.095(#3)	CL	TS-D	N,S
	U-Factor 0.31			SHGC (N / <1) 0.49 / 0.44				VT (N / <1) 0.60 / 0.54			CR 54	
	141.294 / Opt 3 (INN Refo KS/LS, Foam): 80/70 / arg / lami (DS/DS 090 DS) 3/4" IG											
	0.117	0.345	0.264					ARG90	0.095(#2)	CL	TS-D	N,S
	U-Factor 0.31			SHGC (N / <1) 0.50 / 0.45				VT (N / <1) 0.60 / 0.54			CR 54	
1318	141.294 / Opt 3 (INN Refo KS/LS, Foam): lami / arg / 80/70 (DS 090 DS/DS) 3/4" IG											
	0.264	0.345	0.117					ARG90	0.095(#3)	CL	TS-D	G,S
	U-Factor 0.32			SHGC (<1) 0.44				VT (<1) 0.54			CR 54	
	141.294 / Opt 3 (INN Refo KS/LS, Foam): 80/70 / arg / lami (DS/DS 090 DS) 3/4" IG											
	0.117	0.345	0.264					ARG90	0.095(#2)	CL	TS-D	G,S
	U-Factor 0.32			SHGC (<1) 0.45				VT (<1) 0.54			CR 54	
1319	141.294 / Opt 3 (INN Refo KS/LS, Foam): 80/70 / arg / clr / arg / 80/70 (SS/SS/SS) 3/4" IG											
	0.090	0.250	0.090	0.250	0.090			ARG90	0.095(#2) / 0.095(#5)	CL	TS-D	N,S
	U-Factor 0.25			SHGC (N / <1) 0.45 / 0.41				VT (N / <1) 0.56 / 0.50			CR 62	
1320	141.294 / Opt 3 (INN Refo KS/LS, Foam): 80/70 / arg / clr / arg / 80/70 (SS/SS/SS) 3/4" IG											
	0.090	0.250	0.090	0.250	0.090			ARG90	0.095(#2) / 0.095(#5)	CL	TS-D	G,S
	U-Factor 0.26			SHGC (<1) 0.41				VT (<1) 0.50			CR 62	

**NFRC 100/200/500 Summary Sheet
Windgate/Belmont/Hawthorne 2-Lite Slider**

ID	Pane Thickness 1	Gap Width 1	Pane Thickness 2	Gap Width 2	Pane Thickness 3	Gap Width 3	Pane Thickness 4	Gap Fill	Low-e (Surface#)	Tint	Spacer	Grid Type
	U-Factor			Solar Heat Gain Coefficient (SHGC) Grids (None / <1 / >=1)				Visible Transmittance (VT) Grids (None / <1 / >=1)			Condensation Resistance	
1321	141.294 / Opt 4 (INN Refo KS/LS/S, Foam): clr / air / clr (SS/SS) 3/4" IG											
	0.087	0.563	0.087					AIR		CL	P1-S	N,G,S
	U-Factor 0.44			SHGC (N / <1) 0.61 / 0.54				VT (N / <1) 0.63 / 0.56			CR	46
1322	141.294 / Opt 4 (INN Refo KS/LS/S, Foam): clr / air / clr (DS/DS) 3/4" IG											
	0.118	0.500	0.118					AIR		CL	P1-S	N,G,S
	U-Factor 0.44			SHGC (N / <1) 0.59 / 0.53				VT (N / <1) 0.62 / 0.56			CR	45
1323	141.294 / Opt 4 (INN Refo KS/LS/S, Foam): clr / air / clr (5mm/DS) 3/4" IG											
	0.185	0.438	0.118					AIR		CL	P1-S	N,G,S
	U-Factor 0.44			SHGC (N / <1) 0.57 / 0.51				VT (N / <1) 0.62 / 0.55			CR	45
1324	141.294 / Opt 4 (INN Refo KS/LS/S, Foam): clr / air / clr (5mm/DS) 3/4" IG											
	0.185	0.438	0.118					AIR		CL	P1-S	G
	U-Factor 0.44			SHGC (<1) 0.51				VT (<1) 0.55			CR	45
1325	141.294 / Opt 4 (INN Refo KS/LS/S, Foam): lami / air / clr (DS 090 DS/DS) 3/4" IG											
	0.264	0.345	0.118					AIR		CL	P1-S	N,S
	U-Factor 0.45			SHGC (N / <1) 0.55 / 0.49				VT (N / <1) 0.61 / 0.55			CR	44
	141.294 / Opt 4 (INN Refo KS/LS/S, Foam): clr / air / lami (DS/DS 090 DS) 3/4" IG											
	0.118	0.345	0.264					AIR		CL	P1-S	N,S
	U-Factor 0.45			SHGC (N / <1) 0.57 / 0.51				VT (N / <1) 0.61 / 0.55			CR	44
1326	141.294 / Opt 4 (INN Refo KS/LS/S, Foam): lami / air / clr (DS 090 DS/DS) 3/4" IG											
	0.264	0.345	0.118					AIR		CL	P1-S	G,S
	U-Factor 0.46			SHGC (<1) 0.49				VT (<1) 0.55			CR	44
	141.294 / Opt 4 (INN Refo KS/LS/S, Foam): clr / air / lami (DS/DS 090 DS) 3/4" IG											
	0.118	0.345	0.264					AIR		CL	P1-S	G,S
	U-Factor 0.46			SHGC (<1) 0.51				VT (<1) 0.55			CR	44
1327	141.294 / Opt 4 (INN Refo KS/LS/S, Foam): clr / air / clr / air / clr (SS/SS/SS) 3/4" IG (P1-S)											
	0.087	0.250	0.087	0.250	0.087			AIR		CL	P1-S	N,S
	U-Factor 0.36			SHGC (N / <1) 0.55 / 0.49				VT (N / <1) 0.58 / 0.52			CR	53
1328	141.294 / Opt 4 (INN Refo KS/LS/S, Foam): clr / air / clr / air / clr (SS/SS/SS) 3/4" IG (P1-S)											
	0.087	0.250	0.087	0.250	0.087			AIR		CL	P1-S	G,S
	U-Factor 0.37			SHGC (<1) 0.49				VT (<1) 0.52			CR	53

NFRC 100/200/500 Summary Sheet
Windgate/Belmont/Hawthorne 2-Lite Slider

ID	Pane Thickness 1	Gap Width 1	Pane Thickness 2	Gap Width 2	Pane Thickness 3	Gap Width 3	Pane Thickness 4	Gap Fill	Low-e (Surface#)	Tint	Spacer	Grid Type
	U-Factor			Solar Heat Gain Coefficient (SHGC) Grids (None / <1 / >=1)				Visible Transmittance (VT) Grids (None / <1 / >=1)			Condensation Resistance	
1329	141.294 / Opt 4 (INN Refo KS/LS/S, Foam): E270 / air / clr (SS/SS) 3/4" IG											
	0.087	0.563	0.087					AIR	0.037(#2)	CL	P1-S	N,G,S
	U-Factor 0.30			SHGC (N / <1) 0.29 / 0.26				VT (N / <1) 0.54 / 0.48			CR	59
	141.294 / Opt 4 (INN Refo KS/LS/S, Foam): clr / air / E270 (SS/SS) 3/4" IG											
	0.087	0.563	0.087					AIR	0.037(#3)	CL	P1-S	N,G,S
	U-Factor 0.30			SHGC (N / <1) 0.35 / 0.32				VT (N / <1) 0.54 / 0.48			CR	59
1330	141.294 / Opt 4 (INN Refo KS/LS/S, Foam): E270 / arg / clr (SS/SS) 3/4" IG											
	0.087	0.563	0.087					ARG90	0.037(#2)	CL	P1-S	N,G,S
	U-Factor 0.27			SHGC (N / <1) 0.28 / 0.26				VT (N / <1) 0.54 / 0.48			CR	62
	141.294 / Opt 4 (INN Refo KS/LS/S, Foam): clr / arg / E270 (SS/SS) 3/4" IG											
	0.087	0.563	0.087					ARG90	0.037(#3)	CL	P1-S	N,G,S
	U-Factor 0.27			SHGC (N / <1) 0.36 / 0.32				VT (N / <1) 0.54 / 0.48			CR	62
1331	141.294 / Opt 4 (INN Refo KS/LS/S, Foam): E270 / air / clr (DS/DS) 3/4" IG											
	0.118	0.500	0.118					AIR	0.037(#2)	CL	P1-S	N,G,S
	U-Factor 0.30			SHGC (N / <1) 0.29 / 0.26				VT (N / <1) 0.53 / 0.47			CR	58
	141.294 / Opt 4 (INN Refo KS/LS/S, Foam): clr / air / E270 (DS/DS) 3/4" IG											
	0.118	0.500	0.118					AIR	0.037(#3)	CL	P1-S	N,G,S
	U-Factor 0.30			SHGC (N / <1) 0.35 / 0.31				VT (N / <1) 0.53 / 0.47			CR	58
1332	141.294 / Opt 4 (INN Refo KS/LS/S, Foam): E270 / arg / clr (DS/DS) 3/4" IG											
	0.118	0.500	0.118					ARG90	0.037(#2)	CL	P1-S	N,G,S
	U-Factor 0.26			SHGC (N / <1) 0.28 / 0.25				VT (N / <1) 0.53 / 0.47			CR	61
	141.294 / Opt 4 (INN Refo KS/LS/S, Foam): clr / arg / E270 (DS/DS) 3/4" IG											
	0.118	0.500	0.118					ARG90	0.037(#3)	CL	P1-S	N,G,S
	U-Factor 0.26			SHGC (N / <1) 0.35 / 0.32				VT (N / <1) 0.53 / 0.47			CR	61
1333	141.294 / Opt 4 (INN Refo KS/LS/S, Foam): lami / arg / E270 (DS 090 DS/DS) 3/4" IG											
	0.264	0.345	0.118					ARG90	0.037(#3)	CL	P1-S	N,S
	U-Factor 0.28			SHGC (N / <1) 0.33 / 0.30				VT (N / <1) 0.52 / 0.47			CR	59
	141.294 / Opt 4 (INN Refo KS/LS/S, Foam): E270 / arg / lami (DS/DS 090 DS) 3/4" IG											
	0.118	0.345	0.264					ARG90	0.037(#2)	CL	P1-S	N,S
	U-Factor 0.28			SHGC (N / <1) 0.28 / 0.25				VT (N / <1) 0.52 / 0.47			CR	59

NFRC 100/200/500 Summary Sheet
Windgate/Belmont/Hawthorne 2-Lite Slider

ID	Pane Thickness 1	Gap Width 1	Pane Thickness 2	Gap Width 2	Pane Thickness 3	Gap Width 3	Pane Thickness 4	Gap Width 4	Gap Fill	Low-e (Surface#)	Tint	Spacer	Grid Type
	U-Factor			Solar Heat Gain Coefficient (SHGC) Grids (None / <1 / >=1)					Visible Transmittance (VT) Grids (None / <1 / >=1)			Condensation Resistance	
1334	141.294 / Opt 4 (INN Refo KS/LS/S, Foam): lami / arg / E270 (DS 090 DS/DS) 3/4" IG												
	0.264	0.345	0.118						ARG90	0.037(#3)	CL	P1-S	G,S
	U-Factor 0.30			SHGC (<1) 0.30					VT (<1) 0.47			CR	59
	141.294 / Opt 4 (INN Refo KS/LS/S, Foam): E270 / arg / lami (DS/DS 090 DS) 3/4" IG												
	0.118	0.345	0.264						ARG90	0.037(#2)	CL	P1-S	G,S
	U-Factor 0.30			SHGC (<1) 0.25					VT (<1) 0.47			CR	59
1335	141.294 / Opt 4 (INN Refo KS/LS/S, Foam): E270 / arg / clr / arg / E270 (SS/SS/SS) 3/4" IG (P1-S)												
	0.087	0.250	0.087	0.250	0.087				ARG90	0.037(#2) / 0.037(#5)	CL	P1-S	N,S
	U-Factor 0.23			SHGC (N / <1) 0.24 / 0.22					VT (N / <1) 0.42 / 0.37			CR	68
1336	141.294 / Opt 4 (INN Refo KS/LS/S, Foam): E270 / arg / clr / arg / E270 (SS/SS/SS) 3/4" IG (P1-S)												
	0.087	0.250	0.087	0.250	0.087				ARG90	0.037(#2) / 0.037(#5)	CL	P1-S	G,S
	U-Factor 0.23			SHGC (<1) 0.22					VT (<1) 0.37			CR	68
1337	141.294 / Opt 4 (INN Refo KS/LS/S, Foam): E366 / air / clr (SS/SS) 3/4" IG												
	0.087	0.563	0.087						AIR	0.022(#2)	CL	P1-S	N,G,S
	U-Factor 0.30			SHGC (N / <1) 0.21 / 0.19					VT (N / <1) 0.50 / 0.44			CR	59
	141.294 / Opt 4 (INN Refo KS/LS/S, Foam): clr / air / E366 (SS/SS) 3/4" IG												
	0.087	0.563	0.087						AIR	0.022(#3)	CL	P1-S	N,G,S
	U-Factor 0.30			SHGC (N / <1) 0.30 / 0.27					VT (N / <1) 0.50 / 0.44			CR	59
1338	141.294 / Opt 4 (INN Refo KS/LS/S, Foam): E366 / arg / clr (SS/SS) 3/4" IG												
	0.087	0.563	0.087						ARG90	0.022(#2)	CL	P1-S	N,G,S
	U-Factor 0.26			SHGC (N / <1) 0.21 / 0.19					VT (N / <1) 0.50 / 0.44			CR	63
	141.294 / Opt 4 (INN Refo KS/LS/S, Foam): clr / arg / E366 (SS/SS) 3/4" IG												
	0.087	0.563	0.087						ARG90	0.022(#3)	CL	P1-S	N,G,S
	U-Factor 0.26			SHGC (N / <1) 0.30 / 0.27					VT (N / <1) 0.50 / 0.44			CR	63
1339	141.294 / Opt 4 (INN Refo KS/LS/S, Foam): E366 / air / clr (DS/DS) 3/4" IG												
	0.117	0.500	0.118						AIR	0.022(#2)	CL	P1-S	N,G,S
	U-Factor 0.29			SHGC (N / <1) 0.21 / 0.19					VT (N / <1) 0.49 / 0.44			CR	58
	141.294 / Opt 4 (INN Refo KS/LS/S, Foam): clr / air / E366 (DS/DS) 3/4" IG												
	0.118	0.500	0.117						AIR	0.022(#3)	CL	P1-S	N,G,S
	U-Factor 0.29			SHGC (N / <1) 0.29 / 0.27					VT (N / <1) 0.49 / 0.44			CR	58

NFRC 100/200/500 Summary Sheet
Windgate/Belmont/Hawthorne 2-Lite Slider

ID	Pane Thickness 1	Gap Width 1	Pane Thickness 2	Gap Width 2	Pane Thickness 3	Gap Width 3	Pane Thickness 4	Gap Width 4	Gap Fill	Low-e (Surface#)	Tint	Spacer	Grid Type
	U-Factor			Solar Heat Gain Coefficient (SHGC) Grids (None / <1 / >=1)					Visible Transmittance (VT) Grids (None / <1 / >=1)			Condensation Resistance	
1340	141.294 / Opt 4 (INN Refo KS/LS/S, Foam): E366 / arg / clr (DS/DS) 3/4" IG												
	0.117	0.500	0.118						ARG90	0.022(#2)	CL	P1-S	N,G,S
	U-Factor 0.26			SHGC (N / <1) 0.21 / 0.19					VT (N / <1) 0.49 / 0.44			CR 62	
	141.294 / Opt 4 (INN Refo KS/LS/S, Foam): clr / arg / E366 (DS/DS) 3/4" IG												
	0.118	0.500	0.117						ARG90	0.022(#3)	CL	P1-S	N,G,S
	U-Factor 0.26			SHGC (N / <1) 0.30 / 0.27					VT (N / <1) 0.49 / 0.44			CR 62	
1341	141.294 / Opt 4 (INN Refo KS/LS/S, Foam): lami / arg / E366 (DS 090 DS/DS) 3/4" IG												
	0.264	0.345	0.117						ARG90	0.022(#3)	CL	P1-S	N,S
	U-Factor 0.28			SHGC (N / <1) 0.29 / 0.26					VT (N / <1) 0.48 / 0.43			CR 60	
	141.294 / Opt 4 (INN Refo KS/LS/S, Foam): E366 / arg / lami (DS/DS 090 DS) 3/4" IG												
	0.117	0.345	0.264						ARG90	0.022(#2)	CL	P1-S	N,S
	U-Factor 0.28			SHGC (N / <1) 0.21 / 0.19					VT (N / <1) 0.48 / 0.43			CR 60	
1342	141.294 / Opt 4 (INN Refo KS/LS/S, Foam): lami / arg / E366 (DS 090 DS/DS) 3/4" IG												
	0.264	0.345	0.117						ARG90	0.022(#3)	CL	P1-S	G,S
	U-Factor 0.29			SHGC (<1) 0.26					VT (<1) 0.43			CR 60	
	141.294 / Opt 4 (INN Refo KS/LS/S, Foam): E366 / arg / lami (DS/DS 090 DS) 3/4" IG												
	0.117	0.345	0.264						ARG90	0.022(#2)	CL	P1-S	G,S
	U-Factor 0.29			SHGC (<1) 0.19					VT (<1) 0.43			CR 60	
1343	141.294 / Opt 4 (INN Refo KS/LS/S, Foam): E366 / arg / clr / arg / E366 (SS/SS/SS) 3/4" IG (P1-S)												
	0.087	0.250	0.087	0.250	0.087				ARG90	0.022(#2) / 0.022(#5)	CL	P1-S	N,S
	U-Factor 0.22			SHGC (N / <1) 0.19 / 0.17					VT (N / <1) 0.36 / 0.32			CR 68	
1344	141.294 / Opt 4 (INN Refo KS/LS/S, Foam): E366 / arg / clr / arg / E366 (SS/SS/SS) 3/4" IG (P1-S)												
	0.087	0.250	0.087	0.250	0.087				ARG90	0.022(#2) / 0.022(#5)	CL	P1-S	G,S
	U-Factor 0.23			SHGC (<1) 0.17					VT (<1) 0.32			CR 68	
1345	141.294 / Opt 4 (INN Refo KS/LS/S, Foam): 70/36 / air / clr (SS/SS) 3/4" IG												
	0.090	0.563	0.090						AIR	0.036(#2)	CL	P1-S	N,G,S
	U-Factor 0.30			SHGC (N / <1) 0.30 / 0.27					VT (N / <1) 0.54 / 0.48			CR 59	
	141.294 / Opt 4 (INN Refo KS/LS/S, Foam): clr / air / 70/36 (SS/SS) 3/4" IG												
	0.090	0.563	0.090						AIR	0.036(#3)	CL	P1-S	N,G,S
	U-Factor 0.30			SHGC (N / <1) 0.37 / 0.33					VT (N / <1) 0.54 / 0.48			CR 59	

NFRC 100/200/500 Summary Sheet
Windgate/Belmont/Hawthorne 2-Lite Slider

ID	Pane Thickness 1	Gap Width 1	Pane Thickness 2	Gap Width 2	Pane Thickness 3	Gap Width 3	Pane Thickness 4	Gap Fill	Low-e (Surface#)	Tint	Spacer	Grid Type
	U-Factor			Solar Heat Gain Coefficient (SHGC) Grids (None / <1 / >=1)				Visible Transmittance (VT) Grids (None / <1 / >=1)			Condensation Resistance	
1346	141.294 / Opt 4 (INN Refo KS/LS/S, Foam): 70/36 / arg / clr (SS/SS) 3/4" IG											
	0.090	0.563	0.090					ARG90	0.036(#2)	CL	P1-S	N,G,S
	U-Factor 0.27			SHGC (N / <1) 0.30 / 0.27				VT (N / <1) 0.54 / 0.48			CR	62
	141.294 / Opt 4 (INN Refo KS/LS/S, Foam): clr / arg / 70/36 (SS/SS) 3/4" IG											
	0.090	0.563	0.090					ARG90	0.036(#3)	CL	P1-S	N,G,S
	U-Factor 0.27			SHGC (N / <1) 0.38 / 0.34				VT (N / <1) 0.54 / 0.48			CR	62
1347	141.294 / Opt 4 (INN Refo KS/LS/S, Foam): 70/36 / air / clr (DS/DS) 3/4" IG											
	0.117	0.500	0.117					AIR	0.036(#2)	CL	P1-S	N,G,S
	U-Factor 0.30			SHGC (N / <1) 0.30 / 0.27				VT (N / <1) 0.53 / 0.47			CR	58
	141.294 / Opt 4 (INN Refo KS/LS/S, Foam): clr / air / 70/36 (DS/DS) 3/4" IG											
	0.117	0.500	0.117					AIR	0.036(#3)	CL	P1-S	N,G,S
	U-Factor 0.30			SHGC (N / <1) 0.37 / 0.33				VT (N / <1) 0.53 / 0.47			CR	58
1348	141.294 / Opt 4 (INN Refo KS/LS/S, Foam): 70/36 / arg / clr (DS/DS) 3/4" IG											
	0.117	0.500	0.117					ARG90	0.036(#2)	CL	P1-S	N,G,S
	U-Factor 0.26			SHGC (N / <1) 0.29 / 0.27				VT (N / <1) 0.53 / 0.47			CR	61
	141.294 / Opt 4 (INN Refo KS/LS/S, Foam): clr / arg / 70/36 (DS/DS) 3/4" IG											
	0.117	0.500	0.117					ARG90	0.036(#3)	CL	P1-S	N,G,S
	U-Factor 0.26			SHGC (N / <1) 0.37 / 0.33				VT (N / <1) 0.53 / 0.47			CR	61
1349	141.294 / Opt 4 (INN Refo KS/LS/S, Foam): lami / arg / 70/36 (DS 090 DS/DS) 3/4" IG											
	0.264	0.345	0.117					ARG90	0.036(#3)	CL	P1-S	N,S
	U-Factor 0.28			SHGC (N / <1) 0.35 / 0.32				VT (N / <1) 0.52 / 0.47			CR	59
	141.294 / Opt 4 (INN Refo KS/LS/S, Foam): 70/36 / arg / lami (DS/DS 090 DS) 3/4" IG											
	0.117	0.345	0.264					ARG90	0.036(#2)	CL	P1-S	N,S
	U-Factor 0.28			SHGC (N / <1) 0.29 / 0.26				VT (N / <1) 0.52 / 0.47			CR	59
1350	141.294 / Opt 4 (INN Refo KS/LS/S, Foam): lami / arg / 70/36 (DS 090 DS/DS) 3/4" IG											
	0.264	0.345	0.117					ARG90	0.036(#3)	CL	P1-S	G,S
	U-Factor 0.30			SHGC (<1) 0.32				VT (<1) 0.47			CR	59
	141.294 / Opt 4 (INN Refo KS/LS/S, Foam): 70/36 / arg / lami (DS/DS 090 DS) 3/4" IG											
	0.117	0.345	0.264					ARG90	0.036(#2)	CL	P1-S	G,S
	U-Factor 0.30			SHGC (<1) 0.26				VT (<1) 0.47			CR	59

NFRC 100/200/500 Summary Sheet
Windgate/Belmont/Hawthorne 2-Lite Slider

ID	Pane Thickness 1	Gap Width 1	Pane Thickness 2	Gap Width 2	Pane Thickness 3	Gap Width 3	Pane Thickness 4	Gap Fill	Low-e (Surface#)	Tint	Spacer	Grid Type
	U-Factor			Solar Heat Gain Coefficient (SHGC) Grids (None / <1 / >=1)				Visible Transmittance (VT) Grids (None / <1 / >=1)			Condensation Resistance	
1351	141.294 / Opt 4 (INN Refo KS/LS/S, Foam): 70/36 / arg / clr / arg / 70/36 (SS/SS/SS) 3/4" IG											
	0.090	0.250	0.090	0.250	0.090			ARG90	0.036(#2) / 0.036(#5)	CL	P1-S	N,S
	U-Factor 0.23			SHGC (N / <1) 0.26 / 0.23				VT (N / <1) 0.42 / 0.37			CR	68
1352	141.294 / Opt 4 (INN Refo KS/LS/S, Foam): 70/36 / arg / clr / arg / 70/36 (SS/SS/SS) 3/4" IG											
	0.090	0.250	0.090	0.250	0.090			ARG90	0.036(#2) / 0.036(#5)	CL	P1-S	G,S
	U-Factor 0.23			SHGC (<1) 0.23				VT (<1) 0.37			CR	68
1353	141.294 / Opt 4 (INN Refo KS/LS/S, Foam): 80/70 / air / clr (SS/SS) 3/4" IG											
	0.090	0.563	0.090					AIR	0.095(#2)	CL	P1-S	N,G,S
	U-Factor 0.31			SHGC (N / <1) 0.51 / 0.46				VT (N / <1) 0.62 / 0.55			CR	57
	141.294 / Opt 4 (INN Refo KS/LS/S, Foam): clr / air / 80/70 (SS/SS) 3/4" IG											
	0.090	0.563	0.090					AIR	0.095(#3)	CL	P1-S	N,G,S
	U-Factor 0.31			SHGC (N / <1) 0.54 / 0.49				VT (N / <1) 0.62 / 0.55			CR	57
1354	141.294 / Opt 4 (INN Refo KS/LS/S, Foam): 80/70 / arg / clr (SS/SS) 3/4" IG											
	0.090	0.563	0.090					ARG90	0.095(#2)	CL	P1-S	N,G,S
	U-Factor 0.28			SHGC (N / <1) 0.51 / 0.46				VT (N / <1) 0.62 / 0.55			CR	61
	141.294 / Opt 4 (INN Refo KS/LS/S, Foam): clr / arg / 80/70 (SS/SS) 3/4" IG											
	0.090	0.563	0.090					ARG90	0.095(#3)	CL	P1-S	N,G,S
	U-Factor 0.28			SHGC (N / <1) 0.54 / 0.49				VT (N / <1) 0.62 / 0.55			CR	61
1355	141.294 / Opt 4 (INN Refo KS/LS/S, Foam): 80/70 / air / clr (DS/DS) 3/4" IG											
	0.117	0.500	0.117					AIR	0.095(#2)	CL	P1-S	N,G,S
	U-Factor 0.31			SHGC (N / <1) 0.51 / 0.45				VT (N / <1) 0.61 / 0.55			CR	56
	141.294 / Opt 4 (INN Refo KS/LS/S, Foam): clr / air / 80/70 (DS/DS) 3/4" IG											
	0.117	0.500	0.117					AIR	0.095(#3)	CL	P1-S	N,G,S
	U-Factor 0.31			SHGC (N / <1) 0.53 / 0.48				VT (N / <1) 0.61 / 0.55			CR	56
1356	141.294 / Opt 4 (INN Refo KS/LS/S, Foam): 80/70 / arg / clr (DS/DS) 3/4" IG											
	0.117	0.500	0.117					ARG90	0.095(#2)	CL	P1-S	N,G,S
	U-Factor 0.28			SHGC (N / <1) 0.51 / 0.45				VT (N / <1) 0.61 / 0.55			CR	60
	141.294 / Opt 4 (INN Refo KS/LS/S, Foam): clr / arg / 80/70 (DS/DS) 3/4" IG											
	0.117	0.500	0.117					ARG90	0.095(#3)	CL	P1-S	N,G,S
	U-Factor 0.28			SHGC (N / <1) 0.54 / 0.48				VT (N / <1) 0.61 / 0.55			CR	60

**NFRC 100/200/500 Summary Sheet
Windgate/Belmont/Hawthorne 2-Lite Slider**

ID	Pane Thickness 1	Gap Width 1	Pane Thickness 2	Gap Width 2	Pane Thickness 3	Gap Width 3	Pane Thickness 4	Gap Fill	Low-e (Surface#)	Tint	Spacer	Grid Type
	U-Factor			Solar Heat Gain Coefficient (SHGC) Grids (None / <1 / >=1)				Visible Transmittance (VT) Grids (None / <1 / >=1)			Condensation Resistance	
1357	141.294 / Opt 4 (INN Refo KS/LS/S, Foam): lami / arg / 80/70 (DS 090 DS/DS) 3/4" IG											
	0.264	0.345	0.117					ARG90	0.095(#3)	CL	P1-S	N,S
	U-Factor 0.30			SHGC (N / <1) 0.49 / 0.44				VT (N / <1) 0.60 / 0.54			CR 58	
	141.294 / Opt 4 (INN Refo KS/LS/S, Foam): 80/70 / arg / lami (DS/DS 090 DS) 3/4" IG											
	0.117	0.345	0.264					ARG90	0.095(#2)	CL	P1-S	N,S
	U-Factor 0.30			SHGC (N / <1) 0.50 / 0.45				VT (N / <1) 0.60 / 0.54			CR 58	
1358	141.294 / Opt 4 (INN Refo KS/LS/S, Foam): lami / arg / 80/70 (DS 090 DS/DS) 3/4" IG											
	0.264	0.345	0.117					ARG90	0.095(#3)	CL	P1-S	G,S
	U-Factor 0.31			SHGC (<1) 0.44				VT (<1) 0.54			CR 58	
	141.294 / Opt 4 (INN Refo KS/LS/S, Foam): 80/70 / arg / lami (DS/DS 090 DS) 3/4" IG											
	0.117	0.345	0.264					ARG90	0.095(#2)	CL	P1-S	G,S
	U-Factor 0.31			SHGC (<1) 0.45				VT (<1) 0.54			CR 58	
1359	141.294 / Opt 4 (INN Refo KS/LS/S, Foam): 80/70 / arg / clr / arg / 80/70 (SS/SS/SS) 3/4" IG											
	0.090	0.250	0.090	0.250	0.090			ARG90	0.095(#2) / 0.095(#5)	CL	P1-S	N,S
	U-Factor 0.24			SHGC (N / <1) 0.45 / 0.41				VT (N / <1) 0.56 / 0.50			CR 66	
1360	141.294 / Opt 4 (INN Refo KS/LS/S, Foam): 80/70 / arg / clr / arg / 80/70 (SS/SS/SS) 3/4" IG											
	0.090	0.250	0.090	0.250	0.090			ARG90	0.095(#2) / 0.095(#5)	CL	P1-S	G,S
	U-Factor 0.25			SHGC (<1) 0.41				VT (<1) 0.50			CR 66	
1361	141.294 / Opt 4 (INN Refo KS/LS/S, Foam): clr / air / clr (SS/SS) 3/4" IG											
	0.087	0.563	0.087					AIR		CL	SS-D	N,G,S
	U-Factor 0.44			SHGC (N / <1) 0.61 / 0.54				VT (N / <1) 0.63 / 0.56			CR 44	
1362	141.294 / Opt 4 (INN Refo KS/LS/S, Foam): clr / air / clr (DS/DS) 3/4" IG											
	0.118	0.500	0.118					AIR		CL	SS-D	N,G,S
	U-Factor 0.44			SHGC (N / <1) 0.59 / 0.53				VT (N / <1) 0.62 / 0.56			CR 44	
1363	141.294 / Opt 4 (INN Refo KS/LS/S, Foam): clr / air / clr (5mm/DS) 3/4" IG											
	0.185	0.438	0.118					AIR		CL	SS-D	N,G,S
	U-Factor 0.45			SHGC (N / <1) 0.57 / 0.51				VT (N / <1) 0.62 / 0.55			CR 44	
1364	141.294 / Opt 4 (INN Refo KS/LS/S, Foam): clr / air / clr (5mm/DS) 3/4" IG											
	0.185	0.438	0.118					AIR		CL	SS-D	G
	U-Factor 0.45			SHGC (<1) 0.51				VT (<1) 0.55			CR 44	

NFRC 100/200/500 Summary Sheet
Windgate/Belmont/Hawthorne 2-Lite Slider

ID	Pane Thickness 1	Gap Width 1	Pane Thickness 2	Gap Width 2	Pane Thickness 3	Gap Width 3	Pane Thickness 4	Gap Fill	Low-e (Surface#)	Tint	Spacer	Grid Type
	U-Factor			Solar Heat Gain Coefficient (SHGC) Grids (None / <1 / >=1)				Visible Transmittance (VT) Grids (None / <1 / >=1)			Condensation Resistance	
1365	141.294 / Opt 4 (INN Refo KS/LS/S, Foam): lami / air / clr (DS 090 DS/DS) 3/4" IG											
	0.264	0.345	0.118					AIR		CL	SS-D	N,S
	U-Factor 0.46			SHGC (N / <1) 0.55 / 0.49				VT (N / <1) 0.61 / 0.55			CR 42	
	141.294 / Opt 4 (INN Refo KS/LS/S, Foam): clr / air / lami (DS/DS 090 DS) 3/4" IG											
	0.118	0.345	0.264					AIR		CL	SS-D	N,S
	U-Factor 0.46			SHGC (N / <1) 0.57 / 0.51				VT (N / <1) 0.61 / 0.55			CR 42	
1366	141.294 / Opt 4 (INN Refo KS/LS/S, Foam): lami / air / clr (DS 090 DS/DS) 3/4" IG											
	0.264	0.345	0.118					AIR		CL	SS-D	G,S
	U-Factor 0.47			SHGC (<1) 0.49				VT (<1) 0.55			CR 42	
	141.294 / Opt 4 (INN Refo KS/LS/S, Foam): clr / air / lami (DS/DS 090 DS) 3/4" IG											
	0.118	0.345	0.264					AIR		CL	SS-D	G,S
	U-Factor 0.47			SHGC (<1) 0.51				VT (<1) 0.55			CR 42	
1367	141.294 / Opt 4 (INN Refo KS/LS/S, Foam): clr / air / clr / air / clr (SS/SS/SS) 3/4" IG (P1-S)											
	0.087	0.250	0.087	0.250	0.087			AIR		CL	SS-D	N,S
	U-Factor 0.37			SHGC (N / <1) 0.55 / 0.49				VT (N / <1) 0.58 / 0.52			CR 52	
1368	141.294 / Opt 4 (INN Refo KS/LS/S, Foam): clr / air / clr / air / clr (SS/SS/SS) 3/4" IG (P1-S)											
	0.087	0.250	0.087	0.250	0.087			AIR		CL	SS-D	G,S
	U-Factor 0.37			SHGC (<1) 0.49				VT (<1) 0.52			CR 52	
1369	141.294 / Opt 4 (INN Refo KS/LS/S, Foam): E270 / air / clr (SS/SS) 3/4" IG											
	0.087	0.563	0.087					AIR	0.037(#2)	CL	SS-D	N,G,S
	U-Factor 0.31			SHGC (N / <1) 0.29 / 0.26				VT (N / <1) 0.54 / 0.48			CR 56	
	141.294 / Opt 4 (INN Refo KS/LS/S, Foam): clr / air / E270 (SS/SS) 3/4" IG											
	0.087	0.563	0.087					AIR	0.037(#3)	CL	SS-D	N,G,S
	U-Factor 0.31			SHGC (N / <1) 0.35 / 0.32				VT (N / <1) 0.54 / 0.48			CR 56	
1370	141.294 / Opt 4 (INN Refo KS/LS/S, Foam): E270 / arg / clr (SS/SS) 3/4" IG											
	0.087	0.563	0.087					ARG90	0.037(#2)	CL	SS-D	N,G,S
	U-Factor 0.28			SHGC (N / <1) 0.28 / 0.26				VT (N / <1) 0.54 / 0.48			CR 59	
	141.294 / Opt 4 (INN Refo KS/LS/S, Foam): clr / arg / E270 (SS/SS) 3/4" IG											
	0.087	0.563	0.087					ARG90	0.037(#3)	CL	SS-D	N,G,S
	U-Factor 0.28			SHGC (N / <1) 0.36 / 0.32				VT (N / <1) 0.54 / 0.48			CR 59	

NFRC 100/200/500 Summary Sheet
Windgate/Belmont/Hawthorne 2-Lite Slider

ID	Pane Thickness 1	Gap Width 1	Pane Thickness 2	Gap Width 2	Pane Thickness 3	Gap Width 3	Pane Thickness 4	Gap Width 4	Gap Fill	Low-e (Surface#)	Tint	Spacer	Grid Type
	U-Factor			Solar Heat Gain Coefficient (SHGC) Grids (None / <1 / >=1)					Visible Transmittance (VT) Grids (None / <1 / >=1)			Condensation Resistance	
1371	141.294 / Opt 4 (INN Refo KS/LS/S, Foam): E270 / air / clr (DS/DS) 3/4" IG												
	0.118	0.500	0.118						AIR	0.037(#2)	CL	SS-D	N,G,S
	U-Factor 0.31			SHGC (N / <1) 0.29 / 0.26					VT (N / <1) 0.53 / 0.47			CR	55
	141.294 / Opt 4 (INN Refo KS/LS/S, Foam): clr / air / E270 (DS/DS) 3/4" IG												
	0.118	0.500	0.118						AIR	0.037(#3)	CL	SS-D	N,G,S
	U-Factor 0.31			SHGC (N / <1) 0.35 / 0.31					VT (N / <1) 0.53 / 0.47			CR	55
1372	141.294 / Opt 4 (INN Refo KS/LS/S, Foam): E270 / arg / clr (DS/DS) 3/4" IG												
	0.118	0.500	0.118						ARG90	0.037(#2)	CL	SS-D	N,G,S
	U-Factor 0.27			SHGC (N / <1) 0.28 / 0.25					VT (N / <1) 0.53 / 0.47			CR	58
	141.294 / Opt 4 (INN Refo KS/LS/S, Foam): clr / arg / E270 (DS/DS) 3/4" IG												
	0.118	0.500	0.118						ARG90	0.037(#3)	CL	SS-D	N,G,S
	U-Factor 0.27			SHGC (N / <1) 0.35 / 0.32					VT (N / <1) 0.53 / 0.47			CR	58
1373	141.294 / Opt 4 (INN Refo KS/LS/S, Foam): lami / arg / E270 (DS 090 DS/DS) 3/4" IG												
	0.264	0.345	0.118						ARG90	0.037(#3)	CL	SS-D	N,S
	U-Factor 0.29			SHGC (N / <1) 0.33 / 0.30					VT (N / <1) 0.52 / 0.47			CR	56
	141.294 / Opt 4 (INN Refo KS/LS/S, Foam): E270 / arg / lami (DS/DS 090 DS) 3/4" IG												
	0.118	0.345	0.264						ARG90	0.037(#2)	CL	SS-D	N,S
	U-Factor 0.29			SHGC (N / <1) 0.28 / 0.25					VT (N / <1) 0.52 / 0.47			CR	56
1374	141.294 / Opt 4 (INN Refo KS/LS/S, Foam): lami / arg / E270 (DS 090 DS/DS) 3/4" IG												
	0.264	0.345	0.118						ARG90	0.037(#3)	CL	SS-D	G,S
	U-Factor 0.31			SHGC (<1) 0.30					VT (<1) 0.47			CR	56
	141.294 / Opt 4 (INN Refo KS/LS/S, Foam): E270 / arg / lami (DS/DS 090 DS) 3/4" IG												
	0.118	0.345	0.264						ARG90	0.037(#2)	CL	SS-D	G,S
	U-Factor 0.31			SHGC (<1) 0.25					VT (<1) 0.47			CR	56
1375	141.294 / Opt 4 (INN Refo KS/LS/S, Foam): E270 / arg / clr / arg / E270 (SS/SS/SS) 3/4" IG (SS-D)												
	0.087	0.266	0.087	0.266	0.087				ARG90	0.037(#2) / 0.037(#5)	CL	SS-D	N,S
	U-Factor 0.23			SHGC (N / <1) 0.24 / 0.22					VT (N / <1) 0.42 / 0.37			CR	66
1376	141.294 / Opt 4 (INN Refo KS/LS/S, Foam): E270 / arg / clr / arg / E270 (SS/SS/SS) 3/4" IG (SS-D)												
	0.087	0.266	0.087	0.266	0.087				ARG90	0.037(#2) / 0.037(#5)	CL	SS-D	G,S
	U-Factor 0.24			SHGC (<1) 0.22					VT (<1) 0.37			CR	65

**NFRC 100/200/500 Summary Sheet
Windgate/Belmont/Hawthorne 2-Lite Slider**

ID	Pane Thickness 1	Gap Width 1	Pane Thickness 2	Gap Width 2	Pane Thickness 3	Gap Width 3	Pane Thickness 4	Gap Width 4	Gap Fill	Low-e (Surface#)	Tint	Spacer	Grid Type
	U-Factor			Solar Heat Gain Coefficient (SHGC) Grids (None / <1 / >=1)					Visible Transmittance (VT) Grids (None / <1 / >=1)			Condensation Resistance	
1377	141.294 / Opt 4 (INN Refo KS/LS/S, Foam): E366 / air / clr (SS/SS) 3/4" IG												
	0.087	0.563	0.087						AIR	0.022(#2)	CL	SS-D	N,G,S
	U-Factor 0.31			SHGC (N / <1) 0.21 / 0.19					VT (N / <1) 0.50 / 0.44			CR	56
	141.294 / Opt 4 (INN Refo KS/LS/S, Foam): clr / air / E366 (SS/SS) 3/4" IG												
	0.087	0.563	0.087						AIR	0.022(#3)	CL	SS-D	N,G,S
	U-Factor 0.31			SHGC (N / <1) 0.30 / 0.27					VT (N / <1) 0.50 / 0.44			CR	56
1378	141.294 / Opt 4 (INN Refo KS/LS/S, Foam): E366 / arg / clr (SS/SS) 3/4" IG												
	0.087	0.563	0.087						ARG90	0.022(#2)	CL	SS-D	N,G,S
	U-Factor 0.27			SHGC (N / <1) 0.21 / 0.19					VT (N / <1) 0.50 / 0.44			CR	59
	141.294 / Opt 4 (INN Refo KS/LS/S, Foam): clr / arg / E366 (SS/SS) 3/4" IG												
	0.087	0.563	0.087						ARG90	0.022(#3)	CL	SS-D	N,G,S
	U-Factor 0.27			SHGC (N / <1) 0.30 / 0.27					VT (N / <1) 0.50 / 0.44			CR	59
1379	141.294 / Opt 4 (INN Refo KS/LS/S, Foam): E366 / air / clr (DS/DS) 3/4" IG												
	0.117	0.500	0.118						AIR	0.022(#2)	CL	SS-D	N,G,S
	U-Factor 0.30			SHGC (N / <1) 0.21 / 0.19					VT (N / <1) 0.49 / 0.44			CR	55
	141.294 / Opt 4 (INN Refo KS/LS/S, Foam): clr / air / E366 (DS/DS) 3/4" IG												
	0.118	0.500	0.117						AIR	0.022(#3)	CL	SS-D	N,G,S
	U-Factor 0.30			SHGC (N / <1) 0.29 / 0.27					VT (N / <1) 0.49 / 0.44			CR	55
1380	141.294 / Opt 4 (INN Refo KS/LS/S, Foam): E366 / arg / clr (DS/DS) 3/4" IG												
	0.117	0.500	0.118						ARG90	0.022(#2)	CL	SS-D	N,G,S
	U-Factor 0.27			SHGC (N / <1) 0.21 / 0.19					VT (N / <1) 0.49 / 0.44			CR	59
	141.294 / Opt 4 (INN Refo KS/LS/S, Foam): clr / arg / E366 (DS/DS) 3/4" IG												
	0.118	0.500	0.117						ARG90	0.022(#3)	CL	SS-D	N,G,S
	U-Factor 0.27			SHGC (N / <1) 0.30 / 0.27					VT (N / <1) 0.49 / 0.44			CR	59
1381	141.294 / Opt 4 (INN Refo KS/LS/S, Foam): lami / arg / E366 (DS 090 DS/DS) 3/4" IG												
	0.264	0.345	0.117						ARG90	0.022(#3)	CL	SS-D	N,S
	U-Factor 0.29			SHGC (N / <1) 0.29 / 0.26					VT (N / <1) 0.48 / 0.43			CR	56
	141.294 / Opt 4 (INN Refo KS/LS/S, Foam): E366 / arg / lami (DS/DS 090 DS) 3/4" IG												
	0.117	0.345	0.264						ARG90	0.022(#2)	CL	SS-D	N,S
	U-Factor 0.29			SHGC (N / <1) 0.21 / 0.19					VT (N / <1) 0.48 / 0.43			CR	56

**NFRC 100/200/500 Summary Sheet
Windgate/Belmont/Hawthorne 2-Lite Slider**

ID	Pane Thickness 1	Gap Width 1	Pane Thickness 2	Gap Width 2	Pane Thickness 3	Gap Width 3	Pane Thickness 4	Gap Width 4	Gap Fill	Low-e (Surface#)	Tint	Spacer	Grid Type
	U-Factor			Solar Heat Gain Coefficient (SHGC) Grids (None / <1 / >=1)				Visible Transmittance (VT) Grids (None / <1 / >=1)			Condensation Resistance		
1382	141.294 / Opt 4 (INN Refo KS/LS/S, Foam): lami / arg / E366 (DS 090 DS/DS) 3/4" IG												
	0.264	0.345	0.117						ARG90	0.022(#3)	CL	SS-D	G,S
	U-Factor 0.30			SHGC (<1) 0.26				VT (<1) 0.43			CR 56		
	141.294 / Opt 4 (INN Refo KS/LS/S, Foam): E366 / arg / lami (DS/DS 090 DS) 3/4" IG												
	0.117	0.345	0.264						ARG90	0.022(#2)	CL	SS-D	G,S
	U-Factor 0.30			SHGC (<1) 0.19				VT (<1) 0.43			CR 56		
1383	141.294 / Opt 4 (INN Refo KS/LS/S, Foam): E366 / arg / clr / arg / E366 (SS/SS/SS) 3/4" IG (SS-D)												
	0.087	0.266	0.087	0.266	0.087				ARG90	0.022(#2) / 0.022(#5)	CL	SS-D	N,S
	U-Factor 0.23			SHGC (N / <1) 0.19 / 0.17				VT (N / <1) 0.36 / 0.32			CR 66		
1384	141.294 / Opt 4 (INN Refo KS/LS/S, Foam): E366 / arg / clr / arg / E366 (SS/SS/SS) 3/4" IG (SS-D)												
	0.087	0.266	0.087	0.266	0.087				ARG90	0.022(#2) / 0.022(#5)	CL	SS-D	G,S
	U-Factor 0.23			SHGC (<1) 0.17				VT (<1) 0.32			CR 66		
1385	141.294 / Opt 4 (INN Refo KS/LS/S, Foam): clr / air / clr (SS/SS) 3/4" IG												
	0.087	0.563	0.087						AIR		CL	TS-D	N,G,S
	U-Factor 0.45			SHGC (N / <1) 0.61 / 0.54				VT (N / <1) 0.63 / 0.56			CR 44		
1386	141.294 / Opt 4 (INN Refo KS/LS/S, Foam): clr / air / clr (DS/DS) 3/4" IG												
	0.118	0.500	0.118						AIR		CL	TS-D	N,G,S
	U-Factor 0.44			SHGC (N / <1) 0.59 / 0.53				VT (N / <1) 0.62 / 0.56			CR 43		
1387	141.294 / Opt 4 (INN Refo KS/LS/S, Foam): clr / air / clr (5mm/DS) 3/4" IG												
	0.185	0.438	0.118						AIR		CL	TS-D	N,G,S
	U-Factor 0.45			SHGC (N / <1) 0.57 / 0.51				VT (N / <1) 0.62 / 0.55			CR 43		
1388	141.294 / Opt 4 (INN Refo KS/LS/S, Foam): clr / air / clr (5mm/DS) 3/4" IG												
	0.185	0.438	0.118						AIR		CL	TS-D	G
	U-Factor 0.45			SHGC (<1) 0.51				VT (<1) 0.55			CR 43		
1389	141.294 / Opt 4 (INN Refo KS/LS/S, Foam): lami / air / clr (DS 090 DS/DS) 3/4" IG												
	0.264	0.345	0.118						AIR		CL	TS-D	N,S
	U-Factor 0.46			SHGC (N / <1) 0.55 / 0.49				VT (N / <1) 0.61 / 0.55			CR 42		
	141.294 / Opt 4 (INN Refo KS/LS/S, Foam): clr / air / lami (DS/DS 090 DS) 3/4" IG												
	0.118	0.345	0.264						AIR		CL	TS-D	N,S
	U-Factor 0.46			SHGC (N / <1) 0.57 / 0.51				VT (N / <1) 0.61 / 0.55			CR 42		

NFRC 100/200/500 Summary Sheet
Windgate/Belmont/Hawthorne 2-Lite Slider

ID	Pane Thickness 1	Gap Width 1	Pane Thickness 2	Gap Width 2	Pane Thickness 3	Gap Width 3	Pane Thickness 4	Gap Width 4	Gap Fill	Low-e (Surface#)	Tint	Spacer	Grid Type
	U-Factor			Solar Heat Gain Coefficient (SHGC) Grids (None / <1 / >=1)					Visible Transmittance (VT) Grids (None / <1 / >=1)			Condensation Resistance	
1390	141.294 / Opt 4 (INN Refo KS/LS/S, Foam): lami / air / clr (DS 090 DS/DS) 3/4" IG												
	0.264	0.345	0.118						AIR		CL	TS-D	G,S
	U-Factor 0.47			SHGC (<1) 0.49					VT (<1) 0.55			CR 42	
	141.294 / Opt 4 (INN Refo KS/LS/S, Foam): clr / air / lami (DS/DS 090 DS) 3/4" IG												
	0.118	0.345	0.264						AIR		CL	TS-D	G,S
	U-Factor 0.47			SHGC (<1) 0.51					VT (<1) 0.55			CR 42	
1391	141.294 / Opt 4 (INN Refo KS/LS/S, Foam): clr / air / clr / air / clr (SS/SS/SS) 3/4" IG (P1-S)												
	0.087	0.250	0.087	0.250	0.087				AIR		CL	TS-D	N,S
	U-Factor 0.37			SHGC (N / <1) 0.55 / 0.49					VT (N / <1) 0.58 / 0.52			CR 51	
1392	141.294 / Opt 4 (INN Refo KS/LS/S, Foam): clr / air / clr / air / clr (SS/SS/SS) 3/4" IG (P1-S)												
	0.087	0.250	0.087	0.250	0.087				AIR		CL	TS-D	G,S
	U-Factor 0.38			SHGC (<1) 0.49					VT (<1) 0.52			CR 51	
1393	141.294 / Opt 4 (INN Refo KS/LS/S, Foam): 70/36 / air / clr (SS/SS) 3/4" IG												
	0.090	0.563	0.090						AIR	0.036(#2)	CL	TS-D	N,G,S
	U-Factor 0.31			SHGC (N / <1) 0.30 / 0.27					VT (N / <1) 0.54 / 0.48			CR 55	
	141.294 / Opt 4 (INN Refo KS/LS/S, Foam): clr / air / 70/36 (SS/SS) 3/4" IG												
	0.090	0.563	0.090						AIR	0.036(#3)	CL	TS-D	N,G,S
	U-Factor 0.31			SHGC (N / <1) 0.37 / 0.33					VT (N / <1) 0.54 / 0.48			CR 55	
1394	141.294 / Opt 4 (INN Refo KS/LS/S, Foam): 70/36 / arg / clr (SS/SS) 3/4" IG												
	0.090	0.563	0.090						ARG90	0.036(#2)	CL	TS-D	N,G,S
	U-Factor 0.28			SHGC (N / <1) 0.30 / 0.27					VT (N / <1) 0.54 / 0.48			CR 58	
	141.294 / Opt 4 (INN Refo KS/LS/S, Foam): clr / arg / 70/36 (SS/SS) 3/4" IG												
	0.090	0.563	0.090						ARG90	0.036(#3)	CL	TS-D	N,G,S
	U-Factor 0.28			SHGC (N / <1) 0.38 / 0.34					VT (N / <1) 0.54 / 0.48			CR 58	
1395	141.294 / Opt 4 (INN Refo KS/LS/S, Foam): 70/36 / air / clr (DS/DS) 3/4" IG												
	0.117	0.500	0.117						AIR	0.036(#2)	CL	TS-D	N,G,S
	U-Factor 0.31			SHGC (N / <1) 0.30 / 0.27					VT (N / <1) 0.53 / 0.47			CR 53	
	141.294 / Opt 4 (INN Refo KS/LS/S, Foam): clr / air / 70/36 (DS/DS) 3/4" IG												
	0.117	0.500	0.117						AIR	0.036(#3)	CL	TS-D	N,G,S
	U-Factor 0.31			SHGC (N / <1) 0.37 / 0.33					VT (N / <1) 0.53 / 0.47			CR 53	

NFRC 100/200/500 Summary Sheet
Windgate/Belmont/Hawthorne 2-Lite Slider

ID	Pane Thickness 1	Gap Width 1	Pane Thickness 2	Gap Width 2	Pane Thickness 3	Gap Width 3	Pane Thickness 4	Gap Fill	Low-e (Surface#)	Tint	Spacer	Grid Type
	U-Factor			Solar Heat Gain Coefficient (SHGC) Grids (None / <1 / >=1)				Visible Transmittance (VT) Grids (None / <1 / >=1)			Condensation Resistance	
1396	141.294 / Opt 4 (INN Refo KS/LS/S, Foam): 70/36 / arg / clr (DS/DS) 3/4" IG											
	0.117	0.500	0.117					ARG90	0.036(#2)	CL	TS-D	N,G,S
	U-Factor 0.28			SHGC (N / <1) 0.29 / 0.27				VT (N / <1) 0.53 / 0.47			CR 56	
	141.294 / Opt 4 (INN Refo KS/LS/S, Foam): clr / arg / 70/36 (DS/DS) 3/4" IG											
	0.117	0.500	0.117					ARG90	0.036(#3)	CL	TS-D	N,G,S
	U-Factor 0.28			SHGC (N / <1) 0.37 / 0.33				VT (N / <1) 0.53 / 0.47			CR 56	
1397	141.294 / Opt 4 (INN Refo KS/LS/S, Foam): lami / arg / 70/36 (DS 090 DS/DS) 3/4" IG											
	0.264	0.345	0.117					ARG90	0.036(#3)	CL	TS-D	N,S
	U-Factor 0.29			SHGC (N / <1) 0.35 / 0.32				VT (N / <1) 0.52 / 0.47			CR 55	
	141.294 / Opt 4 (INN Refo KS/LS/S, Foam): 70/36 / arg / lami (DS/DS 090 DS) 3/4" IG											
	0.117	0.345	0.264					ARG90	0.036(#2)	CL	TS-D	N,S
	U-Factor 0.29			SHGC (N / <1) 0.29 / 0.26				VT (N / <1) 0.52 / 0.47			CR 55	
1398	141.294 / Opt 4 (INN Refo KS/LS/S, Foam): lami / arg / 70/36 (DS 090 DS/DS) 3/4" IG											
	0.264	0.345	0.117					ARG90	0.036(#3)	CL	TS-D	G,S
	U-Factor 0.31			SHGC (<1) 0.32				VT (<1) 0.47			CR 55	
	141.294 / Opt 4 (INN Refo KS/LS/S, Foam): 70/36 / arg / lami (DS/DS 090 DS) 3/4" IG											
	0.117	0.345	0.264					ARG90	0.036(#2)	CL	TS-D	G,S
	U-Factor 0.31			SHGC (<1) 0.26				VT (<1) 0.47			CR 55	
1399	141.294 / Opt 4 (INN Refo KS/LS/S, Foam): 70/36 / arg / clr / arg / 70/36 (SS/SS/SS) 3/4" IG											
	0.090	0.250	0.090	0.250	0.090			ARG90	0.036(#2) / 0.036(#5)	CL	TS-D	N,S
	U-Factor 0.24			SHGC (N / <1) 0.26 / 0.23				VT (N / <1) 0.42 / 0.37			CR 62	
1400	141.294 / Opt 4 (INN Refo KS/LS/S, Foam): 70/36 / arg / clr / arg / 70/36 (SS/SS/SS) 3/4" IG											
	0.090	0.250	0.090	0.250	0.090			ARG90	0.036(#2) / 0.036(#5)	CL	TS-D	G,S
	U-Factor 0.25			SHGC (<1) 0.23				VT (<1) 0.37			CR 62	
1401	141.294 / Opt 4 (INN Refo KS/LS/S, Foam): 80/70 / air / clr (SS/SS) 3/4" IG											
	0.090	0.563	0.090					AIR	0.095(#2)	CL	TS-D	N,G,S
	U-Factor 0.33			SHGC (N / <1) 0.51 / 0.46				VT (N / <1) 0.62 / 0.55			CR 53	
	141.294 / Opt 4 (INN Refo KS/LS/S, Foam): clr / air / 80/70 (SS/SS) 3/4" IG											
	0.090	0.563	0.090					AIR	0.095(#3)	CL	TS-D	N,G,S
	U-Factor 0.33			SHGC (N / <1) 0.54 / 0.49				VT (N / <1) 0.62 / 0.55			CR 53	

NFRC 100/200/500 Summary Sheet
Windgate/Belmont/Hawthorne 2-Lite Slider

ID	Pane Thickness 1	Gap Width 1	Pane Thickness 2	Gap Width 2	Pane Thickness 3	Gap Width 3	Pane Thickness 4	Gap Width 4	Gap Fill	Low-e (Surface#)	Tint	Spacer	Grid Type
	U-Factor			Solar Heat Gain Coefficient (SHGC) Grids (None / <1 / >=1)				Visible Transmittance (VT) Grids (None / <1 / >=1)			Condensation Resistance		
1402	141.294 / Opt 4 (INN Refo KS/LS/S, Foam): 80/70 / arg / clr (SS/SS) 3/4" IG												
	0.090	0.563	0.090						ARG90	0.095(#2)	CL	TS-D	N,G,S
	U-Factor 0.30			SHGC (N / <1) 0.51 / 0.46				VT (N / <1) 0.62 / 0.55			CR 56		
	141.294 / Opt 4 (INN Refo KS/LS/S, Foam): clr / arg / 80/70 (SS/SS) 3/4" IG												
	0.090	0.563	0.090						ARG90	0.095(#3)	CL	TS-D	N,G,S
	U-Factor 0.30			SHGC (N / <1) 0.54 / 0.49				VT (N / <1) 0.62 / 0.55			CR 56		
1403	141.294 / Opt 4 (INN Refo KS/LS/S, Foam): 80/70 / air / clr (DS/DS) 3/4" IG												
	0.117	0.500	0.117						AIR	0.095(#2)	CL	TS-D	N,G,S
	U-Factor 0.32			SHGC (N / <1) 0.51 / 0.45				VT (N / <1) 0.61 / 0.55			CR 52		
	141.294 / Opt 4 (INN Refo KS/LS/S, Foam): clr / air / 80/70 (DS/DS) 3/4" IG												
	0.117	0.500	0.117						AIR	0.095(#3)	CL	TS-D	N,G,S
	U-Factor 0.32			SHGC (N / <1) 0.53 / 0.48				VT (N / <1) 0.61 / 0.55			CR 52		
1404	141.294 / Opt 4 (INN Refo KS/LS/S, Foam): 80/70 / arg / clr (DS/DS) 3/4" IG												
	0.117	0.500	0.117						ARG90	0.095(#2)	CL	TS-D	N,G,S
	U-Factor 0.29			SHGC (N / <1) 0.51 / 0.45				VT (N / <1) 0.61 / 0.55			CR 55		
	141.294 / Opt 4 (INN Refo KS/LS/S, Foam): clr / arg / 80/70 (DS/DS) 3/4" IG												
	0.117	0.500	0.117						ARG90	0.095(#3)	CL	TS-D	N,G,S
	U-Factor 0.29			SHGC (N / <1) 0.54 / 0.48				VT (N / <1) 0.61 / 0.55			CR 55		
1405	141.294 / Opt 4 (INN Refo KS/LS/S, Foam): lami / arg / 80/70 (DS 090 DS/DS) 3/4" IG												
	0.264	0.345	0.117						ARG90	0.095(#3)	CL	TS-D	N,S
	U-Factor 0.31			SHGC (N / <1) 0.49 / 0.44				VT (N / <1) 0.60 / 0.54			CR 54		
	141.294 / Opt 4 (INN Refo KS/LS/S, Foam): 80/70 / arg / lami (DS/DS 090 DS) 3/4" IG												
	0.117	0.345	0.264						ARG90	0.095(#2)	CL	TS-D	N,S
	U-Factor 0.31			SHGC (N / <1) 0.50 / 0.45				VT (N / <1) 0.60 / 0.54			CR 54		
1406	141.294 / Opt 4 (INN Refo KS/LS/S, Foam): lami / arg / 80/70 (DS 090 DS/DS) 3/4" IG												
	0.264	0.345	0.117						ARG90	0.095(#3)	CL	TS-D	G,S
	U-Factor 0.32			SHGC (<1) 0.44				VT (<1) 0.54			CR 54		
	141.294 / Opt 4 (INN Refo KS/LS/S, Foam): 80/70 / arg / lami (DS/DS 090 DS) 3/4" IG												
	0.117	0.345	0.264						ARG90	0.095(#2)	CL	TS-D	G,S
	U-Factor 0.32			SHGC (<1) 0.45				VT (<1) 0.54			CR 54		

NFRC 100/200/500 Summary Sheet
Windgate/Belmont/Hawthorne 2-Lite Slider

ID	Pane Thickness 1	Gap Width 1	Pane Thickness 2	Gap Width 2	Pane Thickness 3	Gap Width 3	Pane Thickness 4	Gap Fill	Low-e (Surface#)	Tint	Spacer	Grid Type
	U-Factor			Solar Heat Gain Coefficient (SHGC) Grids (None / <1 / >=1)				Visible Transmittance (VT) Grids (None / <1 / >=1)			Condensation Resistance	
1407	141.294 / Opt 4 (INN Refo KS/LS/S, Foam): 80/70 / arg / clr / arg / 80/70 (SS/SS/SS) 3/4" IG											
	0.090	0.250	0.090	0.250	0.090			ARG90	0.095(#2) / 0.095(#5)	CL	TS-D	N,S
	U-Factor 0.25			SHGC (N / <1) 0.45 / 0.41				VT (N / <1) 0.56 / 0.50			CR 62	
1408	141.294 / Opt 4 (INN Refo KS/LS/S, Foam): 80/70 / arg / clr / arg / 80/70 (SS/SS/SS) 3/4" IG											
	0.090	0.250	0.090	0.250	0.090			ARG90	0.095(#2) / 0.095(#5)	CL	TS-D	G,S
	U-Factor 0.26			SHGC (<1) 0.41				VT (<1) 0.50			CR 62	
1409	142.294 / Opt 1 (INN Refo KS/LS, No Foam): clr / air / clr (SS/SS) 3/4" IG											
	0.087	0.563	0.087					AIR		CL	P1-S	N,G,S
	U-Factor 0.45			SHGC (N / <1) 0.61 / 0.54				VT (N / <1) 0.63 / 0.56			CR 46	
1410	142.294 / Opt 1 (INN Refo KS/LS, No Foam): clr / air / clr (DS/DS) 3/4" IG											
	0.118	0.500	0.118					AIR		CL	P1-S	N,G,S
	U-Factor 0.45			SHGC (N / <1) 0.59 / 0.53				VT (N / <1) 0.62 / 0.56			CR 45	
1411	142.294 / Opt 1 (INN Refo KS/LS, No Foam): clr / air / clr (5mm/DS) 3/4" IG											
	0.185	0.438	0.118					AIR		CL	P1-S	N,G,S
	U-Factor 0.45			SHGC (N / <1) 0.57 / 0.51				VT (N / <1) 0.62 / 0.55			CR 45	
1412	142.294 / Opt 1 (INN Refo KS/LS, No Foam): clr / air / clr (5mm/DS) 3/4" IG											
	0.185	0.438	0.118					AIR		CL	P1-S	G
	U-Factor 0.45			SHGC (<1) 0.51				VT (<1) 0.55			CR 45	
1413	142.294 / Opt 1 (INN Refo KS/LS, No Foam): lami / air / clr (DS 090 DS/DS) 3/4" IG											
	0.264	0.345	0.118					AIR		CL	P1-S	N,S
	U-Factor 0.46			SHGC (N / <1) 0.55 / 0.49				VT (N / <1) 0.61 / 0.55			CR 44	
	142.294 / Opt 1 (INN Refo KS/LS, No Foam): clr / air / lami (DS/DS 090 DS) 3/4" IG											
	0.118	0.345	0.264					AIR		CL	P1-S	N,S
	U-Factor 0.46			SHGC (N / <1) 0.57 / 0.51				VT (N / <1) 0.61 / 0.55			CR 44	
1414	142.294 / Opt 1 (INN Refo KS/LS, No Foam): lami / air / clr (DS 090 DS/DS) 3/4" IG											
	0.264	0.345	0.118					AIR		CL	P1-S	G,S
	U-Factor 0.47			SHGC (<1) 0.49				VT (<1) 0.55			CR 44	
	142.294 / Opt 1 (INN Refo KS/LS, No Foam): clr / air / lami (DS/DS 090 DS) 3/4" IG											
	0.118	0.345	0.264					AIR		CL	P1-S	G,S
	U-Factor 0.47			SHGC (<1) 0.51				VT (<1) 0.55			CR 44	

NFRC 100/200/500 Summary Sheet
Windgate/Belmont/Hawthorne 2-Lite Slider

ID	Pane Thickness 1	Gap Width 1	Pane Thickness 2	Gap Width 2	Pane Thickness 3	Gap Width 3	Pane Thickness 4	Gap Fill	Low-e (Surface#)	Tint	Spacer	Grid Type
	U-Factor			Solar Heat Gain Coefficient (SHGC) Grids (None / <1 / >=1)				Visible Transmittance (VT) Grids (None / <1 / >=1)			Condensation Resistance	
1415	142.294 / Opt 1 (INN Refo KS/LS, No Foam): clr / air / clr / air / clr (SS/SS/SS) 3/4" IG (P1-S)											
	0.087	0.250	0.087	0.250	0.087			AIR		CL	P1-S	N,S
	U-Factor 0.37			SHGC (N / <1) 0.55 / 0.49				VT (N / <1) 0.58 / 0.52			CR	53
1416	142.294 / Opt 1 (INN Refo KS/LS, No Foam): clr / air / clr / air / clr (SS/SS/SS) 3/4" IG (P1-S)											
	0.087	0.250	0.087	0.250	0.087			AIR		CL	P1-S	G,S
	U-Factor 0.38			SHGC (<1) 0.49				VT (<1) 0.52			CR	53
1417	142.294 / Opt 1 (INN Refo KS/LS, No Foam): E270 / air / clr (SS/SS) 3/4" IG											
	0.087	0.563	0.087					AIR	0.037(#2)	CL	P1-S	N,G,S
	U-Factor 0.31			SHGC (N / <1) 0.29 / 0.26				VT (N / <1) 0.54 / 0.48			CR	59
	142.294 / Opt 1 (INN Refo KS/LS, No Foam): clr / air / E270 (SS/SS) 3/4" IG											
	0.087	0.563	0.087					AIR	0.037(#3)	CL	P1-S	N,G,S
	U-Factor 0.31			SHGC (N / <1) 0.35 / 0.32				VT (N / <1) 0.54 / 0.48			CR	59
1418	142.294 / Opt 1 (INN Refo KS/LS, No Foam): E270 / arg / clr (SS/SS) 3/4" IG											
	0.087	0.563	0.087					ARG90	0.037(#2)	CL	P1-S	N,G,S
	U-Factor 0.27			SHGC (N / <1) 0.28 / 0.26				VT (N / <1) 0.54 / 0.48			CR	62
	142.294 / Opt 1 (INN Refo KS/LS, No Foam): clr / arg / E270 (SS/SS) 3/4" IG											
	0.087	0.563	0.087					ARG90	0.037(#3)	CL	P1-S	N,G,S
	U-Factor 0.27			SHGC (N / <1) 0.36 / 0.32				VT (N / <1) 0.54 / 0.48			CR	62
1419	142.294 / Opt 1 (INN Refo KS/LS, No Foam): E270 / air / clr (DS/DS) 3/4" IG											
	0.118	0.500	0.118					AIR	0.037(#2)	CL	P1-S	N,G,S
	U-Factor 0.31			SHGC (N / <1) 0.29 / 0.26				VT (N / <1) 0.53 / 0.47			CR	58
	142.294 / Opt 1 (INN Refo KS/LS, No Foam): clr / air / E270 (DS/DS) 3/4" IG											
	0.118	0.500	0.118					AIR	0.037(#3)	CL	P1-S	N,G,S
	U-Factor 0.31			SHGC (N / <1) 0.35 / 0.31				VT (N / <1) 0.53 / 0.47			CR	58
1420	142.294 / Opt 1 (INN Refo KS/LS, No Foam): E270 / arg / clr (DS/DS) 3/4" IG											
	0.118	0.500	0.118					ARG90	0.037(#2)	CL	P1-S	N,G,S
	U-Factor 0.27			SHGC (N / <1) 0.28 / 0.25				VT (N / <1) 0.53 / 0.47			CR	62
	142.294 / Opt 1 (INN Refo KS/LS, No Foam): clr / arg / E270 (DS/DS) 3/4" IG											
	0.118	0.500	0.118					ARG90	0.037(#3)	CL	P1-S	N,G,S
	U-Factor 0.27			SHGC (N / <1) 0.35 / 0.32				VT (N / <1) 0.53 / 0.47			CR	62

NFRC 100/200/500 Summary Sheet
Windgate/Belmont/Hawthorne 2-Lite Slider

ID	Pane Thickness 1	Gap Width 1	Pane Thickness 2	Gap Width 2	Pane Thickness 3	Gap Width 3	Pane Thickness 4	Gap Fill	Low-e (Surface#)	Tint	Spacer	Grid Type
	U-Factor			Solar Heat Gain Coefficient (SHGC) Grids (None / <1 / >=1)				Visible Transmittance (VT) Grids (None / <1 / >=1)			Condensation Resistance	
1421	142.294 / Opt 1 (INN Refo KS/LS, No Foam): lami / arg / E270 (DS 090 DS/DS) 3/4" IG											
	0.264	0.345	0.118					ARG90	0.037(#3)	CL	P1-S	N,S
	U-Factor 0.29			SHGC (N / <1) 0.33 / 0.30				VT (N / <1) 0.52 / 0.47			CR	59
	142.294 / Opt 1 (INN Refo KS/LS, No Foam): E270 / arg / lami (DS/DS 090 DS) 3/4" IG											
	0.118	0.345	0.264					ARG90	0.037(#2)	CL	P1-S	N,S
	U-Factor 0.29			SHGC (N / <1) 0.28 / 0.25				VT (N / <1) 0.52 / 0.47			CR	59
1422	142.294 / Opt 1 (INN Refo KS/LS, No Foam): lami / arg / E270 (DS 090 DS/DS) 3/4" IG											
	0.264	0.345	0.118					ARG90	0.037(#3)	CL	P1-S	G,S
	U-Factor 0.31			SHGC (<1) 0.30				VT (<1) 0.47			CR	59
	142.294 / Opt 1 (INN Refo KS/LS, No Foam): E270 / arg / lami (DS/DS 090 DS) 3/4" IG											
	0.118	0.345	0.264					ARG90	0.037(#2)	CL	P1-S	G,S
	U-Factor 0.31			SHGC (<1) 0.25				VT (<1) 0.47			CR	59
1423	142.294 / Opt 1 (INN Refo KS/LS, No Foam): E270 / arg / clr / arg / E270 (SS/SS/SS) 3/4" IG (P1-S)											
	0.087	0.250	0.087	0.250	0.087			ARG90	0.037(#2) / 0.037(#5)	CL	P1-S	N,S
	U-Factor 0.24			SHGC (N / <1) 0.24 / 0.22				VT (N / <1) 0.42 / 0.37			CR	68
1424	142.294 / Opt 1 (INN Refo KS/LS, No Foam): E270 / arg / clr / arg / E270 (SS/SS/SS) 3/4" IG (P1-S)											
	0.087	0.250	0.087	0.250	0.087			ARG90	0.037(#2) / 0.037(#5)	CL	P1-S	G,S
	U-Factor 0.24			SHGC (<1) 0.22				VT (<1) 0.37			CR	68
1425	142.294 / Opt 1 (INN Refo KS/LS, No Foam): E366 / air / clr (SS/SS) 3/4" IG											
	0.087	0.563	0.087					AIR	0.022(#2)	CL	P1-S	N,G,S
	U-Factor 0.31			SHGC (N / <1) 0.21 / 0.19				VT (N / <1) 0.50 / 0.44			CR	59
	142.294 / Opt 1 (INN Refo KS/LS, No Foam): clr / air / E366 (SS/SS) 3/4" IG											
	0.087	0.563	0.087					AIR	0.022(#3)	CL	P1-S	N,G,S
	U-Factor 0.31			SHGC (N / <1) 0.30 / 0.27				VT (N / <1) 0.50 / 0.44			CR	59
1426	142.294 / Opt 1 (INN Refo KS/LS, No Foam): E366 / arg / clr (SS/SS) 3/4" IG											
	0.087	0.563	0.087					ARG90	0.022(#2)	CL	P1-S	N,G,S
	U-Factor 0.27			SHGC (N / <1) 0.21 / 0.19				VT (N / <1) 0.50 / 0.44			CR	63
	142.294 / Opt 1 (INN Refo KS/LS, No Foam): clr / arg / E366 (SS/SS) 3/4" IG											
	0.087	0.563	0.087					ARG90	0.022(#3)	CL	P1-S	N,G,S
	U-Factor 0.27			SHGC (N / <1) 0.30 / 0.27				VT (N / <1) 0.50 / 0.44			CR	63

**NFRC 100/200/500 Summary Sheet
Windgate/Belmont/Hawthorne 2-Lite Slider**

ID	Pane Thickness 1	Gap Width 1	Pane Thickness 2	Gap Width 2	Pane Thickness 3	Gap Width 3	Pane Thickness 4	Gap Fill	Low-e (Surface#)	Tint	Spacer	Grid Type
	U-Factor			Solar Heat Gain Coefficient (SHGC) Grids (None / <1 / >=1)				Visible Transmittance (VT) Grids (None / <1 / >=1)			Condensation Resistance	
1427	142.294 / Opt 1 (INN Refo KS/LS, No Foam): E366 / air / clr (DS/DS) 3/4" IG											
	0.117	0.500	0.118					AIR	0.022(#2)	CL	P1-S	N,G,S
	U-Factor 0.30			SHGC (N / <1) 0.21 / 0.19				VT (N / <1) 0.49 / 0.44			CR	58
	142.294 / Opt 1 (INN Refo KS/LS, No Foam): clr / air / E366 (DS/DS) 3/4" IG											
	0.118	0.500	0.117					AIR	0.022(#3)	CL	P1-S	N,G,S
	U-Factor 0.30			SHGC (N / <1) 0.29 / 0.27				VT (N / <1) 0.49 / 0.44			CR	58
1428	142.294 / Opt 1 (INN Refo KS/LS, No Foam): E366 / arg / clr (DS/DS) 3/4" IG											
	0.117	0.500	0.118					ARG90	0.022(#2)	CL	P1-S	N,G,S
	U-Factor 0.27			SHGC (N / <1) 0.21 / 0.19				VT (N / <1) 0.49 / 0.44			CR	62
	142.294 / Opt 1 (INN Refo KS/LS, No Foam): clr / arg / E366 (DS/DS) 3/4" IG											
	0.118	0.500	0.117					ARG90	0.022(#3)	CL	P1-S	N,G,S
	U-Factor 0.27			SHGC (N / <1) 0.30 / 0.27				VT (N / <1) 0.49 / 0.44			CR	62
1429	142.294 / Opt 1 (INN Refo KS/LS, No Foam): lami / arg / E366 (DS 090 DS/DS) 3/4" IG											
	0.264	0.345	0.117					ARG90	0.022(#3)	CL	P1-S	N,S
	U-Factor 0.29			SHGC (N / <1) 0.29 / 0.26				VT (N / <1) 0.48 / 0.43			CR	60
	142.294 / Opt 1 (INN Refo KS/LS, No Foam): E366 / arg / lami (DS/DS 090 DS) 3/4" IG											
	0.117	0.345	0.264					ARG90	0.022(#2)	CL	P1-S	N,S
	U-Factor 0.29			SHGC (N / <1) 0.21 / 0.19				VT (N / <1) 0.48 / 0.43			CR	60
1430	142.294 / Opt 1 (INN Refo KS/LS, No Foam): lami / arg / E366 (DS 090 DS/DS) 3/4" IG											
	0.264	0.345	0.117					ARG90	0.022(#3)	CL	P1-S	G,S
	U-Factor 0.30			SHGC (<1) 0.26				VT (<1) 0.43			CR	60
	142.294 / Opt 1 (INN Refo KS/LS, No Foam): E366 / arg / lami (DS/DS 090 DS) 3/4" IG											
	0.117	0.345	0.264					ARG90	0.022(#2)	CL	P1-S	G,S
	U-Factor 0.30			SHGC (<1) 0.19				VT (<1) 0.43			CR	60
1431	142.294 / Opt 1 (INN Refo KS/LS, No Foam): E366 / arg / clr / arg / E366 (SS/SS/SS) 3/4" IG (P1-S)											
	0.087	0.250	0.087	0.250	0.087			ARG90	0.022(#2) / 0.022(#5)	CL	P1-S	N,S
	U-Factor 0.23			SHGC (N / <1) 0.19 / 0.17				VT (N / <1) 0.36 / 0.32			CR	68
1432	142.294 / Opt 1 (INN Refo KS/LS, No Foam): E366 / arg / clr / arg / E366 (SS/SS/SS) 3/4" IG (P1-S)											
	0.087	0.250	0.087	0.250	0.087			ARG90	0.022(#2) / 0.022(#5)	CL	P1-S	G,S
	U-Factor 0.24			SHGC (<1) 0.17				VT (<1) 0.32			CR	68

NFRC 100/200/500 Summary Sheet
Windgate/Belmont/Hawthorne 2-Lite Slider

ID	Pane Thickness 1	Gap Width 1	Pane Thickness 2	Gap Width 2	Pane Thickness 3	Gap Width 3	Pane Thickness 4	Gap Fill	Low-e (Surface#)	Tint	Spacer	Grid Type
	U-Factor			Solar Heat Gain Coefficient (SHGC) Grids (None / <1 / >=1)				Visible Transmittance (VT) Grids (None / <1 / >=1)			Condensation Resistance	
1433	142.294 / Opt 1 (INN Refo KS/LS, No Foam): 70/36 / air / clr (SS/SS) 3/4" IG											
	0.090	0.563	0.090					AIR	0.036(#2)	CL	P1-S	N,G,S
	U-Factor 0.31			SHGC (N / <1) 0.30 / 0.27				VT (N / <1) 0.54 / 0.48			CR	59
	142.294 / Opt 1 (INN Refo KS/LS, No Foam): clr / air / 70/36 (SS/SS) 3/4" IG											
	0.090	0.563	0.090					AIR	0.036(#3)	CL	P1-S	N,G,S
	U-Factor 0.31			SHGC (N / <1) 0.37 / 0.33				VT (N / <1) 0.54 / 0.48			CR	59
1434	142.294 / Opt 1 (INN Refo KS/LS, No Foam): 70/36 / arg / clr (SS/SS) 3/4" IG											
	0.090	0.563	0.090					ARG90	0.036(#2)	CL	P1-S	N,G,S
	U-Factor 0.27			SHGC (N / <1) 0.30 / 0.27				VT (N / <1) 0.54 / 0.48			CR	62
	142.294 / Opt 1 (INN Refo KS/LS, No Foam): clr / arg / 70/36 (SS/SS) 3/4" IG											
	0.090	0.563	0.090					ARG90	0.036(#3)	CL	P1-S	N,G,S
	U-Factor 0.27			SHGC (N / <1) 0.38 / 0.34				VT (N / <1) 0.54 / 0.48			CR	62
1435	142.294 / Opt 1 (INN Refo KS/LS, No Foam): 70/36 / air / clr (DS/DS) 3/4" IG											
	0.117	0.500	0.117					AIR	0.036(#2)	CL	P1-S	N,G,S
	U-Factor 0.31			SHGC (N / <1) 0.30 / 0.27				VT (N / <1) 0.53 / 0.47			CR	58
	142.294 / Opt 1 (INN Refo KS/LS, No Foam): clr / air / 70/36 (DS/DS) 3/4" IG											
	0.117	0.500	0.117					AIR	0.036(#3)	CL	P1-S	N,G,S
	U-Factor 0.31			SHGC (N / <1) 0.37 / 0.33				VT (N / <1) 0.53 / 0.47			CR	58
1436	142.294 / Opt 1 (INN Refo KS/LS, No Foam): 70/36 / arg / clr (DS/DS) 3/4" IG											
	0.117	0.500	0.117					ARG90	0.036(#2)	CL	P1-S	N,G,S
	U-Factor 0.27			SHGC (N / <1) 0.29 / 0.27				VT (N / <1) 0.53 / 0.47			CR	62
	142.294 / Opt 1 (INN Refo KS/LS, No Foam): clr / arg / 70/36 (DS/DS) 3/4" IG											
	0.117	0.500	0.117					ARG90	0.036(#3)	CL	P1-S	N,G,S
	U-Factor 0.27			SHGC (N / <1) 0.37 / 0.33				VT (N / <1) 0.53 / 0.47			CR	62
1437	142.294 / Opt 1 (INN Refo KS/LS, No Foam): lami / arg / 70/36 (DS 090 DS/DS) 3/4" IG											
	0.264	0.345	0.117					ARG90	0.036(#3)	CL	P1-S	N,S
	U-Factor 0.29			SHGC (N / <1) 0.35 / 0.32				VT (N / <1) 0.52 / 0.47			CR	59
	142.294 / Opt 1 (INN Refo KS/LS, No Foam): 70/36 / arg / lami (DS/DS 090 DS) 3/4" IG											
	0.117	0.345	0.264					ARG90	0.036(#2)	CL	P1-S	N,S
	U-Factor 0.29			SHGC (N / <1) 0.29 / 0.26				VT (N / <1) 0.52 / 0.47			CR	59

NFRC 100/200/500 Summary Sheet
Windgate/Belmont/Hawthorne 2-Lite Slider

ID	Pane Thickness 1	Gap Width 1	Pane Thickness 2	Gap Width 2	Pane Thickness 3	Gap Width 3	Pane Thickness 4	Gap Fill	Low-e (Surface#)	Tint	Spacer	Grid Type
	U-Factor			Solar Heat Gain Coefficient (SHGC) Grids (None / <1 / >=1)				Visible Transmittance (VT) Grids (None / <1 / >=1)			Condensation Resistance	
1438	142.294 / Opt 1 (INN Refo KS/LS, No Foam): lami / arg / 70/36 (DS 090 DS/DS) 3/4" IG											
	0.264	0.345	0.117					ARG90	0.036(#3)	CL	P1-S	G,S
	U-Factor 0.31			SHGC (<1) 0.32				VT (<1) 0.47			CR 59	
	142.294 / Opt 1 (INN Refo KS/LS, No Foam): 70/36 / arg / lami (DS/DS 090 DS) 3/4" IG											
	0.117	0.345	0.264					ARG90	0.036(#2)	CL	P1-S	G,S
	U-Factor 0.31			SHGC (<1) 0.26				VT (<1) 0.47			CR 59	
1439	142.294 / Opt 1 (INN Refo KS/LS, No Foam): 70/36 / arg / clr / arg / 70/36 (SS/SS/SS) 3/4" IG											
	0.090	0.250	0.090	0.250	0.090			ARG90	0.036(#2) / 0.036(#5)	CL	P1-S	N,S
	U-Factor 0.23			SHGC (N / <1) 0.26 / 0.23				VT (N / <1) 0.42 / 0.37			CR 68	
1440	142.294 / Opt 1 (INN Refo KS/LS, No Foam): 70/36 / arg / clr / arg / 70/36 (SS/SS/SS) 3/4" IG											
	0.090	0.250	0.090	0.250	0.090			ARG90	0.036(#2) / 0.036(#5)	CL	P1-S	G,S
	U-Factor 0.24			SHGC (<1) 0.23				VT (<1) 0.37			CR 68	
1441	142.294 / Opt 1 (INN Refo KS/LS, No Foam): 80/70 / air / clr (SS/SS) 3/4" IG											
	0.090	0.563	0.090					AIR	0.095(#2)	CL	P1-S	N,G,S
	U-Factor 0.32			SHGC (N / <1) 0.51 / 0.46				VT (N / <1) 0.62 / 0.55			CR 57	
	142.294 / Opt 1 (INN Refo KS/LS, No Foam): clr / air / 80/70 (SS/SS) 3/4" IG											
	0.090	0.563	0.090					AIR	0.095(#3)	CL	P1-S	N,G,S
	U-Factor 0.32			SHGC (N / <1) 0.54 / 0.49				VT (N / <1) 0.62 / 0.55			CR 57	
1442	142.294 / Opt 1 (INN Refo KS/LS, No Foam): 80/70 / arg / clr (SS/SS) 3/4" IG											
	0.090	0.563	0.090					ARG90	0.095(#2)	CL	P1-S	N,G,S
	U-Factor 0.29			SHGC (N / <1) 0.51 / 0.46				VT (N / <1) 0.62 / 0.55			CR 61	
	142.294 / Opt 1 (INN Refo KS/LS, No Foam): clr / arg / 80/70 (SS/SS) 3/4" IG											
	0.090	0.563	0.090					ARG90	0.095(#3)	CL	P1-S	N,G,S
	U-Factor 0.29			SHGC (N / <1) 0.54 / 0.49				VT (N / <1) 0.62 / 0.55			CR 61	
1443	142.294 / Opt 1 (INN Refo KS/LS, No Foam): 80/70 / air / clr (DS/DS) 3/4" IG											
	0.117	0.500	0.117					AIR	0.095(#2)	CL	P1-S	N,G,S
	U-Factor 0.32			SHGC (N / <1) 0.51 / 0.45				VT (N / <1) 0.61 / 0.55			CR 56	
	142.294 / Opt 1 (INN Refo KS/LS, No Foam): clr / air / 80/70 (DS/DS) 3/4" IG											
	0.117	0.500	0.117					AIR	0.095(#3)	CL	P1-S	N,G,S
	U-Factor 0.32			SHGC (N / <1) 0.53 / 0.48				VT (N / <1) 0.61 / 0.55			CR 56	

NFRC 100/200/500 Summary Sheet
Windgate/Belmont/Hawthorne 2-Lite Slider

ID	Pane Thickness 1	Gap Width 1	Pane Thickness 2	Gap Width 2	Pane Thickness 3	Gap Width 3	Pane Thickness 4	Gap Fill	Low-e (Surface#)	Tint	Spacer	Grid Type
	U-Factor			Solar Heat Gain Coefficient (SHGC) Grids (None / <1 / >=1)				Visible Transmittance (VT) Grids (None / <1 / >=1)			Condensation Resistance	
1444	142.294 / Opt 1 (INN Refo KS/LS, No Foam): 80/70 / arg / clr (DS/DS) 3/4" IG											
	0.117	0.500	0.117					ARG90	0.095(#2)	CL	P1-S	N,G,S
	U-Factor 0.29			SHGC (N / <1) 0.51 / 0.45				VT (N / <1) 0.61 / 0.55			CR	60
	142.294 / Opt 1 (INN Refo KS/LS, No Foam): clr / arg / 80/70 (DS/DS) 3/4" IG											
	0.117	0.500	0.117					ARG90	0.095(#3)	CL	P1-S	N,G,S
	U-Factor 0.29			SHGC (N / <1) 0.54 / 0.48				VT (N / <1) 0.61 / 0.55			CR	60
1445	142.294 / Opt 1 (INN Refo KS/LS, No Foam): lami / arg / 80/70 (DS 090 DS/DS) 3/4" IG											
	0.264	0.345	0.117					ARG90	0.095(#3)	CL	P1-S	N,S
	U-Factor 0.31			SHGC (N / <1) 0.49 / 0.44				VT (N / <1) 0.60 / 0.54			CR	58
	142.294 / Opt 1 (INN Refo KS/LS, No Foam): 80/70 / arg / lami (DS/DS 090 DS) 3/4" IG											
	0.117	0.345	0.264					ARG90	0.095(#2)	CL	P1-S	N,S
	U-Factor 0.31			SHGC (N / <1) 0.50 / 0.45				VT (N / <1) 0.60 / 0.54			CR	58
1446	142.294 / Opt 1 (INN Refo KS/LS, No Foam): lami / arg / 80/70 (DS 090 DS/DS) 3/4" IG											
	0.264	0.345	0.117					ARG90	0.095(#3)	CL	P1-S	G,S
	U-Factor 0.32			SHGC (<1) 0.44				VT (<1) 0.54			CR	58
	142.294 / Opt 1 (INN Refo KS/LS, No Foam): 80/70 / arg / lami (DS/DS 090 DS) 3/4" IG											
	0.117	0.345	0.264					ARG90	0.095(#2)	CL	P1-S	G,S
	U-Factor 0.32			SHGC (<1) 0.45				VT (<1) 0.54			CR	58
1447	142.294 / Opt 1 (INN Refo KS/LS, No Foam): 80/70 / arg / clr / arg / 80/70 (SS/SS/SS) 3/4" IG											
	0.090	0.250	0.090	0.250	0.090			ARG90	0.095(#2) / 0.095(#5)	CL	P1-S	N,S
	U-Factor 0.25			SHGC (N / <1) 0.45 / 0.41				VT (N / <1) 0.56 / 0.50			CR	67
1448	142.294 / Opt 1 (INN Refo KS/LS, No Foam): 80/70 / arg / clr / arg / 80/70 (SS/SS/SS) 3/4" IG											
	0.090	0.250	0.090	0.250	0.090			ARG90	0.095(#2) / 0.095(#5)	CL	P1-S	G,S
	U-Factor 0.25			SHGC (<1) 0.41				VT (<1) 0.50			CR	67
1449	142.294 / Opt 1 (INN Refo KS/LS, No Foam): clr / air / clr (SS/SS) 3/4" IG											
	0.087	0.563	0.087					AIR		CL	SS-D	N,G,S
	U-Factor 0.45			SHGC (N / <1) 0.61 / 0.54				VT (N / <1) 0.63 / 0.56			CR	44
1450	142.294 / Opt 1 (INN Refo KS/LS, No Foam): clr / air / clr (DS/DS) 3/4" IG											
	0.118	0.500	0.118					AIR		CL	SS-D	N,G,S
	U-Factor 0.45			SHGC (N / <1) 0.59 / 0.53				VT (N / <1) 0.62 / 0.56			CR	44

NFRC 100/200/500 Summary Sheet
Windgate/Belmont/Hawthorne 2-Lite Slider

ID	Pane Thickness 1	Gap Width 1	Pane Thickness 2	Gap Width 2	Pane Thickness 3	Gap Width 3	Pane Thickness 4	Gap Fill	Low-e (Surface#)	Tint	Spacer	Grid Type
	U-Factor			Solar Heat Gain Coefficient (SHGC) Grids (None / <1 / >=1)				Visible Transmittance (VT) Grids (None / <1 / >=1)			Condensation Resistance	
1451	142.294 / Opt 1 (INN Refo KS/LS, No Foam): clr / air / clr (5mm/DS) 3/4" IG											
	0.185	0.438	0.118					AIR		CL	SS-D	N,G,S
	U-Factor 0.46			SHGC (N / <1) 0.57 / 0.51				VT (N / <1) 0.62 / 0.55			CR 43	
1452	142.294 / Opt 1 (INN Refo KS/LS, No Foam): clr / air / clr (5mm/DS) 3/4" IG											
	0.185	0.438	0.118					AIR		CL	SS-D	G
	U-Factor 0.46			SHGC (<1) 0.51				VT (<1) 0.55			CR 43	
1453	142.294 / Opt 1 (INN Refo KS/LS, No Foam): lami / air / clr (DS 090 DS/DS) 3/4" IG											
	0.264	0.345	0.118					AIR		CL	SS-D	N,S
	U-Factor 0.47			SHGC (N / <1) 0.55 / 0.49				VT (N / <1) 0.61 / 0.55			CR 42	
	142.294 / Opt 1 (INN Refo KS/LS, No Foam): clr / air / lami (DS/DS 090 DS) 3/4" IG											
	0.118	0.345	0.264					AIR		CL	SS-D	N,S
	U-Factor 0.47			SHGC (N / <1) 0.57 / 0.51				VT (N / <1) 0.61 / 0.55			CR 42	
1454	142.294 / Opt 1 (INN Refo KS/LS, No Foam): lami / air / clr (DS 090 DS/DS) 3/4" IG											
	0.264	0.345	0.118					AIR		CL	SS-D	G,S
	U-Factor 0.48			SHGC (<1) 0.49				VT (<1) 0.55			CR 42	
	142.294 / Opt 1 (INN Refo KS/LS, No Foam): clr / air / lami (DS/DS 090 DS) 3/4" IG											
	0.118	0.345	0.264					AIR		CL	SS-D	G,S
	U-Factor 0.48			SHGC (<1) 0.51				VT (<1) 0.55			CR 42	
1455	142.294 / Opt 1 (INN Refo KS/LS, No Foam): clr / air / clr / air / clr (SS/SS/SS) 3/4" IG (P1-S)											
	0.087	0.250	0.087	0.250	0.087			AIR		CL	SS-D	N,S
	U-Factor 0.38			SHGC (N / <1) 0.55 / 0.49				VT (N / <1) 0.58 / 0.52			CR 52	
1456	142.294 / Opt 1 (INN Refo KS/LS, No Foam): clr / air / clr / air / clr (SS/SS/SS) 3/4" IG (P1-S)											
	0.087	0.250	0.087	0.250	0.087			AIR		CL	SS-D	G,S
	U-Factor 0.38			SHGC (<1) 0.49				VT (<1) 0.52			CR 52	
1457	142.294 / Opt 1 (INN Refo KS/LS, No Foam): E270 / air / clr (SS/SS) 3/4" IG											
	0.087	0.563	0.087					AIR	0.037(#2)	CL	SS-D	N,G,S
	U-Factor 0.32			SHGC (N / <1) 0.29 / 0.26				VT (N / <1) 0.54 / 0.48			CR 56	
	142.294 / Opt 1 (INN Refo KS/LS, No Foam): clr / air / E270 (SS/SS) 3/4" IG											
	0.087	0.563	0.087					AIR	0.037(#3)	CL	SS-D	N,G,S
	U-Factor 0.32			SHGC (N / <1) 0.35 / 0.32				VT (N / <1) 0.54 / 0.48			CR 56	

**NFRC 100/200/500 Summary Sheet
Windgate/Belmont/Hawthorne 2-Lite Slider**

ID	Pane Thickness 1	Gap Width 1	Pane Thickness 2	Gap Width 2	Pane Thickness 3	Gap Width 3	Pane Thickness 4	Gap Fill	Low-e (Surface#)	Tint	Spacer	Grid Type
	U-Factor			Solar Heat Gain Coefficient (SHGC) Grids (None / <1 / >=1)				Visible Transmittance (VT) Grids (None / <1 / >=1)			Condensation Resistance	
1458	142.294 / Opt 1 (INN Refo KS/LS, No Foam): E270 / arg / clr (SS/SS) 3/4" IG											
	0.087	0.563	0.087					ARG90	0.037(#2)	CL	SS-D	N,G,S
	U-Factor 0.29			SHGC (N / <1) 0.28 / 0.26				VT (N / <1) 0.54 / 0.48			CR	59
	142.294 / Opt 1 (INN Refo KS/LS, No Foam): clr / arg / E270 (SS/SS) 3/4" IG											
	0.087	0.563	0.087					ARG90	0.037(#3)	CL	SS-D	N,G,S
	U-Factor 0.29			SHGC (N / <1) 0.36 / 0.32				VT (N / <1) 0.54 / 0.48			CR	59
1459	142.294 / Opt 1 (INN Refo KS/LS, No Foam): E270 / air / clr (DS/DS) 3/4" IG											
	0.118	0.500	0.118					AIR	0.037(#2)	CL	SS-D	N,G,S
	U-Factor 0.32			SHGC (N / <1) 0.29 / 0.26				VT (N / <1) 0.53 / 0.47			CR	55
	142.294 / Opt 1 (INN Refo KS/LS, No Foam): clr / air / E270 (DS/DS) 3/4" IG											
	0.118	0.500	0.118					AIR	0.037(#3)	CL	SS-D	N,G,S
	U-Factor 0.32			SHGC (N / <1) 0.35 / 0.31				VT (N / <1) 0.53 / 0.47			CR	55
1460	142.294 / Opt 1 (INN Refo KS/LS, No Foam): E270 / arg / clr (DS/DS) 3/4" IG											
	0.118	0.500	0.118					ARG90	0.037(#2)	CL	SS-D	N,G,S
	U-Factor 0.28			SHGC (N / <1) 0.28 / 0.25				VT (N / <1) 0.53 / 0.47			CR	58
	142.294 / Opt 1 (INN Refo KS/LS, No Foam): clr / arg / E270 (DS/DS) 3/4" IG											
	0.118	0.500	0.118					ARG90	0.037(#3)	CL	SS-D	N,G,S
	U-Factor 0.28			SHGC (N / <1) 0.35 / 0.32				VT (N / <1) 0.53 / 0.47			CR	58
1461	142.294 / Opt 1 (INN Refo KS/LS, No Foam): lami / arg / E270 (DS 090 DS/DS) 3/4" IG											
	0.264	0.345	0.118					ARG90	0.037(#3)	CL	SS-D	N,S
	U-Factor 0.30			SHGC (N / <1) 0.33 / 0.30				VT (N / <1) 0.52 / 0.47			CR	56
	142.294 / Opt 1 (INN Refo KS/LS, No Foam): E270 / arg / lami (DS/DS 090 DS) 3/4" IG											
	0.118	0.345	0.264					ARG90	0.037(#2)	CL	SS-D	N,S
	U-Factor 0.30			SHGC (N / <1) 0.28 / 0.25				VT (N / <1) 0.52 / 0.47			CR	56
1462	142.294 / Opt 1 (INN Refo KS/LS, No Foam): lami / arg / E270 (DS 090 DS/DS) 3/4" IG											
	0.264	0.345	0.118					ARG90	0.037(#3)	CL	SS-D	G,S
	U-Factor 0.31			SHGC (<1) 0.30				VT (<1) 0.47			CR	56
	142.294 / Opt 1 (INN Refo KS/LS, No Foam): E270 / arg / lami (DS/DS 090 DS) 3/4" IG											
	0.118	0.345	0.264					ARG90	0.037(#2)	CL	SS-D	G,S
	U-Factor 0.31			SHGC (<1) 0.25				VT (<1) 0.47			CR	56

**NFRC 100/200/500 Summary Sheet
Windgate/Belmont/Hawthorne 2-Lite Slider**

ID	Pane Thickness 1	Gap Width 1	Pane Thickness 2	Gap Width 2	Pane Thickness 3	Gap Width 3	Pane Thickness 4	Gap Width 4	Gap Fill	Low-e (Surface#)	Tint	Spacer	Grid Type
	U-Factor			Solar Heat Gain Coefficient (SHGC) Grids (None / <1 / >=1)					Visible Transmittance (VT) Grids (None / <1 / >=1)			Condensation Resistance	
1463	142.294 / Opt 1 (INN Refo KS/LS, No Foam): E270 / arg / clr / arg / E270 (SS/SS/SS) 3/4" IG (SS-D)												
	0.087	0.266	0.087	0.266	0.087				ARG90	0.037(#2) / 0.037(#5)	CL	SS-D	N,S
	U-Factor 0.24			SHGC (N / <1) 0.24 / 0.22					VT (N / <1) 0.42 / 0.37			CR	66
1464	142.294 / Opt 1 (INN Refo KS/LS, No Foam): E270 / arg / clr / arg / E270 (SS/SS/SS) 3/4" IG (SS-D)												
	0.087	0.266	0.087	0.266	0.087				ARG90	0.037(#2) / 0.037(#5)	CL	SS-D	G,S
	U-Factor 0.24			SHGC (<1) 0.22					VT (<1) 0.37			CR	66
1465	142.294 / Opt 1 (INN Refo KS/LS, No Foam): E366 / air / clr (SS/SS) 3/4" IG												
	0.087	0.563	0.087						AIR	0.022(#2)	CL	SS-D	N,G,S
	U-Factor 0.32			SHGC (N / <1) 0.21 / 0.19					VT (N / <1) 0.50 / 0.44			CR	56
	142.294 / Opt 1 (INN Refo KS/LS, No Foam): clr / air / E366 (SS/SS) 3/4" IG												
	0.087	0.563	0.087						AIR	0.022(#3)	CL	SS-D	N,G,S
	U-Factor 0.32			SHGC (N / <1) 0.30 / 0.27					VT (N / <1) 0.50 / 0.44			CR	56
1466	142.294 / Opt 1 (INN Refo KS/LS, No Foam): E366 / arg / clr (SS/SS) 3/4" IG												
	0.087	0.563	0.087						ARG90	0.022(#2)	CL	SS-D	N,G,S
	U-Factor 0.28			SHGC (N / <1) 0.21 / 0.19					VT (N / <1) 0.50 / 0.44			CR	59
	142.294 / Opt 1 (INN Refo KS/LS, No Foam): clr / arg / E366 (SS/SS) 3/4" IG												
	0.087	0.563	0.087						ARG90	0.022(#3)	CL	SS-D	N,G,S
	U-Factor 0.28			SHGC (N / <1) 0.30 / 0.27					VT (N / <1) 0.50 / 0.44			CR	59
1467	142.294 / Opt 1 (INN Refo KS/LS, No Foam): E366 / air / clr (DS/DS) 3/4" IG												
	0.117	0.500	0.118						AIR	0.022(#2)	CL	SS-D	N,G,S
	U-Factor 0.31			SHGC (N / <1) 0.21 / 0.19					VT (N / <1) 0.49 / 0.44			CR	55
	142.294 / Opt 1 (INN Refo KS/LS, No Foam): clr / air / E366 (DS/DS) 3/4" IG												
	0.118	0.500	0.117						AIR	0.022(#3)	CL	SS-D	N,G,S
	U-Factor 0.31			SHGC (N / <1) 0.29 / 0.27					VT (N / <1) 0.49 / 0.44			CR	55
1468	142.294 / Opt 1 (INN Refo KS/LS, No Foam): E366 / arg / clr (DS/DS) 3/4" IG												
	0.117	0.500	0.118						ARG90	0.022(#2)	CL	SS-D	N,G,S
	U-Factor 0.28			SHGC (N / <1) 0.21 / 0.19					VT (N / <1) 0.49 / 0.44			CR	59
	142.294 / Opt 1 (INN Refo KS/LS, No Foam): clr / arg / E366 (DS/DS) 3/4" IG												
	0.118	0.500	0.117						ARG90	0.022(#3)	CL	SS-D	N,G,S
	U-Factor 0.28			SHGC (N / <1) 0.30 / 0.27					VT (N / <1) 0.49 / 0.44			CR	59

**NFRC 100/200/500 Summary Sheet
Windgate/Belmont/Hawthorne 2-Lite Slider**

ID	Pane Thickness 1	Gap Width 1	Pane Thickness 2	Gap Width 2	Pane Thickness 3	Gap Width 3	Pane Thickness 4	Gap Fill	Low-e (Surface#)	Tint	Spacer	Grid Type
	U-Factor			Solar Heat Gain Coefficient (SHGC) Grids (None / <1 / >=1)				Visible Transmittance (VT) Grids (None / <1 / >=1)			Condensation Resistance	
1469	142.294 / Opt 1 (INN Refo KS/LS, No Foam): lami / arg / E366 (DS 090 DS/DS) 3/4" IG											
	0.264	0.345	0.117					ARG90	0.022(#3)	CL	SS-D	N,S
	U-Factor 0.30			SHGC (N / <1) 0.29 / 0.26				VT (N / <1) 0.48 / 0.43			CR 56	
	142.294 / Opt 1 (INN Refo KS/LS, No Foam): E366 / arg / lami (DS/DS 090 DS) 3/4" IG											
	0.117	0.345	0.264					ARG90	0.022(#2)	CL	SS-D	N,S
	U-Factor 0.30			SHGC (N / <1) 0.21 / 0.19				VT (N / <1) 0.48 / 0.43			CR 56	
1470	142.294 / Opt 1 (INN Refo KS/LS, No Foam): lami / arg / E366 (DS 090 DS/DS) 3/4" IG											
	0.264	0.345	0.117					ARG90	0.022(#3)	CL	SS-D	G,S
	U-Factor 0.31			SHGC (<1) 0.26				VT (<1) 0.43			CR 56	
	142.294 / Opt 1 (INN Refo KS/LS, No Foam): E366 / arg / lami (DS/DS 090 DS) 3/4" IG											
	0.117	0.345	0.264					ARG90	0.022(#2)	CL	SS-D	G,S
	U-Factor 0.31			SHGC (<1) 0.19				VT (<1) 0.43			CR 56	
1471	142.294 / Opt 1 (INN Refo KS/LS, No Foam): E366 / arg / clr / arg / E366 (SS/SS/SS) 3/4" IG (SS-D)											
	0.087	0.266	0.087	0.266	0.087			ARG90	0.022(#2) / 0.022(#5)	CL	SS-D	N,S
	U-Factor 0.24			SHGC (N / <1) 0.19 / 0.17				VT (N / <1) 0.36 / 0.32			CR 66	
1472	142.294 / Opt 1 (INN Refo KS/LS, No Foam): E366 / arg / clr / arg / E366 (SS/SS/SS) 3/4" IG (SS-D)											
	0.087	0.266	0.087	0.266	0.087			ARG90	0.022(#2) / 0.022(#5)	CL	SS-D	G,S
	U-Factor 0.24			SHGC (<1) 0.17				VT (<1) 0.32			CR 66	
1473	142.294 / Opt 1 (INN Refo KS/LS, No Foam): clr / air / clr (SS/SS) 3/4" IG											
	0.087	0.563	0.087					AIR		CL	TS-D	N,G,S
	U-Factor 0.45			SHGC (N / <1) 0.61 / 0.54				VT (N / <1) 0.63 / 0.56			CR 44	
1474	142.294 / Opt 1 (INN Refo KS/LS, No Foam): clr / air / clr (DS/DS) 3/4" IG											
	0.118	0.500	0.118					AIR		CL	TS-D	N,G,S
	U-Factor 0.45			SHGC (N / <1) 0.59 / 0.53				VT (N / <1) 0.62 / 0.56			CR 43	
1475	142.294 / Opt 1 (INN Refo KS/LS, No Foam): clr / air / clr (5mm/DS) 3/4" IG											
	0.185	0.438	0.118					AIR		CL	TS-D	N,G,S
	U-Factor 0.46			SHGC (N / <1) 0.57 / 0.51				VT (N / <1) 0.62 / 0.55			CR 43	
1476	142.294 / Opt 1 (INN Refo KS/LS, No Foam): clr / air / clr (5mm/DS) 3/4" IG											
	0.185	0.438	0.118					AIR		CL	TS-D	G
	U-Factor 0.46			SHGC (<1) 0.51				VT (<1) 0.55			CR 43	

**NFRC 100/200/500 Summary Sheet
Windgate/Belmont/Hawthorne 2-Lite Slider**

ID	Pane Thickness 1	Gap Width 1	Pane Thickness 2	Gap Width 2	Pane Thickness 3	Gap Width 3	Pane Thickness 4	Gap Fill	Low-e (Surface#)	Tint	Spacer	Grid Type
	U-Factor			Solar Heat Gain Coefficient (SHGC) Grids (None / <1 / >=1)				Visible Transmittance (VT) Grids (None / <1 / >=1)			Condensation Resistance	
1477	142.294 / Opt 1 (INN Refo KS/LS, No Foam): lami / air / clr (DS 090 DS/DS) 3/4" IG											
	0.264	0.345	0.118					AIR		CL	TS-D	N,S
	U-Factor 0.47			SHGC (N / <1) 0.55 / 0.49				VT (N / <1) 0.61 / 0.55			CR 42	
	142.294 / Opt 1 (INN Refo KS/LS, No Foam): clr / air / lami (DS/DS 090 DS) 3/4" IG											
	0.118	0.345	0.264					AIR		CL	TS-D	N,S
	U-Factor 0.47			SHGC (N / <1) 0.57 / 0.51				VT (N / <1) 0.61 / 0.55			CR 42	
1478	142.294 / Opt 1 (INN Refo KS/LS, No Foam): lami / air / clr (DS 090 DS/DS) 3/4" IG											
	0.264	0.345	0.118					AIR		CL	TS-D	G,S
	U-Factor 0.48			SHGC (<1) 0.49				VT (<1) 0.55			CR 42	
	142.294 / Opt 1 (INN Refo KS/LS, No Foam): clr / air / lami (DS/DS 090 DS) 3/4" IG											
	0.118	0.345	0.264					AIR		CL	TS-D	G,S
	U-Factor 0.48			SHGC (<1) 0.51				VT (<1) 0.55			CR 42	
1479	142.294 / Opt 1 (INN Refo KS/LS, No Foam): clr / air / clr / air / clr (SS/SS/SS) 3/4" IG (P1-S)											
	0.087	0.250	0.087	0.250	0.087			AIR		CL	TS-D	N,S
	U-Factor 0.38			SHGC (N / <1) 0.55 / 0.49				VT (N / <1) 0.58 / 0.52			CR 51	
1480	142.294 / Opt 1 (INN Refo KS/LS, No Foam): clr / air / clr / air / clr (SS/SS/SS) 3/4" IG (P1-S)											
	0.087	0.250	0.087	0.250	0.087			AIR		CL	TS-D	G,S
	U-Factor 0.39			SHGC (<1) 0.49				VT (<1) 0.52			CR 51	
1481	142.294 / Opt 1 (INN Refo KS/LS, No Foam): 70/36 / air / clr (SS/SS) 3/4" IG											
	0.090	0.563	0.090					AIR	0.036(#2)	CL	TS-D	N,G,S
	U-Factor 0.32			SHGC (N / <1) 0.30 / 0.27				VT (N / <1) 0.54 / 0.48			CR 55	
	142.294 / Opt 1 (INN Refo KS/LS, No Foam): clr / air / 70/36 (SS/SS) 3/4" IG											
	0.090	0.563	0.090					AIR	0.036(#3)	CL	TS-D	N,G,S
	U-Factor 0.32			SHGC (N / <1) 0.37 / 0.33				VT (N / <1) 0.54 / 0.48			CR 55	
1482	142.294 / Opt 1 (INN Refo KS/LS, No Foam): 70/36 / arg / clr (SS/SS) 3/4" IG											
	0.090	0.563	0.090					ARG90	0.036(#2)	CL	TS-D	N,G,S
	U-Factor 0.29			SHGC (N / <1) 0.30 / 0.27				VT (N / <1) 0.54 / 0.48			CR 58	
	142.294 / Opt 1 (INN Refo KS/LS, No Foam): clr / arg / 70/36 (SS/SS) 3/4" IG											
	0.090	0.563	0.090					ARG90	0.036(#3)	CL	TS-D	N,G,S
	U-Factor 0.29			SHGC (N / <1) 0.38 / 0.34				VT (N / <1) 0.54 / 0.48			CR 58	

**NFRC 100/200/500 Summary Sheet
Windgate/Belmont/Hawthorne 2-Lite Slider**

ID	Pane Thickness 1	Gap Width 1	Pane Thickness 2	Gap Width 2	Pane Thickness 3	Gap Width 3	Pane Thickness 4	Gap Fill	Low-e (Surface#)	Tint	Spacer	Grid Type
	U-Factor			Solar Heat Gain Coefficient (SHGC) Grids (None / <1 / >=1)				Visible Transmittance (VT) Grids (None / <1 / >=1)			Condensation Resistance	
1483	142.294 / Opt 1 (INN Refo KS/LS, No Foam): 70/36 / air / clr (DS/DS) 3/4" IG											
	0.117	0.500	0.117					AIR	0.036(#2)	CL	TS-D	N,G,S
	U-Factor 0.32			SHGC (N / <1) 0.30 / 0.27				VT (N / <1) 0.53 / 0.47			CR	53
	142.294 / Opt 1 (INN Refo KS/LS, No Foam): clr / air / 70/36 (DS/DS) 3/4" IG											
	0.117	0.500	0.117					AIR	0.036(#3)	CL	TS-D	N,G,S
	U-Factor 0.32			SHGC (N / <1) 0.37 / 0.33				VT (N / <1) 0.53 / 0.47			CR	53
1484	142.294 / Opt 1 (INN Refo KS/LS, No Foam): 70/36 / arg / clr (DS/DS) 3/4" IG											
	0.117	0.500	0.117					ARG90	0.036(#2)	CL	TS-D	N,G,S
	U-Factor 0.29			SHGC (N / <1) 0.29 / 0.27				VT (N / <1) 0.53 / 0.47			CR	56
	142.294 / Opt 1 (INN Refo KS/LS, No Foam): clr / arg / 70/36 (DS/DS) 3/4" IG											
	0.117	0.500	0.117					ARG90	0.036(#3)	CL	TS-D	N,G,S
	U-Factor 0.29			SHGC (N / <1) 0.37 / 0.33				VT (N / <1) 0.53 / 0.47			CR	56
1485	142.294 / Opt 1 (INN Refo KS/LS, No Foam): lami / arg / 70/36 (DS 090 DS/DS) 3/4" IG											
	0.264	0.345	0.117					ARG90	0.036(#3)	CL	TS-D	N,S
	U-Factor 0.30			SHGC (N / <1) 0.35 / 0.32				VT (N / <1) 0.52 / 0.47			CR	55
	142.294 / Opt 1 (INN Refo KS/LS, No Foam): 70/36 / arg / lami (DS/DS 090 DS) 3/4" IG											
	0.117	0.345	0.264					ARG90	0.036(#2)	CL	TS-D	N,S
	U-Factor 0.30			SHGC (N / <1) 0.29 / 0.26				VT (N / <1) 0.52 / 0.47			CR	55
1486	142.294 / Opt 1 (INN Refo KS/LS, No Foam): lami / arg / 70/36 (DS 090 DS/DS) 3/4" IG											
	0.264	0.345	0.117					ARG90	0.036(#3)	CL	TS-D	G,S
	U-Factor 0.32			SHGC (<1) 0.32				VT (<1) 0.47			CR	55
	142.294 / Opt 1 (INN Refo KS/LS, No Foam): 70/36 / arg / lami (DS/DS 090 DS) 3/4" IG											
	0.117	0.345	0.264					ARG90	0.036(#2)	CL	TS-D	G,S
	U-Factor 0.32			SHGC (<1) 0.26				VT (<1) 0.47			CR	55
1487	142.294 / Opt 1 (INN Refo KS/LS, No Foam): 70/36 / arg / clr / arg / 70/36 (SS/SS/SS) 3/4" IG											
	0.090	0.250	0.090	0.250	0.090			ARG90	0.036(#2) / 0.036(#5)	CL	TS-D	N,S
	U-Factor 0.25			SHGC (N / <1) 0.26 / 0.23				VT (N / <1) 0.42 / 0.37			CR	63
1488	142.294 / Opt 1 (INN Refo KS/LS, No Foam): 70/36 / arg / clr / arg / 70/36 (SS/SS/SS) 3/4" IG											
	0.090	0.250	0.090	0.250	0.090			ARG90	0.036(#2) / 0.036(#5)	CL	TS-D	G,S
	U-Factor 0.26			SHGC (<1) 0.23				VT (<1) 0.37			CR	63

NFRC 100/200/500 Summary Sheet
Windgate/Belmont/Hawthorne 2-Lite Slider

ID	Pane Thickness 1	Gap Width 1	Pane Thickness 2	Gap Width 2	Pane Thickness 3	Gap Width 3	Pane Thickness 4	Gap Fill	Low-e (Surface#)	Tint	Spacer	Grid Type
	U-Factor			Solar Heat Gain Coefficient (SHGC) Grids (None / <1 / >=1)				Visible Transmittance (VT) Grids (None / <1 / >=1)			Condensation Resistance	
1489	142.294 / Opt 1 (INN Refo KS/LS, No Foam): 80/70 / air / clr (SS/SS) 3/4" IG											
	0.090	0.563	0.090					AIR	0.095(#2)	CL	TS-D	N,G,S
	U-Factor 0.34			SHGC (N / <1) 0.51 / 0.46				VT (N / <1) 0.62 / 0.55			CR 53	
	142.294 / Opt 1 (INN Refo KS/LS, No Foam): clr / air / 80/70 (SS/SS) 3/4" IG											
	0.090	0.563	0.090					AIR	0.095(#3)	CL	TS-D	N,G,S
	U-Factor 0.34			SHGC (N / <1) 0.54 / 0.49				VT (N / <1) 0.62 / 0.55			CR 53	
1490	142.294 / Opt 1 (INN Refo KS/LS, No Foam): 80/70 / arg / clr (SS/SS) 3/4" IG											
	0.090	0.563	0.090					ARG90	0.095(#2)	CL	TS-D	N,G,S
	U-Factor 0.30			SHGC (N / <1) 0.51 / 0.46				VT (N / <1) 0.62 / 0.55			CR 56	
	142.294 / Opt 1 (INN Refo KS/LS, No Foam): clr / arg / 80/70 (SS/SS) 3/4" IG											
	0.090	0.563	0.090					ARG90	0.095(#3)	CL	TS-D	N,G,S
	U-Factor 0.30			SHGC (N / <1) 0.54 / 0.49				VT (N / <1) 0.62 / 0.55			CR 56	
1491	142.294 / Opt 1 (INN Refo KS/LS, No Foam): 80/70 / air / clr (DS/DS) 3/4" IG											
	0.117	0.500	0.117					AIR	0.095(#2)	CL	TS-D	N,G,S
	U-Factor 0.33			SHGC (N / <1) 0.51 / 0.45				VT (N / <1) 0.61 / 0.55			CR 52	
	142.294 / Opt 1 (INN Refo KS/LS, No Foam): clr / air / 80/70 (DS/DS) 3/4" IG											
	0.117	0.500	0.117					AIR	0.095(#3)	CL	TS-D	N,G,S
	U-Factor 0.33			SHGC (N / <1) 0.53 / 0.48				VT (N / <1) 0.61 / 0.55			CR 52	
1492	142.294 / Opt 1 (INN Refo KS/LS, No Foam): 80/70 / arg / clr (DS/DS) 3/4" IG											
	0.117	0.500	0.117					ARG90	0.095(#2)	CL	TS-D	N,G,S
	U-Factor 0.30			SHGC (N / <1) 0.51 / 0.45				VT (N / <1) 0.61 / 0.55			CR 55	
	142.294 / Opt 1 (INN Refo KS/LS, No Foam): clr / arg / 80/70 (DS/DS) 3/4" IG											
	0.117	0.500	0.117					ARG90	0.095(#3)	CL	TS-D	N,G,S
	U-Factor 0.30			SHGC (N / <1) 0.54 / 0.48				VT (N / <1) 0.61 / 0.55			CR 55	
1493	142.294 / Opt 1 (INN Refo KS/LS, No Foam): lami / arg / 80/70 (DS 090 DS/DS) 3/4" IG											
	0.264	0.345	0.117					ARG90	0.095(#3)	CL	TS-D	N,S
	U-Factor 0.32			SHGC (N / <1) 0.49 / 0.44				VT (N / <1) 0.60 / 0.54			CR 54	
	142.294 / Opt 1 (INN Refo KS/LS, No Foam): 80/70 / arg / lami (DS/DS 090 DS) 3/4" IG											
	0.117	0.345	0.264					ARG90	0.095(#2)	CL	TS-D	N,S
	U-Factor 0.32			SHGC (N / <1) 0.50 / 0.45				VT (N / <1) 0.60 / 0.54			CR 54	

NFRC 100/200/500 Summary Sheet
Windgate/Belmont/Hawthorne 2-Lite Slider

ID	Pane Thickness 1	Gap Width 1	Pane Thickness 2	Gap Width 2	Pane Thickness 3	Gap Width 3	Pane Thickness 4	Gap Fill	Low-e (Surface#)	Tint	Spacer	Grid Type
	U-Factor			Solar Heat Gain Coefficient (SHGC) Grids (None / <1 / >=1)				Visible Transmittance (VT) Grids (None / <1 / >=1)			Condensation Resistance	
1494	142.294 / Opt 1 (INN Refo KS/LS, No Foam): lami / arg / 80/70 (DS 090 DS/DS) 3/4" IG											
	0.264	0.345	0.117					ARG90	0.095(#3)	CL	TS-D	G,S
	U-Factor 0.33			SHGC (<1) 0.44				VT (<1) 0.54			CR	54
	142.294 / Opt 1 (INN Refo KS/LS, No Foam): 80/70 / arg / lami (DS/DS 090 DS) 3/4" IG											
	0.117	0.345	0.264					ARG90	0.095(#2)	CL	TS-D	G,S
	U-Factor 0.33			SHGC (<1) 0.45				VT (<1) 0.54			CR	54
1495	142.294 / Opt 1 (INN Refo KS/LS, No Foam): 80/70 / arg / clr / arg / 80/70 (SS/SS/SS) 3/4" IG											
	0.090	0.250	0.090	0.250	0.090			ARG90	0.095(#2) / 0.095(#5)	CL	TS-D	N,S
	U-Factor 0.26			SHGC (N / <1) 0.45 / 0.41				VT (N / <1) 0.56 / 0.50			CR	62
1496	142.294 / Opt 1 (INN Refo KS/LS, No Foam): 80/70 / arg / clr / arg / 80/70 (SS/SS/SS) 3/4" IG											
	0.090	0.250	0.090	0.250	0.090			ARG90	0.095(#2) / 0.095(#5)	CL	TS-D	G,S
	U-Factor 0.27			SHGC (<1) 0.41				VT (<1) 0.50			CR	62
1497	142.294 / Opt 2 (INN Refo KS/LS/S, No Foam): clr / air / clr (SS/SS) 3/4" IG											
	0.087	0.563	0.087					AIR		CL	P1-S	N,G,S
	U-Factor 0.45			SHGC (N / <1) 0.61 / 0.54				VT (N / <1) 0.63 / 0.56			CR	46
1498	142.294 / Opt 2 (INN Refo KS/LS/S, No Foam): clr / air / clr (DS/DS) 3/4" IG											
	0.118	0.500	0.118					AIR		CL	P1-S	N,G,S
	U-Factor 0.45			SHGC (N / <1) 0.59 / 0.53				VT (N / <1) 0.62 / 0.56			CR	45
1499	142.294 / Opt 2 (INN Refo KS/LS/S, No Foam): clr / air / clr (5mm/DS) 3/4" IG											
	0.185	0.438	0.118					AIR		CL	P1-S	N,G,S
	U-Factor 0.45			SHGC (N / <1) 0.57 / 0.51				VT (N / <1) 0.62 / 0.55			CR	45
1500	142.294 / Opt 2 (INN Refo KS/LS/S, No Foam): clr / air / clr (5mm/DS) 3/4" IG											
	0.185	0.438	0.118					AIR		CL	P1-S	G
	U-Factor 0.45			SHGC (<1) 0.51				VT (<1) 0.55			CR	45
1501	142.294 / Opt 2 (INN Refo KS/LS/S, No Foam): lami / air / clr (DS 090 DS/DS) 3/4" IG											
	0.264	0.345	0.118					AIR		CL	P1-S	N,S
	U-Factor 0.46			SHGC (N / <1) 0.55 / 0.49				VT (N / <1) 0.61 / 0.55			CR	44
	142.294 / Opt 2 (INN Refo KS/LS/S, No Foam): clr / air / lami (DS/DS 090 DS) 3/4" IG											
	0.118	0.345	0.264					AIR		CL	P1-S	N,S
	U-Factor 0.46			SHGC (N / <1) 0.57 / 0.51				VT (N / <1) 0.61 / 0.55			CR	44

**NFRC 100/200/500 Summary Sheet
Windgate/Belmont/Hawthorne 2-Lite Slider**

ID	Pane Thickness 1	Gap Width 1	Pane Thickness 2	Gap Width 2	Pane Thickness 3	Gap Width 3	Pane Thickness 4	Gap Fill	Low-e (Surface#)	Tint	Spacer	Grid Type
	U-Factor			Solar Heat Gain Coefficient (SHGC) Grids (None / <1 / >=1)				Visible Transmittance (VT) Grids (None / <1 / >=1)			Condensation Resistance	
1502	142.294 / Opt 2 (INN Refo KS/LS/S, No Foam): lami / air / clr (DS 090 DS/DS) 3/4" IG											
	0.264	0.345	0.118					AIR		CL	P1-S	G,S
	U-Factor 0.47			SHGC (<1) 0.49				VT (<1) 0.55			CR 44	
	142.294 / Opt 2 (INN Refo KS/LS/S, No Foam): clr / air / lami (DS/DS 090 DS) 3/4" IG											
	0.118	0.345	0.264					AIR		CL	P1-S	G,S
	U-Factor 0.47			SHGC (<1) 0.51				VT (<1) 0.55			CR 44	
1503	142.294 / Opt 2 (INN Refo KS/LS/S, No Foam): clr / air / clr / air / clr (SS/SS/SS) 3/4" IG (P1-S)											
	0.087	0.250	0.087	0.250	0.087			AIR		CL	P1-S	N,S
	U-Factor 0.37			SHGC (N / <1) 0.55 / 0.49				VT (N / <1) 0.58 / 0.52			CR 53	
1504	142.294 / Opt 2 (INN Refo KS/LS/S, No Foam): clr / air / clr / air / clr (SS/SS/SS) 3/4" IG (P1-S)											
	0.087	0.250	0.087	0.250	0.087			AIR		CL	P1-S	G,S
	U-Factor 0.38			SHGC (<1) 0.49				VT (<1) 0.52			CR 53	
1505	142.294 / Opt 2 (INN Refo KS/LS/S, No Foam): E270 / air / clr (SS/SS) 3/4" IG											
	0.087	0.563	0.087					AIR	0.037(#2)	CL	P1-S	N,G,S
	U-Factor 0.31			SHGC (N / <1) 0.29 / 0.26				VT (N / <1) 0.54 / 0.48			CR 59	
	142.294 / Opt 2 (INN Refo KS/LS/S, No Foam): clr / air / E270 (SS/SS) 3/4" IG											
	0.087	0.563	0.087					AIR	0.037(#3)	CL	P1-S	N,G,S
	U-Factor 0.31			SHGC (N / <1) 0.35 / 0.32				VT (N / <1) 0.54 / 0.48			CR 59	
1506	142.294 / Opt 2 (INN Refo KS/LS/S, No Foam): E270 / arg / clr (SS/SS) 3/4" IG											
	0.087	0.563	0.087					ARG90	0.037(#2)	CL	P1-S	N,G,S
	U-Factor 0.28			SHGC (N / <1) 0.28 / 0.26				VT (N / <1) 0.54 / 0.48			CR 62	
	142.294 / Opt 2 (INN Refo KS/LS/S, No Foam): clr / arg / E270 (SS/SS) 3/4" IG											
	0.087	0.563	0.087					ARG90	0.037(#3)	CL	P1-S	N,G,S
	U-Factor 0.28			SHGC (N / <1) 0.36 / 0.32				VT (N / <1) 0.54 / 0.48			CR 62	
1507	142.294 / Opt 2 (INN Refo KS/LS/S, No Foam): E270 / air / clr (DS/DS) 3/4" IG											
	0.118	0.500	0.118					AIR	0.037(#2)	CL	P1-S	N,G,S
	U-Factor 0.31			SHGC (N / <1) 0.29 / 0.26				VT (N / <1) 0.53 / 0.47			CR 58	
	142.294 / Opt 2 (INN Refo KS/LS/S, No Foam): clr / air / E270 (DS/DS) 3/4" IG											
	0.118	0.500	0.118					AIR	0.037(#3)	CL	P1-S	N,G,S
	U-Factor 0.31			SHGC (N / <1) 0.35 / 0.31				VT (N / <1) 0.53 / 0.47			CR 58	

NFRC 100/200/500 Summary Sheet
Windgate/Belmont/Hawthorne 2-Lite Slider

ID	Pane Thickness 1	Gap Width 1	Pane Thickness 2	Gap Width 2	Pane Thickness 3	Gap Width 3	Pane Thickness 4	Gap Fill	Low-e (Surface#)	Tint	Spacer	Grid Type
	U-Factor			Solar Heat Gain Coefficient (SHGC) Grids (None / <1 / >=1)				Visible Transmittance (VT) Grids (None / <1 / >=1)			Condensation Resistance	
1508	142.294 / Opt 2 (INN Refo KS/LS/S, No Foam): E270 / arg / clr (DS/DS) 3/4" IG											
	0.118	0.500	0.118					ARG90	0.037(#2)	CL	P1-S	N,G,S
	U-Factor 0.27			SHGC (N / <1) 0.28 / 0.25				VT (N / <1) 0.53 / 0.47			CR 62	
	142.294 / Opt 2 (INN Refo KS/LS/S, No Foam): clr / arg / E270 (DS/DS) 3/4" IG											
	0.118	0.500	0.118					ARG90	0.037(#3)	CL	P1-S	N,G,S
	U-Factor 0.27			SHGC (N / <1) 0.35 / 0.32				VT (N / <1) 0.53 / 0.47			CR 62	
1509	142.294 / Opt 2 (INN Refo KS/LS/S, No Foam): lami / arg / E270 (DS 090 DS/DS) 3/4" IG											
	0.264	0.345	0.118					ARG90	0.037(#3)	CL	P1-S	N,S
	U-Factor 0.29			SHGC (N / <1) 0.33 / 0.30				VT (N / <1) 0.52 / 0.47			CR 59	
	142.294 / Opt 2 (INN Refo KS/LS/S, No Foam): E270 / arg / lami (DS/DS 090 DS) 3/4" IG											
	0.118	0.345	0.264					ARG90	0.037(#2)	CL	P1-S	N,S
	U-Factor 0.29			SHGC (N / <1) 0.28 / 0.25				VT (N / <1) 0.52 / 0.47			CR 59	
1510	142.294 / Opt 2 (INN Refo KS/LS/S, No Foam): lami / arg / E270 (DS 090 DS/DS) 3/4" IG											
	0.264	0.345	0.118					ARG90	0.037(#3)	CL	P1-S	G,S
	U-Factor 0.31			SHGC (<1) 0.30				VT (<1) 0.47			CR 59	
	142.294 / Opt 2 (INN Refo KS/LS/S, No Foam): E270 / arg / lami (DS/DS 090 DS) 3/4" IG											
	0.118	0.345	0.264					ARG90	0.037(#2)	CL	P1-S	G,S
	U-Factor 0.31			SHGC (<1) 0.25				VT (<1) 0.47			CR 59	
1511	142.294 / Opt 2 (INN Refo KS/LS/S, No Foam): E270 / arg / clr / arg / E270 (SS/SS/SS) 3/4" IG (P1-S)											
	0.087	0.250	0.087	0.250	0.087			ARG90	0.037(#2) / 0.037(#5)	CL	P1-S	N,S
	U-Factor 0.24			SHGC (N / <1) 0.24 / 0.22				VT (N / <1) 0.42 / 0.37			CR 68	
1512	142.294 / Opt 2 (INN Refo KS/LS/S, No Foam): E270 / arg / clr / arg / E270 (SS/SS/SS) 3/4" IG (P1-S)											
	0.087	0.250	0.087	0.250	0.087			ARG90	0.037(#2) / 0.037(#5)	CL	P1-S	G,S
	U-Factor 0.24			SHGC (<1) 0.22				VT (<1) 0.37			CR 68	
1513	142.294 / Opt 2 (INN Refo KS/LS/S, No Foam): E366 / air / clr (SS/SS) 3/4" IG											
	0.087	0.563	0.087					AIR	0.022(#2)	CL	P1-S	N,G,S
	U-Factor 0.31			SHGC (N / <1) 0.21 / 0.19				VT (N / <1) 0.50 / 0.44			CR 59	
	142.294 / Opt 2 (INN Refo KS/LS/S, No Foam): clr / air / E366 (SS/SS) 3/4" IG											
	0.087	0.563	0.087					AIR	0.022(#3)	CL	P1-S	N,G,S
	U-Factor 0.31			SHGC (N / <1) 0.30 / 0.27				VT (N / <1) 0.50 / 0.44			CR 59	

**NFRC 100/200/500 Summary Sheet
Windgate/Belmont/Hawthorne 2-Lite Slider**

ID	Pane Thickness 1	Gap Width 1	Pane Thickness 2	Gap Width 2	Pane Thickness 3	Gap Width 3	Pane Thickness 4	Gap Fill	Low-e (Surface#)	Tint	Spacer	Grid Type
	U-Factor			Solar Heat Gain Coefficient (SHGC) Grids (None / <1 / >=1)				Visible Transmittance (VT) Grids (None / <1 / >=1)			Condensation Resistance	
1514	142.294 / Opt 2 (INN Refo KS/LS/S, No Foam): E366 / arg / clr (SS/SS) 3/4" IG											
	0.087	0.563	0.087					ARG90	0.022(#2)	CL	P1-S	N,G,S
	U-Factor 0.27			SHGC (N / <1) 0.21 / 0.19				VT (N / <1) 0.50 / 0.44			CR 63	
	142.294 / Opt 2 (INN Refo KS/LS/S, No Foam): clr / arg / E366 (SS/SS) 3/4" IG											
	0.087	0.563	0.087					ARG90	0.022(#3)	CL	P1-S	N,G,S
	U-Factor 0.27			SHGC (N / <1) 0.30 / 0.27				VT (N / <1) 0.50 / 0.44			CR 63	
1515	142.294 / Opt 2 (INN Refo KS/LS/S, No Foam): E366 / air / clr (DS/DS) 3/4" IG											
	0.117	0.500	0.118					AIR	0.022(#2)	CL	P1-S	N,G,S
	U-Factor 0.30			SHGC (N / <1) 0.21 / 0.19				VT (N / <1) 0.49 / 0.44			CR 58	
	142.294 / Opt 2 (INN Refo KS/LS/S, No Foam): clr / air / E366 (DS/DS) 3/4" IG											
	0.118	0.500	0.117					AIR	0.022(#3)	CL	P1-S	N,G,S
	U-Factor 0.30			SHGC (N / <1) 0.29 / 0.27				VT (N / <1) 0.49 / 0.44			CR 58	
1516	142.294 / Opt 2 (INN Refo KS/LS/S, No Foam): E366 / arg / clr (DS/DS) 3/4" IG											
	0.117	0.500	0.118					ARG90	0.022(#2)	CL	P1-S	N,G,S
	U-Factor 0.27			SHGC (N / <1) 0.21 / 0.19				VT (N / <1) 0.49 / 0.44			CR 62	
	142.294 / Opt 2 (INN Refo KS/LS/S, No Foam): clr / arg / E366 (DS/DS) 3/4" IG											
	0.118	0.500	0.117					ARG90	0.022(#3)	CL	P1-S	N,G,S
	U-Factor 0.27			SHGC (N / <1) 0.30 / 0.27				VT (N / <1) 0.49 / 0.44			CR 62	
1517	142.294 / Opt 2 (INN Refo KS/LS/S, No Foam): lami / arg / E366 (DS 090 DS/DS) 3/4" IG											
	0.264	0.345	0.117					ARG90	0.022(#3)	CL	P1-S	N,S
	U-Factor 0.29			SHGC (N / <1) 0.29 / 0.26				VT (N / <1) 0.48 / 0.43			CR 60	
	142.294 / Opt 2 (INN Refo KS/LS/S, No Foam): E366 / arg / lami (DS/DS 090 DS) 3/4" IG											
	0.117	0.345	0.264					ARG90	0.022(#2)	CL	P1-S	N,S
	U-Factor 0.29			SHGC (N / <1) 0.21 / 0.19				VT (N / <1) 0.48 / 0.43			CR 60	
1518	142.294 / Opt 2 (INN Refo KS/LS/S, No Foam): lami / arg / E366 (DS 090 DS/DS) 3/4" IG											
	0.264	0.345	0.117					ARG90	0.022(#3)	CL	P1-S	G,S
	U-Factor 0.30			SHGC (<1) 0.26				VT (<1) 0.43			CR 60	
	142.294 / Opt 2 (INN Refo KS/LS/S, No Foam): E366 / arg / lami (DS/DS 090 DS) 3/4" IG											
	0.117	0.345	0.264					ARG90	0.022(#2)	CL	P1-S	G,S
	U-Factor 0.30			SHGC (<1) 0.19				VT (<1) 0.43			CR 60	

NFRC 100/200/500 Summary Sheet
Windgate/Belmont/Hawthorne 2-Lite Slider

ID	Pane Thickness 1	Gap Width 1	Pane Thickness 2	Gap Width 2	Pane Thickness 3	Gap Width 3	Pane Thickness 4	Gap Fill	Low-e (Surface#)	Tint	Spacer	Grid Type
	U-Factor			Solar Heat Gain Coefficient (SHGC) Grids (None / <1 / >=1)				Visible Transmittance (VT) Grids (None / <1 / >=1)			Condensation Resistance	
1519	142.294 / Opt 2 (INN Refo KS/LS/S, No Foam): E366 / arg / clr / arg / E366 (SS/SS/SS) 3/4" IG (P1-S)											
	0.087	0.250	0.087	0.250	0.087			ARG90	0.022(#2) / 0.022(#5)	CL	P1-S	N,S
	U-Factor 0.23			SHGC (N / <1) 0.19 / 0.17				VT (N / <1) 0.36 / 0.32			CR 68	
1520	142.294 / Opt 2 (INN Refo KS/LS/S, No Foam): E366 / arg / clr / arg / E366 (SS/SS/SS) 3/4" IG (P1-S)											
	0.087	0.250	0.087	0.250	0.087			ARG90	0.022(#2) / 0.022(#5)	CL	P1-S	G,S
	U-Factor 0.24			SHGC (<1) 0.17				VT (<1) 0.32			CR 68	
1521	142.294 / Opt 2 (INN Refo KS/LS/S, No Foam): 70/36 / air / clr (SS/SS) 3/4" IG											
	0.090	0.563	0.090					AIR	0.036(#2)	CL	P1-S	N,G,S
	U-Factor 0.31			SHGC (N / <1) 0.30 / 0.27				VT (N / <1) 0.54 / 0.48			CR 59	
	142.294 / Opt 2 (INN Refo KS/LS/S, No Foam): clr / air / 70/36 (SS/SS) 3/4" IG											
	0.090	0.563	0.090					AIR	0.036(#3)	CL	P1-S	N,G,S
	U-Factor 0.31			SHGC (N / <1) 0.37 / 0.33				VT (N / <1) 0.54 / 0.48			CR 59	
1522	142.294 / Opt 2 (INN Refo KS/LS/S, No Foam): 70/36 / arg / clr (SS/SS) 3/4" IG											
	0.090	0.563	0.090					ARG90	0.036(#2)	CL	P1-S	N,G,S
	U-Factor 0.27			SHGC (N / <1) 0.30 / 0.27				VT (N / <1) 0.54 / 0.48			CR 62	
	142.294 / Opt 2 (INN Refo KS/LS/S, No Foam): clr / arg / 70/36 (SS/SS) 3/4" IG											
	0.090	0.563	0.090					ARG90	0.036(#3)	CL	P1-S	N,G,S
	U-Factor 0.27			SHGC (N / <1) 0.38 / 0.34				VT (N / <1) 0.54 / 0.48			CR 62	
1523	142.294 / Opt 2 (INN Refo KS/LS/S, No Foam): 70/36 / air / clr (DS/DS) 3/4" IG											
	0.117	0.500	0.117					AIR	0.036(#2)	CL	P1-S	N,G,S
	U-Factor 0.31			SHGC (N / <1) 0.30 / 0.27				VT (N / <1) 0.53 / 0.47			CR 58	
	142.294 / Opt 2 (INN Refo KS/LS/S, No Foam): clr / air / 70/36 (DS/DS) 3/4" IG											
	0.117	0.500	0.117					AIR	0.036(#3)	CL	P1-S	N,G,S
	U-Factor 0.31			SHGC (N / <1) 0.37 / 0.33				VT (N / <1) 0.53 / 0.47			CR 58	
1524	142.294 / Opt 2 (INN Refo KS/LS/S, No Foam): 70/36 / arg / clr (DS/DS) 3/4" IG											
	0.117	0.500	0.117					ARG90	0.036(#2)	CL	P1-S	N,G,S
	U-Factor 0.27			SHGC (N / <1) 0.29 / 0.27				VT (N / <1) 0.53 / 0.47			CR 62	
	142.294 / Opt 2 (INN Refo KS/LS/S, No Foam): clr / arg / 70/36 (DS/DS) 3/4" IG											
	0.117	0.500	0.117					ARG90	0.036(#3)	CL	P1-S	N,G,S
	U-Factor 0.27			SHGC (N / <1) 0.37 / 0.33				VT (N / <1) 0.53 / 0.47			CR 62	

**NFRC 100/200/500 Summary Sheet
Windgate/Belmont/Hawthorne 2-Lite Slider**

ID	Pane Thickness 1	Gap Width 1	Pane Thickness 2	Gap Width 2	Pane Thickness 3	Gap Width 3	Pane Thickness 4	Gap Fill	Low-e (Surface#)	Tint	Spacer	Grid Type
	U-Factor			Solar Heat Gain Coefficient (SHGC) Grids (None / <1 / >=1)				Visible Transmittance (VT) Grids (None / <1 / >=1)			Condensation Resistance	
1525	142.294 / Opt 2 (INN Refo KS/LS/S, No Foam): lami / arg / 70/36 (DS 090 DS/DS) 3/4" IG											
	0.264	0.345	0.117					ARG90	0.036(#3)	CL	P1-S	N,S
	U-Factor 0.29			SHGC (N / <1) 0.35 / 0.32				VT (N / <1) 0.52 / 0.47			CR 59	
	142.294 / Opt 2 (INN Refo KS/LS/S, No Foam): 70/36 / arg / lami (DS/DS 090 DS) 3/4" IG											
	0.117	0.345	0.264					ARG90	0.036(#2)	CL	P1-S	N,S
	U-Factor 0.29			SHGC (N / <1) 0.29 / 0.26				VT (N / <1) 0.52 / 0.47			CR 59	
1526	142.294 / Opt 2 (INN Refo KS/LS/S, No Foam): lami / arg / 70/36 (DS 090 DS/DS) 3/4" IG											
	0.264	0.345	0.117					ARG90	0.036(#3)	CL	P1-S	G,S
	U-Factor 0.31			SHGC (<1) 0.32				VT (<1) 0.47			CR 59	
	142.294 / Opt 2 (INN Refo KS/LS/S, No Foam): 70/36 / arg / lami (DS/DS 090 DS) 3/4" IG											
	0.117	0.345	0.264					ARG90	0.036(#2)	CL	P1-S	G,S
	U-Factor 0.31			SHGC (<1) 0.26				VT (<1) 0.47			CR 59	
1527	142.294 / Opt 2 (INN Refo KS/LS/S, No Foam): 70/36 / arg / clr / arg / 70/36 (SS/SS/SS) 3/4" IG											
	0.090	0.250	0.090	0.250	0.090			ARG90	0.036(#2) / 0.036(#5)	CL	P1-S	N,S
	U-Factor 0.24			SHGC (N / <1) 0.26 / 0.23				VT (N / <1) 0.42 / 0.37			CR 68	
1528	142.294 / Opt 2 (INN Refo KS/LS/S, No Foam): 70/36 / arg / clr / arg / 70/36 (SS/SS/SS) 3/4" IG											
	0.090	0.250	0.090	0.250	0.090			ARG90	0.036(#2) / 0.036(#5)	CL	P1-S	G,S
	U-Factor 0.24			SHGC (<1) 0.23				VT (<1) 0.37			CR 68	
1529	142.294 / Opt 2 (INN Refo KS/LS/S, No Foam): 80/70 / air / clr (SS/SS) 3/4" IG											
	0.090	0.563	0.090					AIR	0.095(#2)	CL	P1-S	N,G,S
	U-Factor 0.32			SHGC (N / <1) 0.51 / 0.46				VT (N / <1) 0.62 / 0.55			CR 57	
	142.294 / Opt 2 (INN Refo KS/LS/S, No Foam): clr / air / 80/70 (SS/SS) 3/4" IG											
	0.090	0.563	0.090					AIR	0.095(#3)	CL	P1-S	N,G,S
	U-Factor 0.32			SHGC (N / <1) 0.54 / 0.49				VT (N / <1) 0.62 / 0.55			CR 57	
1530	142.294 / Opt 2 (INN Refo KS/LS/S, No Foam): 80/70 / arg / clr (SS/SS) 3/4" IG											
	0.090	0.563	0.090					ARG90	0.095(#2)	CL	P1-S	N,G,S
	U-Factor 0.29			SHGC (N / <1) 0.51 / 0.46				VT (N / <1) 0.62 / 0.55			CR 61	
	142.294 / Opt 2 (INN Refo KS/LS/S, No Foam): clr / arg / 80/70 (SS/SS) 3/4" IG											
	0.090	0.563	0.090					ARG90	0.095(#3)	CL	P1-S	N,G,S
	U-Factor 0.29			SHGC (N / <1) 0.54 / 0.49				VT (N / <1) 0.62 / 0.55			CR 61	

**NFRC 100/200/500 Summary Sheet
Windgate/Belmont/Hawthorne 2-Lite Slider**

ID	Pane Thickness 1	Gap Width 1	Pane Thickness 2	Gap Width 2	Pane Thickness 3	Gap Width 3	Pane Thickness 4	Gap Fill	Low-e (Surface#)	Tint	Spacer	Grid Type
	U-Factor			Solar Heat Gain Coefficient (SHGC) Grids (None / <1 / >=1)				Visible Transmittance (VT) Grids (None / <1 / >=1)			Condensation Resistance	
1531	142.294 / Opt 2 (INN Refo KS/LS/S, No Foam): 80/70 / air / clr (DS/DS) 3/4" IG											
	0.117	0.500	0.117					AIR	0.095(#2)	CL	P1-S	N,G,S
	U-Factor 0.32			SHGC (N / <1) 0.51 / 0.45				VT (N / <1) 0.61 / 0.55			CR	56
	142.294 / Opt 2 (INN Refo KS/LS/S, No Foam): clr / air / 80/70 (DS/DS) 3/4" IG											
	0.117	0.500	0.117					AIR	0.095(#3)	CL	P1-S	N,G,S
	U-Factor 0.32			SHGC (N / <1) 0.53 / 0.48				VT (N / <1) 0.61 / 0.55			CR	56
1532	142.294 / Opt 2 (INN Refo KS/LS/S, No Foam): 80/70 / arg / clr (DS/DS) 3/4" IG											
	0.117	0.500	0.117					ARG90	0.095(#2)	CL	P1-S	N,G,S
	U-Factor 0.29			SHGC (N / <1) 0.51 / 0.45				VT (N / <1) 0.61 / 0.55			CR	60
	142.294 / Opt 2 (INN Refo KS/LS/S, No Foam): clr / arg / 80/70 (DS/DS) 3/4" IG											
	0.117	0.500	0.117					ARG90	0.095(#3)	CL	P1-S	N,G,S
	U-Factor 0.29			SHGC (N / <1) 0.54 / 0.48				VT (N / <1) 0.61 / 0.55			CR	60
1533	142.294 / Opt 2 (INN Refo KS/LS/S, No Foam): lami / arg / 80/70 (DS 090 DS/DS) 3/4" IG											
	0.264	0.345	0.117					ARG90	0.095(#3)	CL	P1-S	N,S
	U-Factor 0.31			SHGC (N / <1) 0.49 / 0.44				VT (N / <1) 0.60 / 0.54			CR	58
	142.294 / Opt 2 (INN Refo KS/LS/S, No Foam): 80/70 / arg / lami (DS/DS 090 DS) 3/4" IG											
	0.117	0.345	0.264					ARG90	0.095(#2)	CL	P1-S	N,S
	U-Factor 0.31			SHGC (N / <1) 0.50 / 0.45				VT (N / <1) 0.60 / 0.54			CR	58
1534	142.294 / Opt 2 (INN Refo KS/LS/S, No Foam): lami / arg / 80/70 (DS 090 DS/DS) 3/4" IG											
	0.264	0.345	0.117					ARG90	0.095(#3)	CL	P1-S	G,S
	U-Factor 0.32			SHGC (<1) 0.44				VT (<1) 0.54			CR	58
	142.294 / Opt 2 (INN Refo KS/LS/S, No Foam): 80/70 / arg / lami (DS/DS 090 DS) 3/4" IG											
	0.117	0.345	0.264					ARG90	0.095(#2)	CL	P1-S	G,S
	U-Factor 0.32			SHGC (<1) 0.45				VT (<1) 0.54			CR	58
1535	142.294 / Opt 2 (INN Refo KS/LS/S, No Foam): 80/70 / arg / clr / arg / 80/70 (SS/SS/SS) 3/4" IG											
	0.090	0.250	0.090	0.250	0.090			ARG90	0.095(#2) / 0.095(#5)	CL	P1-S	N,S
	U-Factor 0.25			SHGC (N / <1) 0.45 / 0.41				VT (N / <1) 0.56 / 0.50			CR	66
1536	142.294 / Opt 2 (INN Refo KS/LS/S, No Foam): 80/70 / arg / clr / arg / 80/70 (SS/SS/SS) 3/4" IG											
	0.090	0.250	0.090	0.250	0.090			ARG90	0.095(#2) / 0.095(#5)	CL	P1-S	G,S
	U-Factor 0.26			SHGC (<1) 0.41				VT (<1) 0.50			CR	66

**NFRC 100/200/500 Summary Sheet
Windgate/Belmont/Hawthorne 2-Lite Slider**

ID	Pane Thickness 1	Gap Width 1	Pane Thickness 2	Gap Width 2	Pane Thickness 3	Gap Width 3	Pane Thickness 4	Gap Fill	Low-e (Surface#)	Tint	Spacer	Grid Type
	U-Factor			Solar Heat Gain Coefficient (SHGC) Grids (None / <1 / >=1)				Visible Transmittance (VT) Grids (None / <1 / >=1)			Condensation Resistance	
1537	142.294 / Opt 2 (INN Refo KS/LS/S, No Foam): clr / air / clr (SS/SS) 3/4" IG											
	0.087	0.563	0.087					AIR		CL	SS-D	N,G,S
	U-Factor 0.45			SHGC (N / <1) 0.61 / 0.54				VT (N / <1) 0.63 / 0.56			CR 44	
1538	142.294 / Opt 2 (INN Refo KS/LS/S, No Foam): clr / air / clr (DS/DS) 3/4" IG											
	0.118	0.500	0.118					AIR		CL	SS-D	N,G,S
	U-Factor 0.45			SHGC (N / <1) 0.59 / 0.53				VT (N / <1) 0.62 / 0.56			CR 44	
1539	142.294 / Opt 2 (INN Refo KS/LS/S, No Foam): clr / air / clr (5mm/DS) 3/4" IG											
	0.185	0.438	0.118					AIR		CL	SS-D	N,G,S
	U-Factor 0.46			SHGC (N / <1) 0.57 / 0.51				VT (N / <1) 0.62 / 0.55			CR 44	
1540	142.294 / Opt 2 (INN Refo KS/LS/S, No Foam): clr / air / clr (5mm/DS) 3/4" IG											
	0.185	0.438	0.118					AIR		CL	SS-D	G
	U-Factor 0.46			SHGC (<1) 0.51				VT (<1) 0.55			CR 44	
1541	142.294 / Opt 2 (INN Refo KS/LS/S, No Foam): lami / air / clr (DS 090 DS/DS) 3/4" IG											
	0.264	0.345	0.118					AIR		CL	SS-D	N,S
	U-Factor 0.47			SHGC (N / <1) 0.55 / 0.49				VT (N / <1) 0.61 / 0.55			CR 42	
	142.294 / Opt 2 (INN Refo KS/LS/S, No Foam): clr / air / lami (DS/DS 090 DS) 3/4" IG											
	0.118	0.345	0.264					AIR		CL	SS-D	N,S
	U-Factor 0.47			SHGC (N / <1) 0.57 / 0.51				VT (N / <1) 0.61 / 0.55			CR 42	
1542	142.294 / Opt 2 (INN Refo KS/LS/S, No Foam): lami / air / clr (DS 090 DS/DS) 3/4" IG											
	0.264	0.345	0.118					AIR		CL	SS-D	G,S
	U-Factor 0.48			SHGC (<1) 0.49				VT (<1) 0.55			CR 42	
	142.294 / Opt 2 (INN Refo KS/LS/S, No Foam): clr / air / lami (DS/DS 090 DS) 3/4" IG											
	0.118	0.345	0.264					AIR		CL	SS-D	G,S
	U-Factor 0.48			SHGC (<1) 0.51				VT (<1) 0.55			CR 42	
1543	142.294 / Opt 2 (INN Refo KS/LS/S, No Foam): clr / air / clr / air / clr (SS/SS/SS) 3/4" IG (P1-S)											
	0.087	0.250	0.087	0.250	0.087			AIR		CL	SS-D	N,S
	U-Factor 0.38			SHGC (N / <1) 0.55 / 0.49				VT (N / <1) 0.58 / 0.52			CR 52	
1544	142.294 / Opt 2 (INN Refo KS/LS/S, No Foam): clr / air / clr / air / clr (SS/SS/SS) 3/4" IG (P1-S)											
	0.087	0.250	0.087	0.250	0.087			AIR		CL	SS-D	G,S
	U-Factor 0.38			SHGC (<1) 0.49				VT (<1) 0.52			CR 52	

NFRC 100/200/500 Summary Sheet
Windgate/Belmont/Hawthorne 2-Lite Slider

ID	Pane Thickness 1	Gap Width 1	Pane Thickness 2	Gap Width 2	Pane Thickness 3	Gap Width 3	Pane Thickness 4	Gap Fill	Low-e (Surface#)	Tint	Spacer	Grid Type
	U-Factor			Solar Heat Gain Coefficient (SHGC) Grids (None / <1 / >=1)				Visible Transmittance (VT) Grids (None / <1 / >=1)			Condensation Resistance	
1545	142.294 / Opt 2 (INN Refo KS/LS/S, No Foam): E270 / air / clr (SS/SS) 3/4" IG											
	0.087	0.563	0.087					AIR	0.037(#2)	CL	SS-D	N,G,S
	U-Factor 0.32			SHGC (N / <1) 0.29 / 0.26				VT (N / <1) 0.54 / 0.48			CR	56
	142.294 / Opt 2 (INN Refo KS/LS/S, No Foam): clr / air / E270 (SS/SS) 3/4" IG											
	0.087	0.563	0.087					AIR	0.037(#3)	CL	SS-D	N,G,S
	U-Factor 0.32			SHGC (N / <1) 0.35 / 0.32				VT (N / <1) 0.54 / 0.48			CR	56
1546	142.294 / Opt 2 (INN Refo KS/LS/S, No Foam): E270 / arg / clr (SS/SS) 3/4" IG											
	0.087	0.563	0.087					ARG90	0.037(#2)	CL	SS-D	N,G,S
	U-Factor 0.29			SHGC (N / <1) 0.28 / 0.26				VT (N / <1) 0.54 / 0.48			CR	59
	142.294 / Opt 2 (INN Refo KS/LS/S, No Foam): clr / arg / E270 (SS/SS) 3/4" IG											
	0.087	0.563	0.087					ARG90	0.037(#3)	CL	SS-D	N,G,S
	U-Factor 0.29			SHGC (N / <1) 0.36 / 0.32				VT (N / <1) 0.54 / 0.48			CR	59
1547	142.294 / Opt 2 (INN Refo KS/LS/S, No Foam): E270 / air / clr (DS/DS) 3/4" IG											
	0.118	0.500	0.118					AIR	0.037(#2)	CL	SS-D	N,G,S
	U-Factor 0.32			SHGC (N / <1) 0.29 / 0.26				VT (N / <1) 0.53 / 0.47			CR	55
	142.294 / Opt 2 (INN Refo KS/LS/S, No Foam): clr / air / E270 (DS/DS) 3/4" IG											
	0.118	0.500	0.118					AIR	0.037(#3)	CL	SS-D	N,G,S
	U-Factor 0.32			SHGC (N / <1) 0.35 / 0.31				VT (N / <1) 0.53 / 0.47			CR	55
1548	142.294 / Opt 2 (INN Refo KS/LS/S, No Foam): E270 / arg / clr (DS/DS) 3/4" IG											
	0.118	0.500	0.118					ARG90	0.037(#2)	CL	SS-D	N,G,S
	U-Factor 0.28			SHGC (N / <1) 0.28 / 0.25				VT (N / <1) 0.53 / 0.47			CR	58
	142.294 / Opt 2 (INN Refo KS/LS/S, No Foam): clr / arg / E270 (DS/DS) 3/4" IG											
	0.118	0.500	0.118					ARG90	0.037(#3)	CL	SS-D	N,G,S
	U-Factor 0.28			SHGC (N / <1) 0.35 / 0.32				VT (N / <1) 0.53 / 0.47			CR	58
1549	142.294 / Opt 2 (INN Refo KS/LS/S, No Foam): lami / arg / E270 (DS 090 DS/DS) 3/4" IG											
	0.264	0.345	0.118					ARG90	0.037(#3)	CL	SS-D	N,S
	U-Factor 0.30			SHGC (N / <1) 0.33 / 0.30				VT (N / <1) 0.52 / 0.47			CR	56
	142.294 / Opt 2 (INN Refo KS/LS/S, No Foam): E270 / arg / lami (DS/DS 090 DS) 3/4" IG											
	0.118	0.345	0.264					ARG90	0.037(#2)	CL	SS-D	N,S
	U-Factor 0.30			SHGC (N / <1) 0.28 / 0.25				VT (N / <1) 0.52 / 0.47			CR	56

**NFRC 100/200/500 Summary Sheet
Windgate/Belmont/Hawthorne 2-Lite Slider**

ID	Pane Thickness 1	Gap Width 1	Pane Thickness 2	Gap Width 2	Pane Thickness 3	Gap Width 3	Pane Thickness 4	Gap Fill	Low-e (Surface#)	Tint	Spacer	Grid Type
	U-Factor			Solar Heat Gain Coefficient (SHGC) Grids (None / <1 / >=1)				Visible Transmittance (VT) Grids (None / <1 / >=1)			Condensation Resistance	
1550	142.294 / Opt 2 (INN Refo KS/LS/S, No Foam): lami / arg / E270 (DS 090 DS/DS) 3/4" IG											
	0.264	0.345	0.118					ARG90	0.037(#3)	CL	SS-D	G,S
	U-Factor 0.32			SHGC (<1) 0.30				VT (<1) 0.47			CR 56	
	142.294 / Opt 2 (INN Refo KS/LS/S, No Foam): E270 / arg / lami (DS/DS 090 DS) 3/4" IG											
	0.118	0.345	0.264					ARG90	0.037(#2)	CL	SS-D	G,S
	U-Factor 0.32			SHGC (<1) 0.25				VT (<1) 0.47			CR 56	
1551	142.294 / Opt 2 (INN Refo KS/LS/S, No Foam): E270 / arg / clr / arg / E270 (SS/SS/SS) 3/4" IG (SS-D)											
	0.087	0.266	0.087	0.266	0.087			ARG90	0.037(#2) / 0.037(#5)	CL	SS-D	N,S
	U-Factor 0.24			SHGC (N / <1) 0.24 / 0.22				VT (N / <1) 0.42 / 0.37			CR 66	
1552	142.294 / Opt 2 (INN Refo KS/LS/S, No Foam): E270 / arg / clr / arg / E270 (SS/SS/SS) 3/4" IG (SS-D)											
	0.087	0.266	0.087	0.266	0.087			ARG90	0.037(#2) / 0.037(#5)	CL	SS-D	G,S
	U-Factor 0.25			SHGC (<1) 0.22				VT (<1) 0.37			CR 66	
1553	142.294 / Opt 2 (INN Refo KS/LS/S, No Foam): E366 / air / clr (SS/SS) 3/4" IG											
	0.087	0.563	0.087					AIR	0.022(#2)	CL	SS-D	N,G,S
	U-Factor 0.32			SHGC (N / <1) 0.21 / 0.19				VT (N / <1) 0.50 / 0.44			CR 56	
	142.294 / Opt 2 (INN Refo KS/LS/S, No Foam): clr / air / E366 (SS/SS) 3/4" IG											
	0.087	0.563	0.087					AIR	0.022(#3)	CL	SS-D	N,G,S
	U-Factor 0.32			SHGC (N / <1) 0.30 / 0.27				VT (N / <1) 0.50 / 0.44			CR 56	
1554	142.294 / Opt 2 (INN Refo KS/LS/S, No Foam): E366 / arg / clr (SS/SS) 3/4" IG											
	0.087	0.563	0.087					ARG90	0.022(#2)	CL	SS-D	N,G,S
	U-Factor 0.28			SHGC (N / <1) 0.21 / 0.19				VT (N / <1) 0.50 / 0.44			CR 59	
	142.294 / Opt 2 (INN Refo KS/LS/S, No Foam): clr / arg / E366 (SS/SS) 3/4" IG											
	0.087	0.563	0.087					ARG90	0.022(#3)	CL	SS-D	N,G,S
	U-Factor 0.28			SHGC (N / <1) 0.30 / 0.27				VT (N / <1) 0.50 / 0.44			CR 59	
1555	142.294 / Opt 2 (INN Refo KS/LS/S, No Foam): E366 / air / clr (DS/DS) 3/4" IG											
	0.117	0.500	0.118					AIR	0.022(#2)	CL	SS-D	N,G,S
	U-Factor 0.31			SHGC (N / <1) 0.21 / 0.19				VT (N / <1) 0.49 / 0.44			CR 55	
	142.294 / Opt 2 (INN Refo KS/LS/S, No Foam): clr / air / E366 (DS/DS) 3/4" IG											
	0.118	0.500	0.117					AIR	0.022(#3)	CL	SS-D	N,G,S
	U-Factor 0.31			SHGC (N / <1) 0.29 / 0.27				VT (N / <1) 0.49 / 0.44			CR 55	

**NFRC 100/200/500 Summary Sheet
Windgate/Belmont/Hawthorne 2-Lite Slider**

ID	Pane Thickness 1	Gap Width 1	Pane Thickness 2	Gap Width 2	Pane Thickness 3	Gap Width 3	Pane Thickness 4	Gap Fill	Low-e (Surface#)	Tint	Spacer	Grid Type
	U-Factor			Solar Heat Gain Coefficient (SHGC) Grids (None / <1 / >=1)				Visible Transmittance (VT) Grids (None / <1 / >=1)			Condensation Resistance	
1556	142.294 / Opt 2 (INN Refo KS/LS/S, No Foam): E366 / arg / clr (DS/DS) 3/4" IG											
	0.117	0.500	0.118					ARG90	0.022(#2)	CL	SS-D	N,G,S
	U-Factor 0.28			SHGC (N / <1) 0.21 / 0.19				VT (N / <1) 0.49 / 0.44			CR	59
	142.294 / Opt 2 (INN Refo KS/LS/S, No Foam): clr / arg / E366 (DS/DS) 3/4" IG											
	0.118	0.500	0.117					ARG90	0.022(#3)	CL	SS-D	N,G,S
	U-Factor 0.28			SHGC (N / <1) 0.30 / 0.27				VT (N / <1) 0.49 / 0.44			CR	59
1557	142.294 / Opt 2 (INN Refo KS/LS/S, No Foam): lami / arg / E366 (DS 090 DS/DS) 3/4" IG											
	0.264	0.345	0.117					ARG90	0.022(#3)	CL	SS-D	N,S
	U-Factor 0.30			SHGC (N / <1) 0.29 / 0.26				VT (N / <1) 0.48 / 0.43			CR	56
	142.294 / Opt 2 (INN Refo KS/LS/S, No Foam): E366 / arg / lami (DS/DS 090 DS) 3/4" IG											
	0.117	0.345	0.264					ARG90	0.022(#2)	CL	SS-D	N,S
	U-Factor 0.30			SHGC (N / <1) 0.21 / 0.19				VT (N / <1) 0.48 / 0.43			CR	56
1558	142.294 / Opt 2 (INN Refo KS/LS/S, No Foam): lami / arg / E366 (DS 090 DS/DS) 3/4" IG											
	0.264	0.345	0.117					ARG90	0.022(#3)	CL	SS-D	G,S
	U-Factor 0.31			SHGC (<1) 0.26				VT (<1) 0.43			CR	56
	142.294 / Opt 2 (INN Refo KS/LS/S, No Foam): E366 / arg / lami (DS/DS 090 DS) 3/4" IG											
	0.117	0.345	0.264					ARG90	0.022(#2)	CL	SS-D	G,S
	U-Factor 0.31			SHGC (<1) 0.19				VT (<1) 0.43			CR	56
1559	142.294 / Opt 2 (INN Refo KS/LS/S, No Foam): E366 / arg / clr / arg / E366 (SS/SS/SS) 3/4" IG (SS-D)											
	0.087	0.266	0.087	0.266	0.087			ARG90	0.022(#2) / 0.022(#5)	CL	SS-D	N,S
	U-Factor 0.24			SHGC (N / <1) 0.19 / 0.17				VT (N / <1) 0.36 / 0.32			CR	66
1560	142.294 / Opt 2 (INN Refo KS/LS/S, No Foam): E366 / arg / clr / arg / E366 (SS/SS/SS) 3/4" IG (SS-D)											
	0.087	0.266	0.087	0.266	0.087			ARG90	0.022(#2) / 0.022(#5)	CL	SS-D	G,S
	U-Factor 0.24			SHGC (<1) 0.17				VT (<1) 0.32			CR	66
1561	142.294 / Opt 2 (INN Refo KS/LS/S, No Foam): clr / air / clr (SS/SS) 3/4" IG											
	0.087	0.563	0.087					AIR		CL	TS-D	N,G,S
	U-Factor 0.46			SHGC (N / <1) 0.61 / 0.54				VT (N / <1) 0.63 / 0.56			CR	44
1562	142.294 / Opt 2 (INN Refo KS/LS/S, No Foam): clr / air / clr (DS/DS) 3/4" IG											
	0.118	0.500	0.118					AIR		CL	TS-D	N,G,S
	U-Factor 0.45			SHGC (N / <1) 0.59 / 0.53				VT (N / <1) 0.62 / 0.56			CR	43

NFRC 100/200/500 Summary Sheet
Windgate/Belmont/Hawthorne 2-Lite Slider

ID	Pane Thickness 1	Gap Width 1	Pane Thickness 2	Gap Width 2	Pane Thickness 3	Gap Width 3	Pane Thickness 4	Gap Fill	Low-e (Surface#)	Tint	Spacer	Grid Type
	U-Factor			Solar Heat Gain Coefficient (SHGC) Grids (None / <1 / >=1)				Visible Transmittance (VT) Grids (None / <1 / >=1)			Condensation Resistance	
1563	142.294 / Opt 2 (INN Refo KS/LS/S, No Foam): clr / air / clr (5mm/DS) 3/4" IG											
	0.185	0.438	0.118					AIR		CL	TS-D	N,G,S
	U-Factor 0.46			SHGC (N / <1) 0.57 / 0.51				VT (N / <1) 0.62 / 0.55			CR 43	
1564	142.294 / Opt 2 (INN Refo KS/LS/S, No Foam): clr / air / clr (5mm/DS) 3/4" IG											
	0.185	0.438	0.118					AIR		CL	TS-D	G
	U-Factor 0.46			SHGC (<1) 0.51				VT (<1) 0.55			CR 43	
1565	142.294 / Opt 2 (INN Refo KS/LS/S, No Foam): lami / air / clr (DS 090 DS/DS) 3/4" IG											
	0.264	0.345	0.118					AIR		CL	TS-D	N,S
	U-Factor 0.47			SHGC (N / <1) 0.55 / 0.49				VT (N / <1) 0.61 / 0.55			CR 42	
	142.294 / Opt 2 (INN Refo KS/LS/S, No Foam): clr / air / lami (DS/DS 090 DS) 3/4" IG											
	0.118	0.345	0.264					AIR		CL	TS-D	N,S
	U-Factor 0.47			SHGC (N / <1) 0.57 / 0.51				VT (N / <1) 0.61 / 0.55			CR 42	
1566	142.294 / Opt 2 (INN Refo KS/LS/S, No Foam): lami / air / clr (DS 090 DS/DS) 3/4" IG											
	0.264	0.345	0.118					AIR		CL	TS-D	G,S
	U-Factor 0.48			SHGC (<1) 0.49				VT (<1) 0.55			CR 42	
	142.294 / Opt 2 (INN Refo KS/LS/S, No Foam): clr / air / lami (DS/DS 090 DS) 3/4" IG											
	0.118	0.345	0.264					AIR		CL	TS-D	G,S
	U-Factor 0.48			SHGC (<1) 0.51				VT (<1) 0.55			CR 42	
1567	142.294 / Opt 2 (INN Refo KS/LS/S, No Foam): clr / air / clr / air / clr (SS/SS/SS) 3/4" IG (P1-S)											
	0.087	0.250	0.087	0.250	0.087			AIR		CL	TS-D	N,S
	U-Factor 0.38			SHGC (N / <1) 0.55 / 0.49				VT (N / <1) 0.58 / 0.52			CR 51	
1568	142.294 / Opt 2 (INN Refo KS/LS/S, No Foam): clr / air / clr / air / clr (SS/SS/SS) 3/4" IG (P1-S)											
	0.087	0.250	0.087	0.250	0.087			AIR		CL	TS-D	G,S
	U-Factor 0.39			SHGC (<1) 0.49				VT (<1) 0.52			CR 51	
1569	142.294 / Opt 2 (INN Refo KS/LS/S, No Foam): 70/36 / air / clr (SS/SS) 3/4" IG											
	0.090	0.563	0.090					AIR	0.036(#2)	CL	TS-D	N,G,S
	U-Factor 0.32			SHGC (N / <1) 0.30 / 0.27				VT (N / <1) 0.54 / 0.48			CR 55	
	142.294 / Opt 2 (INN Refo KS/LS/S, No Foam): clr / air / 70/36 (SS/SS) 3/4" IG											
	0.090	0.563	0.090					AIR	0.036(#3)	CL	TS-D	N,G,S
	U-Factor 0.32			SHGC (N / <1) 0.37 / 0.33				VT (N / <1) 0.54 / 0.48			CR 55	

NFRC 100/200/500 Summary Sheet
Windgate/Belmont/Hawthorne 2-Lite Slider

ID	Pane Thickness 1	Gap Width 1	Pane Thickness 2	Gap Width 2	Pane Thickness 3	Gap Width 3	Pane Thickness 4	Gap Fill	Low-e (Surface#)	Tint	Spacer	Grid Type
	U-Factor			Solar Heat Gain Coefficient (SHGC) Grids (None / <1 / >=1)				Visible Transmittance (VT) Grids (None / <1 / >=1)			Condensation Resistance	
1570	142.294 / Opt 2 (INN Refo KS/LS/S, No Foam): 70/36 / arg / clr (SS/SS) 3/4" IG											
	0.090	0.563	0.090					ARG90	0.036(#2)	CL	TS-D	N,G,S
	U-Factor 0.29			SHGC (N / <1) 0.30 / 0.27				VT (N / <1) 0.54 / 0.48			CR 58	
	142.294 / Opt 2 (INN Refo KS/LS/S, No Foam): clr / arg / 70/36 (SS/SS) 3/4" IG											
	0.090	0.563	0.090					ARG90	0.036(#3)	CL	TS-D	N,G,S
	U-Factor 0.29			SHGC (N / <1) 0.38 / 0.34				VT (N / <1) 0.54 / 0.48			CR 58	
1571	142.294 / Opt 2 (INN Refo KS/LS/S, No Foam): 70/36 / air / clr (DS/DS) 3/4" IG											
	0.117	0.500	0.117					AIR	0.036(#2)	CL	TS-D	N,G,S
	U-Factor 0.32			SHGC (N / <1) 0.30 / 0.27				VT (N / <1) 0.53 / 0.47			CR 53	
	142.294 / Opt 2 (INN Refo KS/LS/S, No Foam): clr / air / 70/36 (DS/DS) 3/4" IG											
	0.117	0.500	0.117					AIR	0.036(#3)	CL	TS-D	N,G,S
	U-Factor 0.32			SHGC (N / <1) 0.37 / 0.33				VT (N / <1) 0.53 / 0.47			CR 53	
1572	142.294 / Opt 2 (INN Refo KS/LS/S, No Foam): 70/36 / arg / clr (DS/DS) 3/4" IG											
	0.117	0.500	0.117					ARG90	0.036(#2)	CL	TS-D	N,G,S
	U-Factor 0.29			SHGC (N / <1) 0.29 / 0.27				VT (N / <1) 0.53 / 0.47			CR 56	
	142.294 / Opt 2 (INN Refo KS/LS/S, No Foam): clr / arg / 70/36 (DS/DS) 3/4" IG											
	0.117	0.500	0.117					ARG90	0.036(#3)	CL	TS-D	N,G,S
	U-Factor 0.29			SHGC (N / <1) 0.37 / 0.33				VT (N / <1) 0.53 / 0.47			CR 56	
1573	142.294 / Opt 2 (INN Refo KS/LS/S, No Foam): lami / arg / 70/36 (DS 090 DS/DS) 3/4" IG											
	0.264	0.345	0.117					ARG90	0.036(#3)	CL	TS-D	N,S
	U-Factor 0.30			SHGC (N / <1) 0.35 / 0.32				VT (N / <1) 0.52 / 0.47			CR 55	
	142.294 / Opt 2 (INN Refo KS/LS/S, No Foam): 70/36 / arg / lami (DS/DS 090 DS) 3/4" IG											
	0.117	0.345	0.264					ARG90	0.036(#2)	CL	TS-D	N,S
	U-Factor 0.30			SHGC (N / <1) 0.29 / 0.26				VT (N / <1) 0.52 / 0.47			CR 55	
1574	142.294 / Opt 2 (INN Refo KS/LS/S, No Foam): lami / arg / 70/36 (DS 090 DS/DS) 3/4" IG											
	0.264	0.345	0.117					ARG90	0.036(#3)	CL	TS-D	G,S
	U-Factor 0.32			SHGC (<1) 0.32				VT (<1) 0.47			CR 55	
	142.294 / Opt 2 (INN Refo KS/LS/S, No Foam): 70/36 / arg / lami (DS/DS 090 DS) 3/4" IG											
	0.117	0.345	0.264					ARG90	0.036(#2)	CL	TS-D	G,S
	U-Factor 0.32			SHGC (<1) 0.26				VT (<1) 0.47			CR 55	

**NFRC 100/200/500 Summary Sheet
Windgate/Belmont/Hawthorne 2-Lite Slider**

ID	Pane Thickness 1	Gap Width 1	Pane Thickness 2	Gap Width 2	Pane Thickness 3	Gap Width 3	Pane Thickness 4	Gap Fill	Low-e (Surface#)	Tint	Spacer	Grid Type
	U-Factor			Solar Heat Gain Coefficient (SHGC) Grids (None / <1 / >=1)				Visible Transmittance (VT) Grids (None / <1 / >=1)			Condensation Resistance	
1575	142.294 / Opt 2 (INN Refo KS/LS/S, No Foam): 70/36 / arg / clr / arg / 70/36 (SS/SS/SS) 3/4" IG											
	0.090	0.250	0.090	0.250	0.090			ARG90	0.036(#2) / 0.036(#5)	CL	TS-D	N,S
	U-Factor 0.25			SHGC (N / <1) 0.26 / 0.23				VT (N / <1) 0.42 / 0.37			CR 63	
1576	142.294 / Opt 2 (INN Refo KS/LS/S, No Foam): 70/36 / arg / clr / arg / 70/36 (SS/SS/SS) 3/4" IG											
	0.090	0.250	0.090	0.250	0.090			ARG90	0.036(#2) / 0.036(#5)	CL	TS-D	G,S
	U-Factor 0.26			SHGC (<1) 0.23				VT (<1) 0.37			CR 62	
1577	142.294 / Opt 2 (INN Refo KS/LS/S, No Foam): 80/70 / air / clr (SS/SS) 3/4" IG											
	0.090	0.563	0.090					AIR	0.095(#2)	CL	TS-D	N,G,S
	U-Factor 0.34			SHGC (N / <1) 0.51 / 0.46				VT (N / <1) 0.62 / 0.55			CR 53	
	142.294 / Opt 2 (INN Refo KS/LS/S, No Foam): clr / air / 80/70 (SS/SS) 3/4" IG											
	0.090	0.563	0.090					AIR	0.095(#3)	CL	TS-D	N,G,S
	U-Factor 0.34			SHGC (N / <1) 0.54 / 0.49				VT (N / <1) 0.62 / 0.55			CR 53	
1578	142.294 / Opt 2 (INN Refo KS/LS/S, No Foam): 80/70 / arg / clr (SS/SS) 3/4" IG											
	0.090	0.563	0.090					ARG90	0.095(#2)	CL	TS-D	N,G,S
	U-Factor 0.31			SHGC (N / <1) 0.51 / 0.46				VT (N / <1) 0.62 / 0.55			CR 56	
	142.294 / Opt 2 (INN Refo KS/LS/S, No Foam): clr / arg / 80/70 (SS/SS) 3/4" IG											
	0.090	0.563	0.090					ARG90	0.095(#3)	CL	TS-D	N,G,S
	U-Factor 0.31			SHGC (N / <1) 0.54 / 0.49				VT (N / <1) 0.62 / 0.55			CR 56	
1579	142.294 / Opt 2 (INN Refo KS/LS/S, No Foam): 80/70 / air / clr (DS/DS) 3/4" IG											
	0.117	0.500	0.117					AIR	0.095(#2)	CL	TS-D	N,G,S
	U-Factor 0.33			SHGC (N / <1) 0.51 / 0.45				VT (N / <1) 0.61 / 0.55			CR 52	
	142.294 / Opt 2 (INN Refo KS/LS/S, No Foam): clr / air / 80/70 (DS/DS) 3/4" IG											
	0.117	0.500	0.117					AIR	0.095(#3)	CL	TS-D	N,G,S
	U-Factor 0.33			SHGC (N / <1) 0.53 / 0.48				VT (N / <1) 0.61 / 0.55			CR 52	
1580	142.294 / Opt 2 (INN Refo KS/LS/S, No Foam): 80/70 / arg / clr (DS/DS) 3/4" IG											
	0.117	0.500	0.117					ARG90	0.095(#2)	CL	TS-D	N,G,S
	U-Factor 0.30			SHGC (N / <1) 0.51 / 0.45				VT (N / <1) 0.61 / 0.55			CR 55	
	142.294 / Opt 2 (INN Refo KS/LS/S, No Foam): clr / arg / 80/70 (DS/DS) 3/4" IG											
	0.117	0.500	0.117					ARG90	0.095(#3)	CL	TS-D	N,G,S
	U-Factor 0.30			SHGC (N / <1) 0.54 / 0.48				VT (N / <1) 0.61 / 0.55			CR 55	

**NFRC 100/200/500 Summary Sheet
Windgate/Belmont/Hawthorne 2-Lite Slider**

ID	Pane Thickness 1	Gap Width 1	Pane Thickness 2	Gap Width 2	Pane Thickness 3	Gap Width 3	Pane Thickness 4	Gap Fill	Low-e (Surface#)	Tint	Spacer	Grid Type
	U-Factor			Solar Heat Gain Coefficient (SHGC) Grids (None / <1 / >=1)				Visible Transmittance (VT) Grids (None / <1 / >=1)			Condensation Resistance	
1581	142.294 / Opt 2 (INN Refo KS/LS/S, No Foam): lami / arg / 80/70 (DS 090 DS/DS) 3/4" IG											
	0.264	0.345	0.117					ARG90	0.095(#3)	CL	TS-D	N,S
	U-Factor 0.32			SHGC (N / <1) 0.49 / 0.44				VT (N / <1) 0.60 / 0.54			CR	54
	142.294 / Opt 2 (INN Refo KS/LS/S, No Foam): 80/70 / arg / lami (DS/DS 090 DS) 3/4" IG											
	0.117	0.345	0.264					ARG90	0.095(#2)	CL	TS-D	N,S
	U-Factor 0.32			SHGC (N / <1) 0.50 / 0.45				VT (N / <1) 0.60 / 0.54			CR	54
1582	142.294 / Opt 2 (INN Refo KS/LS/S, No Foam): lami / arg / 80/70 (DS 090 DS/DS) 3/4" IG											
	0.264	0.345	0.117					ARG90	0.095(#3)	CL	TS-D	G,S
	U-Factor 0.33			SHGC (<1) 0.44				VT (<1) 0.54			CR	54
	142.294 / Opt 2 (INN Refo KS/LS/S, No Foam): 80/70 / arg / lami (DS/DS 090 DS) 3/4" IG											
	0.117	0.345	0.264					ARG90	0.095(#2)	CL	TS-D	G,S
	U-Factor 0.33			SHGC (<1) 0.45				VT (<1) 0.54			CR	54
1583	142.294 / Opt 2 (INN Refo KS/LS/S, No Foam): 80/70 / arg / clr / arg / 80/70 (SS/SS/SS) 3/4" IG											
	0.090	0.250	0.090	0.250	0.090			ARG90	0.095(#2) / 0.095(#5)	CL	TS-D	N,S
	U-Factor 0.26			SHGC (N / <1) 0.45 / 0.41				VT (N / <1) 0.56 / 0.50			CR	62
1584	142.294 / Opt 2 (INN Refo KS/LS/S, No Foam): 80/70 / arg / clr / arg / 80/70 (SS/SS/SS) 3/4" IG											
	0.090	0.250	0.090	0.250	0.090			ARG90	0.095(#2) / 0.095(#5)	CL	TS-D	G,S
	U-Factor 0.27			SHGC (<1) 0.41				VT (<1) 0.50			CR	62
1585	142.294 / Opt 3 (INN Refo KS/LS, Foam): clr / air / clr (SS/SS) 3/4" IG											
	0.087	0.563	0.087					AIR		CL	P1-S	N,G,S
	U-Factor 0.44			SHGC (N / <1) 0.61 / 0.54				VT (N / <1) 0.63 / 0.56			CR	46
1586	142.294 / Opt 3 (INN Refo KS/LS, Foam): clr / air / clr (DS/DS) 3/4" IG											
	0.118	0.500	0.118					AIR		CL	P1-S	N,G,S
	U-Factor 0.44			SHGC (N / <1) 0.59 / 0.53				VT (N / <1) 0.62 / 0.56			CR	45
1587	142.294 / Opt 3 (INN Refo KS/LS, Foam): clr / air / clr (5mm/DS) 3/4" IG											
	0.185	0.438	0.118					AIR		CL	P1-S	N,G,S
	U-Factor 0.44			SHGC (N / <1) 0.57 / 0.51				VT (N / <1) 0.62 / 0.55			CR	45
1588	142.294 / Opt 3 (INN Refo KS/LS, Foam): clr / air / clr (5mm/DS) 3/4" IG											
	0.185	0.438	0.118					AIR		CL	P1-S	G
	U-Factor 0.44			SHGC (<1) 0.51				VT (<1) 0.55			CR	45

NFRC 100/200/500 Summary Sheet
Windgate/Belmont/Hawthorne 2-Lite Slider

ID	Pane Thickness 1	Gap Width 1	Pane Thickness 2	Gap Width 2	Pane Thickness 3	Gap Width 3	Pane Thickness 4	Gap Fill	Low-e (Surface#)	Tint	Spacer	Grid Type
	U-Factor			Solar Heat Gain Coefficient (SHGC) Grids (None / <1 / >=1)				Visible Transmittance (VT) Grids (None / <1 / >=1)			Condensation Resistance	
1589	142.294 / Opt 3 (INN Refo KS/LS, Foam): lami / air / clr (DS 090 DS/DS) 3/4" IG											
	0.264	0.345	0.118					AIR		CL	P1-S	N,S
	U-Factor 0.45			SHGC (N / <1) 0.55 / 0.49				VT (N / <1) 0.61 / 0.55			CR 44	
	142.294 / Opt 3 (INN Refo KS/LS, Foam): clr / air / lami (DS/DS 090 DS) 3/4" IG											
	0.118	0.345	0.264					AIR		CL	P1-S	N,S
	U-Factor 0.45			SHGC (N / <1) 0.57 / 0.51				VT (N / <1) 0.61 / 0.55			CR 44	
1590	142.294 / Opt 3 (INN Refo KS/LS, Foam): lami / air / clr (DS 090 DS/DS) 3/4" IG											
	0.264	0.345	0.118					AIR		CL	P1-S	G,S
	U-Factor 0.46			SHGC (<1) 0.49				VT (<1) 0.55			CR 44	
	142.294 / Opt 3 (INN Refo KS/LS, Foam): clr / air / lami (DS/DS 090 DS) 3/4" IG											
	0.118	0.345	0.264					AIR		CL	P1-S	G,S
	U-Factor 0.46			SHGC (<1) 0.51				VT (<1) 0.55			CR 44	
1591	142.294 / Opt 3 (INN Refo KS/LS, Foam): clr / air / clr / air / clr (SS/SS/SS) 3/4" IG (P1-S)											
	0.087	0.250	0.087	0.250	0.087			AIR		CL	P1-S	N,S
	U-Factor 0.36			SHGC (N / <1) 0.55 / 0.49				VT (N / <1) 0.58 / 0.52			CR 53	
1592	142.294 / Opt 3 (INN Refo KS/LS, Foam): clr / air / clr / air / clr (SS/SS/SS) 3/4" IG (P1-S)											
	0.087	0.250	0.087	0.250	0.087			AIR		CL	P1-S	G,S
	U-Factor 0.37			SHGC (<1) 0.49				VT (<1) 0.52			CR 53	
1593	142.294 / Opt 3 (INN Refo KS/LS, Foam): E270 / air / clr (SS/SS) 3/4" IG											
	0.087	0.563	0.087					AIR	0.037(#2)	CL	P1-S	N,G,S
	U-Factor 0.30			SHGC (N / <1) 0.29 / 0.26				VT (N / <1) 0.54 / 0.48			CR 59	
	142.294 / Opt 3 (INN Refo KS/LS, Foam): clr / air / E270 (SS/SS) 3/4" IG											
	0.087	0.563	0.087					AIR	0.037(#3)	CL	P1-S	N,G,S
	U-Factor 0.30			SHGC (N / <1) 0.35 / 0.32				VT (N / <1) 0.54 / 0.48			CR 59	
1594	142.294 / Opt 3 (INN Refo KS/LS, Foam): E270 / arg / clr (SS/SS) 3/4" IG											
	0.087	0.563	0.087					ARG90	0.037(#2)	CL	P1-S	N,G,S
	U-Factor 0.27			SHGC (N / <1) 0.28 / 0.26				VT (N / <1) 0.54 / 0.48			CR 62	
	142.294 / Opt 3 (INN Refo KS/LS, Foam): clr / arg / E270 (SS/SS) 3/4" IG											
	0.087	0.563	0.087					ARG90	0.037(#3)	CL	P1-S	N,G,S
	U-Factor 0.27			SHGC (N / <1) 0.36 / 0.32				VT (N / <1) 0.54 / 0.48			CR 62	

NFRC 100/200/500 Summary Sheet
Windgate/Belmont/Hawthorne 2-Lite Slider

ID	Pane Thickness 1	Gap Width 1	Pane Thickness 2	Gap Width 2	Pane Thickness 3	Gap Width 3	Pane Thickness 4	Gap Fill	Low-e (Surface#)	Tint	Spacer	Grid Type
	U-Factor			Solar Heat Gain Coefficient (SHGC) Grids (None / <1 / >=1)				Visible Transmittance (VT) Grids (None / <1 / >=1)			Condensation Resistance	
1595	142.294 / Opt 3 (INN Refo KS/LS, Foam): E270 / air / clr (DS/DS) 3/4" IG											
	0.118	0.500	0.118					AIR	0.037(#2)	CL	P1-S	N,G,S
	U-Factor 0.30			SHGC (N / <1) 0.29 / 0.26				VT (N / <1) 0.53 / 0.47			CR	58
	142.294 / Opt 3 (INN Refo KS/LS, Foam): clr / air / E270 (DS/DS) 3/4" IG											
	0.118	0.500	0.118					AIR	0.037(#3)	CL	P1-S	N,G,S
	U-Factor 0.30			SHGC (N / <1) 0.35 / 0.31				VT (N / <1) 0.53 / 0.47			CR	58
1596	142.294 / Opt 3 (INN Refo KS/LS, Foam): E270 / arg / clr (DS/DS) 3/4" IG											
	0.118	0.500	0.118					ARG90	0.037(#2)	CL	P1-S	N,G,S
	U-Factor 0.26			SHGC (N / <1) 0.28 / 0.25				VT (N / <1) 0.53 / 0.47			CR	61
	142.294 / Opt 3 (INN Refo KS/LS, Foam): clr / arg / E270 (DS/DS) 3/4" IG											
	0.118	0.500	0.118					ARG90	0.037(#3)	CL	P1-S	N,G,S
	U-Factor 0.26			SHGC (N / <1) 0.35 / 0.32				VT (N / <1) 0.53 / 0.47			CR	61
1597	142.294 / Opt 3 (INN Refo KS/LS, Foam): lami / arg / E270 (DS 090 DS/DS) 3/4" IG											
	0.264	0.345	0.118					ARG90	0.037(#3)	CL	P1-S	N,S
	U-Factor 0.28			SHGC (N / <1) 0.33 / 0.30				VT (N / <1) 0.52 / 0.47			CR	59
	142.294 / Opt 3 (INN Refo KS/LS, Foam): E270 / arg / lami (DS/DS 090 DS) 3/4" IG											
	0.118	0.345	0.264					ARG90	0.037(#2)	CL	P1-S	N,S
	U-Factor 0.28			SHGC (N / <1) 0.28 / 0.25				VT (N / <1) 0.52 / 0.47			CR	59
1598	142.294 / Opt 3 (INN Refo KS/LS, Foam): lami / arg / E270 (DS 090 DS/DS) 3/4" IG											
	0.264	0.345	0.118					ARG90	0.037(#3)	CL	P1-S	G,S
	U-Factor 0.30			SHGC (<1) 0.30				VT (<1) 0.47			CR	59
	142.294 / Opt 3 (INN Refo KS/LS, Foam): E270 / arg / lami (DS/DS 090 DS) 3/4" IG											
	0.118	0.345	0.264					ARG90	0.037(#2)	CL	P1-S	G,S
	U-Factor 0.30			SHGC (<1) 0.25				VT (<1) 0.47			CR	59
1599	142.294 / Opt 3 (INN Refo KS/LS, Foam): E270 / arg / clr / arg / E270 (SS/SS/SS) 3/4" IG (P1-S)											
	0.087	0.250	0.087	0.250	0.087			ARG90	0.037(#2) / 0.037(#5)	CL	P1-S	N,S
	U-Factor 0.23			SHGC (N / <1) 0.24 / 0.22				VT (N / <1) 0.42 / 0.37			CR	68
1600	142.294 / Opt 3 (INN Refo KS/LS, Foam): E270 / arg / clr / arg / E270 (SS/SS/SS) 3/4" IG (P1-S)											
	0.087	0.250	0.087	0.250	0.087			ARG90	0.037(#2) / 0.037(#5)	CL	P1-S	G,S
	U-Factor 0.24			SHGC (<1) 0.22				VT (<1) 0.37			CR	68

NFRC 100/200/500 Summary Sheet
Windgate/Belmont/Hawthorne 2-Lite Slider

ID	Pane Thickness 1	Gap Width 1	Pane Thickness 2	Gap Width 2	Pane Thickness 3	Gap Width 3	Pane Thickness 4	Gap Fill	Low-e (Surface#)	Tint	Spacer	Grid Type
	U-Factor			Solar Heat Gain Coefficient (SHGC) Grids (None / <1 / >=1)				Visible Transmittance (VT) Grids (None / <1 / >=1)			Condensation Resistance	
1601	142.294 / Opt 3 (INN Refo KS/LS, Foam): E366 / air / clr (SS/SS) 3/4" IG											
	0.087	0.563	0.087					AIR	0.022(#2)	CL	P1-S	N,G,S
	U-Factor 0.30			SHGC (N / <1) 0.21 / 0.19				VT (N / <1) 0.50 / 0.44			CR	59
	142.294 / Opt 3 (INN Refo KS/LS, Foam): clr / air / E366 (SS/SS) 3/4" IG											
	0.087	0.563	0.087					AIR	0.022(#3)	CL	P1-S	N,G,S
	U-Factor 0.30			SHGC (N / <1) 0.30 / 0.27				VT (N / <1) 0.50 / 0.44			CR	59
1602	142.294 / Opt 3 (INN Refo KS/LS, Foam): E366 / arg / clr (SS/SS) 3/4" IG											
	0.087	0.563	0.087					ARG90	0.022(#2)	CL	P1-S	N,G,S
	U-Factor 0.26			SHGC (N / <1) 0.21 / 0.19				VT (N / <1) 0.50 / 0.44			CR	63
	142.294 / Opt 3 (INN Refo KS/LS, Foam): clr / arg / E366 (SS/SS) 3/4" IG											
	0.087	0.563	0.087					ARG90	0.022(#3)	CL	P1-S	N,G,S
	U-Factor 0.26			SHGC (N / <1) 0.30 / 0.27				VT (N / <1) 0.50 / 0.44			CR	63
1603	142.294 / Opt 3 (INN Refo KS/LS, Foam): E366 / air / clr (DS/DS) 3/4" IG											
	0.117	0.500	0.118					AIR	0.022(#2)	CL	P1-S	N,G,S
	U-Factor 0.29			SHGC (N / <1) 0.21 / 0.19				VT (N / <1) 0.49 / 0.44			CR	58
	142.294 / Opt 3 (INN Refo KS/LS, Foam): clr / air / E366 (DS/DS) 3/4" IG											
	0.118	0.500	0.117					AIR	0.022(#3)	CL	P1-S	N,G,S
	U-Factor 0.29			SHGC (N / <1) 0.29 / 0.27				VT (N / <1) 0.49 / 0.44			CR	58
1604	142.294 / Opt 3 (INN Refo KS/LS, Foam): E366 / arg / clr (DS/DS) 3/4" IG											
	0.117	0.500	0.118					ARG90	0.022(#2)	CL	P1-S	N,G,S
	U-Factor 0.26			SHGC (N / <1) 0.21 / 0.19				VT (N / <1) 0.49 / 0.44			CR	62
	142.294 / Opt 3 (INN Refo KS/LS, Foam): clr / arg / E366 (DS/DS) 3/4" IG											
	0.118	0.500	0.117					ARG90	0.022(#3)	CL	P1-S	N,G,S
	U-Factor 0.26			SHGC (N / <1) 0.30 / 0.27				VT (N / <1) 0.49 / 0.44			CR	62
1605	142.294 / Opt 3 (INN Refo KS/LS, Foam): lami / arg / E366 (DS 090 DS/DS) 3/4" IG											
	0.264	0.345	0.117					ARG90	0.022(#3)	CL	P1-S	N,S
	U-Factor 0.28			SHGC (N / <1) 0.29 / 0.26				VT (N / <1) 0.48 / 0.43			CR	60
	142.294 / Opt 3 (INN Refo KS/LS, Foam): E366 / arg / lami (DS/DS 090 DS) 3/4" IG											
	0.117	0.345	0.264					ARG90	0.022(#2)	CL	P1-S	N,S
	U-Factor 0.28			SHGC (N / <1) 0.21 / 0.19				VT (N / <1) 0.48 / 0.43			CR	60

NFRC 100/200/500 Summary Sheet
Windgate/Belmont/Hawthorne 2-Lite Slider

ID	Pane Thickness 1	Gap Width 1	Pane Thickness 2	Gap Width 2	Pane Thickness 3	Gap Width 3	Pane Thickness 4	Gap Fill	Low-e (Surface#)	Tint	Spacer	Grid Type
	U-Factor			Solar Heat Gain Coefficient (SHGC) Grids (None / <1 / >=1)				Visible Transmittance (VT) Grids (None / <1 / >=1)			Condensation Resistance	
1606	142.294 / Opt 3 (INN Refo KS/LS, Foam): lami / arg / E366 (DS 090 DS/DS) 3/4" IG											
	0.264	0.345	0.117					ARG90	0.022(#3)	CL	P1-S	G,S
	U-Factor 0.29			SHGC (<1) 0.26				VT (<1) 0.43			CR 60	
	142.294 / Opt 3 (INN Refo KS/LS, Foam): E366 / arg / lami (DS/DS 090 DS) 3/4" IG											
	0.117	0.345	0.264					ARG90	0.022(#2)	CL	P1-S	G,S
	U-Factor 0.29			SHGC (<1) 0.19				VT (<1) 0.43			CR 60	
1607	142.294 / Opt 3 (INN Refo KS/LS, Foam): E366 / arg / clr / arg / E366 (SS/SS/SS) 3/4" IG (P1-S)											
	0.087	0.250	0.087	0.250	0.087			ARG90	0.022(#2) / 0.022(#5)	CL	P1-S	N,S
	U-Factor 0.22			SHGC (N / <1) 0.19 / 0.17				VT (N / <1) 0.36 / 0.32			CR 68	
1608	142.294 / Opt 3 (INN Refo KS/LS, Foam): E366 / arg / clr / arg / E366 (SS/SS/SS) 3/4" IG (P1-S)											
	0.087	0.250	0.087	0.250	0.087			ARG90	0.022(#2) / 0.022(#5)	CL	P1-S	G,S
	U-Factor 0.23			SHGC (<1) 0.17				VT (<1) 0.32			CR 68	
1609	142.294 / Opt 3 (INN Refo KS/LS, Foam): 70/36 / air / clr (SS/SS) 3/4" IG											
	0.090	0.563	0.090					AIR	0.036(#2)	CL	P1-S	N,G,S
	U-Factor 0.30			SHGC (N / <1) 0.30 / 0.27				VT (N / <1) 0.54 / 0.48			CR 59	
	142.294 / Opt 3 (INN Refo KS/LS, Foam): clr / air / 70/36 (SS/SS) 3/4" IG											
	0.090	0.563	0.090					AIR	0.036(#3)	CL	P1-S	N,G,S
	U-Factor 0.30			SHGC (N / <1) 0.37 / 0.33				VT (N / <1) 0.54 / 0.48			CR 59	
1610	142.294 / Opt 3 (INN Refo KS/LS, Foam): 70/36 / arg / clr (SS/SS) 3/4" IG											
	0.090	0.563	0.090					ARG90	0.036(#2)	CL	P1-S	N,G,S
	U-Factor 0.27			SHGC (N / <1) 0.30 / 0.27				VT (N / <1) 0.54 / 0.48			CR 62	
	142.294 / Opt 3 (INN Refo KS/LS, Foam): clr / arg / 70/36 (SS/SS) 3/4" IG											
	0.090	0.563	0.090					ARG90	0.036(#3)	CL	P1-S	N,G,S
	U-Factor 0.27			SHGC (N / <1) 0.38 / 0.34				VT (N / <1) 0.54 / 0.48			CR 62	
1611	142.294 / Opt 3 (INN Refo KS/LS, Foam): 70/36 / air / clr (DS/DS) 3/4" IG											
	0.117	0.500	0.117					AIR	0.036(#2)	CL	P1-S	N,G,S
	U-Factor 0.30			SHGC (N / <1) 0.30 / 0.27				VT (N / <1) 0.53 / 0.47			CR 58	
	142.294 / Opt 3 (INN Refo KS/LS, Foam): clr / air / 70/36 (DS/DS) 3/4" IG											
	0.117	0.500	0.117					AIR	0.036(#3)	CL	P1-S	N,G,S
	U-Factor 0.30			SHGC (N / <1) 0.37 / 0.33				VT (N / <1) 0.53 / 0.47			CR 58	

**NFRC 100/200/500 Summary Sheet
Windgate/Belmont/Hawthorne 2-Lite Slider**

ID	Pane Thickness 1	Gap Width 1	Pane Thickness 2	Gap Width 2	Pane Thickness 3	Gap Width 3	Pane Thickness 4	Gap Fill	Low-e (Surface#)	Tint	Spacer	Grid Type
	U-Factor			Solar Heat Gain Coefficient (SHGC) Grids (None / <1 / >=1)				Visible Transmittance (VT) Grids (None / <1 / >=1)			Condensation Resistance	
1612	142.294 / Opt 3 (INN Refo KS/LS, Foam): 70/36 / arg / clr (DS/DS) 3/4" IG											
	0.117	0.500	0.117					ARG90	0.036(#2)	CL	P1-S	N,G,S
	U-Factor 0.26			SHGC (N / <1) 0.29 / 0.27				VT (N / <1) 0.53 / 0.47			CR 62	
	142.294 / Opt 3 (INN Refo KS/LS, Foam): clr / arg / 70/36 (DS/DS) 3/4" IG											
	0.117	0.500	0.117					ARG90	0.036(#3)	CL	P1-S	N,G,S
	U-Factor 0.26			SHGC (N / <1) 0.37 / 0.33				VT (N / <1) 0.53 / 0.47			CR 62	
1613	142.294 / Opt 3 (INN Refo KS/LS, Foam): lami / arg / 70/36 (DS 090 DS/DS) 3/4" IG											
	0.264	0.345	0.117					ARG90	0.036(#3)	CL	P1-S	N,S
	U-Factor 0.28			SHGC (N / <1) 0.35 / 0.32				VT (N / <1) 0.52 / 0.47			CR 59	
	142.294 / Opt 3 (INN Refo KS/LS, Foam): 70/36 / arg / lami (DS/DS 090 DS) 3/4" IG											
	0.117	0.345	0.264					ARG90	0.036(#2)	CL	P1-S	N,S
	U-Factor 0.28			SHGC (N / <1) 0.29 / 0.26				VT (N / <1) 0.52 / 0.47			CR 59	
1614	142.294 / Opt 3 (INN Refo KS/LS, Foam): lami / arg / 70/36 (DS 090 DS/DS) 3/4" IG											
	0.264	0.345	0.117					ARG90	0.036(#3)	CL	P1-S	G,S
	U-Factor 0.30			SHGC (<1) 0.32				VT (<1) 0.47			CR 59	
	142.294 / Opt 3 (INN Refo KS/LS, Foam): 70/36 / arg / lami (DS/DS 090 DS) 3/4" IG											
	0.117	0.345	0.264					ARG90	0.036(#2)	CL	P1-S	G,S
	U-Factor 0.30			SHGC (<1) 0.26				VT (<1) 0.47			CR 59	
1615	142.294 / Opt 3 (INN Refo KS/LS, Foam): 70/36 / arg / clr / arg / 70/36 (SS/SS/SS) 3/4" IG											
	0.090	0.250	0.090	0.250	0.090			ARG90	0.036(#2) / 0.036(#5)	CL	P1-S	N,S
	U-Factor 0.23			SHGC (N / <1) 0.26 / 0.23				VT (N / <1) 0.42 / 0.37			CR 68	
1616	142.294 / Opt 3 (INN Refo KS/LS, Foam): 70/36 / arg / clr / arg / 70/36 (SS/SS/SS) 3/4" IG											
	0.090	0.250	0.090	0.250	0.090			ARG90	0.036(#2) / 0.036(#5)	CL	P1-S	G,S
	U-Factor 0.24			SHGC (<1) 0.23				VT (<1) 0.37			CR 68	
1617	142.294 / Opt 3 (INN Refo KS/LS, Foam): 80/70 / air / clr (SS/SS) 3/4" IG											
	0.090	0.563	0.090					AIR	0.095(#2)	CL	P1-S	N,G,S
	U-Factor 0.32			SHGC (N / <1) 0.51 / 0.46				VT (N / <1) 0.62 / 0.55			CR 57	
	142.294 / Opt 3 (INN Refo KS/LS, Foam): clr / air / 80/70 (SS/SS) 3/4" IG											
	0.090	0.563	0.090					AIR	0.095(#3)	CL	P1-S	N,G,S
	U-Factor 0.32			SHGC (N / <1) 0.54 / 0.49				VT (N / <1) 0.62 / 0.55			CR 57	

**NFRC 100/200/500 Summary Sheet
Windgate/Belmont/Hawthorne 2-Lite Slider**

ID	Pane Thickness 1	Gap Width 1	Pane Thickness 2	Gap Width 2	Pane Thickness 3	Gap Width 3	Pane Thickness 4	Gap Fill	Low-e (Surface#)	Tint	Spacer	Grid Type
	U-Factor			Solar Heat Gain Coefficient (SHGC) Grids (None / <1 / >=1)				Visible Transmittance (VT) Grids (None / <1 / >=1)			Condensation Resistance	
1618	142.294 / Opt 3 (INN Refo KS/LS, Foam): 80/70 / arg / clr (SS/SS) 3/4" IG											
	0.090	0.563	0.090					ARG90	0.095(#2)	CL	P1-S	N,G,S
	U-Factor 0.28			SHGC (N / <1) 0.51 / 0.46				VT (N / <1) 0.62 / 0.55			CR	61
	142.294 / Opt 3 (INN Refo KS/LS, Foam): clr / arg / 80/70 (SS/SS) 3/4" IG											
	0.090	0.563	0.090					ARG90	0.095(#3)	CL	P1-S	N,G,S
	U-Factor 0.28			SHGC (N / <1) 0.54 / 0.49				VT (N / <1) 0.62 / 0.55			CR	61
1619	142.294 / Opt 3 (INN Refo KS/LS, Foam): 80/70 / air / clr (DS/DS) 3/4" IG											
	0.117	0.500	0.117					AIR	0.095(#2)	CL	P1-S	N,G,S
	U-Factor 0.31			SHGC (N / <1) 0.51 / 0.45				VT (N / <1) 0.61 / 0.55			CR	56
	142.294 / Opt 3 (INN Refo KS/LS, Foam): clr / air / 80/70 (DS/DS) 3/4" IG											
	0.117	0.500	0.117					AIR	0.095(#3)	CL	P1-S	N,G,S
	U-Factor 0.31			SHGC (N / <1) 0.53 / 0.48				VT (N / <1) 0.61 / 0.55			CR	56
1620	142.294 / Opt 3 (INN Refo KS/LS, Foam): 80/70 / arg / clr (DS/DS) 3/4" IG											
	0.117	0.500	0.117					ARG90	0.095(#2)	CL	P1-S	N,G,S
	U-Factor 0.28			SHGC (N / <1) 0.51 / 0.45				VT (N / <1) 0.61 / 0.55			CR	60
	142.294 / Opt 3 (INN Refo KS/LS, Foam): clr / arg / 80/70 (DS/DS) 3/4" IG											
	0.117	0.500	0.117					ARG90	0.095(#3)	CL	P1-S	N,G,S
	U-Factor 0.28			SHGC (N / <1) 0.54 / 0.48				VT (N / <1) 0.61 / 0.55			CR	60
1621	142.294 / Opt 3 (INN Refo KS/LS, Foam): lami / arg / 80/70 (DS 090 DS/DS) 3/4" IG											
	0.264	0.345	0.117					ARG90	0.095(#3)	CL	P1-S	N,S
	U-Factor 0.30			SHGC (N / <1) 0.49 / 0.44				VT (N / <1) 0.60 / 0.54			CR	58
	142.294 / Opt 3 (INN Refo KS/LS, Foam): 80/70 / arg / lami (DS/DS 090 DS) 3/4" IG											
	0.117	0.345	0.264					ARG90	0.095(#2)	CL	P1-S	N,S
	U-Factor 0.30			SHGC (N / <1) 0.50 / 0.45				VT (N / <1) 0.60 / 0.54			CR	58
1622	142.294 / Opt 3 (INN Refo KS/LS, Foam): lami / arg / 80/70 (DS 090 DS/DS) 3/4" IG											
	0.264	0.345	0.117					ARG90	0.095(#3)	CL	P1-S	G,S
	U-Factor 0.31			SHGC (<1) 0.44				VT (<1) 0.54			CR	58
	142.294 / Opt 3 (INN Refo KS/LS, Foam): 80/70 / arg / lami (DS/DS 090 DS) 3/4" IG											
	0.117	0.345	0.264					ARG90	0.095(#2)	CL	P1-S	G,S
	U-Factor 0.31			SHGC (<1) 0.45				VT (<1) 0.54			CR	58

NFRC 100/200/500 Summary Sheet
Windgate/Belmont/Hawthorne 2-Lite Slider

ID	Pane Thickness 1	Gap Width 1	Pane Thickness 2	Gap Width 2	Pane Thickness 3	Gap Width 3	Pane Thickness 4	Gap Fill	Low-e (Surface#)	Tint	Spacer	Grid Type
	U-Factor			Solar Heat Gain Coefficient (SHGC) Grids (None / <1 / >=1)				Visible Transmittance (VT) Grids (None / <1 / >=1)			Condensation Resistance	
1623	142.294 / Opt 3 (INN Refo KS/LS, Foam): 80/70 / arg / clr / arg / 80/70 (SS/SS/SS) 3/4" IG											
	0.090	0.250	0.090	0.250	0.090			ARG90	0.095(#2) / 0.095(#5)	CL	P1-S	N,S
	U-Factor 0.24			SHGC (N / <1) 0.45 / 0.41				VT (N / <1) 0.56 / 0.50			CR	66
1624	142.294 / Opt 3 (INN Refo KS/LS, Foam): 80/70 / arg / clr / arg / 80/70 (SS/SS/SS) 3/4" IG											
	0.090	0.250	0.090	0.250	0.090			ARG90	0.095(#2) / 0.095(#5)	CL	P1-S	G,S
	U-Factor 0.25			SHGC (<1) 0.41				VT (<1) 0.50			CR	66
1625	142.294 / Opt 3 (INN Refo KS/LS, Foam): clr / air / clr (SS/SS) 3/4" IG											
	0.087	0.563	0.087					AIR		CL	SS-D	N,G,S
	U-Factor 0.44			SHGC (N / <1) 0.61 / 0.54				VT (N / <1) 0.63 / 0.56			CR	44
1626	142.294 / Opt 3 (INN Refo KS/LS, Foam): clr / air / clr (DS/DS) 3/4" IG											
	0.118	0.500	0.118					AIR		CL	SS-D	N,G,S
	U-Factor 0.44			SHGC (N / <1) 0.59 / 0.53				VT (N / <1) 0.62 / 0.56			CR	44
1627	142.294 / Opt 3 (INN Refo KS/LS, Foam): clr / air / clr (5mm/DS) 3/4" IG											
	0.185	0.438	0.118					AIR		CL	SS-D	N,G,S
	U-Factor 0.45			SHGC (N / <1) 0.57 / 0.51				VT (N / <1) 0.62 / 0.55			CR	44
1628	142.294 / Opt 3 (INN Refo KS/LS, Foam): clr / air / clr (5mm/DS) 3/4" IG											
	0.185	0.438	0.118					AIR		CL	SS-D	G
	U-Factor 0.45			SHGC (<1) 0.51				VT (<1) 0.55			CR	44
1629	142.294 / Opt 3 (INN Refo KS/LS, Foam): lami / air / clr (DS 090 DS/DS) 3/4" IG											
	0.264	0.345	0.118					AIR		CL	SS-D	N,S
	U-Factor 0.46			SHGC (N / <1) 0.55 / 0.49				VT (N / <1) 0.61 / 0.55			CR	42
1630	142.294 / Opt 3 (INN Refo KS/LS, Foam): clr / air / lami (DS/DS 090 DS) 3/4" IG											
	0.118	0.345	0.264					AIR		CL	SS-D	N,S
	U-Factor 0.46			SHGC (N / <1) 0.57 / 0.51				VT (N / <1) 0.61 / 0.55			CR	42
1630	142.294 / Opt 3 (INN Refo KS/LS, Foam): lami / air / clr (DS 090 DS/DS) 3/4" IG											
	0.264	0.345	0.118					AIR		CL	SS-D	G,S
	U-Factor 0.47			SHGC (<1) 0.49				VT (<1) 0.55			CR	42
1630	142.294 / Opt 3 (INN Refo KS/LS, Foam): clr / air / lami (DS/DS 090 DS) 3/4" IG											
	0.118	0.345	0.264					AIR		CL	SS-D	G,S
	U-Factor 0.47			SHGC (<1) 0.51				VT (<1) 0.55			CR	42

**NFRC 100/200/500 Summary Sheet
Windgate/Belmont/Hawthorne 2-Lite Slider**

ID	Pane Thickness 1	Gap Width 1	Pane Thickness 2	Gap Width 2	Pane Thickness 3	Gap Width 3	Pane Thickness 4	Gap Fill	Low-e (Surface#)	Tint	Spacer	Grid Type
	U-Factor			Solar Heat Gain Coefficient (SHGC) Grids (None / <1 / >=1)				Visible Transmittance (VT) Grids (None / <1 / >=1)			Condensation Resistance	
1631	142.294 / Opt 3 (INN Refo KS/LS, Foam): clr / air / clr / air / clr (SS/SS/SS) 3/4" IG (P1-S)											
	0.087	0.250	0.087	0.250	0.087			AIR		CL	SS-D	N,S
	U-Factor 0.37			SHGC (N / <1) 0.55 / 0.49				VT (N / <1) 0.58 / 0.52			CR 52	
1632	142.294 / Opt 3 (INN Refo KS/LS, Foam): clr / air / clr / air / clr (SS/SS/SS) 3/4" IG (P1-S)											
	0.087	0.250	0.087	0.250	0.087			AIR		CL	SS-D	G,S
	U-Factor 0.38			SHGC (<1) 0.49				VT (<1) 0.52			CR 52	
1633	142.294 / Opt 3 (INN Refo KS/LS, Foam): E270 / air / clr (SS/SS) 3/4" IG											
	0.087	0.563	0.087					AIR	0.037(#2)	CL	SS-D	N,G,S
	U-Factor 0.31			SHGC (N / <1) 0.29 / 0.26				VT (N / <1) 0.54 / 0.48			CR 56	
	142.294 / Opt 3 (INN Refo KS/LS, Foam): clr / air / E270 (SS/SS) 3/4" IG											
	0.087	0.563	0.087					AIR	0.037(#3)	CL	SS-D	N,G,S
	U-Factor 0.31			SHGC (N / <1) 0.35 / 0.32				VT (N / <1) 0.54 / 0.48			CR 56	
1634	142.294 / Opt 3 (INN Refo KS/LS, Foam): E270 / arg / clr (SS/SS) 3/4" IG											
	0.087	0.563	0.087					ARG90	0.037(#2)	CL	SS-D	N,G,S
	U-Factor 0.28			SHGC (N / <1) 0.28 / 0.26				VT (N / <1) 0.54 / 0.48			CR 59	
	142.294 / Opt 3 (INN Refo KS/LS, Foam): clr / arg / E270 (SS/SS) 3/4" IG											
	0.087	0.563	0.087					ARG90	0.037(#3)	CL	SS-D	N,G,S
	U-Factor 0.28			SHGC (N / <1) 0.36 / 0.32				VT (N / <1) 0.54 / 0.48			CR 59	
1635	142.294 / Opt 3 (INN Refo KS/LS, Foam): E270 / air / clr (DS/DS) 3/4" IG											
	0.118	0.500	0.118					AIR	0.037(#2)	CL	SS-D	N,G,S
	U-Factor 0.31			SHGC (N / <1) 0.29 / 0.26				VT (N / <1) 0.53 / 0.47			CR 55	
	142.294 / Opt 3 (INN Refo KS/LS, Foam): clr / air / E270 (DS/DS) 3/4" IG											
	0.118	0.500	0.118					AIR	0.037(#3)	CL	SS-D	N,G,S
	U-Factor 0.31			SHGC (N / <1) 0.35 / 0.31				VT (N / <1) 0.53 / 0.47			CR 55	
1636	142.294 / Opt 3 (INN Refo KS/LS, Foam): E270 / arg / clr (DS/DS) 3/4" IG											
	0.118	0.500	0.118					ARG90	0.037(#2)	CL	SS-D	N,G,S
	U-Factor 0.27			SHGC (N / <1) 0.28 / 0.25				VT (N / <1) 0.53 / 0.47			CR 58	
	142.294 / Opt 3 (INN Refo KS/LS, Foam): clr / arg / E270 (DS/DS) 3/4" IG											
	0.118	0.500	0.118					ARG90	0.037(#3)	CL	SS-D	N,G,S
	U-Factor 0.27			SHGC (N / <1) 0.35 / 0.32				VT (N / <1) 0.53 / 0.47			CR 58	

**NFRC 100/200/500 Summary Sheet
Windgate/Belmont/Hawthorne 2-Lite Slider**

ID	Pane Thickness 1	Gap Width 1	Pane Thickness 2	Gap Width 2	Pane Thickness 3	Gap Width 3	Pane Thickness 4	Gap Fill	Low-e (Surface#)	Tint	Spacer	Grid Type
	U-Factor			Solar Heat Gain Coefficient (SHGC) Grids (None / <1 / >=1)				Visible Transmittance (VT) Grids (None / <1 / >=1)			Condensation Resistance	
1637	142.294 / Opt 3 (INN Refo KS/LS, Foam): lami / arg / E270 (DS 090 DS/DS) 3/4" IG											
	0.264	0.345	0.118					ARG90	0.037(#3)	CL	SS-D	N,S
	U-Factor 0.29			SHGC (N / <1) 0.33 / 0.30				VT (N / <1) 0.52 / 0.47			CR	56
	142.294 / Opt 3 (INN Refo KS/LS, Foam): E270 / arg / lami (DS/DS 090 DS) 3/4" IG											
	0.118	0.345	0.264					ARG90	0.037(#2)	CL	SS-D	N,S
	U-Factor 0.29			SHGC (N / <1) 0.28 / 0.25				VT (N / <1) 0.52 / 0.47			CR	56
1638	142.294 / Opt 3 (INN Refo KS/LS, Foam): lami / arg / E270 (DS 090 DS/DS) 3/4" IG											
	0.264	0.345	0.118					ARG90	0.037(#3)	CL	SS-D	G,S
	U-Factor 0.31			SHGC (<1) 0.30				VT (<1) 0.47			CR	56
	142.294 / Opt 3 (INN Refo KS/LS, Foam): E270 / arg / lami (DS/DS 090 DS) 3/4" IG											
	0.118	0.345	0.264					ARG90	0.037(#2)	CL	SS-D	G,S
	U-Factor 0.31			SHGC (<1) 0.25				VT (<1) 0.47			CR	56
1639	142.294 / Opt 3 (INN Refo KS/LS, Foam): E270 / arg / clr / arg / E270 (SS/SS/SS) 3/4" IG (SS-D)											
	0.087	0.266	0.087	0.266	0.087			ARG90	0.037(#2) / 0.037(#5)	CL	SS-D	N,S
	U-Factor 0.23			SHGC (N / <1) 0.24 / 0.22				VT (N / <1) 0.42 / 0.37			CR	66
1640	142.294 / Opt 3 (INN Refo KS/LS, Foam): E270 / arg / clr / arg / E270 (SS/SS/SS) 3/4" IG (SS-D)											
	0.087	0.266	0.087	0.266	0.087			ARG90	0.037(#2) / 0.037(#5)	CL	SS-D	G,S
	U-Factor 0.24			SHGC (<1) 0.22				VT (<1) 0.37			CR	66
1641	142.294 / Opt 3 (INN Refo KS/LS, Foam): E366 / air / clr (SS/SS) 3/4" IG											
	0.087	0.563	0.087					AIR	0.022(#2)	CL	SS-D	N,G,S
	U-Factor 0.31			SHGC (N / <1) 0.21 / 0.19				VT (N / <1) 0.50 / 0.44			CR	56
	142.294 / Opt 3 (INN Refo KS/LS, Foam): clr / air / E366 (SS/SS) 3/4" IG											
	0.087	0.563	0.087					AIR	0.022(#3)	CL	SS-D	N,G,S
	U-Factor 0.31			SHGC (N / <1) 0.30 / 0.27				VT (N / <1) 0.50 / 0.44			CR	56
1642	142.294 / Opt 3 (INN Refo KS/LS, Foam): E366 / arg / clr (SS/SS) 3/4" IG											
	0.087	0.563	0.087					ARG90	0.022(#2)	CL	SS-D	N,G,S
	U-Factor 0.27			SHGC (N / <1) 0.21 / 0.19				VT (N / <1) 0.50 / 0.44			CR	59
	142.294 / Opt 3 (INN Refo KS/LS, Foam): clr / arg / E366 (SS/SS) 3/4" IG											
	0.087	0.563	0.087					ARG90	0.022(#3)	CL	SS-D	N,G,S
	U-Factor 0.27			SHGC (N / <1) 0.30 / 0.27				VT (N / <1) 0.50 / 0.44			CR	59

NFRC 100/200/500 Summary Sheet
Windgate/Belmont/Hawthorne 2-Lite Slider

ID	Pane Thickness 1	Gap Width 1	Pane Thickness 2	Gap Width 2	Pane Thickness 3	Gap Width 3	Pane Thickness 4	Gap Fill	Low-e (Surface#)	Tint	Spacer	Grid Type
	U-Factor			Solar Heat Gain Coefficient (SHGC) Grids (None / <1 / >=1)				Visible Transmittance (VT) Grids (None / <1 / >=1)			Condensation Resistance	
1643	142.294 / Opt 3 (INN Refo KS/LS, Foam): E366 / air / clr (DS/DS) 3/4" IG											
	0.117	0.500	0.118					AIR	0.022(#2)	CL	SS-D	N,G,S
	U-Factor 0.30			SHGC (N / <1) 0.21 / 0.19				VT (N / <1) 0.49 / 0.44			CR 55	
	142.294 / Opt 3 (INN Refo KS/LS, Foam): clr / air / E366 (DS/DS) 3/4" IG											
	0.118	0.500	0.117					AIR	0.022(#3)	CL	SS-D	N,G,S
	U-Factor 0.30			SHGC (N / <1) 0.29 / 0.27				VT (N / <1) 0.49 / 0.44			CR 55	
1644	142.294 / Opt 3 (INN Refo KS/LS, Foam): E366 / arg / clr (DS/DS) 3/4" IG											
	0.117	0.500	0.118					ARG90	0.022(#2)	CL	SS-D	N,G,S
	U-Factor 0.27			SHGC (N / <1) 0.21 / 0.19				VT (N / <1) 0.49 / 0.44			CR 59	
	142.294 / Opt 3 (INN Refo KS/LS, Foam): clr / arg / E366 (DS/DS) 3/4" IG											
	0.118	0.500	0.117					ARG90	0.022(#3)	CL	SS-D	N,G,S
	U-Factor 0.27			SHGC (N / <1) 0.30 / 0.27				VT (N / <1) 0.49 / 0.44			CR 59	
1645	142.294 / Opt 3 (INN Refo KS/LS, Foam): lami / arg / E366 (DS 090 DS/DS) 3/4" IG											
	0.264	0.345	0.117					ARG90	0.022(#3)	CL	SS-D	N,S
	U-Factor 0.29			SHGC (N / <1) 0.29 / 0.26				VT (N / <1) 0.48 / 0.43			CR 56	
	142.294 / Opt 3 (INN Refo KS/LS, Foam): E366 / arg / lami (DS/DS 090 DS) 3/4" IG											
	0.117	0.345	0.264					ARG90	0.022(#2)	CL	SS-D	N,S
	U-Factor 0.29			SHGC (N / <1) 0.21 / 0.19				VT (N / <1) 0.48 / 0.43			CR 56	
1646	142.294 / Opt 3 (INN Refo KS/LS, Foam): lami / arg / E366 (DS 090 DS/DS) 3/4" IG											
	0.264	0.345	0.117					ARG90	0.022(#3)	CL	SS-D	G,S
	U-Factor 0.30			SHGC (<1) 0.26				VT (<1) 0.43			CR 56	
	142.294 / Opt 3 (INN Refo KS/LS, Foam): E366 / arg / lami (DS/DS 090 DS) 3/4" IG											
	0.117	0.345	0.264					ARG90	0.022(#2)	CL	SS-D	G,S
	U-Factor 0.30			SHGC (<1) 0.19				VT (<1) 0.43			CR 56	
1647	142.294 / Opt 3 (INN Refo KS/LS, Foam): E366 / arg / clr / arg / E366 (SS/SS/SS) 3/4" IG (SS-D)											
	0.087	0.266	0.087	0.266	0.087			ARG90	0.022(#2) / 0.022(#5)	CL	SS-D	N,S
	U-Factor 0.23			SHGC (N / <1) 0.19 / 0.17				VT (N / <1) 0.36 / 0.32			CR 66	
1648	142.294 / Opt 3 (INN Refo KS/LS, Foam): E366 / arg / clr / arg / E366 (SS/SS/SS) 3/4" IG (SS-D)											
	0.087	0.266	0.087	0.266	0.087			ARG90	0.022(#2) / 0.022(#5)	CL	SS-D	G,S
	U-Factor 0.23			SHGC (<1) 0.17				VT (<1) 0.32			CR 66	

NFRC 100/200/500 Summary Sheet
Windgate/Belmont/Hawthorne 2-Lite Slider

ID	Pane Thickness 1	Gap Width 1	Pane Thickness 2	Gap Width 2	Pane Thickness 3	Gap Width 3	Pane Thickness 4	Gap Fill	Low-e (Surface#)	Tint	Spacer	Grid Type
	U-Factor			Solar Heat Gain Coefficient (SHGC) Grids (None / <1 / >=1)				Visible Transmittance (VT) Grids (None / <1 / >=1)			Condensation Resistance	
1649	142.294 / Opt 3 (INN Refo KS/LS, Foam): clr / air / clr (SS/SS) 3/4" IG											
	0.087	0.563	0.087					AIR		CL	TS-D	N,G,S
	U-Factor 0.45			SHGC (N / <1) 0.61 / 0.54				VT (N / <1) 0.63 / 0.56			CR 44	
1650	142.294 / Opt 3 (INN Refo KS/LS, Foam): clr / air / clr (DS/DS) 3/4" IG											
	0.118	0.500	0.118					AIR		CL	TS-D	N,G,S
	U-Factor 0.45			SHGC (N / <1) 0.59 / 0.53				VT (N / <1) 0.62 / 0.56			CR 43	
1651	142.294 / Opt 3 (INN Refo KS/LS, Foam): clr / air / clr (5mm/DS) 3/4" IG											
	0.185	0.438	0.118					AIR		CL	TS-D	N,G,S
	U-Factor 0.45			SHGC (N / <1) 0.57 / 0.51				VT (N / <1) 0.62 / 0.55			CR 43	
1652	142.294 / Opt 3 (INN Refo KS/LS, Foam): clr / air / clr (5mm/DS) 3/4" IG											
	0.185	0.438	0.118					AIR		CL	TS-D	G
	U-Factor 0.45			SHGC (<1) 0.51				VT (<1) 0.55			CR 43	
1653	142.294 / Opt 3 (INN Refo KS/LS, Foam): lami / air / clr (DS 090 DS/DS) 3/4" IG											
	0.264	0.345	0.118					AIR		CL	TS-D	N,S
	U-Factor 0.46			SHGC (N / <1) 0.55 / 0.49				VT (N / <1) 0.61 / 0.55			CR 42	
	142.294 / Opt 3 (INN Refo KS/LS, Foam): clr / air / lami (DS/DS 090 DS) 3/4" IG											
	0.118	0.345	0.264					AIR		CL	TS-D	N,S
	U-Factor 0.46			SHGC (N / <1) 0.57 / 0.51				VT (N / <1) 0.61 / 0.55			CR 42	
1654	142.294 / Opt 3 (INN Refo KS/LS, Foam): lami / air / clr (DS 090 DS/DS) 3/4" IG											
	0.264	0.345	0.118					AIR		CL	TS-D	G,S
	U-Factor 0.47			SHGC (<1) 0.49				VT (<1) 0.55			CR 42	
	142.294 / Opt 3 (INN Refo KS/LS, Foam): clr / air / lami (DS/DS 090 DS) 3/4" IG											
	0.118	0.345	0.264					AIR		CL	TS-D	G,S
	U-Factor 0.47			SHGC (<1) 0.51				VT (<1) 0.55			CR 42	
1655	142.294 / Opt 3 (INN Refo KS/LS, Foam): clr / air / clr / air / clr (SS/SS/SS) 3/4" IG (P1-S)											
	0.087	0.250	0.087	0.250	0.087			AIR		CL	TS-D	N,S
	U-Factor 0.37			SHGC (N / <1) 0.55 / 0.49				VT (N / <1) 0.58 / 0.52			CR 51	
1656	142.294 / Opt 3 (INN Refo KS/LS, Foam): clr / air / clr / air / clr (SS/SS/SS) 3/4" IG (P1-S)											
	0.087	0.250	0.087	0.250	0.087			AIR		CL	TS-D	G,S
	U-Factor 0.38			SHGC (<1) 0.49				VT (<1) 0.52			CR 51	

NFRC 100/200/500 Summary Sheet
Windgate/Belmont/Hawthorne 2-Lite Slider

ID	Pane Thickness 1	Gap Width 1	Pane Thickness 2	Gap Width 2	Pane Thickness 3	Gap Width 3	Pane Thickness 4	Gap Fill	Low-e (Surface#)	Tint	Spacer	Grid Type
	U-Factor			Solar Heat Gain Coefficient (SHGC) Grids (None / <1 / >=1)				Visible Transmittance (VT) Grids (None / <1 / >=1)			Condensation Resistance	
1657	142.294 / Opt 3 (INN Refo KS/LS, Foam): 70/36 / air / clr (SS/SS) 3/4" IG											
	0.090	0.563	0.090					AIR	0.036(#2)	CL	TS-D	N,G,S
	U-Factor 0.31			SHGC (N / <1) 0.30 / 0.27				VT (N / <1) 0.54 / 0.48			CR 55	
	142.294 / Opt 3 (INN Refo KS/LS, Foam): clr / air / 70/36 (SS/SS) 3/4" IG											
	0.090	0.563	0.090					AIR	0.036(#3)	CL	TS-D	N,G,S
	U-Factor 0.31			SHGC (N / <1) 0.37 / 0.33				VT (N / <1) 0.54 / 0.48			CR 55	
1658	142.294 / Opt 3 (INN Refo KS/LS, Foam): 70/36 / arg / clr (SS/SS) 3/4" IG											
	0.090	0.563	0.090					ARG90	0.036(#2)	CL	TS-D	N,G,S
	U-Factor 0.28			SHGC (N / <1) 0.30 / 0.27				VT (N / <1) 0.54 / 0.48			CR 58	
	142.294 / Opt 3 (INN Refo KS/LS, Foam): clr / arg / 70/36 (SS/SS) 3/4" IG											
	0.090	0.563	0.090					ARG90	0.036(#3)	CL	TS-D	N,G,S
	U-Factor 0.28			SHGC (N / <1) 0.38 / 0.34				VT (N / <1) 0.54 / 0.48			CR 58	
1659	142.294 / Opt 3 (INN Refo KS/LS, Foam): 70/36 / air / clr (DS/DS) 3/4" IG											
	0.117	0.500	0.117					AIR	0.036(#2)	CL	TS-D	N,G,S
	U-Factor 0.31			SHGC (N / <1) 0.30 / 0.27				VT (N / <1) 0.53 / 0.47			CR 53	
	142.294 / Opt 3 (INN Refo KS/LS, Foam): clr / air / 70/36 (DS/DS) 3/4" IG											
	0.117	0.500	0.117					AIR	0.036(#3)	CL	TS-D	N,G,S
	U-Factor 0.31			SHGC (N / <1) 0.37 / 0.33				VT (N / <1) 0.53 / 0.47			CR 53	
1660	142.294 / Opt 3 (INN Refo KS/LS, Foam): 70/36 / arg / clr (DS/DS) 3/4" IG											
	0.117	0.500	0.117					ARG90	0.036(#2)	CL	TS-D	N,G,S
	U-Factor 0.28			SHGC (N / <1) 0.29 / 0.27				VT (N / <1) 0.53 / 0.47			CR 56	
	142.294 / Opt 3 (INN Refo KS/LS, Foam): clr / arg / 70/36 (DS/DS) 3/4" IG											
	0.117	0.500	0.117					ARG90	0.036(#3)	CL	TS-D	N,G,S
	U-Factor 0.28			SHGC (N / <1) 0.37 / 0.33				VT (N / <1) 0.53 / 0.47			CR 56	
1661	142.294 / Opt 3 (INN Refo KS/LS, Foam): lami / arg / 70/36 (DS 090 DS/DS) 3/4" IG											
	0.264	0.345	0.117					ARG90	0.036(#3)	CL	TS-D	N,S
	U-Factor 0.30			SHGC (N / <1) 0.35 / 0.32				VT (N / <1) 0.52 / 0.47			CR 55	
	142.294 / Opt 3 (INN Refo KS/LS, Foam): 70/36 / arg / lami (DS/DS 090 DS) 3/4" IG											
	0.117	0.345	0.264					ARG90	0.036(#2)	CL	TS-D	N,S
	U-Factor 0.30			SHGC (N / <1) 0.29 / 0.26				VT (N / <1) 0.52 / 0.47			CR 55	

NFRC 100/200/500 Summary Sheet
Windgate/Belmont/Hawthorne 2-Lite Slider

ID	Pane Thickness 1	Gap Width 1	Pane Thickness 2	Gap Width 2	Pane Thickness 3	Gap Width 3	Pane Thickness 4	Gap Fill	Low-e (Surface#)	Tint	Spacer	Grid Type
	U-Factor			Solar Heat Gain Coefficient (SHGC) Grids (None / <1 / >=1)				Visible Transmittance (VT) Grids (None / <1 / >=1)			Condensation Resistance	
1662	142.294 / Opt 3 (INN Refo KS/LS, Foam): lami / arg / 70/36 (DS 090 DS/DS) 3/4" IG											
	0.264	0.345	0.117					ARG90	0.036(#3)	CL	TS-D	G,S
	U-Factor 0.31			SHGC (<1) 0.32				VT (<1) 0.47			CR 55	
	142.294 / Opt 3 (INN Refo KS/LS, Foam): 70/36 / arg / lami (DS/DS 090 DS) 3/4" IG											
	0.117	0.345	0.264					ARG90	0.036(#2)	CL	TS-D	G,S
	U-Factor 0.31			SHGC (<1) 0.26				VT (<1) 0.47			CR 55	
1663	142.294 / Opt 3 (INN Refo KS/LS, Foam): 70/36 / arg / clr / arg / 70/36 (SS/SS/SS) 3/4" IG											
	0.090	0.250	0.090	0.250	0.090			ARG90	0.036(#2) / 0.036(#5)	CL	TS-D	N,S
	U-Factor 0.24			SHGC (N / <1) 0.26 / 0.23				VT (N / <1) 0.42 / 0.37			CR 62	
1664	142.294 / Opt 3 (INN Refo KS/LS, Foam): 70/36 / arg / clr / arg / 70/36 (SS/SS/SS) 3/4" IG											
	0.090	0.250	0.090	0.250	0.090			ARG90	0.036(#2) / 0.036(#5)	CL	TS-D	G,S
	U-Factor 0.25			SHGC (<1) 0.23				VT (<1) 0.37			CR 62	
1665	142.294 / Opt 3 (INN Refo KS/LS, Foam): 80/70 / air / clr (SS/SS) 3/4" IG											
	0.090	0.563	0.090					AIR	0.095(#2)	CL	TS-D	N,G,S
	U-Factor 0.33			SHGC (N / <1) 0.51 / 0.46				VT (N / <1) 0.62 / 0.55			CR 53	
	142.294 / Opt 3 (INN Refo KS/LS, Foam): clr / air / 80/70 (SS/SS) 3/4" IG											
	0.090	0.563	0.090					AIR	0.095(#3)	CL	TS-D	N,G,S
	U-Factor 0.33			SHGC (N / <1) 0.54 / 0.49				VT (N / <1) 0.62 / 0.55			CR 53	
1666	142.294 / Opt 3 (INN Refo KS/LS, Foam): 80/70 / arg / clr (SS/SS) 3/4" IG											
	0.090	0.563	0.090					ARG90	0.095(#2)	CL	TS-D	N,G,S
	U-Factor 0.30			SHGC (N / <1) 0.51 / 0.46				VT (N / <1) 0.62 / 0.55			CR 56	
	142.294 / Opt 3 (INN Refo KS/LS, Foam): clr / arg / 80/70 (SS/SS) 3/4" IG											
	0.090	0.563	0.090					ARG90	0.095(#3)	CL	TS-D	N,G,S
	U-Factor 0.30			SHGC (N / <1) 0.54 / 0.49				VT (N / <1) 0.62 / 0.55			CR 56	
1667	142.294 / Opt 3 (INN Refo KS/LS, Foam): 80/70 / air / clr (DS/DS) 3/4" IG											
	0.117	0.500	0.117					AIR	0.095(#2)	CL	TS-D	N,G,S
	U-Factor 0.33			SHGC (N / <1) 0.51 / 0.45				VT (N / <1) 0.61 / 0.55			CR 52	
	142.294 / Opt 3 (INN Refo KS/LS, Foam): clr / air / 80/70 (DS/DS) 3/4" IG											
	0.117	0.500	0.117					AIR	0.095(#3)	CL	TS-D	N,G,S
	U-Factor 0.33			SHGC (N / <1) 0.53 / 0.48				VT (N / <1) 0.61 / 0.55			CR 52	

NFRC 100/200/500 Summary Sheet Windgate/Belmont/Hawthorne 2-Lite Slider

ID	Pane Thickness 1	Gap Width 1	Pane Thickness 2	Gap Width 2	Pane Thickness 3	Gap Width 3	Pane Thickness 4	Gap Fill	Low-e (Surface#)	Tint	Spacer	Grid Type
	U-Factor			Solar Heat Gain Coefficient (SHGC) Grids (None / <1 / >=1)				Visible Transmittance (VT) Grids (None / <1 / >=1)			Condensation Resistance	
1668	142.294 / Opt 3 (INN Refo KS/LS, Foam): 80/70 / arg / clr (DS/DS) 3/4" IG											
	0.117	0.500	0.117					ARG90	0.095(#2)	CL	TS-D	N,G,S
	U-Factor 0.29			SHGC (N / <1) 0.51 / 0.45				VT (N / <1) 0.61 / 0.55			CR 55	
	142.294 / Opt 3 (INN Refo KS/LS, Foam): clr / arg / 80/70 (DS/DS) 3/4" IG											
	0.117	0.500	0.117					ARG90	0.095(#3)	CL	TS-D	N,G,S
	U-Factor 0.29			SHGC (N / <1) 0.54 / 0.48				VT (N / <1) 0.61 / 0.55			CR 55	
1669	142.294 / Opt 3 (INN Refo KS/LS, Foam): lami / arg / 80/70 (DS 090 DS/DS) 3/4" IG											
	0.264	0.345	0.117					ARG90	0.095(#3)	CL	TS-D	N,S
	U-Factor 0.31			SHGC (N / <1) 0.49 / 0.44				VT (N / <1) 0.60 / 0.54			CR 54	
	142.294 / Opt 3 (INN Refo KS/LS, Foam): 80/70 / arg / lami (DS/DS 090 DS) 3/4" IG											
	0.117	0.345	0.264					ARG90	0.095(#2)	CL	TS-D	N,S
	U-Factor 0.31			SHGC (N / <1) 0.50 / 0.45				VT (N / <1) 0.60 / 0.54			CR 54	
1670	142.294 / Opt 3 (INN Refo KS/LS, Foam): lami / arg / 80/70 (DS 090 DS/DS) 3/4" IG											
	0.264	0.345	0.117					ARG90	0.095(#3)	CL	TS-D	G,S
	U-Factor 0.32			SHGC (<1) 0.44				VT (<1) 0.54			CR 54	
	142.294 / Opt 3 (INN Refo KS/LS, Foam): 80/70 / arg / lami (DS/DS 090 DS) 3/4" IG											
	0.117	0.345	0.264					ARG90	0.095(#2)	CL	TS-D	G,S
	U-Factor 0.32			SHGC (<1) 0.45				VT (<1) 0.54			CR 54	
1671	142.294 / Opt 3 (INN Refo KS/LS, Foam): 80/70 / arg / clr / arg / 80/70 (SS/SS/SS) 3/4" IG											
	0.090	0.250	0.090	0.250	0.090			ARG90	0.095(#2) / 0.095(#5)	CL	TS-D	N,S
	U-Factor 0.25			SHGC (N / <1) 0.45 / 0.41				VT (N / <1) 0.56 / 0.50			CR 62	
1672	142.294 / Opt 3 (INN Refo KS/LS, Foam): 80/70 / arg / clr / arg / 80/70 (SS/SS/SS) 3/4" IG											
	0.090	0.250	0.090	0.250	0.090			ARG90	0.095(#2) / 0.095(#5)	CL	TS-D	G,S
	U-Factor 0.26			SHGC (<1) 0.41				VT (<1) 0.50			CR 62	
1673	142.294 / Opt 4 (INN Refo KS/LS/S, Foam): clr / air / clr (SS/SS) 3/4" IG											
	0.087	0.563	0.087					AIR		CL	P1-S	N,G,S
	U-Factor 0.44			SHGC (N / <1) 0.61 / 0.54				VT (N / <1) 0.63 / 0.56			CR 46	
1674	142.294 / Opt 4 (INN Refo KS/LS/S, Foam): clr / air / clr (DS/DS) 3/4" IG											
	0.118	0.500	0.118					AIR		CL	P1-S	N,G,S
	U-Factor 0.44			SHGC (N / <1) 0.59 / 0.53				VT (N / <1) 0.62 / 0.56			CR 45	

NFRC 100/200/500 Summary Sheet
Windgate/Belmont/Hawthorne 2-Lite Slider

ID	Pane Thickness 1	Gap Width 1	Pane Thickness 2	Gap Width 2	Pane Thickness 3	Gap Width 3	Pane Thickness 4	Gap Fill	Low-e (Surface#)	Tint	Spacer	Grid Type
	U-Factor			Solar Heat Gain Coefficient (SHGC) Grids (None / <1 / >=1)				Visible Transmittance (VT) Grids (None / <1 / >=1)			Condensation Resistance	
1675	142.294 / Opt 4 (INN Refo KS/LS/S, Foam): clr / air / clr (5mm/DS) 3/4" IG											
	0.185	0.438	0.118					AIR		CL	P1-S	N,G,S
	U-Factor 0.44			SHGC (N / <1) 0.57 / 0.51				VT (N / <1) 0.62 / 0.55			CR 45	
1676	142.294 / Opt 4 (INN Refo KS/LS/S, Foam): clr / air / clr (5mm/DS) 3/4" IG											
	0.185	0.438	0.118					AIR		CL	P1-S	G
	U-Factor 0.44			SHGC (<1) 0.51				VT (<1) 0.55			CR 45	
1677	142.294 / Opt 4 (INN Refo KS/LS/S, Foam): lami / air / clr (DS 090 DS/DS) 3/4" IG											
	0.264	0.345	0.118					AIR		CL	P1-S	N,S
	U-Factor 0.46			SHGC (N / <1) 0.55 / 0.49				VT (N / <1) 0.61 / 0.55			CR 44	
	142.294 / Opt 4 (INN Refo KS/LS/S, Foam): clr / air / lami (DS/DS 090 DS) 3/4" IG											
	0.118	0.345	0.264					AIR		CL	P1-S	N,S
	U-Factor 0.46			SHGC (N / <1) 0.57 / 0.51				VT (N / <1) 0.61 / 0.55			CR 44	
1678	142.294 / Opt 4 (INN Refo KS/LS/S, Foam): lami / air / clr (DS 090 DS/DS) 3/4" IG											
	0.264	0.345	0.118					AIR		CL	P1-S	G,S
	U-Factor 0.46			SHGC (<1) 0.49				VT (<1) 0.55			CR 44	
	142.294 / Opt 4 (INN Refo KS/LS/S, Foam): clr / air / lami (DS/DS 090 DS) 3/4" IG											
	0.118	0.345	0.264					AIR		CL	P1-S	G,S
	U-Factor 0.46			SHGC (<1) 0.51				VT (<1) 0.55			CR 44	
1679	142.294 / Opt 4 (INN Refo KS/LS/S, Foam): clr / air / clr / air / clr (SS/SS/SS) 3/4" IG (P1-S)											
	0.087	0.250	0.087	0.250	0.087			AIR		CL	P1-S	N,S
	U-Factor 0.36			SHGC (N / <1) 0.55 / 0.49				VT (N / <1) 0.58 / 0.52			CR 53	
1680	142.294 / Opt 4 (INN Refo KS/LS/S, Foam): clr / air / clr / air / clr (SS/SS/SS) 3/4" IG (P1-S)											
	0.087	0.250	0.087	0.250	0.087			AIR		CL	P1-S	G,S
	U-Factor 0.37			SHGC (<1) 0.49				VT (<1) 0.52			CR 53	
1681	142.294 / Opt 4 (INN Refo KS/LS/S, Foam): E270 / air / clr (SS/SS) 3/4" IG											
	0.087	0.563	0.087					AIR	0.037(#2)	CL	P1-S	N,G,S
	U-Factor 0.30			SHGC (N / <1) 0.29 / 0.26				VT (N / <1) 0.54 / 0.48			CR 59	
	142.294 / Opt 4 (INN Refo KS/LS/S, Foam): clr / air / E270 (SS/SS) 3/4" IG											
	0.087	0.563	0.087					AIR	0.037(#3)	CL	P1-S	N,G,S
	U-Factor 0.30			SHGC (N / <1) 0.35 / 0.32				VT (N / <1) 0.54 / 0.48			CR 59	

NFRC 100/200/500 Summary Sheet
Windgate/Belmont/Hawthorne 2-Lite Slider

ID	Pane Thickness 1	Gap Width 1	Pane Thickness 2	Gap Width 2	Pane Thickness 3	Gap Width 3	Pane Thickness 4	Gap Fill	Low-e (Surface#)	Tint	Spacer	Grid Type
	U-Factor			Solar Heat Gain Coefficient (SHGC) Grids (None / <1 / >=1)				Visible Transmittance (VT) Grids (None / <1 / >=1)			Condensation Resistance	
1682	142.294 / Opt 4 (INN Refo KS/LS/S, Foam): E270 / arg / clr (SS/SS) 3/4" IG											
	0.087	0.563	0.087					ARG90	0.037(#2)	CL	P1-S	N,G,S
	U-Factor 0.27			SHGC (N / <1) 0.28 / 0.26				VT (N / <1) 0.54 / 0.48			CR	62
	142.294 / Opt 4 (INN Refo KS/LS/S, Foam): clr / arg / E270 (SS/SS) 3/4" IG											
	0.087	0.563	0.087					ARG90	0.037(#3)	CL	P1-S	N,G,S
	U-Factor 0.27			SHGC (N / <1) 0.36 / 0.32				VT (N / <1) 0.54 / 0.48			CR	62
1683	142.294 / Opt 4 (INN Refo KS/LS/S, Foam): E270 / air / clr (DS/DS) 3/4" IG											
	0.118	0.500	0.118					AIR	0.037(#2)	CL	P1-S	N,G,S
	U-Factor 0.30			SHGC (N / <1) 0.29 / 0.26				VT (N / <1) 0.53 / 0.47			CR	58
	142.294 / Opt 4 (INN Refo KS/LS/S, Foam): clr / air / E270 (DS/DS) 3/4" IG											
	0.118	0.500	0.118					AIR	0.037(#3)	CL	P1-S	N,G,S
	U-Factor 0.30			SHGC (N / <1) 0.35 / 0.31				VT (N / <1) 0.53 / 0.47			CR	58
1684	142.294 / Opt 4 (INN Refo KS/LS/S, Foam): E270 / arg / clr (DS/DS) 3/4" IG											
	0.118	0.500	0.118					ARG90	0.037(#2)	CL	P1-S	N,G,S
	U-Factor 0.26			SHGC (N / <1) 0.28 / 0.25				VT (N / <1) 0.53 / 0.47			CR	61
	142.294 / Opt 4 (INN Refo KS/LS/S, Foam): clr / arg / E270 (DS/DS) 3/4" IG											
	0.118	0.500	0.118					ARG90	0.037(#3)	CL	P1-S	N,G,S
	U-Factor 0.26			SHGC (N / <1) 0.35 / 0.32				VT (N / <1) 0.53 / 0.47			CR	61
1685	142.294 / Opt 4 (INN Refo KS/LS/S, Foam): lami / arg / E270 (DS 090 DS/DS) 3/4" IG											
	0.264	0.345	0.118					ARG90	0.037(#3)	CL	P1-S	N,S
	U-Factor 0.28			SHGC (N / <1) 0.33 / 0.30				VT (N / <1) 0.52 / 0.47			CR	59
	142.294 / Opt 4 (INN Refo KS/LS/S, Foam): E270 / arg / lami (DS/DS 090 DS) 3/4" IG											
	0.118	0.345	0.264					ARG90	0.037(#2)	CL	P1-S	N,S
	U-Factor 0.28			SHGC (N / <1) 0.28 / 0.25				VT (N / <1) 0.52 / 0.47			CR	59
1686	142.294 / Opt 4 (INN Refo KS/LS/S, Foam): lami / arg / E270 (DS 090 DS/DS) 3/4" IG											
	0.264	0.345	0.118					ARG90	0.037(#3)	CL	P1-S	G,S
	U-Factor 0.30			SHGC (<1) 0.30				VT (<1) 0.47			CR	59
	142.294 / Opt 4 (INN Refo KS/LS/S, Foam): E270 / arg / lami (DS/DS 090 DS) 3/4" IG											
	0.118	0.345	0.264					ARG90	0.037(#2)	CL	P1-S	G,S
	U-Factor 0.30			SHGC (<1) 0.25				VT (<1) 0.47			CR	59

**NFRC 100/200/500 Summary Sheet
Windgate/Belmont/Hawthorne 2-Lite Slider**

ID	Pane Thickness 1	Gap Width 1	Pane Thickness 2	Gap Width 2	Pane Thickness 3	Gap Width 3	Pane Thickness 4	Gap Fill	Low-e (Surface#)	Tint	Spacer	Grid Type
	U-Factor			Solar Heat Gain Coefficient (SHGC) Grids (None / <1 / >=1)				Visible Transmittance (VT) Grids (None / <1 / >=1)			Condensation Resistance	
1687	142.294 / Opt 4 (INN Refo KS/LS/S, Foam): E270 / arg / clr / arg / E270 (SS/SS/SS) 3/4" IG (P1-S)											
	0.087	0.250	0.087	0.250	0.087			ARG90	0.037(#2) / 0.037(#5)	CL	P1-S	N,S
	U-Factor 0.23			SHGC (N / <1) 0.24 / 0.22				VT (N / <1) 0.42 / 0.37			CR 68	
1688	142.294 / Opt 4 (INN Refo KS/LS/S, Foam): E270 / arg / clr / arg / E270 (SS/SS/SS) 3/4" IG (P1-S)											
	0.087	0.250	0.087	0.250	0.087			ARG90	0.037(#2) / 0.037(#5)	CL	P1-S	G,S
	U-Factor 0.24			SHGC (<1) 0.22				VT (<1) 0.37			CR 68	
1689	142.294 / Opt 4 (INN Refo KS/LS/S, Foam): E366 / air / clr (SS/SS) 3/4" IG											
	0.087	0.563	0.087					AIR	0.022(#2)	CL	P1-S	N,G,S
	U-Factor 0.30			SHGC (N / <1) 0.21 / 0.19				VT (N / <1) 0.50 / 0.44			CR 59	
	142.294 / Opt 4 (INN Refo KS/LS/S, Foam): clr / air / E366 (SS/SS) 3/4" IG											
	0.087	0.563	0.087					AIR	0.022(#3)	CL	P1-S	N,G,S
	U-Factor 0.30			SHGC (N / <1) 0.30 / 0.27				VT (N / <1) 0.50 / 0.44			CR 59	
1690	142.294 / Opt 4 (INN Refo KS/LS/S, Foam): E366 / arg / clr (SS/SS) 3/4" IG											
	0.087	0.563	0.087					ARG90	0.022(#2)	CL	P1-S	N,G,S
	U-Factor 0.26			SHGC (N / <1) 0.21 / 0.19				VT (N / <1) 0.50 / 0.44			CR 63	
	142.294 / Opt 4 (INN Refo KS/LS/S, Foam): clr / arg / E366 (SS/SS) 3/4" IG											
	0.087	0.563	0.087					ARG90	0.022(#3)	CL	P1-S	N,G,S
	U-Factor 0.26			SHGC (N / <1) 0.30 / 0.27				VT (N / <1) 0.50 / 0.44			CR 63	
1691	142.294 / Opt 4 (INN Refo KS/LS/S, Foam): E366 / air / clr (DS/DS) 3/4" IG											
	0.117	0.500	0.118					AIR	0.022(#2)	CL	P1-S	N,G,S
	U-Factor 0.29			SHGC (N / <1) 0.21 / 0.19				VT (N / <1) 0.49 / 0.44			CR 58	
	142.294 / Opt 4 (INN Refo KS/LS/S, Foam): clr / air / E366 (DS/DS) 3/4" IG											
	0.118	0.500	0.117					AIR	0.022(#3)	CL	P1-S	N,G,S
	U-Factor 0.29			SHGC (N / <1) 0.29 / 0.27				VT (N / <1) 0.49 / 0.44			CR 58	
1692	142.294 / Opt 4 (INN Refo KS/LS/S, Foam): E366 / arg / clr (DS/DS) 3/4" IG											
	0.117	0.500	0.118					ARG90	0.022(#2)	CL	P1-S	N,G,S
	U-Factor 0.26			SHGC (N / <1) 0.21 / 0.19				VT (N / <1) 0.49 / 0.44			CR 62	
	142.294 / Opt 4 (INN Refo KS/LS/S, Foam): clr / arg / E366 (DS/DS) 3/4" IG											
	0.118	0.500	0.117					ARG90	0.022(#3)	CL	P1-S	N,G,S
	U-Factor 0.26			SHGC (N / <1) 0.30 / 0.27				VT (N / <1) 0.49 / 0.44			CR 62	

NFRC 100/200/500 Summary Sheet
Windgate/Belmont/Hawthorne 2-Lite Slider

ID	Pane Thickness 1	Gap Width 1	Pane Thickness 2	Gap Width 2	Pane Thickness 3	Gap Width 3	Pane Thickness 4	Gap Fill	Low-e (Surface#)	Tint	Spacer	Grid Type
	U-Factor			Solar Heat Gain Coefficient (SHGC) Grids (None / <1 / >=1)				Visible Transmittance (VT) Grids (None / <1 / >=1)			Condensation Resistance	
1693	142.294 / Opt 4 (INN Refo KS/LS/S, Foam): lami / arg / E366 (DS 090 DS/DS) 3/4" IG											
	0.264	0.345	0.117					ARG90	0.022(#3)	CL	P1-S	N,S
	U-Factor 0.28			SHGC (N / <1) 0.29 / 0.26				VT (N / <1) 0.48 / 0.43			CR 60	
	142.294 / Opt 4 (INN Refo KS/LS/S, Foam): E366 / arg / lami (DS/DS 090 DS) 3/4" IG											
	0.117	0.345	0.264					ARG90	0.022(#2)	CL	P1-S	N,S
	U-Factor 0.28			SHGC (N / <1) 0.21 / 0.19				VT (N / <1) 0.48 / 0.43			CR 60	
1694	142.294 / Opt 4 (INN Refo KS/LS/S, Foam): lami / arg / E366 (DS 090 DS/DS) 3/4" IG											
	0.264	0.345	0.117					ARG90	0.022(#3)	CL	P1-S	G,S
	U-Factor 0.29			SHGC (<1) 0.26				VT (<1) 0.43			CR 60	
	142.294 / Opt 4 (INN Refo KS/LS/S, Foam): E366 / arg / lami (DS/DS 090 DS) 3/4" IG											
	0.117	0.345	0.264					ARG90	0.022(#2)	CL	P1-S	G,S
	U-Factor 0.29			SHGC (<1) 0.19				VT (<1) 0.43			CR 60	
1695	142.294 / Opt 4 (INN Refo KS/LS/S, Foam): E366 / arg / clr / arg / E366 (SS/SS/SS) 3/4" IG (P1-S)											
	0.087	0.250	0.087	0.250	0.087			ARG90	0.022(#2) / 0.022(#5)	CL	P1-S	N,S
	U-Factor 0.22			SHGC (N / <1) 0.19 / 0.17				VT (N / <1) 0.36 / 0.32			CR 68	
1696	142.294 / Opt 4 (INN Refo KS/LS/S, Foam): E366 / arg / clr / arg / E366 (SS/SS/SS) 3/4" IG (P1-S)											
	0.087	0.250	0.087	0.250	0.087			ARG90	0.022(#2) / 0.022(#5)	CL	P1-S	G,S
	U-Factor 0.23			SHGC (<1) 0.17				VT (<1) 0.32			CR 68	
1697	142.294 / Opt 4 (INN Refo KS/LS/S, Foam): 70/36 / air / clr (SS/SS) 3/4" IG											
	0.090	0.563	0.090					AIR	0.036(#2)	CL	P1-S	N,G,S
	U-Factor 0.30			SHGC (N / <1) 0.30 / 0.27				VT (N / <1) 0.54 / 0.48			CR 59	
	142.294 / Opt 4 (INN Refo KS/LS/S, Foam): clr / air / 70/36 (SS/SS) 3/4" IG											
	0.090	0.563	0.090					AIR	0.036(#3)	CL	P1-S	N,G,S
	U-Factor 0.30			SHGC (N / <1) 0.37 / 0.33				VT (N / <1) 0.54 / 0.48			CR 59	
1698	142.294 / Opt 4 (INN Refo KS/LS/S, Foam): 70/36 / arg / clr (SS/SS) 3/4" IG											
	0.090	0.563	0.090					ARG90	0.036(#2)	CL	P1-S	N,G,S
	U-Factor 0.27			SHGC (N / <1) 0.30 / 0.27				VT (N / <1) 0.54 / 0.48			CR 62	
	142.294 / Opt 4 (INN Refo KS/LS/S, Foam): clr / arg / 70/36 (SS/SS) 3/4" IG											
	0.090	0.563	0.090					ARG90	0.036(#3)	CL	P1-S	N,G,S
	U-Factor 0.27			SHGC (N / <1) 0.38 / 0.34				VT (N / <1) 0.54 / 0.48			CR 62	

**NFRC 100/200/500 Summary Sheet
Windgate/Belmont/Hawthorne 2-Lite Slider**

ID	Pane Thickness 1	Gap Width 1	Pane Thickness 2	Gap Width 2	Pane Thickness 3	Gap Width 3	Pane Thickness 4	Gap Fill	Low-e (Surface#)	Tint	Spacer	Grid Type
	U-Factor			Solar Heat Gain Coefficient (SHGC) Grids (None / <1 / >=1)					Visible Transmittance (VT) Grids (None / <1 / >=1)		Condensation Resistance	
1699	142.294 / Opt 4 (INN Refo KS/LS/S, Foam): 70/36 / air / clr (DS/DS) 3/4" IG											
	0.117	0.500	0.117					AIR	0.036(#2)	CL	P1-S	N,G,S
	U-Factor 0.30			SHGC (N / <1) 0.30 / 0.27					VT (N / <1) 0.53 / 0.47		CR 58	
	142.294 / Opt 4 (INN Refo KS/LS/S, Foam): clr / air / 70/36 (DS/DS) 3/4" IG											
	0.117	0.500	0.117					AIR	0.036(#3)	CL	P1-S	N,G,S
	U-Factor 0.30			SHGC (N / <1) 0.37 / 0.33					VT (N / <1) 0.53 / 0.47		CR 58	
1700	142.294 / Opt 4 (INN Refo KS/LS/S, Foam): 70/36 / arg / clr (DS/DS) 3/4" IG											
	0.117	0.500	0.117					ARG90	0.036(#2)	CL	P1-S	N,G,S
	U-Factor 0.26			SHGC (N / <1) 0.29 / 0.27					VT (N / <1) 0.53 / 0.47		CR 61	
	142.294 / Opt 4 (INN Refo KS/LS/S, Foam): clr / arg / 70/36 (DS/DS) 3/4" IG											
	0.117	0.500	0.117					ARG90	0.036(#3)	CL	P1-S	N,G,S
	U-Factor 0.26			SHGC (N / <1) 0.37 / 0.33					VT (N / <1) 0.53 / 0.47		CR 61	
1701	142.294 / Opt 4 (INN Refo KS/LS/S, Foam): lami / arg / 70/36 (DS 090 DS/DS) 3/4" IG											
	0.264	0.345	0.117					ARG90	0.036(#3)	CL	P1-S	N,S
	U-Factor 0.28			SHGC (N / <1) 0.35 / 0.32					VT (N / <1) 0.52 / 0.47		CR 59	
	142.294 / Opt 4 (INN Refo KS/LS/S, Foam): 70/36 / arg / lami (DS/DS 090 DS) 3/4" IG											
	0.117	0.345	0.264					ARG90	0.036(#2)	CL	P1-S	N,S
	U-Factor 0.28			SHGC (N / <1) 0.29 / 0.26					VT (N / <1) 0.52 / 0.47		CR 59	
1702	142.294 / Opt 4 (INN Refo KS/LS/S, Foam): lami / arg / 70/36 (DS 090 DS/DS) 3/4" IG											
	0.264	0.345	0.117					ARG90	0.036(#3)	CL	P1-S	G,S
	U-Factor 0.30			SHGC (<1) 0.32					VT (<1) 0.47		CR 59	
	142.294 / Opt 4 (INN Refo KS/LS/S, Foam): 70/36 / arg / lami (DS/DS 090 DS) 3/4" IG											
	0.117	0.345	0.264					ARG90	0.036(#2)	CL	P1-S	G,S
	U-Factor 0.30			SHGC (<1) 0.26					VT (<1) 0.47		CR 59	
1703	142.294 / Opt 4 (INN Refo KS/LS/S, Foam): 70/36 / arg / clr / arg / 70/36 (SS/SS/SS) 3/4" IG											
	0.090	0.250	0.090	0.250	0.090			ARG90	0.036(#2) / 0.036(#5)	CL	P1-S	N,S
	U-Factor 0.23			SHGC (N / <1) 0.26 / 0.23					VT (N / <1) 0.42 / 0.37		CR 68	
1704	142.294 / Opt 4 (INN Refo KS/LS/S, Foam): 70/36 / arg / clr / arg / 70/36 (SS/SS/SS) 3/4" IG											
	0.090	0.250	0.090	0.250	0.090			ARG90	0.036(#2) / 0.036(#5)	CL	P1-S	G,S
	U-Factor 0.24			SHGC (<1) 0.23					VT (<1) 0.37		CR 68	

**NFRC 100/200/500 Summary Sheet
Windgate/Belmont/Hawthorne 2-Lite Slider**

ID	Pane Thickness 1	Gap Width 1	Pane Thickness 2	Gap Width 2	Pane Thickness 3	Gap Width 3	Pane Thickness 4	Gap Width 4	Gap Fill	Low-e (Surface#)	Tint	Spacer	Grid Type
	U-Factor			Solar Heat Gain Coefficient (SHGC) Grids (None / <1 / >=1)					Visible Transmittance (VT) Grids (None / <1 / >=1)			Condensation Resistance	
1705	142.294 / Opt 4 (INN Refo KS/LS/S, Foam): 80/70 / air / clr (SS/SS) 3/4" IG												
	0.090	0.563	0.090						AIR	0.095(#2)	CL	P1-S	N,G,S
	U-Factor 0.32			SHGC (N / <1) 0.51 / 0.46					VT (N / <1) 0.62 / 0.55			CR	57
	142.294 / Opt 4 (INN Refo KS/LS/S, Foam): clr / air / 80/70 (SS/SS) 3/4" IG												
	0.090	0.563	0.090						AIR	0.095(#3)	CL	P1-S	N,G,S
	U-Factor 0.32			SHGC (N / <1) 0.54 / 0.49					VT (N / <1) 0.62 / 0.55			CR	57
1706	142.294 / Opt 4 (INN Refo KS/LS/S, Foam): 80/70 / arg / clr (SS/SS) 3/4" IG												
	0.090	0.563	0.090						ARG90	0.095(#2)	CL	P1-S	N,G,S
	U-Factor 0.28			SHGC (N / <1) 0.51 / 0.46					VT (N / <1) 0.62 / 0.55			CR	61
	142.294 / Opt 4 (INN Refo KS/LS/S, Foam): clr / arg / 80/70 (SS/SS) 3/4" IG												
	0.090	0.563	0.090						ARG90	0.095(#3)	CL	P1-S	N,G,S
	U-Factor 0.28			SHGC (N / <1) 0.54 / 0.49					VT (N / <1) 0.62 / 0.55			CR	61
1707	142.294 / Opt 4 (INN Refo KS/LS/S, Foam): 80/70 / air / clr (DS/DS) 3/4" IG												
	0.117	0.500	0.117						AIR	0.095(#2)	CL	P1-S	N,G,S
	U-Factor 0.31			SHGC (N / <1) 0.51 / 0.45					VT (N / <1) 0.61 / 0.55			CR	56
	142.294 / Opt 4 (INN Refo KS/LS/S, Foam): clr / air / 80/70 (DS/DS) 3/4" IG												
	0.117	0.500	0.117						AIR	0.095(#3)	CL	P1-S	N,G,S
	U-Factor 0.31			SHGC (N / <1) 0.53 / 0.48					VT (N / <1) 0.61 / 0.55			CR	56
1708	142.294 / Opt 4 (INN Refo KS/LS/S, Foam): 80/70 / arg / clr (DS/DS) 3/4" IG												
	0.117	0.500	0.117						ARG90	0.095(#2)	CL	P1-S	N,G,S
	U-Factor 0.28			SHGC (N / <1) 0.51 / 0.45					VT (N / <1) 0.61 / 0.55			CR	60
	142.294 / Opt 4 (INN Refo KS/LS/S, Foam): clr / arg / 80/70 (DS/DS) 3/4" IG												
	0.117	0.500	0.117						ARG90	0.095(#3)	CL	P1-S	N,G,S
	U-Factor 0.28			SHGC (N / <1) 0.54 / 0.48					VT (N / <1) 0.61 / 0.55			CR	60
1709	142.294 / Opt 4 (INN Refo KS/LS/S, Foam): lami / arg / 80/70 (DS 090 DS/DS) 3/4" IG												
	0.264	0.345	0.117						ARG90	0.095(#3)	CL	P1-S	N,S
	U-Factor 0.30			SHGC (N / <1) 0.49 / 0.44					VT (N / <1) 0.60 / 0.54			CR	58
	142.294 / Opt 4 (INN Refo KS/LS/S, Foam): 80/70 / arg / lami (DS/DS 090 DS) 3/4" IG												
	0.117	0.345	0.264						ARG90	0.095(#2)	CL	P1-S	N,S
	U-Factor 0.30			SHGC (N / <1) 0.50 / 0.45					VT (N / <1) 0.60 / 0.54			CR	58

NFRC 100/200/500 Summary Sheet
Windgate/Belmont/Hawthorne 2-Lite Slider

ID	Pane Thickness 1	Gap Width 1	Pane Thickness 2	Gap Width 2	Pane Thickness 3	Gap Width 3	Pane Thickness 4	Gap Fill	Low-e (Surface#)	Tint	Spacer	Grid Type
	U-Factor			Solar Heat Gain Coefficient (SHGC) Grids (None / <1 / >=1)				Visible Transmittance (VT) Grids (None / <1 / >=1)			Condensation Resistance	
1710	142.294 / Opt 4 (INN Refo KS/LS/S, Foam): lami / arg / 80/70 (DS 090 DS/DS) 3/4" IG											
	0.264	0.345	0.117					ARG90	0.095(#3)	CL	P1-S	G,S
	U-Factor 0.31			SHGC (<1) 0.44				VT (<1) 0.54			CR 58	
	142.294 / Opt 4 (INN Refo KS/LS/S, Foam): 80/70 / arg / lami (DS/DS 090 DS) 3/4" IG											
	0.117	0.345	0.264					ARG90	0.095(#2)	CL	P1-S	G,S
	U-Factor 0.31			SHGC (<1) 0.45				VT (<1) 0.54			CR 58	
1711	142.294 / Opt 4 (INN Refo KS/LS/S, Foam): 80/70 / arg / clr / arg / 80/70 (SS/SS/SS) 3/4" IG											
	0.090	0.250	0.090	0.250	0.090			ARG90	0.095(#2) / 0.095(#5)	CL	P1-S	N,S
	U-Factor 0.24			SHGC (N / <1) 0.45 / 0.41				VT (N / <1) 0.56 / 0.50			CR 66	
1712	142.294 / Opt 4 (INN Refo KS/LS/S, Foam): 80/70 / arg / clr / arg / 80/70 (SS/SS/SS) 3/4" IG											
	0.090	0.250	0.090	0.250	0.090			ARG90	0.095(#2) / 0.095(#5)	CL	P1-S	G,S
	U-Factor 0.25			SHGC (<1) 0.41				VT (<1) 0.50			CR 66	
1713	142.294 / Opt 4 (INN Refo KS/LS/S, Foam): clr / air / clr (SS/SS) 3/4" IG											
	0.087	0.563	0.087					AIR		CL	SS-D	N,G,S
	U-Factor 0.44			SHGC (N / <1) 0.61 / 0.54				VT (N / <1) 0.63 / 0.56			CR 44	
1714	142.294 / Opt 4 (INN Refo KS/LS/S, Foam): clr / air / clr (DS/DS) 3/4" IG											
	0.118	0.500	0.118					AIR		CL	SS-D	N,G,S
	U-Factor 0.44			SHGC (N / <1) 0.59 / 0.53				VT (N / <1) 0.62 / 0.56			CR 44	
1715	142.294 / Opt 4 (INN Refo KS/LS/S, Foam): clr / air / clr (5mm/DS) 3/4" IG											
	0.185	0.438	0.118					AIR		CL	SS-D	N,G,S
	U-Factor 0.45			SHGC (N / <1) 0.57 / 0.51				VT (N / <1) 0.62 / 0.55			CR 44	
1716	142.294 / Opt 4 (INN Refo KS/LS/S, Foam): clr / air / clr (5mm/DS) 3/4" IG											
	0.185	0.438	0.118					AIR		CL	SS-D	G
	U-Factor 0.45			SHGC (<1) 0.51				VT (<1) 0.55			CR 44	
1717	142.294 / Opt 4 (INN Refo KS/LS/S, Foam): lami / air / clr (DS 090 DS/DS) 3/4" IG											
	0.264	0.345	0.118					AIR		CL	SS-D	N,S
	U-Factor 0.46			SHGC (N / <1) 0.55 / 0.49				VT (N / <1) 0.61 / 0.55			CR 42	
	142.294 / Opt 4 (INN Refo KS/LS/S, Foam): clr / air / lami (DS/DS 090 DS) 3/4" IG											
	0.118	0.345	0.264					AIR		CL	SS-D	N,S
	U-Factor 0.46			SHGC (N / <1) 0.57 / 0.51				VT (N / <1) 0.61 / 0.55			CR 42	

**NFRC 100/200/500 Summary Sheet
Windgate/Belmont/Hawthorne 2-Lite Slider**

ID	Pane Thickness 1	Gap Width 1	Pane Thickness 2	Gap Width 2	Pane Thickness 3	Gap Width 3	Pane Thickness 4	Gap Fill	Low-e (Surface#)	Tint	Spacer	Grid Type
	U-Factor			Solar Heat Gain Coefficient (SHGC) Grids (None / <1 / >=1)				Visible Transmittance (VT) Grids (None / <1 / >=1)			Condensation Resistance	
1718	142.294 / Opt 4 (INN Refo KS/LS/S, Foam): lami / air / clr (DS 090 DS/DS) 3/4" IG											
	0.264	0.345	0.118					AIR		CL	SS-D	G,S
	U-Factor 0.47			SHGC (<1) 0.49				VT (<1) 0.55			CR 42	
	142.294 / Opt 4 (INN Refo KS/LS/S, Foam): clr / air / lami (DS/DS 090 DS) 3/4" IG											
	0.118	0.345	0.264					AIR		CL	SS-D	G,S
	U-Factor 0.47			SHGC (<1) 0.51				VT (<1) 0.55			CR 42	
1719	142.294 / Opt 4 (INN Refo KS/LS/S, Foam): clr / air / clr / air / clr (SS/SS/SS) 3/4" IG (P1-S)											
	0.087	0.250	0.087	0.250	0.087			AIR		CL	SS-D	N,S
	U-Factor 0.37			SHGC (N / <1) 0.55 / 0.49				VT (N / <1) 0.58 / 0.52			CR 52	
1720	142.294 / Opt 4 (INN Refo KS/LS/S, Foam): clr / air / clr / air / clr (SS/SS/SS) 3/4" IG (P1-S)											
	0.087	0.250	0.087	0.250	0.087			AIR		CL	SS-D	G,S
	U-Factor 0.38			SHGC (<1) 0.49				VT (<1) 0.52			CR 52	
1721	142.294 / Opt 4 (INN Refo KS/LS/S, Foam): E270 / air / clr (SS/SS) 3/4" IG											
	0.087	0.563	0.087					AIR	0.037(#2)	CL	SS-D	N,G,S
	U-Factor 0.31			SHGC (N / <1) 0.29 / 0.26				VT (N / <1) 0.54 / 0.48			CR 56	
	142.294 / Opt 4 (INN Refo KS/LS/S, Foam): clr / air / E270 (SS/SS) 3/4" IG											
	0.087	0.563	0.087					AIR	0.037(#3)	CL	SS-D	N,G,S
	U-Factor 0.31			SHGC (N / <1) 0.35 / 0.32				VT (N / <1) 0.54 / 0.48			CR 56	
1722	142.294 / Opt 4 (INN Refo KS/LS/S, Foam): E270 / arg / clr (SS/SS) 3/4" IG											
	0.087	0.563	0.087					ARG90	0.037(#2)	CL	SS-D	N,G,S
	U-Factor 0.28			SHGC (N / <1) 0.28 / 0.26				VT (N / <1) 0.54 / 0.48			CR 59	
	142.294 / Opt 4 (INN Refo KS/LS/S, Foam): clr / arg / E270 (SS/SS) 3/4" IG											
	0.087	0.563	0.087					ARG90	0.037(#3)	CL	SS-D	N,G,S
	U-Factor 0.28			SHGC (N / <1) 0.36 / 0.32				VT (N / <1) 0.54 / 0.48			CR 59	
1723	142.294 / Opt 4 (INN Refo KS/LS/S, Foam): E270 / air / clr (DS/DS) 3/4" IG											
	0.118	0.500	0.118					AIR	0.037(#2)	CL	SS-D	N,G,S
	U-Factor 0.31			SHGC (N / <1) 0.29 / 0.26				VT (N / <1) 0.53 / 0.47			CR 55	
	142.294 / Opt 4 (INN Refo KS/LS/S, Foam): clr / air / E270 (DS/DS) 3/4" IG											
	0.118	0.500	0.118					AIR	0.037(#3)	CL	SS-D	N,G,S
	U-Factor 0.31			SHGC (N / <1) 0.35 / 0.31				VT (N / <1) 0.53 / 0.47			CR 55	

**NFRC 100/200/500 Summary Sheet
Windgate/Belmont/Hawthorne 2-Lite Slider**

ID	Pane Thickness 1	Gap Width 1	Pane Thickness 2	Gap Width 2	Pane Thickness 3	Gap Width 3	Pane Thickness 4	Gap Fill	Low-e (Surface#)	Tint	Spacer	Grid Type
	U-Factor			Solar Heat Gain Coefficient (SHGC) Grids (None / <1 / >=1)				Visible Transmittance (VT) Grids (None / <1 / >=1)			Condensation Resistance	
1724	142.294 / Opt 4 (INN Refo KS/LS/S, Foam): E270 / arg / clr (DS/DS) 3/4" IG											
	0.118	0.500	0.118					ARG90	0.037(#2)	CL	SS-D	N,G,S
	U-Factor 0.27			SHGC (N / <1) 0.28 / 0.25				VT (N / <1) 0.53 / 0.47			CR 58	
	142.294 / Opt 4 (INN Refo KS/LS/S, Foam): clr / arg / E270 (DS/DS) 3/4" IG											
	0.118	0.500	0.118					ARG90	0.037(#3)	CL	SS-D	N,G,S
	U-Factor 0.27			SHGC (N / <1) 0.35 / 0.32				VT (N / <1) 0.53 / 0.47			CR 58	
1725	142.294 / Opt 4 (INN Refo KS/LS/S, Foam): lami / arg / E270 (DS 090 DS/DS) 3/4" IG											
	0.264	0.345	0.118					ARG90	0.037(#3)	CL	SS-D	N,S
	U-Factor 0.29			SHGC (N / <1) 0.33 / 0.30				VT (N / <1) 0.52 / 0.47			CR 56	
	142.294 / Opt 4 (INN Refo KS/LS/S, Foam): E270 / arg / lami (DS/DS 090 DS) 3/4" IG											
	0.118	0.345	0.264					ARG90	0.037(#2)	CL	SS-D	N,S
	U-Factor 0.29			SHGC (N / <1) 0.28 / 0.25				VT (N / <1) 0.52 / 0.47			CR 56	
1726	142.294 / Opt 4 (INN Refo KS/LS/S, Foam): lami / arg / E270 (DS 090 DS/DS) 3/4" IG											
	0.264	0.345	0.118					ARG90	0.037(#3)	CL	SS-D	G,S
	U-Factor 0.31			SHGC (<1) 0.30				VT (<1) 0.47			CR 56	
	142.294 / Opt 4 (INN Refo KS/LS/S, Foam): E270 / arg / lami (DS/DS 090 DS) 3/4" IG											
	0.118	0.345	0.264					ARG90	0.037(#2)	CL	SS-D	G,S
	U-Factor 0.31			SHGC (<1) 0.25				VT (<1) 0.47			CR 56	
1727	142.294 / Opt 4 (INN Refo KS/LS/S, Foam): E270 / arg / clr / arg / E270 (SS/SS/SS) 3/4" IG (SS-D)											
	0.087	0.266	0.087	0.266	0.087			ARG90	0.037(#2) / 0.037(#5)	CL	SS-D	N,S
	U-Factor 0.23			SHGC (N / <1) 0.24 / 0.22				VT (N / <1) 0.42 / 0.37			CR 65	
1728	142.294 / Opt 4 (INN Refo KS/LS/S, Foam): E270 / arg / clr / arg / E270 (SS/SS/SS) 3/4" IG (SS-D)											
	0.087	0.266	0.087	0.266	0.087			ARG90	0.037(#2) / 0.037(#5)	CL	SS-D	G,S
	U-Factor 0.24			SHGC (<1) 0.22				VT (<1) 0.37			CR 65	
1729	142.294 / Opt 4 (INN Refo KS/LS/S, Foam): E366 / air / clr (SS/SS) 3/4" IG											
	0.087	0.563	0.087					AIR	0.022(#2)	CL	SS-D	N,G,S
	U-Factor 0.31			SHGC (N / <1) 0.21 / 0.19				VT (N / <1) 0.50 / 0.44			CR 56	
	142.294 / Opt 4 (INN Refo KS/LS/S, Foam): clr / air / E366 (SS/SS) 3/4" IG											
	0.087	0.563	0.087					AIR	0.022(#3)	CL	SS-D	N,G,S
	U-Factor 0.31			SHGC (N / <1) 0.30 / 0.27				VT (N / <1) 0.50 / 0.44			CR 56	

**NFRC 100/200/500 Summary Sheet
Windgate/Belmont/Hawthorne 2-Lite Slider**

ID	Pane Thickness 1	Gap Width 1	Pane Thickness 2	Gap Width 2	Pane Thickness 3	Gap Width 3	Pane Thickness 4	Gap Width 4	Gap Fill	Low-e (Surface#)	Tint	Spacer	Grid Type
	U-Factor			Solar Heat Gain Coefficient (SHGC) Grids (None / <1 / >=1)					Visible Transmittance (VT) Grids (None / <1 / >=1)			Condensation Resistance	
1730	142.294 / Opt 4 (INN Refo KS/LS/S, Foam): E366 / arg / clr (SS/SS) 3/4" IG												
	0.087	0.563	0.087						ARG90	0.022(#2)	CL	SS-D	N,G,S
	U-Factor 0.27			SHGC (N / <1) 0.21 / 0.19					VT (N / <1) 0.50 / 0.44			CR	59
	142.294 / Opt 4 (INN Refo KS/LS/S, Foam): clr / arg / E366 (SS/SS) 3/4" IG												
	0.087	0.563	0.087						ARG90	0.022(#3)	CL	SS-D	N,G,S
	U-Factor 0.27			SHGC (N / <1) 0.30 / 0.27					VT (N / <1) 0.50 / 0.44			CR	59
1731	142.294 / Opt 4 (INN Refo KS/LS/S, Foam): E366 / air / clr (DS/DS) 3/4" IG												
	0.117	0.500	0.118						AIR	0.022(#2)	CL	SS-D	N,G,S
	U-Factor 0.30			SHGC (N / <1) 0.21 / 0.19					VT (N / <1) 0.49 / 0.44			CR	55
	142.294 / Opt 4 (INN Refo KS/LS/S, Foam): clr / air / E366 (DS/DS) 3/4" IG												
	0.118	0.500	0.117						AIR	0.022(#3)	CL	SS-D	N,G,S
	U-Factor 0.30			SHGC (N / <1) 0.29 / 0.27					VT (N / <1) 0.49 / 0.44			CR	55
1732	142.294 / Opt 4 (INN Refo KS/LS/S, Foam): E366 / arg / clr (DS/DS) 3/4" IG												
	0.117	0.500	0.118						ARG90	0.022(#2)	CL	SS-D	N,G,S
	U-Factor 0.27			SHGC (N / <1) 0.21 / 0.19					VT (N / <1) 0.49 / 0.44			CR	59
	142.294 / Opt 4 (INN Refo KS/LS/S, Foam): clr / arg / E366 (DS/DS) 3/4" IG												
	0.118	0.500	0.117						ARG90	0.022(#3)	CL	SS-D	N,G,S
	U-Factor 0.27			SHGC (N / <1) 0.30 / 0.27					VT (N / <1) 0.49 / 0.44			CR	59
1733	142.294 / Opt 4 (INN Refo KS/LS/S, Foam): lami / arg / E366 (DS 090 DS/DS) 3/4" IG												
	0.264	0.345	0.117						ARG90	0.022(#3)	CL	SS-D	N,S
	U-Factor 0.29			SHGC (N / <1) 0.29 / 0.26					VT (N / <1) 0.48 / 0.43			CR	56
	142.294 / Opt 4 (INN Refo KS/LS/S, Foam): E366 / arg / lami (DS/DS 090 DS) 3/4" IG												
	0.117	0.345	0.264						ARG90	0.022(#2)	CL	SS-D	N,S
	U-Factor 0.29			SHGC (N / <1) 0.21 / 0.19					VT (N / <1) 0.48 / 0.43			CR	56
1734	142.294 / Opt 4 (INN Refo KS/LS/S, Foam): lami / arg / E366 (DS 090 DS/DS) 3/4" IG												
	0.264	0.345	0.117						ARG90	0.022(#3)	CL	SS-D	G,S
	U-Factor 0.30			SHGC (<1) 0.26					VT (<1) 0.43			CR	56
	142.294 / Opt 4 (INN Refo KS/LS/S, Foam): E366 / arg / lami (DS/DS 090 DS) 3/4" IG												
	0.117	0.345	0.264						ARG90	0.022(#2)	CL	SS-D	G,S
	U-Factor 0.30			SHGC (<1) 0.19					VT (<1) 0.43			CR	56

**NFRC 100/200/500 Summary Sheet
Windgate/Belmont/Hawthorne 2-Lite Slider**

ID	Pane Thickness 1	Gap Width 1	Pane Thickness 2	Gap Width 2	Pane Thickness 3	Gap Width 3	Pane Thickness 4	Gap Fill	Low-e (Surface#)	Tint	Spacer	Grid Type
	U-Factor			Solar Heat Gain Coefficient (SHGC) Grids (None / <1 / >=1)				Visible Transmittance (VT) Grids (None / <1 / >=1)			Condensation Resistance	
1735	142.294 / Opt 4 (INN Refo KS/LS/S, Foam): E366 / arg / clr / arg / E366 (SS/SS/SS) 3/4" IG (SS-D)											
	0.087	0.266	0.087	0.266	0.087			ARG90	0.022(#2) / 0.022(#5)	CL	SS-D	N,S
	U-Factor 0.23			SHGC (N / <1) 0.19 / 0.17				VT (N / <1) 0.36 / 0.32			CR 66	
1736	142.294 / Opt 4 (INN Refo KS/LS/S, Foam): E366 / arg / clr / arg / E366 (SS/SS/SS) 3/4" IG (SS-D)											
	0.087	0.266	0.087	0.266	0.087			ARG90	0.022(#2) / 0.022(#5)	CL	SS-D	G,S
	U-Factor 0.23			SHGC (<1) 0.17				VT (<1) 0.32			CR 66	
1737	142.294 / Opt 4 (INN Refo KS/LS/S, Foam): clr / air / clr (SS/SS) 3/4" IG											
	0.087	0.563	0.087					AIR		CL	TS-D	N,G,S
	U-Factor 0.45			SHGC (N / <1) 0.61 / 0.54				VT (N / <1) 0.63 / 0.56			CR 44	
1738	142.294 / Opt 4 (INN Refo KS/LS/S, Foam): clr / air / clr (DS/DS) 3/4" IG											
	0.118	0.500	0.118					AIR		CL	TS-D	N,G,S
	U-Factor 0.45			SHGC (N / <1) 0.59 / 0.53				VT (N / <1) 0.62 / 0.56			CR 43	
1739	142.294 / Opt 4 (INN Refo KS/LS/S, Foam): clr / air / clr (5mm/DS) 3/4" IG											
	0.185	0.438	0.118					AIR		CL	TS-D	N,G,S
	U-Factor 0.45			SHGC (N / <1) 0.57 / 0.51				VT (N / <1) 0.62 / 0.55			CR 43	
1740	142.294 / Opt 4 (INN Refo KS/LS/S, Foam): clr / air / clr (5mm/DS) 3/4" IG											
	0.185	0.438	0.118					AIR		CL	TS-D	G
	U-Factor 0.45			SHGC (<1) 0.51				VT (<1) 0.55			CR 43	
1741	142.294 / Opt 4 (INN Refo KS/LS/S, Foam): lami / air / clr (DS 090 DS/DS) 3/4" IG											
	0.264	0.345	0.118					AIR		CL	TS-D	N,S
	U-Factor 0.46			SHGC (N / <1) 0.55 / 0.49				VT (N / <1) 0.61 / 0.55			CR 42	
	142.294 / Opt 4 (INN Refo KS/LS/S, Foam): clr / air / lami (DS/DS 090 DS) 3/4" IG											
	0.118	0.345	0.264					AIR		CL	TS-D	N,S
	U-Factor 0.46			SHGC (N / <1) 0.57 / 0.51				VT (N / <1) 0.61 / 0.55			CR 42	
1742	142.294 / Opt 4 (INN Refo KS/LS/S, Foam): lami / air / clr (DS 090 DS/DS) 3/4" IG											
	0.264	0.345	0.118					AIR		CL	TS-D	G,S
	U-Factor 0.47			SHGC (<1) 0.49				VT (<1) 0.55			CR 42	
	142.294 / Opt 4 (INN Refo KS/LS/S, Foam): clr / air / lami (DS/DS 090 DS) 3/4" IG											
	0.118	0.345	0.264					AIR		CL	TS-D	G,S
	U-Factor 0.47			SHGC (<1) 0.51				VT (<1) 0.55			CR 42	

**NFRC 100/200/500 Summary Sheet
Windgate/Belmont/Hawthorne 2-Lite Slider**

ID	Pane Thickness 1	Gap Width 1	Pane Thickness 2	Gap Width 2	Pane Thickness 3	Gap Width 3	Pane Thickness 4	Gap Fill	Low-e (Surface#)	Tint	Spacer	Grid Type
	U-Factor			Solar Heat Gain Coefficient (SHGC) Grids (None / <1 / >=1)				Visible Transmittance (VT) Grids (None / <1 / >=1)			Condensation Resistance	
1743	142.294 / Opt 4 (INN Refo KS/LS/S, Foam): clr / air / clr / air / clr (SS/SS/SS) 3/4" IG (P1-S)											
	0.087	0.250	0.087	0.250	0.087			AIR		CL	TS-D	N,S
	U-Factor 0.37			SHGC (N / <1) 0.55 / 0.49				VT (N / <1) 0.58 / 0.52			CR 51	
1744	142.294 / Opt 4 (INN Refo KS/LS/S, Foam): clr / air / clr / air / clr (SS/SS/SS) 3/4" IG (P1-S)											
	0.087	0.250	0.087	0.250	0.087			AIR		CL	TS-D	G,S
	U-Factor 0.38			SHGC (<1) 0.49				VT (<1) 0.52			CR 51	
1745	142.294 / Opt 4 (INN Refo KS/LS/S, Foam): 70/36 / air / clr (SS/SS) 3/4" IG											
	0.090	0.563	0.090					AIR	0.036(#2)	CL	TS-D	N,G,S
	U-Factor 0.31			SHGC (N / <1) 0.30 / 0.27				VT (N / <1) 0.54 / 0.48			CR 55	
	142.294 / Opt 4 (INN Refo KS/LS/S, Foam): clr / air / 70/36 (SS/SS) 3/4" IG											
	0.090	0.563	0.090					AIR	0.036(#3)	CL	TS-D	N,G,S
	U-Factor 0.31			SHGC (N / <1) 0.37 / 0.33				VT (N / <1) 0.54 / 0.48			CR 55	
1746	142.294 / Opt 4 (INN Refo KS/LS/S, Foam): 70/36 / arg / clr (SS/SS) 3/4" IG											
	0.090	0.563	0.090					ARG90	0.036(#2)	CL	TS-D	N,G,S
	U-Factor 0.28			SHGC (N / <1) 0.30 / 0.27				VT (N / <1) 0.54 / 0.48			CR 58	
	142.294 / Opt 4 (INN Refo KS/LS/S, Foam): clr / arg / 70/36 (SS/SS) 3/4" IG											
	0.090	0.563	0.090					ARG90	0.036(#3)	CL	TS-D	N,G,S
	U-Factor 0.28			SHGC (N / <1) 0.38 / 0.34				VT (N / <1) 0.54 / 0.48			CR 58	
1747	142.294 / Opt 4 (INN Refo KS/LS/S, Foam): 70/36 / air / clr (DS/DS) 3/4" IG											
	0.117	0.500	0.117					AIR	0.036(#2)	CL	TS-D	N,G,S
	U-Factor 0.31			SHGC (N / <1) 0.30 / 0.27				VT (N / <1) 0.53 / 0.47			CR 53	
	142.294 / Opt 4 (INN Refo KS/LS/S, Foam): clr / air / 70/36 (DS/DS) 3/4" IG											
	0.117	0.500	0.117					AIR	0.036(#3)	CL	TS-D	N,G,S
	U-Factor 0.31			SHGC (N / <1) 0.37 / 0.33				VT (N / <1) 0.53 / 0.47			CR 53	
1748	142.294 / Opt 4 (INN Refo KS/LS/S, Foam): 70/36 / arg / clr (DS/DS) 3/4" IG											
	0.117	0.500	0.117					ARG90	0.036(#2)	CL	TS-D	N,G,S
	U-Factor 0.28			SHGC (N / <1) 0.29 / 0.27				VT (N / <1) 0.53 / 0.47			CR 56	
	142.294 / Opt 4 (INN Refo KS/LS/S, Foam): clr / arg / 70/36 (DS/DS) 3/4" IG											
	0.117	0.500	0.117					ARG90	0.036(#3)	CL	TS-D	N,G,S
	U-Factor 0.28			SHGC (N / <1) 0.37 / 0.33				VT (N / <1) 0.53 / 0.47			CR 56	

NFRC 100/200/500 Summary Sheet
Windgate/Belmont/Hawthorne 2-Lite Slider

ID	Pane Thickness 1	Gap Width 1	Pane Thickness 2	Gap Width 2	Pane Thickness 3	Gap Width 3	Pane Thickness 4	Gap Fill	Low-e (Surface#)	Tint	Spacer	Grid Type
	U-Factor			Solar Heat Gain Coefficient (SHGC) Grids (None / <1 / >=1)				Visible Transmittance (VT) Grids (None / <1 / >=1)			Condensation Resistance	
1749	142.294 / Opt 4 (INN Refo KS/LS/S, Foam): lami / arg / 70/36 (DS 090 DS/DS) 3/4" IG											
	0.264	0.345	0.117					ARG90	0.036(#3)	CL	TS-D	N,S
	U-Factor 0.30			SHGC (N / <1) 0.35 / 0.32				VT (N / <1) 0.52 / 0.47			CR 55	
	142.294 / Opt 4 (INN Refo KS/LS/S, Foam): 70/36 / arg / lami (DS/DS 090 DS) 3/4" IG											
	0.117	0.345	0.264					ARG90	0.036(#2)	CL	TS-D	N,S
	U-Factor 0.30			SHGC (N / <1) 0.29 / 0.26				VT (N / <1) 0.52 / 0.47			CR 55	
1750	142.294 / Opt 4 (INN Refo KS/LS/S, Foam): lami / arg / 70/36 (DS 090 DS/DS) 3/4" IG											
	0.264	0.345	0.117					ARG90	0.036(#3)	CL	TS-D	G,S
	U-Factor 0.31			SHGC (<1) 0.32				VT (<1) 0.47			CR 55	
	142.294 / Opt 4 (INN Refo KS/LS/S, Foam): 70/36 / arg / lami (DS/DS 090 DS) 3/4" IG											
	0.117	0.345	0.264					ARG90	0.036(#2)	CL	TS-D	G,S
	U-Factor 0.31			SHGC (<1) 0.26				VT (<1) 0.47			CR 55	
1751	142.294 / Opt 4 (INN Refo KS/LS/S, Foam): 70/36 / arg / clr / arg / 70/36 (SS/SS/SS) 3/4" IG											
	0.090	0.250	0.090	0.250	0.090			ARG90	0.036(#2) / 0.036(#5)	CL	TS-D	N,S
	U-Factor 0.24			SHGC (N / <1) 0.26 / 0.23				VT (N / <1) 0.42 / 0.37			CR 62	
1752	142.294 / Opt 4 (INN Refo KS/LS/S, Foam): 70/36 / arg / clr / arg / 70/36 (SS/SS/SS) 3/4" IG											
	0.090	0.250	0.090	0.250	0.090			ARG90	0.036(#2) / 0.036(#5)	CL	TS-D	G,S
	U-Factor 0.25			SHGC (<1) 0.23				VT (<1) 0.37			CR 62	
1753	142.294 / Opt 4 (INN Refo KS/LS/S, Foam): 80/70 / air / clr (SS/SS) 3/4" IG											
	0.090	0.563	0.090					AIR	0.095(#2)	CL	TS-D	N,G,S
	U-Factor 0.33			SHGC (N / <1) 0.51 / 0.46				VT (N / <1) 0.62 / 0.55			CR 53	
	142.294 / Opt 4 (INN Refo KS/LS/S, Foam): clr / air / 80/70 (SS/SS) 3/4" IG											
	0.090	0.563	0.090					AIR	0.095(#3)	CL	TS-D	N,G,S
	U-Factor 0.33			SHGC (N / <1) 0.54 / 0.49				VT (N / <1) 0.62 / 0.55			CR 53	
1754	142.294 / Opt 4 (INN Refo KS/LS/S, Foam): 80/70 / arg / clr (SS/SS) 3/4" IG											
	0.090	0.563	0.090					ARG90	0.095(#2)	CL	TS-D	N,G,S
	U-Factor 0.30			SHGC (N / <1) 0.51 / 0.46				VT (N / <1) 0.62 / 0.55			CR 56	
	142.294 / Opt 4 (INN Refo KS/LS/S, Foam): clr / arg / 80/70 (SS/SS) 3/4" IG											
	0.090	0.563	0.090					ARG90	0.095(#3)	CL	TS-D	N,G,S
	U-Factor 0.30			SHGC (N / <1) 0.54 / 0.49				VT (N / <1) 0.62 / 0.55			CR 56	

**NFRC 100/200/500 Summary Sheet
Windgate/Belmont/Hawthorne 2-Lite Slider**

ID	Pane Thickness 1	Gap Width 1	Pane Thickness 2	Gap Width 2	Pane Thickness 3	Gap Width 3	Pane Thickness 4	Gap Fill	Low-e (Surface#)	Tint	Spacer	Grid Type
	U-Factor			Solar Heat Gain Coefficient (SHGC) Grids (None / <1 / >=1)				Visible Transmittance (VT) Grids (None / <1 / >=1)			Condensation Resistance	
1755	142.294 / Opt 4 (INN Refo KS/LS/S, Foam): 80/70 / air / clr (DS/DS) 3/4" IG											
	0.117	0.500	0.117					AIR	0.095(#2)	CL	TS-D	N,G,S
	U-Factor 0.33			SHGC (N / <1) 0.51 / 0.45				VT (N / <1) 0.61 / 0.55			CR 52	
	142.294 / Opt 4 (INN Refo KS/LS/S, Foam): clr / air / 80/70 (DS/DS) 3/4" IG											
	0.117	0.500	0.117					AIR	0.095(#3)	CL	TS-D	N,G,S
	U-Factor 0.33			SHGC (N / <1) 0.53 / 0.48				VT (N / <1) 0.61 / 0.55			CR 52	
1756	142.294 / Opt 4 (INN Refo KS/LS/S, Foam): 80/70 / arg / clr (DS/DS) 3/4" IG											
	0.117	0.500	0.117					ARG90	0.095(#2)	CL	TS-D	N,G,S
	U-Factor 0.29			SHGC (N / <1) 0.51 / 0.45				VT (N / <1) 0.61 / 0.55			CR 55	
	142.294 / Opt 4 (INN Refo KS/LS/S, Foam): clr / arg / 80/70 (DS/DS) 3/4" IG											
	0.117	0.500	0.117					ARG90	0.095(#3)	CL	TS-D	N,G,S
	U-Factor 0.29			SHGC (N / <1) 0.54 / 0.48				VT (N / <1) 0.61 / 0.55			CR 55	
1757	142.294 / Opt 4 (INN Refo KS/LS/S, Foam): lami / arg / 80/70 (DS 090 DS/DS) 3/4" IG											
	0.264	0.345	0.117					ARG90	0.095(#3)	CL	TS-D	N,S
	U-Factor 0.31			SHGC (N / <1) 0.49 / 0.44				VT (N / <1) 0.60 / 0.54			CR 54	
	142.294 / Opt 4 (INN Refo KS/LS/S, Foam): 80/70 / arg / lami (DS/DS 090 DS) 3/4" IG											
	0.117	0.345	0.264					ARG90	0.095(#2)	CL	TS-D	N,S
	U-Factor 0.31			SHGC (N / <1) 0.50 / 0.45				VT (N / <1) 0.60 / 0.54			CR 54	
1758	142.294 / Opt 4 (INN Refo KS/LS/S, Foam): lami / arg / 80/70 (DS 090 DS/DS) 3/4" IG											
	0.264	0.345	0.117					ARG90	0.095(#3)	CL	TS-D	G,S
	U-Factor 0.32			SHGC (<1) 0.44				VT (<1) 0.54			CR 54	
	142.294 / Opt 4 (INN Refo KS/LS/S, Foam): 80/70 / arg / lami (DS/DS 090 DS) 3/4" IG											
	0.117	0.345	0.264					ARG90	0.095(#2)	CL	TS-D	G,S
	U-Factor 0.32			SHGC (<1) 0.45				VT (<1) 0.54			CR 54	
1759	142.294 / Opt 4 (INN Refo KS/LS/S, Foam): 80/70 / arg / clr / arg / 80/70 (SS/SS/SS) 3/4" IG											
	0.090	0.250	0.090	0.250	0.090			ARG90	0.095(#2) / 0.095(#5)	CL	TS-D	N,S
	U-Factor 0.25			SHGC (N / <1) 0.45 / 0.41				VT (N / <1) 0.56 / 0.50			CR 62	
1760	142.294 / Opt 4 (INN Refo KS/LS/S, Foam): 80/70 / arg / clr / arg / 80/70 (SS/SS/SS) 3/4" IG											
	0.090	0.250	0.090	0.250	0.090			ARG90	0.095(#2) / 0.095(#5)	CL	TS-D	G,S
	U-Factor 0.26			SHGC (<1) 0.41				VT (<1) 0.50			CR 62	

NFRC 100/200/500 Summary Sheet
Windgate/Belmont/Hawthorne 2-Lite Slider

ID	Pane Thickness 1	Gap Width 1	Pane Thickness 2	Gap Width 2	Pane Thickness 3	Gap Width 3	Pane Thickness 4	Gap Fill	Low-e (Surface#)	Tint	Spacer	Grid Type
	U-Factor			Solar Heat Gain Coefficient (SHGC) Grids (None / <1 / >=1)				Visible Transmittance (VT) Grids (None / <1 / >=1)			Condensation Resistance	
1761	148.294 / Opt 1 (INN Refo KS/LS, No Foam): clr / air / clr (SS/SS) 3/4" IG											
	0.087	0.563	0.087					AIR		CL	P1-S	N,G,S
	U-Factor 0.44			SHGC (N / <1) 0.61 / 0.54				VT (N / <1) 0.63 / 0.56			CR	46
1762	148.294 / Opt 1 (INN Refo KS/LS, No Foam): clr / air / clr (DS/DS) 3/4" IG											
	0.118	0.500	0.118					AIR		CL	P1-S	N,G,S
	U-Factor 0.44			SHGC (N / <1) 0.59 / 0.53				VT (N / <1) 0.62 / 0.56			CR	45
1763	148.294 / Opt 1 (INN Refo KS/LS, No Foam): clr / air / clr (5mm/DS) 3/4" IG											
	0.185	0.438	0.118					AIR		CL	P1-S	N,G,S
	U-Factor 0.45			SHGC (N / <1) 0.57 / 0.51				VT (N / <1) 0.62 / 0.55			CR	45
1764	148.294 / Opt 1 (INN Refo KS/LS, No Foam): clr / air / clr (5mm/DS) 3/4" IG											
	0.185	0.438	0.118					AIR		CL	P1-S	G
	U-Factor 0.45			SHGC (<1) 0.51				VT (<1) 0.55			CR	45
1765	148.294 / Opt 1 (INN Refo KS/LS, No Foam): lami / air / clr (DS 090 DS/DS) 3/4" IG											
	0.264	0.345	0.118					AIR		CL	P1-S	N,S
	U-Factor 0.46			SHGC (N / <1) 0.55 / 0.49				VT (N / <1) 0.61 / 0.55			CR	44
	148.294 / Opt 1 (INN Refo KS/LS, No Foam): clr / air / lami (DS/DS 090 DS) 3/4" IG											
	0.118	0.345	0.264					AIR		CL	P1-S	N,S
	U-Factor 0.46			SHGC (N / <1) 0.57 / 0.51				VT (N / <1) 0.61 / 0.55			CR	44
1766	148.294 / Opt 1 (INN Refo KS/LS, No Foam): lami / air / clr (DS 090 DS/DS) 3/4" IG											
	0.264	0.345	0.118					AIR		CL	P1-S	G,S
	U-Factor 0.46			SHGC (<1) 0.49				VT (<1) 0.55			CR	44
	148.294 / Opt 1 (INN Refo KS/LS, No Foam): clr / air / lami (DS/DS 090 DS) 3/4" IG											
	0.118	0.345	0.264					AIR		CL	P1-S	G,S
	U-Factor 0.46			SHGC (<1) 0.51				VT (<1) 0.55			CR	44
1767	148.294 / Opt 1 (INN Refo KS/LS, No Foam): clr / air / clr / air / clr (SS/SS/SS) 3/4" IG (P1-S)											
	0.087	0.250	0.087	0.250	0.087			AIR		CL	P1-S	N,S
	U-Factor 0.36			SHGC (N / <1) 0.55 / 0.49				VT (N / <1) 0.58 / 0.52			CR	53
1768	148.294 / Opt 1 (INN Refo KS/LS, No Foam): clr / air / clr / air / clr (SS/SS/SS) 3/4" IG (P1-S)											
	0.087	0.250	0.087	0.250	0.087			AIR		CL	P1-S	G,S
	U-Factor 0.37			SHGC (<1) 0.49				VT (<1) 0.52			CR	53

NFRC 100/200/500 Summary Sheet
Windgate/Belmont/Hawthorne 2-Lite Slider

ID	Pane Thickness 1	Gap Width 1	Pane Thickness 2	Gap Width 2	Pane Thickness 3	Gap Width 3	Pane Thickness 4	Gap Fill	Low-e (Surface#)	Tint	Spacer	Grid Type
	U-Factor			Solar Heat Gain Coefficient (SHGC) Grids (None / <1 / >=1)				Visible Transmittance (VT) Grids (None / <1 / >=1)			Condensation Resistance	
1769	148.294 / Opt 1 (INN Refo KS/LS, No Foam): E270 / air / clr (SS/SS) 3/4" IG											
	0.087	0.563	0.087					AIR	0.037(#2)	CL	P1-S	N,G,S
	U-Factor 0.30			SHGC (N / <1) 0.29 / 0.26				VT (N / <1) 0.54 / 0.48			CR	59
	148.294 / Opt 1 (INN Refo KS/LS, No Foam): clr / air / E270 (SS/SS) 3/4" IG											
	0.087	0.563	0.087					AIR	0.037(#3)	CL	P1-S	N,G,S
	U-Factor 0.30			SHGC (N / <1) 0.35 / 0.32				VT (N / <1) 0.54 / 0.48			CR	59
1770	148.294 / Opt 1 (INN Refo KS/LS, No Foam): E270 / arg / clr (SS/SS) 3/4" IG											
	0.087	0.563	0.087					ARG90	0.037(#2)	CL	P1-S	N,G,S
	U-Factor 0.27			SHGC (N / <1) 0.28 / 0.26				VT (N / <1) 0.54 / 0.48			CR	62
	148.294 / Opt 1 (INN Refo KS/LS, No Foam): clr / arg / E270 (SS/SS) 3/4" IG											
	0.087	0.563	0.087					ARG90	0.037(#3)	CL	P1-S	N,G,S
	U-Factor 0.27			SHGC (N / <1) 0.36 / 0.32				VT (N / <1) 0.54 / 0.48			CR	62
1771	148.294 / Opt 1 (INN Refo KS/LS, No Foam): E270 / air / clr (DS/DS) 3/4" IG											
	0.118	0.500	0.118					AIR	0.037(#2)	CL	P1-S	N,G,S
	U-Factor 0.30			SHGC (N / <1) 0.29 / 0.26				VT (N / <1) 0.53 / 0.47			CR	58
	148.294 / Opt 1 (INN Refo KS/LS, No Foam): clr / air / E270 (DS/DS) 3/4" IG											
	0.118	0.500	0.118					AIR	0.037(#3)	CL	P1-S	N,G,S
	U-Factor 0.30			SHGC (N / <1) 0.35 / 0.31				VT (N / <1) 0.53 / 0.47			CR	58
1772	148.294 / Opt 1 (INN Refo KS/LS, No Foam): E270 / arg / clr (DS/DS) 3/4" IG											
	0.118	0.500	0.118					ARG90	0.037(#2)	CL	P1-S	N,G,S
	U-Factor 0.27			SHGC (N / <1) 0.28 / 0.25				VT (N / <1) 0.53 / 0.47			CR	62
	148.294 / Opt 1 (INN Refo KS/LS, No Foam): clr / arg / E270 (DS/DS) 3/4" IG											
	0.118	0.500	0.118					ARG90	0.037(#3)	CL	P1-S	N,G,S
	U-Factor 0.27			SHGC (N / <1) 0.35 / 0.32				VT (N / <1) 0.53 / 0.47			CR	62
1773	148.294 / Opt 1 (INN Refo KS/LS, No Foam): lami / arg / E270 (DS 090 DS/DS) 3/4" IG											
	0.264	0.345	0.118					ARG90	0.037(#3)	CL	P1-S	N,S
	U-Factor 0.29			SHGC (N / <1) 0.33 / 0.30				VT (N / <1) 0.52 / 0.47			CR	59
	148.294 / Opt 1 (INN Refo KS/LS, No Foam): E270 / arg / lami (DS/DS 090 DS) 3/4" IG											
	0.118	0.345	0.264					ARG90	0.037(#2)	CL	P1-S	N,S
	U-Factor 0.29			SHGC (N / <1) 0.28 / 0.25				VT (N / <1) 0.52 / 0.47			CR	59

NFRC 100/200/500 Summary Sheet
Windgate/Belmont/Hawthorne 2-Lite Slider

ID	Pane Thickness 1	Gap Width 1	Pane Thickness 2	Gap Width 2	Pane Thickness 3	Gap Width 3	Pane Thickness 4	Gap Fill	Low-e (Surface#)	Tint	Spacer	Grid Type
	U-Factor			Solar Heat Gain Coefficient (SHGC) Grids (None / <1 / >=1)				Visible Transmittance (VT) Grids (None / <1 / >=1)			Condensation Resistance	
1774	148.294 / Opt 1 (INN Refo KS/LS, No Foam): lami / arg / E270 (DS 090 DS/DS) 3/4" IG											
	0.264	0.345	0.118					ARG90	0.037(#3)	CL	P1-S	G,S
	U-Factor 0.30			SHGC (<1) 0.30				VT (<1) 0.47			CR 59	
	148.294 / Opt 1 (INN Refo KS/LS, No Foam): E270 / arg / lami (DS/DS 090 DS) 3/4" IG											
	0.118	0.345	0.264					ARG90	0.037(#2)	CL	P1-S	G,S
	U-Factor 0.30			SHGC (<1) 0.25				VT (<1) 0.47			CR 59	
1775	148.294 / Opt 1 (INN Refo KS/LS, No Foam): E270 / arg / clr / arg / E270 (SS/SS/SS) 3/4" IG (P1-S)											
	0.087	0.250	0.087	0.250	0.087			ARG90	0.037(#2) / 0.037(#5)	CL	P1-S	N,S
	U-Factor 0.23			SHGC (N / <1) 0.24 / 0.22				VT (N / <1) 0.42 / 0.37			CR 68	
1776	148.294 / Opt 1 (INN Refo KS/LS, No Foam): E270 / arg / clr / arg / E270 (SS/SS/SS) 3/4" IG (P1-S)											
	0.087	0.250	0.087	0.250	0.087			ARG90	0.037(#2) / 0.037(#5)	CL	P1-S	G,S
	U-Factor 0.24			SHGC (<1) 0.22				VT (<1) 0.37			CR 68	
1777	148.294 / Opt 1 (INN Refo KS/LS, No Foam): E366 / air / clr (SS/SS) 3/4" IG											
	0.087	0.563	0.087					AIR	0.022(#2)	CL	P1-S	N,G,S
	U-Factor 0.30			SHGC (N / <1) 0.21 / 0.19				VT (N / <1) 0.50 / 0.44			CR 59	
	148.294 / Opt 1 (INN Refo KS/LS, No Foam): clr / air / E366 (SS/SS) 3/4" IG											
	0.087	0.563	0.087					AIR	0.022(#3)	CL	P1-S	N,G,S
	U-Factor 0.30			SHGC (N / <1) 0.30 / 0.27				VT (N / <1) 0.50 / 0.44			CR 59	
1778	148.294 / Opt 1 (INN Refo KS/LS, No Foam): E366 / arg / clr (SS/SS) 3/4" IG											
	0.087	0.563	0.087					ARG90	0.022(#2)	CL	P1-S	N,G,S
	U-Factor 0.26			SHGC (N / <1) 0.21 / 0.19				VT (N / <1) 0.50 / 0.44			CR 63	
	148.294 / Opt 1 (INN Refo KS/LS, No Foam): clr / arg / E366 (SS/SS) 3/4" IG											
	0.087	0.563	0.087					ARG90	0.022(#3)	CL	P1-S	N,G,S
	U-Factor 0.26			SHGC (N / <1) 0.30 / 0.27				VT (N / <1) 0.50 / 0.44			CR 63	
1779	148.294 / Opt 1 (INN Refo KS/LS, No Foam): E366 / air / clr (DS/DS) 3/4" IG											
	0.117	0.500	0.118					AIR	0.022(#2)	CL	P1-S	N,G,S
	U-Factor 0.30			SHGC (N / <1) 0.21 / 0.19				VT (N / <1) 0.49 / 0.44			CR 58	
	148.294 / Opt 1 (INN Refo KS/LS, No Foam): clr / air / E366 (DS/DS) 3/4" IG											
	0.118	0.500	0.117					AIR	0.022(#3)	CL	P1-S	N,G,S
	U-Factor 0.30			SHGC (N / <1) 0.29 / 0.27				VT (N / <1) 0.49 / 0.44			CR 58	

**NFRC 100/200/500 Summary Sheet
Windgate/Belmont/Hawthorne 2-Lite Slider**

ID	Pane Thickness 1	Gap Width 1	Pane Thickness 2	Gap Width 2	Pane Thickness 3	Gap Width 3	Pane Thickness 4	Gap Fill	Low-e (Surface#)	Tint	Spacer	Grid Type
	U-Factor			Solar Heat Gain Coefficient (SHGC) Grids (None / <1 / >=1)				Visible Transmittance (VT) Grids (None / <1 / >=1)			Condensation Resistance	
1780	148.294 / Opt 1 (INN Refo KS/LS, No Foam): E366 / arg / clr (DS/DS) 3/4" IG											
	0.117	0.500	0.118					ARG90	0.022(#2)	CL	P1-S	N,G,S
	U-Factor 0.26			SHGC (N / <1) 0.21 / 0.19				VT (N / <1) 0.49 / 0.44			CR 62	
	148.294 / Opt 1 (INN Refo KS/LS, No Foam): clr / arg / E366 (DS/DS) 3/4" IG											
	0.118	0.500	0.117					ARG90	0.022(#3)	CL	P1-S	N,G,S
	U-Factor 0.26			SHGC (N / <1) 0.30 / 0.27				VT (N / <1) 0.49 / 0.44			CR 62	
1781	148.294 / Opt 1 (INN Refo KS/LS, No Foam): lami / arg / E366 (DS 090 DS/DS) 3/4" IG											
	0.264	0.345	0.117					ARG90	0.022(#3)	CL	P1-S	N,S
	U-Factor 0.28			SHGC (N / <1) 0.29 / 0.26				VT (N / <1) 0.48 / 0.43			CR 60	
	148.294 / Opt 1 (INN Refo KS/LS, No Foam): E366 / arg / lami (DS/DS 090 DS) 3/4" IG											
	0.117	0.345	0.264					ARG90	0.022(#2)	CL	P1-S	N,S
	U-Factor 0.28			SHGC (N / <1) 0.21 / 0.19				VT (N / <1) 0.48 / 0.43			CR 60	
1782	148.294 / Opt 1 (INN Refo KS/LS, No Foam): lami / arg / E366 (DS 090 DS/DS) 3/4" IG											
	0.264	0.345	0.117					ARG90	0.022(#3)	CL	P1-S	G,S
	U-Factor 0.30			SHGC (<1) 0.26				VT (<1) 0.43			CR 60	
	148.294 / Opt 1 (INN Refo KS/LS, No Foam): E366 / arg / lami (DS/DS 090 DS) 3/4" IG											
	0.117	0.345	0.264					ARG90	0.022(#2)	CL	P1-S	G,S
	U-Factor 0.30			SHGC (<1) 0.19				VT (<1) 0.43			CR 60	
1783	148.294 / Opt 1 (INN Refo KS/LS, No Foam): E366 / arg / clr / arg / E366 (SS/SS/SS) 3/4" IG (P1-S)											
	0.087	0.250	0.087	0.250	0.087			ARG90	0.022(#2) / 0.022(#5)	CL	P1-S	N,S
	U-Factor 0.23			SHGC (N / <1) 0.19 / 0.17				VT (N / <1) 0.36 / 0.32			CR 68	
1784	148.294 / Opt 1 (INN Refo KS/LS, No Foam): E366 / arg / clr / arg / E366 (SS/SS/SS) 3/4" IG (P1-S)											
	0.087	0.250	0.087	0.250	0.087			ARG90	0.022(#2) / 0.022(#5)	CL	P1-S	G,S
	U-Factor 0.24			SHGC (<1) 0.17				VT (<1) 0.32			CR 68	
1785	148.294 / Opt 1 (INN Refo KS/LS, No Foam): 70/36 / air / clr (SS/SS) 3/4" IG											
	0.090	0.563	0.090					AIR	0.036(#2)	CL	P1-S	N,G,S
	U-Factor 0.30			SHGC (N / <1) 0.30 / 0.27				VT (N / <1) 0.54 / 0.48			CR 59	
	148.294 / Opt 1 (INN Refo KS/LS, No Foam): clr / air / 70/36 (SS/SS) 3/4" IG											
	0.090	0.563	0.090					AIR	0.036(#3)	CL	P1-S	N,G,S
	U-Factor 0.30			SHGC (N / <1) 0.37 / 0.33				VT (N / <1) 0.54 / 0.48			CR 59	

**NFRC 100/200/500 Summary Sheet
Windgate/Belmont/Hawthorne 2-Lite Slider**

ID	Pane Thickness 1	Gap Width 1	Pane Thickness 2	Gap Width 2	Pane Thickness 3	Gap Width 3	Pane Thickness 4	Gap Fill	Low-e (Surface#)	Tint	Spacer	Grid Type
	U-Factor			Solar Heat Gain Coefficient (SHGC) Grids (None / <1 / >=1)				Visible Transmittance (VT) Grids (None / <1 / >=1)			Condensation Resistance	
1786	148.294 / Opt 1 (INN Refo KS/LS, No Foam): 70/36 / arg / clr (SS/SS) 3/4" IG											
	0.090	0.563	0.090					ARG90	0.036(#2)	CL	P1-S	N,G,S
	U-Factor 0.27			SHGC (N / <1) 0.30 / 0.27				VT (N / <1) 0.54 / 0.48			CR	62
	148.294 / Opt 1 (INN Refo KS/LS, No Foam): clr / arg / 70/36 (SS/SS) 3/4" IG											
	0.090	0.563	0.090					ARG90	0.036(#3)	CL	P1-S	N,G,S
	U-Factor 0.27			SHGC (N / <1) 0.38 / 0.34				VT (N / <1) 0.54 / 0.48			CR	62
1787	148.294 / Opt 1 (INN Refo KS/LS, No Foam): 70/36 / air / clr (DS/DS) 3/4" IG											
	0.117	0.500	0.117					AIR	0.036(#2)	CL	P1-S	N,G,S
	U-Factor 0.30			SHGC (N / <1) 0.30 / 0.27				VT (N / <1) 0.53 / 0.47			CR	58
	148.294 / Opt 1 (INN Refo KS/LS, No Foam): clr / air / 70/36 (DS/DS) 3/4" IG											
	0.117	0.500	0.117					AIR	0.036(#3)	CL	P1-S	N,G,S
	U-Factor 0.30			SHGC (N / <1) 0.37 / 0.33				VT (N / <1) 0.53 / 0.47			CR	58
1788	148.294 / Opt 1 (INN Refo KS/LS, No Foam): 70/36 / arg / clr (DS/DS) 3/4" IG											
	0.117	0.500	0.117					ARG90	0.036(#2)	CL	P1-S	N,G,S
	U-Factor 0.27			SHGC (N / <1) 0.29 / 0.27				VT (N / <1) 0.53 / 0.47			CR	62
	148.294 / Opt 1 (INN Refo KS/LS, No Foam): clr / arg / 70/36 (DS/DS) 3/4" IG											
	0.117	0.500	0.117					ARG90	0.036(#3)	CL	P1-S	N,G,S
	U-Factor 0.27			SHGC (N / <1) 0.37 / 0.33				VT (N / <1) 0.53 / 0.47			CR	62
1789	148.294 / Opt 1 (INN Refo KS/LS, No Foam): lami / arg / 70/36 (DS 090 DS/DS) 3/4" IG											
	0.264	0.345	0.117					ARG90	0.036(#3)	CL	P1-S	N,S
	U-Factor 0.29			SHGC (N / <1) 0.35 / 0.32				VT (N / <1) 0.52 / 0.47			CR	59
	148.294 / Opt 1 (INN Refo KS/LS, No Foam): 70/36 / arg / lami (DS/DS 090 DS) 3/4" IG											
	0.117	0.345	0.264					ARG90	0.036(#2)	CL	P1-S	N,S
	U-Factor 0.29			SHGC (N / <1) 0.29 / 0.26				VT (N / <1) 0.52 / 0.47			CR	59
1790	148.294 / Opt 1 (INN Refo KS/LS, No Foam): lami / arg / 70/36 (DS 090 DS/DS) 3/4" IG											
	0.264	0.345	0.117					ARG90	0.036(#3)	CL	P1-S	G,S
	U-Factor 0.30			SHGC (<1) 0.32				VT (<1) 0.47			CR	59
	148.294 / Opt 1 (INN Refo KS/LS, No Foam): 70/36 / arg / lami (DS/DS 090 DS) 3/4" IG											
	0.117	0.345	0.264					ARG90	0.036(#2)	CL	P1-S	G,S
	U-Factor 0.30			SHGC (<1) 0.26				VT (<1) 0.47			CR	59

NFRC 100/200/500 Summary Sheet
Windgate/Belmont/Hawthorne 2-Lite Slider

ID	Pane Thickness 1	Gap Width 1	Pane Thickness 2	Gap Width 2	Pane Thickness 3	Gap Width 3	Pane Thickness 4	Gap Fill	Low-e (Surface#)	Tint	Spacer	Grid Type
	U-Factor			Solar Heat Gain Coefficient (SHGC) Grids (None / <1 / >=1)				Visible Transmittance (VT) Grids (None / <1 / >=1)			Condensation Resistance	
1791	148.294 / Opt 1 (INN Refo KS/LS, No Foam): 70/36 / arg / clr / arg / 70/36 (SS/SS/SS) 3/4" IG											
	0.090	0.250	0.090	0.250	0.090			ARG90	0.036(#2) / 0.036(#5)	CL	P1-S	N,S
	U-Factor 0.23			SHGC (N / <1) 0.26 / 0.23				VT (N / <1) 0.42 / 0.37			CR	68
1792	148.294 / Opt 1 (INN Refo KS/LS, No Foam): 70/36 / arg / clr / arg / 70/36 (SS/SS/SS) 3/4" IG											
	0.090	0.250	0.090	0.250	0.090			ARG90	0.036(#2) / 0.036(#5)	CL	P1-S	G,S
	U-Factor 0.24			SHGC (<1) 0.23				VT (<1) 0.37			CR	68
1793	148.294 / Opt 1 (INN Refo KS/LS, No Foam): 80/70 / air / clr (SS/SS) 3/4" IG											
	0.090	0.563	0.090					AIR	0.095(#2)	CL	P1-S	N,G,S
	U-Factor 0.32			SHGC (N / <1) 0.51 / 0.46				VT (N / <1) 0.62 / 0.55			CR	57
	148.294 / Opt 1 (INN Refo KS/LS, No Foam): clr / air / 80/70 (SS/SS) 3/4" IG											
	0.090	0.563	0.090					AIR	0.095(#3)	CL	P1-S	N,G,S
	U-Factor 0.32			SHGC (N / <1) 0.54 / 0.49				VT (N / <1) 0.62 / 0.55			CR	57
1794	148.294 / Opt 1 (INN Refo KS/LS, No Foam): 80/70 / arg / clr (SS/SS) 3/4" IG											
	0.090	0.563	0.090					ARG90	0.095(#2)	CL	P1-S	N,G,S
	U-Factor 0.29			SHGC (N / <1) 0.51 / 0.46				VT (N / <1) 0.62 / 0.55			CR	61
	148.294 / Opt 1 (INN Refo KS/LS, No Foam): clr / arg / 80/70 (SS/SS) 3/4" IG											
	0.090	0.563	0.090					ARG90	0.095(#3)	CL	P1-S	N,G,S
	U-Factor 0.29			SHGC (N / <1) 0.54 / 0.49				VT (N / <1) 0.62 / 0.55			CR	61
1795	148.294 / Opt 1 (INN Refo KS/LS, No Foam): 80/70 / air / clr (DS/DS) 3/4" IG											
	0.117	0.500	0.117					AIR	0.095(#2)	CL	P1-S	N,G,S
	U-Factor 0.32			SHGC (N / <1) 0.51 / 0.45				VT (N / <1) 0.61 / 0.55			CR	56
	148.294 / Opt 1 (INN Refo KS/LS, No Foam): clr / air / 80/70 (DS/DS) 3/4" IG											
	0.117	0.500	0.117					AIR	0.095(#3)	CL	P1-S	N,G,S
	U-Factor 0.32			SHGC (N / <1) 0.53 / 0.48				VT (N / <1) 0.61 / 0.55			CR	56
1796	148.294 / Opt 1 (INN Refo KS/LS, No Foam): 80/70 / arg / clr (DS/DS) 3/4" IG											
	0.117	0.500	0.117					ARG90	0.095(#2)	CL	P1-S	N,G,S
	U-Factor 0.28			SHGC (N / <1) 0.51 / 0.45				VT (N / <1) 0.61 / 0.55			CR	60
	148.294 / Opt 1 (INN Refo KS/LS, No Foam): clr / arg / 80/70 (DS/DS) 3/4" IG											
	0.117	0.500	0.117					ARG90	0.095(#3)	CL	P1-S	N,G,S
	U-Factor 0.28			SHGC (N / <1) 0.54 / 0.48				VT (N / <1) 0.61 / 0.55			CR	60

NFRC 100/200/500 Summary Sheet
Windgate/Belmont/Hawthorne 2-Lite Slider

ID	Pane Thickness 1	Gap Width 1	Pane Thickness 2	Gap Width 2	Pane Thickness 3	Gap Width 3	Pane Thickness 4	Gap Fill	Low-e (Surface#)	Tint	Spacer	Grid Type
	U-Factor			Solar Heat Gain Coefficient (SHGC) Grids (None / <1 / >=1)				Visible Transmittance (VT) Grids (None / <1 / >=1)			Condensation Resistance	
1797	148.294 / Opt 1 (INN Refo KS/LS, No Foam): lami / arg / 80/70 (DS 090 DS/DS) 3/4" IG											
	0.264	0.345	0.117					ARG90	0.095(#3)	CL	P1-S	N,S
	U-Factor 0.30			SHGC (N / <1) 0.49 / 0.44				VT (N / <1) 0.60 / 0.54			CR 58	
	148.294 / Opt 1 (INN Refo KS/LS, No Foam): 80/70 / arg / lami (DS/DS 090 DS) 3/4" IG											
	0.117	0.345	0.264					ARG90	0.095(#2)	CL	P1-S	N,S
	U-Factor 0.30			SHGC (N / <1) 0.50 / 0.45				VT (N / <1) 0.60 / 0.54			CR 58	
1798	148.294 / Opt 1 (INN Refo KS/LS, No Foam): lami / arg / 80/70 (DS 090 DS/DS) 3/4" IG											
	0.264	0.345	0.117					ARG90	0.095(#3)	CL	P1-S	G,S
	U-Factor 0.32			SHGC (<1) 0.44				VT (<1) 0.54			CR 58	
	148.294 / Opt 1 (INN Refo KS/LS, No Foam): 80/70 / arg / lami (DS/DS 090 DS) 3/4" IG											
	0.117	0.345	0.264					ARG90	0.095(#2)	CL	P1-S	G,S
	U-Factor 0.32			SHGC (<1) 0.45				VT (<1) 0.54			CR 58	
1799	148.294 / Opt 1 (INN Refo KS/LS, No Foam): 80/70 / arg / clr / arg / 80/70 (SS/SS/SS) 3/4" IG											
	0.090	0.250	0.090	0.250	0.090			ARG90	0.095(#2) / 0.095(#5)	CL	P1-S	N,S
	U-Factor 0.24			SHGC (N / <1) 0.45 / 0.41				VT (N / <1) 0.56 / 0.50			CR 67	
1800	148.294 / Opt 1 (INN Refo KS/LS, No Foam): 80/70 / arg / clr / arg / 80/70 (SS/SS/SS) 3/4" IG											
	0.090	0.250	0.090	0.250	0.090			ARG90	0.095(#2) / 0.095(#5)	CL	P1-S	G,S
	U-Factor 0.25			SHGC (<1) 0.41				VT (<1) 0.50			CR 67	
1801	148.294 / Opt 1 (INN Refo KS/LS, No Foam): clr / air / clr (SS/SS) 3/4" IG											
	0.087	0.563	0.087					AIR		CL	SS-D	N,G,S
	U-Factor 0.45			SHGC (N / <1) 0.61 / 0.54				VT (N / <1) 0.63 / 0.56			CR 44	
1802	148.294 / Opt 1 (INN Refo KS/LS, No Foam): clr / air / clr (DS/DS) 3/4" IG											
	0.118	0.500	0.118					AIR		CL	SS-D	N,G,S
	U-Factor 0.45			SHGC (N / <1) 0.59 / 0.53				VT (N / <1) 0.62 / 0.56			CR 44	
1803	148.294 / Opt 1 (INN Refo KS/LS, No Foam): clr / air / clr (5mm/DS) 3/4" IG											
	0.185	0.438	0.118					AIR		CL	SS-D	N,G,S
	U-Factor 0.45			SHGC (N / <1) 0.57 / 0.51				VT (N / <1) 0.62 / 0.55			CR 44	
1804	148.294 / Opt 1 (INN Refo KS/LS, No Foam): clr / air / clr (5mm/DS) 3/4" IG											
	0.185	0.438	0.118					AIR		CL	SS-D	G
	U-Factor 0.45			SHGC (<1) 0.51				VT (<1) 0.55			CR 44	

NFRC 100/200/500 Summary Sheet
Windgate/Belmont/Hawthorne 2-Lite Slider

ID	Pane Thickness 1	Gap Width 1	Pane Thickness 2	Gap Width 2	Pane Thickness 3	Gap Width 3	Pane Thickness 4	Gap Fill	Low-e (Surface#)	Tint	Spacer	Grid Type
	U-Factor			Solar Heat Gain Coefficient (SHGC) Grids (None / <1 / >=1)				Visible Transmittance (VT) Grids (None / <1 / >=1)			Condensation Resistance	
1805	148.294 / Opt 1 (INN Refo KS/LS, No Foam): lami / air / clr (DS 090 DS/DS) 3/4" IG											
	0.264	0.345	0.118					AIR		CL	SS-D	N,S
	U-Factor 0.46			SHGC (N / <1) 0.55 / 0.49				VT (N / <1) 0.61 / 0.55			CR 42	
	148.294 / Opt 1 (INN Refo KS/LS, No Foam): clr / air / lami (DS/DS 090 DS) 3/4" IG											
	0.118	0.345	0.264					AIR		CL	SS-D	N,S
	U-Factor 0.46			SHGC (N / <1) 0.57 / 0.51				VT (N / <1) 0.61 / 0.55			CR 42	
1806	148.294 / Opt 1 (INN Refo KS/LS, No Foam): lami / air / clr (DS 090 DS/DS) 3/4" IG											
	0.264	0.345	0.118					AIR		CL	SS-D	G,S
	U-Factor 0.47			SHGC (<1) 0.49				VT (<1) 0.55			CR 42	
	148.294 / Opt 1 (INN Refo KS/LS, No Foam): clr / air / lami (DS/DS 090 DS) 3/4" IG											
	0.118	0.345	0.264					AIR		CL	SS-D	G,S
	U-Factor 0.47			SHGC (<1) 0.51				VT (<1) 0.55			CR 42	
1807	148.294 / Opt 1 (INN Refo KS/LS, No Foam): clr / air / clr / air / clr (SS/SS/SS) 3/4" IG (P1-S)											
	0.087	0.250	0.087	0.250	0.087			AIR		CL	SS-D	N,S
	U-Factor 0.37			SHGC (N / <1) 0.55 / 0.49				VT (N / <1) 0.58 / 0.52			CR 52	
1808	148.294 / Opt 1 (INN Refo KS/LS, No Foam): clr / air / clr / air / clr (SS/SS/SS) 3/4" IG (P1-S)											
	0.087	0.250	0.087	0.250	0.087			AIR		CL	SS-D	G,S
	U-Factor 0.38			SHGC (<1) 0.49				VT (<1) 0.52			CR 52	
1809	148.294 / Opt 1 (INN Refo KS/LS, No Foam): E270 / air / clr (SS/SS) 3/4" IG											
	0.087	0.563	0.087					AIR	0.037(#2)	CL	SS-D	N,G,S
	U-Factor 0.31			SHGC (N / <1) 0.29 / 0.26				VT (N / <1) 0.54 / 0.48			CR 56	
	148.294 / Opt 1 (INN Refo KS/LS, No Foam): clr / air / E270 (SS/SS) 3/4" IG											
	0.087	0.563	0.087					AIR	0.037(#3)	CL	SS-D	N,G,S
	U-Factor 0.31			SHGC (N / <1) 0.35 / 0.32				VT (N / <1) 0.54 / 0.48			CR 56	
1810	148.294 / Opt 1 (INN Refo KS/LS, No Foam): E270 / arg / clr (SS/SS) 3/4" IG											
	0.087	0.563	0.087					ARG90	0.037(#2)	CL	SS-D	N,G,S
	U-Factor 0.28			SHGC (N / <1) 0.28 / 0.26				VT (N / <1) 0.54 / 0.48			CR 59	
	148.294 / Opt 1 (INN Refo KS/LS, No Foam): clr / arg / E270 (SS/SS) 3/4" IG											
	0.087	0.563	0.087					ARG90	0.037(#3)	CL	SS-D	N,G,S
	U-Factor 0.28			SHGC (N / <1) 0.36 / 0.32				VT (N / <1) 0.54 / 0.48			CR 59	

NFRC 100/200/500 Summary Sheet
Windgate/Belmont/Hawthorne 2-Lite Slider

ID	Pane Thickness 1	Gap Width 1	Pane Thickness 2	Gap Width 2	Pane Thickness 3	Gap Width 3	Pane Thickness 4	Gap Fill	Low-e (Surface#)	Tint	Spacer	Grid Type
	U-Factor			Solar Heat Gain Coefficient (SHGC) Grids (None / <1 / >=1)				Visible Transmittance (VT) Grids (None / <1 / >=1)			Condensation Resistance	
1811	148.294 / Opt 1 (INN Refo KS/LS, No Foam): E270 / air / clr (DS/DS) 3/4" IG											
	0.118	0.500	0.118					AIR	0.037(#2)	CL	SS-D	N,G,S
	U-Factor 0.31			SHGC (N / <1) 0.29 / 0.26				VT (N / <1) 0.53 / 0.47			CR 55	
	148.294 / Opt 1 (INN Refo KS/LS, No Foam): clr / air / E270 (DS/DS) 3/4" IG											
	0.118	0.500	0.118					AIR	0.037(#3)	CL	SS-D	N,G,S
	U-Factor 0.31			SHGC (N / <1) 0.35 / 0.31				VT (N / <1) 0.53 / 0.47			CR 55	
1812	148.294 / Opt 1 (INN Refo KS/LS, No Foam): E270 / arg / clr (DS/DS) 3/4" IG											
	0.118	0.500	0.118					ARG90	0.037(#2)	CL	SS-D	N,G,S
	U-Factor 0.28			SHGC (N / <1) 0.28 / 0.25				VT (N / <1) 0.53 / 0.47			CR 58	
	148.294 / Opt 1 (INN Refo KS/LS, No Foam): clr / arg / E270 (DS/DS) 3/4" IG											
	0.118	0.500	0.118					ARG90	0.037(#3)	CL	SS-D	N,G,S
	U-Factor 0.28			SHGC (N / <1) 0.35 / 0.32				VT (N / <1) 0.53 / 0.47			CR 58	
1813	148.294 / Opt 1 (INN Refo KS/LS, No Foam): lami / arg / E270 (DS 090 DS/DS) 3/4" IG											
	0.264	0.345	0.118					ARG90	0.037(#3)	CL	SS-D	N,S
	U-Factor 0.30			SHGC (N / <1) 0.33 / 0.30				VT (N / <1) 0.52 / 0.47			CR 56	
	148.294 / Opt 1 (INN Refo KS/LS, No Foam): E270 / arg / lami (DS/DS 090 DS) 3/4" IG											
	0.118	0.345	0.264					ARG90	0.037(#2)	CL	SS-D	N,S
	U-Factor 0.30			SHGC (N / <1) 0.28 / 0.25				VT (N / <1) 0.52 / 0.47			CR 56	
1814	148.294 / Opt 1 (INN Refo KS/LS, No Foam): lami / arg / E270 (DS 090 DS/DS) 3/4" IG											
	0.264	0.345	0.118					ARG90	0.037(#3)	CL	SS-D	G,S
	U-Factor 0.31			SHGC (<1) 0.30				VT (<1) 0.47			CR 56	
	148.294 / Opt 1 (INN Refo KS/LS, No Foam): E270 / arg / lami (DS/DS 090 DS) 3/4" IG											
	0.118	0.345	0.264					ARG90	0.037(#2)	CL	SS-D	G,S
	U-Factor 0.31			SHGC (<1) 0.25				VT (<1) 0.47			CR 56	
1815	148.294 / Opt 1 (INN Refo KS/LS, No Foam): E270 / arg / clr / arg / E270 (SS/SS/SS) 3/4" IG (SS-D)											
	0.087	0.266	0.087	0.266	0.087			ARG90	0.037(#2) / 0.037(#5)	CL	SS-D	N,S
	U-Factor 0.23			SHGC (N / <1) 0.24 / 0.22				VT (N / <1) 0.42 / 0.37			CR 66	
1816	148.294 / Opt 1 (INN Refo KS/LS, No Foam): E270 / arg / clr / arg / E270 (SS/SS/SS) 3/4" IG (SS-D)											
	0.087	0.266	0.087	0.266	0.087			ARG90	0.037(#2) / 0.037(#5)	CL	SS-D	G,S
	U-Factor 0.24			SHGC (<1) 0.22				VT (<1) 0.37			CR 66	

NFRC 100/200/500 Summary Sheet
Windgate/Belmont/Hawthorne 2-Lite Slider

ID	Pane Thickness 1	Gap Width 1	Pane Thickness 2	Gap Width 2	Pane Thickness 3	Gap Width 3	Pane Thickness 4	Gap Fill	Low-e (Surface#)	Tint	Spacer	Grid Type
	U-Factor			Solar Heat Gain Coefficient (SHGC) Grids (None / <1 / >=1)				Visible Transmittance (VT) Grids (None / <1 / >=1)			Condensation Resistance	
1817	148.294 / Opt 1 (INN Refo KS/LS, No Foam): E366 / air / clr (SS/SS) 3/4" IG											
	0.087	0.563	0.087					AIR	0.022(#2)	CL	SS-D	N,G,S
	U-Factor 0.31			SHGC (N / <1) 0.21 / 0.19				VT (N / <1) 0.50 / 0.44			CR 56	
	148.294 / Opt 1 (INN Refo KS/LS, No Foam): clr / air / E366 (SS/SS) 3/4" IG											
	0.087	0.563	0.087					AIR	0.022(#3)	CL	SS-D	N,G,S
	U-Factor 0.31			SHGC (N / <1) 0.30 / 0.27				VT (N / <1) 0.50 / 0.44			CR 56	
1818	148.294 / Opt 1 (INN Refo KS/LS, No Foam): E366 / arg / clr (SS/SS) 3/4" IG											
	0.087	0.563	0.087					ARG90	0.022(#2)	CL	SS-D	N,G,S
	U-Factor 0.28			SHGC (N / <1) 0.21 / 0.19				VT (N / <1) 0.50 / 0.44			CR 59	
	148.294 / Opt 1 (INN Refo KS/LS, No Foam): clr / arg / E366 (SS/SS) 3/4" IG											
	0.087	0.563	0.087					ARG90	0.022(#3)	CL	SS-D	N,G,S
	U-Factor 0.28			SHGC (N / <1) 0.30 / 0.27				VT (N / <1) 0.50 / 0.44			CR 59	
1819	148.294 / Opt 1 (INN Refo KS/LS, No Foam): E366 / air / clr (DS/DS) 3/4" IG											
	0.117	0.500	0.118					AIR	0.022(#2)	CL	SS-D	N,G,S
	U-Factor 0.31			SHGC (N / <1) 0.21 / 0.19				VT (N / <1) 0.49 / 0.44			CR 55	
	148.294 / Opt 1 (INN Refo KS/LS, No Foam): clr / air / E366 (DS/DS) 3/4" IG											
	0.118	0.500	0.117					AIR	0.022(#3)	CL	SS-D	N,G,S
	U-Factor 0.31			SHGC (N / <1) 0.29 / 0.27				VT (N / <1) 0.49 / 0.44			CR 55	
1820	148.294 / Opt 1 (INN Refo KS/LS, No Foam): E366 / arg / clr (DS/DS) 3/4" IG											
	0.117	0.500	0.118					ARG90	0.022(#2)	CL	SS-D	N,G,S
	U-Factor 0.27			SHGC (N / <1) 0.21 / 0.19				VT (N / <1) 0.49 / 0.44			CR 59	
	148.294 / Opt 1 (INN Refo KS/LS, No Foam): clr / arg / E366 (DS/DS) 3/4" IG											
	0.118	0.500	0.117					ARG90	0.022(#3)	CL	SS-D	N,G,S
	U-Factor 0.27			SHGC (N / <1) 0.30 / 0.27				VT (N / <1) 0.49 / 0.44			CR 59	
1821	148.294 / Opt 1 (INN Refo KS/LS, No Foam): lami / arg / E366 (DS 090 DS/DS) 3/4" IG											
	0.264	0.345	0.117					ARG90	0.022(#3)	CL	SS-D	N,S
	U-Factor 0.29			SHGC (N / <1) 0.29 / 0.26				VT (N / <1) 0.48 / 0.43			CR 56	
	148.294 / Opt 1 (INN Refo KS/LS, No Foam): E366 / arg / lami (DS/DS 090 DS) 3/4" IG											
	0.117	0.345	0.264					ARG90	0.022(#2)	CL	SS-D	N,S
	U-Factor 0.29			SHGC (N / <1) 0.21 / 0.19				VT (N / <1) 0.48 / 0.43			CR 56	

**NFRC 100/200/500 Summary Sheet
Windgate/Belmont/Hawthorne 2-Lite Slider**

ID	Pane Thickness 1	Gap Width 1	Pane Thickness 2	Gap Width 2	Pane Thickness 3	Gap Width 3	Pane Thickness 4	Gap Width 4	Gap Fill	Low-e (Surface#)	Tint	Spacer	Grid Type
	U-Factor			Solar Heat Gain Coefficient (SHGC) Grids (None / <1 / >=1)					Visible Transmittance (VT) Grids (None / <1 / >=1)			Condensation Resistance	
1822	148.294 / Opt 1 (INN Refo KS/LS, No Foam): lami / arg / E366 (DS 090 DS/DS) 3/4" IG												
	0.264	0.345	0.117						ARG90	0.022(#3)	CL	SS-D	G,S
	U-Factor 0.31			SHGC (<1) 0.26					VT (<1) 0.43			CR 56	
	148.294 / Opt 1 (INN Refo KS/LS, No Foam): E366 / arg / lami (DS/DS 090 DS) 3/4" IG												
	0.117	0.345	0.264						ARG90	0.022(#2)	CL	SS-D	G,S
	U-Factor 0.31			SHGC (<1) 0.19					VT (<1) 0.43			CR 56	
1823	148.294 / Opt 1 (INN Refo KS/LS, No Foam): E366 / arg / clr / arg / E366 (SS/SS/SS) 3/4" IG (SS-D)												
	0.087	0.266	0.087	0.266	0.087				ARG90	0.022(#2) / 0.022(#5)	CL	SS-D	N,S
	U-Factor 0.23			SHGC (N / <1) 0.19 / 0.17					VT (N / <1) 0.36 / 0.32			CR 66	
1824	148.294 / Opt 1 (INN Refo KS/LS, No Foam): E366 / arg / clr / arg / E366 (SS/SS/SS) 3/4" IG (SS-D)												
	0.087	0.266	0.087	0.266	0.087				ARG90	0.022(#2) / 0.022(#5)	CL	SS-D	G,S
	U-Factor 0.24			SHGC (<1) 0.17					VT (<1) 0.32			CR 66	
1825	148.294 / Opt 1 (INN Refo KS/LS, No Foam): clr / air / clr (SS/SS) 3/4" IG												
	0.087	0.563	0.087						AIR		CL	TS-D	N,G,S
	U-Factor 0.45			SHGC (N / <1) 0.61 / 0.54					VT (N / <1) 0.63 / 0.56			CR 44	
1826	148.294 / Opt 1 (INN Refo KS/LS, No Foam): clr / air / clr (DS/DS) 3/4" IG												
	0.118	0.500	0.118						AIR		CL	TS-D	N,G,S
	U-Factor 0.45			SHGC (N / <1) 0.59 / 0.53					VT (N / <1) 0.62 / 0.56			CR 43	
1827	148.294 / Opt 1 (INN Refo KS/LS, No Foam): clr / air / clr (5mm/DS) 3/4" IG												
	0.185	0.438	0.118						AIR		CL	TS-D	N,G,S
	U-Factor 0.45			SHGC (N / <1) 0.57 / 0.51					VT (N / <1) 0.62 / 0.55			CR 43	
1828	148.294 / Opt 1 (INN Refo KS/LS, No Foam): clr / air / clr (5mm/DS) 3/4" IG												
	0.185	0.438	0.118						AIR		CL	TS-D	G
	U-Factor 0.46			SHGC (<1) 0.51					VT (<1) 0.55			CR 43	
1829	148.294 / Opt 1 (INN Refo KS/LS, No Foam): lami / air / clr (DS 090 DS/DS) 3/4" IG												
	0.264	0.345	0.118						AIR		CL	TS-D	N,S
	U-Factor 0.47			SHGC (N / <1) 0.55 / 0.49					VT (N / <1) 0.61 / 0.55			CR 42	
	148.294 / Opt 1 (INN Refo KS/LS, No Foam): clr / air / lami (DS/DS 090 DS) 3/4" IG												
	0.118	0.345	0.264						AIR		CL	TS-D	N,S
	U-Factor 0.47			SHGC (N / <1) 0.57 / 0.51					VT (N / <1) 0.61 / 0.55			CR 42	

**NFRC 100/200/500 Summary Sheet
Windgate/Belmont/Hawthorne 2-Lite Slider**

ID	Pane Thickness 1	Gap Width 1	Pane Thickness 2	Gap Width 2	Pane Thickness 3	Gap Width 3	Pane Thickness 4	Gap Width 4	Gap Fill	Low-e (Surface#)	Tint	Spacer	Grid Type
	U-Factor			Solar Heat Gain Coefficient (SHGC) Grids (None / <1 / >=1)					Visible Transmittance (VT) Grids (None / <1 / >=1)			Condensation Resistance	
1830	148.294 / Opt 1 (INN Refo KS/LS, No Foam): lami / air / clr (DS 090 DS/DS) 3/4" IG												
	0.264	0.345	0.118						AIR		CL	TS-D	G,S
	U-Factor 0.47			SHGC (<1) 0.49					VT (<1) 0.55			CR 42	
	148.294 / Opt 1 (INN Refo KS/LS, No Foam): clr / air / lami (DS/DS 090 DS) 3/4" IG												
	0.118	0.345	0.264						AIR		CL	TS-D	G,S
	U-Factor 0.47			SHGC (<1) 0.51					VT (<1) 0.55			CR 42	
1831	148.294 / Opt 1 (INN Refo KS/LS, No Foam): clr / air / clr / air / clr (SS/SS/SS) 3/4" IG (P1-S)												
	0.087	0.250	0.087	0.250	0.087				AIR		CL	TS-D	N,S
	U-Factor 0.37			SHGC (N / <1) 0.55 / 0.49					VT (N / <1) 0.58 / 0.52			CR 51	
1832	148.294 / Opt 1 (INN Refo KS/LS, No Foam): clr / air / clr / air / clr (SS/SS/SS) 3/4" IG (P1-S)												
	0.087	0.250	0.087	0.250	0.087				AIR		CL	TS-D	G,S
	U-Factor 0.38			SHGC (<1) 0.49					VT (<1) 0.52			CR 51	
1833	148.294 / Opt 1 (INN Refo KS/LS, No Foam): 70/36 / air / clr (SS/SS) 3/4" IG												
	0.090	0.563	0.090						AIR	0.036(#2)	CL	TS-D	N,G,S
	U-Factor 0.32			SHGC (N / <1) 0.30 / 0.27					VT (N / <1) 0.54 / 0.48			CR 55	
	148.294 / Opt 1 (INN Refo KS/LS, No Foam): clr / air / 70/36 (SS/SS) 3/4" IG												
	0.090	0.563	0.090						AIR	0.036(#3)	CL	TS-D	N,G,S
	U-Factor 0.32			SHGC (N / <1) 0.37 / 0.33					VT (N / <1) 0.54 / 0.48			CR 55	
1834	148.294 / Opt 1 (INN Refo KS/LS, No Foam): 70/36 / arg / clr (SS/SS) 3/4" IG												
	0.090	0.563	0.090						ARG90	0.036(#2)	CL	TS-D	N,G,S
	U-Factor 0.28			SHGC (N / <1) 0.30 / 0.27					VT (N / <1) 0.54 / 0.48			CR 58	
	148.294 / Opt 1 (INN Refo KS/LS, No Foam): clr / arg / 70/36 (SS/SS) 3/4" IG												
	0.090	0.563	0.090						ARG90	0.036(#3)	CL	TS-D	N,G,S
	U-Factor 0.28			SHGC (N / <1) 0.38 / 0.34					VT (N / <1) 0.54 / 0.48			CR 58	
1835	148.294 / Opt 1 (INN Refo KS/LS, No Foam): 70/36 / air / clr (DS/DS) 3/4" IG												
	0.117	0.500	0.117						AIR	0.036(#2)	CL	TS-D	N,G,S
	U-Factor 0.31			SHGC (N / <1) 0.30 / 0.27					VT (N / <1) 0.53 / 0.47			CR 53	
	148.294 / Opt 1 (INN Refo KS/LS, No Foam): clr / air / 70/36 (DS/DS) 3/4" IG												
	0.117	0.500	0.117						AIR	0.036(#3)	CL	TS-D	N,G,S
	U-Factor 0.31			SHGC (N / <1) 0.37 / 0.33					VT (N / <1) 0.53 / 0.47			CR 53	

NFRC 100/200/500 Summary Sheet
Windgate/Belmont/Hawthorne 2-Lite Slider

ID	Pane Thickness 1	Gap Width 1	Pane Thickness 2	Gap Width 2	Pane Thickness 3	Gap Width 3	Pane Thickness 4	Gap Fill	Low-e (Surface#)	Tint	Spacer	Grid Type
	U-Factor			Solar Heat Gain Coefficient (SHGC) Grids (None / <1 / >=1)				Visible Transmittance (VT) Grids (None / <1 / >=1)			Condensation Resistance	
1836	148.294 / Opt 1 (INN Refo KS/LS, No Foam): 70/36 / arg / clr (DS/DS) 3/4" IG											
	0.117	0.500	0.117					ARG90	0.036(#2)	CL	TS-D	N,G,S
	U-Factor 0.28			SHGC (N / <1) 0.29 / 0.27				VT (N / <1) 0.53 / 0.47			CR 56	
	148.294 / Opt 1 (INN Refo KS/LS, No Foam): clr / arg / 70/36 (DS/DS) 3/4" IG											
	0.117	0.500	0.117					ARG90	0.036(#3)	CL	TS-D	N,G,S
	U-Factor 0.28			SHGC (N / <1) 0.37 / 0.33				VT (N / <1) 0.53 / 0.47			CR 56	
1837	148.294 / Opt 1 (INN Refo KS/LS, No Foam): lami / arg / 70/36 (DS 090 DS/DS) 3/4" IG											
	0.264	0.345	0.117					ARG90	0.036(#3)	CL	TS-D	N,S
	U-Factor 0.30			SHGC (N / <1) 0.35 / 0.32				VT (N / <1) 0.52 / 0.47			CR 55	
	148.294 / Opt 1 (INN Refo KS/LS, No Foam): 70/36 / arg / lami (DS/DS 090 DS) 3/4" IG											
	0.117	0.345	0.264					ARG90	0.036(#2)	CL	TS-D	N,S
	U-Factor 0.30			SHGC (N / <1) 0.29 / 0.26				VT (N / <1) 0.52 / 0.47			CR 55	
1838	148.294 / Opt 1 (INN Refo KS/LS, No Foam): lami / arg / 70/36 (DS 090 DS/DS) 3/4" IG											
	0.264	0.345	0.117					ARG90	0.036(#3)	CL	TS-D	G,S
	U-Factor 0.31			SHGC (<1) 0.32				VT (<1) 0.47			CR 55	
	148.294 / Opt 1 (INN Refo KS/LS, No Foam): 70/36 / arg / lami (DS/DS 090 DS) 3/4" IG											
	0.117	0.345	0.264					ARG90	0.036(#2)	CL	TS-D	G,S
	U-Factor 0.31			SHGC (<1) 0.26				VT (<1) 0.47			CR 55	
1839	148.294 / Opt 1 (INN Refo KS/LS, No Foam): 70/36 / arg / clr / arg / 70/36 (SS/SS/SS) 3/4" IG											
	0.090	0.250	0.090	0.250	0.090			ARG90	0.036(#2) / 0.036(#5)	CL	TS-D	N,S
	U-Factor 0.24			SHGC (N / <1) 0.26 / 0.23				VT (N / <1) 0.42 / 0.37			CR 63	
1840	148.294 / Opt 1 (INN Refo KS/LS, No Foam): 70/36 / arg / clr / arg / 70/36 (SS/SS/SS) 3/4" IG											
	0.090	0.250	0.090	0.250	0.090			ARG90	0.036(#2) / 0.036(#5)	CL	TS-D	G,S
	U-Factor 0.25			SHGC (<1) 0.23				VT (<1) 0.37			CR 63	
1841	148.294 / Opt 1 (INN Refo KS/LS, No Foam): 80/70 / air / clr (SS/SS) 3/4" IG											
	0.090	0.563	0.090					AIR	0.095(#2)	CL	TS-D	N,G,S
	U-Factor 0.33			SHGC (N / <1) 0.51 / 0.46				VT (N / <1) 0.62 / 0.55			CR 53	
	148.294 / Opt 1 (INN Refo KS/LS, No Foam): clr / air / 80/70 (SS/SS) 3/4" IG											
	0.090	0.563	0.090					AIR	0.095(#3)	CL	TS-D	N,G,S
	U-Factor 0.33			SHGC (N / <1) 0.54 / 0.49				VT (N / <1) 0.62 / 0.55			CR 53	

NFRC 100/200/500 Summary Sheet
Windgate/Belmont/Hawthorne 2-Lite Slider

ID	Pane Thickness 1	Gap Width 1	Pane Thickness 2	Gap Width 2	Pane Thickness 3	Gap Width 3	Pane Thickness 4	Gap Fill	Low-e (Surface#)	Tint	Spacer	Grid Type
	U-Factor			Solar Heat Gain Coefficient (SHGC) Grids (None / <1 / >=1)				Visible Transmittance (VT) Grids (None / <1 / >=1)			Condensation Resistance	
1842	148.294 / Opt 1 (INN Refo KS/LS, No Foam): 80/70 / arg / clr (SS/SS) 3/4" IG											
	0.090	0.563	0.090					ARG90	0.095(#2)	CL	TS-D	N,G,S
	U-Factor 0.30			SHGC (N / <1) 0.51 / 0.46				VT (N / <1) 0.62 / 0.55			CR	56
	148.294 / Opt 1 (INN Refo KS/LS, No Foam): clr / arg / 80/70 (SS/SS) 3/4" IG											
	0.090	0.563	0.090					ARG90	0.095(#3)	CL	TS-D	N,G,S
	U-Factor 0.30			SHGC (N / <1) 0.54 / 0.49				VT (N / <1) 0.62 / 0.55			CR	56
1843	148.294 / Opt 1 (INN Refo KS/LS, No Foam): 80/70 / air / clr (DS/DS) 3/4" IG											
	0.117	0.500	0.117					AIR	0.095(#2)	CL	TS-D	N,G,S
	U-Factor 0.33			SHGC (N / <1) 0.51 / 0.45				VT (N / <1) 0.61 / 0.55			CR	52
	148.294 / Opt 1 (INN Refo KS/LS, No Foam): clr / air / 80/70 (DS/DS) 3/4" IG											
	0.117	0.500	0.117					AIR	0.095(#3)	CL	TS-D	N,G,S
	U-Factor 0.33			SHGC (N / <1) 0.53 / 0.48				VT (N / <1) 0.61 / 0.55			CR	52
1844	148.294 / Opt 1 (INN Refo KS/LS, No Foam): 80/70 / arg / clr (DS/DS) 3/4" IG											
	0.117	0.500	0.117					ARG90	0.095(#2)	CL	TS-D	N,G,S
	U-Factor 0.30			SHGC (N / <1) 0.51 / 0.45				VT (N / <1) 0.61 / 0.55			CR	55
	148.294 / Opt 1 (INN Refo KS/LS, No Foam): clr / arg / 80/70 (DS/DS) 3/4" IG											
	0.117	0.500	0.117					ARG90	0.095(#3)	CL	TS-D	N,G,S
	U-Factor 0.30			SHGC (N / <1) 0.54 / 0.48				VT (N / <1) 0.61 / 0.55			CR	55
1845	148.294 / Opt 1 (INN Refo KS/LS, No Foam): lami / arg / 80/70 (DS 090 DS/DS) 3/4" IG											
	0.264	0.345	0.117					ARG90	0.095(#3)	CL	TS-D	N,S
	U-Factor 0.31			SHGC (N / <1) 0.49 / 0.44				VT (N / <1) 0.60 / 0.54			CR	54
	148.294 / Opt 1 (INN Refo KS/LS, No Foam): 80/70 / arg / lami (DS/DS 090 DS) 3/4" IG											
	0.117	0.345	0.264					ARG90	0.095(#2)	CL	TS-D	N,S
	U-Factor 0.31			SHGC (N / <1) 0.50 / 0.45				VT (N / <1) 0.60 / 0.54			CR	54
1846	148.294 / Opt 1 (INN Refo KS/LS, No Foam): lami / arg / 80/70 (DS 090 DS/DS) 3/4" IG											
	0.264	0.345	0.117					ARG90	0.095(#3)	CL	TS-D	G,S
	U-Factor 0.33			SHGC (<1) 0.44				VT (<1) 0.54			CR	54
	148.294 / Opt 1 (INN Refo KS/LS, No Foam): 80/70 / arg / lami (DS/DS 090 DS) 3/4" IG											
	0.117	0.345	0.264					ARG90	0.095(#2)	CL	TS-D	G,S
	U-Factor 0.33			SHGC (<1) 0.45				VT (<1) 0.54			CR	54

NFRC 100/200/500 Summary Sheet
Windgate/Belmont/Hawthorne 2-Lite Slider

ID	Pane Thickness 1	Gap Width 1	Pane Thickness 2	Gap Width 2	Pane Thickness 3	Gap Width 3	Pane Thickness 4	Gap Fill	Low-e (Surface#)	Tint	Spacer	Grid Type
	U-Factor			Solar Heat Gain Coefficient (SHGC) Grids (None / <1 / >=1)				Visible Transmittance (VT) Grids (None / <1 / >=1)			Condensation Resistance	
1847	148.294 / Opt 1 (INN Refo KS/LS, No Foam): 80/70 / arg / clr / arg / 80/70 (SS/SS/SS) 3/4" IG											
	0.090	0.250	0.090	0.250	0.090			ARG90	0.095(#2) / 0.095(#5)	CL	TS-D	N,S
	U-Factor 0.25			SHGC (N / <1) 0.45 / 0.41				VT (N / <1) 0.56 / 0.50			CR 62	
1848	148.294 / Opt 1 (INN Refo KS/LS, No Foam): 80/70 / arg / clr / arg / 80/70 (SS/SS/SS) 3/4" IG											
	0.090	0.250	0.090	0.250	0.090			ARG90	0.095(#2) / 0.095(#5)	CL	TS-D	G,S
	U-Factor 0.26			SHGC (<1) 0.41				VT (<1) 0.50			CR 62	
1849	148.294 / Opt 2 (INN Refo KS/LS/S, No Foam): clr / air / clr (SS/SS) 3/4" IG											
	0.087	0.563	0.087					AIR		CL	P1-S	N,G,S
	U-Factor 0.44			SHGC (N / <1) 0.61 / 0.54				VT (N / <1) 0.63 / 0.56			CR 46	
1850	148.294 / Opt 2 (INN Refo KS/LS/S, No Foam): clr / air / clr (DS/DS) 3/4" IG											
	0.118	0.500	0.118					AIR		CL	P1-S	N,G,S
	U-Factor 0.44			SHGC (N / <1) 0.59 / 0.53				VT (N / <1) 0.62 / 0.56			CR 45	
1851	148.294 / Opt 2 (INN Refo KS/LS/S, No Foam): clr / air / clr (5mm/DS) 3/4" IG											
	0.185	0.438	0.118					AIR		CL	P1-S	N,G,S
	U-Factor 0.45			SHGC (N / <1) 0.57 / 0.51				VT (N / <1) 0.62 / 0.55			CR 45	
1852	148.294 / Opt 2 (INN Refo KS/LS/S, No Foam): clr / air / clr (5mm/DS) 3/4" IG											
	0.185	0.438	0.118					AIR		CL	P1-S	G
	U-Factor 0.45			SHGC (<1) 0.51				VT (<1) 0.55			CR 45	
1853	148.294 / Opt 2 (INN Refo KS/LS/S, No Foam): lami / air / clr (DS 090 DS/DS) 3/4" IG											
	0.264	0.345	0.118					AIR		CL	P1-S	N,S
	U-Factor 0.46			SHGC (N / <1) 0.55 / 0.49				VT (N / <1) 0.61 / 0.55			CR 44	
	148.294 / Opt 2 (INN Refo KS/LS/S, No Foam): clr / air / lami (DS/DS 090 DS) 3/4" IG											
	0.118	0.345	0.264					AIR		CL	P1-S	N,S
	U-Factor 0.46			SHGC (N / <1) 0.57 / 0.51				VT (N / <1) 0.61 / 0.55			CR 44	
1854	148.294 / Opt 2 (INN Refo KS/LS/S, No Foam): lami / air / clr (DS 090 DS/DS) 3/4" IG											
	0.264	0.345	0.118					AIR		CL	P1-S	G,S
	U-Factor 0.46			SHGC (<1) 0.49				VT (<1) 0.55			CR 44	
	148.294 / Opt 2 (INN Refo KS/LS/S, No Foam): clr / air / lami (DS/DS 090 DS) 3/4" IG											
	0.118	0.345	0.264					AIR		CL	P1-S	G,S
	U-Factor 0.46			SHGC (<1) 0.51				VT (<1) 0.55			CR 44	

**NFRC 100/200/500 Summary Sheet
Windgate/Belmont/Hawthorne 2-Lite Slider**

ID	Pane Thickness 1	Gap Width 1	Pane Thickness 2	Gap Width 2	Pane Thickness 3	Gap Width 3	Pane Thickness 4	Gap Fill	Low-e (Surface#)	Tint	Spacer	Grid Type
	U-Factor			Solar Heat Gain Coefficient (SHGC) Grids (None / <1 / >=1)				Visible Transmittance (VT) Grids (None / <1 / >=1)			Condensation Resistance	
1855	148.294 / Opt 2 (INN Refo KS/LS/S, No Foam): clr / air / clr / air / clr (SS/SS/SS) 3/4" IG (P1-S)											
	0.087	0.250	0.087	0.250	0.087			AIR		CL	P1-S	N,S
	U-Factor 0.36			SHGC (N / <1) 0.55 / 0.49				VT (N / <1) 0.58 / 0.52			CR 53	
1856	148.294 / Opt 2 (INN Refo KS/LS/S, No Foam): clr / air / clr / air / clr (SS/SS/SS) 3/4" IG (P1-S)											
	0.087	0.250	0.087	0.250	0.087			AIR		CL	P1-S	G,S
	U-Factor 0.37			SHGC (<1) 0.49				VT (<1) 0.52			CR 53	
1857	148.294 / Opt 2 (INN Refo KS/LS/S, No Foam): E270 / air / clr (SS/SS) 3/4" IG											
	0.087	0.563	0.087					AIR	0.037(#2)	CL	P1-S	N,G,S
	U-Factor 0.30			SHGC (N / <1) 0.29 / 0.26				VT (N / <1) 0.54 / 0.48			CR 59	
	148.294 / Opt 2 (INN Refo KS/LS/S, No Foam): clr / air / E270 (SS/SS) 3/4" IG											
	0.087	0.563	0.087					AIR	0.037(#3)	CL	P1-S	N,G,S
	U-Factor 0.30			SHGC (N / <1) 0.35 / 0.32				VT (N / <1) 0.54 / 0.48			CR 59	
1858	148.294 / Opt 2 (INN Refo KS/LS/S, No Foam): E270 / arg / clr (SS/SS) 3/4" IG											
	0.087	0.563	0.087					ARG90	0.037(#2)	CL	P1-S	N,G,S
	U-Factor 0.27			SHGC (N / <1) 0.28 / 0.26				VT (N / <1) 0.54 / 0.48			CR 62	
	148.294 / Opt 2 (INN Refo KS/LS/S, No Foam): clr / arg / E270 (SS/SS) 3/4" IG											
	0.087	0.563	0.087					ARG90	0.037(#3)	CL	P1-S	N,G,S
	U-Factor 0.27			SHGC (N / <1) 0.36 / 0.32				VT (N / <1) 0.54 / 0.48			CR 62	
1859	148.294 / Opt 2 (INN Refo KS/LS/S, No Foam): E270 / air / clr (DS/DS) 3/4" IG											
	0.118	0.500	0.118					AIR	0.037(#2)	CL	P1-S	N,G,S
	U-Factor 0.30			SHGC (N / <1) 0.29 / 0.26				VT (N / <1) 0.53 / 0.47			CR 58	
	148.294 / Opt 2 (INN Refo KS/LS/S, No Foam): clr / air / E270 (DS/DS) 3/4" IG											
	0.118	0.500	0.118					AIR	0.037(#3)	CL	P1-S	N,G,S
	U-Factor 0.30			SHGC (N / <1) 0.35 / 0.31				VT (N / <1) 0.53 / 0.47			CR 58	
1860	148.294 / Opt 2 (INN Refo KS/LS/S, No Foam): E270 / arg / clr (DS/DS) 3/4" IG											
	0.118	0.500	0.118					ARG90	0.037(#2)	CL	P1-S	N,G,S
	U-Factor 0.27			SHGC (N / <1) 0.28 / 0.25				VT (N / <1) 0.53 / 0.47			CR 61	
	148.294 / Opt 2 (INN Refo KS/LS/S, No Foam): clr / arg / E270 (DS/DS) 3/4" IG											
	0.118	0.500	0.118					ARG90	0.037(#3)	CL	P1-S	N,G,S
	U-Factor 0.27			SHGC (N / <1) 0.35 / 0.32				VT (N / <1) 0.53 / 0.47			CR 61	

NFRC 100/200/500 Summary Sheet
Windgate/Belmont/Hawthorne 2-Lite Slider

ID	Pane Thickness 1	Gap Width 1	Pane Thickness 2	Gap Width 2	Pane Thickness 3	Gap Width 3	Pane Thickness 4	Gap Fill	Low-e (Surface#)	Tint	Spacer	Grid Type
	U-Factor			Solar Heat Gain Coefficient (SHGC) Grids (None / <1 / >=1)				Visible Transmittance (VT) Grids (None / <1 / >=1)			Condensation Resistance	
1861	148.294 / Opt 2 (INN Refo KS/LS/S, No Foam): lami / arg / E270 (DS 090 DS/DS) 3/4" IG											
	0.264	0.345	0.118					ARG90	0.037(#3)	CL	P1-S	N,S
	U-Factor 0.29			SHGC (N / <1) 0.33 / 0.30				VT (N / <1) 0.52 / 0.47			CR	59
	148.294 / Opt 2 (INN Refo KS/LS/S, No Foam): E270 / arg / lami (DS/DS 090 DS) 3/4" IG											
	0.118	0.345	0.264					ARG90	0.037(#2)	CL	P1-S	N,S
	U-Factor 0.29			SHGC (N / <1) 0.28 / 0.25				VT (N / <1) 0.52 / 0.47			CR	59
1862	148.294 / Opt 2 (INN Refo KS/LS/S, No Foam): lami / arg / E270 (DS 090 DS/DS) 3/4" IG											
	0.264	0.345	0.118					ARG90	0.037(#3)	CL	P1-S	G,S
	U-Factor 0.30			SHGC (<1) 0.30				VT (<1) 0.47			CR	59
	148.294 / Opt 2 (INN Refo KS/LS/S, No Foam): E270 / arg / lami (DS/DS 090 DS) 3/4" IG											
	0.118	0.345	0.264					ARG90	0.037(#2)	CL	P1-S	G,S
	U-Factor 0.30			SHGC (<1) 0.25				VT (<1) 0.47			CR	59
1863	148.294 / Opt 2 (INN Refo KS/LS/S, No Foam): E270 / arg / clr / arg / E270 (SS/SS/SS) 3/4" IG (P1-S)											
	0.087	0.250	0.087	0.250	0.087			ARG90	0.037(#2) / 0.037(#5)	CL	P1-S	N,S
	U-Factor 0.23			SHGC (N / <1) 0.24 / 0.22				VT (N / <1) 0.42 / 0.37			CR	68
1864	148.294 / Opt 2 (INN Refo KS/LS/S, No Foam): E270 / arg / clr / arg / E270 (SS/SS/SS) 3/4" IG (P1-S)											
	0.087	0.250	0.087	0.250	0.087			ARG90	0.037(#2) / 0.037(#5)	CL	P1-S	G,S
	U-Factor 0.24			SHGC (<1) 0.22				VT (<1) 0.37			CR	68
1865	148.294 / Opt 2 (INN Refo KS/LS/S, No Foam): E366 / air / clr (SS/SS) 3/4" IG											
	0.087	0.563	0.087					AIR	0.022(#2)	CL	P1-S	N,G,S
	U-Factor 0.30			SHGC (N / <1) 0.21 / 0.19				VT (N / <1) 0.50 / 0.44			CR	59
	148.294 / Opt 2 (INN Refo KS/LS/S, No Foam): clr / air / E366 (SS/SS) 3/4" IG											
	0.087	0.563	0.087					AIR	0.022(#3)	CL	P1-S	N,G,S
	U-Factor 0.30			SHGC (N / <1) 0.30 / 0.27				VT (N / <1) 0.50 / 0.44			CR	59
1866	148.294 / Opt 2 (INN Refo KS/LS/S, No Foam): E366 / arg / clr (SS/SS) 3/4" IG											
	0.087	0.563	0.087					ARG90	0.022(#2)	CL	P1-S	N,G,S
	U-Factor 0.27			SHGC (N / <1) 0.21 / 0.19				VT (N / <1) 0.50 / 0.44			CR	63
	148.294 / Opt 2 (INN Refo KS/LS/S, No Foam): clr / arg / E366 (SS/SS) 3/4" IG											
	0.087	0.563	0.087					ARG90	0.022(#3)	CL	P1-S	N,G,S
	U-Factor 0.27			SHGC (N / <1) 0.30 / 0.27				VT (N / <1) 0.50 / 0.44			CR	63

**NFRC 100/200/500 Summary Sheet
Windgate/Belmont/Hawthorne 2-Lite Slider**

ID	Pane Thickness 1	Gap Width 1	Pane Thickness 2	Gap Width 2	Pane Thickness 3	Gap Width 3	Pane Thickness 4	Gap Fill	Low-e (Surface#)	Tint	Spacer	Grid Type
	U-Factor			Solar Heat Gain Coefficient (SHGC) Grids (None / <1 / >=1)				Visible Transmittance (VT) Grids (None / <1 / >=1)			Condensation Resistance	
1867	148.294 / Opt 2 (INN Refo KS/LS/S, No Foam): E366 / air / clr (DS/DS) 3/4" IG											
	0.117	0.500	0.118					AIR	0.022(#2)	CL	P1-S	N,G,S
	U-Factor 0.30			SHGC (N / <1) 0.21 / 0.19				VT (N / <1) 0.49 / 0.44			CR	58
	148.294 / Opt 2 (INN Refo KS/LS/S, No Foam): clr / air / E366 (DS/DS) 3/4" IG											
	0.118	0.500	0.117					AIR	0.022(#3)	CL	P1-S	N,G,S
	U-Factor 0.30			SHGC (N / <1) 0.29 / 0.27				VT (N / <1) 0.49 / 0.44			CR	58
1868	148.294 / Opt 2 (INN Refo KS/LS/S, No Foam): E366 / arg / clr (DS/DS) 3/4" IG											
	0.117	0.500	0.118					ARG90	0.022(#2)	CL	P1-S	N,G,S
	U-Factor 0.26			SHGC (N / <1) 0.21 / 0.19				VT (N / <1) 0.49 / 0.44			CR	62
	148.294 / Opt 2 (INN Refo KS/LS/S, No Foam): clr / arg / E366 (DS/DS) 3/4" IG											
	0.118	0.500	0.117					ARG90	0.022(#3)	CL	P1-S	N,G,S
	U-Factor 0.26			SHGC (N / <1) 0.30 / 0.27				VT (N / <1) 0.49 / 0.44			CR	62
1869	148.294 / Opt 2 (INN Refo KS/LS/S, No Foam): lami / arg / E366 (DS 090 DS/DS) 3/4" IG											
	0.264	0.345	0.117					ARG90	0.022(#3)	CL	P1-S	N,S
	U-Factor 0.28			SHGC (N / <1) 0.29 / 0.26				VT (N / <1) 0.48 / 0.43			CR	60
	148.294 / Opt 2 (INN Refo KS/LS/S, No Foam): E366 / arg / lami (DS/DS 090 DS) 3/4" IG											
	0.117	0.345	0.264					ARG90	0.022(#2)	CL	P1-S	N,S
	U-Factor 0.28			SHGC (N / <1) 0.21 / 0.19				VT (N / <1) 0.48 / 0.43			CR	60
1870	148.294 / Opt 2 (INN Refo KS/LS/S, No Foam): lami / arg / E366 (DS 090 DS/DS) 3/4" IG											
	0.264	0.345	0.117					ARG90	0.022(#3)	CL	P1-S	G,S
	U-Factor 0.30			SHGC (<1) 0.26				VT (<1) 0.43			CR	60
	148.294 / Opt 2 (INN Refo KS/LS/S, No Foam): E366 / arg / lami (DS/DS 090 DS) 3/4" IG											
	0.117	0.345	0.264					ARG90	0.022(#2)	CL	P1-S	G,S
	U-Factor 0.30			SHGC (<1) 0.19				VT (<1) 0.43			CR	60
1871	148.294 / Opt 2 (INN Refo KS/LS/S, No Foam): E366 / arg / clr / arg / E366 (SS/SS/SS) 3/4" IG (P1-S)											
	0.087	0.250	0.087	0.250	0.087			ARG90	0.022(#2) / 0.022(#5)	CL	P1-S	N,S
	U-Factor 0.23			SHGC (N / <1) 0.19 / 0.17				VT (N / <1) 0.36 / 0.32			CR	68
1872	148.294 / Opt 2 (INN Refo KS/LS/S, No Foam): E366 / arg / clr / arg / E366 (SS/SS/SS) 3/4" IG (P1-S)											
	0.087	0.250	0.087	0.250	0.087			ARG90	0.022(#2) / 0.022(#5)	CL	P1-S	G,S
	U-Factor 0.24			SHGC (<1) 0.17				VT (<1) 0.32			CR	68

**NFRC 100/200/500 Summary Sheet
Windgate/Belmont/Hawthorne 2-Lite Slider**

ID	Pane Thickness 1	Gap Width 1	Pane Thickness 2	Gap Width 2	Pane Thickness 3	Gap Width 3	Pane Thickness 4	Gap Fill	Low-e (Surface#)	Tint	Spacer	Grid Type
	U-Factor			Solar Heat Gain Coefficient (SHGC) Grids (None / <1 / >=1)				Visible Transmittance (VT) Grids (None / <1 / >=1)			Condensation Resistance	
1873	148.294 / Opt 2 (INN Refo KS/LS/S, No Foam): 70/36 / air / clr (SS/SS) 3/4" IG											
	0.090	0.563	0.090					AIR	0.036(#2)	CL	P1-S	N,G,S
	U-Factor 0.30			SHGC (N / <1) 0.30 / 0.27				VT (N / <1) 0.54 / 0.48			CR	59
	148.294 / Opt 2 (INN Refo KS/LS/S, No Foam): clr / air / 70/36 (SS/SS) 3/4" IG											
	0.090	0.563	0.090					AIR	0.036(#3)	CL	P1-S	N,G,S
	U-Factor 0.30			SHGC (N / <1) 0.37 / 0.33				VT (N / <1) 0.54 / 0.48			CR	59
1874	148.294 / Opt 2 (INN Refo KS/LS/S, No Foam): 70/36 / arg / clr (SS/SS) 3/4" IG											
	0.090	0.563	0.090					ARG90	0.036(#2)	CL	P1-S	N,G,S
	U-Factor 0.27			SHGC (N / <1) 0.30 / 0.27				VT (N / <1) 0.54 / 0.48			CR	62
	148.294 / Opt 2 (INN Refo KS/LS/S, No Foam): clr / arg / 70/36 (SS/SS) 3/4" IG											
	0.090	0.563	0.090					ARG90	0.036(#3)	CL	P1-S	N,G,S
	U-Factor 0.27			SHGC (N / <1) 0.38 / 0.34				VT (N / <1) 0.54 / 0.48			CR	62
1875	148.294 / Opt 2 (INN Refo KS/LS/S, No Foam): 70/36 / air / clr (DS/DS) 3/4" IG											
	0.117	0.500	0.117					AIR	0.036(#2)	CL	P1-S	N,G,S
	U-Factor 0.30			SHGC (N / <1) 0.30 / 0.27				VT (N / <1) 0.53 / 0.47			CR	58
	148.294 / Opt 2 (INN Refo KS/LS/S, No Foam): clr / air / 70/36 (DS/DS) 3/4" IG											
	0.117	0.500	0.117					AIR	0.036(#3)	CL	P1-S	N,G,S
	U-Factor 0.30			SHGC (N / <1) 0.37 / 0.33				VT (N / <1) 0.53 / 0.47			CR	58
1876	148.294 / Opt 2 (INN Refo KS/LS/S, No Foam): 70/36 / arg / clr (DS/DS) 3/4" IG											
	0.117	0.500	0.117					ARG90	0.036(#2)	CL	P1-S	N,G,S
	U-Factor 0.27			SHGC (N / <1) 0.29 / 0.27				VT (N / <1) 0.53 / 0.47			CR	62
	148.294 / Opt 2 (INN Refo KS/LS/S, No Foam): clr / arg / 70/36 (DS/DS) 3/4" IG											
	0.117	0.500	0.117					ARG90	0.036(#3)	CL	P1-S	N,G,S
	U-Factor 0.27			SHGC (N / <1) 0.37 / 0.33				VT (N / <1) 0.53 / 0.47			CR	62
1877	148.294 / Opt 2 (INN Refo KS/LS/S, No Foam): lami / arg / 70/36 (DS 090 DS/DS) 3/4" IG											
	0.264	0.345	0.117					ARG90	0.036(#3)	CL	P1-S	N,S
	U-Factor 0.29			SHGC (N / <1) 0.35 / 0.32				VT (N / <1) 0.52 / 0.47			CR	59
	148.294 / Opt 2 (INN Refo KS/LS/S, No Foam): 70/36 / arg / lami (DS/DS 090 DS) 3/4" IG											
	0.117	0.345	0.264					ARG90	0.036(#2)	CL	P1-S	N,S
	U-Factor 0.29			SHGC (N / <1) 0.29 / 0.26				VT (N / <1) 0.52 / 0.47			CR	59

NFRC 100/200/500 Summary Sheet
Windgate/Belmont/Hawthorne 2-Lite Slider

ID	Pane Thickness 1	Gap Width 1	Pane Thickness 2	Gap Width 2	Pane Thickness 3	Gap Width 3	Pane Thickness 4	Gap Fill	Low-e (Surface#)	Tint	Spacer	Grid Type
	U-Factor			Solar Heat Gain Coefficient (SHGC) Grids (None / <1 / >=1)				Visible Transmittance (VT) Grids (None / <1 / >=1)			Condensation Resistance	
1878	148.294 / Opt 2 (INN Refo KS/LS/S, No Foam): lami / arg / 70/36 (DS 090 DS/DS) 3/4" IG											
	0.264	0.345	0.117					ARG90	0.036(#3)	CL	P1-S	G,S
	U-Factor 0.30			SHGC (<1) 0.32				VT (<1) 0.47			CR 59	
	148.294 / Opt 2 (INN Refo KS/LS/S, No Foam): 70/36 / arg / lami (DS/DS 090 DS) 3/4" IG											
	0.117	0.345	0.264					ARG90	0.036(#2)	CL	P1-S	G,S
	U-Factor 0.30			SHGC (<1) 0.26				VT (<1) 0.47			CR 59	
1879	148.294 / Opt 2 (INN Refo KS/LS/S, No Foam): 70/36 / arg / clr / arg / 70/36 (SS/SS/SS) 3/4" IG											
	0.090	0.250	0.090	0.250	0.090			ARG90	0.036(#2) / 0.036(#5)	CL	P1-S	N,S
	U-Factor 0.23			SHGC (N / <1) 0.26 / 0.23				VT (N / <1) 0.42 / 0.37			CR 68	
1880	148.294 / Opt 2 (INN Refo KS/LS/S, No Foam): 70/36 / arg / clr / arg / 70/36 (SS/SS/SS) 3/4" IG											
	0.090	0.250	0.090	0.250	0.090			ARG90	0.036(#2) / 0.036(#5)	CL	P1-S	G,S
	U-Factor 0.24			SHGC (<1) 0.23				VT (<1) 0.37			CR 68	
1881	148.294 / Opt 2 (INN Refo KS/LS/S, No Foam): 80/70 / air / clr (SS/SS) 3/4" IG											
	0.090	0.563	0.090					AIR	0.095(#2)	CL	P1-S	N,G,S
	U-Factor 0.32			SHGC (N / <1) 0.51 / 0.46				VT (N / <1) 0.62 / 0.55			CR 57	
	148.294 / Opt 2 (INN Refo KS/LS/S, No Foam): clr / air / 80/70 (SS/SS) 3/4" IG											
	0.090	0.563	0.090					AIR	0.095(#3)	CL	P1-S	N,G,S
	U-Factor 0.32			SHGC (N / <1) 0.54 / 0.49				VT (N / <1) 0.62 / 0.55			CR 57	
1882	148.294 / Opt 2 (INN Refo KS/LS/S, No Foam): 80/70 / arg / clr (SS/SS) 3/4" IG											
	0.090	0.563	0.090					ARG90	0.095(#2)	CL	P1-S	N,G,S
	U-Factor 0.29			SHGC (N / <1) 0.51 / 0.46				VT (N / <1) 0.62 / 0.55			CR 61	
	148.294 / Opt 2 (INN Refo KS/LS/S, No Foam): clr / arg / 80/70 (SS/SS) 3/4" IG											
	0.090	0.563	0.090					ARG90	0.095(#3)	CL	P1-S	N,G,S
	U-Factor 0.29			SHGC (N / <1) 0.54 / 0.49				VT (N / <1) 0.62 / 0.55			CR 61	
1883	148.294 / Opt 2 (INN Refo KS/LS/S, No Foam): 80/70 / air / clr (DS/DS) 3/4" IG											
	0.117	0.500	0.117					AIR	0.095(#2)	CL	P1-S	N,G,S
	U-Factor 0.32			SHGC (N / <1) 0.51 / 0.45				VT (N / <1) 0.61 / 0.55			CR 56	
	148.294 / Opt 2 (INN Refo KS/LS/S, No Foam): clr / air / 80/70 (DS/DS) 3/4" IG											
	0.117	0.500	0.117					AIR	0.095(#3)	CL	P1-S	N,G,S
	U-Factor 0.32			SHGC (N / <1) 0.53 / 0.48				VT (N / <1) 0.61 / 0.55			CR 56	

**NFRC 100/200/500 Summary Sheet
Windgate/Belmont/Hawthorne 2-Lite Slider**

ID	Pane Thickness 1	Gap Width 1	Pane Thickness 2	Gap Width 2	Pane Thickness 3	Gap Width 3	Pane Thickness 4	Gap Fill	Low-e (Surface#)	Tint	Spacer	Grid Type
	U-Factor			Solar Heat Gain Coefficient (SHGC) Grids (None / <1 / >=1)				Visible Transmittance (VT) Grids (None / <1 / >=1)			Condensation Resistance	
1884	148.294 / Opt 2 (INN Refo KS/LS/S, No Foam): 80/70 / arg / clr (DS/DS) 3/4" IG											
	0.117	0.500	0.117					ARG90	0.095(#2)	CL	P1-S	N,G,S
	U-Factor 0.28			SHGC (N / <1) 0.51 / 0.45				VT (N / <1) 0.61 / 0.55			CR 60	
	148.294 / Opt 2 (INN Refo KS/LS/S, No Foam): clr / arg / 80/70 (DS/DS) 3/4" IG											
	0.117	0.500	0.117					ARG90	0.095(#3)	CL	P1-S	N,G,S
	U-Factor 0.28			SHGC (N / <1) 0.54 / 0.48				VT (N / <1) 0.61 / 0.55			CR 60	
1885	148.294 / Opt 2 (INN Refo KS/LS/S, No Foam): lami / arg / 80/70 (DS 090 DS/DS) 3/4" IG											
	0.264	0.345	0.117					ARG90	0.095(#3)	CL	P1-S	N,S
	U-Factor 0.30			SHGC (N / <1) 0.49 / 0.44				VT (N / <1) 0.60 / 0.54			CR 58	
	148.294 / Opt 2 (INN Refo KS/LS/S, No Foam): 80/70 / arg / lami (DS/DS 090 DS) 3/4" IG											
	0.117	0.345	0.264					ARG90	0.095(#2)	CL	P1-S	N,S
	U-Factor 0.30			SHGC (N / <1) 0.50 / 0.45				VT (N / <1) 0.60 / 0.54			CR 58	
1886	148.294 / Opt 2 (INN Refo KS/LS/S, No Foam): lami / arg / 80/70 (DS 090 DS/DS) 3/4" IG											
	0.264	0.345	0.117					ARG90	0.095(#3)	CL	P1-S	G,S
	U-Factor 0.32			SHGC (<1) 0.44				VT (<1) 0.54			CR 58	
	148.294 / Opt 2 (INN Refo KS/LS/S, No Foam): 80/70 / arg / lami (DS/DS 090 DS) 3/4" IG											
	0.117	0.345	0.264					ARG90	0.095(#2)	CL	P1-S	G,S
	U-Factor 0.32			SHGC (<1) 0.45				VT (<1) 0.54			CR 58	
1887	148.294 / Opt 2 (INN Refo KS/LS/S, No Foam): 80/70 / arg / clr / arg / 80/70 (SS/SS/SS) 3/4" IG											
	0.090	0.250	0.090	0.250	0.090			ARG90	0.095(#2) / 0.095(#5)	CL	P1-S	N,S
	U-Factor 0.24			SHGC (N / <1) 0.45 / 0.41				VT (N / <1) 0.56 / 0.50			CR 66	
1888	148.294 / Opt 2 (INN Refo KS/LS/S, No Foam): 80/70 / arg / clr / arg / 80/70 (SS/SS/SS) 3/4" IG											
	0.090	0.250	0.090	0.250	0.090			ARG90	0.095(#2) / 0.095(#5)	CL	P1-S	G,S
	U-Factor 0.25			SHGC (<1) 0.41				VT (<1) 0.50			CR 66	
1889	148.294 / Opt 2 (INN Refo KS/LS/S, No Foam): clr / air / clr (SS/SS) 3/4" IG											
	0.087	0.563	0.087					AIR		CL	SS-D	N,G,S
	U-Factor 0.45			SHGC (N / <1) 0.61 / 0.54				VT (N / <1) 0.63 / 0.56			CR 44	
1890	148.294 / Opt 2 (INN Refo KS/LS/S, No Foam): clr / air / clr (DS/DS) 3/4" IG											
	0.118	0.500	0.118					AIR		CL	SS-D	N,G,S
	U-Factor 0.45			SHGC (N / <1) 0.59 / 0.53				VT (N / <1) 0.62 / 0.56			CR 44	

NFRC 100/200/500 Summary Sheet
Windgate/Belmont/Hawthorne 2-Lite Slider

ID	Pane Thickness 1	Gap Width 1	Pane Thickness 2	Gap Width 2	Pane Thickness 3	Gap Width 3	Pane Thickness 4	Gap Fill	Low-e (Surface#)	Tint	Spacer	Grid Type
	U-Factor			Solar Heat Gain Coefficient (SHGC) Grids (None / <1 / >=1)				Visible Transmittance (VT) Grids (None / <1 / >=1)			Condensation Resistance	
1891	148.294 / Opt 2 (INN Refo KS/LS/S, No Foam): clr / air / clr (5mm/DS) 3/4" IG											
	0.185	0.438	0.118					AIR		CL	SS-D	N,G,S
	U-Factor 0.45			SHGC (N / <1) 0.57 / 0.51				VT (N / <1) 0.62 / 0.55			CR 44	
1892	148.294 / Opt 2 (INN Refo KS/LS/S, No Foam): clr / air / clr (5mm/DS) 3/4" IG											
	0.185	0.438	0.118					AIR		CL	SS-D	G
	U-Factor 0.45			SHGC (<1) 0.51				VT (<1) 0.55			CR 44	
1893	148.294 / Opt 2 (INN Refo KS/LS/S, No Foam): lami / air / clr (DS 090 DS/DS) 3/4" IG											
	0.264	0.345	0.118					AIR		CL	SS-D	N,S
	U-Factor 0.46			SHGC (N / <1) 0.55 / 0.49				VT (N / <1) 0.61 / 0.55			CR 42	
	148.294 / Opt 2 (INN Refo KS/LS/S, No Foam): clr / air / lami (DS/DS 090 DS) 3/4" IG											
	0.118	0.345	0.264					AIR		CL	SS-D	N,S
	U-Factor 0.46			SHGC (N / <1) 0.57 / 0.51				VT (N / <1) 0.61 / 0.55			CR 42	
1894	148.294 / Opt 2 (INN Refo KS/LS/S, No Foam): lami / air / clr (DS 090 DS/DS) 3/4" IG											
	0.264	0.345	0.118					AIR		CL	SS-D	G,S
	U-Factor 0.47			SHGC (<1) 0.49				VT (<1) 0.55			CR 42	
	148.294 / Opt 2 (INN Refo KS/LS/S, No Foam): clr / air / lami (DS/DS 090 DS) 3/4" IG											
	0.118	0.345	0.264					AIR		CL	SS-D	G,S
	U-Factor 0.47			SHGC (<1) 0.51				VT (<1) 0.55			CR 42	
1895	148.294 / Opt 2 (INN Refo KS/LS/S, No Foam): clr / air / clr / air / clr (SS/SS/SS) 3/4" IG (P1-S)											
	0.087	0.250	0.087	0.250	0.087			AIR		CL	SS-D	N,S
	U-Factor 0.37			SHGC (N / <1) 0.55 / 0.49				VT (N / <1) 0.58 / 0.52			CR 52	
1896	148.294 / Opt 2 (INN Refo KS/LS/S, No Foam): clr / air / clr / air / clr (SS/SS/SS) 3/4" IG (P1-S)											
	0.087	0.250	0.087	0.250	0.087			AIR		CL	SS-D	G,S
	U-Factor 0.38			SHGC (<1) 0.49				VT (<1) 0.52			CR 52	
1897	148.294 / Opt 2 (INN Refo KS/LS/S, No Foam): E270 / air / clr (SS/SS) 3/4" IG											
	0.087	0.563	0.087					AIR	0.037(#2)	CL	SS-D	N,G,S
	U-Factor 0.31			SHGC (N / <1) 0.29 / 0.26				VT (N / <1) 0.54 / 0.48			CR 56	
	148.294 / Opt 2 (INN Refo KS/LS/S, No Foam): clr / air / E270 (SS/SS) 3/4" IG											
	0.087	0.563	0.087					AIR	0.037(#3)	CL	SS-D	N,G,S
	U-Factor 0.31			SHGC (N / <1) 0.35 / 0.32				VT (N / <1) 0.54 / 0.48			CR 56	

**NFRC 100/200/500 Summary Sheet
Windgate/Belmont/Hawthorne 2-Lite Slider**

ID	Pane Thickness 1	Gap Width 1	Pane Thickness 2	Gap Width 2	Pane Thickness 3	Gap Width 3	Pane Thickness 4	Gap Fill	Low-e (Surface#)	Tint	Spacer	Grid Type
	U-Factor			Solar Heat Gain Coefficient (SHGC) Grids (None / <1 / >=1)				Visible Transmittance (VT) Grids (None / <1 / >=1)			Condensation Resistance	
1898	148.294 / Opt 2 (INN Refo KS/LS/S, No Foam): E270 / arg / clr (SS/SS) 3/4" IG											
	0.087	0.563	0.087					ARG90	0.037(#2)	CL	SS-D	N,G,S
	U-Factor 0.28			SHGC (N / <1) 0.28 / 0.26				VT (N / <1) 0.54 / 0.48			CR 59	
	148.294 / Opt 2 (INN Refo KS/LS/S, No Foam): clr / arg / E270 (SS/SS) 3/4" IG											
	0.087	0.563	0.087					ARG90	0.037(#3)	CL	SS-D	N,G,S
	U-Factor 0.28			SHGC (N / <1) 0.36 / 0.32				VT (N / <1) 0.54 / 0.48			CR 59	
1899	148.294 / Opt 2 (INN Refo KS/LS/S, No Foam): E270 / air / clr (DS/DS) 3/4" IG											
	0.118	0.500	0.118					AIR	0.037(#2)	CL	SS-D	N,G,S
	U-Factor 0.31			SHGC (N / <1) 0.29 / 0.26				VT (N / <1) 0.53 / 0.47			CR 55	
	148.294 / Opt 2 (INN Refo KS/LS/S, No Foam): clr / air / E270 (DS/DS) 3/4" IG											
	0.118	0.500	0.118					AIR	0.037(#3)	CL	SS-D	N,G,S
	U-Factor 0.31			SHGC (N / <1) 0.35 / 0.31				VT (N / <1) 0.53 / 0.47			CR 55	
1900	148.294 / Opt 2 (INN Refo KS/LS/S, No Foam): E270 / arg / clr (DS/DS) 3/4" IG											
	0.118	0.500	0.118					ARG90	0.037(#2)	CL	SS-D	N,G,S
	U-Factor 0.28			SHGC (N / <1) 0.28 / 0.25				VT (N / <1) 0.53 / 0.47			CR 58	
	148.294 / Opt 2 (INN Refo KS/LS/S, No Foam): clr / arg / E270 (DS/DS) 3/4" IG											
	0.118	0.500	0.118					ARG90	0.037(#3)	CL	SS-D	N,G,S
	U-Factor 0.28			SHGC (N / <1) 0.35 / 0.32				VT (N / <1) 0.53 / 0.47			CR 58	
1901	148.294 / Opt 2 (INN Refo KS/LS/S, No Foam): lami / arg / E270 (DS 090 DS/DS) 3/4" IG											
	0.264	0.345	0.118					ARG90	0.037(#3)	CL	SS-D	N,S
	U-Factor 0.30			SHGC (N / <1) 0.33 / 0.30				VT (N / <1) 0.52 / 0.47			CR 56	
	148.294 / Opt 2 (INN Refo KS/LS/S, No Foam): E270 / arg / lami (DS/DS 090 DS) 3/4" IG											
	0.118	0.345	0.264					ARG90	0.037(#2)	CL	SS-D	N,S
	U-Factor 0.30			SHGC (N / <1) 0.28 / 0.25				VT (N / <1) 0.52 / 0.47			CR 56	
1902	148.294 / Opt 2 (INN Refo KS/LS/S, No Foam): lami / arg / E270 (DS 090 DS/DS) 3/4" IG											
	0.264	0.345	0.118					ARG90	0.037(#3)	CL	SS-D	G,S
	U-Factor 0.31			SHGC (<1) 0.30				VT (<1) 0.47			CR 56	
	148.294 / Opt 2 (INN Refo KS/LS/S, No Foam): E270 / arg / lami (DS/DS 090 DS) 3/4" IG											
	0.118	0.345	0.264					ARG90	0.037(#2)	CL	SS-D	G,S
	U-Factor 0.31			SHGC (<1) 0.25				VT (<1) 0.47			CR 56	

NFRC 100/200/500 Summary Sheet
Windgate/Belmont/Hawthorne 2-Lite Slider

ID	Pane Thickness 1	Gap Width 1	Pane Thickness 2	Gap Width 2	Pane Thickness 3	Gap Width 3	Pane Thickness 4	Gap Fill	Low-e (Surface#)	Tint	Spacer	Grid Type
	U-Factor			Solar Heat Gain Coefficient (SHGC) Grids (None / <1 / >=1)				Visible Transmittance (VT) Grids (None / <1 / >=1)			Condensation Resistance	
1903	148.294 / Opt 2 (INN Refo KS/LS/S, No Foam): E270 / arg / clr / arg / E270 (SS/SS/SS) 3/4" IG (SS-D)											
	0.087	0.266	0.087	0.266	0.087			ARG90	0.037(#2) / 0.037(#5)	CL	SS-D	N,S
	U-Factor 0.23			SHGC (N / <1) 0.24 / 0.22				VT (N / <1) 0.42 / 0.37			CR 66	
1904	148.294 / Opt 2 (INN Refo KS/LS/S, No Foam): E270 / arg / clr / arg / E270 (SS/SS/SS) 3/4" IG (SS-D)											
	0.087	0.266	0.087	0.266	0.087			ARG90	0.037(#2) / 0.037(#5)	CL	SS-D	G,S
	U-Factor 0.24			SHGC (<1) 0.22				VT (<1) 0.37			CR 66	
1905	148.294 / Opt 2 (INN Refo KS/LS/S, No Foam): E366 / air / clr (SS/SS) 3/4" IG											
	0.087	0.563	0.087					AIR	0.022(#2)	CL	SS-D	N,G,S
	U-Factor 0.31			SHGC (N / <1) 0.21 / 0.19				VT (N / <1) 0.50 / 0.44			CR 56	
	148.294 / Opt 2 (INN Refo KS/LS/S, No Foam): clr / air / E366 (SS/SS) 3/4" IG											
	0.087	0.563	0.087					AIR	0.022(#3)	CL	SS-D	N,G,S
	U-Factor 0.31			SHGC (N / <1) 0.30 / 0.27				VT (N / <1) 0.50 / 0.44			CR 56	
1906	148.294 / Opt 2 (INN Refo KS/LS/S, No Foam): E366 / arg / clr (SS/SS) 3/4" IG											
	0.087	0.563	0.087					ARG90	0.022(#2)	CL	SS-D	N,G,S
	U-Factor 0.28			SHGC (N / <1) 0.21 / 0.19				VT (N / <1) 0.50 / 0.44			CR 59	
	148.294 / Opt 2 (INN Refo KS/LS/S, No Foam): clr / arg / E366 (SS/SS) 3/4" IG											
	0.087	0.563	0.087					ARG90	0.022(#3)	CL	SS-D	N,G,S
	U-Factor 0.28			SHGC (N / <1) 0.30 / 0.27				VT (N / <1) 0.50 / 0.44			CR 59	
1907	148.294 / Opt 2 (INN Refo KS/LS/S, No Foam): E366 / air / clr (DS/DS) 3/4" IG											
	0.117	0.500	0.118					AIR	0.022(#2)	CL	SS-D	N,G,S
	U-Factor 0.31			SHGC (N / <1) 0.21 / 0.19				VT (N / <1) 0.49 / 0.44			CR 55	
	148.294 / Opt 2 (INN Refo KS/LS/S, No Foam): clr / air / E366 (DS/DS) 3/4" IG											
	0.118	0.500	0.117					AIR	0.022(#3)	CL	SS-D	N,G,S
	U-Factor 0.31			SHGC (N / <1) 0.29 / 0.27				VT (N / <1) 0.49 / 0.44			CR 55	
1908	148.294 / Opt 2 (INN Refo KS/LS/S, No Foam): E366 / arg / clr (DS/DS) 3/4" IG											
	0.117	0.500	0.118					ARG90	0.022(#2)	CL	SS-D	N,G,S
	U-Factor 0.27			SHGC (N / <1) 0.21 / 0.19				VT (N / <1) 0.49 / 0.44			CR 59	
	148.294 / Opt 2 (INN Refo KS/LS/S, No Foam): clr / arg / E366 (DS/DS) 3/4" IG											
	0.118	0.500	0.117					ARG90	0.022(#3)	CL	SS-D	N,G,S
	U-Factor 0.27			SHGC (N / <1) 0.30 / 0.27				VT (N / <1) 0.49 / 0.44			CR 59	

**NFRC 100/200/500 Summary Sheet
Windgate/Belmont/Hawthorne 2-Lite Slider**

ID	Pane Thickness 1	Gap Width 1	Pane Thickness 2	Gap Width 2	Pane Thickness 3	Gap Width 3	Pane Thickness 4	Gap Fill	Low-e (Surface#)	Tint	Spacer	Grid Type
	U-Factor			Solar Heat Gain Coefficient (SHGC) Grids (None / <1 / >=1)				Visible Transmittance (VT) Grids (None / <1 / >=1)			Condensation Resistance	
1909	148.294 / Opt 2 (INN Refo KS/LS/S, No Foam): lami / arg / E366 (DS 090 DS/DS) 3/4" IG											
	0.264	0.345	0.117					ARG90	0.022(#3)	CL	SS-D	N,S
	U-Factor 0.29			SHGC (N / <1) 0.29 / 0.26				VT (N / <1) 0.48 / 0.43			CR 56	
	148.294 / Opt 2 (INN Refo KS/LS/S, No Foam): E366 / arg / lami (DS/DS 090 DS) 3/4" IG											
	0.117	0.345	0.264					ARG90	0.022(#2)	CL	SS-D	N,S
	U-Factor 0.29			SHGC (N / <1) 0.21 / 0.19				VT (N / <1) 0.48 / 0.43			CR 56	
1910	148.294 / Opt 2 (INN Refo KS/LS/S, No Foam): lami / arg / E366 (DS 090 DS/DS) 3/4" IG											
	0.264	0.345	0.117					ARG90	0.022(#3)	CL	SS-D	G,S
	U-Factor 0.31			SHGC (<1) 0.26				VT (<1) 0.43			CR 56	
	148.294 / Opt 2 (INN Refo KS/LS/S, No Foam): E366 / arg / lami (DS/DS 090 DS) 3/4" IG											
	0.117	0.345	0.264					ARG90	0.022(#2)	CL	SS-D	G,S
	U-Factor 0.31			SHGC (<1) 0.19				VT (<1) 0.43			CR 56	
1911	148.294 / Opt 2 (INN Refo KS/LS/S, No Foam): E366 / arg / clr / arg / E366 (SS/SS/SS) 3/4" IG (SS-D)											
	0.087	0.266	0.087	0.266	0.087			ARG90	0.022(#2) / 0.022(#5)	CL	SS-D	N,S
	U-Factor 0.23			SHGC (N / <1) 0.19 / 0.17				VT (N / <1) 0.36 / 0.32			CR 66	
1912	148.294 / Opt 2 (INN Refo KS/LS/S, No Foam): E366 / arg / clr / arg / E366 (SS/SS/SS) 3/4" IG (SS-D)											
	0.087	0.266	0.087	0.266	0.087			ARG90	0.022(#2) / 0.022(#5)	CL	SS-D	G,S
	U-Factor 0.24			SHGC (<1) 0.17				VT (<1) 0.32			CR 66	
1913	148.294 / Opt 2 (INN Refo KS/LS/S, No Foam): clr / air / clr (SS/SS) 3/4" IG											
	0.087	0.563	0.087					AIR		CL	TS-D	N,G,S
	U-Factor 0.45			SHGC (N / <1) 0.61 / 0.54				VT (N / <1) 0.63 / 0.56			CR 44	
1914	148.294 / Opt 2 (INN Refo KS/LS/S, No Foam): clr / air / clr (DS/DS) 3/4" IG											
	0.118	0.500	0.118					AIR		CL	TS-D	N,G,S
	U-Factor 0.45			SHGC (N / <1) 0.59 / 0.53				VT (N / <1) 0.62 / 0.56			CR 43	
1915	148.294 / Opt 2 (INN Refo KS/LS/S, No Foam): clr / air / clr (5mm/DS) 3/4" IG											
	0.185	0.438	0.118					AIR		CL	TS-D	N,G,S
	U-Factor 0.46			SHGC (N / <1) 0.57 / 0.51				VT (N / <1) 0.62 / 0.55			CR 43	
1916	148.294 / Opt 2 (INN Refo KS/LS/S, No Foam): clr / air / clr (5mm/DS) 3/4" IG											
	0.185	0.438	0.118					AIR		CL	TS-D	G
	U-Factor 0.46			SHGC (<1) 0.51				VT (<1) 0.55			CR 43	

**NFRC 100/200/500 Summary Sheet
Windgate/Belmont/Hawthorne 2-Lite Slider**

ID	Pane Thickness 1	Gap Width 1	Pane Thickness 2	Gap Width 2	Pane Thickness 3	Gap Width 3	Pane Thickness 4	Gap Fill	Low-e (Surface#)	Tint	Spacer	Grid Type
	U-Factor			Solar Heat Gain Coefficient (SHGC) Grids (None / <1 / >=1)				Visible Transmittance (VT) Grids (None / <1 / >=1)			Condensation Resistance	
1917	148.294 / Opt 2 (INN Refo KS/LS/S, No Foam): lami / air / clr (DS 090 DS/DS) 3/4" IG											
	0.264	0.345	0.118					AIR		CL	TS-D	N,S
	U-Factor 0.47			SHGC (N / <1) 0.55 / 0.49				VT (N / <1) 0.61 / 0.55			CR 42	
	148.294 / Opt 2 (INN Refo KS/LS/S, No Foam): clr / air / lami (DS/DS 090 DS) 3/4" IG											
	0.118	0.345	0.264					AIR		CL	TS-D	N,S
	U-Factor 0.47			SHGC (N / <1) 0.57 / 0.51				VT (N / <1) 0.61 / 0.55			CR 42	
1918	148.294 / Opt 2 (INN Refo KS/LS/S, No Foam): lami / air / clr (DS 090 DS/DS) 3/4" IG											
	0.264	0.345	0.118					AIR		CL	TS-D	G,S
	U-Factor 0.47			SHGC (<1) 0.49				VT (<1) 0.55			CR 42	
	148.294 / Opt 2 (INN Refo KS/LS/S, No Foam): clr / air / lami (DS/DS 090 DS) 3/4" IG											
	0.118	0.345	0.264					AIR		CL	TS-D	G,S
	U-Factor 0.47			SHGC (<1) 0.51				VT (<1) 0.55			CR 42	
1919	148.294 / Opt 2 (INN Refo KS/LS/S, No Foam): clr / air / clr / air / clr (SS/SS/SS) 3/4" IG (P1-S)											
	0.087	0.250	0.087	0.250	0.087			AIR		CL	TS-D	N,S
	U-Factor 0.37			SHGC (N / <1) 0.55 / 0.49				VT (N / <1) 0.58 / 0.52			CR 51	
1920	148.294 / Opt 2 (INN Refo KS/LS/S, No Foam): clr / air / clr / air / clr (SS/SS/SS) 3/4" IG (P1-S)											
	0.087	0.250	0.087	0.250	0.087			AIR		CL	TS-D	G,S
	U-Factor 0.38			SHGC (<1) 0.49				VT (<1) 0.52			CR 51	
1921	148.294 / Opt 2 (INN Refo KS/LS/S, No Foam): 70/36 / air / clr (SS/SS) 3/4" IG											
	0.090	0.563	0.090					AIR	0.036(#2)	CL	TS-D	N,G,S
	U-Factor 0.32			SHGC (N / <1) 0.30 / 0.27				VT (N / <1) 0.54 / 0.48			CR 55	
	148.294 / Opt 2 (INN Refo KS/LS/S, No Foam): clr / air / 70/36 (SS/SS) 3/4" IG											
	0.090	0.563	0.090					AIR	0.036(#3)	CL	TS-D	N,G,S
	U-Factor 0.32			SHGC (N / <1) 0.37 / 0.33				VT (N / <1) 0.54 / 0.48			CR 55	
1922	148.294 / Opt 2 (INN Refo KS/LS/S, No Foam): 70/36 / arg / clr (SS/SS) 3/4" IG											
	0.090	0.563	0.090					ARG90	0.036(#2)	CL	TS-D	N,G,S
	U-Factor 0.28			SHGC (N / <1) 0.30 / 0.27				VT (N / <1) 0.54 / 0.48			CR 58	
	148.294 / Opt 2 (INN Refo KS/LS/S, No Foam): clr / arg / 70/36 (SS/SS) 3/4" IG											
	0.090	0.563	0.090					ARG90	0.036(#3)	CL	TS-D	N,G,S
	U-Factor 0.28			SHGC (N / <1) 0.38 / 0.34				VT (N / <1) 0.54 / 0.48			CR 58	

NFRC 100/200/500 Summary Sheet
Windgate/Belmont/Hawthorne 2-Lite Slider

ID	Pane Thickness 1	Gap Width 1	Pane Thickness 2	Gap Width 2	Pane Thickness 3	Gap Width 3	Pane Thickness 4	Gap Fill	Low-e (Surface#)	Tint	Spacer	Grid Type
	U-Factor			Solar Heat Gain Coefficient (SHGC) Grids (None / <1 / >=1)				Visible Transmittance (VT) Grids (None / <1 / >=1)			Condensation Resistance	
1923	148.294 / Opt 2 (INN Refo KS/LS/S, No Foam): 70/36 / air / clr (DS/DS) 3/4" IG											
	0.117	0.500	0.117					AIR	0.036(#2)	CL	TS-D	N,G,S
	U-Factor 0.31			SHGC (N / <1) 0.30 / 0.27				VT (N / <1) 0.53 / 0.47			CR 53	
	148.294 / Opt 2 (INN Refo KS/LS/S, No Foam): clr / air / 70/36 (DS/DS) 3/4" IG											
	0.117	0.500	0.117					AIR	0.036(#3)	CL	TS-D	N,G,S
	U-Factor 0.31			SHGC (N / <1) 0.37 / 0.33				VT (N / <1) 0.53 / 0.47			CR 53	
1924	148.294 / Opt 2 (INN Refo KS/LS/S, No Foam): 70/36 / arg / clr (DS/DS) 3/4" IG											
	0.117	0.500	0.117					ARG90	0.036(#2)	CL	TS-D	N,G,S
	U-Factor 0.28			SHGC (N / <1) 0.29 / 0.27				VT (N / <1) 0.53 / 0.47			CR 56	
	148.294 / Opt 2 (INN Refo KS/LS/S, No Foam): clr / arg / 70/36 (DS/DS) 3/4" IG											
	0.117	0.500	0.117					ARG90	0.036(#3)	CL	TS-D	N,G,S
	U-Factor 0.28			SHGC (N / <1) 0.37 / 0.33				VT (N / <1) 0.53 / 0.47			CR 56	
1925	148.294 / Opt 2 (INN Refo KS/LS/S, No Foam): lami / arg / 70/36 (DS 090 DS/DS) 3/4" IG											
	0.264	0.345	0.117					ARG90	0.036(#3)	CL	TS-D	N,S
	U-Factor 0.30			SHGC (N / <1) 0.35 / 0.32				VT (N / <1) 0.52 / 0.47			CR 55	
	148.294 / Opt 2 (INN Refo KS/LS/S, No Foam): 70/36 / arg / lami (DS/DS 090 DS) 3/4" IG											
	0.117	0.345	0.264					ARG90	0.036(#2)	CL	TS-D	N,S
	U-Factor 0.30			SHGC (N / <1) 0.29 / 0.26				VT (N / <1) 0.52 / 0.47			CR 55	
1926	148.294 / Opt 2 (INN Refo KS/LS/S, No Foam): lami / arg / 70/36 (DS 090 DS/DS) 3/4" IG											
	0.264	0.345	0.117					ARG90	0.036(#3)	CL	TS-D	G,S
	U-Factor 0.31			SHGC (<1) 0.32				VT (<1) 0.47			CR 55	
	148.294 / Opt 2 (INN Refo KS/LS/S, No Foam): 70/36 / arg / lami (DS/DS 090 DS) 3/4" IG											
	0.117	0.345	0.264					ARG90	0.036(#2)	CL	TS-D	G,S
	U-Factor 0.31			SHGC (<1) 0.26				VT (<1) 0.47			CR 55	
1927	148.294 / Opt 2 (INN Refo KS/LS/S, No Foam): 70/36 / arg / clr / arg / 70/36 (SS/SS/SS) 3/4" IG											
	0.090	0.250	0.090	0.250	0.090			ARG90	0.036(#2) / 0.036(#5)	CL	TS-D	N,S
	U-Factor 0.24			SHGC (N / <1) 0.26 / 0.23				VT (N / <1) 0.42 / 0.37			CR 63	
1928	148.294 / Opt 2 (INN Refo KS/LS/S, No Foam): 70/36 / arg / clr / arg / 70/36 (SS/SS/SS) 3/4" IG											
	0.090	0.250	0.090	0.250	0.090			ARG90	0.036(#2) / 0.036(#5)	CL	TS-D	G,S
	U-Factor 0.25			SHGC (<1) 0.23				VT (<1) 0.37			CR 62	

NFRC 100/200/500 Summary Sheet
Windgate/Belmont/Hawthorne 2-Lite Slider

ID	Pane Thickness 1	Gap Width 1	Pane Thickness 2	Gap Width 2	Pane Thickness 3	Gap Width 3	Pane Thickness 4	Gap Fill	Low-e (Surface#)	Tint	Spacer	Grid Type
	U-Factor			Solar Heat Gain Coefficient (SHGC) Grids (None / <1 / >=1)				Visible Transmittance (VT) Grids (None / <1 / >=1)			Condensation Resistance	
1929	148.294 / Opt 2 (INN Refo KS/LS/S, No Foam): 80/70 / air / clr (SS/SS) 3/4" IG											
	0.090	0.563	0.090					AIR	0.095(#2)	CL	TS-D	N,G,S
	U-Factor 0.33			SHGC (N / <1) 0.51 / 0.46				VT (N / <1) 0.62 / 0.55			CR 53	
	148.294 / Opt 2 (INN Refo KS/LS/S, No Foam): clr / air / 80/70 (SS/SS) 3/4" IG											
	0.090	0.563	0.090					AIR	0.095(#3)	CL	TS-D	N,G,S
	U-Factor 0.33			SHGC (N / <1) 0.54 / 0.49				VT (N / <1) 0.62 / 0.55			CR 53	
1930	148.294 / Opt 2 (INN Refo KS/LS/S, No Foam): 80/70 / arg / clr (SS/SS) 3/4" IG											
	0.090	0.563	0.090					ARG90	0.095(#2)	CL	TS-D	N,G,S
	U-Factor 0.30			SHGC (N / <1) 0.51 / 0.46				VT (N / <1) 0.62 / 0.55			CR 56	
	148.294 / Opt 2 (INN Refo KS/LS/S, No Foam): clr / arg / 80/70 (SS/SS) 3/4" IG											
	0.090	0.563	0.090					ARG90	0.095(#3)	CL	TS-D	N,G,S
	U-Factor 0.30			SHGC (N / <1) 0.54 / 0.49				VT (N / <1) 0.62 / 0.55			CR 56	
1931	148.294 / Opt 2 (INN Refo KS/LS/S, No Foam): 80/70 / air / clr (DS/DS) 3/4" IG											
	0.117	0.500	0.117					AIR	0.095(#2)	CL	TS-D	N,G,S
	U-Factor 0.33			SHGC (N / <1) 0.51 / 0.45				VT (N / <1) 0.61 / 0.55			CR 52	
	148.294 / Opt 2 (INN Refo KS/LS/S, No Foam): clr / air / 80/70 (DS/DS) 3/4" IG											
	0.117	0.500	0.117					AIR	0.095(#3)	CL	TS-D	N,G,S
	U-Factor 0.33			SHGC (N / <1) 0.53 / 0.48				VT (N / <1) 0.61 / 0.55			CR 52	
1932	148.294 / Opt 2 (INN Refo KS/LS/S, No Foam): 80/70 / arg / clr (DS/DS) 3/4" IG											
	0.117	0.500	0.117					ARG90	0.095(#2)	CL	TS-D	N,G,S
	U-Factor 0.30			SHGC (N / <1) 0.51 / 0.45				VT (N / <1) 0.61 / 0.55			CR 55	
	148.294 / Opt 2 (INN Refo KS/LS/S, No Foam): clr / arg / 80/70 (DS/DS) 3/4" IG											
	0.117	0.500	0.117					ARG90	0.095(#3)	CL	TS-D	N,G,S
	U-Factor 0.30			SHGC (N / <1) 0.54 / 0.48				VT (N / <1) 0.61 / 0.55			CR 55	
1933	148.294 / Opt 2 (INN Refo KS/LS/S, No Foam): lami / arg / 80/70 (DS 090 DS/DS) 3/4" IG											
	0.264	0.345	0.117					ARG90	0.095(#3)	CL	TS-D	N,S
	U-Factor 0.31			SHGC (N / <1) 0.49 / 0.44				VT (N / <1) 0.60 / 0.54			CR 54	
	148.294 / Opt 2 (INN Refo KS/LS/S, No Foam): 80/70 / arg / lami (DS/DS 090 DS) 3/4" IG											
	0.117	0.345	0.264					ARG90	0.095(#2)	CL	TS-D	N,S
	U-Factor 0.31			SHGC (N / <1) 0.50 / 0.45				VT (N / <1) 0.60 / 0.54			CR 54	

NFRC 100/200/500 Summary Sheet
Windgate/Belmont/Hawthorne 2-Lite Slider

ID	Pane Thickness 1	Gap Width 1	Pane Thickness 2	Gap Width 2	Pane Thickness 3	Gap Width 3	Pane Thickness 4	Gap Fill	Low-e (Surface#)	Tint	Spacer	Grid Type
	U-Factor			Solar Heat Gain Coefficient (SHGC) Grids (None / <1 / >=1)				Visible Transmittance (VT) Grids (None / <1 / >=1)			Condensation Resistance	
1934	148.294 / Opt 2 (INN Refo KS/LS/S, No Foam): lami / arg / 80/70 (DS 090 DS/DS) 3/4" IG											
	0.264	0.345	0.117					ARG90	0.095(#3)	CL	TS-D	G,S
	U-Factor 0.33			SHGC (<1) 0.44				VT (<1) 0.54			CR	54
	148.294 / Opt 2 (INN Refo KS/LS/S, No Foam): 80/70 / arg / lami (DS/DS 090 DS) 3/4" IG											
	0.117	0.345	0.264					ARG90	0.095(#2)	CL	TS-D	G,S
	U-Factor 0.33			SHGC (<1) 0.45				VT (<1) 0.54			CR	54
1935	148.294 / Opt 2 (INN Refo KS/LS/S, No Foam): 80/70 / arg / clr / arg / 80/70 (SS/SS/SS) 3/4" IG											
	0.090	0.250	0.090	0.250	0.090			ARG90	0.095(#2) / 0.095(#5)	CL	TS-D	N,S
	U-Factor 0.25			SHGC (N / <1) 0.45 / 0.41				VT (N / <1) 0.56 / 0.50			CR	62
1936	148.294 / Opt 2 (INN Refo KS/LS/S, No Foam): 80/70 / arg / clr / arg / 80/70 (SS/SS/SS) 3/4" IG											
	0.090	0.250	0.090	0.250	0.090			ARG90	0.095(#2) / 0.095(#5)	CL	TS-D	G,S
	U-Factor 0.26			SHGC (<1) 0.41				VT (<1) 0.50			CR	62
1937	148.294 / Opt 3 (INN Refo KS/LS, Foam): clr / air / clr (SS/SS) 3/4" IG											
	0.087	0.563	0.087					AIR		CL	P1-S	N,G,S
	U-Factor 0.44			SHGC (N / <1) 0.61 / 0.54				VT (N / <1) 0.63 / 0.56			CR	46
1938	148.294 / Opt 3 (INN Refo KS/LS, Foam): clr / air / clr (DS/DS) 3/4" IG											
	0.118	0.500	0.118					AIR		CL	P1-S	N,G,S
	U-Factor 0.43			SHGC (N / <1) 0.59 / 0.53				VT (N / <1) 0.62 / 0.56			CR	45
1939	148.294 / Opt 3 (INN Refo KS/LS, Foam): clr / air / clr (5mm/DS) 3/4" IG											
	0.185	0.438	0.118					AIR		CL	P1-S	N,G,S
	U-Factor 0.44			SHGC (N / <1) 0.57 / 0.51				VT (N / <1) 0.62 / 0.55			CR	45
1940	148.294 / Opt 3 (INN Refo KS/LS, Foam): clr / air / clr (5mm/DS) 3/4" IG											
	0.185	0.438	0.118					AIR		CL	P1-S	G
	U-Factor 0.44			SHGC (<1) 0.51				VT (<1) 0.55			CR	45
1941	148.294 / Opt 3 (INN Refo KS/LS, Foam): lami / air / clr (DS 090 DS/DS) 3/4" IG											
	0.264	0.345	0.118					AIR		CL	P1-S	N,S
	U-Factor 0.45			SHGC (N / <1) 0.55 / 0.49				VT (N / <1) 0.61 / 0.55			CR	44
	148.294 / Opt 3 (INN Refo KS/LS, Foam): clr / air / lami (DS/DS 090 DS) 3/4" IG											
	0.118	0.345	0.264					AIR		CL	P1-S	N,S
	U-Factor 0.45			SHGC (N / <1) 0.57 / 0.51				VT (N / <1) 0.61 / 0.55			CR	44

NFRC 100/200/500 Summary Sheet
Windgate/Belmont/Hawthorne 2-Lite Slider

ID	Pane Thickness 1	Gap Width 1	Pane Thickness 2	Gap Width 2	Pane Thickness 3	Gap Width 3	Pane Thickness 4	Gap Fill	Low-e (Surface#)	Tint	Spacer	Grid Type
	U-Factor			Solar Heat Gain Coefficient (SHGC) Grids (None / <1 / >=1)				Visible Transmittance (VT) Grids (None / <1 / >=1)			Condensation Resistance	
1942	148.294 / Opt 3 (INN Refo KS/LS, Foam): lami / air / clr (DS 090 DS/DS) 3/4" IG											
	0.264	0.345	0.118					AIR		CL	P1-S	G,S
	U-Factor 0.46			SHGC (<1) 0.49				VT (<1) 0.55			CR 44	
	148.294 / Opt 3 (INN Refo KS/LS, Foam): clr / air / lami (DS/DS 090 DS) 3/4" IG											
	0.118	0.345	0.264					AIR		CL	P1-S	G,S
	U-Factor 0.46			SHGC (<1) 0.51				VT (<1) 0.55			CR 44	
1943	148.294 / Opt 3 (INN Refo KS/LS, Foam): clr / air / clr / air / clr (SS/SS/SS) 3/4" IG (P1-S)											
	0.087	0.250	0.087	0.250	0.087			AIR		CL	P1-S	N,S
	U-Factor 0.36			SHGC (N / <1) 0.55 / 0.49				VT (N / <1) 0.58 / 0.52			CR 53	
1944	148.294 / Opt 3 (INN Refo KS/LS, Foam): clr / air / clr / air / clr (SS/SS/SS) 3/4" IG (P1-S)											
	0.087	0.250	0.087	0.250	0.087			AIR		CL	P1-S	G,S
	U-Factor 0.37			SHGC (<1) 0.49				VT (<1) 0.52			CR 53	
1945	148.294 / Opt 3 (INN Refo KS/LS, Foam): E270 / air / clr (SS/SS) 3/4" IG											
	0.087	0.563	0.087					AIR	0.037(#2)	CL	P1-S	N,G,S
	U-Factor 0.30			SHGC (N / <1) 0.29 / 0.26				VT (N / <1) 0.54 / 0.48			CR 59	
	148.294 / Opt 3 (INN Refo KS/LS, Foam): clr / air / E270 (SS/SS) 3/4" IG											
	0.087	0.563	0.087					AIR	0.037(#3)	CL	P1-S	N,G,S
	U-Factor 0.30			SHGC (N / <1) 0.35 / 0.32				VT (N / <1) 0.54 / 0.48			CR 59	
1946	148.294 / Opt 3 (INN Refo KS/LS, Foam): E270 / arg / clr (SS/SS) 3/4" IG											
	0.087	0.563	0.087					ARG90	0.037(#2)	CL	P1-S	N,G,S
	U-Factor 0.26			SHGC (N / <1) 0.28 / 0.26				VT (N / <1) 0.54 / 0.48			CR 62	
	148.294 / Opt 3 (INN Refo KS/LS, Foam): clr / arg / E270 (SS/SS) 3/4" IG											
	0.087	0.563	0.087					ARG90	0.037(#3)	CL	P1-S	N,G,S
	U-Factor 0.26			SHGC (N / <1) 0.36 / 0.32				VT (N / <1) 0.54 / 0.48			CR 62	
1947	148.294 / Opt 3 (INN Refo KS/LS, Foam): E270 / air / clr (DS/DS) 3/4" IG											
	0.118	0.500	0.118					AIR	0.037(#2)	CL	P1-S	N,G,S
	U-Factor 0.30			SHGC (N / <1) 0.29 / 0.26				VT (N / <1) 0.53 / 0.47			CR 58	
	148.294 / Opt 3 (INN Refo KS/LS, Foam): clr / air / E270 (DS/DS) 3/4" IG											
	0.118	0.500	0.118					AIR	0.037(#3)	CL	P1-S	N,G,S
	U-Factor 0.30			SHGC (N / <1) 0.35 / 0.31				VT (N / <1) 0.53 / 0.47			CR 58	

**NFRC 100/200/500 Summary Sheet
Windgate/Belmont/Hawthorne 2-Lite Slider**

ID	Pane Thickness 1	Gap Width 1	Pane Thickness 2	Gap Width 2	Pane Thickness 3	Gap Width 3	Pane Thickness 4	Gap Fill	Low-e (Surface#)	Tint	Spacer	Grid Type
	U-Factor			Solar Heat Gain Coefficient (SHGC) Grids (None / <1 / >=1)				Visible Transmittance (VT) Grids (None / <1 / >=1)			Condensation Resistance	
1948	148.294 / Opt 3 (INN Refo KS/LS, Foam): E270 / arg / clr (DS/DS) 3/4" IG											
	0.118	0.500	0.118					ARG90	0.037(#2)	CL	P1-S	N,G,S
	U-Factor 0.26			SHGC (N / <1) 0.28 / 0.25				VT (N / <1) 0.53 / 0.47			CR 62	
	148.294 / Opt 3 (INN Refo KS/LS, Foam): clr / arg / E270 (DS/DS) 3/4" IG											
	0.118	0.500	0.118					ARG90	0.037(#3)	CL	P1-S	N,G,S
	U-Factor 0.26			SHGC (N / <1) 0.35 / 0.32				VT (N / <1) 0.53 / 0.47			CR 62	
1949	148.294 / Opt 3 (INN Refo KS/LS, Foam): lami / arg / E270 (DS 090 DS/DS) 3/4" IG											
	0.264	0.345	0.118					ARG90	0.037(#3)	CL	P1-S	N,S
	U-Factor 0.28			SHGC (N / <1) 0.33 / 0.30				VT (N / <1) 0.52 / 0.47			CR 59	
	148.294 / Opt 3 (INN Refo KS/LS, Foam): E270 / arg / lami (DS/DS 090 DS) 3/4" IG											
	0.118	0.345	0.264					ARG90	0.037(#2)	CL	P1-S	N,S
	U-Factor 0.28			SHGC (N / <1) 0.28 / 0.25				VT (N / <1) 0.52 / 0.47			CR 59	
1950	148.294 / Opt 3 (INN Refo KS/LS, Foam): lami / arg / E270 (DS 090 DS/DS) 3/4" IG											
	0.264	0.345	0.118					ARG90	0.037(#3)	CL	P1-S	G,S
	U-Factor 0.30			SHGC (<1) 0.30				VT (<1) 0.47			CR 59	
	148.294 / Opt 3 (INN Refo KS/LS, Foam): E270 / arg / lami (DS/DS 090 DS) 3/4" IG											
	0.118	0.345	0.264					ARG90	0.037(#2)	CL	P1-S	G,S
	U-Factor 0.30			SHGC (<1) 0.25				VT (<1) 0.47			CR 59	
1951	148.294 / Opt 3 (INN Refo KS/LS, Foam): E270 / arg / clr / arg / E270 (SS/SS/SS) 3/4" IG (P1-S)											
	0.087	0.250	0.087	0.250	0.087			ARG90	0.037(#2) / 0.037(#5)	CL	P1-S	N,S
	U-Factor 0.22			SHGC (N / <1) 0.24 / 0.22				VT (N / <1) 0.42 / 0.37			CR 68	
1952	148.294 / Opt 3 (INN Refo KS/LS, Foam): E270 / arg / clr / arg / E270 (SS/SS/SS) 3/4" IG (P1-S)											
	0.087	0.250	0.087	0.250	0.087			ARG90	0.037(#2) / 0.037(#5)	CL	P1-S	G,S
	U-Factor 0.23			SHGC (<1) 0.22				VT (<1) 0.37			CR 68	
1953	148.294 / Opt 3 (INN Refo KS/LS, Foam): E366 / air / clr (SS/SS) 3/4" IG											
	0.087	0.563	0.087					AIR	0.022(#2)	CL	P1-S	N,G,S
	U-Factor 0.30			SHGC (N / <1) 0.21 / 0.19				VT (N / <1) 0.50 / 0.44			CR 59	
	148.294 / Opt 3 (INN Refo KS/LS, Foam): clr / air / E366 (SS/SS) 3/4" IG											
	0.087	0.563	0.087					AIR	0.022(#3)	CL	P1-S	N,G,S
	U-Factor 0.30			SHGC (N / <1) 0.30 / 0.27				VT (N / <1) 0.50 / 0.44			CR 59	

NFRC 100/200/500 Summary Sheet
Windgate/Belmont/Hawthorne 2-Lite Slider

ID	Pane Thickness 1	Gap Width 1	Pane Thickness 2	Gap Width 2	Pane Thickness 3	Gap Width 3	Pane Thickness 4	Gap Fill	Low-e (Surface#)	Tint	Spacer	Grid Type
	U-Factor			Solar Heat Gain Coefficient (SHGC) Grids (None / <1 / >=1)				Visible Transmittance (VT) Grids (None / <1 / >=1)			Condensation Resistance	
1954	148.294 / Opt 3 (INN Refo KS/LS, Foam): E366 / arg / clr (SS/SS) 3/4" IG											
	0.087	0.563	0.087					ARG90	0.022(#2)	CL	P1-S	N,G,S
	U-Factor 0.26			SHGC (N / <1) 0.21 / 0.19				VT (N / <1) 0.50 / 0.44			CR 63	
	148.294 / Opt 3 (INN Refo KS/LS, Foam): clr / arg / E366 (SS/SS) 3/4" IG											
	0.087	0.563	0.087					ARG90	0.022(#3)	CL	P1-S	N,G,S
	U-Factor 0.26			SHGC (N / <1) 0.30 / 0.27				VT (N / <1) 0.50 / 0.44			CR 63	
1955	148.294 / Opt 3 (INN Refo KS/LS, Foam): E366 / air / clr (DS/DS) 3/4" IG											
	0.117	0.500	0.118					AIR	0.022(#2)	CL	P1-S	N,G,S
	U-Factor 0.29			SHGC (N / <1) 0.21 / 0.19				VT (N / <1) 0.49 / 0.44			CR 58	
	148.294 / Opt 3 (INN Refo KS/LS, Foam): clr / air / E366 (DS/DS) 3/4" IG											
	0.118	0.500	0.117					AIR	0.022(#3)	CL	P1-S	N,G,S
	U-Factor 0.29			SHGC (N / <1) 0.29 / 0.27				VT (N / <1) 0.49 / 0.44			CR 58	
1956	148.294 / Opt 3 (INN Refo KS/LS, Foam): E366 / arg / clr (DS/DS) 3/4" IG											
	0.117	0.500	0.118					ARG90	0.022(#2)	CL	P1-S	N,G,S
	U-Factor 0.26			SHGC (N / <1) 0.21 / 0.19				VT (N / <1) 0.49 / 0.44			CR 62	
	148.294 / Opt 3 (INN Refo KS/LS, Foam): clr / arg / E366 (DS/DS) 3/4" IG											
	0.118	0.500	0.117					ARG90	0.022(#3)	CL	P1-S	N,G,S
	U-Factor 0.26			SHGC (N / <1) 0.30 / 0.27				VT (N / <1) 0.49 / 0.44			CR 62	
1957	148.294 / Opt 3 (INN Refo KS/LS, Foam): lami / arg / E366 (DS 090 DS/DS) 3/4" IG											
	0.264	0.345	0.117					ARG90	0.022(#3)	CL	P1-S	N,S
	U-Factor 0.28			SHGC (N / <1) 0.29 / 0.26				VT (N / <1) 0.48 / 0.43			CR 60	
	148.294 / Opt 3 (INN Refo KS/LS, Foam): E366 / arg / lami (DS/DS 090 DS) 3/4" IG											
	0.117	0.345	0.264					ARG90	0.022(#2)	CL	P1-S	N,S
	U-Factor 0.28			SHGC (N / <1) 0.21 / 0.19				VT (N / <1) 0.48 / 0.43			CR 60	
1958	148.294 / Opt 3 (INN Refo KS/LS, Foam): lami / arg / E366 (DS 090 DS/DS) 3/4" IG											
	0.264	0.345	0.117					ARG90	0.022(#3)	CL	P1-S	G,S
	U-Factor 0.29			SHGC (<1) 0.26				VT (<1) 0.43			CR 60	
	148.294 / Opt 3 (INN Refo KS/LS, Foam): E366 / arg / lami (DS/DS 090 DS) 3/4" IG											
	0.117	0.345	0.264					ARG90	0.022(#2)	CL	P1-S	G,S
	U-Factor 0.29			SHGC (<1) 0.19				VT (<1) 0.43			CR 60	

NFRC 100/200/500 Summary Sheet
Windgate/Belmont/Hawthorne 2-Lite Slider

ID	Pane Thickness 1	Gap Width 1	Pane Thickness 2	Gap Width 2	Pane Thickness 3	Gap Width 3	Pane Thickness 4	Gap Fill	Low-e (Surface#)	Tint	Spacer	Grid Type
	U-Factor			Solar Heat Gain Coefficient (SHGC) Grids (None / <1 / >=1)				Visible Transmittance (VT) Grids (None / <1 / >=1)			Condensation Resistance	
1959	148.294 / Opt 3 (INN Refo KS/LS, Foam): E366 / arg / clr / arg / E366 (SS/SS/SS) 3/4" IG (P1-S)											
	0.087	0.250	0.087	0.250	0.087			ARG90	0.022(#2) / 0.022(#5)	CL	P1-S	N,S
	U-Factor 0.22			SHGC (N / <1) 0.19 / 0.17				VT (N / <1) 0.36 / 0.32			CR 68	
1960	148.294 / Opt 3 (INN Refo KS/LS, Foam): E366 / arg / clr / arg / E366 (SS/SS/SS) 3/4" IG (P1-S)											
	0.087	0.250	0.087	0.250	0.087			ARG90	0.022(#2) / 0.022(#5)	CL	P1-S	G,S
	U-Factor 0.23			SHGC (<1) 0.17				VT (<1) 0.32			CR 68	
1961	148.294 / Opt 3 (INN Refo KS/LS, Foam): 70/36 / air / clr (SS/SS) 3/4" IG											
	0.090	0.563	0.090					AIR	0.036(#2)	CL	P1-S	N,G,S
	U-Factor 0.30			SHGC (N / <1) 0.30 / 0.27				VT (N / <1) 0.54 / 0.48			CR 59	
	148.294 / Opt 3 (INN Refo KS/LS, Foam): clr / air / 70/36 (SS/SS) 3/4" IG											
	0.090	0.563	0.090					AIR	0.036(#3)	CL	P1-S	N,G,S
	U-Factor 0.30			SHGC (N / <1) 0.37 / 0.33				VT (N / <1) 0.54 / 0.48			CR 59	
1962	148.294 / Opt 3 (INN Refo KS/LS, Foam): 70/36 / arg / clr (SS/SS) 3/4" IG											
	0.090	0.563	0.090					ARG90	0.036(#2)	CL	P1-S	N,G,S
	U-Factor 0.26			SHGC (N / <1) 0.30 / 0.27				VT (N / <1) 0.54 / 0.48			CR 62	
	148.294 / Opt 3 (INN Refo KS/LS, Foam): clr / arg / 70/36 (SS/SS) 3/4" IG											
	0.090	0.563	0.090					ARG90	0.036(#3)	CL	P1-S	N,G,S
	U-Factor 0.26			SHGC (N / <1) 0.38 / 0.34				VT (N / <1) 0.54 / 0.48			CR 62	
1963	148.294 / Opt 3 (INN Refo KS/LS, Foam): 70/36 / air / clr (DS/DS) 3/4" IG											
	0.117	0.500	0.117					AIR	0.036(#2)	CL	P1-S	N,G,S
	U-Factor 0.30			SHGC (N / <1) 0.30 / 0.27				VT (N / <1) 0.53 / 0.47			CR 58	
	148.294 / Opt 3 (INN Refo KS/LS, Foam): clr / air / 70/36 (DS/DS) 3/4" IG											
	0.117	0.500	0.117					AIR	0.036(#3)	CL	P1-S	N,G,S
	U-Factor 0.30			SHGC (N / <1) 0.37 / 0.33				VT (N / <1) 0.53 / 0.47			CR 58	
1964	148.294 / Opt 3 (INN Refo KS/LS, Foam): 70/36 / arg / clr (DS/DS) 3/4" IG											
	0.117	0.500	0.117					ARG90	0.036(#2)	CL	P1-S	N,G,S
	U-Factor 0.26			SHGC (N / <1) 0.29 / 0.27				VT (N / <1) 0.53 / 0.47			CR 62	
	148.294 / Opt 3 (INN Refo KS/LS, Foam): clr / arg / 70/36 (DS/DS) 3/4" IG											
	0.117	0.500	0.117					ARG90	0.036(#3)	CL	P1-S	N,G,S
	U-Factor 0.26			SHGC (N / <1) 0.37 / 0.33				VT (N / <1) 0.53 / 0.47			CR 62	

NFRC 100/200/500 Summary Sheet
Windgate/Belmont/Hawthorne 2-Lite Slider

ID	Pane Thickness 1	Gap Width 1	Pane Thickness 2	Gap Width 2	Pane Thickness 3	Gap Width 3	Pane Thickness 4	Gap Fill	Low-e (Surface#)	Tint	Spacer	Grid Type
	U-Factor			Solar Heat Gain Coefficient (SHGC) Grids (None / <1 / >=1)				Visible Transmittance (VT) Grids (None / <1 / >=1)			Condensation Resistance	
1965	148.294 / Opt 3 (INN Refo KS/LS, Foam): lami / arg / 70/36 (DS 090 DS/DS) 3/4" IG											
	0.264	0.345	0.117					ARG90	0.036(#3)	CL	P1-S	N,S
	U-Factor 0.28			SHGC (N / <1) 0.35 / 0.32				VT (N / <1) 0.52 / 0.47			CR 59	
	148.294 / Opt 3 (INN Refo KS/LS, Foam): 70/36 / arg / lami (DS/DS 090 DS) 3/4" IG											
	0.117	0.345	0.264					ARG90	0.036(#2)	CL	P1-S	N,S
	U-Factor 0.28			SHGC (N / <1) 0.29 / 0.26				VT (N / <1) 0.52 / 0.47			CR 59	
1966	148.294 / Opt 3 (INN Refo KS/LS, Foam): lami / arg / 70/36 (DS 090 DS/DS) 3/4" IG											
	0.264	0.345	0.117					ARG90	0.036(#3)	CL	P1-S	G,S
	U-Factor 0.29			SHGC (<1) 0.32				VT (<1) 0.47			CR 59	
	148.294 / Opt 3 (INN Refo KS/LS, Foam): 70/36 / arg / lami (DS/DS 090 DS) 3/4" IG											
	0.117	0.345	0.264					ARG90	0.036(#2)	CL	P1-S	G,S
	U-Factor 0.29			SHGC (<1) 0.26				VT (<1) 0.47			CR 59	
1967	148.294 / Opt 3 (INN Refo KS/LS, Foam): 70/36 / arg / clr / arg / 70/36 (SS/SS/SS) 3/4" IG											
	0.090	0.250	0.090	0.250	0.090			ARG90	0.036(#2) / 0.036(#5)	CL	P1-S	N,S
	U-Factor 0.22			SHGC (N / <1) 0.26 / 0.23				VT (N / <1) 0.42 / 0.37			CR 68	
1968	148.294 / Opt 3 (INN Refo KS/LS, Foam): 70/36 / arg / clr / arg / 70/36 (SS/SS/SS) 3/4" IG											
	0.090	0.250	0.090	0.250	0.090			ARG90	0.036(#2) / 0.036(#5)	CL	P1-S	G,S
	U-Factor 0.23			SHGC (<1) 0.23				VT (<1) 0.37			CR 68	
1969	148.294 / Opt 3 (INN Refo KS/LS, Foam): 80/70 / air / clr (SS/SS) 3/4" IG											
	0.090	0.563	0.090					AIR	0.095(#2)	CL	P1-S	N,G,S
	U-Factor 0.31			SHGC (N / <1) 0.51 / 0.46				VT (N / <1) 0.62 / 0.55			CR 57	
	148.294 / Opt 3 (INN Refo KS/LS, Foam): clr / air / 80/70 (SS/SS) 3/4" IG											
	0.090	0.563	0.090					AIR	0.095(#3)	CL	P1-S	N,G,S
	U-Factor 0.31			SHGC (N / <1) 0.54 / 0.49				VT (N / <1) 0.62 / 0.55			CR 57	
1970	148.294 / Opt 3 (INN Refo KS/LS, Foam): 80/70 / arg / clr (SS/SS) 3/4" IG											
	0.090	0.563	0.090					ARG90	0.095(#2)	CL	P1-S	N,G,S
	U-Factor 0.28			SHGC (N / <1) 0.51 / 0.46				VT (N / <1) 0.62 / 0.55			CR 61	
	148.294 / Opt 3 (INN Refo KS/LS, Foam): clr / arg / 80/70 (SS/SS) 3/4" IG											
	0.090	0.563	0.090					ARG90	0.095(#3)	CL	P1-S	N,G,S
	U-Factor 0.28			SHGC (N / <1) 0.54 / 0.49				VT (N / <1) 0.62 / 0.55			CR 61	

NFRC 100/200/500 Summary Sheet
Windgate/Belmont/Hawthorne 2-Lite Slider

ID	Pane Thickness 1	Gap Width 1	Pane Thickness 2	Gap Width 2	Pane Thickness 3	Gap Width 3	Pane Thickness 4	Gap Fill	Low-e (Surface#)	Tint	Spacer	Grid Type
	U-Factor			Solar Heat Gain Coefficient (SHGC) Grids (None / <1 / >=1)				Visible Transmittance (VT) Grids (None / <1 / >=1)			Condensation Resistance	
1971	148.294 / Opt 3 (INN Refo KS/LS, Foam): 80/70 / air / clr (DS/DS) 3/4" IG											
	0.117	0.500	0.117					AIR	0.095(#2)	CL	P1-S	N,G,S
	U-Factor 0.31			SHGC (N / <1) 0.51 / 0.45				VT (N / <1) 0.61 / 0.55			CR 56	
	148.294 / Opt 3 (INN Refo KS/LS, Foam): clr / air / 80/70 (DS/DS) 3/4" IG											
	0.117	0.500	0.117					AIR	0.095(#3)	CL	P1-S	N,G,S
	U-Factor 0.31			SHGC (N / <1) 0.53 / 0.48				VT (N / <1) 0.61 / 0.55			CR 56	
1972	148.294 / Opt 3 (INN Refo KS/LS, Foam): 80/70 / arg / clr (DS/DS) 3/4" IG											
	0.117	0.500	0.117					ARG90	0.095(#2)	CL	P1-S	N,G,S
	U-Factor 0.28			SHGC (N / <1) 0.51 / 0.45				VT (N / <1) 0.61 / 0.55			CR 60	
	148.294 / Opt 3 (INN Refo KS/LS, Foam): clr / arg / 80/70 (DS/DS) 3/4" IG											
	0.117	0.500	0.117					ARG90	0.095(#3)	CL	P1-S	N,G,S
	U-Factor 0.28			SHGC (N / <1) 0.54 / 0.48				VT (N / <1) 0.61 / 0.55			CR 60	
1973	148.294 / Opt 3 (INN Refo KS/LS, Foam): lami / arg / 80/70 (DS 090 DS/DS) 3/4" IG											
	0.264	0.345	0.117					ARG90	0.095(#3)	CL	P1-S	N,S
	U-Factor 0.30			SHGC (N / <1) 0.49 / 0.44				VT (N / <1) 0.60 / 0.54			CR 58	
	148.294 / Opt 3 (INN Refo KS/LS, Foam): 80/70 / arg / lami (DS/DS 090 DS) 3/4" IG											
	0.117	0.345	0.264					ARG90	0.095(#2)	CL	P1-S	N,S
	U-Factor 0.30			SHGC (N / <1) 0.50 / 0.45				VT (N / <1) 0.60 / 0.54			CR 58	
1974	148.294 / Opt 3 (INN Refo KS/LS, Foam): lami / arg / 80/70 (DS 090 DS/DS) 3/4" IG											
	0.264	0.345	0.117					ARG90	0.095(#3)	CL	P1-S	G,S
	U-Factor 0.31			SHGC (<1) 0.44				VT (<1) 0.54			CR 58	
	148.294 / Opt 3 (INN Refo KS/LS, Foam): 80/70 / arg / lami (DS/DS 090 DS) 3/4" IG											
	0.117	0.345	0.264					ARG90	0.095(#2)	CL	P1-S	G,S
	U-Factor 0.31			SHGC (<1) 0.45				VT (<1) 0.54			CR 58	
1975	148.294 / Opt 3 (INN Refo KS/LS, Foam): 80/70 / arg / clr / arg / 80/70 (SS/SS/SS) 3/4" IG											
	0.090	0.250	0.090	0.250	0.090			ARG90	0.095(#2) / 0.095(#5)	CL	P1-S	N,S
	U-Factor 0.23			SHGC (N / <1) 0.45 / 0.41				VT (N / <1) 0.56 / 0.50			CR 67	
1976	148.294 / Opt 3 (INN Refo KS/LS, Foam): 80/70 / arg / clr / arg / 80/70 (SS/SS/SS) 3/4" IG											
	0.090	0.250	0.090	0.250	0.090			ARG90	0.095(#2) / 0.095(#5)	CL	P1-S	G,S
	U-Factor 0.24			SHGC (<1) 0.41				VT (<1) 0.50			CR 67	

NFRC 100/200/500 Summary Sheet
Windgate/Belmont/Hawthorne 2-Lite Slider

ID	Pane Thickness 1	Gap Width 1	Pane Thickness 2	Gap Width 2	Pane Thickness 3	Gap Width 3	Pane Thickness 4	Gap Fill	Low-e (Surface#)	Tint	Spacer	Grid Type
	U-Factor			Solar Heat Gain Coefficient (SHGC) Grids (None / <1 / >=1)				Visible Transmittance (VT) Grids (None / <1 / >=1)			Condensation Resistance	
1977	148.294 / Opt 3 (INN Refo KS/LS, Foam): clr / air / clr (SS/SS) 3/4" IG											
	0.087	0.563	0.087					AIR		CL	SS-D	N,G,S
	U-Factor 0.44			SHGC (N / <1) 0.61 / 0.54				VT (N / <1) 0.63 / 0.56			CR 44	
1978	148.294 / Opt 3 (INN Refo KS/LS, Foam): clr / air / clr (DS/DS) 3/4" IG											
	0.118	0.500	0.118					AIR		CL	SS-D	N,G,S
	U-Factor 0.44			SHGC (N / <1) 0.59 / 0.53				VT (N / <1) 0.62 / 0.56			CR 44	
1979	148.294 / Opt 3 (INN Refo KS/LS, Foam): clr / air / clr (5mm/DS) 3/4" IG											
	0.185	0.438	0.118					AIR		CL	SS-D	N,G,S
	U-Factor 0.45			SHGC (N / <1) 0.57 / 0.51				VT (N / <1) 0.62 / 0.55			CR 44	
1980	148.294 / Opt 3 (INN Refo KS/LS, Foam): clr / air / clr (5mm/DS) 3/4" IG											
	0.185	0.438	0.118					AIR		CL	SS-D	G
	U-Factor 0.45			SHGC (<1) 0.51				VT (<1) 0.55			CR 44	
1981	148.294 / Opt 3 (INN Refo KS/LS, Foam): lami / air / clr (DS 090 DS/DS) 3/4" IG											
	0.264	0.345	0.118					AIR		CL	SS-D	N,S
	U-Factor 0.46			SHGC (N / <1) 0.55 / 0.49				VT (N / <1) 0.61 / 0.55			CR 42	
	148.294 / Opt 3 (INN Refo KS/LS, Foam): clr / air / lami (DS/DS 090 DS) 3/4" IG											
	0.118	0.345	0.264					AIR		CL	SS-D	N,S
	U-Factor 0.46			SHGC (N / <1) 0.57 / 0.51				VT (N / <1) 0.61 / 0.55			CR 42	
1982	148.294 / Opt 3 (INN Refo KS/LS, Foam): lami / air / clr (DS 090 DS/DS) 3/4" IG											
	0.264	0.345	0.118					AIR		CL	SS-D	G,S
	U-Factor 0.46			SHGC (<1) 0.49				VT (<1) 0.55			CR 42	
	148.294 / Opt 3 (INN Refo KS/LS, Foam): clr / air / lami (DS/DS 090 DS) 3/4" IG											
	0.118	0.345	0.264					AIR		CL	SS-D	G,S
	U-Factor 0.46			SHGC (<1) 0.51				VT (<1) 0.55			CR 42	
1983	148.294 / Opt 3 (INN Refo KS/LS, Foam): clr / air / clr / air / clr (SS/SS/SS) 3/4" IG (P1-S)											
	0.087	0.250	0.087	0.250	0.087			AIR		CL	SS-D	N,S
	U-Factor 0.36			SHGC (N / <1) 0.55 / 0.49				VT (N / <1) 0.58 / 0.52			CR 52	
1984	148.294 / Opt 3 (INN Refo KS/LS, Foam): clr / air / clr / air / clr (SS/SS/SS) 3/4" IG (P1-S)											
	0.087	0.250	0.087	0.250	0.087			AIR		CL	SS-D	G,S
	U-Factor 0.37			SHGC (<1) 0.49				VT (<1) 0.52			CR 52	

NFRC 100/200/500 Summary Sheet
Windgate/Belmont/Hawthorne 2-Lite Slider

ID	Pane Thickness 1	Gap Width 1	Pane Thickness 2	Gap Width 2	Pane Thickness 3	Gap Width 3	Pane Thickness 4	Gap Fill	Low-e (Surface#)	Tint	Spacer	Grid Type
	U-Factor			Solar Heat Gain Coefficient (SHGC) Grids (None / <1 / >=1)				Visible Transmittance (VT) Grids (None / <1 / >=1)			Condensation Resistance	
1985	148.294 / Opt 3 (INN Refo KS/LS, Foam): E270 / air / clr (SS/SS) 3/4" IG											
	0.087	0.563	0.087					AIR	0.037(#2)	CL	SS-D	N,G,S
	U-Factor 0.31			SHGC (N / <1) 0.29 / 0.26				VT (N / <1) 0.54 / 0.48			CR	56
	148.294 / Opt 3 (INN Refo KS/LS, Foam): clr / air / E270 (SS/SS) 3/4" IG											
	0.087	0.563	0.087					AIR	0.037(#3)	CL	SS-D	N,G,S
	U-Factor 0.31			SHGC (N / <1) 0.35 / 0.32				VT (N / <1) 0.54 / 0.48			CR	56
1986	148.294 / Opt 3 (INN Refo KS/LS, Foam): E270 / arg / clr (SS/SS) 3/4" IG											
	0.087	0.563	0.087					ARG90	0.037(#2)	CL	SS-D	N,G,S
	U-Factor 0.27			SHGC (N / <1) 0.28 / 0.26				VT (N / <1) 0.54 / 0.48			CR	59
	148.294 / Opt 3 (INN Refo KS/LS, Foam): clr / arg / E270 (SS/SS) 3/4" IG											
	0.087	0.563	0.087					ARG90	0.037(#3)	CL	SS-D	N,G,S
	U-Factor 0.27			SHGC (N / <1) 0.36 / 0.32				VT (N / <1) 0.54 / 0.48			CR	59
1987	148.294 / Opt 3 (INN Refo KS/LS, Foam): E270 / air / clr (DS/DS) 3/4" IG											
	0.118	0.500	0.118					AIR	0.037(#2)	CL	SS-D	N,G,S
	U-Factor 0.30			SHGC (N / <1) 0.29 / 0.26				VT (N / <1) 0.53 / 0.47			CR	55
	148.294 / Opt 3 (INN Refo KS/LS, Foam): clr / air / E270 (DS/DS) 3/4" IG											
	0.118	0.500	0.118					AIR	0.037(#3)	CL	SS-D	N,G,S
	U-Factor 0.30			SHGC (N / <1) 0.35 / 0.31				VT (N / <1) 0.53 / 0.47			CR	55
1988	148.294 / Opt 3 (INN Refo KS/LS, Foam): E270 / arg / clr (DS/DS) 3/4" IG											
	0.118	0.500	0.118					ARG90	0.037(#2)	CL	SS-D	N,G,S
	U-Factor 0.27			SHGC (N / <1) 0.28 / 0.25				VT (N / <1) 0.53 / 0.47			CR	58
	148.294 / Opt 3 (INN Refo KS/LS, Foam): clr / arg / E270 (DS/DS) 3/4" IG											
	0.118	0.500	0.118					ARG90	0.037(#3)	CL	SS-D	N,G,S
	U-Factor 0.27			SHGC (N / <1) 0.35 / 0.32				VT (N / <1) 0.53 / 0.47			CR	58
1989	148.294 / Opt 3 (INN Refo KS/LS, Foam): lami / arg / E270 (DS 090 DS/DS) 3/4" IG											
	0.264	0.345	0.118					ARG90	0.037(#3)	CL	SS-D	N,S
	U-Factor 0.29			SHGC (N / <1) 0.33 / 0.30				VT (N / <1) 0.52 / 0.47			CR	56
	148.294 / Opt 3 (INN Refo KS/LS, Foam): E270 / arg / lami (DS/DS 090 DS) 3/4" IG											
	0.118	0.345	0.264					ARG90	0.037(#2)	CL	SS-D	N,S
	U-Factor 0.29			SHGC (N / <1) 0.28 / 0.25				VT (N / <1) 0.52 / 0.47			CR	56

NFRC 100/200/500 Summary Sheet
Windgate/Belmont/Hawthorne 2-Lite Slider

ID	Pane Thickness 1	Gap Width 1	Pane Thickness 2	Gap Width 2	Pane Thickness 3	Gap Width 3	Pane Thickness 4	Gap Fill	Low-e (Surface#)	Tint	Spacer	Grid Type
	U-Factor			Solar Heat Gain Coefficient (SHGC) Grids (None / <1 / >=1)				Visible Transmittance (VT) Grids (None / <1 / >=1)			Condensation Resistance	
1990	148.294 / Opt 3 (INN Refo KS/LS, Foam): lami / arg / E270 (DS 090 DS/DS) 3/4" IG											
	0.264	0.345	0.118					ARG90	0.037(#3)	CL	SS-D	G,S
	U-Factor 0.30			SHGC (<1) 0.30				VT (<1) 0.47			CR 56	
	148.294 / Opt 3 (INN Refo KS/LS, Foam): E270 / arg / lami (DS/DS 090 DS) 3/4" IG											
	0.118	0.345	0.264					ARG90	0.037(#2)	CL	SS-D	G,S
	U-Factor 0.30			SHGC (<1) 0.25				VT (<1) 0.47			CR 56	
1991	148.294 / Opt 3 (INN Refo KS/LS, Foam): E270 / arg / clr / arg / E270 (SS/SS/SS) 3/4" IG (SS-D)											
	0.087	0.266	0.087	0.266	0.087			ARG90	0.037(#2) / 0.037(#5)	CL	SS-D	N,S
	U-Factor 0.23			SHGC (N / <1) 0.24 / 0.22				VT (N / <1) 0.42 / 0.37			CR 66	
1992	148.294 / Opt 3 (INN Refo KS/LS, Foam): E270 / arg / clr / arg / E270 (SS/SS/SS) 3/4" IG (SS-D)											
	0.087	0.266	0.087	0.266	0.087			ARG90	0.037(#2) / 0.037(#5)	CL	SS-D	G,S
	U-Factor 0.23			SHGC (<1) 0.22				VT (<1) 0.37			CR 66	
1993	148.294 / Opt 3 (INN Refo KS/LS, Foam): E366 / air / clr (SS/SS) 3/4" IG											
	0.087	0.563	0.087					AIR	0.022(#2)	CL	SS-D	N,G,S
	U-Factor 0.31			SHGC (N / <1) 0.21 / 0.19				VT (N / <1) 0.50 / 0.44			CR 56	
	148.294 / Opt 3 (INN Refo KS/LS, Foam): clr / air / E366 (SS/SS) 3/4" IG											
	0.087	0.563	0.087					AIR	0.022(#3)	CL	SS-D	N,G,S
	U-Factor 0.31			SHGC (N / <1) 0.30 / 0.27				VT (N / <1) 0.50 / 0.44			CR 56	
1994	148.294 / Opt 3 (INN Refo KS/LS, Foam): E366 / arg / clr (SS/SS) 3/4" IG											
	0.087	0.563	0.087					ARG90	0.022(#2)	CL	SS-D	N,G,S
	U-Factor 0.27			SHGC (N / <1) 0.21 / 0.19				VT (N / <1) 0.50 / 0.44			CR 59	
	148.294 / Opt 3 (INN Refo KS/LS, Foam): clr / arg / E366 (SS/SS) 3/4" IG											
	0.087	0.563	0.087					ARG90	0.022(#3)	CL	SS-D	N,G,S
	U-Factor 0.27			SHGC (N / <1) 0.30 / 0.27				VT (N / <1) 0.50 / 0.44			CR 59	
1995	148.294 / Opt 3 (INN Refo KS/LS, Foam): E366 / air / clr (DS/DS) 3/4" IG											
	0.117	0.500	0.118					AIR	0.022(#2)	CL	SS-D	N,G,S
	U-Factor 0.30			SHGC (N / <1) 0.21 / 0.19				VT (N / <1) 0.49 / 0.44			CR 55	
	148.294 / Opt 3 (INN Refo KS/LS, Foam): clr / air / E366 (DS/DS) 3/4" IG											
	0.118	0.500	0.117					AIR	0.022(#3)	CL	SS-D	N,G,S
	U-Factor 0.30			SHGC (N / <1) 0.29 / 0.27				VT (N / <1) 0.49 / 0.44			CR 55	

NFRC 100/200/500 Summary Sheet
Windgate/Belmont/Hawthorne 2-Lite Slider

ID	Pane Thickness 1	Gap Width 1	Pane Thickness 2	Gap Width 2	Pane Thickness 3	Gap Width 3	Pane Thickness 4	Gap Fill	Low-e (Surface#)	Tint	Spacer	Grid Type
	U-Factor			Solar Heat Gain Coefficient (SHGC) Grids (None / <1 / >=1)				Visible Transmittance (VT) Grids (None / <1 / >=1)			Condensation Resistance	
1996	148.294 / Opt 3 (INN Refo KS/LS, Foam): E366 / arg / clr (DS/DS) 3/4" IG											
	0.117	0.500	0.118					ARG90	0.022(#2)	CL	SS-D	N,G,S
	U-Factor 0.27			SHGC (N / <1) 0.21 / 0.19				VT (N / <1) 0.49 / 0.44			CR 59	
	148.294 / Opt 3 (INN Refo KS/LS, Foam): clr / arg / E366 (DS/DS) 3/4" IG											
	0.118	0.500	0.117					ARG90	0.022(#3)	CL	SS-D	N,G,S
	U-Factor 0.27			SHGC (N / <1) 0.30 / 0.27				VT (N / <1) 0.49 / 0.44			CR 59	
1997	148.294 / Opt 3 (INN Refo KS/LS, Foam): lami / arg / E366 (DS 090 DS/DS) 3/4" IG											
	0.264	0.345	0.117					ARG90	0.022(#3)	CL	SS-D	N,S
	U-Factor 0.29			SHGC (N / <1) 0.29 / 0.26				VT (N / <1) 0.48 / 0.43			CR 56	
	148.294 / Opt 3 (INN Refo KS/LS, Foam): E366 / arg / lami (DS/DS 090 DS) 3/4" IG											
	0.117	0.345	0.264					ARG90	0.022(#2)	CL	SS-D	N,S
	U-Factor 0.29			SHGC (N / <1) 0.21 / 0.19				VT (N / <1) 0.48 / 0.43			CR 56	
1998	148.294 / Opt 3 (INN Refo KS/LS, Foam): lami / arg / E366 (DS 090 DS/DS) 3/4" IG											
	0.264	0.345	0.117					ARG90	0.022(#3)	CL	SS-D	G,S
	U-Factor 0.30			SHGC (<1) 0.26				VT (<1) 0.43			CR 56	
	148.294 / Opt 3 (INN Refo KS/LS, Foam): E366 / arg / lami (DS/DS 090 DS) 3/4" IG											
	0.117	0.345	0.264					ARG90	0.022(#2)	CL	SS-D	G,S
	U-Factor 0.30			SHGC (<1) 0.19				VT (<1) 0.43			CR 56	
1999	148.294 / Opt 3 (INN Refo KS/LS, Foam): E366 / arg / clr / arg / E366 (SS/SS/SS) 3/4" IG (SS-D)											
	0.087	0.266	0.087	0.266	0.087			ARG90	0.022(#2) / 0.022(#5)	CL	SS-D	N,S
	U-Factor 0.22			SHGC (N / <1) 0.19 / 0.17				VT (N / <1) 0.36 / 0.32			CR 66	
2000	148.294 / Opt 3 (INN Refo KS/LS, Foam): E366 / arg / clr / arg / E366 (SS/SS/SS) 3/4" IG (SS-D)											
	0.087	0.266	0.087	0.266	0.087			ARG90	0.022(#2) / 0.022(#5)	CL	SS-D	G,S
	U-Factor 0.23			SHGC (<1) 0.17				VT (<1) 0.32			CR 66	
2001	148.294 / Opt 3 (INN Refo KS/LS, Foam): clr / air / clr (SS/SS) 3/4" IG											
	0.087	0.563	0.087					AIR		CL	TS-D	N,G,S
	U-Factor 0.44			SHGC (N / <1) 0.61 / 0.54				VT (N / <1) 0.63 / 0.56			CR 44	
2002	148.294 / Opt 3 (INN Refo KS/LS, Foam): clr / air / clr (DS/DS) 3/4" IG											
	0.118	0.500	0.118					AIR		CL	TS-D	N,G,S
	U-Factor 0.44			SHGC (N / <1) 0.59 / 0.53				VT (N / <1) 0.62 / 0.56			CR 43	

NFRC 100/200/500 Summary Sheet
Windgate/Belmont/Hawthorne 2-Lite Slider

ID	Pane Thickness 1	Gap Width 1	Pane Thickness 2	Gap Width 2	Pane Thickness 3	Gap Width 3	Pane Thickness 4	Gap Fill	Low-e (Surface#)	Tint	Spacer	Grid Type
	U-Factor			Solar Heat Gain Coefficient (SHGC) Grids (None / <1 / >=1)				Visible Transmittance (VT) Grids (None / <1 / >=1)			Condensation Resistance	
2003	148.294 / Opt 3 (INN Refo KS/LS, Foam): clr / air / clr (5mm/DS) 3/4" IG											
	0.185	0.438	0.118					AIR		CL	TS-D	N,G,S
	U-Factor 0.45			SHGC (N / <1) 0.57 / 0.51				VT (N / <1) 0.62 / 0.55			CR 43	
2004	148.294 / Opt 3 (INN Refo KS/LS, Foam): clr / air / clr (5mm/DS) 3/4" IG											
	0.185	0.438	0.118					AIR		CL	TS-D	G
	U-Factor 0.45			SHGC (<1) 0.51				VT (<1) 0.55			CR 43	
2005	148.294 / Opt 3 (INN Refo KS/LS, Foam): lami / air / clr (DS 090 DS/DS) 3/4" IG											
	0.264	0.345	0.118					AIR		CL	TS-D	N,S
	U-Factor 0.46			SHGC (N / <1) 0.55 / 0.49				VT (N / <1) 0.61 / 0.55			CR 42	
	148.294 / Opt 3 (INN Refo KS/LS, Foam): clr / air / lami (DS/DS 090 DS) 3/4" IG											
	0.118	0.345	0.264					AIR		CL	TS-D	N,S
	U-Factor 0.46			SHGC (N / <1) 0.57 / 0.51				VT (N / <1) 0.61 / 0.55			CR 42	
2006	148.294 / Opt 3 (INN Refo KS/LS, Foam): lami / air / clr (DS 090 DS/DS) 3/4" IG											
	0.264	0.345	0.118					AIR		CL	TS-D	G,S
	U-Factor 0.47			SHGC (<1) 0.49				VT (<1) 0.55			CR 42	
	148.294 / Opt 3 (INN Refo KS/LS, Foam): clr / air / lami (DS/DS 090 DS) 3/4" IG											
	0.118	0.345	0.264					AIR		CL	TS-D	G,S
	U-Factor 0.47			SHGC (<1) 0.51				VT (<1) 0.55			CR 42	
2007	148.294 / Opt 3 (INN Refo KS/LS, Foam): clr / air / clr / air / clr (SS/SS/SS) 3/4" IG (P1-S)											
	0.087	0.250	0.087	0.250	0.087			AIR		CL	TS-D	N,S
	U-Factor 0.37			SHGC (N / <1) 0.55 / 0.49				VT (N / <1) 0.58 / 0.52			CR 51	
2008	148.294 / Opt 3 (INN Refo KS/LS, Foam): clr / air / clr / air / clr (SS/SS/SS) 3/4" IG (P1-S)											
	0.087	0.250	0.087	0.250	0.087			AIR		CL	TS-D	G,S
	U-Factor 0.38			SHGC (<1) 0.49				VT (<1) 0.52			CR 51	
2009	148.294 / Opt 3 (INN Refo KS/LS, Foam): 70/36 / air / clr (SS/SS) 3/4" IG											
	0.090	0.563	0.090					AIR	0.036(#2)	CL	TS-D	N,G,S
	U-Factor 0.31			SHGC (N / <1) 0.30 / 0.27				VT (N / <1) 0.54 / 0.48			CR 55	
	148.294 / Opt 3 (INN Refo KS/LS, Foam): clr / air / 70/36 (SS/SS) 3/4" IG											
	0.090	0.563	0.090					AIR	0.036(#3)	CL	TS-D	N,G,S
	U-Factor 0.31			SHGC (N / <1) 0.37 / 0.33				VT (N / <1) 0.54 / 0.48			CR 55	

NFRC 100/200/500 Summary Sheet
Windgate/Belmont/Hawthorne 2-Lite Slider

ID	Pane Thickness 1	Gap Width 1	Pane Thickness 2	Gap Width 2	Pane Thickness 3	Gap Width 3	Pane Thickness 4	Gap Fill	Low-e (Surface#)	Tint	Spacer	Grid Type
	U-Factor			Solar Heat Gain Coefficient (SHGC) Grids (None / <1 / >=1)				Visible Transmittance (VT) Grids (None / <1 / >=1)			Condensation Resistance	
2010	148.294 / Opt 3 (INN Refo KS/LS, Foam): 70/36 / arg / clr (SS/SS) 3/4" IG											
	0.090	0.563	0.090					ARG90	0.036(#2)	CL	TS-D	N,G,S
	U-Factor 0.28			SHGC (N / <1) 0.30 / 0.27				VT (N / <1) 0.54 / 0.48			CR 58	
	148.294 / Opt 3 (INN Refo KS/LS, Foam): clr / arg / 70/36 (SS/SS) 3/4" IG											
	0.090	0.563	0.090					ARG90	0.036(#3)	CL	TS-D	N,G,S
	U-Factor 0.28			SHGC (N / <1) 0.38 / 0.34				VT (N / <1) 0.54 / 0.48			CR 58	
2011	148.294 / Opt 3 (INN Refo KS/LS, Foam): 70/36 / air / clr (DS/DS) 3/4" IG											
	0.117	0.500	0.117					AIR	0.036(#2)	CL	TS-D	N,G,S
	U-Factor 0.31			SHGC (N / <1) 0.30 / 0.27				VT (N / <1) 0.53 / 0.47			CR 53	
	148.294 / Opt 3 (INN Refo KS/LS, Foam): clr / air / 70/36 (DS/DS) 3/4" IG											
	0.117	0.500	0.117					AIR	0.036(#3)	CL	TS-D	N,G,S
	U-Factor 0.31			SHGC (N / <1) 0.37 / 0.33				VT (N / <1) 0.53 / 0.47			CR 53	
2012	148.294 / Opt 3 (INN Refo KS/LS, Foam): 70/36 / arg / clr (DS/DS) 3/4" IG											
	0.117	0.500	0.117					ARG90	0.036(#2)	CL	TS-D	N,G,S
	U-Factor 0.28			SHGC (N / <1) 0.29 / 0.27				VT (N / <1) 0.53 / 0.47			CR 57	
	148.294 / Opt 3 (INN Refo KS/LS, Foam): clr / arg / 70/36 (DS/DS) 3/4" IG											
	0.117	0.500	0.117					ARG90	0.036(#3)	CL	TS-D	N,G,S
	U-Factor 0.28			SHGC (N / <1) 0.37 / 0.33				VT (N / <1) 0.53 / 0.47			CR 57	
2013	148.294 / Opt 3 (INN Refo KS/LS, Foam): lami / arg / 70/36 (DS 090 DS/DS) 3/4" IG											
	0.264	0.345	0.117					ARG90	0.036(#3)	CL	TS-D	N,S
	U-Factor 0.29			SHGC (N / <1) 0.35 / 0.32				VT (N / <1) 0.52 / 0.47			CR 55	
	148.294 / Opt 3 (INN Refo KS/LS, Foam): 70/36 / arg / lami (DS/DS 090 DS) 3/4" IG											
	0.117	0.345	0.264					ARG90	0.036(#2)	CL	TS-D	N,S
	U-Factor 0.29			SHGC (N / <1) 0.29 / 0.26				VT (N / <1) 0.52 / 0.47			CR 55	
2014	148.294 / Opt 3 (INN Refo KS/LS, Foam): lami / arg / 70/36 (DS 090 DS/DS) 3/4" IG											
	0.264	0.345	0.117					ARG90	0.036(#3)	CL	TS-D	G,S
	U-Factor 0.31			SHGC (<1) 0.32				VT (<1) 0.47			CR 55	
	148.294 / Opt 3 (INN Refo KS/LS, Foam): 70/36 / arg / lami (DS/DS 090 DS) 3/4" IG											
	0.117	0.345	0.264					ARG90	0.036(#2)	CL	TS-D	G,S
	U-Factor 0.31			SHGC (<1) 0.26				VT (<1) 0.47			CR 55	

**NFRC 100/200/500 Summary Sheet
Windgate/Belmont/Hawthorne 2-Lite Slider**

ID	Pane Thickness 1	Gap Width 1	Pane Thickness 2	Gap Width 2	Pane Thickness 3	Gap Width 3	Pane Thickness 4	Gap Fill	Low-e (Surface#)	Tint	Spacer	Grid Type
	U-Factor			Solar Heat Gain Coefficient (SHGC) Grids (None / <1 / >=1)				Visible Transmittance (VT) Grids (None / <1 / >=1)			Condensation Resistance	
2015	148.294 / Opt 3 (INN Refo KS/LS, Foam): 70/36 / arg / clr / arg / 70/36 (SS/SS/SS) 3/4" IG											
	0.090	0.250	0.090	0.250	0.090			ARG90	0.036(#2) / 0.036(#5)	CL	TS-D	N,S
	U-Factor 0.24			SHGC (N / <1) 0.26 / 0.23				VT (N / <1) 0.42 / 0.37			CR 63	
2016	148.294 / Opt 3 (INN Refo KS/LS, Foam): 70/36 / arg / clr / arg / 70/36 (SS/SS/SS) 3/4" IG											
	0.090	0.250	0.090	0.250	0.090			ARG90	0.036(#2) / 0.036(#5)	CL	TS-D	G,S
	U-Factor 0.25			SHGC (<1) 0.23				VT (<1) 0.37			CR 63	
2017	148.294 / Opt 3 (INN Refo KS/LS, Foam): 80/70 / air / clr (SS/SS) 3/4" IG											
	0.090	0.563	0.090					AIR	0.095(#2)	CL	TS-D	N,G,S
	U-Factor 0.33			SHGC (N / <1) 0.51 / 0.46				VT (N / <1) 0.62 / 0.55			CR 53	
	148.294 / Opt 3 (INN Refo KS/LS, Foam): clr / air / 80/70 (SS/SS) 3/4" IG											
	0.090	0.563	0.090					AIR	0.095(#3)	CL	TS-D	N,G,S
	U-Factor 0.33			SHGC (N / <1) 0.54 / 0.49				VT (N / <1) 0.62 / 0.55			CR 53	
2018	148.294 / Opt 3 (INN Refo KS/LS, Foam): 80/70 / arg / clr (SS/SS) 3/4" IG											
	0.090	0.563	0.090					ARG90	0.095(#2)	CL	TS-D	N,G,S
	U-Factor 0.29			SHGC (N / <1) 0.51 / 0.46				VT (N / <1) 0.62 / 0.55			CR 56	
	148.294 / Opt 3 (INN Refo KS/LS, Foam): clr / arg / 80/70 (SS/SS) 3/4" IG											
	0.090	0.563	0.090					ARG90	0.095(#3)	CL	TS-D	N,G,S
	U-Factor 0.29			SHGC (N / <1) 0.54 / 0.49				VT (N / <1) 0.62 / 0.55			CR 56	
2019	148.294 / Opt 3 (INN Refo KS/LS, Foam): 80/70 / air / clr (DS/DS) 3/4" IG											
	0.117	0.500	0.117					AIR	0.095(#2)	CL	TS-D	N,G,S
	U-Factor 0.32			SHGC (N / <1) 0.51 / 0.45				VT (N / <1) 0.61 / 0.55			CR 52	
	148.294 / Opt 3 (INN Refo KS/LS, Foam): clr / air / 80/70 (DS/DS) 3/4" IG											
	0.117	0.500	0.117					AIR	0.095(#3)	CL	TS-D	N,G,S
	U-Factor 0.32			SHGC (N / <1) 0.53 / 0.48				VT (N / <1) 0.61 / 0.55			CR 52	
2020	148.294 / Opt 3 (INN Refo KS/LS, Foam): 80/70 / arg / clr (DS/DS) 3/4" IG											
	0.117	0.500	0.117					ARG90	0.095(#2)	CL	TS-D	N,G,S
	U-Factor 0.29			SHGC (N / <1) 0.51 / 0.45				VT (N / <1) 0.61 / 0.55			CR 55	
	148.294 / Opt 3 (INN Refo KS/LS, Foam): clr / arg / 80/70 (DS/DS) 3/4" IG											
	0.117	0.500	0.117					ARG90	0.095(#3)	CL	TS-D	N,G,S
	U-Factor 0.29			SHGC (N / <1) 0.54 / 0.48				VT (N / <1) 0.61 / 0.55			CR 55	

NFRC 100/200/500 Summary Sheet
Windgate/Belmont/Hawthorne 2-Lite Slider

ID	Pane Thickness 1	Gap Width 1	Pane Thickness 2	Gap Width 2	Pane Thickness 3	Gap Width 3	Pane Thickness 4	Gap Fill	Low-e (Surface#)	Tint	Spacer	Grid Type
	U-Factor			Solar Heat Gain Coefficient (SHGC) Grids (None / <1 / >=1)				Visible Transmittance (VT) Grids (None / <1 / >=1)			Condensation Resistance	
2021	148.294 / Opt 3 (INN Refo KS/LS, Foam): lami / arg / 80/70 (DS 090 DS/DS) 3/4" IG											
	0.264	0.345	0.117					ARG90	0.095(#3)	CL	TS-D	N,S
	U-Factor 0.31			SHGC (N / <1) 0.49 / 0.44				VT (N / <1) 0.60 / 0.54			CR	54
	148.294 / Opt 3 (INN Refo KS/LS, Foam): 80/70 / arg / lami (DS/DS 090 DS) 3/4" IG											
	0.117	0.345	0.264					ARG90	0.095(#2)	CL	TS-D	N,S
	U-Factor 0.31			SHGC (N / <1) 0.50 / 0.45				VT (N / <1) 0.60 / 0.54			CR	54
2022	148.294 / Opt 3 (INN Refo KS/LS, Foam): lami / arg / 80/70 (DS 090 DS/DS) 3/4" IG											
	0.264	0.345	0.117					ARG90	0.095(#3)	CL	TS-D	G,S
	U-Factor 0.32			SHGC (<1) 0.44				VT (<1) 0.54			CR	54
	148.294 / Opt 3 (INN Refo KS/LS, Foam): 80/70 / arg / lami (DS/DS 090 DS) 3/4" IG											
	0.117	0.345	0.264					ARG90	0.095(#2)	CL	TS-D	G,S
	U-Factor 0.32			SHGC (<1) 0.45				VT (<1) 0.54			CR	54
2023	148.294 / Opt 3 (INN Refo KS/LS, Foam): 80/70 / arg / clr / arg / 80/70 (SS/SS/SS) 3/4" IG											
	0.090	0.250	0.090	0.250	0.090			ARG90	0.095(#2) / 0.095(#5)	CL	TS-D	N,S
	U-Factor 0.25			SHGC (N / <1) 0.45 / 0.41				VT (N / <1) 0.56 / 0.50			CR	62
2024	148.294 / Opt 3 (INN Refo KS/LS, Foam): 80/70 / arg / clr / arg / 80/70 (SS/SS/SS) 3/4" IG											
	0.090	0.250	0.090	0.250	0.090			ARG90	0.095(#2) / 0.095(#5)	CL	TS-D	G,S
	U-Factor 0.26			SHGC (<1) 0.41				VT (<1) 0.50			CR	62
2025	148.294 / Opt 4 (INN Refo KS/LS/S, Foam): clr / air / clr (SS/SS) 3/4" IG											
	0.087	0.563	0.087					AIR		CL	P1-S	N,G,S
	U-Factor 0.44			SHGC (N / <1) 0.61 / 0.54				VT (N / <1) 0.63 / 0.56			CR	46
2026	148.294 / Opt 4 (INN Refo KS/LS/S, Foam): clr / air / clr (DS/DS) 3/4" IG											
	0.118	0.500	0.118					AIR		CL	P1-S	N,G,S
	U-Factor 0.44			SHGC (N / <1) 0.59 / 0.53				VT (N / <1) 0.62 / 0.56			CR	45
2027	148.294 / Opt 4 (INN Refo KS/LS/S, Foam): clr / air / clr (5mm/DS) 3/4" IG											
	0.185	0.438	0.118					AIR		CL	P1-S	N,G,S
	U-Factor 0.44			SHGC (N / <1) 0.57 / 0.51				VT (N / <1) 0.62 / 0.55			CR	45
2028	148.294 / Opt 4 (INN Refo KS/LS/S, Foam): clr / air / clr (5mm/DS) 3/4" IG											
	0.185	0.438	0.118					AIR		CL	P1-S	G
	U-Factor 0.44			SHGC (<1) 0.51				VT (<1) 0.55			CR	45

NFRC 100/200/500 Summary Sheet
Windgate/Belmont/Hawthorne 2-Lite Slider

ID	Pane Thickness 1	Gap Width 1	Pane Thickness 2	Gap Width 2	Pane Thickness 3	Gap Width 3	Pane Thickness 4	Gap Fill	Low-e (Surface#)	Tint	Spacer	Grid Type
	U-Factor			Solar Heat Gain Coefficient (SHGC) Grids (None / <1 / >=1)				Visible Transmittance (VT) Grids (None / <1 / >=1)				
2029	148.294 / Opt 4 (INN Refo KS/LS/S, Foam): lami / air / clr (DS 090 DS/DS) 3/4" IG											
	0.264	0.345	0.118					AIR		CL	P1-S	N,S
	U-Factor 0.45			SHGC (N / <1) 0.55 / 0.49				VT (N / <1) 0.61 / 0.55		CR 44		
	148.294 / Opt 4 (INN Refo KS/LS/S, Foam): clr / air / lami (DS/DS 090 DS) 3/4" IG											
	0.118	0.345	0.264					AIR		CL	P1-S	N,S
	U-Factor 0.45			SHGC (N / <1) 0.57 / 0.51				VT (N / <1) 0.61 / 0.55		CR 44		
2030	148.294 / Opt 4 (INN Refo KS/LS/S, Foam): lami / air / clr (DS 090 DS/DS) 3/4" IG											
	0.264	0.345	0.118					AIR		CL	P1-S	G,S
	U-Factor 0.46			SHGC (<1) 0.49				VT (<1) 0.55		CR 44		
	148.294 / Opt 4 (INN Refo KS/LS/S, Foam): clr / air / lami (DS/DS 090 DS) 3/4" IG											
	0.118	0.345	0.264					AIR		CL	P1-S	G,S
	U-Factor 0.46			SHGC (<1) 0.51				VT (<1) 0.55		CR 44		
2031	148.294 / Opt 4 (INN Refo KS/LS/S, Foam): clr / air / clr / air / clr (SS/SS/SS) 3/4" IG (P1-S)											
	0.087	0.250	0.087	0.250	0.087			AIR		CL	P1-S	N,S
	U-Factor 0.36			SHGC (N / <1) 0.55 / 0.49				VT (N / <1) 0.58 / 0.52		CR 53		
2032	148.294 / Opt 4 (INN Refo KS/LS/S, Foam): clr / air / clr / air / clr (SS/SS/SS) 3/4" IG (P1-S)											
	0.087	0.250	0.087	0.250	0.087			AIR		CL	P1-S	G,S
	U-Factor 0.37			SHGC (<1) 0.49				VT (<1) 0.52		CR 53		
2033	148.294 / Opt 4 (INN Refo KS/LS/S, Foam): E270 / air / clr (SS/SS) 3/4" IG											
	0.087	0.563	0.087					AIR	0.037(#2)	CL	P1-S	N,G,S
	U-Factor 0.30			SHGC (N / <1) 0.29 / 0.26				VT (N / <1) 0.54 / 0.48		CR 59		
	148.294 / Opt 4 (INN Refo KS/LS/S, Foam): clr / air / E270 (SS/SS) 3/4" IG											
	0.087	0.563	0.087					AIR	0.037(#3)	CL	P1-S	N,G,S
	U-Factor 0.30			SHGC (N / <1) 0.35 / 0.32				VT (N / <1) 0.54 / 0.48		CR 59		
2034	148.294 / Opt 4 (INN Refo KS/LS/S, Foam): E270 / arg / clr (SS/SS) 3/4" IG											
	0.087	0.563	0.087					ARG90	0.037(#2)	CL	P1-S	N,G,S
	U-Factor 0.26			SHGC (N / <1) 0.28 / 0.26				VT (N / <1) 0.54 / 0.48		CR 62		
	148.294 / Opt 4 (INN Refo KS/LS/S, Foam): clr / arg / E270 (SS/SS) 3/4" IG											
	0.087	0.563	0.087					ARG90	0.037(#3)	CL	P1-S	N,G,S
	U-Factor 0.26			SHGC (N / <1) 0.36 / 0.32				VT (N / <1) 0.54 / 0.48		CR 62		

NFRC 100/200/500 Summary Sheet
Windgate/Belmont/Hawthorne 2-Lite Slider

ID	Pane Thickness 1	Gap Width 1	Pane Thickness 2	Gap Width 2	Pane Thickness 3	Gap Width 3	Pane Thickness 4	Gap Fill	Low-e (Surface#)	Tint	Spacer	Grid Type
	U-Factor			Solar Heat Gain Coefficient (SHGC) Grids (None / <1 / >=1)				Visible Transmittance (VT) Grids (None / <1 / >=1)			Condensation Resistance	
2035	148.294 / Opt 4 (INN Refo KS/LS/S, Foam): E270 / air / clr (DS/DS) 3/4" IG											
	0.118	0.500	0.118					AIR	0.037(#2)	CL	P1-S	N,G,S
	U-Factor 0.30			SHGC (N / <1) 0.29 / 0.26				VT (N / <1) 0.53 / 0.47			CR	58
	148.294 / Opt 4 (INN Refo KS/LS/S, Foam): clr / air / E270 (DS/DS) 3/4" IG											
	0.118	0.500	0.118					AIR	0.037(#3)	CL	P1-S	N,G,S
	U-Factor 0.30			SHGC (N / <1) 0.35 / 0.31				VT (N / <1) 0.53 / 0.47			CR	58
2036	148.294 / Opt 4 (INN Refo KS/LS/S, Foam): E270 / arg / clr (DS/DS) 3/4" IG											
	0.118	0.500	0.118					ARG90	0.037(#2)	CL	P1-S	N,G,S
	U-Factor 0.26			SHGC (N / <1) 0.28 / 0.25				VT (N / <1) 0.53 / 0.47			CR	62
	148.294 / Opt 4 (INN Refo KS/LS/S, Foam): clr / arg / E270 (DS/DS) 3/4" IG											
	0.118	0.500	0.118					ARG90	0.037(#3)	CL	P1-S	N,G,S
	U-Factor 0.26			SHGC (N / <1) 0.35 / 0.32				VT (N / <1) 0.53 / 0.47			CR	62
2037	148.294 / Opt 4 (INN Refo KS/LS/S, Foam): lami / arg / E270 (DS 090 DS/DS) 3/4" IG											
	0.264	0.345	0.118					ARG90	0.037(#3)	CL	P1-S	N,S
	U-Factor 0.28			SHGC (N / <1) 0.33 / 0.30				VT (N / <1) 0.52 / 0.47			CR	59
	148.294 / Opt 4 (INN Refo KS/LS/S, Foam): E270 / arg / lami (DS/DS 090 DS) 3/4" IG											
	0.118	0.345	0.264					ARG90	0.037(#2)	CL	P1-S	N,S
	U-Factor 0.28			SHGC (N / <1) 0.28 / 0.25				VT (N / <1) 0.52 / 0.47			CR	59
2038	148.294 / Opt 4 (INN Refo KS/LS/S, Foam): lami / arg / E270 (DS 090 DS/DS) 3/4" IG											
	0.264	0.345	0.118					ARG90	0.037(#3)	CL	P1-S	G,S
	U-Factor 0.30			SHGC (<1) 0.30				VT (<1) 0.47			CR	59
	148.294 / Opt 4 (INN Refo KS/LS/S, Foam): E270 / arg / lami (DS/DS 090 DS) 3/4" IG											
	0.118	0.345	0.264					ARG90	0.037(#2)	CL	P1-S	G,S
	U-Factor 0.30			SHGC (<1) 0.25				VT (<1) 0.47			CR	59
2039	148.294 / Opt 4 (INN Refo KS/LS/S, Foam): E270 / arg / clr / arg / E270 (SS/SS/SS) 3/4" IG (P1-S)											
	0.087	0.250	0.087	0.250	0.087			ARG90	0.037(#2) / 0.037(#5)	CL	P1-S	N,S
	U-Factor 0.23			SHGC (N / <1) 0.24 / 0.22				VT (N / <1) 0.42 / 0.37			CR	68
2040	148.294 / Opt 4 (INN Refo KS/LS/S, Foam): E270 / arg / clr / arg / E270 (SS/SS/SS) 3/4" IG (P1-S)											
	0.087	0.250	0.087	0.250	0.087			ARG90	0.037(#2) / 0.037(#5)	CL	P1-S	G,S
	U-Factor 0.23			SHGC (<1) 0.22				VT (<1) 0.37			CR	68

NFRC 100/200/500 Summary Sheet
Windgate/Belmont/Hawthorne 2-Lite Slider

ID	Pane Thickness 1	Gap Width 1	Pane Thickness 2	Gap Width 2	Pane Thickness 3	Gap Width 3	Pane Thickness 4	Gap Fill	Low-e (Surface#)	Tint	Spacer	Grid Type
	U-Factor			Solar Heat Gain Coefficient (SHGC) Grids (None / <1 / >=1)				Visible Transmittance (VT) Grids (None / <1 / >=1)			Condensation Resistance	
2041	148.294 / Opt 4 (INN Refo KS/LS/S, Foam): E366 / air / clr (SS/SS) 3/4" IG											
	0.087	0.563	0.087					AIR	0.022(#2)	CL	P1-S	N,G,S
	U-Factor 0.30			SHGC (N / <1) 0.21 / 0.19				VT (N / <1) 0.50 / 0.44			CR 59	
	148.294 / Opt 4 (INN Refo KS/LS/S, Foam): clr / air / E366 (SS/SS) 3/4" IG											
	0.087	0.563	0.087					AIR	0.022(#3)	CL	P1-S	N,G,S
	U-Factor 0.30			SHGC (N / <1) 0.30 / 0.27				VT (N / <1) 0.50 / 0.44			CR 59	
2042	148.294 / Opt 4 (INN Refo KS/LS/S, Foam): E366 / arg / clr (SS/SS) 3/4" IG											
	0.087	0.563	0.087					ARG90	0.022(#2)	CL	P1-S	N,G,S
	U-Factor 0.26			SHGC (N / <1) 0.21 / 0.19				VT (N / <1) 0.50 / 0.44			CR 63	
	148.294 / Opt 4 (INN Refo KS/LS/S, Foam): clr / arg / E366 (SS/SS) 3/4" IG											
	0.087	0.563	0.087					ARG90	0.022(#3)	CL	P1-S	N,G,S
	U-Factor 0.26			SHGC (N / <1) 0.30 / 0.27				VT (N / <1) 0.50 / 0.44			CR 63	
2043	148.294 / Opt 4 (INN Refo KS/LS/S, Foam): E366 / air / clr (DS/DS) 3/4" IG											
	0.117	0.500	0.118					AIR	0.022(#2)	CL	P1-S	N,G,S
	U-Factor 0.29			SHGC (N / <1) 0.21 / 0.19				VT (N / <1) 0.49 / 0.44			CR 58	
	148.294 / Opt 4 (INN Refo KS/LS/S, Foam): clr / air / E366 (DS/DS) 3/4" IG											
	0.118	0.500	0.117					AIR	0.022(#3)	CL	P1-S	N,G,S
	U-Factor 0.29			SHGC (N / <1) 0.29 / 0.27				VT (N / <1) 0.49 / 0.44			CR 58	
2044	148.294 / Opt 4 (INN Refo KS/LS/S, Foam): E366 / arg / clr (DS/DS) 3/4" IG											
	0.117	0.500	0.118					ARG90	0.022(#2)	CL	P1-S	N,G,S
	U-Factor 0.26			SHGC (N / <1) 0.21 / 0.19				VT (N / <1) 0.49 / 0.44			CR 62	
	148.294 / Opt 4 (INN Refo KS/LS/S, Foam): clr / arg / E366 (DS/DS) 3/4" IG											
	0.118	0.500	0.117					ARG90	0.022(#3)	CL	P1-S	N,G,S
	U-Factor 0.26			SHGC (N / <1) 0.30 / 0.27				VT (N / <1) 0.49 / 0.44			CR 62	
2045	148.294 / Opt 4 (INN Refo KS/LS/S, Foam): lami / arg / E366 (DS 090 DS/DS) 3/4" IG											
	0.264	0.345	0.117					ARG90	0.022(#3)	CL	P1-S	N,S
	U-Factor 0.28			SHGC (N / <1) 0.29 / 0.26				VT (N / <1) 0.48 / 0.43			CR 60	
	148.294 / Opt 4 (INN Refo KS/LS/S, Foam): E366 / arg / lami (DS/DS 090 DS) 3/4" IG											
	0.117	0.345	0.264					ARG90	0.022(#2)	CL	P1-S	N,S
	U-Factor 0.28			SHGC (N / <1) 0.21 / 0.19				VT (N / <1) 0.48 / 0.43			CR 60	

NFRC 100/200/500 Summary Sheet
Windgate/Belmont/Hawthorne 2-Lite Slider

ID	Pane Thickness 1	Gap Width 1	Pane Thickness 2	Gap Width 2	Pane Thickness 3	Gap Width 3	Pane Thickness 4	Gap Fill	Low-e (Surface#)	Tint	Spacer	Grid Type
	U-Factor			Solar Heat Gain Coefficient (SHGC) Grids (None / <1 / >=1)				Visible Transmittance (VT) Grids (None / <1 / >=1)			Condensation Resistance	
2046	148.294 / Opt 4 (INN Refo KS/LS/S, Foam): lami / arg / E366 (DS 090 DS/DS) 3/4" IG											
	0.264	0.345	0.117					ARG90	0.022(#3)	CL	P1-S	G,S
	U-Factor 0.29			SHGC (<1) 0.26				VT (<1) 0.43			CR 60	
	148.294 / Opt 4 (INN Refo KS/LS/S, Foam): E366 / arg / lami (DS/DS 090 DS) 3/4" IG											
	0.117	0.345	0.264					ARG90	0.022(#2)	CL	P1-S	G,S
	U-Factor 0.29			SHGC (<1) 0.19				VT (<1) 0.43			CR 60	
2047	148.294 / Opt 4 (INN Refo KS/LS/S, Foam): E366 / arg / clr / arg / E366 (SS/SS/SS) 3/4" IG (P1-S)											
	0.087	0.250	0.087	0.250	0.087			ARG90	0.022(#2) / 0.022(#5)	CL	P1-S	N,S
	U-Factor 0.22			SHGC (N / <1) 0.19 / 0.17				VT (N / <1) 0.36 / 0.32			CR 68	
2048	148.294 / Opt 4 (INN Refo KS/LS/S, Foam): E366 / arg / clr / arg / E366 (SS/SS/SS) 3/4" IG (P1-S)											
	0.087	0.250	0.087	0.250	0.087			ARG90	0.022(#2) / 0.022(#5)	CL	P1-S	G,S
	U-Factor 0.23			SHGC (<1) 0.17				VT (<1) 0.32			CR 68	
2049	148.294 / Opt 4 (INN Refo KS/LS/S, Foam): 70/36 / air / clr (SS/SS) 3/4" IG											
	0.090	0.563	0.090					AIR	0.036(#2)	CL	P1-S	N,G,S
	U-Factor 0.30			SHGC (N / <1) 0.30 / 0.27				VT (N / <1) 0.54 / 0.48			CR 59	
	148.294 / Opt 4 (INN Refo KS/LS/S, Foam): clr / air / 70/36 (SS/SS) 3/4" IG											
	0.090	0.563	0.090					AIR	0.036(#3)	CL	P1-S	N,G,S
	U-Factor 0.30			SHGC (N / <1) 0.37 / 0.33				VT (N / <1) 0.54 / 0.48			CR 59	
2050	148.294 / Opt 4 (INN Refo KS/LS/S, Foam): 70/36 / arg / clr (SS/SS) 3/4" IG											
	0.090	0.563	0.090					ARG90	0.036(#2)	CL	P1-S	N,G,S
	U-Factor 0.26			SHGC (N / <1) 0.30 / 0.27				VT (N / <1) 0.54 / 0.48			CR 62	
	148.294 / Opt 4 (INN Refo KS/LS/S, Foam): clr / arg / 70/36 (SS/SS) 3/4" IG											
	0.090	0.563	0.090					ARG90	0.036(#3)	CL	P1-S	N,G,S
	U-Factor 0.26			SHGC (N / <1) 0.38 / 0.34				VT (N / <1) 0.54 / 0.48			CR 62	
2051	148.294 / Opt 4 (INN Refo KS/LS/S, Foam): 70/36 / air / clr (DS/DS) 3/4" IG											
	0.117	0.500	0.117					AIR	0.036(#2)	CL	P1-S	N,G,S
	U-Factor 0.30			SHGC (N / <1) 0.30 / 0.27				VT (N / <1) 0.53 / 0.47			CR 58	
	148.294 / Opt 4 (INN Refo KS/LS/S, Foam): clr / air / 70/36 (DS/DS) 3/4" IG											
	0.117	0.500	0.117					AIR	0.036(#3)	CL	P1-S	N,G,S
	U-Factor 0.30			SHGC (N / <1) 0.37 / 0.33				VT (N / <1) 0.53 / 0.47			CR 58	

NFRC 100/200/500 Summary Sheet
Windgate/Belmont/Hawthorne 2-Lite Slider

ID	Pane Thickness 1	Gap Width 1	Pane Thickness 2	Gap Width 2	Pane Thickness 3	Gap Width 3	Pane Thickness 4	Gap Fill	Low-e (Surface#)	Tint	Spacer	Grid Type
	U-Factor			Solar Heat Gain Coefficient (SHGC) Grids (None / <1 / >=1)				Visible Transmittance (VT) Grids (None / <1 / >=1)			Condensation Resistance	
2052	148.294 / Opt 4 (INN Refo KS/LS/S, Foam): 70/36 / arg / clr (DS/DS) 3/4" IG											
	0.117	0.500	0.117					ARG90	0.036(#2)	CL	P1-S	N,G,S
	U-Factor 0.26			SHGC (N / <1) 0.29 / 0.27				VT (N / <1) 0.53 / 0.47			CR 62	
	148.294 / Opt 4 (INN Refo KS/LS/S, Foam): clr / arg / 70/36 (DS/DS) 3/4" IG											
	0.117	0.500	0.117					ARG90	0.036(#3)	CL	P1-S	N,G,S
	U-Factor 0.26			SHGC (N / <1) 0.37 / 0.33				VT (N / <1) 0.53 / 0.47			CR 62	
2053	148.294 / Opt 4 (INN Refo KS/LS/S, Foam): lami / arg / 70/36 (DS 090 DS/DS) 3/4" IG											
	0.264	0.345	0.117					ARG90	0.036(#3)	CL	P1-S	N,S
	U-Factor 0.28			SHGC (N / <1) 0.35 / 0.32				VT (N / <1) 0.52 / 0.47			CR 59	
	148.294 / Opt 4 (INN Refo KS/LS/S, Foam): 70/36 / arg / lami (DS/DS 090 DS) 3/4" IG											
	0.117	0.345	0.264					ARG90	0.036(#2)	CL	P1-S	N,S
	U-Factor 0.28			SHGC (N / <1) 0.29 / 0.26				VT (N / <1) 0.52 / 0.47			CR 59	
2054	148.294 / Opt 4 (INN Refo KS/LS/S, Foam): lami / arg / 70/36 (DS 090 DS/DS) 3/4" IG											
	0.264	0.345	0.117					ARG90	0.036(#3)	CL	P1-S	G,S
	U-Factor 0.30			SHGC (<1) 0.32				VT (<1) 0.47			CR 59	
	148.294 / Opt 4 (INN Refo KS/LS/S, Foam): 70/36 / arg / lami (DS/DS 090 DS) 3/4" IG											
	0.117	0.345	0.264					ARG90	0.036(#2)	CL	P1-S	G,S
	U-Factor 0.30			SHGC (<1) 0.26				VT (<1) 0.47			CR 59	
2055	148.294 / Opt 4 (INN Refo KS/LS/S, Foam): 70/36 / arg / clr / arg / 70/36 (SS/SS/SS) 3/4" IG											
	0.090	0.250	0.090	0.250	0.090			ARG90	0.036(#2) / 0.036(#5)	CL	P1-S	N,S
	U-Factor 0.22			SHGC (N / <1) 0.26 / 0.23				VT (N / <1) 0.42 / 0.37			CR 68	
2056	148.294 / Opt 4 (INN Refo KS/LS/S, Foam): 70/36 / arg / clr / arg / 70/36 (SS/SS/SS) 3/4" IG											
	0.090	0.250	0.090	0.250	0.090			ARG90	0.036(#2) / 0.036(#5)	CL	P1-S	G,S
	U-Factor 0.23			SHGC (<1) 0.23				VT (<1) 0.37			CR 68	
2057	148.294 / Opt 4 (INN Refo KS/LS/S, Foam): 80/70 / air / clr (SS/SS) 3/4" IG											
	0.090	0.563	0.090					AIR	0.095(#2)	CL	P1-S	N,G,S
	U-Factor 0.31			SHGC (N / <1) 0.51 / 0.46				VT (N / <1) 0.62 / 0.55			CR 57	
	148.294 / Opt 4 (INN Refo KS/LS/S, Foam): clr / air / 80/70 (SS/SS) 3/4" IG											
	0.090	0.563	0.090					AIR	0.095(#3)	CL	P1-S	N,G,S
	U-Factor 0.31			SHGC (N / <1) 0.54 / 0.49				VT (N / <1) 0.62 / 0.55			CR 57	

**NFRC 100/200/500 Summary Sheet
Windgate/Belmont/Hawthorne 2-Lite Slider**

ID	Pane Thickness 1	Gap Width 1	Pane Thickness 2	Gap Width 2	Pane Thickness 3	Gap Width 3	Pane Thickness 4	Gap Width 4	Gap Fill	Low-e (Surface#)	Tint	Spacer	Grid Type
	U-Factor			Solar Heat Gain Coefficient (SHGC) Grids (None / <1 / >=1)					Visible Transmittance (VT) Grids (None / <1 / >=1)			Condensation Resistance	
2058	148.294 / Opt 4 (INN Refo KS/LS/S, Foam): 80/70 / arg / clr (SS/SS) 3/4" IG												
	0.090	0.563	0.090						ARG90	0.095(#2)	CL	P1-S	N,G,S
	U-Factor 0.28			SHGC (N / <1) 0.51 / 0.46					VT (N / <1) 0.62 / 0.55			CR	61
	148.294 / Opt 4 (INN Refo KS/LS/S, Foam): clr / arg / 80/70 (SS/SS) 3/4" IG												
	0.090	0.563	0.090						ARG90	0.095(#3)	CL	P1-S	N,G,S
	U-Factor 0.28			SHGC (N / <1) 0.54 / 0.49					VT (N / <1) 0.62 / 0.55			CR	61
2059	148.294 / Opt 4 (INN Refo KS/LS/S, Foam): 80/70 / air / clr (DS/DS) 3/4" IG												
	0.117	0.500	0.117						AIR	0.095(#2)	CL	P1-S	N,G,S
	U-Factor 0.31			SHGC (N / <1) 0.51 / 0.45					VT (N / <1) 0.61 / 0.55			CR	56
	148.294 / Opt 4 (INN Refo KS/LS/S, Foam): clr / air / 80/70 (DS/DS) 3/4" IG												
	0.117	0.500	0.117						AIR	0.095(#3)	CL	P1-S	N,G,S
	U-Factor 0.31			SHGC (N / <1) 0.53 / 0.48					VT (N / <1) 0.61 / 0.55			CR	56
2060	148.294 / Opt 4 (INN Refo KS/LS/S, Foam): 80/70 / arg / clr (DS/DS) 3/4" IG												
	0.117	0.500	0.117						ARG90	0.095(#2)	CL	P1-S	N,G,S
	U-Factor 0.28			SHGC (N / <1) 0.51 / 0.45					VT (N / <1) 0.61 / 0.55			CR	60
	148.294 / Opt 4 (INN Refo KS/LS/S, Foam): clr / arg / 80/70 (DS/DS) 3/4" IG												
	0.117	0.500	0.117						ARG90	0.095(#3)	CL	P1-S	N,G,S
	U-Factor 0.28			SHGC (N / <1) 0.54 / 0.48					VT (N / <1) 0.61 / 0.55			CR	60
2061	148.294 / Opt 4 (INN Refo KS/LS/S, Foam): lami / arg / 80/70 (DS 090 DS/DS) 3/4" IG												
	0.264	0.345	0.117						ARG90	0.095(#3)	CL	P1-S	N,S
	U-Factor 0.30			SHGC (N / <1) 0.49 / 0.44					VT (N / <1) 0.60 / 0.54			CR	58
	148.294 / Opt 4 (INN Refo KS/LS/S, Foam): 80/70 / arg / lami (DS/DS 090 DS) 3/4" IG												
	0.117	0.345	0.264						ARG90	0.095(#2)	CL	P1-S	N,S
	U-Factor 0.30			SHGC (N / <1) 0.50 / 0.45					VT (N / <1) 0.60 / 0.54			CR	58
2062	148.294 / Opt 4 (INN Refo KS/LS/S, Foam): lami / arg / 80/70 (DS 090 DS/DS) 3/4" IG												
	0.264	0.345	0.117						ARG90	0.095(#3)	CL	P1-S	G,S
	U-Factor 0.31			SHGC (<1) 0.44					VT (<1) 0.54			CR	58
	148.294 / Opt 4 (INN Refo KS/LS/S, Foam): 80/70 / arg / lami (DS/DS 090 DS) 3/4" IG												
	0.117	0.345	0.264						ARG90	0.095(#2)	CL	P1-S	G,S
	U-Factor 0.31			SHGC (<1) 0.45					VT (<1) 0.54			CR	58

**NFRC 100/200/500 Summary Sheet
Windgate/Belmont/Hawthorne 2-Lite Slider**

ID	Pane Thickness 1	Gap Width 1	Pane Thickness 2	Gap Width 2	Pane Thickness 3	Gap Width 3	Pane Thickness 4	Gap Fill	Low-e (Surface#)	Tint	Spacer	Grid Type
	U-Factor			Solar Heat Gain Coefficient (SHGC) Grids (None / <1 / >=1)				Visible Transmittance (VT) Grids (None / <1 / >=1)			Condensation Resistance	
2063	148.294 / Opt 4 (INN Refo KS/LS/S, Foam): 80/70 / arg / clr / arg / 80/70 (SS/SS/SS) 3/4" IG											
	0.090	0.250	0.090	0.250	0.090			ARG90	0.095(#2) / 0.095(#5)		CL	P1-S, N,S
	U-Factor 0.24			SHGC (N / <1) 0.45 / 0.41				VT (N / <1) 0.56 / 0.50			CR 66	
2064	148.294 / Opt 4 (INN Refo KS/LS/S, Foam): 80/70 / arg / clr / arg / 80/70 (SS/SS/SS) 3/4" IG											
	0.090	0.250	0.090	0.250	0.090			ARG90	0.095(#2) / 0.095(#5)		CL	P1-S, G,S
	U-Factor 0.24			SHGC (<1) 0.41				VT (<1) 0.50			CR 66	
2065	148.294 / Opt 4 (INN Refo KS/LS/S, Foam): clr / air / clr (SS/SS) 3/4" IG											
	0.087	0.563	0.087					AIR		CL	SS-D	N,G,S
	U-Factor 0.44			SHGC (N / <1) 0.61 / 0.54				VT (N / <1) 0.63 / 0.56			CR 44	
2066	148.294 / Opt 4 (INN Refo KS/LS/S, Foam): clr / air / clr (DS/DS) 3/4" IG											
	0.118	0.500	0.118					AIR		CL	SS-D	N,G,S
	U-Factor 0.44			SHGC (N / <1) 0.59 / 0.53				VT (N / <1) 0.62 / 0.56			CR 44	
2067	148.294 / Opt 4 (INN Refo KS/LS/S, Foam): clr / air / clr (5mm/DS) 3/4" IG											
	0.185	0.438	0.118					AIR		CL	SS-D	N,G,S
	U-Factor 0.45			SHGC (N / <1) 0.57 / 0.51				VT (N / <1) 0.62 / 0.55			CR 44	
2068	148.294 / Opt 4 (INN Refo KS/LS/S, Foam): clr / air / clr (5mm/DS) 3/4" IG											
	0.185	0.438	0.118					AIR		CL	SS-D	G
	U-Factor 0.45			SHGC (<1) 0.51				VT (<1) 0.55			CR 44	
2069	148.294 / Opt 4 (INN Refo KS/LS/S, Foam): lami / air / clr (DS 090 DS/DS) 3/4" IG											
	0.264	0.345	0.118					AIR		CL	SS-D	N,S
	U-Factor 0.46			SHGC (N / <1) 0.55 / 0.49				VT (N / <1) 0.61 / 0.55			CR 42	
	148.294 / Opt 4 (INN Refo KS/LS/S, Foam): clr / air / lami (DS/DS 090 DS) 3/4" IG											
	0.118	0.345	0.264					AIR		CL	SS-D	N,S
	U-Factor 0.46			SHGC (N / <1) 0.57 / 0.51				VT (N / <1) 0.61 / 0.55			CR 42	
2070	148.294 / Opt 4 (INN Refo KS/LS/S, Foam): lami / air / clr (DS 090 DS/DS) 3/4" IG											
	0.264	0.345	0.118					AIR		CL	SS-D	G,S
	U-Factor 0.47			SHGC (<1) 0.49				VT (<1) 0.55			CR 42	
	148.294 / Opt 4 (INN Refo KS/LS/S, Foam): clr / air / lami (DS/DS 090 DS) 3/4" IG											
	0.118	0.345	0.264					AIR		CL	SS-D	G,S
	U-Factor 0.47			SHGC (<1) 0.51				VT (<1) 0.55			CR 42	

**NFRC 100/200/500 Summary Sheet
Windgate/Belmont/Hawthorne 2-Lite Slider**

ID	Pane Thickness 1	Gap Width 1	Pane Thickness 2	Gap Width 2	Pane Thickness 3	Gap Width 3	Pane Thickness 4	Gap Width 4	Gap Fill	Low-e (Surface#)	Tint	Spacer	Grid Type
	U-Factor			Solar Heat Gain Coefficient (SHGC) Grids (None / <1 / >=1)					Visible Transmittance (VT) Grids (None / <1 / >=1)			Condensation Resistance	
2071	148.294 / Opt 4 (INN Refo KS/LS/S, Foam): clr / air / clr / air / clr (SS/SS/SS) 3/4" IG (P1-S)												
	0.087	0.250	0.087	0.250	0.087				AIR		CL	SS-D	N,S
	U-Factor 0.37			SHGC (N / <1) 0.55 / 0.49					VT (N / <1) 0.58 / 0.52			CR	52
2072	148.294 / Opt 4 (INN Refo KS/LS/S, Foam): clr / air / clr / air / clr (SS/SS/SS) 3/4" IG (P1-S)												
	0.087	0.250	0.087	0.250	0.087				AIR		CL	SS-D	G,S
	U-Factor 0.37			SHGC (<1) 0.49					VT (<1) 0.52			CR	52
2073	148.294 / Opt 4 (INN Refo KS/LS/S, Foam): E270 / air / clr (SS/SS) 3/4" IG												
	0.087	0.563	0.087						AIR	0.037(#2)	CL	SS-D	N,G,S
	U-Factor 0.31			SHGC (N / <1) 0.29 / 0.26					VT (N / <1) 0.54 / 0.48			CR	56
	148.294 / Opt 4 (INN Refo KS/LS/S, Foam): clr / air / E270 (SS/SS) 3/4" IG												
	0.087	0.563	0.087						AIR	0.037(#3)	CL	SS-D	N,G,S
	U-Factor 0.31			SHGC (N / <1) 0.35 / 0.32					VT (N / <1) 0.54 / 0.48			CR	56
2074	148.294 / Opt 4 (INN Refo KS/LS/S, Foam): E270 / arg / clr (SS/SS) 3/4" IG												
	0.087	0.563	0.087						ARG90	0.037(#2)	CL	SS-D	N,G,S
	U-Factor 0.28			SHGC (N / <1) 0.28 / 0.26					VT (N / <1) 0.54 / 0.48			CR	59
	148.294 / Opt 4 (INN Refo KS/LS/S, Foam): clr / arg / E270 (SS/SS) 3/4" IG												
	0.087	0.563	0.087						ARG90	0.037(#3)	CL	SS-D	N,G,S
	U-Factor 0.28			SHGC (N / <1) 0.36 / 0.32					VT (N / <1) 0.54 / 0.48			CR	59
2075	148.294 / Opt 4 (INN Refo KS/LS/S, Foam): E270 / air / clr (DS/DS) 3/4" IG												
	0.118	0.500	0.118						AIR	0.037(#2)	CL	SS-D	N,G,S
	U-Factor 0.31			SHGC (N / <1) 0.29 / 0.26					VT (N / <1) 0.53 / 0.47			CR	55
	148.294 / Opt 4 (INN Refo KS/LS/S, Foam): clr / air / E270 (DS/DS) 3/4" IG												
	0.118	0.500	0.118						AIR	0.037(#3)	CL	SS-D	N,G,S
	U-Factor 0.31			SHGC (N / <1) 0.35 / 0.31					VT (N / <1) 0.53 / 0.47			CR	55
2076	148.294 / Opt 4 (INN Refo KS/LS/S, Foam): E270 / arg / clr (DS/DS) 3/4" IG												
	0.118	0.500	0.118						ARG90	0.037(#2)	CL	SS-D	N,G,S
	U-Factor 0.27			SHGC (N / <1) 0.28 / 0.25					VT (N / <1) 0.53 / 0.47			CR	58
	148.294 / Opt 4 (INN Refo KS/LS/S, Foam): clr / arg / E270 (DS/DS) 3/4" IG												
	0.118	0.500	0.118						ARG90	0.037(#3)	CL	SS-D	N,G,S
	U-Factor 0.27			SHGC (N / <1) 0.35 / 0.32					VT (N / <1) 0.53 / 0.47			CR	58

NFRC 100/200/500 Summary Sheet
Windgate/Belmont/Hawthorne 2-Lite Slider

ID	Pane Thickness 1	Gap Width 1	Pane Thickness 2	Gap Width 2	Pane Thickness 3	Gap Width 3	Pane Thickness 4	Gap Fill	Low-e (Surface#)	Tint	Spacer	Grid Type
	U-Factor			Solar Heat Gain Coefficient (SHGC) Grids (None / <1 / >=1)				Visible Transmittance (VT) Grids (None / <1 / >=1)			Condensation Resistance	
2077	148.294 / Opt 4 (INN Refo KS/LS/S, Foam): lami / arg / E270 (DS 090 DS/DS) 3/4" IG											
	0.264	0.345	0.118					ARG90	0.037(#3)	CL	SS-D	N,S
	U-Factor 0.29			SHGC (N / <1) 0.33 / 0.30				VT (N / <1) 0.52 / 0.47			CR 56	
	148.294 / Opt 4 (INN Refo KS/LS/S, Foam): E270 / arg / lami (DS/DS 090 DS) 3/4" IG											
	0.118	0.345	0.264					ARG90	0.037(#2)	CL	SS-D	N,S
	U-Factor 0.29			SHGC (N / <1) 0.28 / 0.25				VT (N / <1) 0.52 / 0.47			CR 56	
2078	148.294 / Opt 4 (INN Refo KS/LS/S, Foam): lami / arg / E270 (DS 090 DS/DS) 3/4" IG											
	0.264	0.345	0.118					ARG90	0.037(#3)	CL	SS-D	G,S
	U-Factor 0.30			SHGC (<1) 0.30				VT (<1) 0.47			CR 56	
	148.294 / Opt 4 (INN Refo KS/LS/S, Foam): E270 / arg / lami (DS/DS 090 DS) 3/4" IG											
	0.118	0.345	0.264					ARG90	0.037(#2)	CL	SS-D	G,S
	U-Factor 0.30			SHGC (<1) 0.25				VT (<1) 0.47			CR 56	
2079	148.294 / Opt 4 (INN Refo KS/LS/S, Foam): E270 / arg / clr / arg / E270 (SS/SS/SS) 3/4" IG (SS-D)											
	0.087	0.266	0.087	0.266	0.087			ARG90	0.037(#2) / 0.037(#5)	CL	SS-D	N,S
	U-Factor 0.23			SHGC (N / <1) 0.24 / 0.22				VT (N / <1) 0.42 / 0.37			CR 66	
2080	148.294 / Opt 4 (INN Refo KS/LS/S, Foam): E270 / arg / clr / arg / E270 (SS/SS/SS) 3/4" IG (SS-D)											
	0.087	0.266	0.087	0.266	0.087			ARG90	0.037(#2) / 0.037(#5)	CL	SS-D	G,S
	U-Factor 0.23			SHGC (<1) 0.22				VT (<1) 0.37			CR 66	
2081	148.294 / Opt 4 (INN Refo KS/LS/S, Foam): E366 / air / clr (SS/SS) 3/4" IG											
	0.087	0.563	0.087					AIR	0.022(#2)	CL	SS-D	N,G,S
	U-Factor 0.31			SHGC (N / <1) 0.21 / 0.19				VT (N / <1) 0.50 / 0.44			CR 56	
	148.294 / Opt 4 (INN Refo KS/LS/S, Foam): clr / air / E366 (SS/SS) 3/4" IG											
	0.087	0.563	0.087					AIR	0.022(#3)	CL	SS-D	N,G,S
	U-Factor 0.31			SHGC (N / <1) 0.30 / 0.27				VT (N / <1) 0.50 / 0.44			CR 56	
2082	148.294 / Opt 4 (INN Refo KS/LS/S, Foam): E366 / arg / clr (SS/SS) 3/4" IG											
	0.087	0.563	0.087					ARG90	0.022(#2)	CL	SS-D	N,G,S
	U-Factor 0.27			SHGC (N / <1) 0.21 / 0.19				VT (N / <1) 0.50 / 0.44			CR 59	
	148.294 / Opt 4 (INN Refo KS/LS/S, Foam): clr / arg / E366 (SS/SS) 3/4" IG											
	0.087	0.563	0.087					ARG90	0.022(#3)	CL	SS-D	N,G,S
	U-Factor 0.27			SHGC (N / <1) 0.30 / 0.27				VT (N / <1) 0.50 / 0.44			CR 59	

NFRC 100/200/500 Summary Sheet
Windgate/Belmont/Hawthorne 2-Lite Slider

ID	Pane Thickness 1	Gap Width 1	Pane Thickness 2	Gap Width 2	Pane Thickness 3	Gap Width 3	Pane Thickness 4	Gap Fill	Low-e (Surface#)	Tint	Spacer	Grid Type
	U-Factor			Solar Heat Gain Coefficient (SHGC) Grids (None / <1 / >=1)				Visible Transmittance (VT) Grids (None / <1 / >=1)			Condensation Resistance	
2083	148.294 / Opt 4 (INN Refo KS/LS/S, Foam): E366 / air / clr (DS/DS) 3/4" IG											
	0.117	0.500	0.118					AIR	0.022(#2)	CL	SS-D	N,G,S
	U-Factor 0.30			SHGC (N / <1) 0.21 / 0.19				VT (N / <1) 0.49 / 0.44			CR 55	
	148.294 / Opt 4 (INN Refo KS/LS/S, Foam): clr / air / E366 (DS/DS) 3/4" IG											
	0.118	0.500	0.117					AIR	0.022(#3)	CL	SS-D	N,G,S
	U-Factor 0.30			SHGC (N / <1) 0.29 / 0.27				VT (N / <1) 0.49 / 0.44			CR 55	
2084	148.294 / Opt 4 (INN Refo KS/LS/S, Foam): E366 / arg / clr (DS/DS) 3/4" IG											
	0.117	0.500	0.118					ARG90	0.022(#2)	CL	SS-D	N,G,S
	U-Factor 0.27			SHGC (N / <1) 0.21 / 0.19				VT (N / <1) 0.49 / 0.44			CR 59	
	148.294 / Opt 4 (INN Refo KS/LS/S, Foam): clr / arg / E366 (DS/DS) 3/4" IG											
	0.118	0.500	0.117					ARG90	0.022(#3)	CL	SS-D	N,G,S
	U-Factor 0.27			SHGC (N / <1) 0.30 / 0.27				VT (N / <1) 0.49 / 0.44			CR 59	
2085	148.294 / Opt 4 (INN Refo KS/LS/S, Foam): lami / arg / E366 (DS 090 DS/DS) 3/4" IG											
	0.264	0.345	0.117					ARG90	0.022(#3)	CL	SS-D	N,S
	U-Factor 0.29			SHGC (N / <1) 0.29 / 0.26				VT (N / <1) 0.48 / 0.43			CR 56	
	148.294 / Opt 4 (INN Refo KS/LS/S, Foam): E366 / arg / lami (DS/DS 090 DS) 3/4" IG											
	0.117	0.345	0.264					ARG90	0.022(#2)	CL	SS-D	N,S
	U-Factor 0.29			SHGC (N / <1) 0.21 / 0.19				VT (N / <1) 0.48 / 0.43			CR 56	
2086	148.294 / Opt 4 (INN Refo KS/LS/S, Foam): lami / arg / E366 (DS 090 DS/DS) 3/4" IG											
	0.264	0.345	0.117					ARG90	0.022(#3)	CL	SS-D	G,S
	U-Factor 0.30			SHGC (<1) 0.26				VT (<1) 0.43			CR 56	
	148.294 / Opt 4 (INN Refo KS/LS/S, Foam): E366 / arg / lami (DS/DS 090 DS) 3/4" IG											
	0.117	0.345	0.264					ARG90	0.022(#2)	CL	SS-D	G,S
	U-Factor 0.30			SHGC (<1) 0.19				VT (<1) 0.43			CR 56	
2087	148.294 / Opt 4 (INN Refo KS/LS/S, Foam): E366 / arg / clr / arg / E366 (SS/SS/SS) 3/4" IG (SS-D)											
	0.087	0.266	0.087	0.266	0.087			ARG90	0.022(#2) / 0.022(#5)	CL	SS-D	N,S
	U-Factor 0.22			SHGC (N / <1) 0.19 / 0.17				VT (N / <1) 0.36 / 0.32			CR 66	
2088	148.294 / Opt 4 (INN Refo KS/LS/S, Foam): E366 / arg / clr / arg / E366 (SS/SS/SS) 3/4" IG (SS-D)											
	0.087	0.266	0.087	0.266	0.087			ARG90	0.022(#2) / 0.022(#5)	CL	SS-D	G,S
	U-Factor 0.23			SHGC (<1) 0.17				VT (<1) 0.32			CR 66	

**NFRC 100/200/500 Summary Sheet
Windgate/Belmont/Hawthorne 2-Lite Slider**

ID	Pane Thickness 1	Gap Width 1	Pane Thickness 2	Gap Width 2	Pane Thickness 3	Gap Width 3	Pane Thickness 4	Gap Fill	Low-e (Surface#)	Tint	Spacer	Grid Type
	U-Factor			Solar Heat Gain Coefficient (SHGC) Grids (None / <1 / >=1)				Visible Transmittance (VT) Grids (None / <1 / >=1)			Condensation Resistance	
2089	148.294 / Opt 4 (INN Refo KS/LS/S, Foam): clr / air / clr (SS/SS) 3/4" IG											
	0.087	0.563	0.087					AIR		CL	TS-D	N,G,S
	U-Factor 0.44			SHGC (N / <1) 0.61 / 0.54				VT (N / <1) 0.63 / 0.56			CR 44	
2090	148.294 / Opt 4 (INN Refo KS/LS/S, Foam): clr / air / clr (DS/DS) 3/4" IG											
	0.118	0.500	0.118					AIR		CL	TS-D	N,G,S
	U-Factor 0.44			SHGC (N / <1) 0.59 / 0.53				VT (N / <1) 0.62 / 0.56			CR 43	
2091	148.294 / Opt 4 (INN Refo KS/LS/S, Foam): clr / air / clr (5mm/DS) 3/4" IG											
	0.185	0.438	0.118					AIR		CL	TS-D	N,G,S
	U-Factor 0.45			SHGC (N / <1) 0.57 / 0.51				VT (N / <1) 0.62 / 0.55			CR 43	
2092	148.294 / Opt 4 (INN Refo KS/LS/S, Foam): clr / air / clr (5mm/DS) 3/4" IG											
	0.185	0.438	0.118					AIR		CL	TS-D	G
	U-Factor 0.45			SHGC (<1) 0.51				VT (<1) 0.55			CR 43	
2093	148.294 / Opt 4 (INN Refo KS/LS/S, Foam): lami / air / clr (DS 090 DS/DS) 3/4" IG											
	0.264	0.345	0.118					AIR		CL	TS-D	N,S
	U-Factor 0.46			SHGC (N / <1) 0.55 / 0.49				VT (N / <1) 0.61 / 0.55			CR 42	
2094	148.294 / Opt 4 (INN Refo KS/LS/S, Foam): clr / air / lami (DS/DS 090 DS) 3/4" IG											
	0.118	0.345	0.264					AIR		CL	TS-D	N,S
	U-Factor 0.46			SHGC (N / <1) 0.57 / 0.51				VT (N / <1) 0.61 / 0.55			CR 42	
2094	148.294 / Opt 4 (INN Refo KS/LS/S, Foam): lami / air / clr (DS 090 DS/DS) 3/4" IG											
	0.264	0.345	0.118					AIR		CL	TS-D	G,S
	U-Factor 0.47			SHGC (<1) 0.49				VT (<1) 0.55			CR 42	
2095	148.294 / Opt 4 (INN Refo KS/LS/S, Foam): clr / air / lami (DS/DS 090 DS) 3/4" IG											
	0.118	0.345	0.264					AIR		CL	TS-D	G,S
	U-Factor 0.47			SHGC (<1) 0.51				VT (<1) 0.55			CR 42	
2095	148.294 / Opt 4 (INN Refo KS/LS/S, Foam): clr / air / clr / air / clr (SS/SS/SS) 3/4" IG (P1-S)											
	0.087	0.250	0.087	0.250	0.087			AIR		CL	TS-D	N,S
	U-Factor 0.37			SHGC (N / <1) 0.55 / 0.49				VT (N / <1) 0.58 / 0.52			CR 51	
2096	148.294 / Opt 4 (INN Refo KS/LS/S, Foam): clr / air / clr / air / clr (SS/SS/SS) 3/4" IG (P1-S)											
	0.087	0.250	0.087	0.250	0.087			AIR		CL	TS-D	G,S
	U-Factor 0.38			SHGC (<1) 0.49				VT (<1) 0.52			CR 51	

NFRC 100/200/500 Summary Sheet
Windgate/Belmont/Hawthorne 2-Lite Slider

ID	Pane Thickness 1	Gap Width 1	Pane Thickness 2	Gap Width 2	Pane Thickness 3	Gap Width 3	Pane Thickness 4	Gap Fill	Low-e (Surface#)	Tint	Spacer	Grid Type
	U-Factor			Solar Heat Gain Coefficient (SHGC) Grids (None / <1 / >=1)				Visible Transmittance (VT) Grids (None / <1 / >=1)			Condensation Resistance	
2097	148.294 / Opt 4 (INN Refo KS/LS/S, Foam): 70/36 / air / clr (SS/SS) 3/4" IG											
	0.090	0.563	0.090					AIR	0.036(#2)	CL	TS-D	N,G,S
	U-Factor 0.31			SHGC (N / <1) 0.30 / 0.27				VT (N / <1) 0.54 / 0.48			CR 55	
	148.294 / Opt 4 (INN Refo KS/LS/S, Foam): clr / air / 70/36 (SS/SS) 3/4" IG											
	0.090	0.563	0.090					AIR	0.036(#3)	CL	TS-D	N,G,S
	U-Factor 0.31			SHGC (N / <1) 0.37 / 0.33				VT (N / <1) 0.54 / 0.48			CR 55	
2098	148.294 / Opt 4 (INN Refo KS/LS/S, Foam): 70/36 / arg / clr (SS/SS) 3/4" IG											
	0.090	0.563	0.090					ARG90	0.036(#2)	CL	TS-D	N,G,S
	U-Factor 0.28			SHGC (N / <1) 0.30 / 0.27				VT (N / <1) 0.54 / 0.48			CR 58	
	148.294 / Opt 4 (INN Refo KS/LS/S, Foam): clr / arg / 70/36 (SS/SS) 3/4" IG											
	0.090	0.563	0.090					ARG90	0.036(#3)	CL	TS-D	N,G,S
	U-Factor 0.28			SHGC (N / <1) 0.38 / 0.34				VT (N / <1) 0.54 / 0.48			CR 58	
2099	148.294 / Opt 4 (INN Refo KS/LS/S, Foam): 70/36 / air / clr (DS/DS) 3/4" IG											
	0.117	0.500	0.117					AIR	0.036(#2)	CL	TS-D	N,G,S
	U-Factor 0.31			SHGC (N / <1) 0.30 / 0.27				VT (N / <1) 0.53 / 0.47			CR 53	
	148.294 / Opt 4 (INN Refo KS/LS/S, Foam): clr / air / 70/36 (DS/DS) 3/4" IG											
	0.117	0.500	0.117					AIR	0.036(#3)	CL	TS-D	N,G,S
	U-Factor 0.31			SHGC (N / <1) 0.37 / 0.33				VT (N / <1) 0.53 / 0.47			CR 53	
2100	148.294 / Opt 4 (INN Refo KS/LS/S, Foam): 70/36 / arg / clr (DS/DS) 3/4" IG											
	0.117	0.500	0.117					ARG90	0.036(#2)	CL	TS-D	N,G,S
	U-Factor 0.28			SHGC (N / <1) 0.29 / 0.27				VT (N / <1) 0.53 / 0.47			CR 56	
	148.294 / Opt 4 (INN Refo KS/LS/S, Foam): clr / arg / 70/36 (DS/DS) 3/4" IG											
	0.117	0.500	0.117					ARG90	0.036(#3)	CL	TS-D	N,G,S
	U-Factor 0.28			SHGC (N / <1) 0.37 / 0.33				VT (N / <1) 0.53 / 0.47			CR 56	
2101	148.294 / Opt 4 (INN Refo KS/LS/S, Foam): lami / arg / 70/36 (DS 090 DS/DS) 3/4" IG											
	0.264	0.345	0.117					ARG90	0.036(#3)	CL	TS-D	N,S
	U-Factor 0.29			SHGC (N / <1) 0.35 / 0.32				VT (N / <1) 0.52 / 0.47			CR 55	
	148.294 / Opt 4 (INN Refo KS/LS/S, Foam): 70/36 / arg / lami (DS/DS 090 DS) 3/4" IG											
	0.117	0.345	0.264					ARG90	0.036(#2)	CL	TS-D	N,S
	U-Factor 0.29			SHGC (N / <1) 0.29 / 0.26				VT (N / <1) 0.52 / 0.47			CR 55	

NFRC 100/200/500 Summary Sheet
Windgate/Belmont/Hawthorne 2-Lite Slider

ID	Pane Thickness 1	Gap Width 1	Pane Thickness 2	Gap Width 2	Pane Thickness 3	Gap Width 3	Pane Thickness 4	Gap Width 4	Gap Fill	Low-e (Surface#)	Tint	Spacer	Grid Type
	U-Factor			Solar Heat Gain Coefficient (SHGC) Grids (None / <1 / >=1)					Visible Transmittance (VT) Grids (None / <1 / >=1)			Condensation Resistance	
2102	148.294 / Opt 4 (INN Refo KS/LS/S, Foam): lami / arg / 70/36 (DS 090 DS/DS) 3/4" IG												
	0.264	0.345	0.117						ARG90	0.036(#3)	CL	TS-D	G,S
	U-Factor 0.31			SHGC (<1) 0.32					VT (<1) 0.47			CR 55	
	148.294 / Opt 4 (INN Refo KS/LS/S, Foam): 70/36 / arg / lami (DS/DS 090 DS) 3/4" IG												
	0.117	0.345	0.264						ARG90	0.036(#2)	CL	TS-D	G,S
	U-Factor 0.31			SHGC (<1) 0.26					VT (<1) 0.47			CR 55	
2103	148.294 / Opt 4 (INN Refo KS/LS/S, Foam): 70/36 / arg / clr / arg / 70/36 (SS/SS/SS) 3/4" IG												
	0.090	0.250	0.090	0.250	0.090				ARG90	0.036(#2) / 0.036(#5)	CL	TS-D	N,S
	U-Factor 0.24			SHGC (N / <1) 0.26 / 0.23					VT (N / <1) 0.42 / 0.37			CR 63	
2104	148.294 / Opt 4 (INN Refo KS/LS/S, Foam): 70/36 / arg / clr / arg / 70/36 (SS/SS/SS) 3/4" IG												
	0.090	0.250	0.090	0.250	0.090				ARG90	0.036(#2) / 0.036(#5)	CL	TS-D	G,S
	U-Factor 0.25			SHGC (<1) 0.23					VT (<1) 0.37			CR 63	
2105	148.294 / Opt 4 (INN Refo KS/LS/S, Foam): 80/70 / air / clr (SS/SS) 3/4" IG												
	0.090	0.563	0.090						AIR	0.095(#2)	CL	TS-D	N,G,S
	U-Factor 0.33			SHGC (N / <1) 0.51 / 0.46					VT (N / <1) 0.62 / 0.55			CR 53	
	148.294 / Opt 4 (INN Refo KS/LS/S, Foam): clr / air / 80/70 (SS/SS) 3/4" IG												
	0.090	0.563	0.090						AIR	0.095(#3)	CL	TS-D	N,G,S
	U-Factor 0.33			SHGC (N / <1) 0.54 / 0.49					VT (N / <1) 0.62 / 0.55			CR 53	
2106	148.294 / Opt 4 (INN Refo KS/LS/S, Foam): 80/70 / arg / clr (SS/SS) 3/4" IG												
	0.090	0.563	0.090						ARG90	0.095(#2)	CL	TS-D	N,G,S
	U-Factor 0.29			SHGC (N / <1) 0.51 / 0.46					VT (N / <1) 0.62 / 0.55			CR 56	
	148.294 / Opt 4 (INN Refo KS/LS/S, Foam): clr / arg / 80/70 (SS/SS) 3/4" IG												
	0.090	0.563	0.090						ARG90	0.095(#3)	CL	TS-D	N,G,S
	U-Factor 0.29			SHGC (N / <1) 0.54 / 0.49					VT (N / <1) 0.62 / 0.55			CR 56	
2107	148.294 / Opt 4 (INN Refo KS/LS/S, Foam): 80/70 / air / clr (DS/DS) 3/4" IG												
	0.117	0.500	0.117						AIR	0.095(#2)	CL	TS-D	N,G,S
	U-Factor 0.32			SHGC (N / <1) 0.51 / 0.45					VT (N / <1) 0.61 / 0.55			CR 52	
	148.294 / Opt 4 (INN Refo KS/LS/S, Foam): clr / air / 80/70 (DS/DS) 3/4" IG												
	0.117	0.500	0.117						AIR	0.095(#3)	CL	TS-D	N,G,S
	U-Factor 0.32			SHGC (N / <1) 0.53 / 0.48					VT (N / <1) 0.61 / 0.55			CR 52	

**NFRC 100/200/500 Summary Sheet
Windgate/Belmont/Hawthorne 2-Lite Slider**

ID	Pane Thickness 1	Gap Width 1	Pane Thickness 2	Gap Width 2	Pane Thickness 3	Gap Width 3	Pane Thickness 4	Gap Fill	Low-e (Surface#)	Tint	Spacer	Grid Type
	U-Factor			Solar Heat Gain Coefficient (SHGC) Grids (None / <1 / >=1)				Visible Transmittance (VT) Grids (None / <1 / >=1)			Condensation Resistance	
2108	148.294 / Opt 4 (INN Refo KS/LS/S, Foam): 80/70 / arg / clr (DS/DS) 3/4" IG											
	0.117	0.500	0.117					ARG90	0.095(#2)	CL	TS-D	N,G,S
	U-Factor 0.29			SHGC (N / <1) 0.51 / 0.45				VT (N / <1) 0.61 / 0.55			CR 55	
	148.294 / Opt 4 (INN Refo KS/LS/S, Foam): clr / arg / 80/70 (DS/DS) 3/4" IG											
	0.117	0.500	0.117					ARG90	0.095(#3)	CL	TS-D	N,G,S
	U-Factor 0.29			SHGC (N / <1) 0.54 / 0.48				VT (N / <1) 0.61 / 0.55			CR 55	
2109	148.294 / Opt 4 (INN Refo KS/LS/S, Foam): lami / arg / 80/70 (DS 090 DS/DS) 3/4" IG											
	0.264	0.345	0.117					ARG90	0.095(#3)	CL	TS-D	N,S
	U-Factor 0.31			SHGC (N / <1) 0.49 / 0.44				VT (N / <1) 0.60 / 0.54			CR 54	
	148.294 / Opt 4 (INN Refo KS/LS/S, Foam): 80/70 / arg / lami (DS/DS 090 DS) 3/4" IG											
	0.117	0.345	0.264					ARG90	0.095(#2)	CL	TS-D	N,S
	U-Factor 0.31			SHGC (N / <1) 0.50 / 0.45				VT (N / <1) 0.60 / 0.54			CR 54	
2110	148.294 / Opt 4 (INN Refo KS/LS/S, Foam): lami / arg / 80/70 (DS 090 DS/DS) 3/4" IG											
	0.264	0.345	0.117					ARG90	0.095(#3)	CL	TS-D	G,S
	U-Factor 0.32			SHGC (<1) 0.44				VT (<1) 0.54			CR 54	
	148.294 / Opt 4 (INN Refo KS/LS/S, Foam): 80/70 / arg / lami (DS/DS 090 DS) 3/4" IG											
	0.117	0.345	0.264					ARG90	0.095(#2)	CL	TS-D	G,S
	U-Factor 0.32			SHGC (<1) 0.45				VT (<1) 0.54			CR 54	
2111	148.294 / Opt 4 (INN Refo KS/LS/S, Foam): 80/70 / arg / clr / arg / 80/70 (SS/SS/SS) 3/4" IG											
	0.090	0.250	0.090	0.250	0.090			ARG90	0.095(#2) / 0.095(#5)	CL	TS-D	N,S
	U-Factor 0.25			SHGC (N / <1) 0.45 / 0.41				VT (N / <1) 0.56 / 0.50			CR 62	
2112	148.294 / Opt 4 (INN Refo KS/LS/S, Foam): 80/70 / arg / clr / arg / 80/70 (SS/SS/SS) 3/4" IG											
	0.090	0.250	0.090	0.250	0.090			ARG90	0.095(#2) / 0.095(#5)	CL	TS-D	G,S
	U-Factor 0.26			SHGC (<1) 0.41				VT (<1) 0.50			CR 62	

The Condensation Resistance results obtained from this procedure are for controlled laboratory conditions and do not include the effects of air movement through the specimen, solar radiation, and the thermal bridging that may occur due to the specific design and construction of the fenestration system opening.

Ratings values included in this report are for submittals to an NFRC-licensed IA and are not meant to be used directly for labeling purposes. Only those values identified on a valid Certification Authorization Report (CAR) by an NFRC accredited Inspection Agency (IA) are to be used for labeling purposes. The ratings values were rounded in accordance to NFRC 601, NFRC Unit and Measurement Policy.

Intertek-ATI is an NFRC accredited simulation laboratory and all simulations were conducted in full compliance with NFRC approved procedures and specifications. The values included in this report are not considered in compliance with ANSI/NFRC 100, ANSI/NFRC 200, and/or NFRC 500 unless the associated validation test requirements have been satisfied, as applicable.

This report is reissued in the name of American Window Alliance, Inc. through written authorization of Deceuninck North America, LLC, to whom the original report was rendered. The original Deceuninck North America, LLC report number is G6290.01-116-45.

Intertek-ATI will service this report for the entire test record retention period. Test records that are retained such as detailed drawings, datasheets, representative samples of test specimens, or other pertinent project documentation will be retained by Intertek-ATI for the entire test record retention period. The test record retention end date for this report is May 17, 2022.

Results obtained are simulated values and were secured by using the designated test methods. This report does not constitute certification of this product nor an opinion or endorsement by this laboratory. It is the exclusive property of the client so named herein and relates only to the product simulated. This report may not be reproduced, except in full, without the written approval of Intertek-ATI

For INTERTEK-ATI:

SIMULATED BY:

REVIEWED BY:

Eric S. Leitner
Simulation Technician Team Leader
NFRC Certified Simulator

Kristen L. Louder
Senior Simulation Technician
Simulator-In-Responsible-Charge

ESL:esl

G6290.02-116-45

Attachments (pages):

This report is complete only when all attachments listed are included.

Appendix A: Drawings and Bills of Material (78)

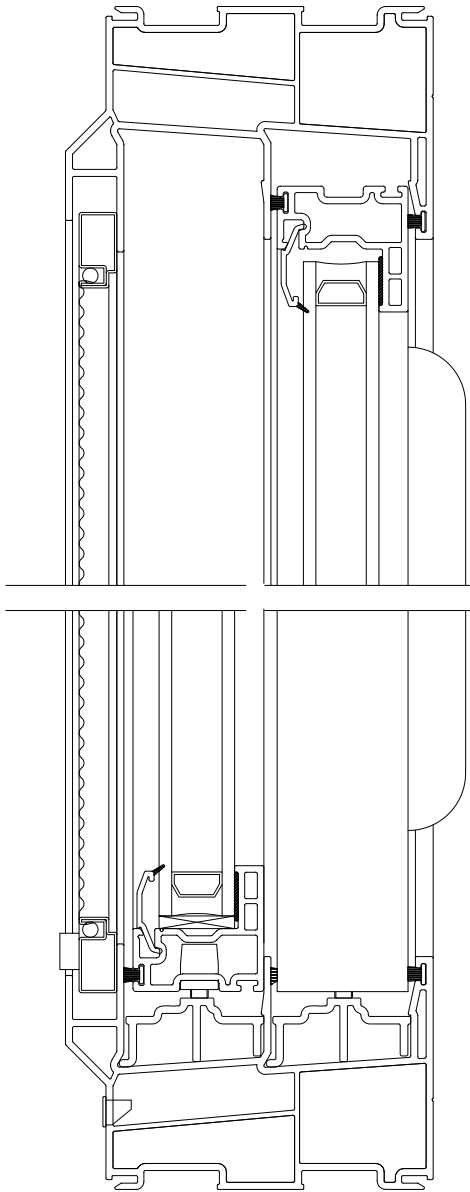
Revision Log

<u>Rev. #</u>	<u>Date</u>	<u>Page(s)</u>	<u>Revision(s)</u>
.01R0	05/17/17	All	- Original report issued to Deceuninck North America, LLC
.02R0	05/17/17	All	- Reissue report in the name of American Window Alliance, Inc.

All drawings and Bills of Material used to simulate this product are enclosed in this Appendix
Some drawings may be omitted at the extruder's request.

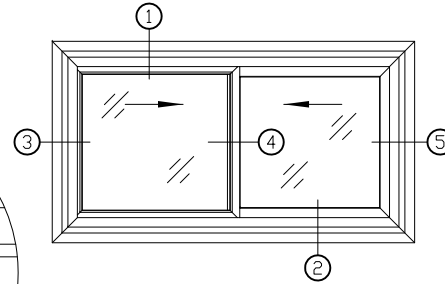
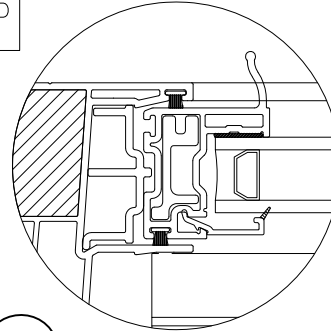
Appendix A

G6290.02-116-45



1

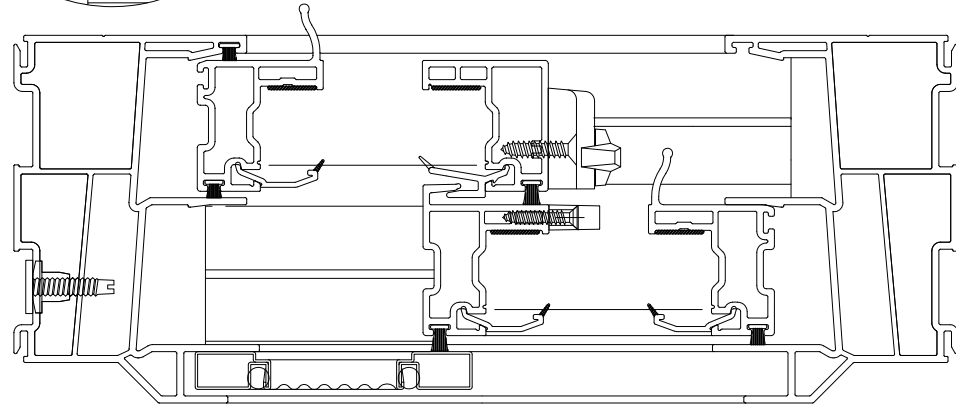
W/ GLAZING BEAD
10008127



4

5



3

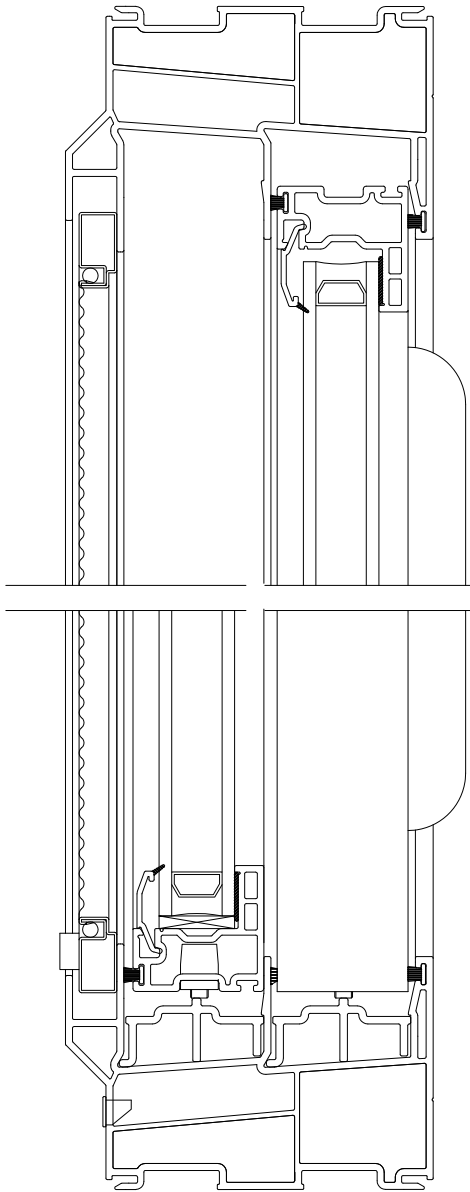


 	Report #:	G6290-116-45
	Date:	5/17/2017
	Verified by:	<i>[Signature]</i>

OPT 1

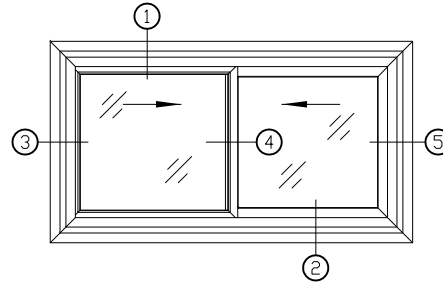
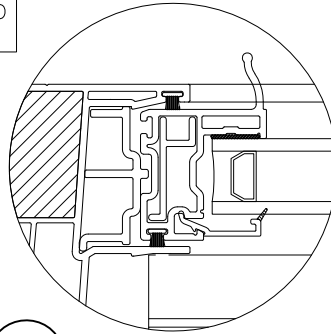
2

<p>CONFIDENTIAL</p> <p>UNPUBLISHED WORK © 2017 DECEUNINCK NORTH AMERICA</p> <p>THIS DOCUMENT CONTAINS PROPRIETARY AND CONFIDENTIAL INFORMATION. DO NOT COPY OR DISCLOSE THIS INFORMATION WITHOUT THE EXPRESS WRITTEN CONSENT OF DECEUNINCK NORTH AMERICA. DECEUNINCK NORTH AMERICA RESERVES THE RIGHT TO CHANGE THIS DRAWING AND ANY ASSOCIATED DOCUMENTS.</p>	<p>THIRD ANGLE PROJECTION</p> 	<p>DESIGN BY: JCH</p> <p>DATE: 17/05/05</p> <p>DRAWN BY: AJH</p> <p>DATE: 17/05/05</p> <p>AUTH: DATE:</p> <p>AUTH: DATE:</p> <p>AUTH: DATE:</p> <p>FILENAME: 190890</p>	<p>deceuninck </p> <p>NORTH AMERICA</p> <p>851 NORTH GARVER ROAD KNOXVILLE, OHIO 45500</p>
		<p>NAME: 141.094 HS - 005</p> <p>SIZE DWG. NO: 141094HS-005</p> <p>SCALE: 1 : 1 (LBS/FT.)</p> <p>SHEET: 1 OF 1</p>	<p>REV: NEW</p>



1

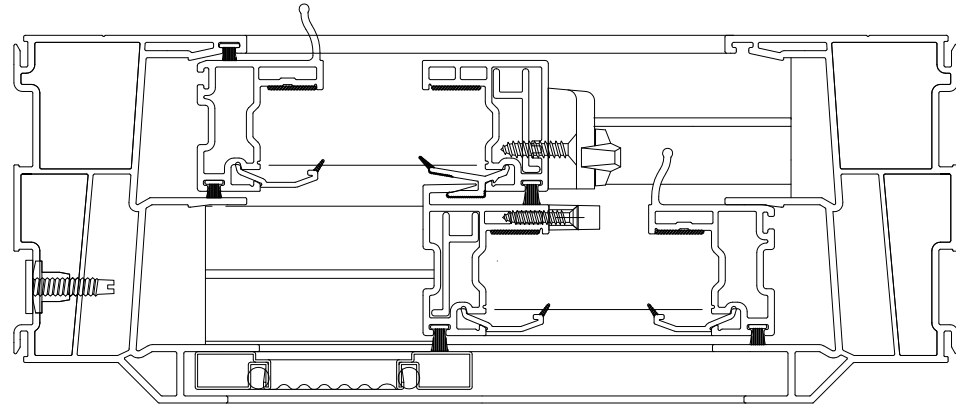
W/ GLAZING BEAD
10008127



4

5

3





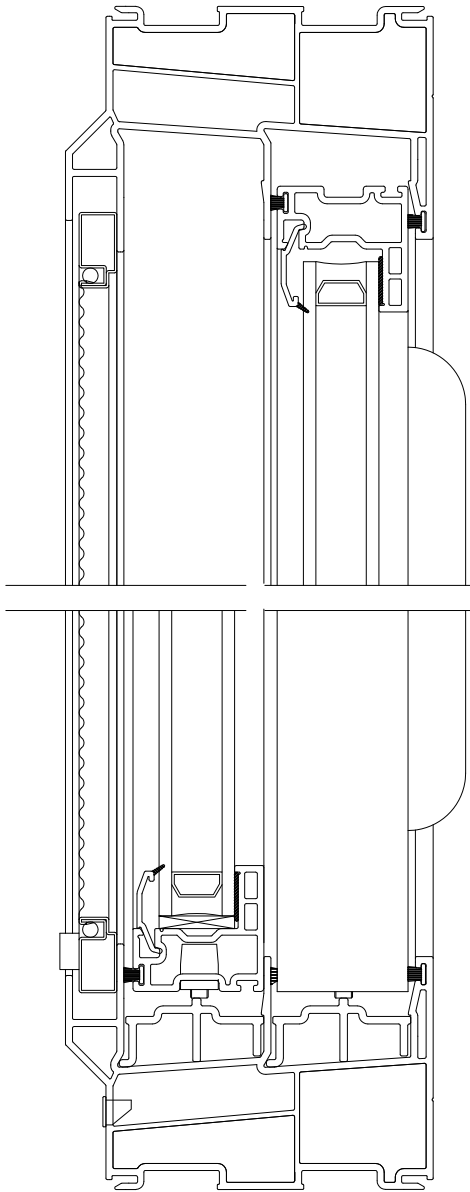


 Report #: G6290-116-45
 Date: 5/17/2017
 Verified by: *[Signature]*

OPT 2

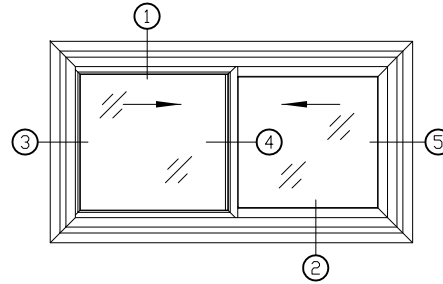
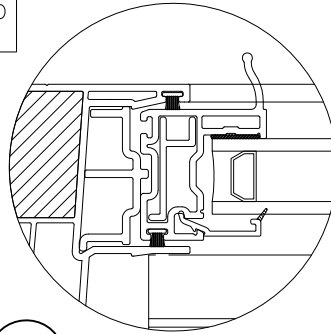
2

<p>CONFIDENTIAL</p> <p>UNPUBLISHED WORK © 2017 DECEUNINCK NORTH AMERICA</p> <p>THIS DOCUMENT CONTAINS PROPRIETARY AND CONFIDENTIAL INFORMATION. DO NOT COPY OR DISCLOSE THIS INFORMATION WITHOUT THE EXPRESS WRITTEN CONSENT OF DECEUNINCK NORTH AMERICA. DECEUNINCK NORTH AMERICA RESERVES THE RIGHT TO CHANGE THIS DRAWING AND ANY ASSOCIATED DOCUMENTS.</p>	<p>THIRD ANGLE PROJECTION</p> 	DESIGN BY: JCH DATE: 17/05/05 DRAWN BY: AJH DATE: 17/05/05 AUTH: DATE: AUTH: DATE: AUTH: DATE: FILENAME: 190888	 <p>851 NORTH GARVER ROAD KNOXVILLE, OHIO 45500</p> <p>NORTH AMERICA</p> <p>NAME: 141.094 HS - 003</p> <p>SIZE DWG. NO: 141094HS-003 SCALE: 1 : 1 (LBS/FT.) SHEET: 1 OF 1</p>
		<p>REV: NEW</p>	



1

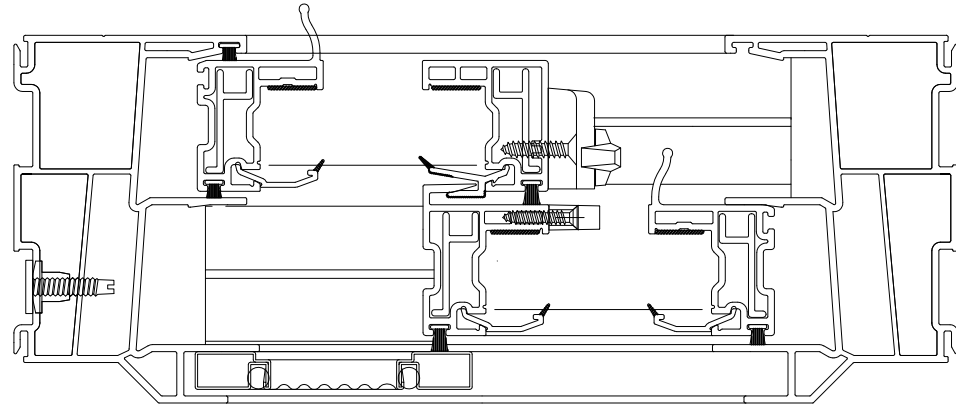
W/ GLAZING BEAD
10008127



4

5

3

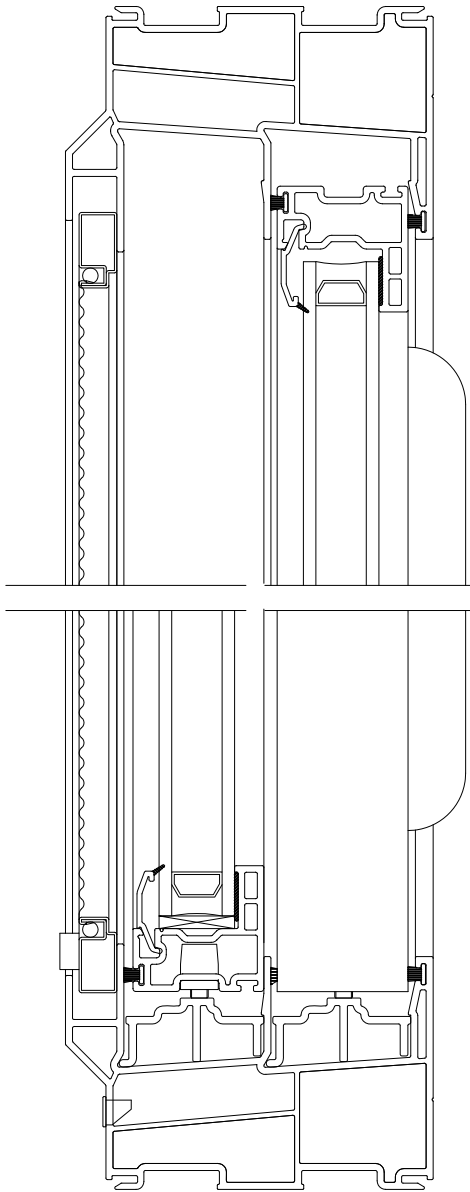


2

	Report #:	G6290-116-45
	Date:	5/17/2017
	Verified by:	<i>[Signature]</i>

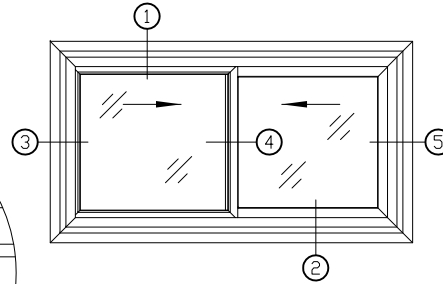
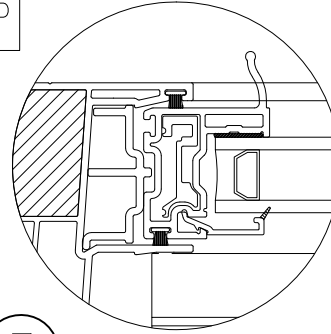
OPT 3

CONFIDENTIAL UNPUBLISHED WORK © 2017 DECEUNINCK NORTH AMERICA THIS DOCUMENT CONTAINS PROPRIETARY AND CONFIDENTIAL INFORMATION. DO NOT COPY OR DISCLOSE THIS INFORMATION WITHOUT THE EXPRESS WRITTEN CONSENT OF DECEUNINCK NORTH AMERICA. DECEUNINCK NORTH AMERICA RESERVES THE RIGHT TO CHANGE THIS DRAWING AND ANY ASSOCIATED DOCUMENTS.	THIRD ANGLE PROJECTION 	DESIGN BY: JCH	851 NORTH GARVER ROAD KENNEDY, OHIO 45000 NORTH AMERICA
		DATE: 17/05/05	
		DRAWN BY: AJH	REV: NEW
		DATE: 17/05/05	SCALE: 1 : 1 (LBS/FT.)
		AUTH: DATE:	SHEET: 1 OF 1
		AUTH: DATE:	
		FILENAME: 190888	



1

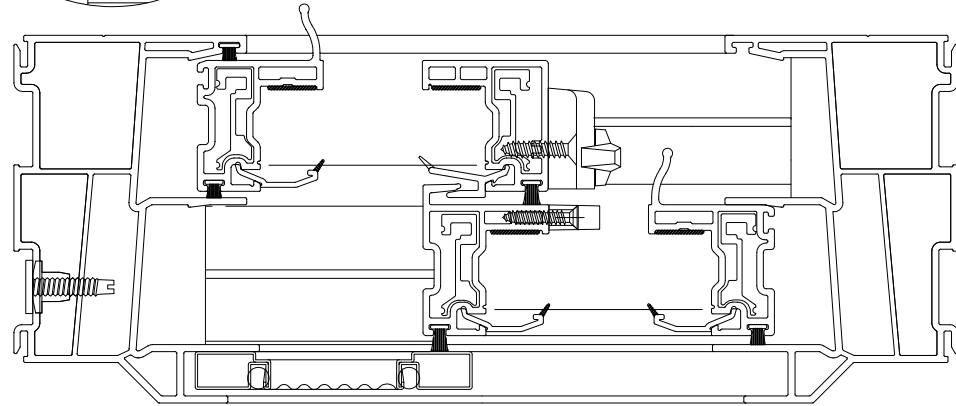
W/ GLAZING BEAD
10008127



4

5

3

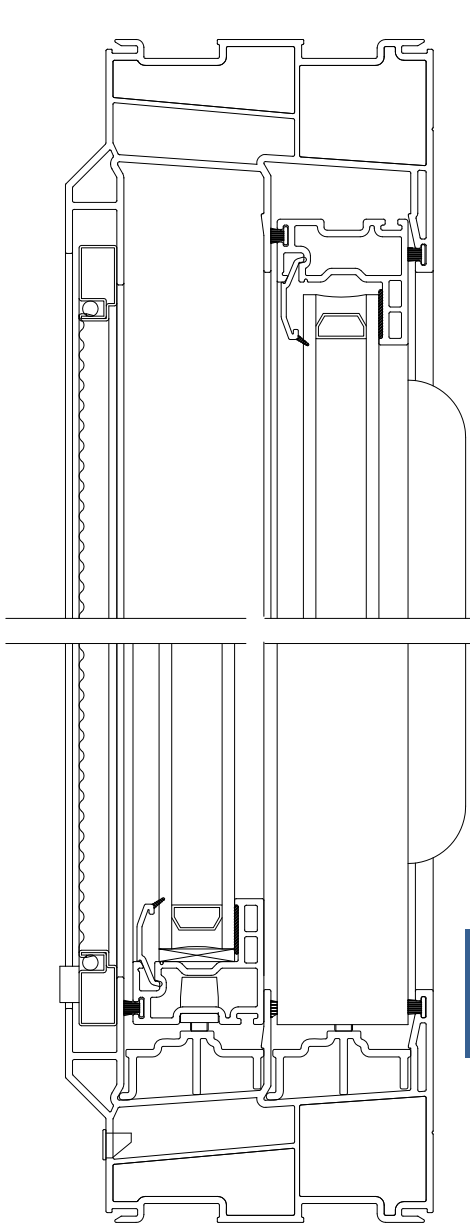


2

	Report #:	G6290-116-45
	Date:	5/17/2017
	Verified by:	<i>[Signature]</i>

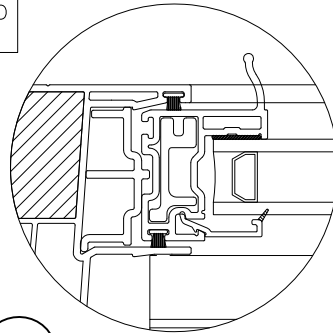
OPT 4

<p>CONFIDENTIAL</p> <p>UNPUBLISHED WORK © 2017 DECEUNINCK NORTH AMERICA</p> <p>THIS DOCUMENT CONTAINS PROPRIETARY AND CONFIDENTIAL INFORMATION. DO NOT COPY OR DISCLOSE THIS INFORMATION WITHOUT THE EXPRESS WRITTEN CONSENT OF DECEUNINCK NORTH AMERICA. DECEUNINCK NORTH AMERICA RESERVES THE RIGHT TO CHANGE THIS DRAWING AND ANY ASSOCIATED DOCUMENTS.</p>	<p>THIRD ANGLE PROJECTION</p>	<p>DESIGN BY: JCH</p> <p>DATE: 17/05/05</p> <p>DRAWN BY: AJH</p> <p>DATE: 17/05/05</p> <p>AUTH: DATE:</p> <p>AUTH: DATE:</p> <p>AUTH: DATE:</p> <p>FILENAME: 190889</p>	<p>deceuninck </p> <p>NORTH AMERICA</p> <p>851 NORTH GARVER ROAD KNOXVILLE, OHIO 45500</p>
		<p>NAME: 141.094 HS - 004</p> <p>SIZE DWG. NO: 141094HS-004</p> <p>SCALE: 1 : 1 (LBS/FT.)</p> <p>SHEET: 1 OF 1</p>	<p>REV: NEW</p>

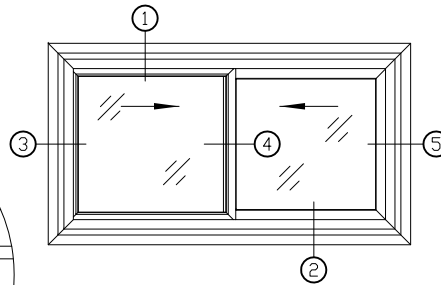


1

W/ GLAZING BEAD
10008127

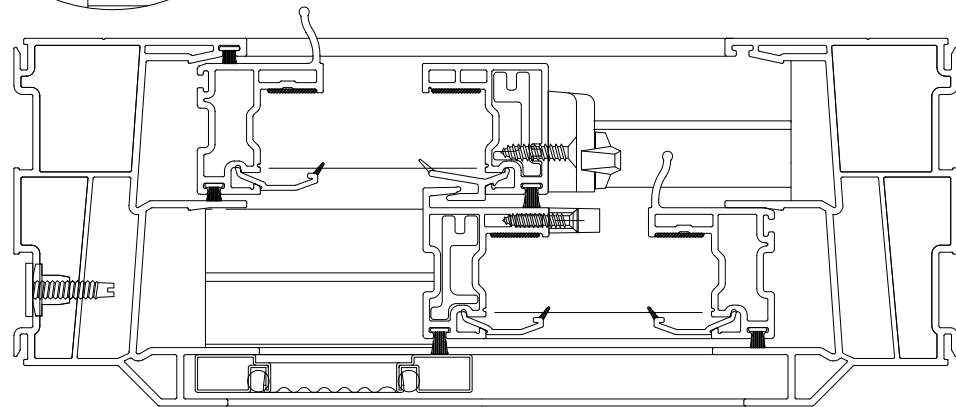


3



4

5





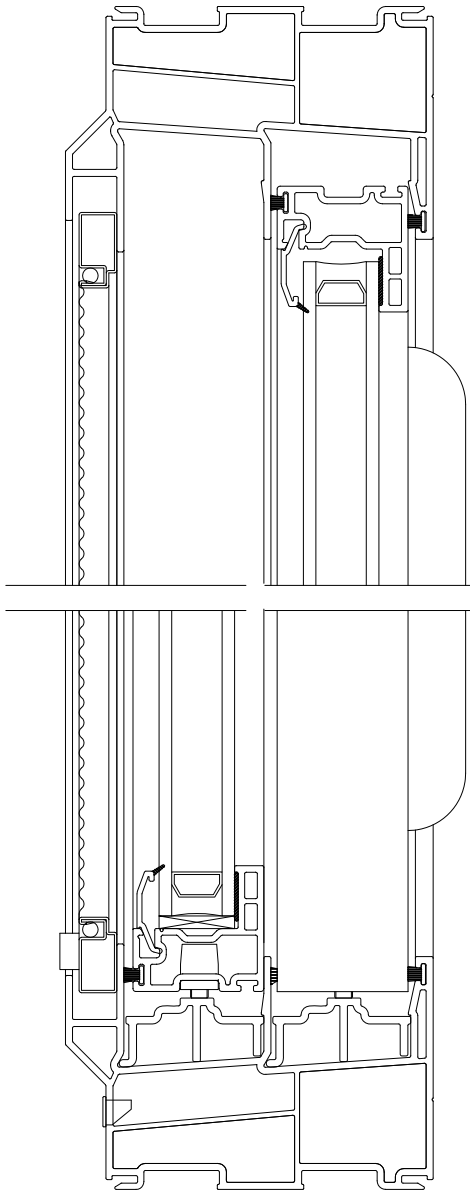


 Report #: G6290-116-45
 Date: 5/17/2017
 Verified by: *[Signature]*

OPT 5

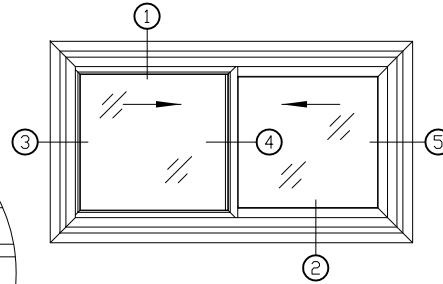
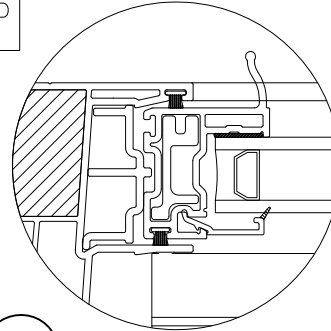
2

<p>CONFIDENTIAL</p> <p>UNPUBLISHED WORK © 2017 DECEUNINCK NORTH AMERICA</p> <p>THIS DOCUMENT CONTAINS PROPRIETARY AND CONFIDENTIAL INFORMATION. DO NOT COPY OR DISCLOSE THIS INFORMATION WITHOUT THE EXPRESS WRITTEN CONSENT OF DECEUNINCK NORTH AMERICA. DECEUNINCK NORTH AMERICA RESERVES THE RIGHT TO CHANGE THIS DRAWING AND ANY ASSOCIATED DOCUMENTS.</p>	<p>THIRD ANGLE PROJECTION</p> 	DESIGN BY: JCH DATE: 17/05/05 DRAWN BY: AJH DATE: 17/05/05 AUTH: DATE: AUTH: DATE: AUTH: DATE: FILENAME: 190890	 851 NORTH GARVER ROAD KENNEDICE, OHIO 45000 NORTH AMERICA NAME: 141.094 HS - 005 SIZE DWG. NO: 141094HS-005 SCALE: 1 : 1 (LBS/FT.) SHEET: 1 OF 1
		REV: NEW	



1

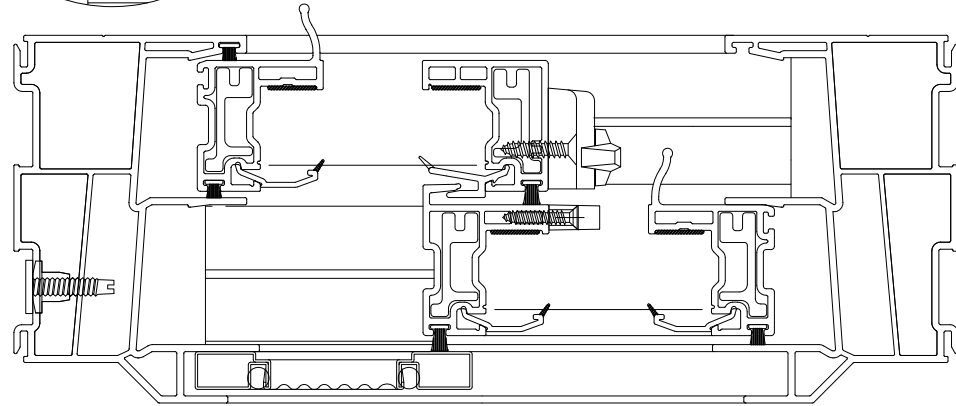
W/ GLAZING BEAD
10008127



4

5



3

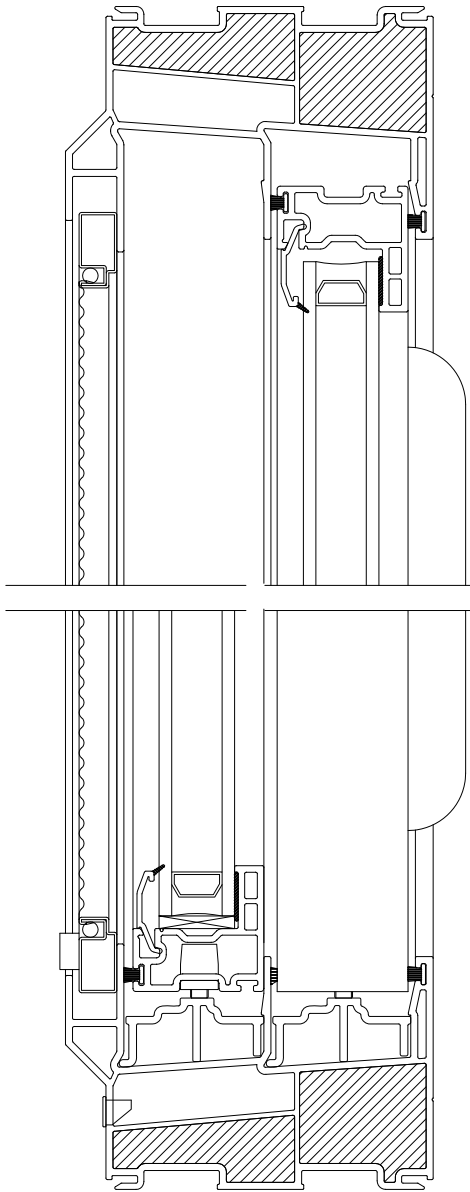


2

 	Report #:	G6290-116-45
	Date:	5/17/2017
	Verified by:	<i>[Signature]</i>

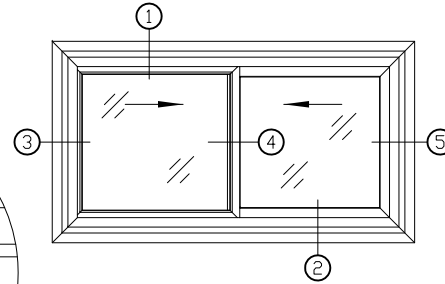
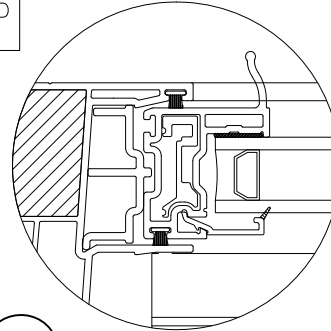
OPT 6

<p>CONFIDENTIAL</p> <p>UNPUBLISHED WORK © 2017 DECEUNINCK NORTH AMERICA</p> <p>THIS DOCUMENT CONTAINS PROPRIETARY AND CONFIDENTIAL INFORMATION. DO NOT COPY OR DISCLOSE THIS INFORMATION WITHOUT THE EXPRESS WRITTEN CONSENT OF DECEUNINCK NORTH AMERICA. DECEUNINCK NORTH AMERICA RESERVES THE RIGHT TO CHANGE THIS DRAWING AND ANY ASSOCIATED DOCUMENTS.</p>	<p>THIRD ANGLE PROJECTION</p> 	<p>DESIGN BY: JCH</p> <p>DATE: 17/05/05</p> <p>DRAWN BY: AJH</p> <p>DATE: 17/05/05</p> <p>AUTH: DATE:</p> <p>AUTH: DATE:</p> <p>AUTH: DATE:</p> <p>FILENAME: 190890</p>	<p>deceuninck </p> <p>NORTH AMERICA</p> <p>851 NORTH GARVER ROAD KNOXVILLE, OHIO 45500</p>
		<p>NAME: 141.094 HS - 005</p> <p>SIZE DWG. NO: 141094HS-005</p> <p>SCALE: 1 : 1 (LBS/FT.)</p> <p>SHEET: 1 OF 1</p>	<p>REV: NEW</p>



1

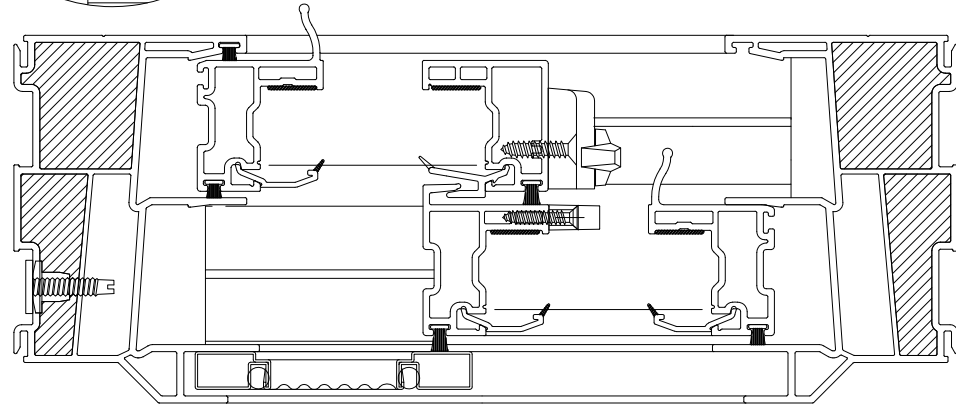
W/ GLAZING BEAD
10008127



4

5

3

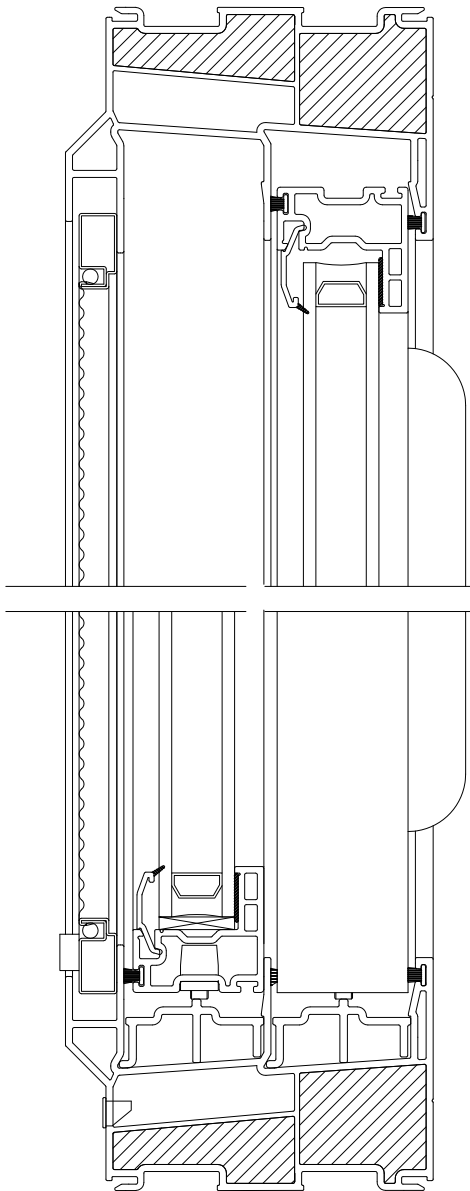


	Report #:	G6290-116-45
	Date:	5/17/2017
	Verified by:	<i>[Signature]</i>

OPT 7 POLYURETHANE FOAM INSULATION

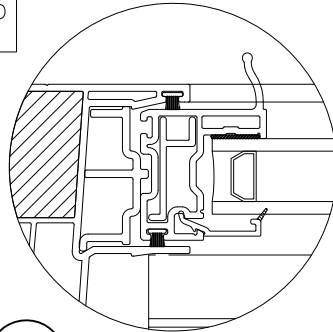
2

CONFIDENTIAL UNPUBLISHED WORK © 2017 DECEUNINCK NORTH AMERICA THIS DOCUMENT CONTAINS PROPRIETARY AND CONFIDENTIAL INFORMATION. DO NOT COPY OR DISCLOSE THIS INFORMATION WITHOUT THE EXPRESS WRITTEN CONSENT OF DECEUNINCK NORTH AMERICA. DECEUNINCK NORTH AMERICA RESERVES THE RIGHT TO CHANGE THIS DRAWING AND ANY ASSOCIATED DOCUMENTS.	THIRD ANGLE PROJECTION 	DESIGN BY: JCH	851 NORTH GARVER ROAD KENNEDY, OHIO 43000 NORTH AMERICA
		DATE: 17/05/05	
		DRAWN BY: AJH	REV: NEW
		DATE: 17/05/05	SIZE DWG. NO: 141094HS-004
		AUTH: DATE:	SCALE: 1 : 1 (LBS/FT.)
		AUTH: DATE:	SHEET: 1 OF 1
		FILENAME: 190889	

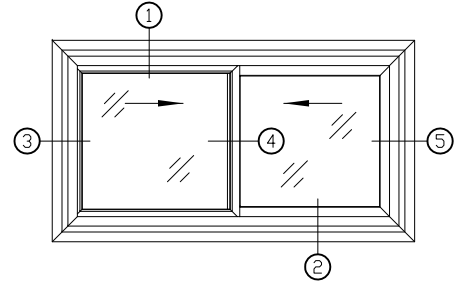


1

W/ GLAZING BEAD
10008127

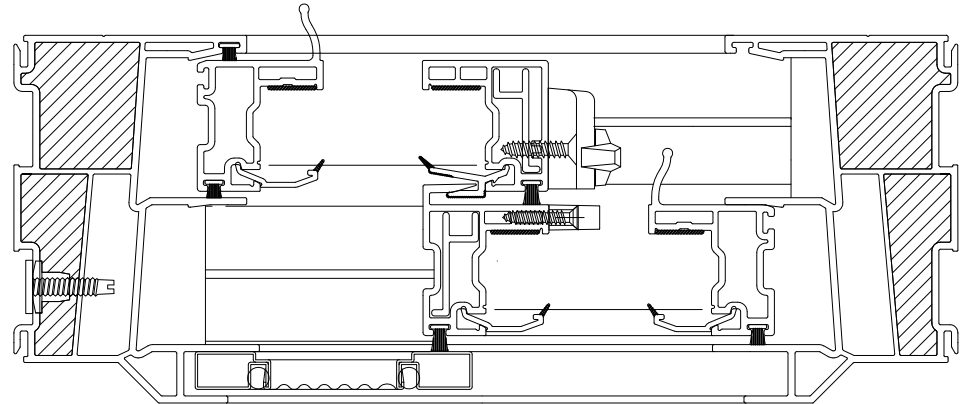


3



4

5





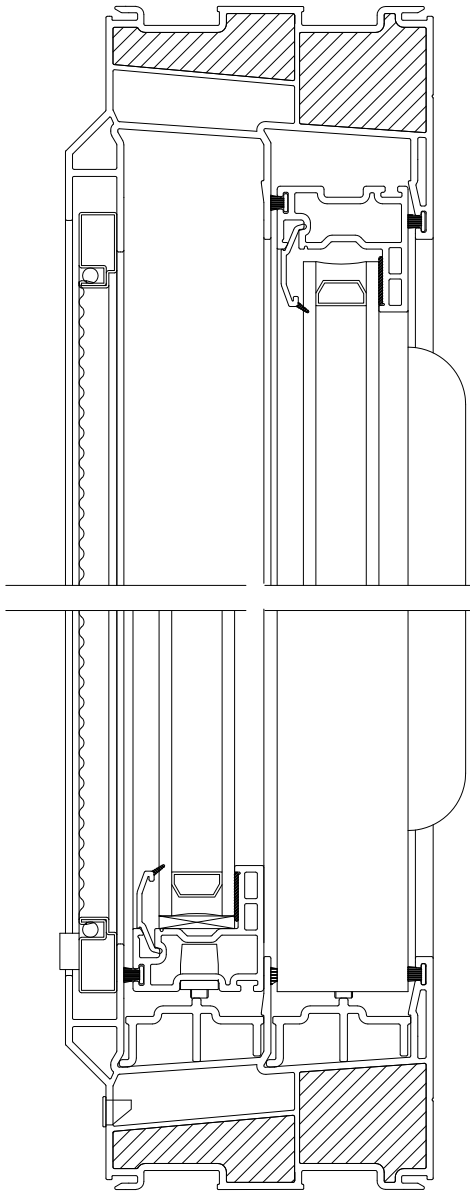


 Report #: G6290-116-45
 Date: 5/17/2017
 Verified by: *[Signature]*

OPT 8 POLYURETHANE FOAM INSULATION

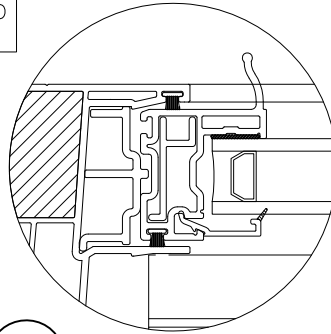
2

<p>CONFIDENTIAL</p> <p>UNPUBLISHED WORK © 2017 DECEUNINCK NORTH AMERICA</p> <p>THIS DOCUMENT CONTAINS PROPRIETARY AND CONFIDENTIAL INFORMATION. DO NOT COPY OR DISCLOSE THIS INFORMATION WITHOUT THE EXPRESS WRITTEN CONSENT OF DECEUNINCK NORTH AMERICA. DECEUNINCK NORTH AMERICA RESERVES THE RIGHT TO CHANGE THIS DRAWING AND ANY ASSOCIATED DOCUMENTS.</p>	<p>THIRD ANGLE PROJECTION</p> 	DESIGN BY: JCH DATE: 17/05/05 DRAWN BY: AJH DATE: 17/05/05	<p>deceuninck </p> <p>NORTH AMERICA</p> <p>851 NORTH GARVER ROAD KNOXVILLE, OHIO 45500</p>
		AUTH: DATE: AUTH: DATE: AUTH: DATE: FILENAME: 190888	

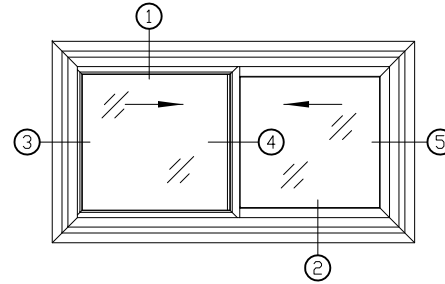


1

W/ GLAZING BEAD
10008127

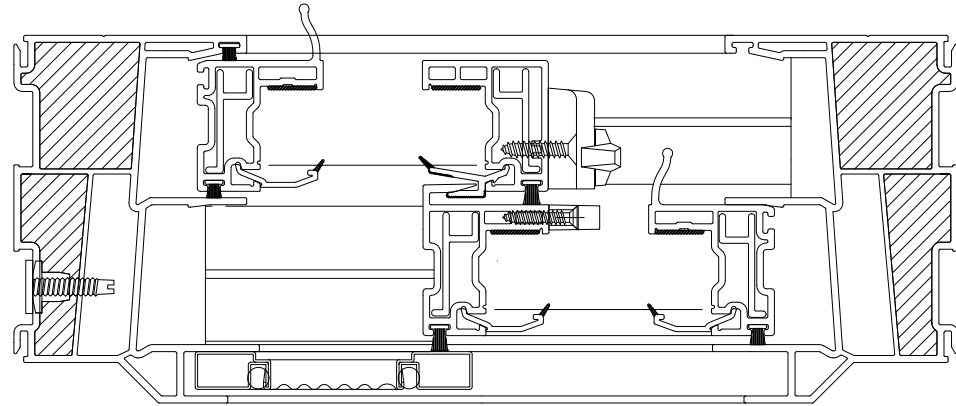


3



4

5

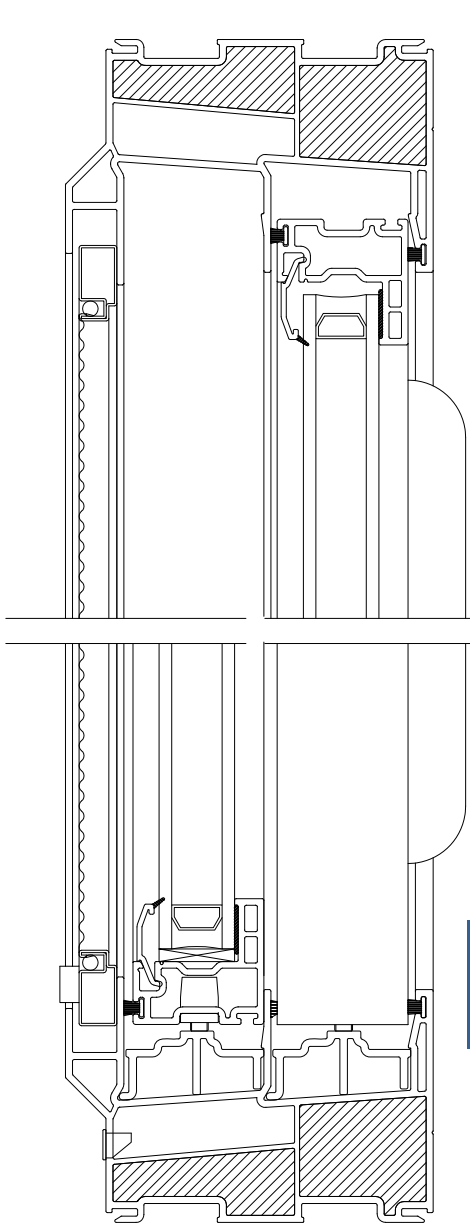


	Report #:	G6290-116-45
	Date:	5/17/2017
	Verified by:	<i>[Signature]</i>

OPT 9 POLYURETHANE FOAM INSULATION

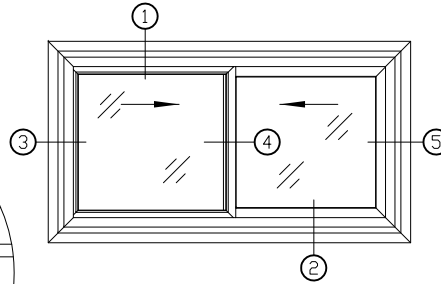
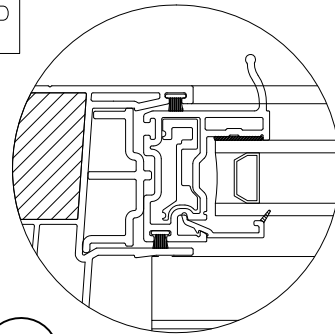
2

CONFIDENTIAL UNPUBLISHED WORK © 2017 DECEUNINCK NORTH AMERICA THIS DOCUMENT CONTAINS PROPRIETARY AND CONFIDENTIAL INFORMATION. DO NOT COPY OR DISCLOSE THIS INFORMATION WITHOUT THE EXPRESS WRITTEN CONSENT OF DECEUNINCK NORTH AMERICA. DECEUNINCK NORTH AMERICA RESERVES THE RIGHT TO CHANGE THIS DRAWING AND ANY ASSOCIATED DOCUMENTS.	THIRD ANGLE PROJECTION 	DESIGN BY: JCH	851 NORTH GARVER ROAD KENNEDY, OHIO 45000 NORTH AMERICA
		DATE: 17/05/05	
		DRAWN BY: AJH	REV: NEW
		DATE: 17/05/05	SIZE DWG. NO: 141094HS-003
		AUTH: DATE:	SCALE: 1 : 1 (LBS/FT.)
		AUTH: DATE:	SHEET: 1 OF 1
		FILENAME: 190888	



1

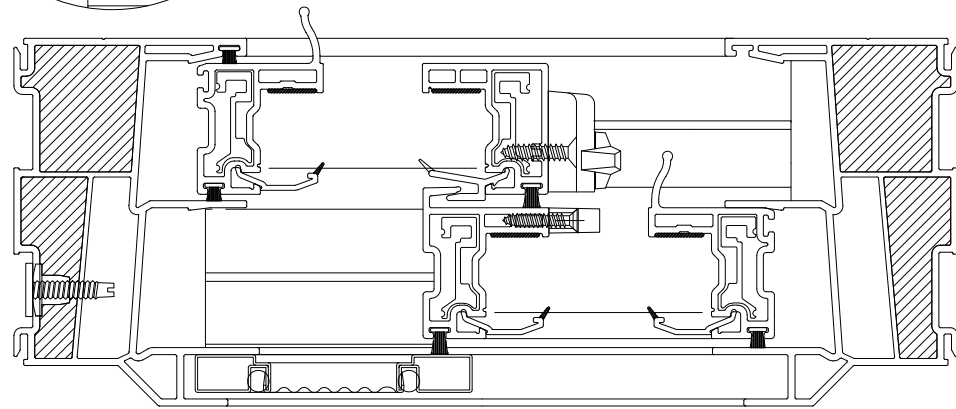
W/ GLAZING BEAD
10008127



4

5

3





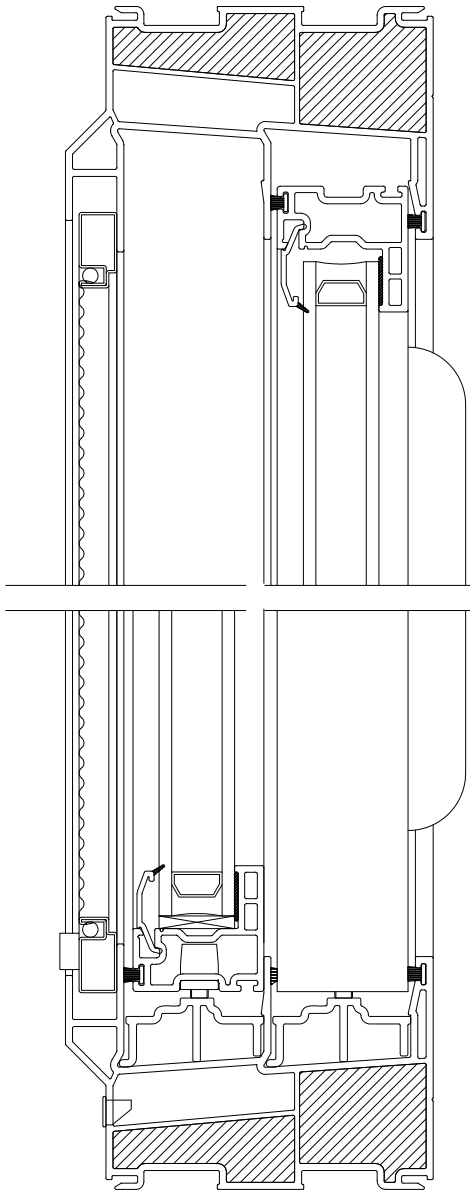


 Report #: G6290-116-45
 Date: 5/17/2017
 Verified by: *[Signature]*

OPT 10 POLYURETHANE FOAM INSULATION

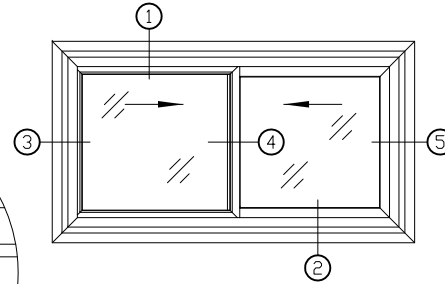
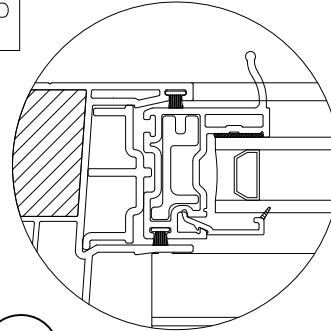
2

<p>CONFIDENTIAL</p> <p>UNPUBLISHED WORK © 2017 DECEUNINCK NORTH AMERICA</p> <p>THIS DOCUMENT CONTAINS PROPRIETARY AND CONFIDENTIAL INFORMATION. DO NOT COPY OR DISCLOSE THIS INFORMATION WITHOUT THE EXPRESS WRITTEN CONSENT OF DECEUNINCK NORTH AMERICA. DECEUNINCK NORTH AMERICA RESERVES THE RIGHT TO CHANGE THIS DRAWING AND ANY ASSOCIATED DOCUMENTS.</p>	<p>THIRD ANGLE PROJECTION</p> 	DESIGN BY: JCH DATE: 17/05/05 DRAWN BY: AJH DATE: 17/05/05	<p>deceuninck </p> <p>NORTH AMERICA</p> <p>851 NORTH GARVER ROAD KNOXVILLE, OHIO 45500</p>
		AUTH: DATE: AUTH: DATE: AUTH: DATE: FILENAME: 190889	



1

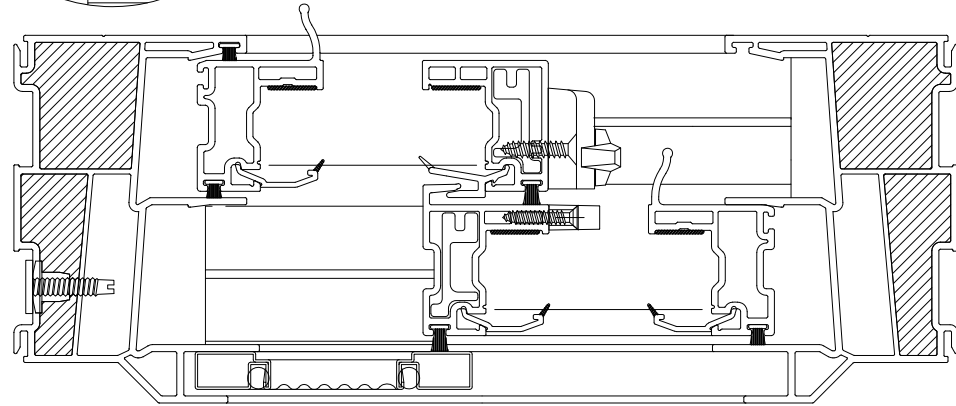
W/ GLAZING BEAD
10008127



4

5

3

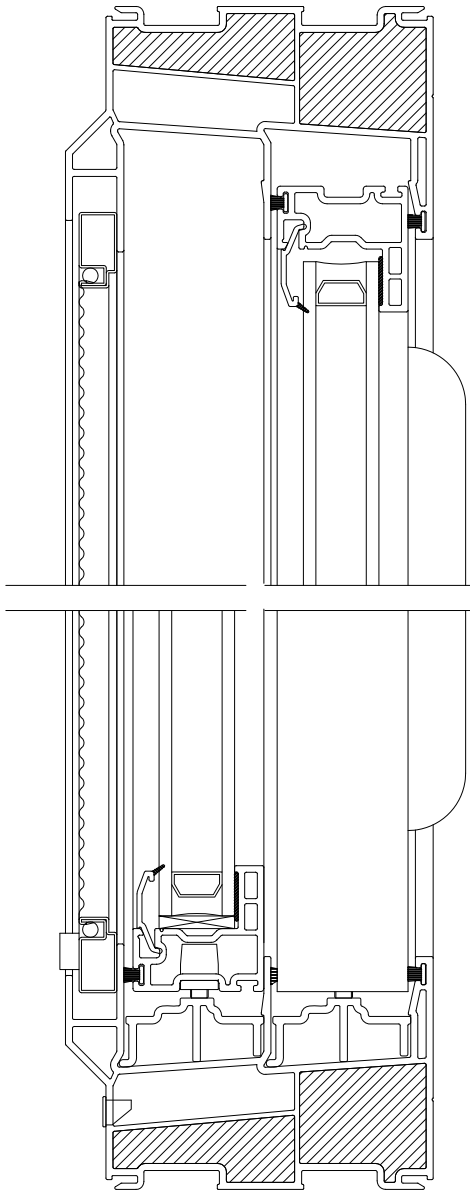


	Report #:	G6290-116-45
	Date:	5/17/2017
	Verified by:	<i>[Signature]</i>

OPT 11 POLYURETHANE FOAM INSULATION

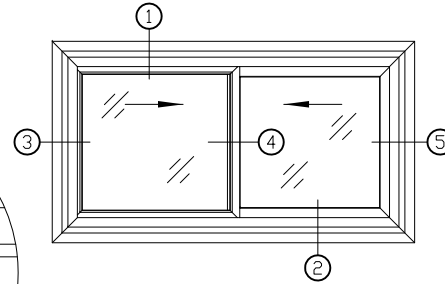
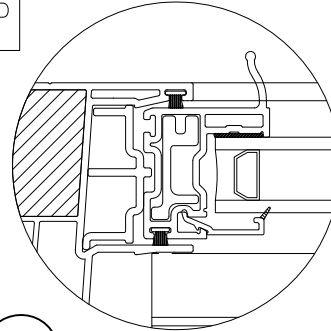
2

CONFIDENTIAL UNPUBLISHED WORK © 2017 DECEUNINCK NORTH AMERICA <small>THIS DOCUMENT CONTAINS PROPRIETARY AND CONFIDENTIAL INFORMATION. DO NOT COPY OR DISCLOSE THIS INFORMATION WITHOUT THE EXPRESS WRITTEN CONSENT OF DECEUNINCK NORTH AMERICA. DECEUNINCK NORTH AMERICA RESERVES THE RIGHT TO CHANGE THIS DRAWING AND ANY ASSOCIATED DOCUMENTS.</small>	THIRD ANGLE PROJECTION 	DESIGN BY: JCH DATE: 17/05/05 DRAWN BY: AJH DATE: 17/05/05 AUTH: DATE: AUTH: DATE: AUTH: DATE: FILENAME: 190890	 <small>851 NORTH GARVER ROAD KNOXVILLE, OHIO 45500</small> NORTH AMERICA NAME: 141.094 HS - 005 SIZE DWG. NO: 141094HS-005 SCALE: 1 : 1 (LBS/FT.) SHEET: 1 OF 1
		<small>REV. NEW</small>	



1

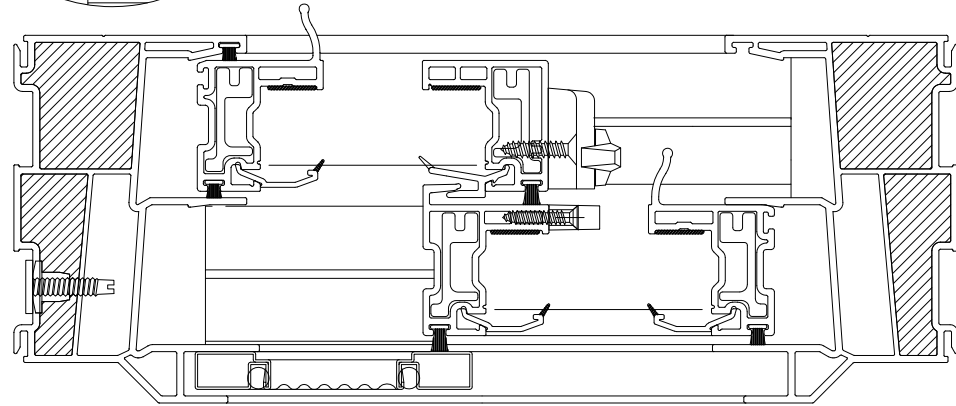
W/ GLAZING BEAD
10008127



4

5

3



	Report #:	G6290-116-45
	Date:	5/17/2017
	Verified by:	<i>[Signature]</i>

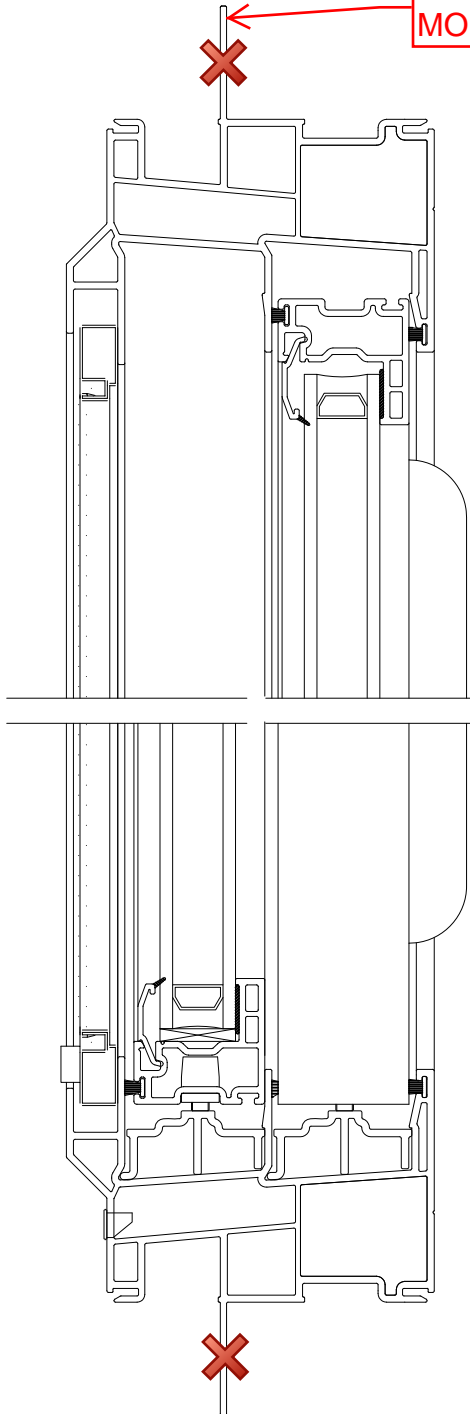
OPT 12 POLYURETHANE FOAM INSULATION

2

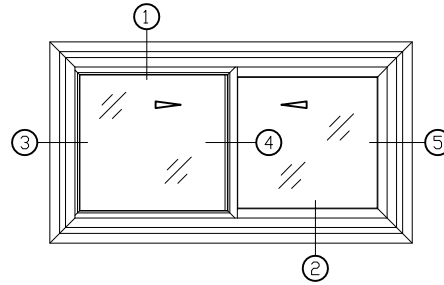
<p>CONFIDENTIAL</p> <p>UNPUBLISHED WORK © 2017 DECEUNINCK NORTH AMERICA</p> <p>THIS DOCUMENT CONTAINS PROPRIETARY AND CONFIDENTIAL INFORMATION. DO NOT COPY OR DISCLOSE THIS INFORMATION WITHOUT THE EXPRESS WRITTEN CONSENT OF DECEUNINCK NORTH AMERICA. DECEUNINCK NORTH AMERICA RESERVES THE RIGHT TO CHANGE THIS DRAWING AND ANY ASSOCIATED DOCUMENTS.</p>	<p>THIRD ANGLE PROJECTION</p>	DESIGN BY: JCH DATE: 17/05/05 DRAWN BY: AJH DATE: 17/05/05 AUTH: DATE: AUTH: DATE: AUTH: DATE: FILENAME: 190890	<p>851 NORTH GARVER ROAD KNOXVILLE, OHIO 45500</p> <p>NORTH AMERICA</p> <p>NAME: 141.094 HS - 005</p> <p>SIZE DWG. NO: 141094HS-005 SCALE: 1 : 1 (LBS/FT.) SHEET: 1 OF 1</p>
		<p>REV: NEW</p>	

REVISION HISTORY			
REV	DESCRIPTION	DATE	APPROVED
-	DESCRIPTION	DATE	APPROVED

NAILING FIN NOT MODELED (TYP)



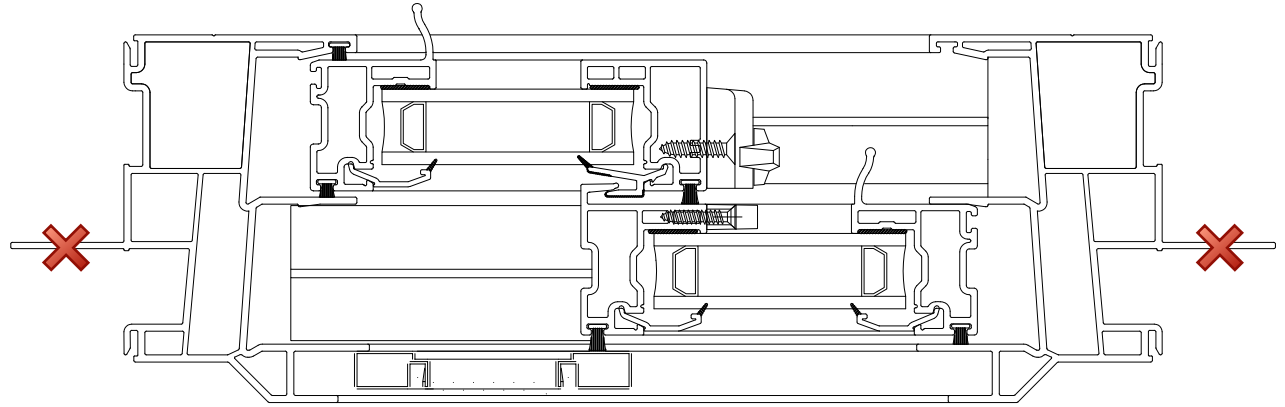
1



3

4

5







 Report #: G6290-116-45
 Date: 5/17/2017
 Verified by: *[Signature]*

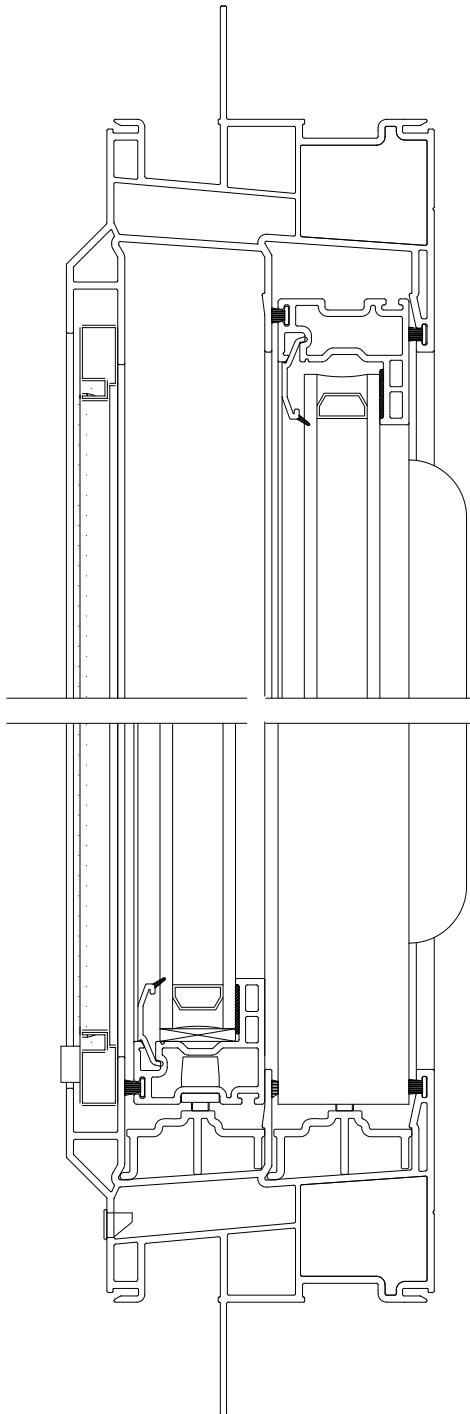
OPT 1

2

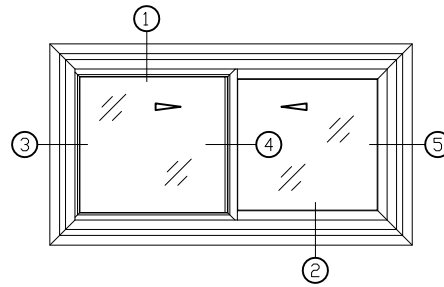
<p>CONFIDENTIAL</p> <p>UNPUBLISHED WORK © 2008 DECEUNINCK NORTH AMERICA</p> <p>THIS DOCUMENT CONTAINS PROPRIETARY AND CONFIDENTIAL INFORMATION. DO NOT COPY OR DISCLOSE THIS INFORMATION WITHOUT THE EXPRESS WRITTEN CONSENT OF DECEUNINCK NORTH AMERICA. DECEUNINCK NORTH AMERICA RESERVES THE RIGHT TO CHANGE THIS DRAWING AND ANY ASSOCIATED DOCUMENTS.</p>	<p>UNLESS OTHERWISE SPECIFIED DIM ARE IN INCHES TOL ON ANGLES ± 1°</p> <p>2 PL: ± 0.010" 3 PL: ± 0.005" INTERPRET DIM AND TOL PER ASME Y14.5M - 1994</p> <p>THIRD ANGLE PROJECTION</p> 	DESIGN BY: CRB DATE: 01/07/18 DRAWN BY: CRB DATE: 08/18/08 AUTH: DATE: AUTH: DATE: AUTH: DATE: FILENAME: 74227	<p>deceuninck </p> <p>NORTH AMERICA</p> <p>NAME: 142094 HS-002</p> <p>SIZE DWG. NO: 142094HS-002 SCALE: 1 : 1 (LBS/FT.)</p>	<p>REV. NEW</p>
		<p>351 NORTH GARVER ROAD KEOWEE, OHIO 45050</p>		

CAD MAINTAINED. CHANGES SHALL BE INCORPORATED BY THE DESIGN ACTIVITY.

REVISION HISTORY			
REV	DESCRIPTION	DATE	APPROVED
-	DESCRIPTION	DATE	APPROVED



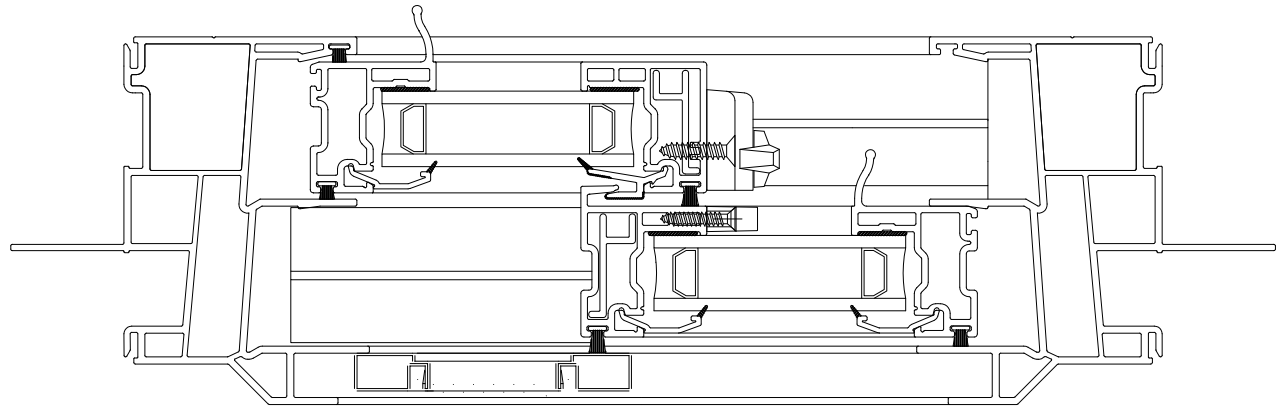
1



3

4

5



	Report #:	G6290-116-45
	Date:	5/17/2017
	Verified by:	<i>[Signature]</i>

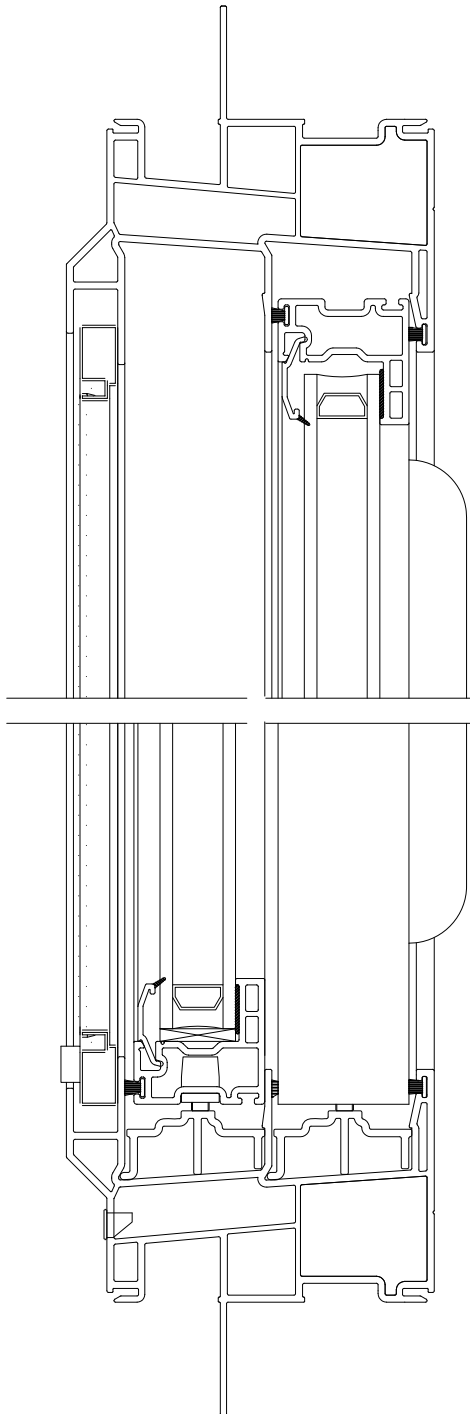
OPT 2

2

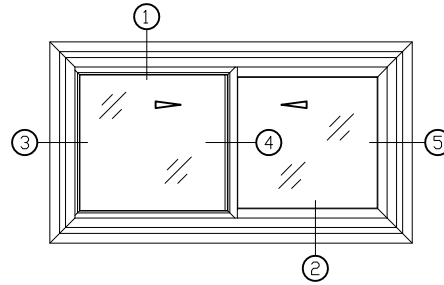
<p>CONFIDENTIAL</p> <p>UNPUBLISHED WORK © 2008 DECEUNINCK NORTH AMERICA</p> <p>THIS DOCUMENT CONTAINS PROPRIETARY AND CONFIDENTIAL INFORMATION. DO NOT COPY OR DISCLOSE THIS INFORMATION WITHOUT THE EXPRESS WRITTEN CONSENT OF DECEUNINCK NORTH AMERICA. DECEUNINCK NORTH AMERICA RESERVES THE RIGHT TO CHANGE THIS DRAWING AND ANY ASSOCIATED DOCUMENTS.</p>	<p>UNLESS OTHERWISE SPECIFIED DIM ARE IN INCHES TOL ON ANGLES ± 1°</p> <p>2 PL: ± 0.010" 3 PL: ± 0.005" INTERPRET DIM AND TOL PER ASME Y14.5M - 1994</p>	<p>DESIGN BY: CRB</p> <p>DATE: 01/07/18</p> <p>DRAWN BY: CRB</p> <p>DATE: 08/18/08</p> <p>AUTH: DATE:</p> <p>AUTH: DATE:</p> <p>AUTH: DATE:</p> <p>FILENAME: 74227</p>	<p>deceuninck NORTH AMERICA</p> <p>NAME: 142094 HS-002</p> <p>SIZE DWG. NO: 142094HS-002</p> <p>SCALE: 1 : 1 (LBS/FT.)</p>
	<p>THIRD ANGLE PROJECTION</p>	<p>REV. NEW</p>	<p>351 NORTH GARVER ROAD KEOWEE, OHIO 45050</p>
	<p>74227</p>	<p>REV. NEW</p>	<p>REV. NEW</p>
	<p>74227</p>	<p>REV. NEW</p>	<p>REV. NEW</p>

CAD MAINTAINED. CHANGES SHALL BE INCORPORATED BY THE DESIGN ACTIVITY.

REVISION HISTORY			
REV	DESCRIPTION	DATE	APPROVED
-	DESCRIPTION	DATE	APPROVED



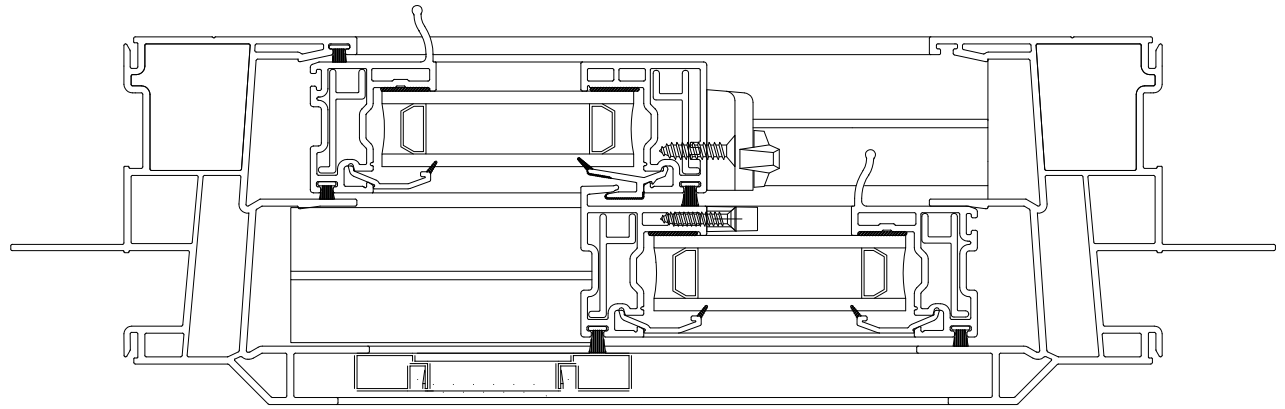
1



3

4

5



	Report #:	G6290-116-45
	Date:	5/17/2017
	Verified by:	<i>[Signature]</i>

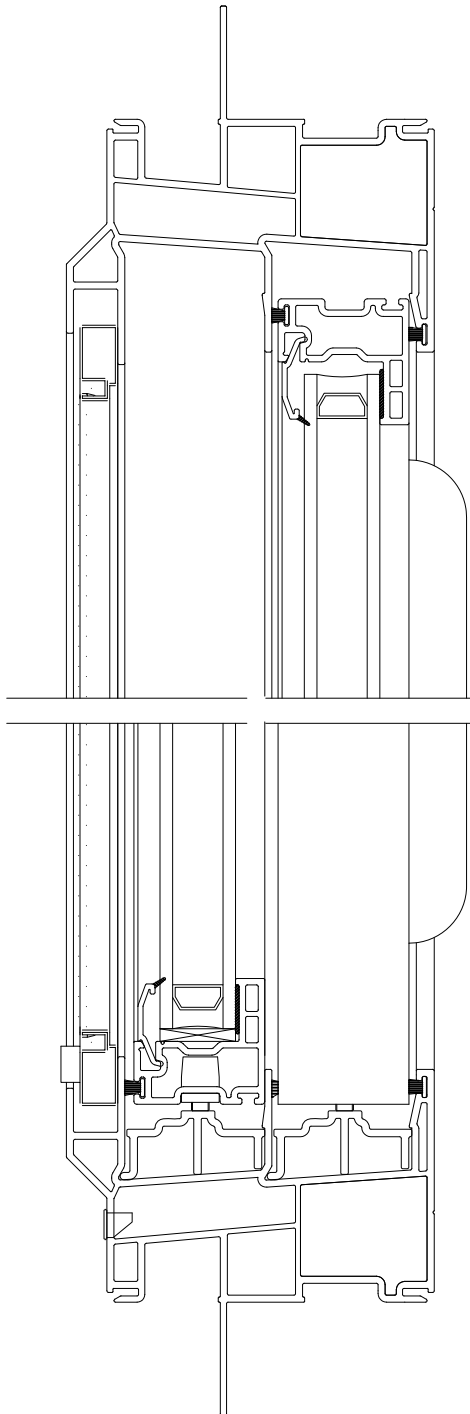
OPT 3

2

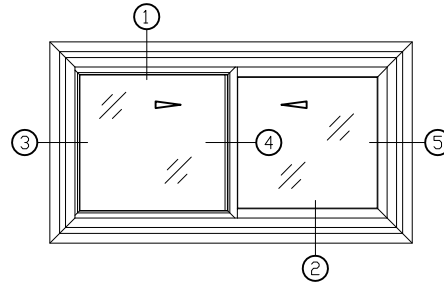
<p>CONFIDENTIAL</p> <p>UNPUBLISHED WORK © 2008 DECEUNINCK NORTH AMERICA</p> <p>THIS DOCUMENT CONTAINS PROPRIETARY AND CONFIDENTIAL INFORMATION. DO NOT COPY OR DISCLOSE THIS INFORMATION WITHOUT THE EXPRESS WRITTEN CONSENT OF DECEUNINCK NORTH AMERICA. DECEUNINCK NORTH AMERICA RESERVES THE RIGHT TO CHANGE THIS DRAWING AND ANY ASSOCIATED DOCUMENTS.</p>	<p>UNLESS OTHERWISE SPECIFIED DIM ARE IN INCHES TOL ON ANGLES ± 1°</p> <p>2 PL: ± 0.010" 3 PL: ± 0.005" INTERPRET DIM AND TOL PER ASME Y14.5M - 1994</p>	<p>DESIGN BY: CRB</p> <p>DATE: 01/07/18</p> <p>DRAWN BY: CRB</p> <p>DATE: 08/18/08</p> <p>AUTH: DATE:</p> <p>AUTH: DATE:</p> <p>AUTH: DATE:</p> <p>FILENAME: 74227</p>	<p>deceuninck </p> <p>NORTH AMERICA</p> <p>351 NORTH GARVER ROAD KEOWEE, OHIO 45050</p>	
	<p>THIRD ANGLE PROJECTION</p> <p></p>	<p>NAME: 142094 HS-002</p>	<p>SIZE DWG. NO: 142094HS-002</p> <p>SCALE: 1 : 1 (LBS/FT.)</p>	<p>REV. NEW</p>

CAD MAINTAINED. CHANGES SHALL BE INCORPORATED BY THE DESIGN ACTIVITY.

REVISION HISTORY			
REV	DESCRIPTION	DATE	APPROVED
-	DESCRIPTION	DATE	APPROVED



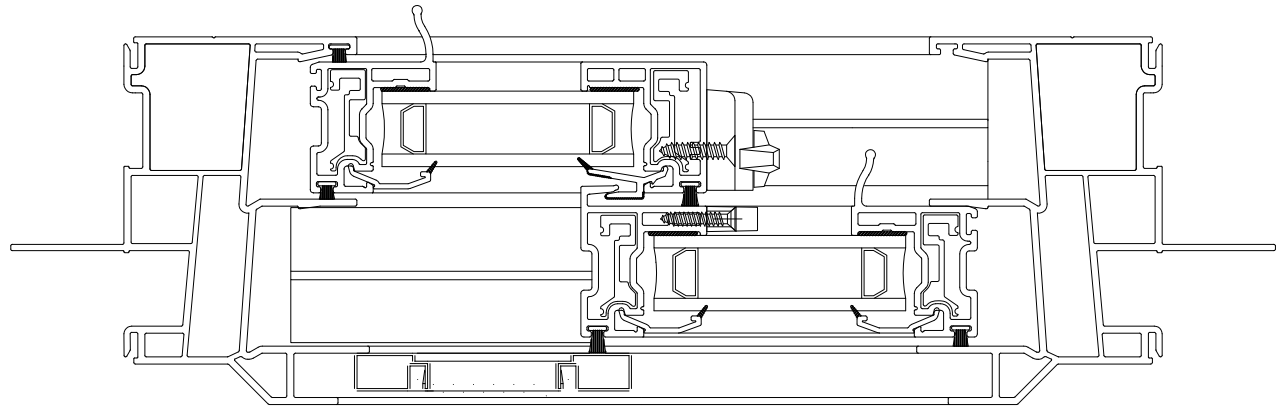
1



3

4

5



	Report #:	G6290-116-45
	Date:	5/17/2017
	Verified by:	<i>[Signature]</i>

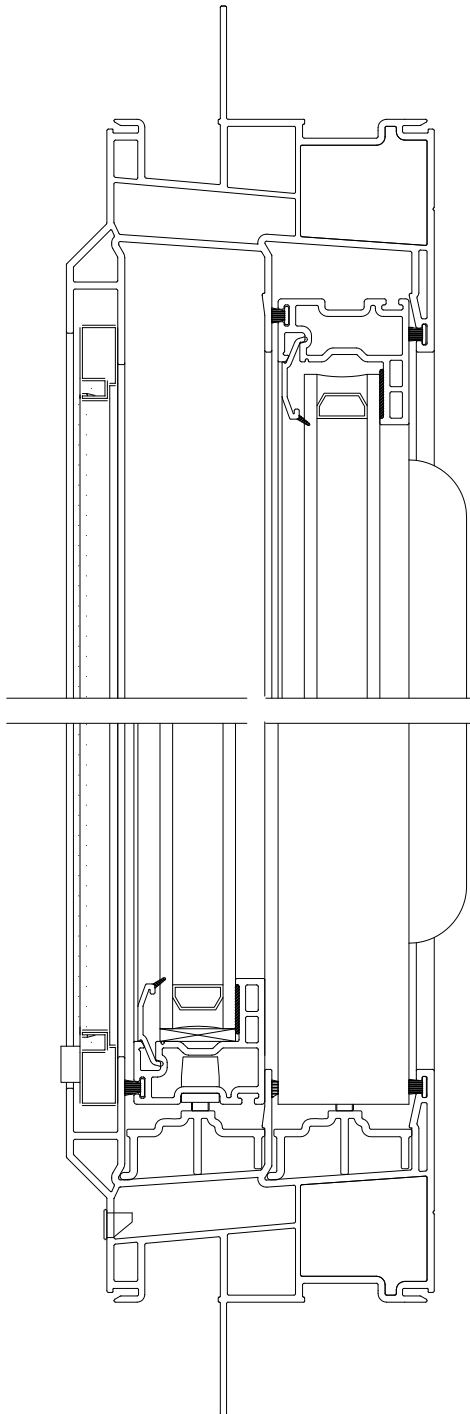
OPT 4

2

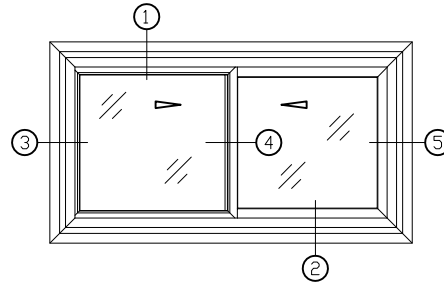
CONFIDENTIAL UNPUBLISHED WORK © 2008 DECEUNINCK NORTH AMERICA THIS DOCUMENT CONTAINS PROPRIETARY AND CONFIDENTIAL INFORMATION. DO NOT COPY OR DISCLOSE THIS INFORMATION WITHOUT THE EXPRESS WRITTEN CONSENT OF DECEUNINCK NORTH AMERICA. DECEUNINCK NORTH AMERICA RESERVES THE RIGHT TO CHANGE THIS DRAWING AND ANY ASSOCIATED DOCUMENTS.	UNLESS OTHERWISE SPECIFIED DIM ARE IN INCHES TOL ON ANGLES ± 1° 2 PL: ± 0.010" 3 PL: ± 0.005" INTERPRET DIM AND TOL PER ASME Y14.5M - 1994	DESIGN BY: CRB DATE: 01/07/18 DRAWN BY: CRB DATE: 08/18/08 AUTH: DATE: AUTH: DATE: AUTH: DATE: FILENAME: 74227	351 NORTH GARVER ROAD KEOSAUQUO, OHIO 45050 NORTH AMERICA NAME: 142094 HS-002 SIZE DWG. NO: 142094HS-002 SCALE: 1 : 1 (LBS/FT.) SHEET: NEW
	THIRD ANGLE PROJECTION 		

CAD MAINTAINED. CHANGES SHALL BE INCORPORATED BY THE DESIGN ACTIVITY.

REVISION HISTORY			
REV	DESCRIPTION	DATE	APPROVED
-	DESCRIPTION	DATE	APPROVED



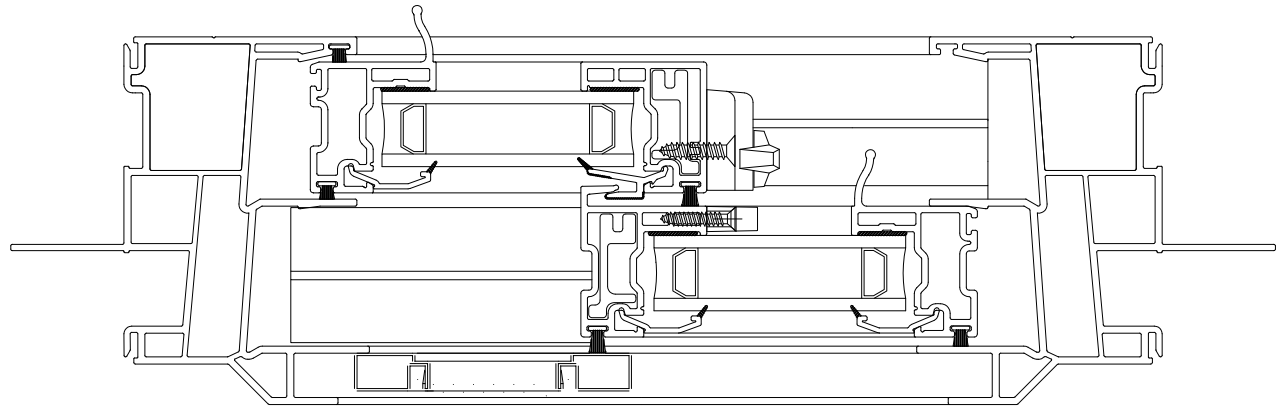
1



3

4



5



 	Report #:	G6290-116-45
	Date:	5/17/2017
	Verified by:	

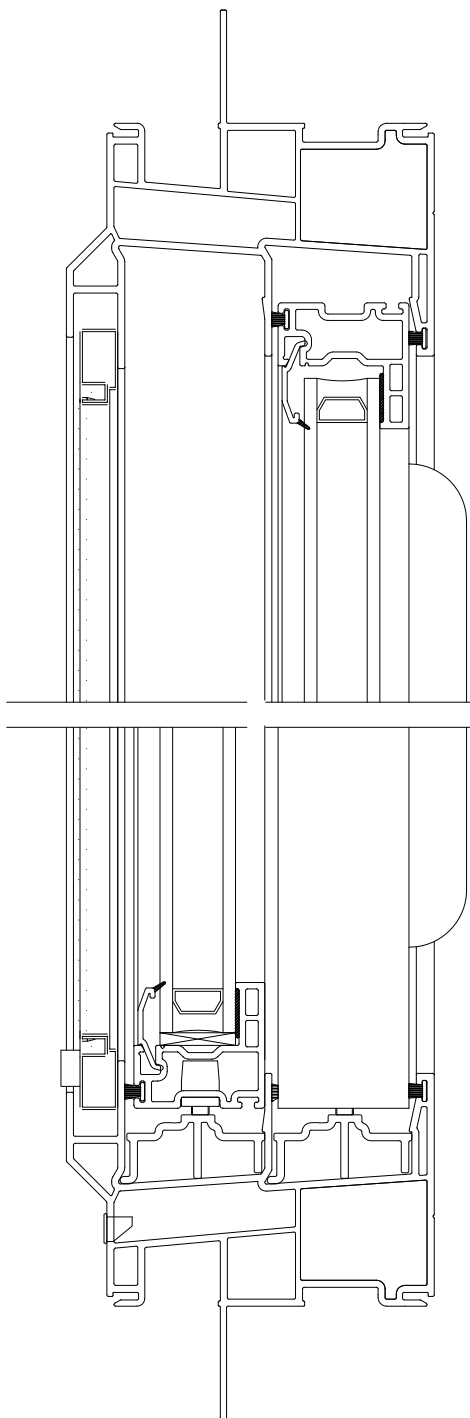
OPT 5

2

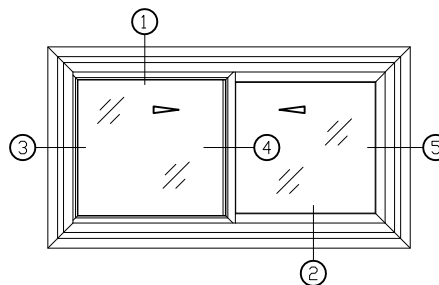
CONFIDENTIAL UNPUBLISHED WORK © 2008 DECEUNINCK NORTH AMERICA THIS DOCUMENT CONTAINS PROPRIETARY AND CONFIDENTIAL INFORMATION. DO NOT COPY OR DISCLOSE THIS INFORMATION WITHOUT THE EXPRESS WRITTEN CONSENT OF DECEUNINCK NORTH AMERICA. DECEUNINCK NORTH AMERICA RESERVES THE RIGHT TO CHANGE THIS DRAWING AND ANY ASSOCIATED DOCUMENTS.	UNLESS OTHERWISE SPECIFIED DIM ARE IN INCHES TOL ON ANGLES ± 1° 2 PL: ± 0.010" 3 PL: ± 0.005" INTERPRET DIM AND TOL PER ASME Y14.5M - 1994	DESIGN BY:	CRB	 351 NORTH GARVER ROAD KEOWEE, OHIO 45050 NORTH AMERICA	
		DATE:	01/07/18		NAME:
THIRD ANGLE PROJECTION 		DRAWN BY:	CRB	REV:	NEW
		AUTH:	DATE:	08/18/08	SCALE:
		AUTH:	DATE:		
		AUTH:	DATE:		
		FILENAME:	74227	SIZE DWG. NO:	142094HS-002
				SHEET:	

CAD MAINTAINED. CHANGES SHALL BE INCORPORATED BY THE DESIGN ACTIVITY.

REVISION HISTORY			
REV	DESCRIPTION	DATE	APPROVED
-	DESCRIPTION	DATE	APPROVED



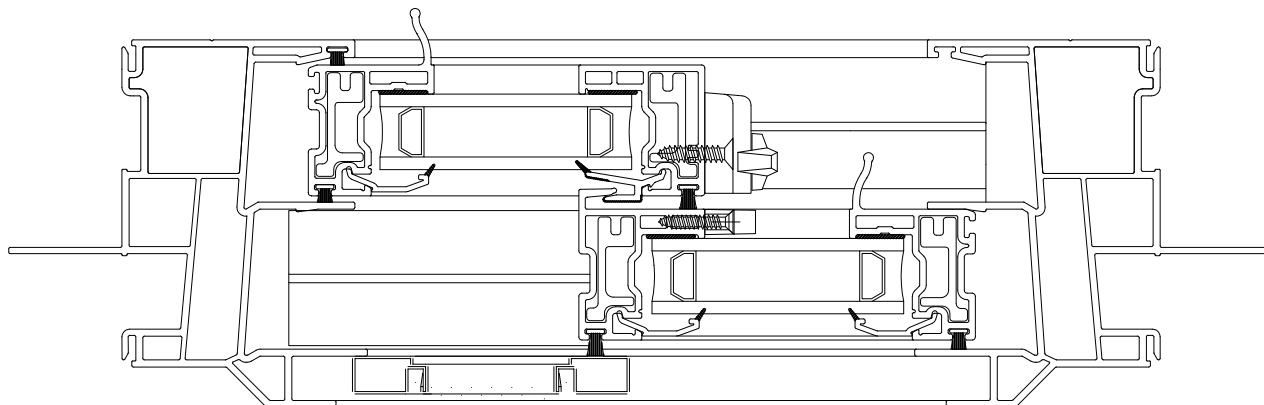
1



3

4

5



	Report #:	G6290-116-45
	Date:	5/17/2017
	Verified by:	<i>[Signature]</i>

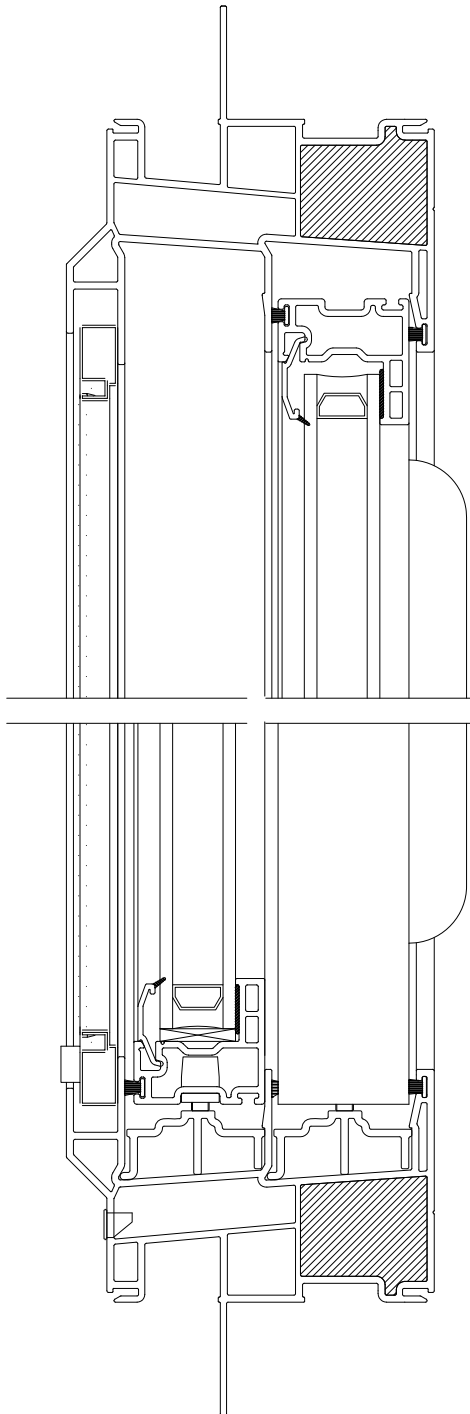
OPT 6

2

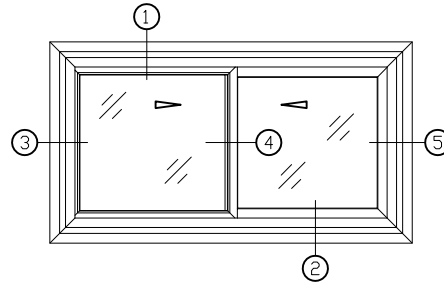
CONFIDENTIAL UNPUBLISHED WORK © 2008 DECEUNINCK NORTH AMERICA THIS DOCUMENT CONTAINS PROPRIETARY AND CONFIDENTIAL INFORMATION. DO NOT COPY OR DISCLOSE THIS INFORMATION WITHOUT THE EXPRESS WRITTEN CONSENT OF DECEUNINCK NORTH AMERICA. DECEUNINCK NORTH AMERICA RESERVES THE RIGHT TO CHANGE THIS DRAWING AND ANY ASSOCIATED DOCUMENTS.	UNLESS OTHERWISE SPECIFIED DIM ARE IN INCHES TOL ON ANGLES ± 1° 2 PL: ± 0.010" 3 PL: ± 0.005" INTERPRET DIM AND TOL PER ASME Y14.5M - 1994	DESIGN BY: CRB DATE: 01/07/18 DRAWN BY: CRB DATE: 08/18/08 AUTH: DATE: AUTH: DATE: AUTH: DATE: FILENAME: 74227	351 NORTH GARVER ROAD KEOWEE, OHIO 45050 NORTH AMERICA NAME: 142094 HS-002 SIZE DWG. NO: 142094HS-002 SCALE: 1 : 1 (LBS/FT.)
	THIRD ANGLE PROJECTION 	REV. NEW	

CAD MAINTAINED. CHANGES SHALL BE INCORPORATED BY THE DESIGN ACTIVITY.

REVISION HISTORY			
REV	DESCRIPTION	DATE	APPROVED
-	DESCRIPTION	DATE	APPROVED



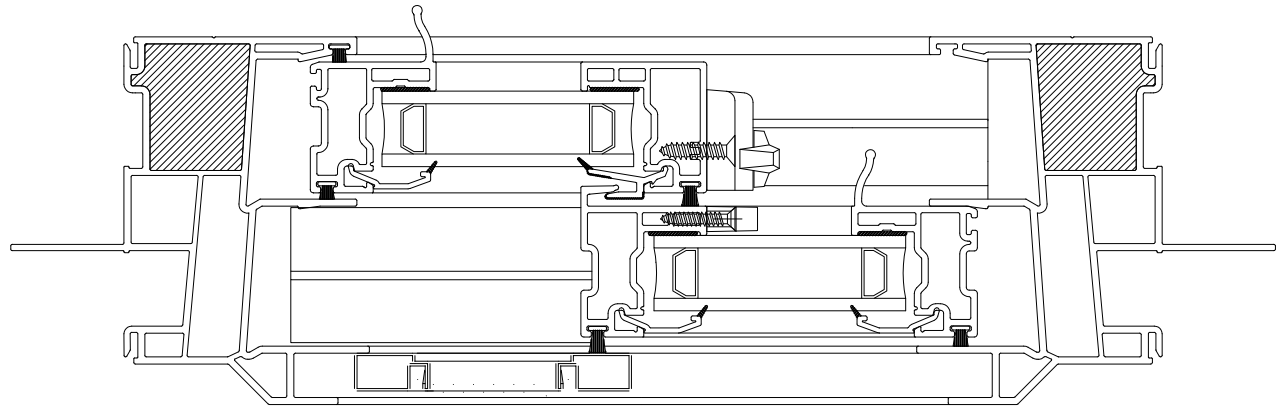
1



3

4

5



2

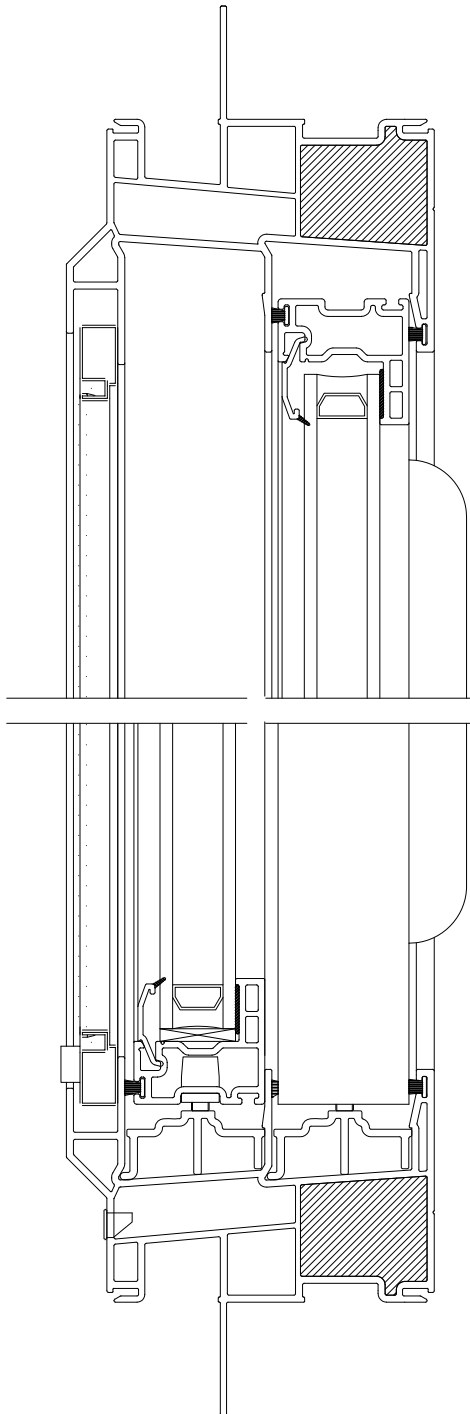
	Report #:	G6290-116-45
	Date:	5/17/2017
	Verified by:	<i>[Signature]</i>

OPT 7 POLYURETHANE FOAM INSULATION

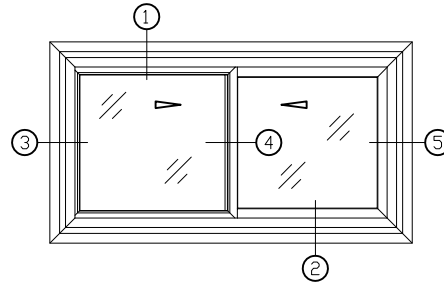
<p>CONFIDENTIAL</p> <p>UNPUBLISHED WORK © 2008 DECEUNINCK NORTH AMERICA</p> <p>THIS DOCUMENT CONTAINS PROPRIETARY AND CONFIDENTIAL INFORMATION. DO NOT COPY OR DISCLOSE THIS INFORMATION WITHOUT THE EXPRESS WRITTEN CONSENT OF DECEUNINCK NORTH AMERICA. DECEUNINCK NORTH AMERICA RESERVES THE RIGHT TO CHANGE THIS DRAWING AND ANY ASSOCIATED DOCUMENTS.</p>	<p>UNLESS OTHERWISE SPECIFIED DIM ARE IN INCHES TOL ON ANGLES ± 1°</p> <p>2 PL ± 0.010" 3 PL ± 0.005" INTERPRET DIM AND TOL PER ASME Y14.5M - 1994</p> <p>THIRD ANGLE PROJECTION</p>	DESIGN BY: CRB	<p>NORTH AMERICA</p> <p>142094 HS-002</p>	
		DATE: 01/07/18		NAME:
		DRAWN BY: CRB		DATE: 08/18/08
		DATE: 08/18/08		SCALE: 1 : 1 (LBS/FT.)
		FILENAME: 74227	REV: NEW	

CAD MAINTAINED. CHANGES SHALL BE INCORPORATED BY THE DESIGN ACTIVITY.

REVISION HISTORY			
REV	DESCRIPTION	DATE	APPROVED
-	DESCRIPTION	DATE	APPROVED



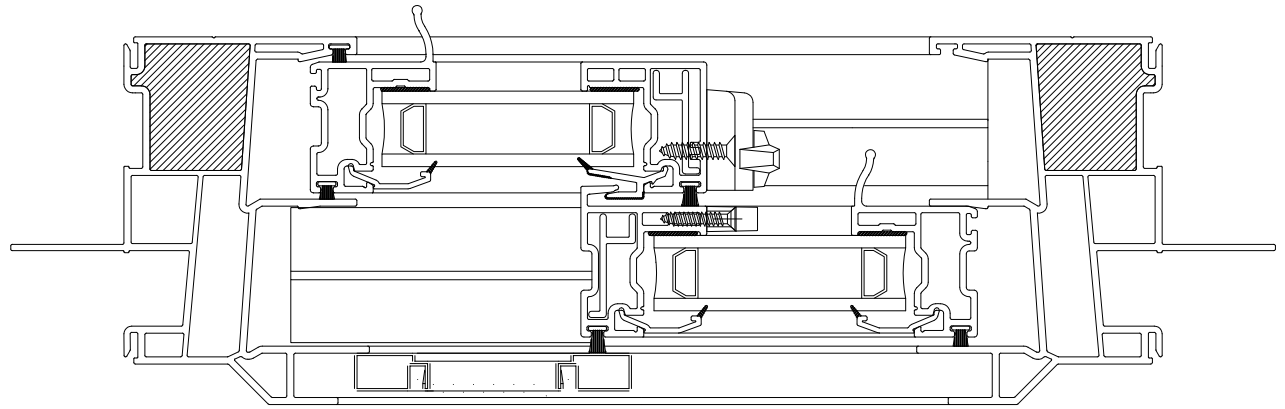
1



3

4

5



	Report #:	G6290-116-45
	Date:	5/17/2017
	Verified by:	

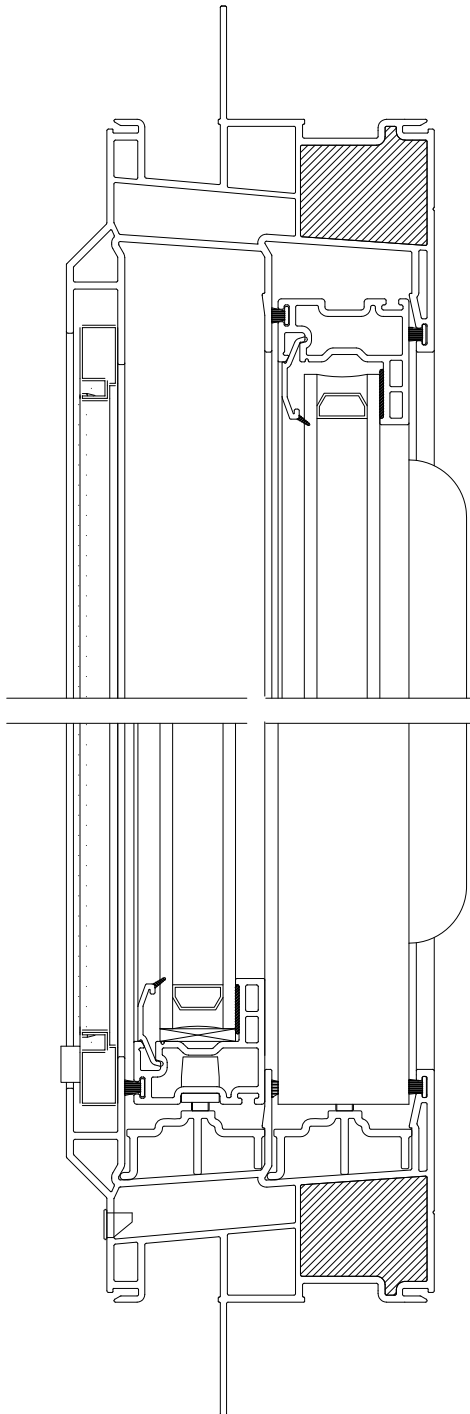
OPT 8 POLYURETHANE FOAM INSULATION

2

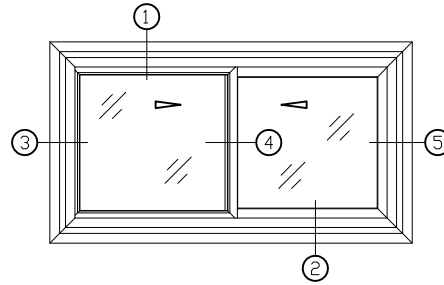
CONFIDENTIAL UNPUBLISHED WORK © 2008 DECEUNINCK NORTH AMERICA THIS DOCUMENT CONTAINS PROPRIETARY AND CONFIDENTIAL INFORMATION. DO NOT COPY OR DISCLOSE THIS INFORMATION WITHOUT THE EXPRESS WRITTEN CONSENT OF DECEUNINCK NORTH AMERICA. DECEUNINCK NORTH AMERICA RESERVES THE RIGHT TO CHANGE THIS DRAWING AND ANY ASSOCIATED DOCUMENTS.	UNLESS OTHERWISE SPECIFIED DIM ARE IN INCHES TOL ON ANGLES ± 1° 2 PL: ± 0.010" 3 PL: ± 0.005" INTERPRET DIM AND TOL PER ASME Y14.5M - 1994	DESIGN BY: CRB	351 NORTH GARVER ROAD KEOWEE, OHIO 45050 NORTH AMERICA
		DATE: 01/07/18	
		DRAWN BY: CRB	142094 HS-002
		DATE: 08/18/08	SIZE DWG. NO: 142094HS-002
		AUTH: DATE:	SCALE: 1 : 1 (LBS/FT.)
		AUTH: DATE:	SHEET: NEW
		FILENAME: 74227	

CAD MAINTAINED. CHANGES SHALL BE INCORPORATED BY THE DESIGN ACTIVITY.

REVISION HISTORY			
REV	DESCRIPTION	DATE	APPROVED
-	DESCRIPTION	DATE	APPROVED



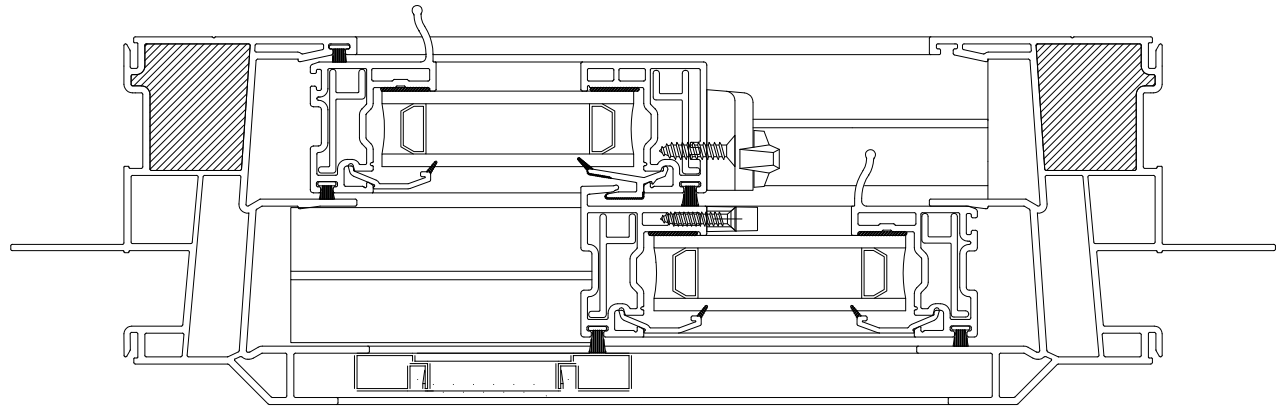
1



3

4

5



	Report #:	G6290-116-45
	Date:	5/17/2017
	Verified by:	<i>[Signature]</i>

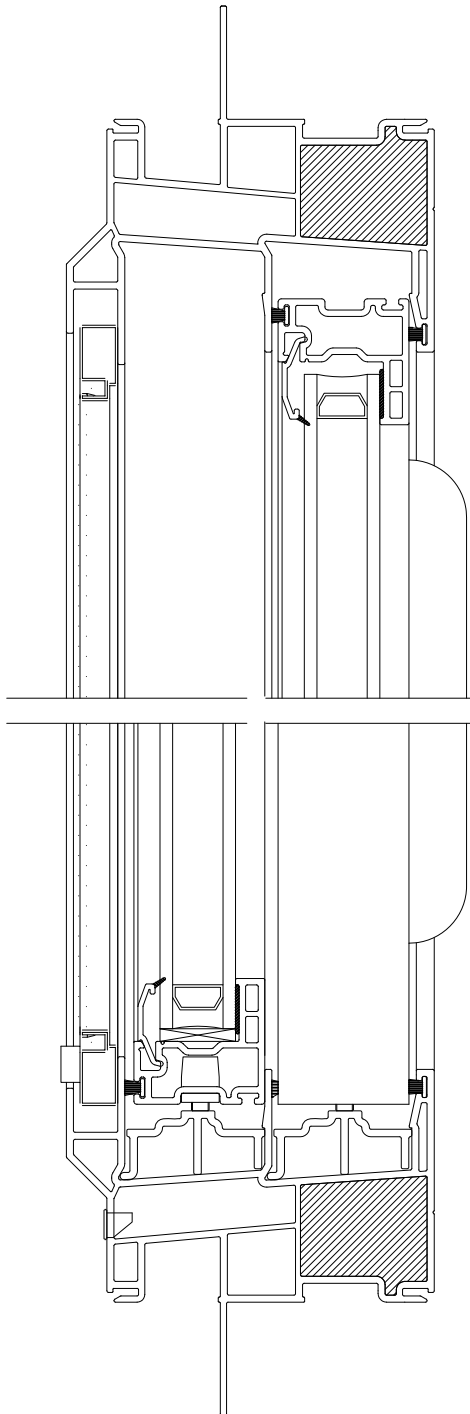
OPT 9 POLYURETHANE FOAM INSULATION

2

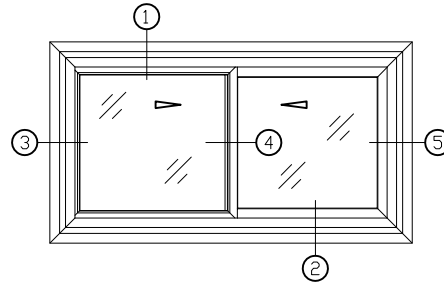
<p>CONFIDENTIAL</p> <p>UNPUBLISHED WORK © 2008 DECEUNINCK NORTH AMERICA</p> <p>THIS DOCUMENT CONTAINS PROPRIETARY AND CONFIDENTIAL INFORMATION. DO NOT COPY OR DISCLOSE THIS INFORMATION WITHOUT THE EXPRESS WRITTEN CONSENT OF DECEUNINCK NORTH AMERICA. DECEUNINCK NORTH AMERICA RESERVES THE RIGHT TO CHANGE THIS DRAWING AND ANY ASSOCIATED DOCUMENTS.</p>	<p>UNLESS OTHERWISE SPECIFIED DIM ARE IN INCHES TOL ON ANGLES ± 1°</p> <p>2 PL: ± 0.010" 3 PL: ± 0.005" INTERPRET DIM AND TOL PER ASME Y14.5M - 1994</p> <p>THIRD ANGLE PROJECTION</p>	DESIGN BY: CRB	<p>NORTH AMERICA</p> <p>142094 HS-002</p>	
		DATE: 01/07/18		NAME:
		DRAWN BY: CRB		DATE: 08/18/08
		AUTH: DATE:		SCALE: 1 : 1 (LBS/FT.)
AUTH: DATE:	FILENAME: 74227	REV: NEW		

CAD MAINTAINED. CHANGES SHALL BE INCORPORATED BY THE DESIGN ACTIVITY.

REVISION HISTORY			
REV	DESCRIPTION	DATE	APPROVED
-	DESCRIPTION	DATE	APPROVED



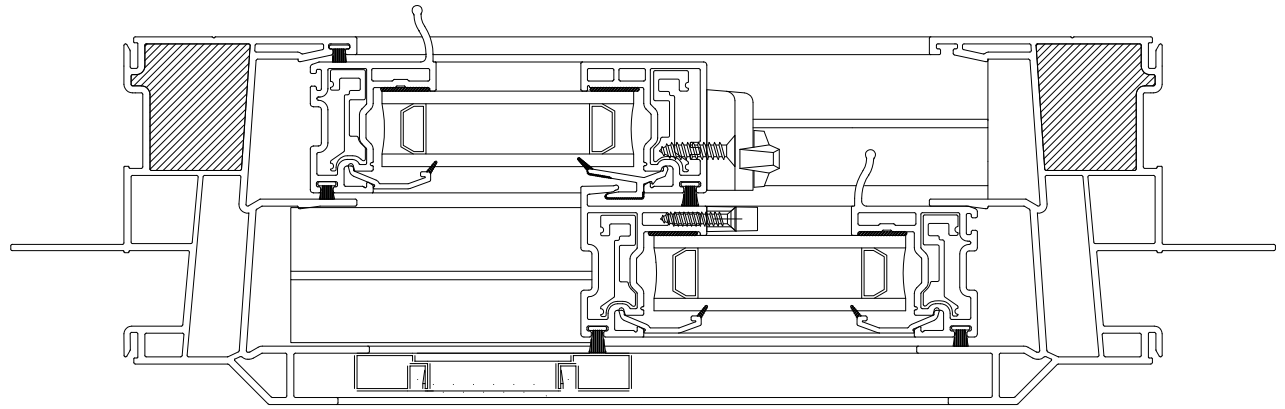
1



3

4

5



	Report #:	G6290-116-45
	Date:	5/17/2017
	Verified by:	<i>[Signature]</i>

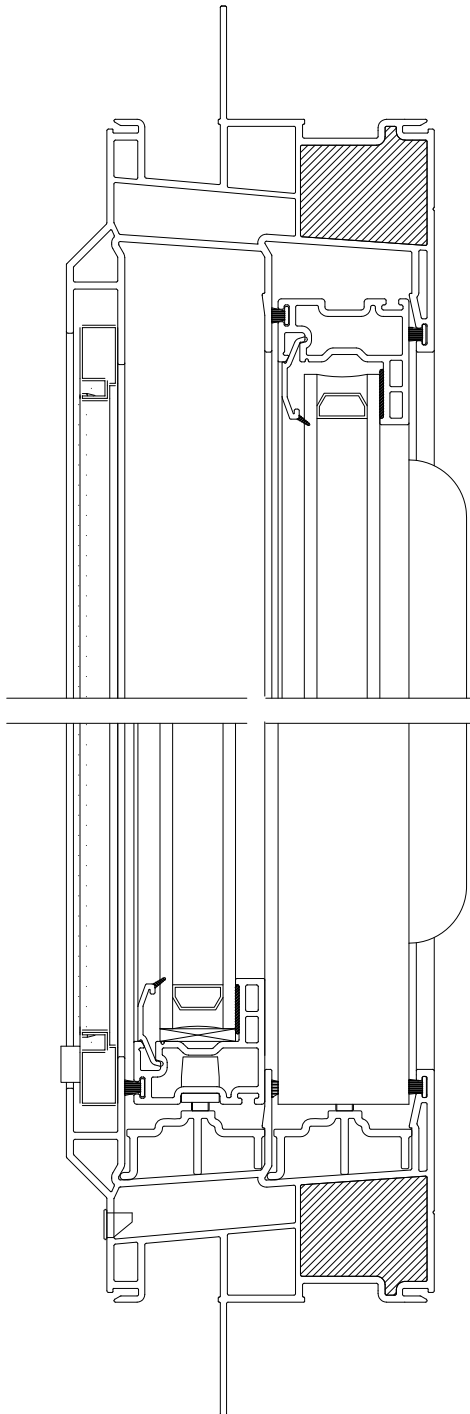
OPT 10 POLYURETHANE FOAM INSULATION

2

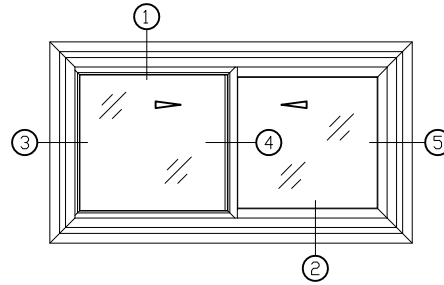
CONFIDENTIAL UNPUBLISHED WORK © 2008 DECEUNINCK NORTH AMERICA THIS DOCUMENT CONTAINS PROPRIETARY AND CONFIDENTIAL INFORMATION. DO NOT COPY OR DISCLOSE THIS INFORMATION WITHOUT THE EXPRESS WRITTEN CONSENT OF DECEUNINCK NORTH AMERICA. DECEUNINCK NORTH AMERICA RESERVES THE RIGHT TO CHANGE THIS DRAWING AND ANY ASSOCIATED DOCUMENTS.	UNLESS OTHERWISE SPECIFIED DIM ARE IN INCHES TOL ON ANGLES ± 1° 2 PL: ± 0.010" 3 PL: ± 0.005" INTERPRET DIM AND TOL PER ASME Y14.5M - 1994	DESIGN BY: CRB	351 NORTH GARVER ROAD KEVOCHE, OHIO 45050 NORTH AMERICA
		DATE: 01/07/18	
		DRAWN BY: CRB	142094 HS-002
		DATE: 08/18/08	SIZE DWG. NO: 142094HS-002
		AUTH: DATE:	SCALE: 1 : 1 (LBS/FT.)
		AUTH: DATE:	SHEET: NEW
		FILENAME: 74227	

CAD MAINTAINED. CHANGES SHALL BE INCORPORATED BY THE DESIGN ACTIVITY.

REVISION HISTORY			
REV	DESCRIPTION	DATE	APPROVED
-	DESCRIPTION	DATE	APPROVED



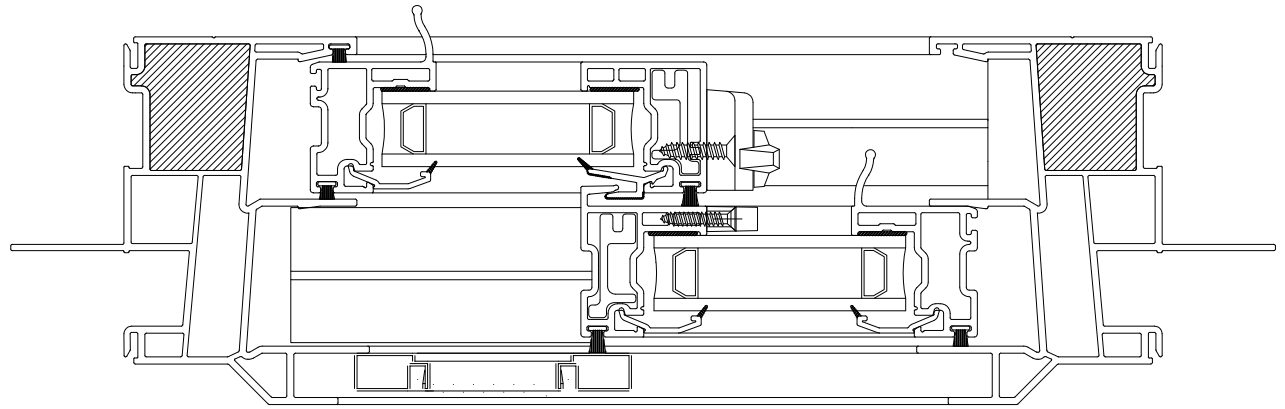
1



3

4

5



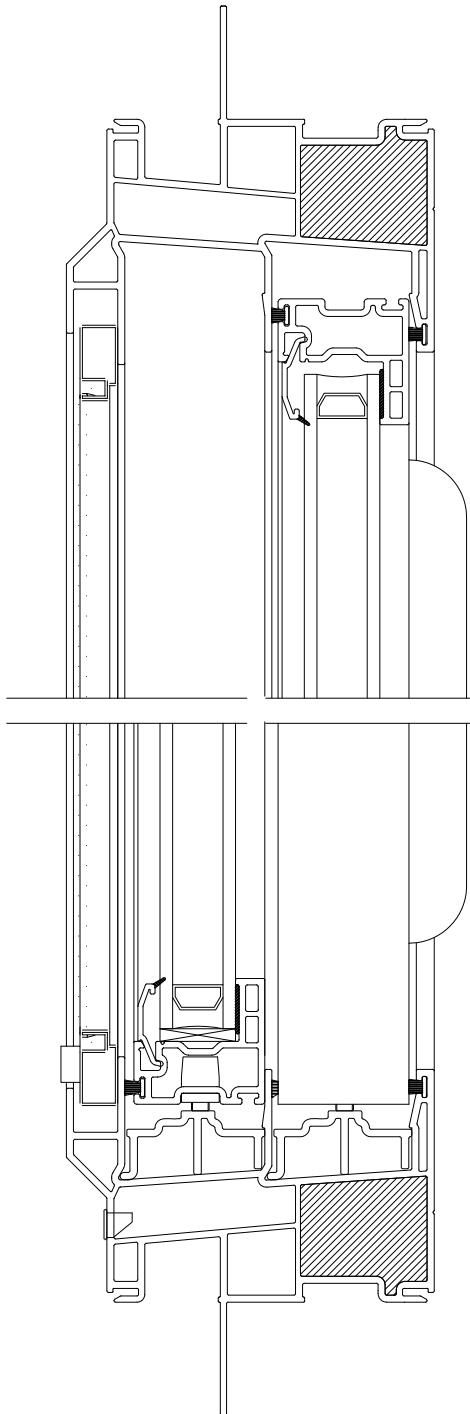
	Report #:	G6290-116-45
	Date:	5/17/2017
	Verified by:	<i>[Signature]</i>

OPT 11 POLYURETHANE FOAM INSULATION

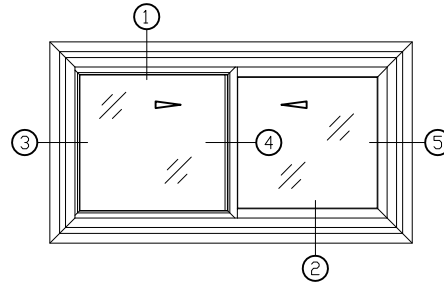
2

<p>CONFIDENTIAL</p> <p>UNPUBLISHED WORK © 2008 DECEUNINCK NORTH AMERICA</p> <p>THIS DOCUMENT CONTAINS PROPRIETARY AND CONFIDENTIAL INFORMATION. DO NOT COPY OR DISCLOSE THIS INFORMATION WITHOUT THE EXPRESS WRITTEN CONSENT OF DECEUNINCK NORTH AMERICA. DECEUNINCK NORTH AMERICA RESERVES THE RIGHT TO CHANGE THIS DRAWING AND ANY ASSOCIATED DOCUMENTS.</p>	<p>UNLESS OTHERWISE SPECIFIED DIM ARE IN INCHES TOL ON ANGLES ± 1° 2 PL: ± 0.010" 3 PL: ± 0.005" INTERPRET DIM AND TOL PER ASME Y14.5M - 1994</p> <p>THIRD ANGLE PROJECTION</p>	DESIGN BY: CRB	<p>NORTH AMERICA</p>	
		DATE: 01/07/18		NAME:
		DRAWN BY: CRB		142094 HS-002
		DATE: 08/18/08		SIZE DWG. NO: 142094HS-002
AUTH: DATE:	SCALE: 1 : 1 (LBS/FT.)	REV: NEW		
AUTH: DATE:	74227	SHEET:		

REVISION HISTORY			
REV	DESCRIPTION	DATE	APPROVED
-	DESCRIPTION	DATE	APPROVED



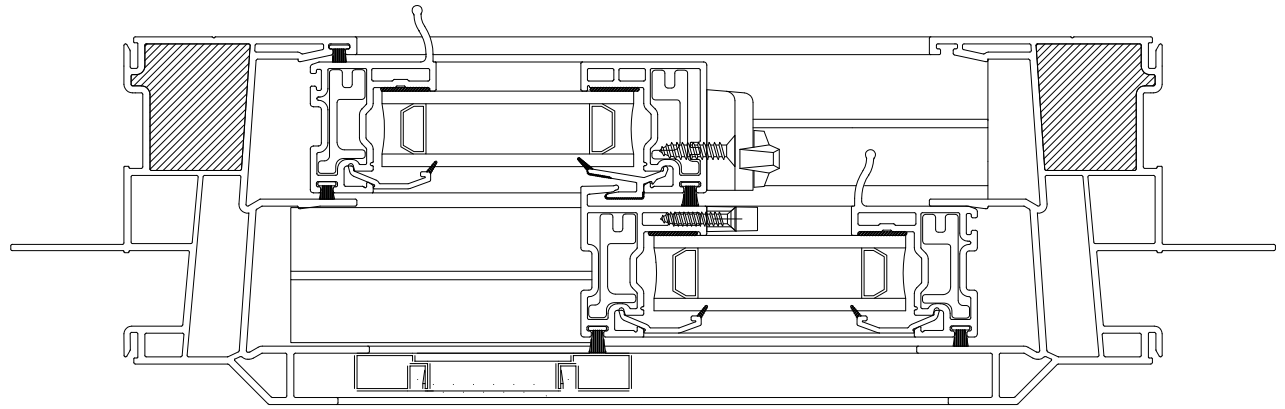
1



3

4

5



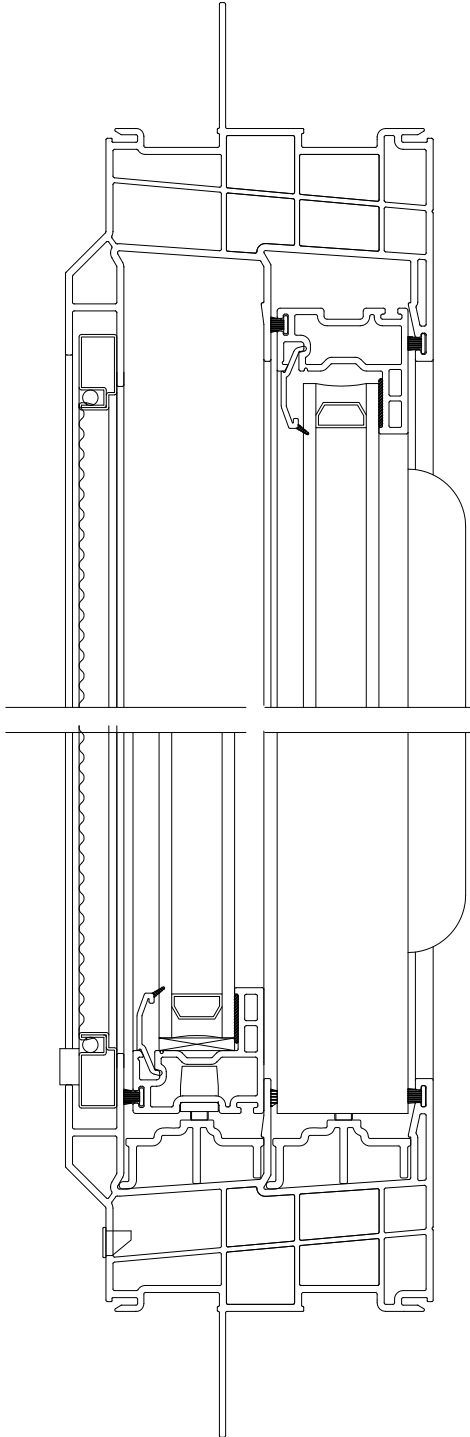
	Report #:	G6290-116-45
	Date:	5/17/2017
	Verified by:	

OPT 12 POLYURETHANE FOAM INSULATION

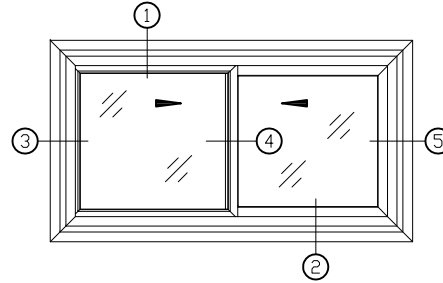
2

<p>CONFIDENTIAL</p> <p>UNPUBLISHED WORK © 2008 DECEUNINCK NORTH AMERICA</p> <p>THIS DOCUMENT CONTAINS PROPRIETARY AND CONFIDENTIAL INFORMATION. DO NOT COPY OR DISCLOSE THIS INFORMATION WITHOUT THE EXPRESS WRITTEN CONSENT OF DECEUNINCK NORTH AMERICA. DECEUNINCK NORTH AMERICA RESERVES THE RIGHT TO CHANGE THIS DRAWING AND ANY ASSOCIATED DOCUMENTS.</p>	<p>UNLESS OTHERWISE SPECIFIED DIM ARE IN INCHES TOL ON ANGLES ± 1° 2 PL: ± 0.010" 3 PL: ± 0.005" INTERPRET DIM AND TOL PER ASME Y14.5M - 1994</p>	<p>DESIGN BY: CRB DATE: 01/07/18 DRAWN BY: CRB DATE: 08/18/08 AUTH: DATE: AUTH: DATE: AUTH: DATE: FILENAME: 74227</p>	<p>deceuninck </p> <p>NORTH AMERICA</p> <p>NAME: 142094 HS-002</p> <p>SIZE DWG. NO: 142094HS-002 SCALE: 1 : 1 (LBS/FT.)</p>
	<p>THIRD ANGLE PROJECTION</p>	<p>REV. NEW</p>	<p>SHEET:</p>
	<p></p>		

REVISION HISTORY			
REV	DESCRIPTION	DATE	APPROVED
-	DESCRIPTION	DATE	APPROVED
-	DESCRIPTION	DATE	APPROVED



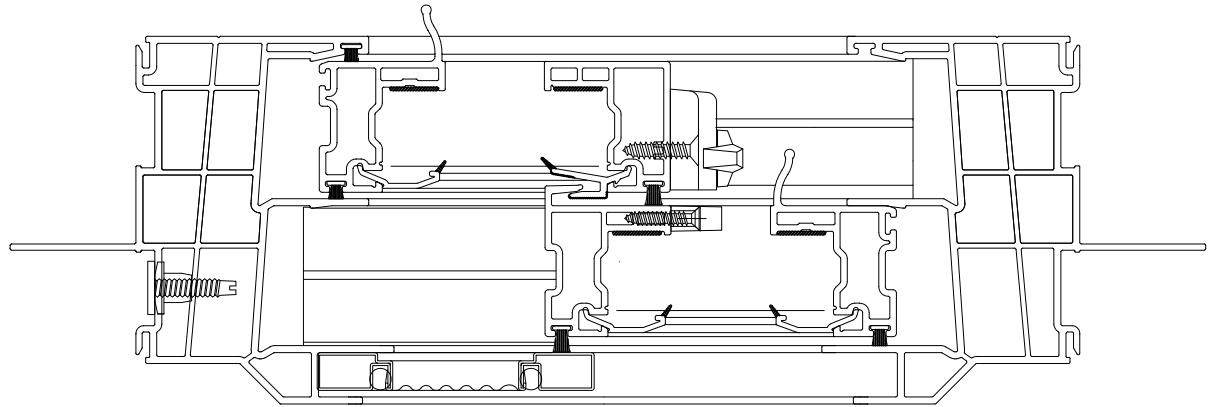
1



3

4

5



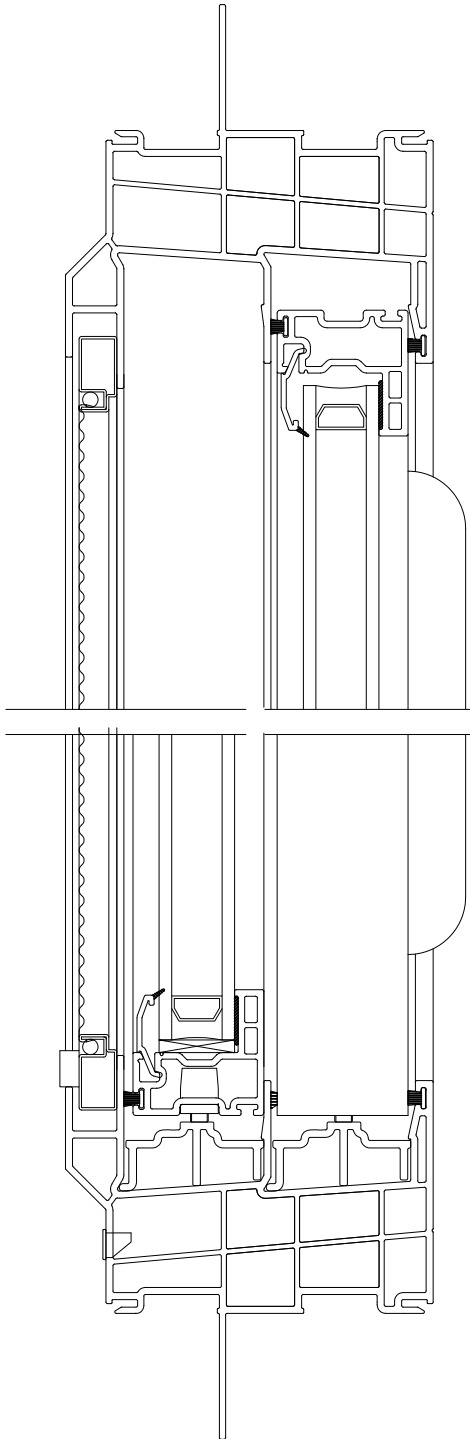
	Report #:	G6290-116-45
	Date:	5/17/2017
	Verified by:	<i>[Signature]</i>

OPT 1

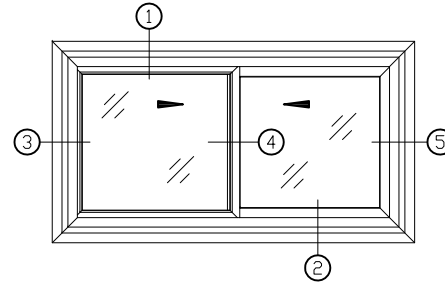
2

<p>CONFIDENTIAL</p> <p>UNPUBLISHED WORK © 2013 DECEUNINCK NORTH AMERICA</p> <p>THIS DOCUMENT CONTAINS PROPRIETARY AND CONFIDENTIAL INFORMATION. DO NOT COPY OR DISCLOSE THIS INFORMATION WITHOUT THE EXPRESS WRITTEN CONSENT OF DECEUNINCK NORTH AMERICA. DECEUNINCK NORTH AMERICA RESERVES THE RIGHT TO CHANGE THIS DRAWING AND ANY ASSOCIATED DOCUMENTS.</p>	<p>UNLESS OTHERWISE SPECIFIED DIM ARE IN INCHES TOL ON ANGLES ± 1° 2 PL ± 0.010" 3 PL ± 0.005" INTERPRET DIM AND TOL PER ASME Y14.5M - 1994</p>	<p>DESIGN BY: BSO DATE: 13/06/26 DRAWN BY: BSO DATE: 13/06/26 AUTH: DATE: AUTH: DATE: AUTH: DATE: FILENAME: 148075</p>	<p>deceuninck NORTH AMERICA</p> <p>351 NORTH GARVER ROAD KEOWEE, OHIO 45001</p>
	<p>THIRD ANGLE PROJECTION</p>	<p>NAME: 148.094 HS - 002</p>	<p>REV: NEW</p>
	<p>SCALE: 1 : 1 (LBS/FT.) N / A</p>	<p>SIZE DWG. NO: 148094HS-002</p>	<p>SHEET: 1 OF 1</p>

REVISION HISTORY			
REV	DESCRIPTION	DATE	APPROVED
-	DESCRIPTION	DATE	APPROVED
-	DESCRIPTION	DATE	APPROVED



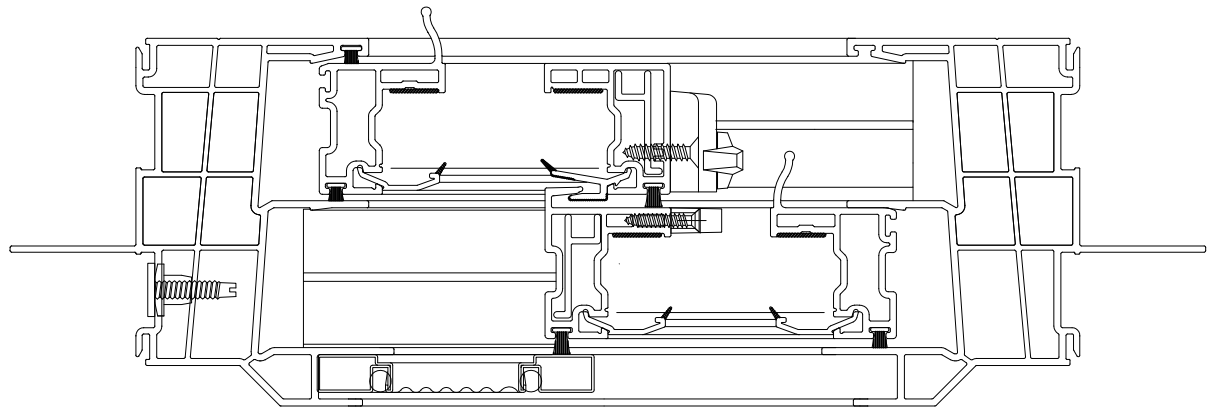
1



3

4

5



2

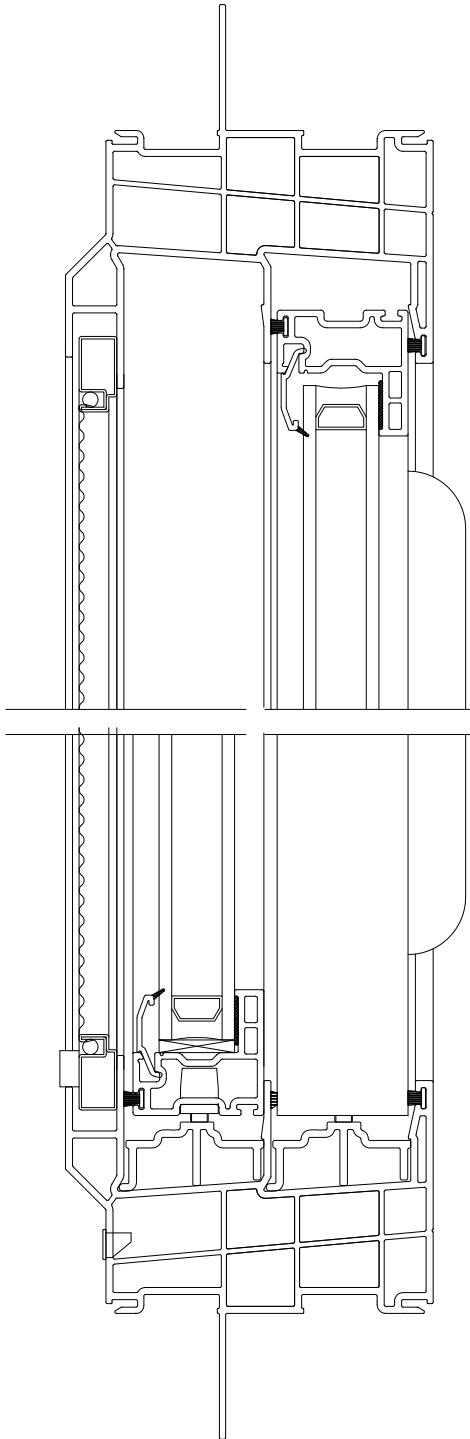
	Report #:	G6290-116-45
	Date:	5/17/2017
	Verified by:	

OPT 2

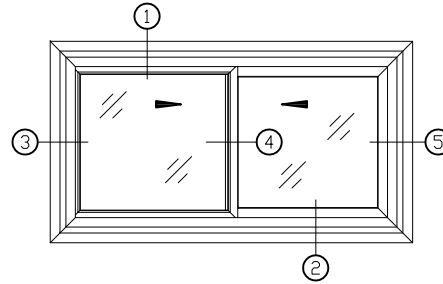
<p>CONFIDENTIAL</p> <p>UNPUBLISHED WORK © 2013 DECEUNINCK NORTH AMERICA</p> <p>THIS DOCUMENT CONTAINS PROPRIETARY AND CONFIDENTIAL INFORMATION. DO NOT COPY OR DISCLOSE THIS INFORMATION WITHOUT THE EXPRESS WRITTEN CONSENT OF DECEUNINCK NORTH AMERICA. DECEUNINCK NORTH AMERICA RESERVES THE RIGHT TO CHANGE THIS DRAWING AND ANY ASSOCIATED DOCUMENTS.</p>	<p>UNLESS OTHERWISE SPECIFIED DIM ARE IN INCHES TOL ON ANGLES ± 1° 2 PL: ± 0.010" 3 PL: ± 0.005" INTERPRET DIM AND TOL PER ASME Y14.5M - 1994</p> <p>THIRD ANGLE PROJECTION</p>	DESIGN BY:	BSQ	<p>NORTH AMERICA</p> <p>151 NORTH GARVER ROAD KEVINCE, OHIO 45000</p>			
		DATE:	13/06/26		NAME:	148.094 HS - 002	
		DRAWN BY:	BSQ		DATE:		13/06/26
		DATE:	13/06/26		AUTH:		DATE:
		AUTH:	DATE:	SIZE/DWG. NO:	148094HS-002	REV:	NEW
		AUTH:	DATE:	SCALE:	1 : 1 (LBS/FT.) N / A	SHEET:	1 OF 1
		FILENAME:	148075				

CAD MAINTAINED. CHANGES SHALL BE INCORPORATED BY THE DESIGN ACTIVITY.

REVISION HISTORY			
REV	DESCRIPTION	DATE	APPROVED
-	DESCRIPTION	DATE	APPROVED
-	DESCRIPTION	DATE	APPROVED



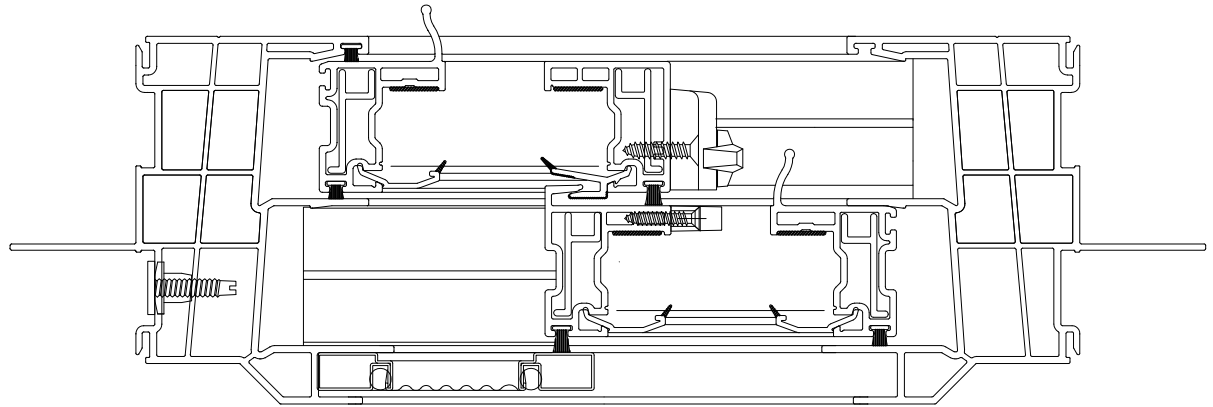
1



3

4

5



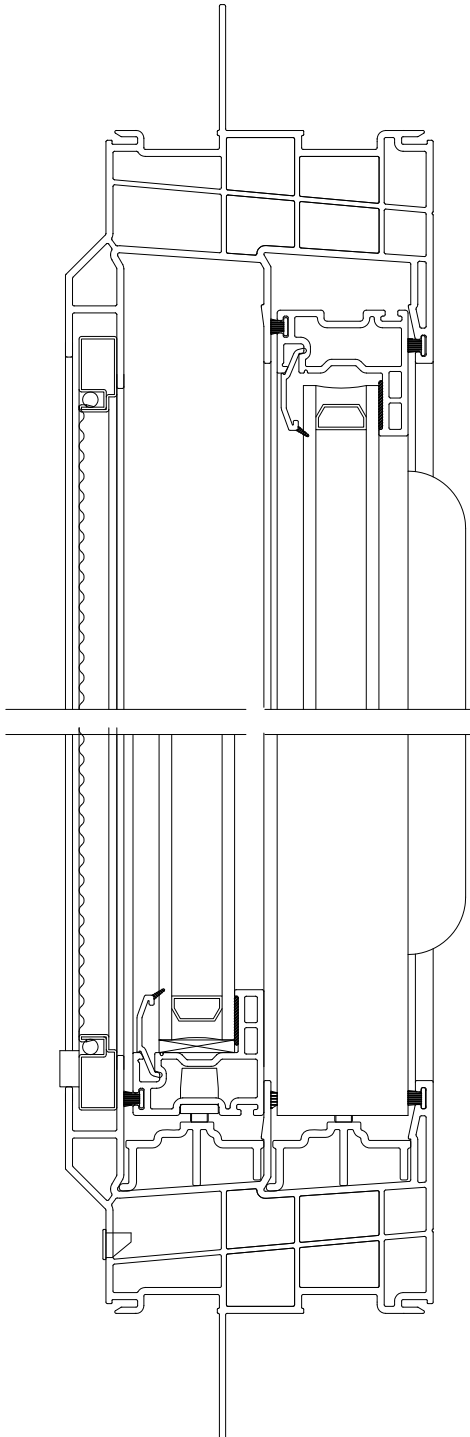
2

	Report #:	G6290-116-45
	Date:	5/17/2017
	Verified by:	<i>[Signature]</i>

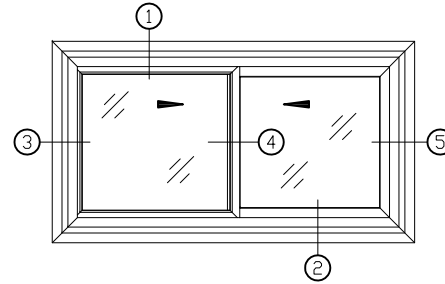
OPT 3

CONFIDENTIAL UNPUBLISHED WORK © 2013 DECEUNINCK NORTH AMERICA THIS DOCUMENT CONTAINS PROPRIETARY AND CONFIDENTIAL INFORMATION. DO NOT COPY OR DISCLOSE THIS INFORMATION WITHOUT THE EXPRESS WRITTEN CONSENT OF DECEUNINCK NORTH AMERICA. DECEUNINCK NORTH AMERICA RESERVES THE RIGHT TO CHANGE THIS DRAWING AND ANY ASSOCIATED DOCUMENTS.	UNLESS OTHERWISE SPECIFIED DIM ARE IN INCHES TOL ON ANGLES ± 1° 2 PL: ± 0.010" 3 PL: ± 0.005" INTERPRET DIM AND TOL PER ASME Y14.5M - 1994	DESIGN BY: BSO DATE: 13/06/26 DRAWN BY: BSO DATE: 13/06/26 AUTH: DATE: AUTH: DATE: AUTH: DATE: FILENAME: 148075	deceuninck NORTH AMERICA 351 NORTH GARVER ROAD KEVINCE, OHIO 45002 NAME: 148.094 HS - 002 SIZE DWG. NO: 148094HS-002 SCALE: 1 : 1 (LBS/FT.) N / A SHEET: 1 OF 1
	THIRD ANGLE PROJECTION	AUTH: DATE: AUTH: DATE: AUTH: DATE: FILENAME: 148075	REV: NEW
		AUTH: DATE: AUTH: DATE: AUTH: DATE: FILENAME: 148075	REV: NEW
		AUTH: DATE: AUTH: DATE: AUTH: DATE: FILENAME: 148075	REV: NEW

REVISION HISTORY			
REV	DESCRIPTION	DATE	APPROVED
-	DESCRIPTION	DATE	APPROVED
-	DESCRIPTION	DATE	APPROVED



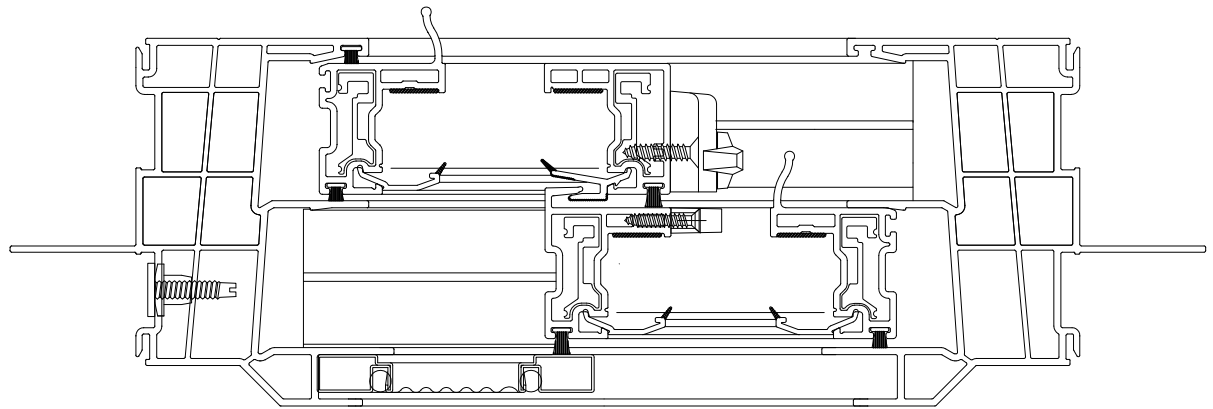
1



3

4

5



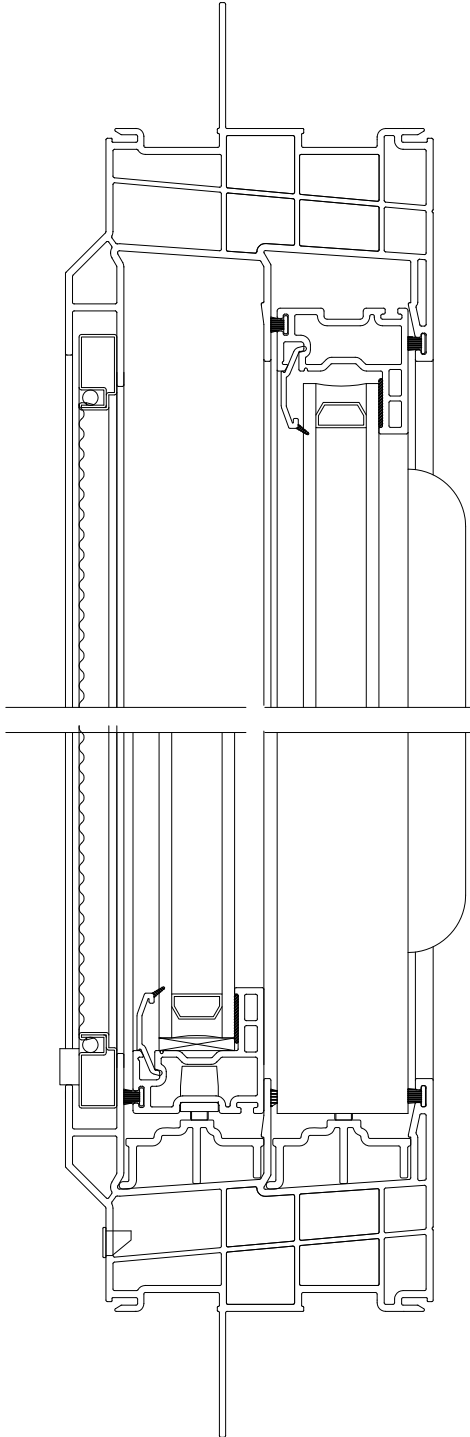
	Report #:	G6290-116-45
	Date:	5/17/2017
	Verified by:	<i>[Signature]</i>

OPT 4

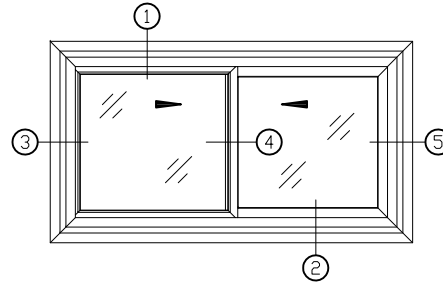
2

<p>CONFIDENTIAL</p> <p>UNPUBLISHED WORK © 2013 DECEUNINCK NORTH AMERICA</p> <p>THIS DOCUMENT CONTAINS PROPRIETARY AND CONFIDENTIAL INFORMATION. DO NOT COPY OR DISCLOSE THIS INFORMATION WITHOUT THE EXPRESS WRITTEN CONSENT OF DECEUNINCK NORTH AMERICA. DECEUNINCK NORTH AMERICA RESERVES THE RIGHT TO CHANGE THIS DRAWING AND ANY ASSOCIATED DOCUMENTS.</p>	<p>UNLESS OTHERWISE SPECIFIED DIM ARE IN INCHES TOL ON ANGLES ± 1° 2 PL ± 0.010" 3 PL ± 0.005" INTERPRET DIM AND TOL PER ASME Y14.5M - 1994</p>	<p>DESIGN BY: BSO DATE: 13/06/26 DRAWN BY: BSO DATE: 13/06/26 AUTH: DATE: AUTH: DATE: AUTH: DATE: FILENAME: 148075</p>	<p>deceuninck NORTH AMERICA</p> <p>NAME: 148.094 HS - 002</p> <p>SIZE DWG. NO: 148094HS-002 SCALE: 1 : 1 (LBS/FT.) N / A</p>	<p>REV. NEW</p> <p>SHEET: 1 OF 1</p>
	<p>THIRD ANGLE PROJECTION</p>			

REVISION HISTORY			
REV	DESCRIPTION	DATE	APPROVED
-	DESCRIPTION	DATE	APPROVED
-	DESCRIPTION	DATE	APPROVED



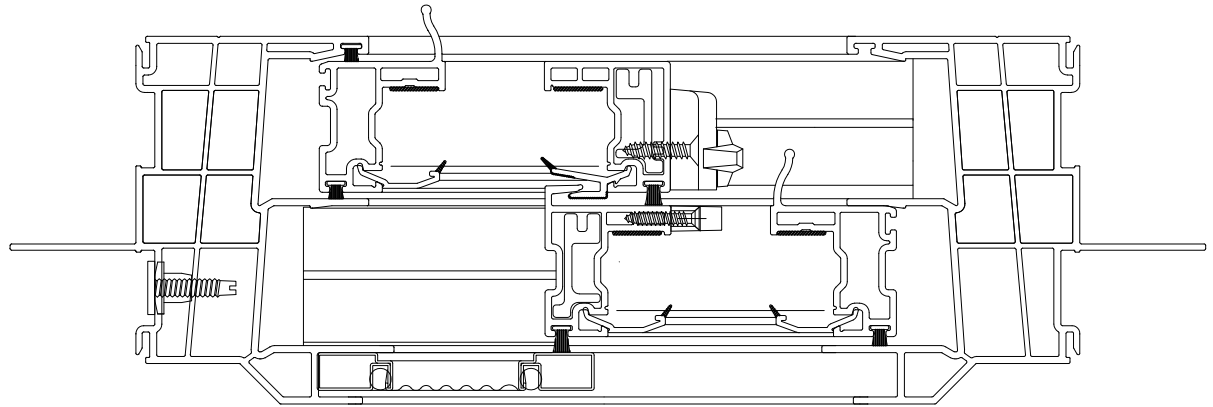
1



3

4

5







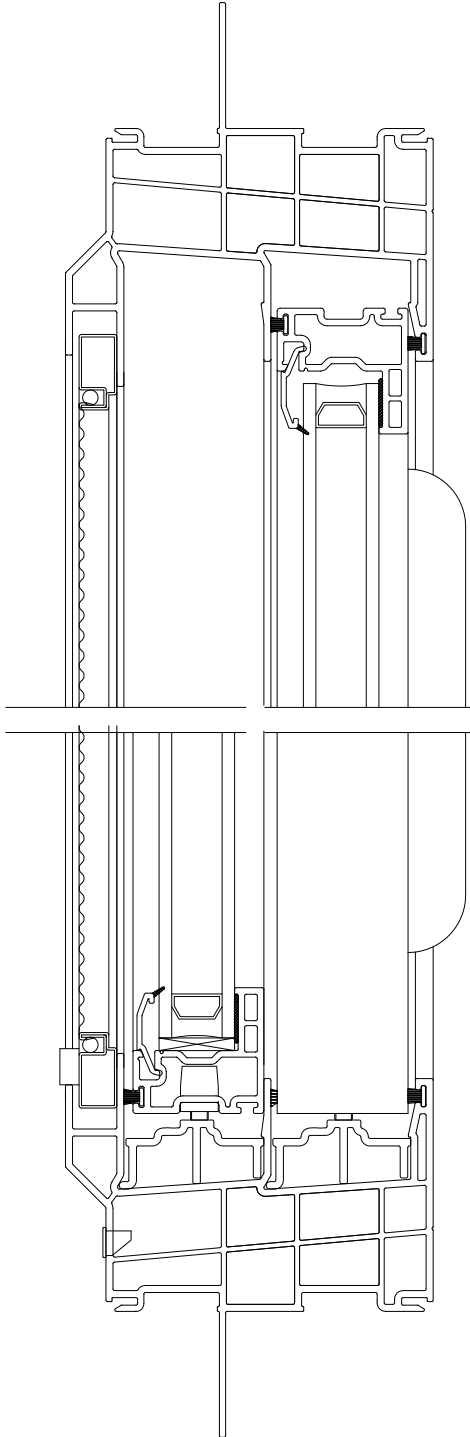
 Report #: G6290-116-45
 Date: 5/17/2017
 Verified by: *[Signature]*

OPT 5

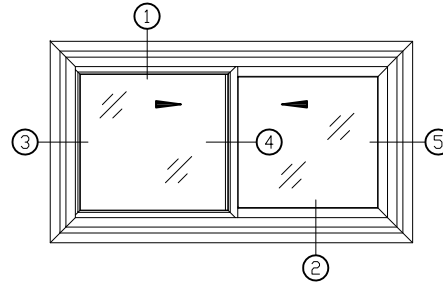
2

CONFIDENTIAL UNPUBLISHED WORK © 2013 DECEUNINCK NORTH AMERICA THIS DOCUMENT CONTAINS PROPRIETARY AND CONFIDENTIAL INFORMATION. DO NOT COPY OR DISCLOSE THIS INFORMATION WITHOUT THE EXPRESS WRITTEN CONSENT OF DECEUNINCK NORTH AMERICA. DECEUNINCK NORTH AMERICA RESERVES THE RIGHT TO CHANGE THIS DRAWING AND ANY ASSOCIATED DOCUMENTS.	UNLESS OTHERWISE SPECIFIED DIM ARE IN INCHES TOL ON ANGLES ± 1° 2 PL: ± 0.010" 3 PL: ± 0.005" INTERPRET DIM AND TOL PER ASME Y14.5M - 1994	DESIGN BY: BSO DATE: 13/06/26 DRAWN BY: BSO DATE: 13/06/26 AUTH: DATE: AUTH: DATE: AUTH: DATE: FILENAME: 148075	 NORTH AMERICA NAME: 148.094 HS - 002 SIZE DWG. NO: 148094HS-002 SCALE: 1 : 1 (LBS/FT.) N / A SHEET: 1 OF 1
	THIRD ANGLE PROJECTION 	REV: NEW	

REVISION HISTORY			
REV	DESCRIPTION	DATE	APPROVED
-	DESCRIPTION	DATE	APPROVED
-	DESCRIPTION	DATE	APPROVED



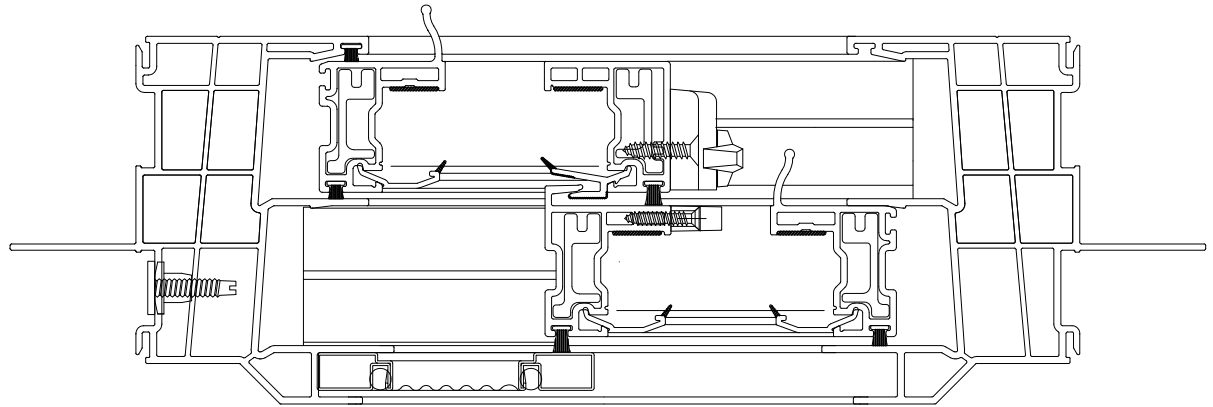
1



3

4

5



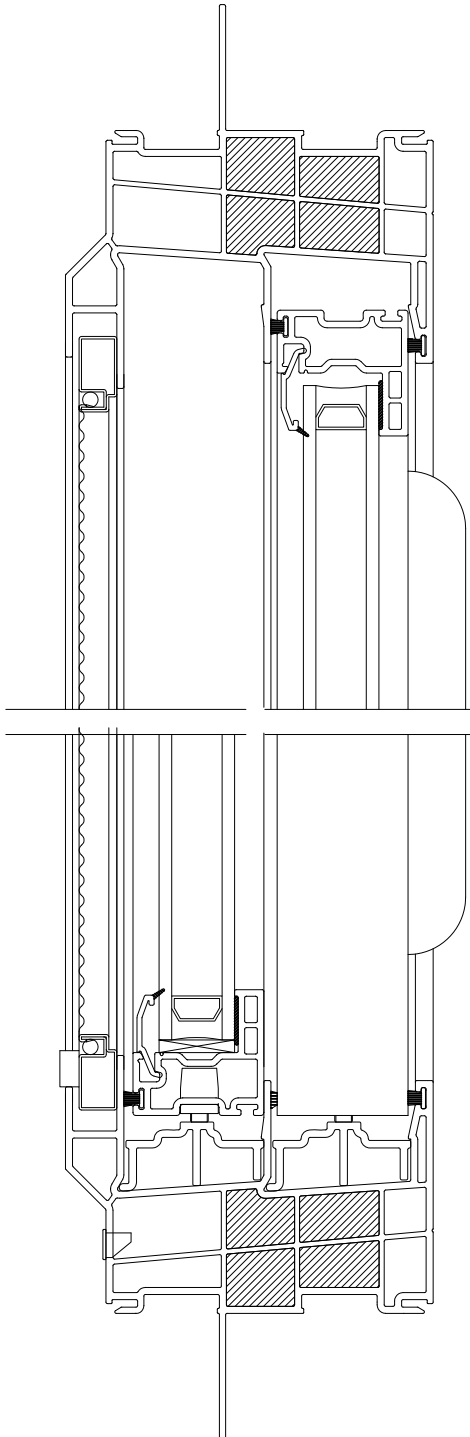
	Report #:	G6290-116-45
	Date:	5/17/2017
	Verified by:	<i>[Signature]</i>

OPT 6

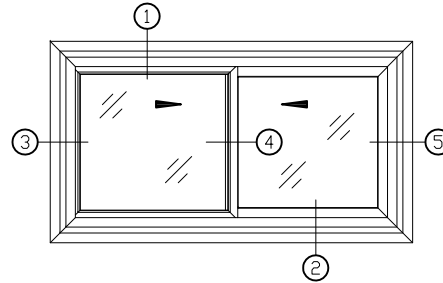
2

<p>CONFIDENTIAL</p> <p>UNPUBLISHED WORK © 2013 DECEUNINCK NORTH AMERICA</p> <p>THIS DOCUMENT CONTAINS PROPRIETARY AND CONFIDENTIAL INFORMATION. DO NOT COPY OR DISCLOSE THIS INFORMATION WITHOUT THE EXPRESS WRITTEN CONSENT OF DECEUNINCK NORTH AMERICA. DECEUNINCK NORTH AMERICA RESERVES THE RIGHT TO CHANGE THIS DRAWING AND ANY ASSOCIATED DOCUMENTS.</p>	<p>UNLESS OTHERWISE SPECIFIED DIM ARE IN INCHES TOL ON ANGLES ± 1° 2 PL ± 0.010" 3 PL ± 0.005" INTERPRET DIM AND TOL PER ASME Y14.5M - 1994</p>	<p>DESIGN BY: BSO DATE: 13/06/26 DRAWN BY: BSO DATE: 13/06/26 AUTH: DATE: AUTH: DATE: AUTH: DATE: FILENAME: 140875</p>	<p>deceuninck NORTH AMERICA</p> <p>NAME: 148.094 HS - 002</p> <p>SIZE DWG. NO: 148094HS-002 SCALE: 1 : 1 (LBS/FT.) N / A</p>
	<p>THIRD ANGLE PROJECTION</p>	<p>REV. NEW</p>	<p>SHEET: 1 OF 1</p>
	<p>3</p>	<p>4</p>	<p>5</p>
	<p>2</p>	<p>1</p>	<p>3</p>

REVISION HISTORY			
REV	DESCRIPTION	DATE	APPROVED
-	DESCRIPTION	DATE	APPROVED
-	DESCRIPTION	DATE	APPROVED



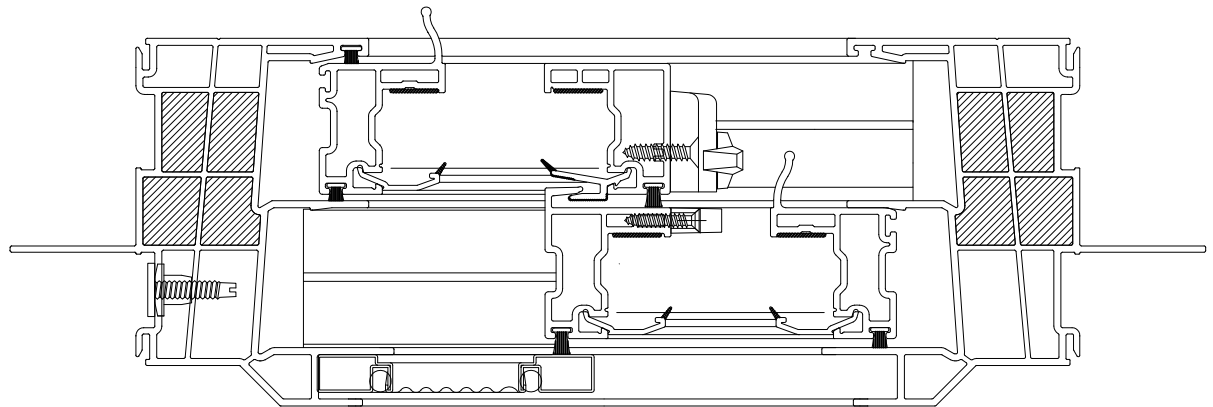
1



3

4



5



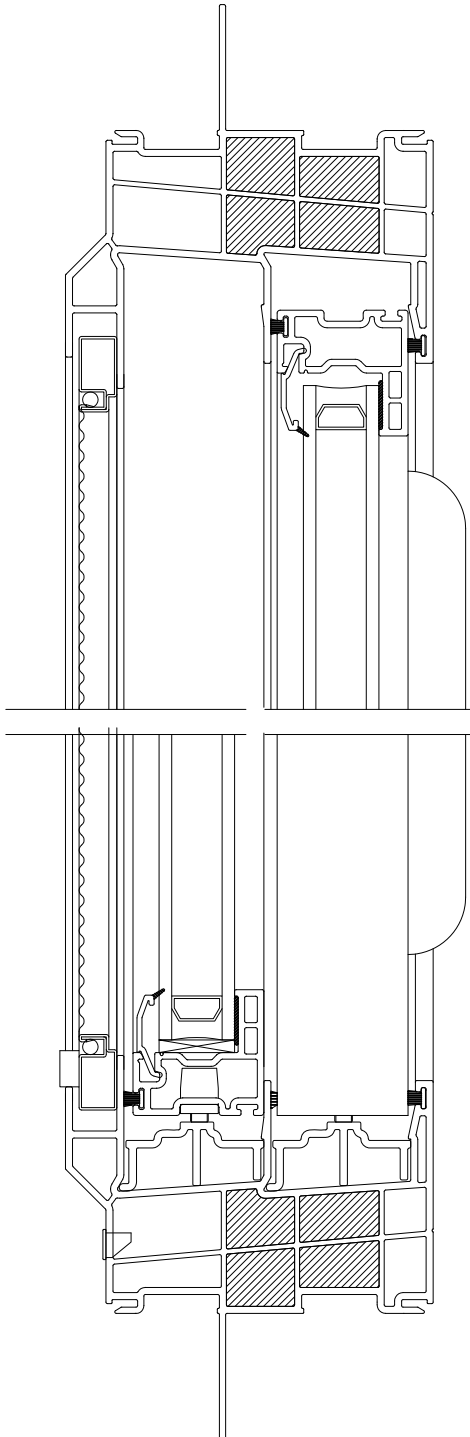

 Report #: G6290-116-45
 Date: 5/17/2017
 Verified by: *[Signature]*

OPT 7 POLYURETHANE FOAM INSULATION

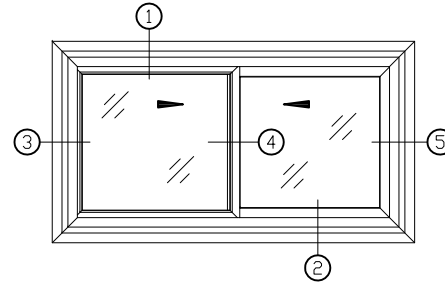
2

CONFIDENTIAL UNPUBLISHED WORK © 2013 DECEUNINCK NORTH AMERICA THIS DOCUMENT CONTAINS PROPRIETARY AND CONFIDENTIAL INFORMATION. DO NOT COPY OR DISCLOSE THIS INFORMATION WITHOUT THE EXPRESS WRITTEN CONSENT OF DECEUNINCK NORTH AMERICA. DECEUNINCK NORTH AMERICA RESERVES THE RIGHT TO CHANGE THIS DRAWING AND ANY ASSOCIATED DOCUMENTS.	UNLESS OTHERWISE SPECIFIED DIM ARE IN INCHES TOL ON ANGLES ± 1° 2 PL: ± 0.010" 3 PL: ± 0.005" INTERPRET DIM AND TOL PER ASME Y14.5M - 1994	DESIGN BY: BSO	 NORTH AMERICA 351 NORTH GARVER ROAD KEVOCHE, OHIO 45050
		DATE: 13/06/26	
THIRD ANGLE PROJECTION 	FILENAME: 148075	DRAWN BY: BSO	NAME: 148.094 HS - 002
		DATE: 13/06/26	SIZE DWG. NO: 148094HS-002
		AUTH: DATE:	SCALE: 1 : 1 (LBS/FT.) N / A
		AUTH: DATE:	SHEET: 1 OF 1

REVISION HISTORY			
REV	DESCRIPTION	DATE	APPROVED
-	DESCRIPTION	DATE	APPROVED
-	DESCRIPTION	DATE	APPROVED



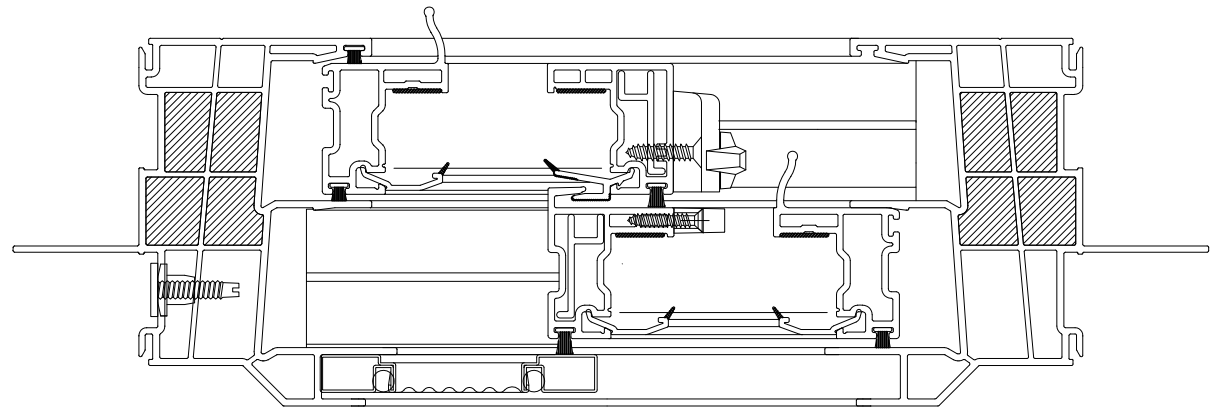
1



3

4

5




2

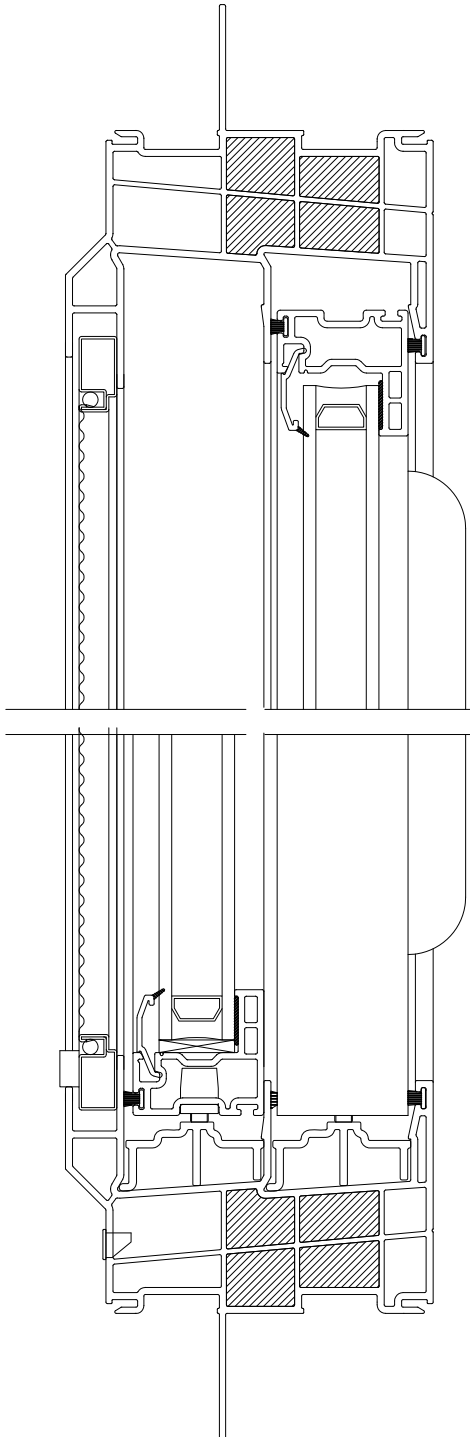


 Report #: G6290-116-45
 Date: 5/17/2017
 Verified by: *[Signature]*

OPT 8 POLYURETHANE FOAM INSULATION

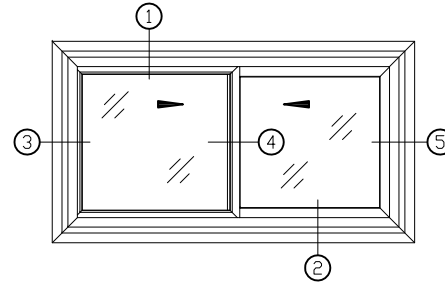
CONFIDENTIAL UNPUBLISHED WORK © 2013 DECEUNINCK NORTH AMERICA THIS DOCUMENT CONTAINS PROPRIETARY AND CONFIDENTIAL INFORMATION. DO NOT COPY OR DISCLOSE THIS INFORMATION WITHOUT THE EXPRESS WRITTEN CONSENT OF DECEUNINCK NORTH AMERICA. DECEUNINCK NORTH AMERICA RESERVES THE RIGHT TO CHANGE THIS DRAWING AND ANY ASSOCIATED DOCUMENTS.	UNLESS OTHERWISE SPECIFIED DIM ARE IN INCHES TOL ON ANGLES ± 1° 2 PL: ± 0.010" 3 PL: ± 0.005" INTERPRET DIM AND TOL PER ASME Y14.5M - 1994	DESIGN BY: BSO DATE: 13/06/26 DRAWN BY: BSO DATE: 13/06/26 AUTH: DATE: AUTH: DATE: AUTH: DATE: FILENAME: 140875	deceuninck NORTH AMERICA NAME: 148.094 HS - 002 SIZE DWG. NO: 148094HS-002 SCALE: 1 : 1 (LBS/FT.) N / A SHEET: 1 OF 1
	THIRD ANGLE PROJECTION 	REV: NEW	

REVISION HISTORY			
REV	DESCRIPTION	DATE	APPROVED
-	DESCRIPTION	DATE	APPROVED
-	DESCRIPTION	DATE	APPROVED



1

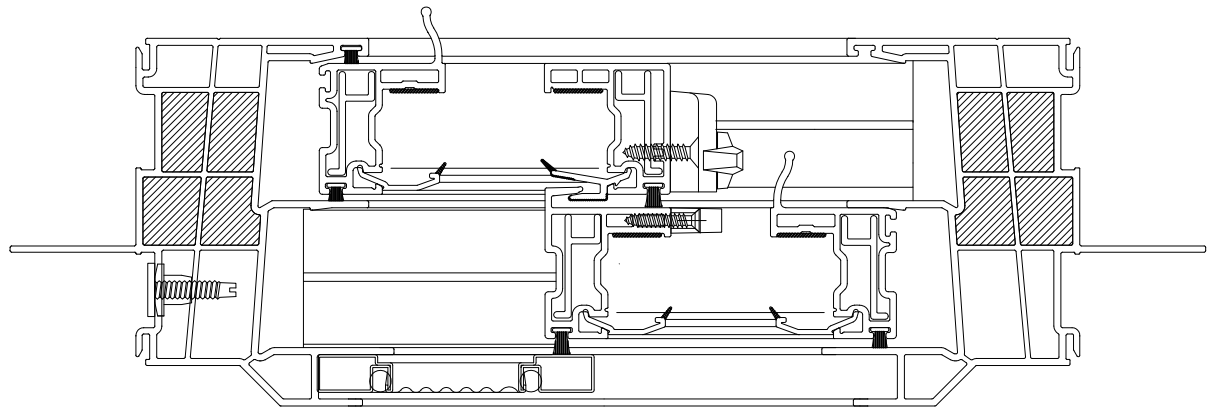
2



3


4

5



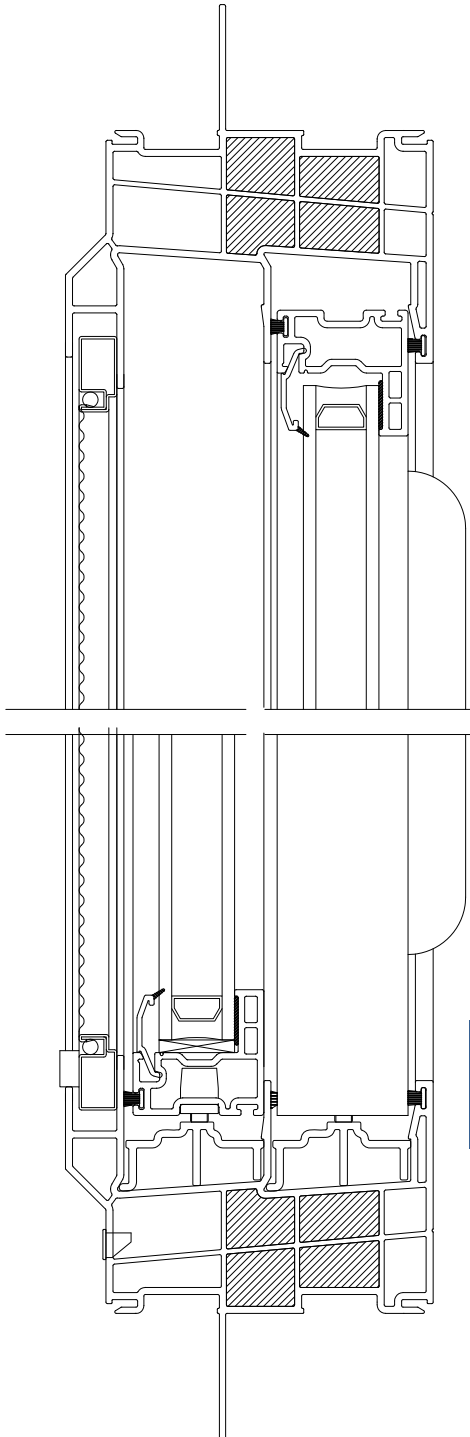
 	Report #:	G6290-116-45
	Date:	5/17/2017
	Verified by:	<i>[Signature]</i>

OPT 9 POLYURETHANE FOAM INSULATION

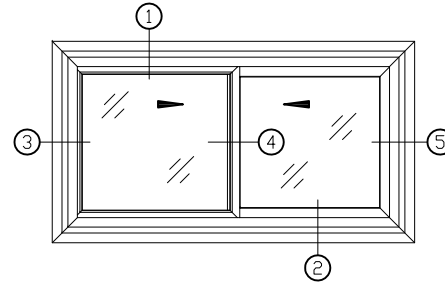
CONFIDENTIAL UNPUBLISHED WORK © 2013 DECEUNINCK NORTH AMERICA THIS DOCUMENT CONTAINS PROPRIETARY AND CONFIDENTIAL INFORMATION. DO NOT COPY OR DISCLOSE THIS INFORMATION WITHOUT THE EXPRESS WRITTEN CONSENT OF DECEUNINCK NORTH AMERICA. DECEUNINCK NORTH AMERICA RESERVES THE RIGHT TO CHANGE THIS DRAWING AND ANY ASSOCIATED DOCUMENTS.	UNLESS OTHERWISE SPECIFIED DIM ARE IN INCHES TOL ON ANGLES ± 1° 2 PL: ± 0.010" 3 PL: ± 0.005" INTERPRET DIM AND TOL PER ASME Y14.5M - 1994	DESIGN BY:	BSQ	 NORTH AMERICA <small>351 NORTH GARVER ROAD KEVINCE, OHIO 45050</small>	
		DATE:	13/06/26		DATE:
		DRAWN BY:	BSQ	NAME:	148.094 HS - 002
		DATE:	13/06/26	DATE:	
		AUTH:		DATE:	
		AUTH:		DATE:	
		AUTH:		DATE:	
		FILENAME:	148094HS-002	SIZE DWG. NO:	148094HS-002
				SCALE:	1 : 1 (LBS/FT.) N / A
					SHEET: 1 OF 1

CAD MAINTAINED. CHANGES SHALL BE INCORPORATED BY THE DESIGN ACTIVITY.

REVISION HISTORY			
REV	DESCRIPTION	DATE	APPROVED
-	DESCRIPTION	DATE	APPROVED
-	DESCRIPTION	DATE	APPROVED



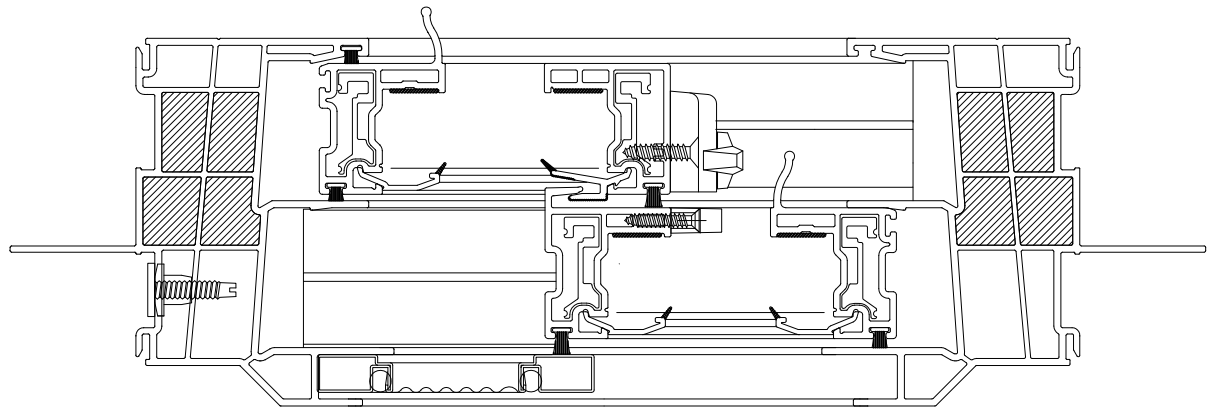
1



3

4

5







 Report #: G6290-116-45
 Date: 5/17/2017
 Verified by: *[Signature]*

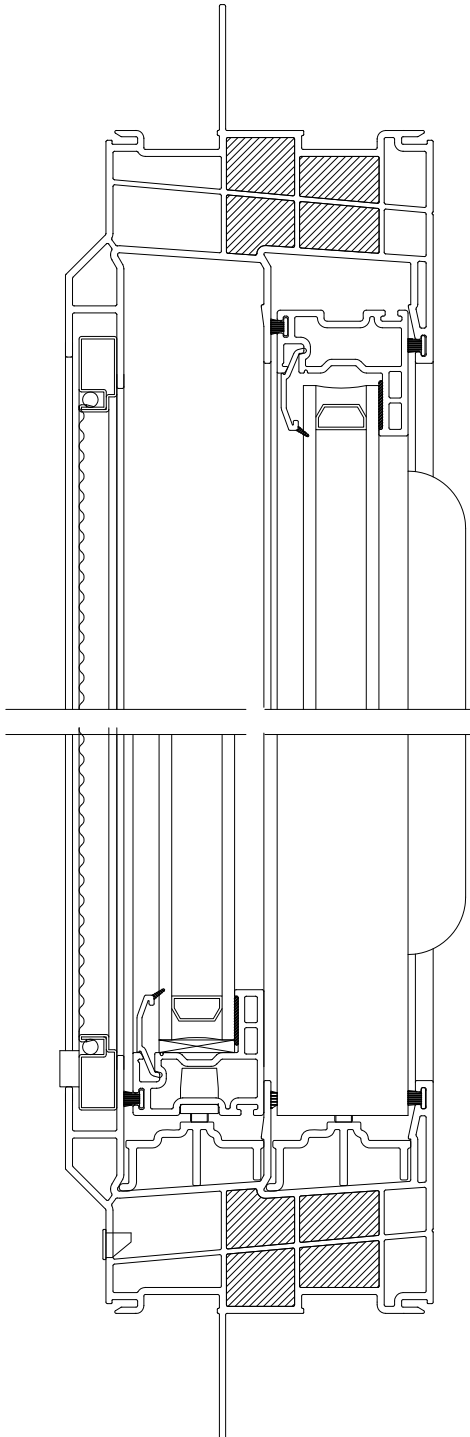
OPTION 1 - W/ FOAM 

OPT 10 POLYURETHANE FOAM INSULATION

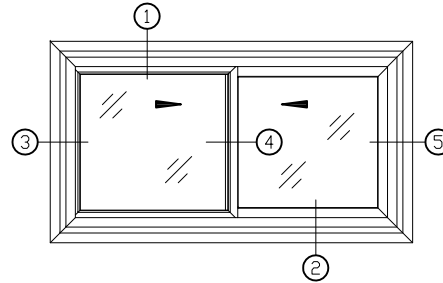
2

CONFIDENTIAL UNPUBLISHED WORK © 2013 DECEUNINCK NORTH AMERICA THIS DOCUMENT CONTAINS PROPRIETARY AND CONFIDENTIAL INFORMATION. DO NOT COPY OR DISCLOSE THIS INFORMATION WITHOUT THE EXPRESS WRITTEN CONSENT OF DECEUNINCK NORTH AMERICA. DECEUNINCK NORTH AMERICA RESERVES THE RIGHT TO CHANGE THIS DRAWING AND ANY ASSOCIATED DOCUMENTS.	UNLESS OTHERWISE SPECIFIED DIM ARE IN INCHES TOL ON ANGLES ± 1° 2 PL: ± 0.010" 3 PL: ± 0.005" INTERPRET DIM AND TOL PER ASME Y14.5M - 1994	DESIGN BY: BSO		 NORTH AMERICA 351 NORTH GARVER ROAD KEVOCHE, OHIO 45050
		DATE: 13/06/26 DRAWN BY: BSO DATE: 13/06/26 AUTH: DATE: AUTH: DATE: AUTH: DATE: FILENAME: 148075		

REVISION HISTORY			
REV	DESCRIPTION	DATE	APPROVED
-	DESCRIPTION	DATE	APPROVED
-	DESCRIPTION	DATE	APPROVED



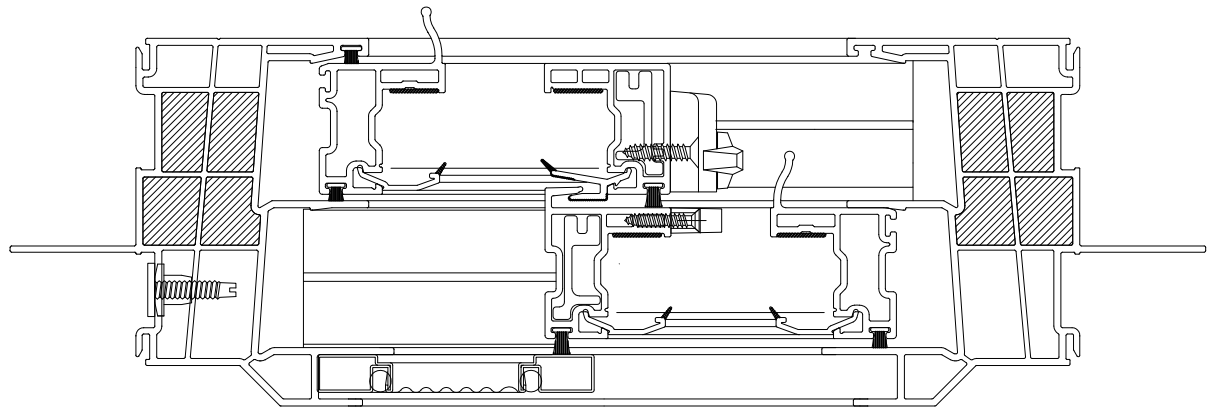
1



3

4

5



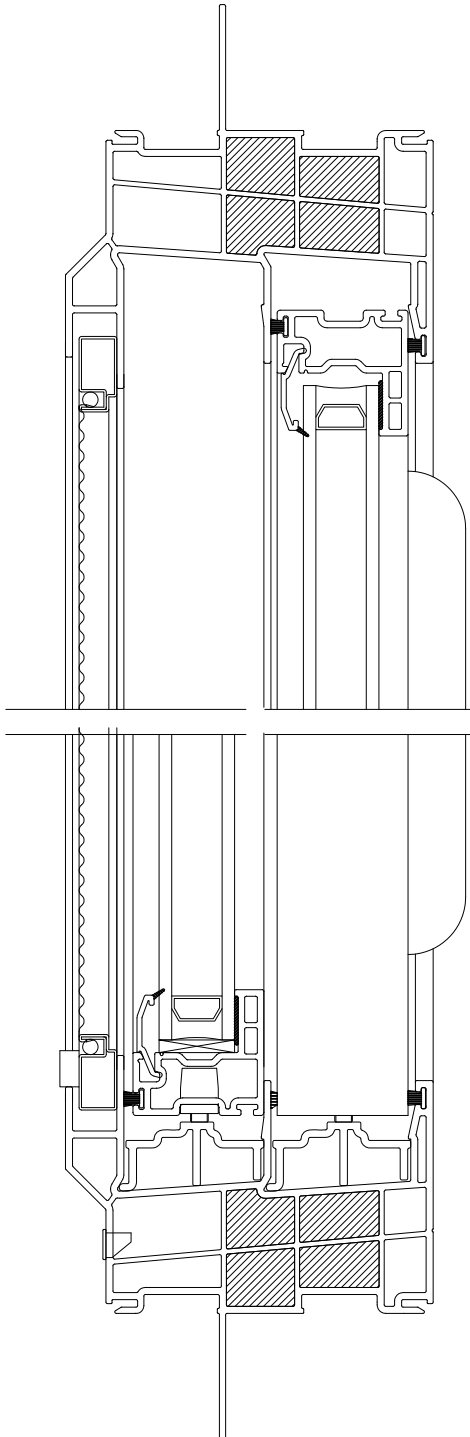
	Report #:	G6290-116-45
	Date:	5/17/2017
	Verified by:	<i>[Signature]</i>

OPT 11 POLYURETHANE FOAM INSULATION

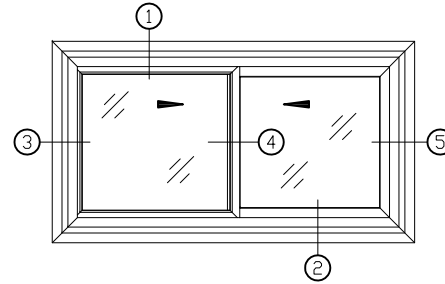
2

<p>CONFIDENTIAL</p> <p>UNPUBLISHED WORK © 2013 DECEUNINCK NORTH AMERICA</p> <p>THIS DOCUMENT CONTAINS PROPRIETARY AND CONFIDENTIAL INFORMATION. DO NOT COPY OR DISCLOSE THIS INFORMATION WITHOUT THE EXPRESS WRITTEN CONSENT OF DECEUNINCK NORTH AMERICA. DECEUNINCK NORTH AMERICA RESERVES THE RIGHT TO CHANGE THIS DRAWING AND ANY ASSOCIATED DOCUMENTS.</p>	<p>UNLESS OTHERWISE SPECIFIED DIM ARE IN INCHES. TOL ON ANGLES ± 1°</p> <p>2 PL ± 0.010" 3 PL ± 0.005" INTERPRET DIM AND TOL PER ASME Y14.5M - 1994</p>	<p>DESIGN BY: BSO</p> <p>DATE: 13/06/26</p> <p>DRAWN BY: BSO</p> <p>DATE: 13/06/26</p> <p>AUTH: DATE:</p> <p>AUTH: DATE:</p> <p>AUTH: DATE:</p> <p>FILENAME: 148075</p>	<p>deceuninck NORTH AMERICA</p> <p>NAME: 148.094 HS - 002</p> <p>SIZE DWG. NO: 148094HS-002</p> <p>SCALE: 1 : 1 (LBS/FT.) N / A</p>
	<p>THIRD ANGLE PROJECTION</p>	<p>REV. NEW</p>	<p>SHEET: 1 OF 1</p>
	<p>3</p>	<p>4</p>	<p>5</p>
	<p>6</p>	<p>7</p>	<p>8</p>

REVISION HISTORY			
REV	DESCRIPTION	DATE	APPROVED
-	DESCRIPTION	DATE	APPROVED
-	DESCRIPTION	DATE	APPROVED



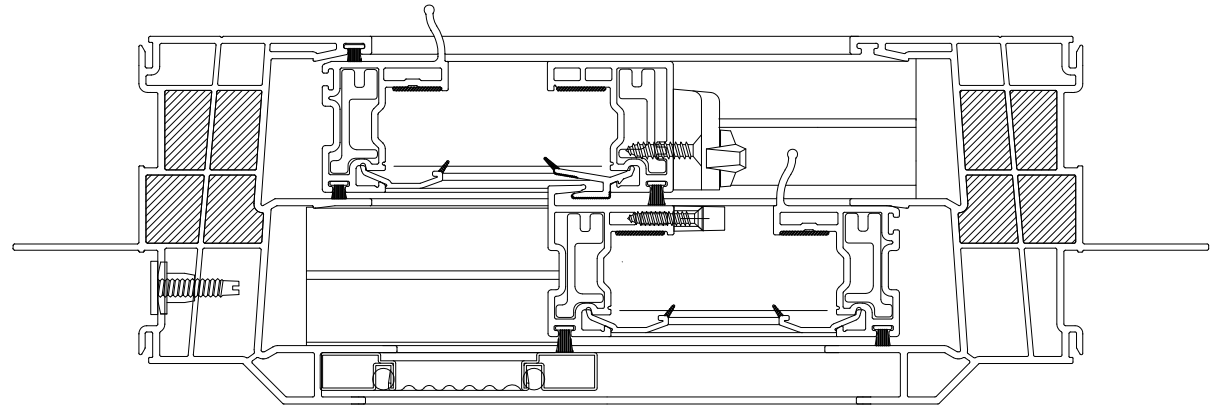
1



3

4

5




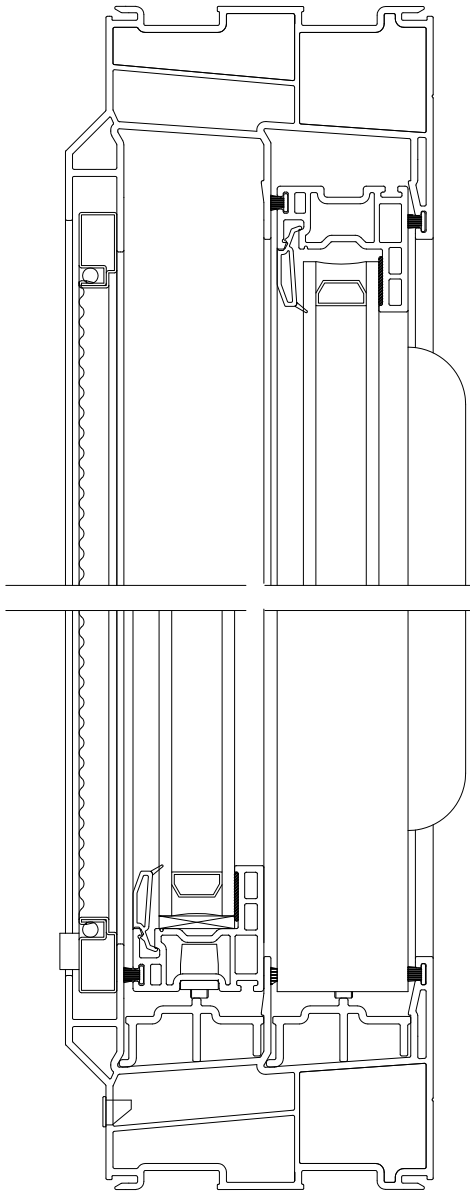


 Report #: G6290-116-45
 Date: 5/17/2017
 Verified by: [Signature]

OPT 12 POLYURETHANE FOAM INSULATION

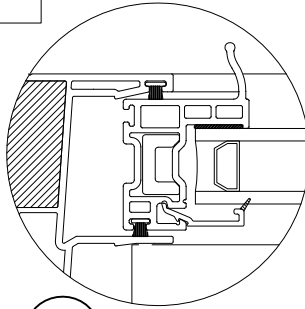
2

CONFIDENTIAL UNPUBLISHED WORK © 2013 DECEUNINCK NORTH AMERICA THIS DOCUMENT CONTAINS PROPRIETARY AND CONFIDENTIAL INFORMATION. DO NOT COPY OR DISCLOSE THIS INFORMATION WITHOUT THE EXPRESS WRITTEN CONSENT OF DECEUNINCK NORTH AMERICA. DECEUNINCK NORTH AMERICA RESERVES THE RIGHT TO CHANGE THIS DRAWING AND ANY ASSOCIATED DOCUMENTS.	UNLESS OTHERWISE SPECIFIED DIM ARE IN INCHES TOL ON ANGLES ± 1° 2 PL: ± 0.010" 3 PL: ± 0.005" INTERPRET DIM AND TOL PER ASME Y14.5M - 1994	DESIGN BY: BSO DATE: 13/06/26 DRAWN BY: BSO DATE: 13/06/26 AUTH: DATE: AUTH: DATE: AUTH: DATE: FILENAME: 148075	NAME: NORTH AMERICA 148.094 HS - 002 SIZE DWG. NO: 148094HS-002 SCALE: 1 : 1 (LBS/FT.) N / A	REV. NEW SHEET: 1 OF 1
	THIRD ANGLE PROJECTION 	deceuninck NORTH AMERICA <small>351 NORTH GARVER ROAD KEVINCE, OHIO 45050</small>		

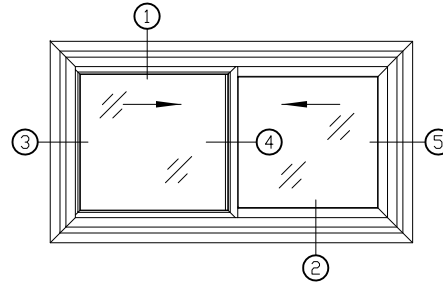


1

W/ GLAZING BEAD
10008127

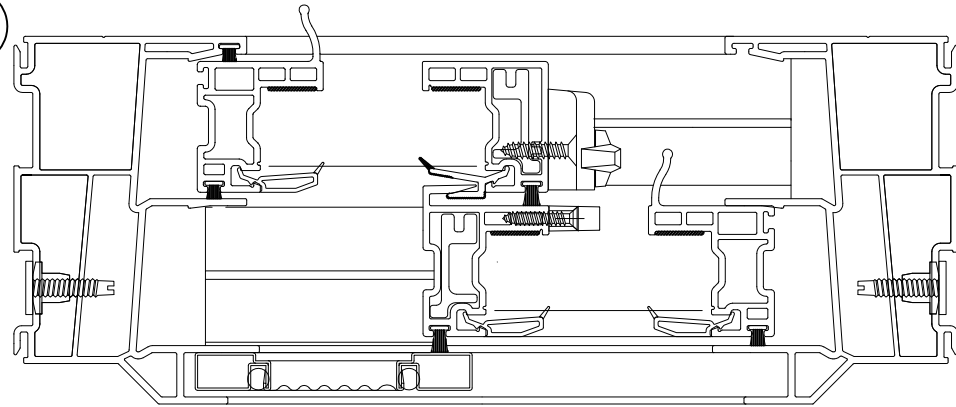


3



4

5

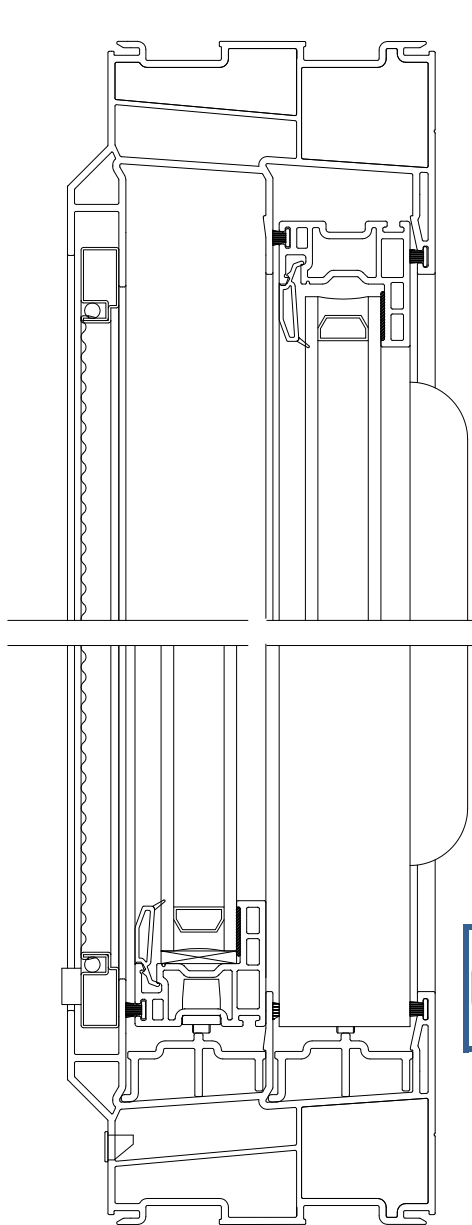


	Report #:	G6290-116-45
	Date:	5/17/2017
	Verified by:	<i>[Signature]</i>

OPT 1

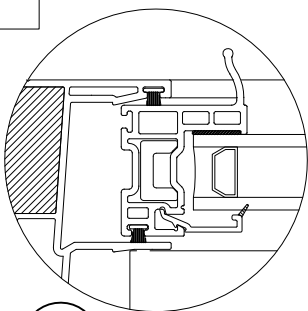
2

<p>CONFIDENTIAL</p> <p>UNPUBLISHED WORK © 2017 DECEUNINCK NORTH AMERICA</p> <p>THIS DOCUMENT CONTAINS PROPRIETARY AND CONFIDENTIAL INFORMATION. DO NOT COPY OR DISCLOSE THIS INFORMATION WITHOUT THE EXPRESS WRITTEN CONSENT OF DECEUNINCK NORTH AMERICA. DECEUNINCK NORTH AMERICA RESERVES THE RIGHT TO CHANGE THIS DRAWING AND ANY ASSOCIATED DOCUMENTS.</p>	<p>THIRD ANGLE PROJECTION</p>	<p>DESIGN BY: JCH</p> <p>DATE: 17/05/05</p> <p>DRAWN BY: AJH</p> <p>DATE: 17/05/05</p> <p>AUTH: DATE:</p> <p>AUTH: DATE:</p> <p>AUTH: DATE:</p> <p>FILENAME: 190887</p>	<p>deceuninck </p> <p>NORTH AMERICA</p> <p>851 NORTH GARVER ROAD KNOXVILLE, OHIO 45500</p>
		<p>NAME: 141.294 HS - 011</p> <p>SIZE DWG. NO: 141294HS-011</p> <p>SCALE: 1 : 1 (LBS/FT.)</p> <p>SHEET: 1 OF 1</p>	<p>REV: NEW</p>

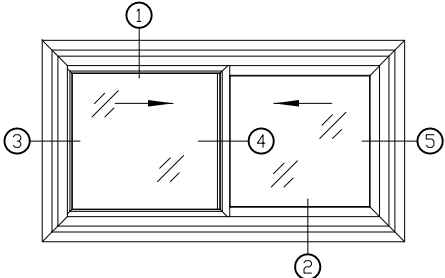


1

W/ GLAZING BEAD
10008127

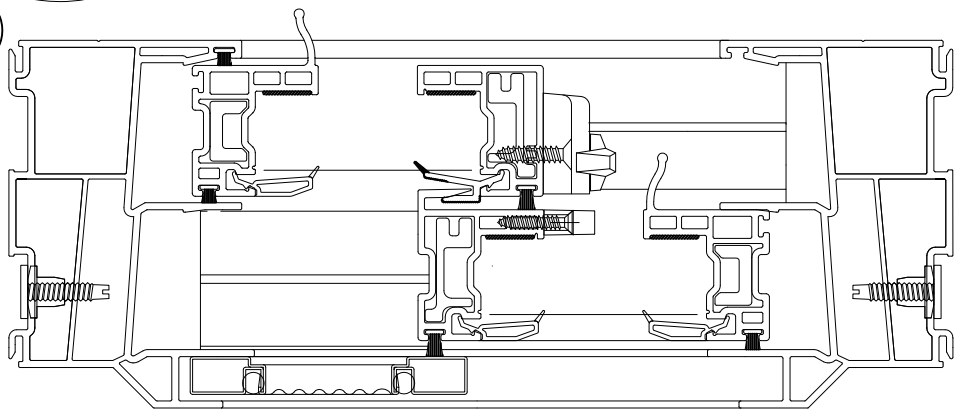


3



4

5

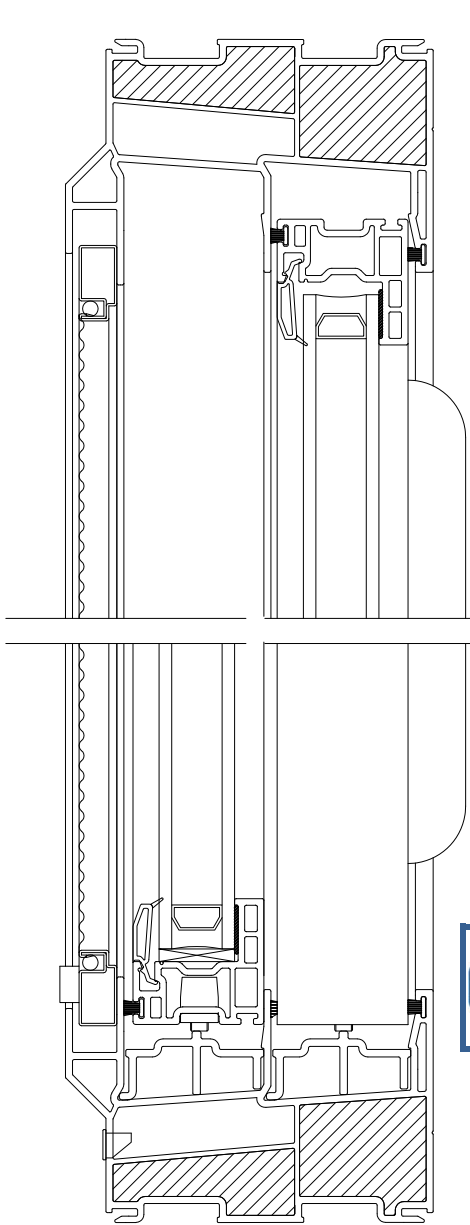


	Report #:	G6290-116-45
	Date:	5/17/2017
	Verified by:	<i>[Signature]</i>

OPT 2

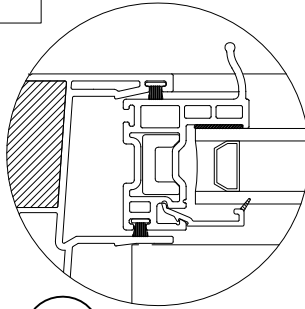
2

CONFIDENTIAL UNPUBLISHED WORK © 2017 DECEUNINCK NORTH AMERICA <small>THIS DOCUMENT CONTAINS PROPRIETARY AND CONFIDENTIAL INFORMATION. DO NOT COPY OR DISCLOSE THIS INFORMATION WITHOUT THE EXPRESS WRITTEN CONSENT OF DECEUNINCK NORTH AMERICA. DECEUNINCK NORTH AMERICA RESERVES THE RIGHT TO CHANGE THIS DRAWING AND ANY ASSOCIATED DOCUMENTS.</small>	THIRD ANGLE PROJECTION 	DESIGN BY: JCH	 <small>351 NORTH GARVER ROAD KNOXVILLE, OHIO 45500</small> NORTH AMERICA
		DATE: 17/05/05	
		DRAWN BY: AJH	SIZE: C
		DATE: 17/05/05	DWG. NO: 141294HS-011
		AUTH: DATE:	SCALE: 1 : 1 (LBS/FT.)
		AUTH: DATE:	SHEET: 1 OF 1
		FILENAME: 190887	REV: NEW

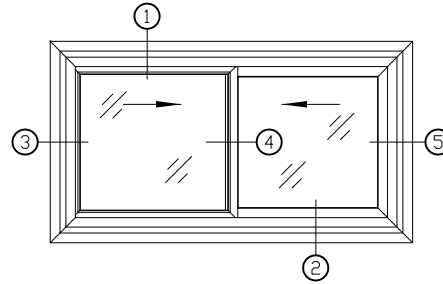


1

W/ GLAZING BEAD
10008127

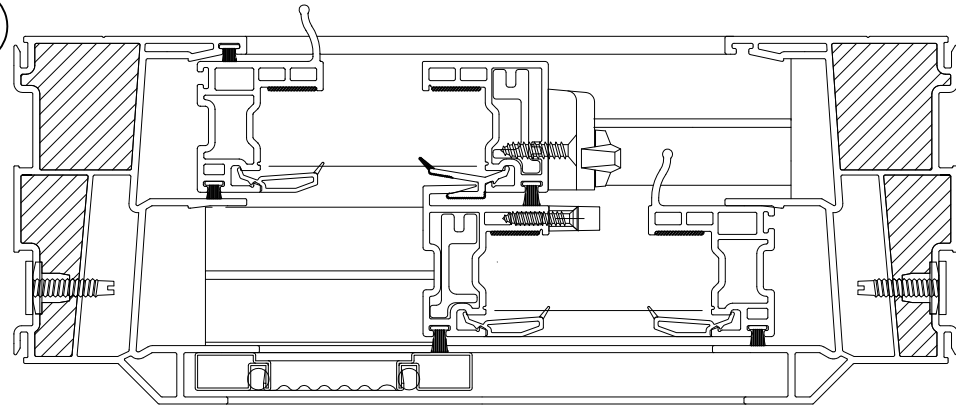


3



4

5

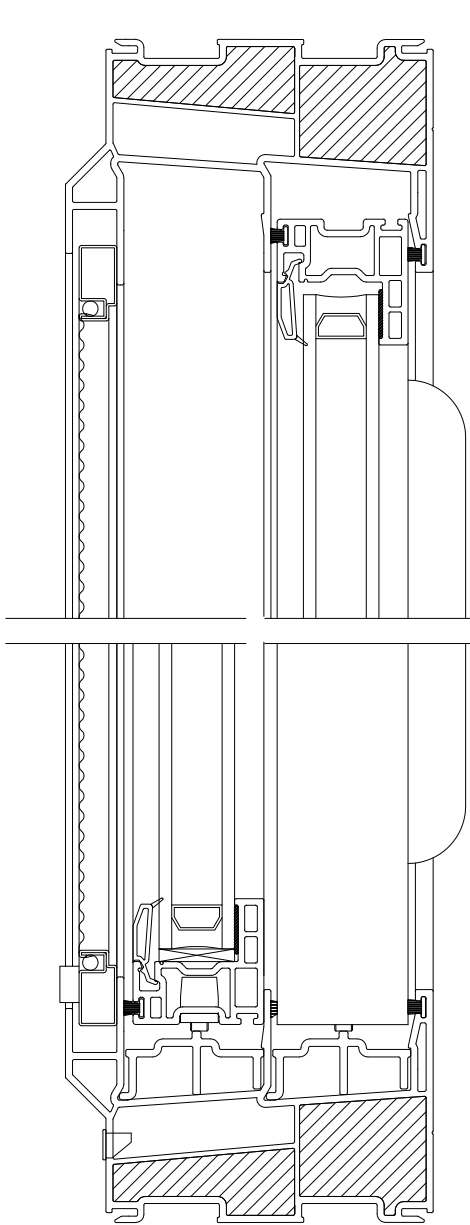


	Report #:	G6290-116-45
	Date:	5/17/2017
	Verified by:	<i>[Signature]</i>

OPT 3 POLYURETHANE FOAM INSULATION

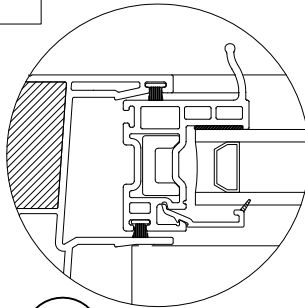
2

<p>CONFIDENTIAL</p> <p>UNPUBLISHED WORK © 2017 DECEUNINCK NORTH AMERICA</p> <p>THIS DOCUMENT CONTAINS PROPRIETARY AND CONFIDENTIAL INFORMATION. DO NOT COPY OR DISCLOSE THIS INFORMATION WITHOUT THE EXPRESS WRITTEN CONSENT OF DECEUNINCK NORTH AMERICA. DECEUNINCK NORTH AMERICA RESERVES THE RIGHT TO CHANGE THIS DRAWING AND ANY ASSOCIATED DOCUMENTS.</p>	<p>THIRD ANGLE PROJECTION</p>	<p>DESIGN BY: JCH</p> <p>DATE: 17/05/05</p> <p>DRAWN BY: AJH</p> <p>DATE: 17/05/05</p> <p>AUTH: DATE:</p> <p>AUTH: DATE:</p> <p>AUTH: DATE:</p> <p>FILENAME: 190887</p>	<p>deceuninck </p> <p>NORTH AMERICA</p> <p>851 NORTH GARVER ROAD KNOXVILLE, OHIO 45500</p>
		<p>NAME: 141.294 HS - 011</p> <p>SIZE DWG. NO: 141294HS-011</p> <p>SCALE: 1 : 1 (LBS/FT.)</p>	<p>REV: NEW</p> <p>SHEET: 1 OF 1</p>

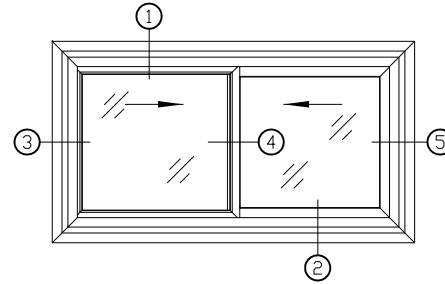


1

W/ GLAZING BEAD
10008127

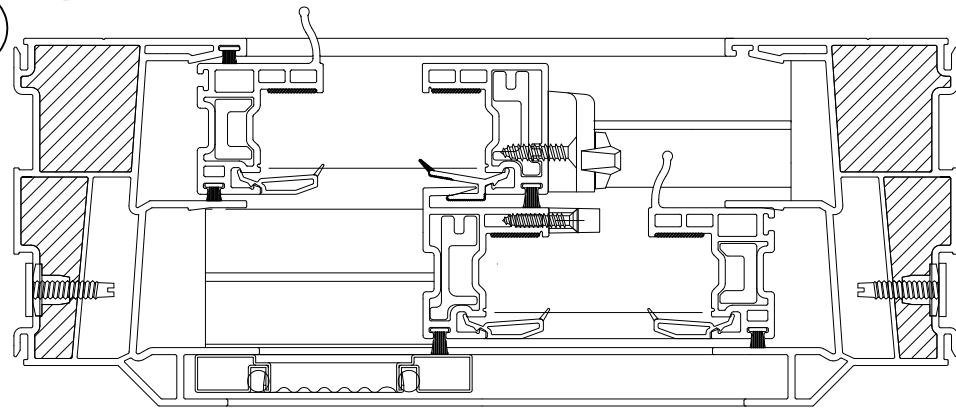


3



4

5

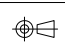





 Report #: G6290-116-45
 Date: 5/17/2017
 Verified by: [Signature]

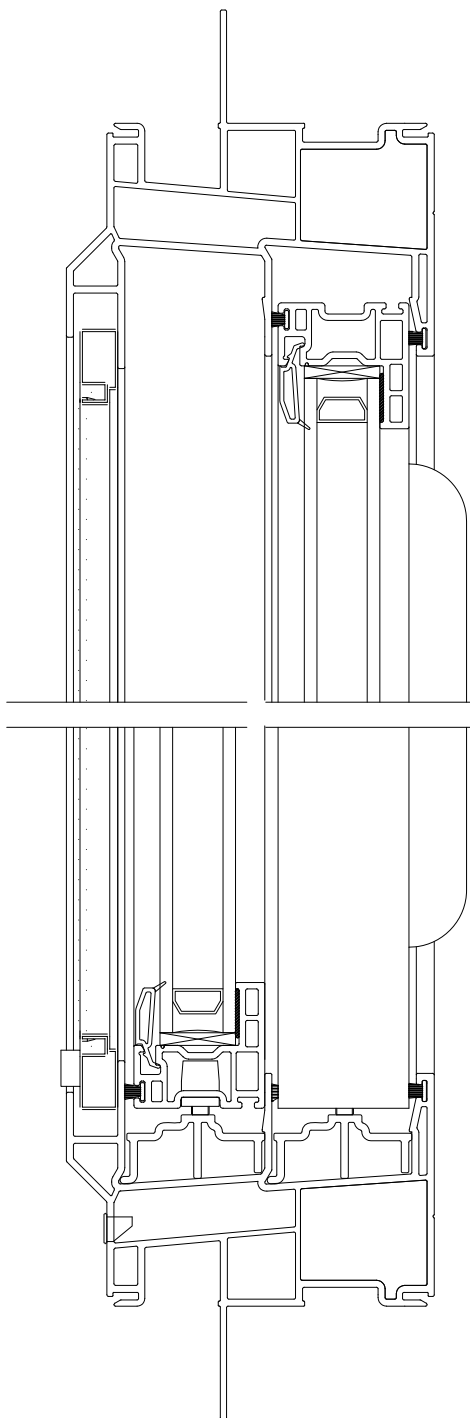
OPT 4 POLYURETHANE FOAM INSULATION

2

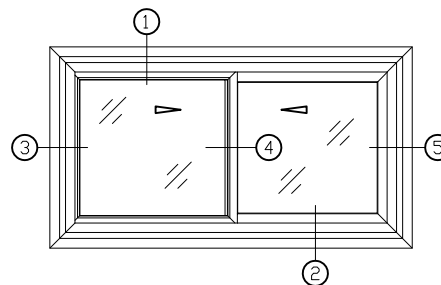
<p>CONFIDENTIAL</p> <p>UNPUBLISHED WORK © 2017 DECEUNINCK NORTH AMERICA</p> <p>THIS DOCUMENT CONTAINS PROPRIETARY AND CONFIDENTIAL INFORMATION. DO NOT COPY OR DISCLOSE THIS INFORMATION WITHOUT THE EXPRESS WRITTEN CONSENT OF DECEUNINCK NORTH AMERICA. DECEUNINCK NORTH AMERICA RESERVES THE RIGHT TO CHANGE THIS DRAWING AND ANY ASSOCIATED DOCUMENTS.</p>	<p>THIRD ANGLE PROJECTION</p> 	DESIGN BY: JCH DATE: 17/05/05 DRAWN BY: AJH DATE: 17/05/05 AUTH: DATE: AUTH: DATE: AUTH: DATE: FILENAME: 190887	 851 NORTH GARVER ROAD KENNEDY, OHIO 45000 NORTH AMERICA NAME: 141.294 HS - 011 SIZE DWG. NO: 141294HS-011 SCALE: 1 : 1 (LBS/FT.) REV: NEW SHEET: 1 OF 1
		<p>CONFIDENTIAL</p>	

CAD MAINTAINED. CHANGES SHALL BE INCORPORATED BY THE DESIGN ACTIVITY.

REVISION HISTORY			
REV	DESCRIPTION	DATE	APPROVED
-	DESCRIPTION	DATE	APPROV



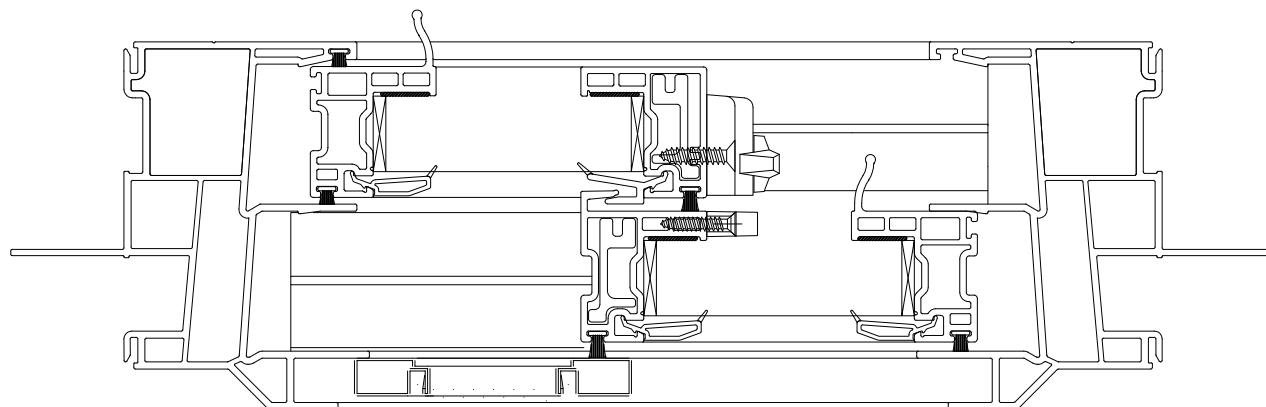
1



3

4

5



	Report #:	G6290-116-45
	Date:	5/17/2017
	Verified by:	<i>[Signature]</i>

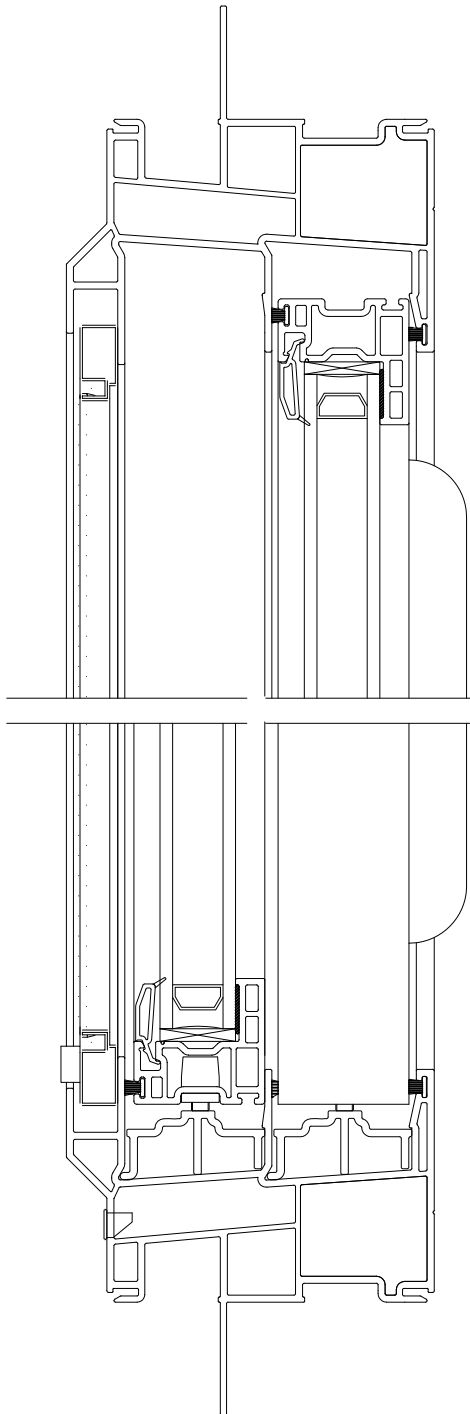
OPT 1

2

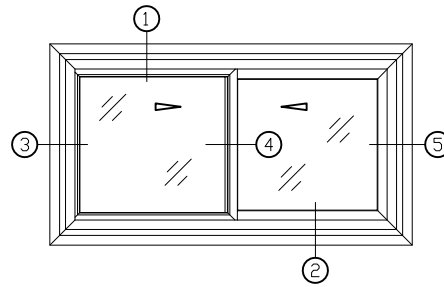
<p>CONFIDENTIAL</p> <p>UNPUBLISHED WORK © 2015 DECEUNINCK NORTH AMERICA</p> <p>THIS DOCUMENT CONTAINS PROPRIETARY AND CONFIDENTIAL INFORMATION. DO NOT COPY OR DISCLOSE THIS INFORMATION WITHOUT THE EXPRESS WRITTEN CONSENT OF DECEUNINCK NORTH AMERICA. DECEUNINCK NORTH AMERICA RESERVES THE RIGHT TO CHANGE THIS DRAWING AND ANY ASSOCIATED DOCUMENTS.</p>	<p>UNLESS OTHERWISE SPECIFIED DIM ARE IN INCHES TOL ON ANGLES ± 1° 2 PL: ± 0.010" 3 PL: ± 0.005" INTERPRET DIM AND TOL PER ASME Y14.5M - 1994</p>	<p>DESIGN BY: 15/9/24 DATE: SMW DRAWN BY: 15/9/24 DATE: SMW AUTH: DATE: AUTH: DATE: AUTH: DATE: FILENAME: 170741</p>	<p>deceuninck </p> <p>NORTH AMERICA</p> <p>NAME: 142.294 HS</p> <p>SIZE DWG. NO: 142294HS-010 SCALE: 1:1 (LBS/FT.) SHEET: NE</p>
	<p>THIRD ANGLE PROJECTION</p> <p></p>		

CAD MAINTAINED. CHANGES SHALL BE INCORPORATED BY THE DESIGN ACTIVITY.

REVISION HISTORY			
REV	DESCRIPTION	DATE	APPROVED
-	DESCRIPTION	DATE	APPROV



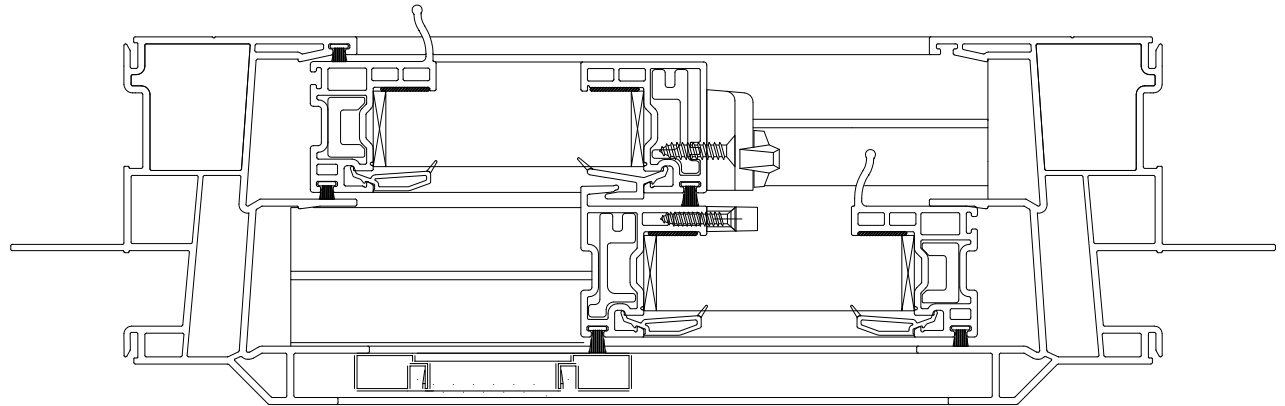
1



3

4

5



	Report #:	G6290-116-45
	Date:	5/17/2017
	Verified by:	<i>[Signature]</i>

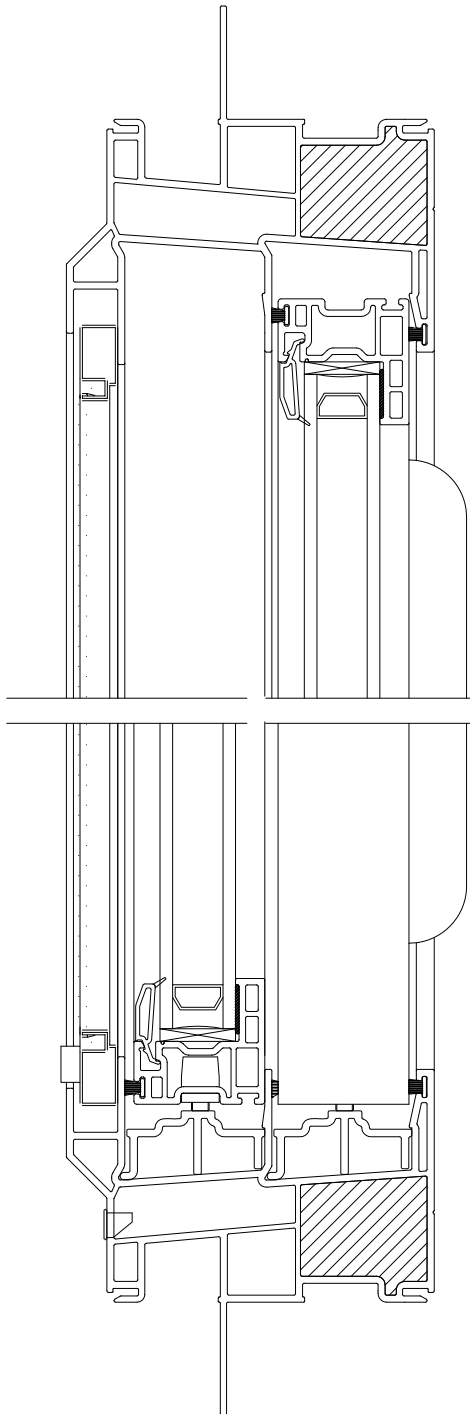
OPT 2

2

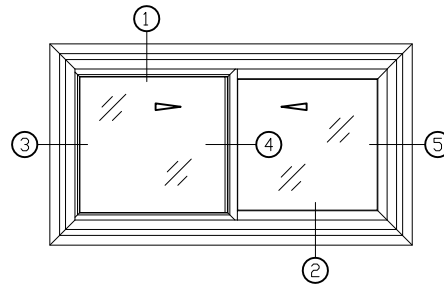
CONFIDENTIAL UNPUBLISHED WORK © 2015 DECEUNINCK NORTH AMERICA THIS DOCUMENT CONTAINS PROPRIETARY AND CONFIDENTIAL INFORMATION. DO NOT COPY OR DISCLOSE THIS INFORMATION WITHOUT THE EXPRESS WRITTEN CONSENT OF DECEUNINCK NORTH AMERICA. DECEUNINCK NORTH AMERICA RESERVES THE RIGHT TO CHANGE THIS DRAWING AND ANY ASSOCIATED DOCUMENTS.	UNLESS OTHERWISE SPECIFIED DIM ARE IN INCHES TOL ON ANGLES ± 1° 2 PL: ± 0.010" 3 PL: ± 0.005" INTERPRET DIM AND TOL PER ASME Y14.5M - 1994	DESIGN BY: 15/9/24 DATE: SMW DRAWN BY: 15/9/24 DATE: SMW AUTH: DATE: AUTH: DATE: AUTH: DATE: FILENAME: 170741	351 NORTH GARVER ROAD KEVINCE, OHIO 45002 NORTH AMERICA NAME: 142.294 HS SIZE DWG. NO: 142294HS-010 SCALE: 1:1 (LBS/FT.) SHEET: NE
	THIRD ANGLE PROJECTION 		

CAD MAINTAINED. CHANGES SHALL BE INCORPORATED BY THE DESIGN ACTIVITY.

REVISION HISTORY			
REV	DESCRIPTION	DATE	APPROVED
-	DESCRIPTION	DATE	APPROV



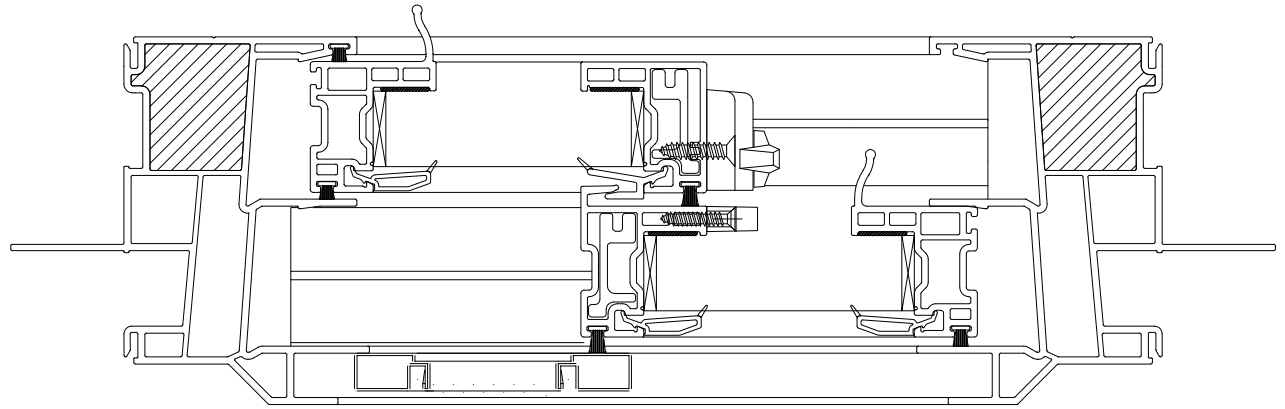
1



3



4

5



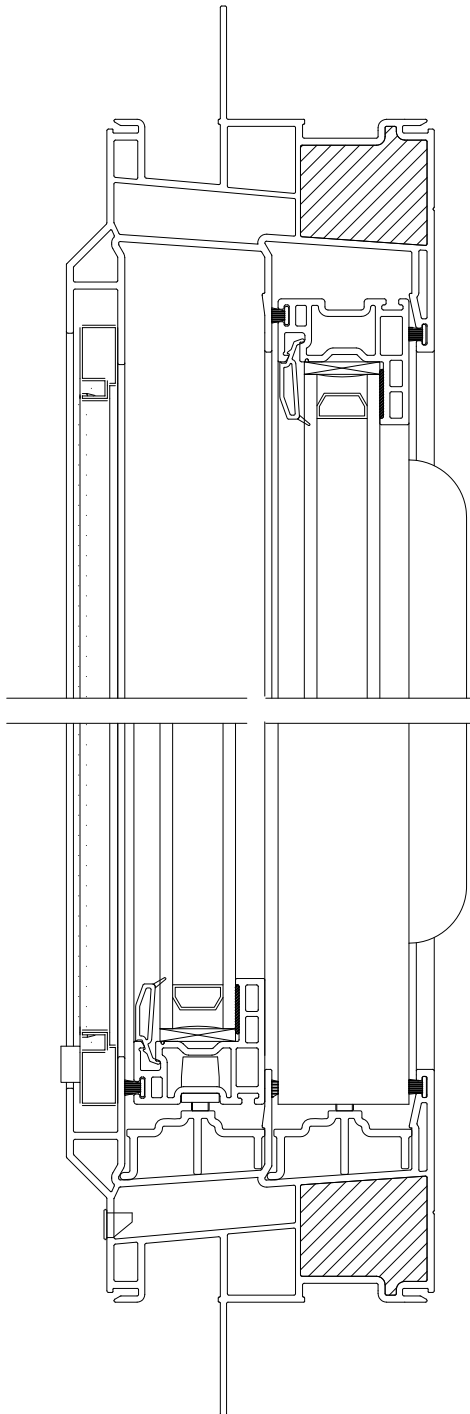

Report #: G6290-116-45
Date: 5/17/2017
Verified by: *[Signature]*

OPT 3 POLYURETHANE FOAM INSULATION

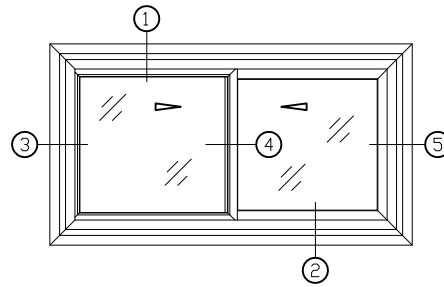
CONFIDENTIAL UNPUBLISHED WORK © 2015 DECEUNINCK NORTH AMERICA THIS DOCUMENT CONTAINS PROPRIETARY AND CONFIDENTIAL INFORMATION. DO NOT COPY OR DISCLOSE THIS INFORMATION WITHOUT THE EXPRESS WRITTEN CONSENT OF DECEUNINCK NORTH AMERICA. DECEUNINCK NORTH AMERICA RESERVES THE RIGHT TO CHANGE THIS DRAWING AND ANY ASSOCIATED DOCUMENTS.	UNLESS OTHERWISE SPECIFIED DIM ARE IN INCHES TOL ON ANGLES ± 1° 2 PL: ± 0.010" 3 PL: ± 0.005" INTERPRET DIM AND TOL PER ASME Y14.5M - 1994	DESIGN BY: 15/9/24 DATE: SMW DRAWN BY: 15/9/24 DATE: SMW AUTH: DATE: AUTH: DATE: AUTH: DATE: FILENAME: 170741	 NORTH AMERICA NAME: 142.294 HS SIZE DWG. NO: 142294HS-010 SCALE: 1:1 (LBS/FT.) SHEET: NE
	THIRD ANGLE PROJECTION 		

CAD MAINTAINED. CHANGES SHALL BE INCORPORATED BY THE DESIGN ACTIVITY.

REVISION HISTORY			
REV	DESCRIPTION	DATE	APPROVED
-	DESCRIPTION	DATE	APPROV



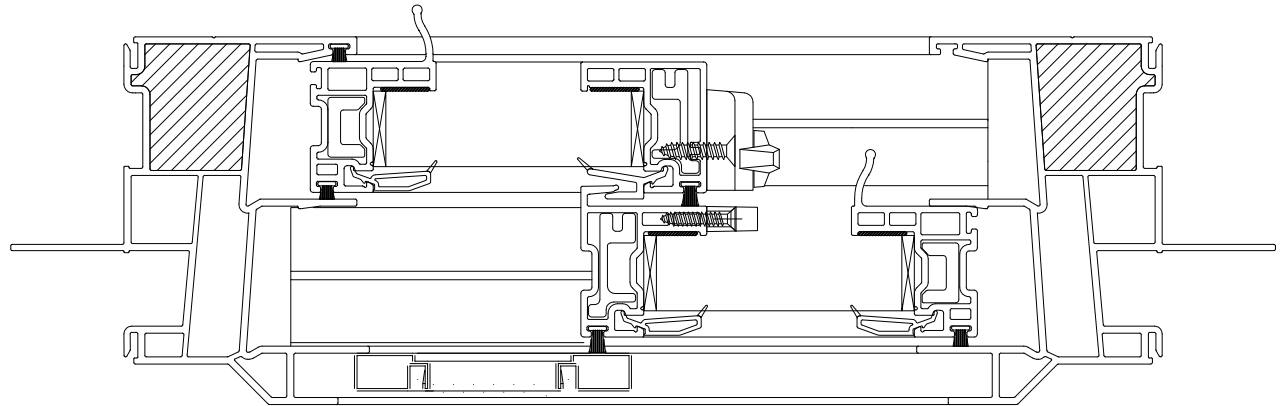
1



3

4



5



 	Report #:	G6290-116-45
	Date:	5/17/2017
	Verified by:	

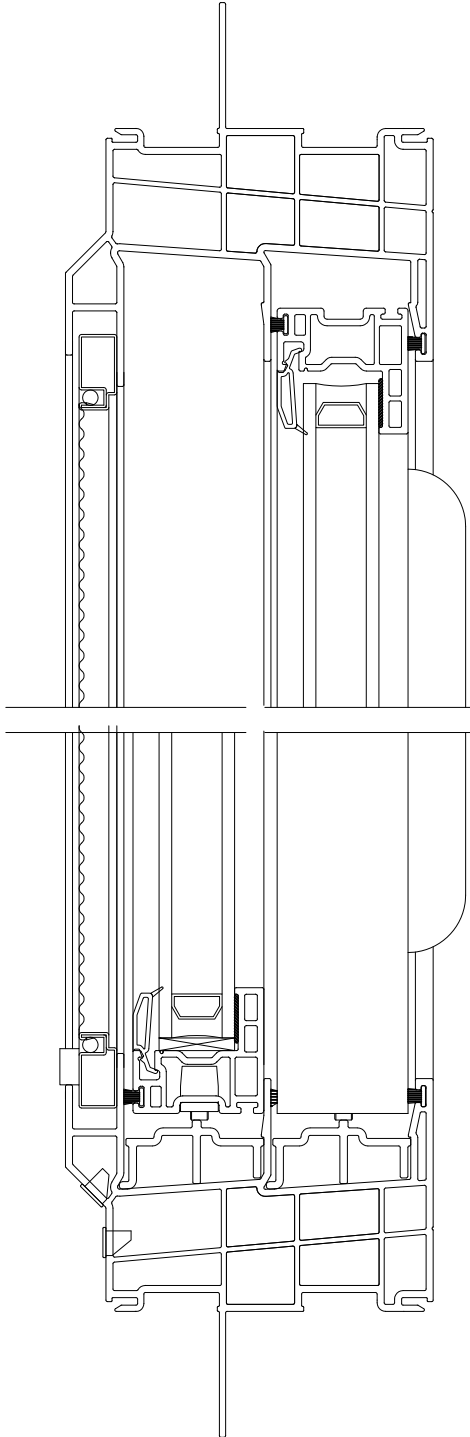
OPT 4 POLYURETHANE FOAM INSULATION

2

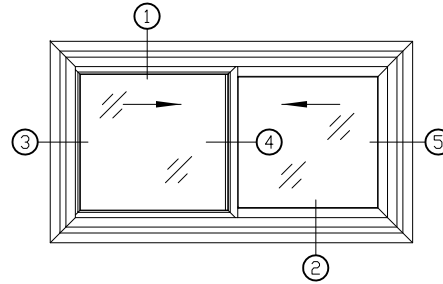
CONFIDENTIAL UNPUBLISHED WORK © 2015 DECEUNINCK NORTH AMERICA THIS DOCUMENT CONTAINS PROPRIETARY AND CONFIDENTIAL INFORMATION. DO NOT COPY OR DISCLOSE THIS INFORMATION WITHOUT THE EXPRESS WRITTEN CONSENT OF DECEUNINCK NORTH AMERICA. DECEUNINCK NORTH AMERICA RESERVES THE RIGHT TO CHANGE THIS DRAWING AND ANY ASSOCIATED DOCUMENTS.	UNLESS OTHERWISE SPECIFIED DIM ARE IN INCHES TOL ON ANGLES ± 1° 2 PL: ± 0.010" 3 PL: ± 0.005" INTERPRET DIM AND TOL PER ASME Y14.5M - 1994	DESIGN BY: 15/9/24 DATE: SMW DRAWN BY: 15/9/24 DATE: SMW AUTH: DATE: AUTH: DATE: AUTH: DATE: FILENAME: 170741	 351 NORTH GARVER ROAD KEVINCE, OHIO 45002 NORTH AMERICA NAME: 142.294 HS SIZE DWG. NO: 142294HS-010 SCALE: 1:1 (LBS/FT.) SHEET: NE
	THIRD ANGLE PROJECTION 		

CAD MAINTAINED. CHANGES SHALL BE INCORPORATED BY THE DESIGN ACTIVITY.

REVISION HISTORY			
REV	DESCRIPTION	DATE	APPROVED
-	DESCRIPTION	DATE	APPROV
-	DESCRIPTION	DATE	APPROV



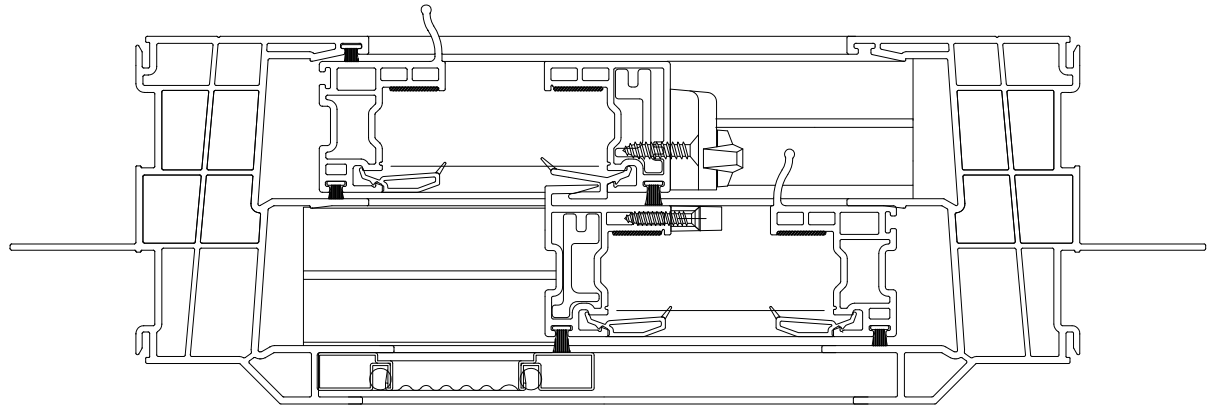
1



3

4

5



	Report #:	G6290-116-45
	Date:	5/17/2017
	Verified by:	<i>[Signature]</i>

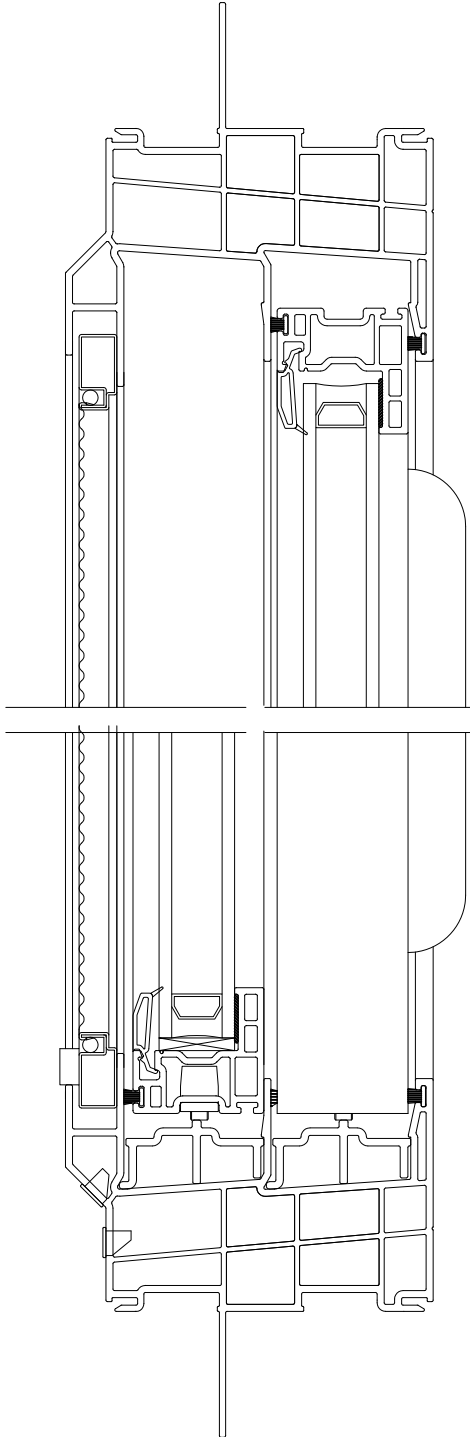
OPT 1

2

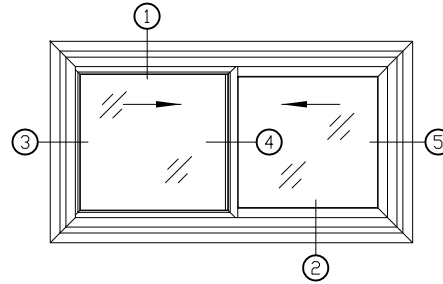
CONFIDENTIAL UNPUBLISHED WORK © 2015 DECEUNINCK NORTH AMERICA THIS DOCUMENT CONTAINS PROPRIETARY AND CONFIDENTIAL INFORMATION. DO NOT COPY OR DISCLOSE THIS INFORMATION WITHOUT THE EXPRESS WRITTEN CONSENT OF DECEUNINCK NORTH AMERICA. DECEUNINCK NORTH AMERICA RESERVES THE RIGHT TO CHANGE THIS DRAWING AND ANY ASSOCIATED DOCUMENTS.	UNLESS OTHERWISE SPECIFIED DIM ARE IN INCHES TOL ON ANGLES ± 1° 2 PL ± 0.010" 3 PL ± 0.005" INTERPRET DIM AND TOL PER ASME Y14.5M - 1994	DESIGN BY:	SMW	351 NORTH GARVER ROAD KEVINCE, OHIO 45002 NORTH AMERICA			
		DATE:	15/10/05		NAME:	148.294 HS	
THIRD ANGLE PROJECTION 		DRAWN BY:	SMW	SIZE DWG. NO:	148294HS-002	REV:	NE
		AUTH:	DATE:	AUTH:	DATE:	SCALE:	1:1 (LBS/FT.)
		FILENAME:	170900				

CAD MAINTAINED. CHANGES SHALL BE INCORPORATED BY THE DESIGN ACTIVITY.

REVISION HISTORY			
REV	DESCRIPTION	DATE	APPROVED
-	DESCRIPTION	DATE	APPROV
-	DESCRIPTION	DATE	APPROV



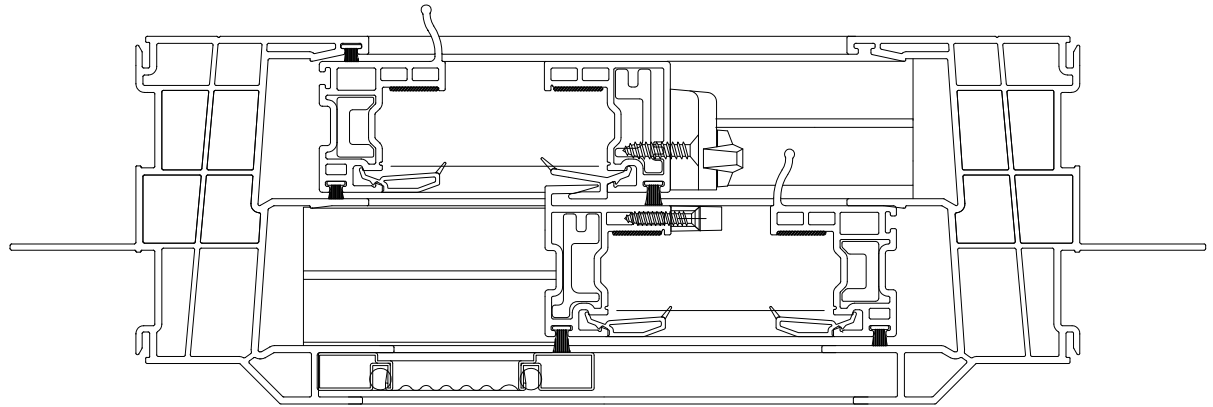
1



3

4

5



	Report #:	G6290-116-45
	Date:	5/17/2017
	Verified by:	<i>[Signature]</i>

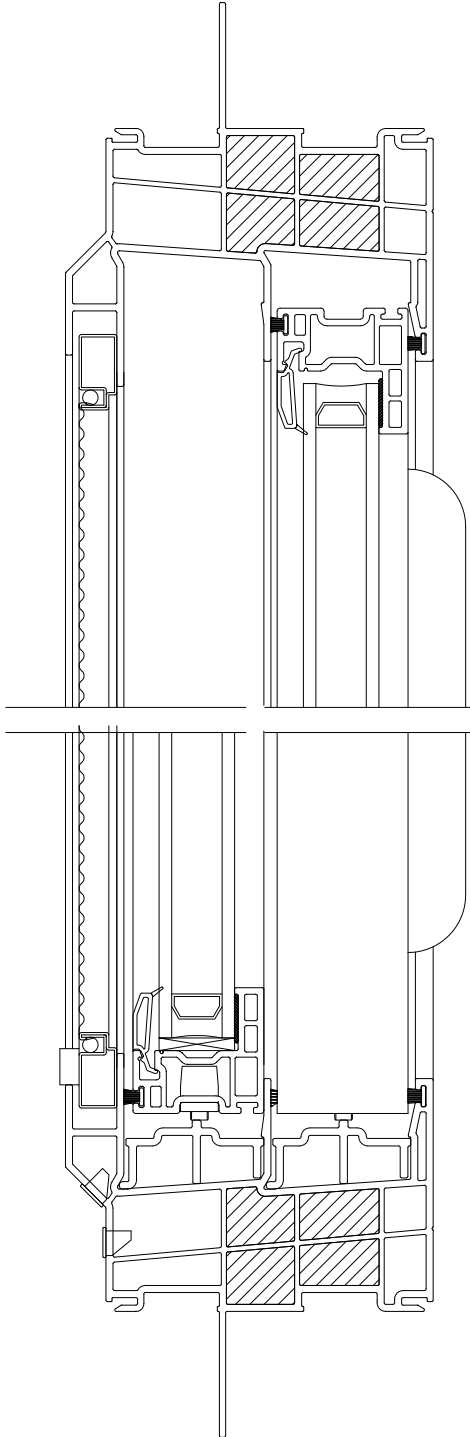
OPT 2

2

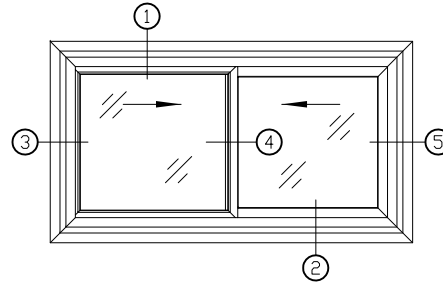
CONFIDENTIAL UNPUBLISHED WORK © 2015 DECEUNINCK NORTH AMERICA THIS DOCUMENT CONTAINS PROPRIETARY AND CONFIDENTIAL INFORMATION. DO NOT COPY OR DISCLOSE THIS INFORMATION WITHOUT THE EXPRESS WRITTEN CONSENT OF DECEUNINCK NORTH AMERICA. DECEUNINCK NORTH AMERICA RESERVES THE RIGHT TO CHANGE THIS DRAWING AND ANY ASSOCIATED DOCUMENTS.	UNLESS OTHERWISE SPECIFIED DIM ARE IN INCHES TOL ON ANGLES ± 1° 2 PL: ± 0.010" 3 PL: ± 0.005" INTERPRET DIM AND TOL PER ASME Y14.5M - 1994	DESIGN BY:	SMW	351 NORTH GARVER ROAD KEVOCHE, OHIO 45001 NORTH AMERICA			
		DATE:	15/10/05		NAME:	148.294 HS	
THIRD ANGLE PROJECTION 	FILENAME:	DRAWN BY:	SMW	SIZE DWG. NO:	148294HS-002	REV:	NE
		AUTH:	DATE:	AUTH:	DATE:	SCALE:	1: (LBS/FT.)

CAD MAINTAINED. CHANGES SHALL BE INCORPORATED BY THE DESIGN ACTIVITY.

REVISION HISTORY			
REV	DESCRIPTION	DATE	APPROVED
-	DESCRIPTION	DATE	APPROV
-	DESCRIPTION	DATE	APPROV



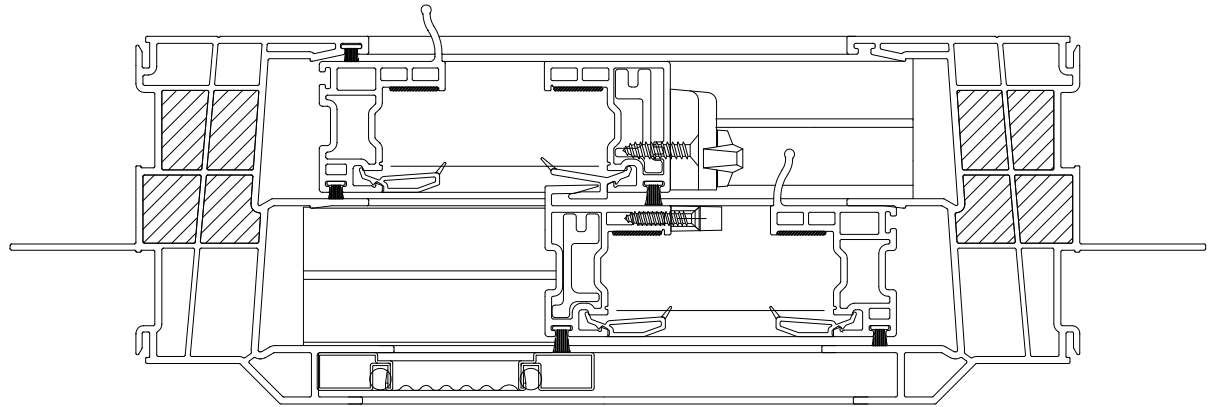
1



3

4

5



2

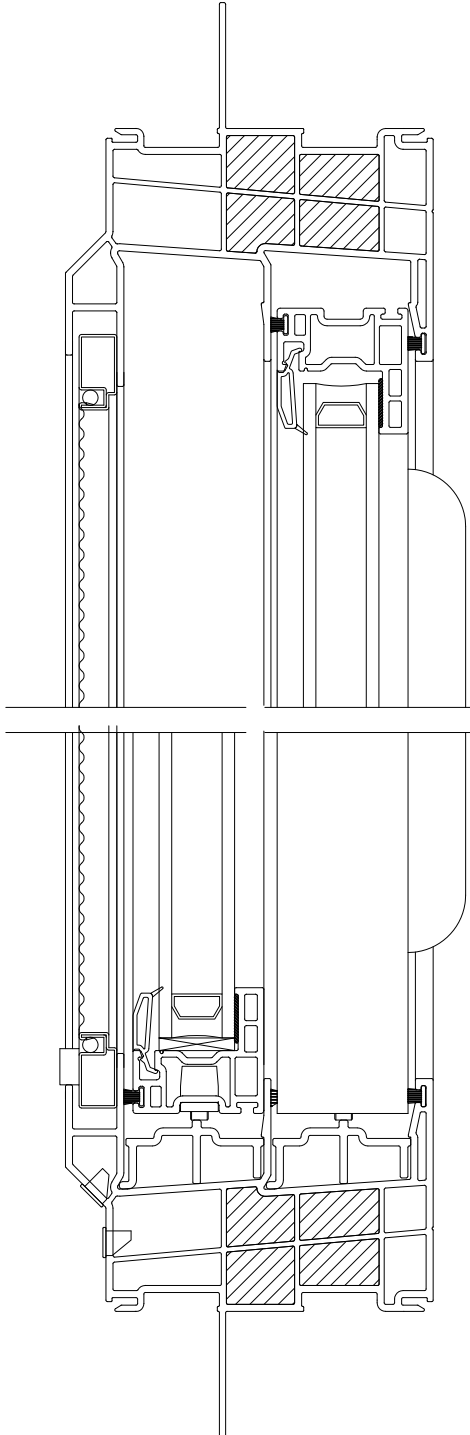
	Report #:	G6290-116-45
	Date:	5/17/2017
	Verified by:	<i>[Signature]</i>

OPT 3 POLYURETHANE FOAM INSULATION

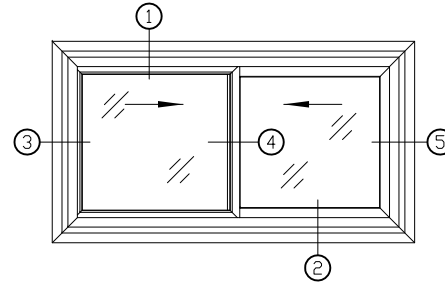
CONFIDENTIAL UNPUBLISHED WORK © 2015 DECEUNINCK NORTH AMERICA THIS DOCUMENT CONTAINS PROPRIETARY AND CONFIDENTIAL INFORMATION. DO NOT COPY OR DISCLOSE THIS INFORMATION WITHOUT THE EXPRESS WRITTEN CONSENT OF DECEUNINCK NORTH AMERICA. DECEUNINCK NORTH AMERICA RESERVES THE RIGHT TO CHANGE THIS DRAWING AND ANY ASSOCIATED DOCUMENTS.	UNLESS OTHERWISE SPECIFIED DIM ARE IN INCHES TOL ON ANGLES ± 1° 2 PL ± 0.010" 3 PL ± 0.005" INTERPRET DIM AND TOL PER ASME Y14.5M - 1994	DESIGN BY:	SMW	NORTH AMERICA <small>351 NORTH GARVER ROAD KEVINCE, OHIO 45002</small>	
		DATE:	15/10/05		
THIRD ANGLE PROJECTION 	FILENAME:	DRAWN BY:	SMW	NAME:	148.294 HS
		AUTH:	DATE:	DATE:	DATE:
		AUTH:	DATE:	DATE:	DATE:
		AUTH:	DATE:	DATE:	DATE:
		FILENAME:	170900	SIZE DWG. NO:	148294HS-002
		SCALE:	1:1 (LBS/FT.)	REV:	NE
				SHEET:	1 OF 1

CAD MAINTAINED. CHANGES SHALL BE INCORPORATED BY THE DESIGN ACTIVITY.

REVISION HISTORY			
REV	DESCRIPTION	DATE	APPROVED
-	DESCRIPTION	DATE	APPROV
-	DESCRIPTION	DATE	APPROV



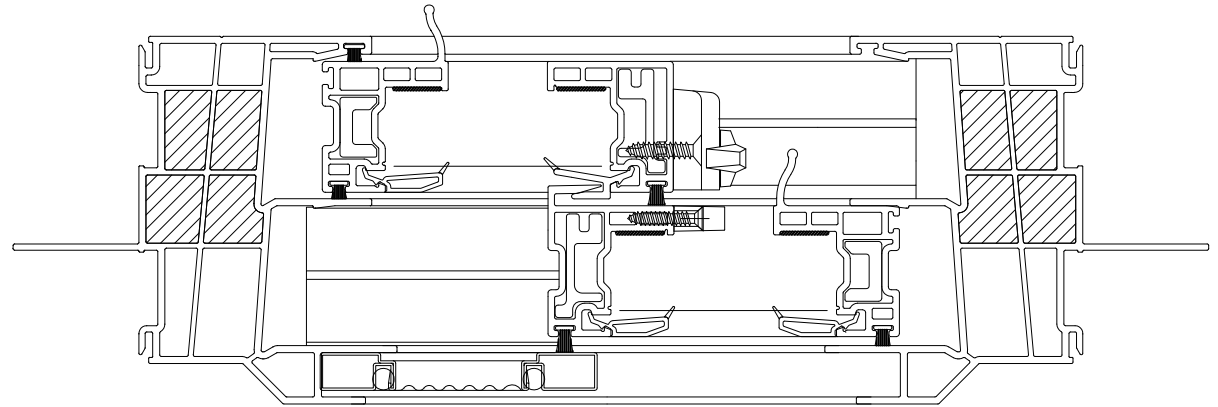
1



3

4

5







 Report #: G6290-116-45
 Date: 5/17/2017
 Verified by: *[Signature]*

OPT 4 POLYURETHANE FOAM INSULATION

2

CONFIDENTIAL UNPUBLISHED WORK © 2015 DECEUNINCK NORTH AMERICA THIS DOCUMENT CONTAINS PROPRIETARY AND CONFIDENTIAL INFORMATION. DO NOT COPY OR DISCLOSE THIS INFORMATION WITHOUT THE EXPRESS WRITTEN CONSENT OF DECEUNINCK NORTH AMERICA. DECEUNINCK NORTH AMERICA RESERVES THE RIGHT TO CHANGE THIS DRAWING AND ANY ASSOCIATED DOCUMENTS.	UNLESS OTHERWISE SPECIFIED DIM ARE IN INCHES TOL ON ANGLES ± 1° 2 PL ± 0.010" 3 PL ± 0.005" INTERPRET DIM AND TOL PER ASME Y14.5M - 1994	DESIGN BY: SMW DATE: 15/10/05 DRAWN BY: SMW DATE: 15/10/05 AUTH: DATE: AUTH: DATE: AUTH: DATE: FILENAME: 170900	 NORTH AMERICA NAME: 148.294 HS SIZE DWG. NO: 148294HS-002 SCALE: 1:1 (LBS/FT.)
	THIRD ANGLE PROJECTION 	REV: NE SHEET: 1 OF 1	

Double Slider		DECEUNINCK MODEL NO.		141.094 HS - 002						deceuninck
		Part No.	Vendor	Material	Type	Qty	Size	Length	Head	
				ex. Vinyl, Alum, Composite	ex. Rivot / Screw		ex. #4, #6, #8, etc.		ex. Pan, Flat, Oval, etc.	
Frame										
	Head	10005563								
	Frame Adapter - Head (if applicable)									
	Jamb	10005563								
	Sill	10005563								
	Frame Adapter - Sill (if applicable)									
	Slider Track	10008466								
	Screen Track Filler									
	Slider Track Reinf. (if applicable)									
Sash										
	Pull Stiles	10008894								
	Rails	10008875								
	Keeper Stile	10008890								
	Lock Stile	10008885								
	Glazing Bead	10005473								
	Interlock Glazing Bead (if applicable)	10005551								
Hardware										
	Glass Thickness	3/4" IG								
	Lock - Auto, Cam or Sweep Keeper (if applicable)									
	Roller									
	Night Latch									
Reinforcement										
	(if applicable)									
	Frame									
	Rails									
	Keeper Stile	10300082								
	Lock Stile	10300082								

A print and CAD (dxf) drawing for any non-Deceuninck parts (i.e. glazing beads, reinforcements, bulb seals, balance covers, screen adapters, etc.), except glass and hardware components must be emailed along with a copy of this completed form to Deceuninck for the testing process to begin.

Confidential - Unpublished Work © 2013 - Deceuninck North America

THIS DOCUMENT CONTAINS PROPRIETARY AND CONFIDENTIAL INFORMATION. DO NOT COPY OR DISCLOSE THIS INFORMATION WITHOUT THE EXPRESS WRITTEN CONSENT OF DECEUNINCK NORTH AMERICA. DECEUNINCK NORTH AMERICA RESERVES THE RIGHT TO CHANGE THIS DRAWING AND ANY ASSOCIATED DOCUMENTS.


 	Report #:	G6290-116-45
	Date:	5/17/2017
	Verified by:	

Double Slider		DECEUNINCK MODEL NO.		142.094 HS - 002						deceuninck
		Part No.	Vendor	Material	Type	Qty	Size	Length	Head	
				ex. Vinyl, Alum, Composite	ex. Rivot / Screw		ex. #4, #6, #8, etc.		ex. Pan, Flat, Oval, etc.	
Frame										
	Head	10008678								
	Frame Adapter - Head (if applicable)									
	Jamb	10008678								
	Sill	10008678								
	Frame Adapter - Sill (if applicable)									
	Slider Track	10008466								
	Screen Track Filler									
	Slider Track Reinf. (if applicable)									
Sash										
	Pull Stiles	10008894								
	Rails	10008875								
	Keeper Stile	10008890								
	Lock Stile	10008885								
	Glazing Bead	10005473								
	Interlock Glazing Bead (if applicable)	10005551								
Hardware										
	Glass Thickness	3/4" IG								
	Lock - Auto, Cam or Sweep									
	Keeper (if applicable)									
	Roller									
	Night Latch									
Reinforcement										
	(if applicable)									
	Frame									
	Rails									
	Keeper Stile	10300082								
	Lock Stile	10300082								

A print and CAD (dxf) drawing for any non-Deceuninck parts (i.e. glazing beads, reinforcements, bulb seals, balance covers, screen adapters, etc.), except glass and hardware components must be emailed along with a copy of this completed form to Deceuninck for the testing process to begin.

Confidential - Unpublished Work © 2013 - Deceuninck North America

THIS DOCUMENT CONTAINS PROPRIETARY AND CONFIDENTIAL INFORMATION. DO NOT COPY OR DISCLOSE THIS INFORMATION WITHOUT THE EXPRESS WRITTEN CONSENT OF DECEUNINCK NORTH AMERICA. DECEUNINCK NORTH AMERICA RESERVES THE RIGHT TO CHANGE THIS DRAWING AND ANY ASSOCIATED DOCUMENTS.


	Report #:	G6290-116-45
	Date:	5/17/2017
	Verified by:	

Double Slider		DECEUNINCK MODEL NO.		148.094 HS - 002						deceuninck
		Part No.	Vendor	Material	Type	Qty	Size	Length	Head	
				ex. Vinyl, Alum, Composite	ex. Rivot / Screw		ex. #4, #6, #8, etc.		ex. Pan, Flat, Oval, etc.	
Frame										
	Head	10005588								
	Frame Adapter - Head (if applicable)									
	Jamb	10005588								
	Sill	10005588								
	Frame Adapter - Sill (if applicable)									
	Slider Track	10008466								
	Screen Track Filler									
	Slider Track Reinf. (if applicable)									
Sash										
	Pull Stiles	10008894								
	Rails	10008875								
	Keeper Stile	10008890								
	Lock Stile	10008885								
	Glazing Bead	10005473								
	Interlock Glazing Bead (if applicable)	10005551								
Hardware										
	Glass Thickness	3/4" IG								
	Lock - Auto, Cam or Sweep									
	Keeper (if applicable)									
	Roller									
	Night Latch									
Reinforcement										
	(if applicable)									
	Frame									
	Rails									
	Keeper Stile	10300082								
	Lock Stile	10300082								

A print and CAD (dxf) drawing for any non-Deceuninck parts (i.e. glazing beads, reinforcements, bulb seals, balance covers, screen adapters, etc.), except glass and hardware components must be emailed along with a copy of this completed form to Deceuninck for the testing process to begin.

Confidential - Unpublished Work © 2013 - Deceuninck North America

THIS DOCUMENT CONTAINS PROPRIETARY AND CONFIDENTIAL INFORMATION. DO NOT COPY OR DISCLOSE THIS INFORMATION WITHOUT THE EXPRESS WRITTEN CONSENT OF DECEUNINCK NORTH AMERICA. DECEUNINCK NORTH AMERICA RESERVES THE RIGHT TO CHANGE THIS DRAWING AND ANY ASSOCIATED DOCUMENTS.

 	Report #:	G6290-116-45
	Date:	5/17/2017
	Verified by:	

000.294 HS - 001 SASH - BILL OF MATERIALS

ITEM NO.	MAT. TYPE	DESCRIPTION	QUANTITY	PART NO.	FAB DWG. NO	SOURCE
1	VINYL	TOP RAIL	2	10008865	10008865-F-05	A
2	VINYL	LOCK RAIL	1	10008885	10008885-F-05	A
3	VINYL	PULL STILE	2	10008866	10008866-F-02	A
4	VINYL	BOTTOM RAIL	2	10008865	10008865-F-03	A
5	VINYL	KEEPER STILE	1	10008890	10008890-F-02	A
7	VINYL	HORIZONTAL GLAZING BEAD	4	10008134	10008134-F-01	A
8	VINYL	VERTICAL GLAZING BEAD	3	10008134	10008134-F-01	A
9	VINYL	INTERLOCK GLAZING BEAD	1	10005551	10005551-F-02	A
10		3/4" INSULATED GLASS	1			
11		GLAZING COMPOUND	AS REQ'D	SBC2150		T
12		SETTING BLOCKS (Refer to IG Supplier Guideline)	AS REQ'D	1/8" x 3/4"		W
13		CENTER FIN WEATHERSTRIPPING	AS REQ'D	.290 HT. x .187 BK		F, I
14	MILL ALUM	Optional :SASH REINFORCEMENT (Alum)	AS REQ'D	10006202	Straight cut	EEE, OOO
15	MILL ALUM	Optional :SASH REINFORCEMENT (Alum)	AS REQ'D	AWA .27 SASH SMALL ALUMINUM	Straight cut	EEE, OOO
16	Pultrusion	Optional :SASH REINFORCEMENT (Pultrusion)	AS REQ'D	10006202	Straight cut	A
17	Pultrusion	Optional : SASH REINFORCEMENT (Pultrusion)	AS REQ'D	AWA .27 SASH SMALL INNERGY	Straight cut	A
19		SASH ROLLER	4	360 A/P		J
20		LOCK ASSEMBLY	1 OR 2	L29990010002R - NO NIBS		D
21		LOCK ASSEMBLY	1 OR 2	L29990110002R - NESTING NIBS		D
22		LOCK ASSEMBLY	1 OR 2	L2999001AM1R - NO NIBS / ALLIANCE LOGO		D
23		LOCK ASSEMBLY	1 OR 2	L2999011AM1R - NESTING NIBS / ALLIANCE LOGO		D
24		KEEPER	1 OR 2	12911		D
25		SCREW FOR LOCK ASSEMBLY	2 OR 4	#8 x 1 PFH		B, Z
26		SCREW FOR KEEPER	2 OR 4	#5 x 3/4 PFH		B, Z
27						
28		OPTIONAL SASH ROLLER	2 OR 4	#12929-00		D

Rev	Date	Description	By

CONFIDENTIAL
 UNPUBLISHED WORK © 2015
 DECEUNINCK NORTH AMERICA

deceuninck	
NORTH AMERICA	
MONROE, OH	COPYRIGHT 2015
NAME:	000.294 HS - 001
DWN BY:	SMW 8/7/2015
CHKD BY:	
DWG NO:	000294HS-001

THIS DOCUMENT CONTAINS PROPRIETARY AND CONFIDENTIAL INFORMATION. DO NOT COPY OR DISCLOSE THIS INFORMATION WITHOUT THE EXPRESS WRITTEN CONSENT OF DECEUNINCK NORTH AMERICA. DECEUNINCK NORTH AMERICA RESERVES THE RIGHT TO CHANGE THIS DRAWING AND ANY ASSOCIATED DOCUMENTS.

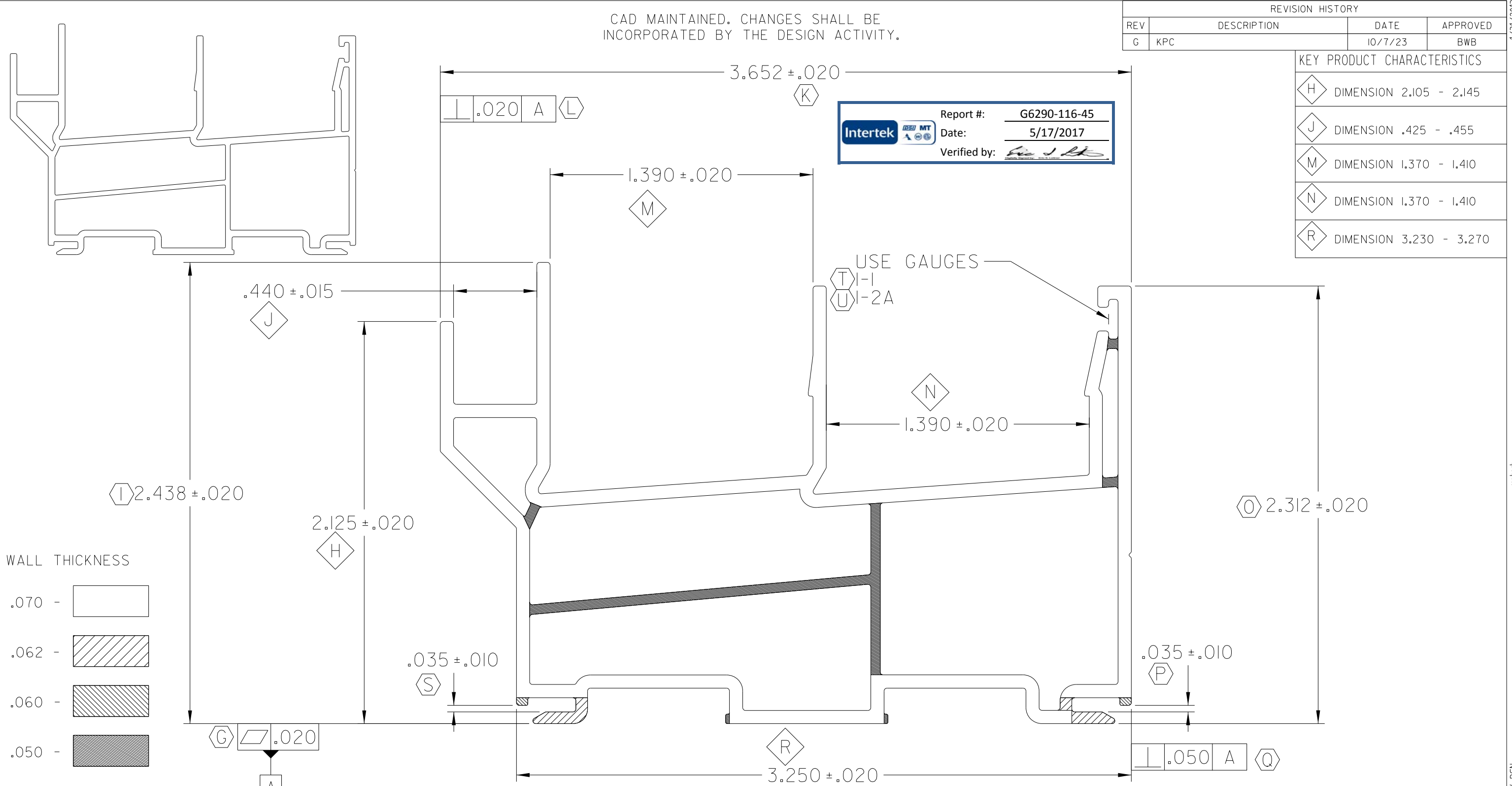
	Report #:	G6290-116-45
	Date:	5/17/2017
	Verified by:	

CAD MAINTAINED. CHANGES SHALL BE INCORPORATED BY THE DESIGN ACTIVITY.

REVISION HISTORY			
REV	DESCRIPTION	DATE	APPROVED
G	KPC	10/7/23	BWB

KEY PRODUCT CHARACTERISTICS	
\diamond H	DIMENSION 2.105 - 2.145
\diamond J	DIMENSION .425 - .455
\diamond M	DIMENSION 1.370 - 1.410
\diamond N	DIMENSION 1.370 - 1.410
\diamond R	DIMENSION 3.230 - 3.270

Report #: **G6290-116-45**
 Date: **5/17/2017**
 Verified by: *[Signature]*



WALL THICKNESS

.070 -	[White Box]
.062 -	[Diagonal Hatching]
.060 -	[Cross-hatching]
.050 -	[Dense Hatching]

- NOTES:
- 'STD00013' STRAIGHTNESS CLASS A AND LENGTH TOLERANCES APPLY \diamond A
 - INTERPRET ALL TOLERANCE APPLICATIONS PER STD0013 \diamond B
 - UNSPECIFIED EXTERNAL RADII = .XXX +.010 / -.005 \diamond C
 - UNSPECIFIED INTERNAL RADII = .XXX +.020 / -.005 \diamond D
 - UNSPECIFIED EXTERNAL WALL THICKNESS = .XXX +/- 10% \diamond E
 - UNSPECIFIED INTERNAL WALL THICKNESS = .XXX +/- 20% \diamond F

CONFIDENTIAL
 UNPUBLISHED WORK © 2010 DECEUNINCK NORTH AMERICA

THIS DOCUMENT CONTAINS PROPRIETARY AND CONFIDENTIAL INFORMATION. DO NOT COPY OR DISCLOSE THIS INFORMATION WITHOUT THE EXPRESS WRITTEN CONSENT OF DECEUNINCK NORTH AMERICA. DECEUNINCK NORTH AMERICA RESERVES THE RIGHT TO CHANGE THIS DRAWING AND ANY ASSOCIATED DOCUMENTS.

UNLESS OTHERWISE SPECIFIED DIM ARE IN INCHES
 TOL ON ANGLES \pm 1°
 2 PL: \pm 0.010" 3 PL: \pm 0.005"
 INTERPRET DIM AND TOL PER ASME Y14.5M - 1994

THIRD ANGLE PROJECTION

DESIGN BY:	RH
DATE:	99/06/02
DRAWN BY:	RH
DATE:	99/06/02
AUTH:	DATE:
AUTH:	DATE:
AUTH:	DATE:
FILENAME:	101984

deceuninck NORTH AMERICA
 351 NORTH GARVER ROAD
 MONROE, OHIO 45050

NAME: **MAIN FRAME - HS**

SIZE DWG. NO: **B** 10005563_SH REV. **G**

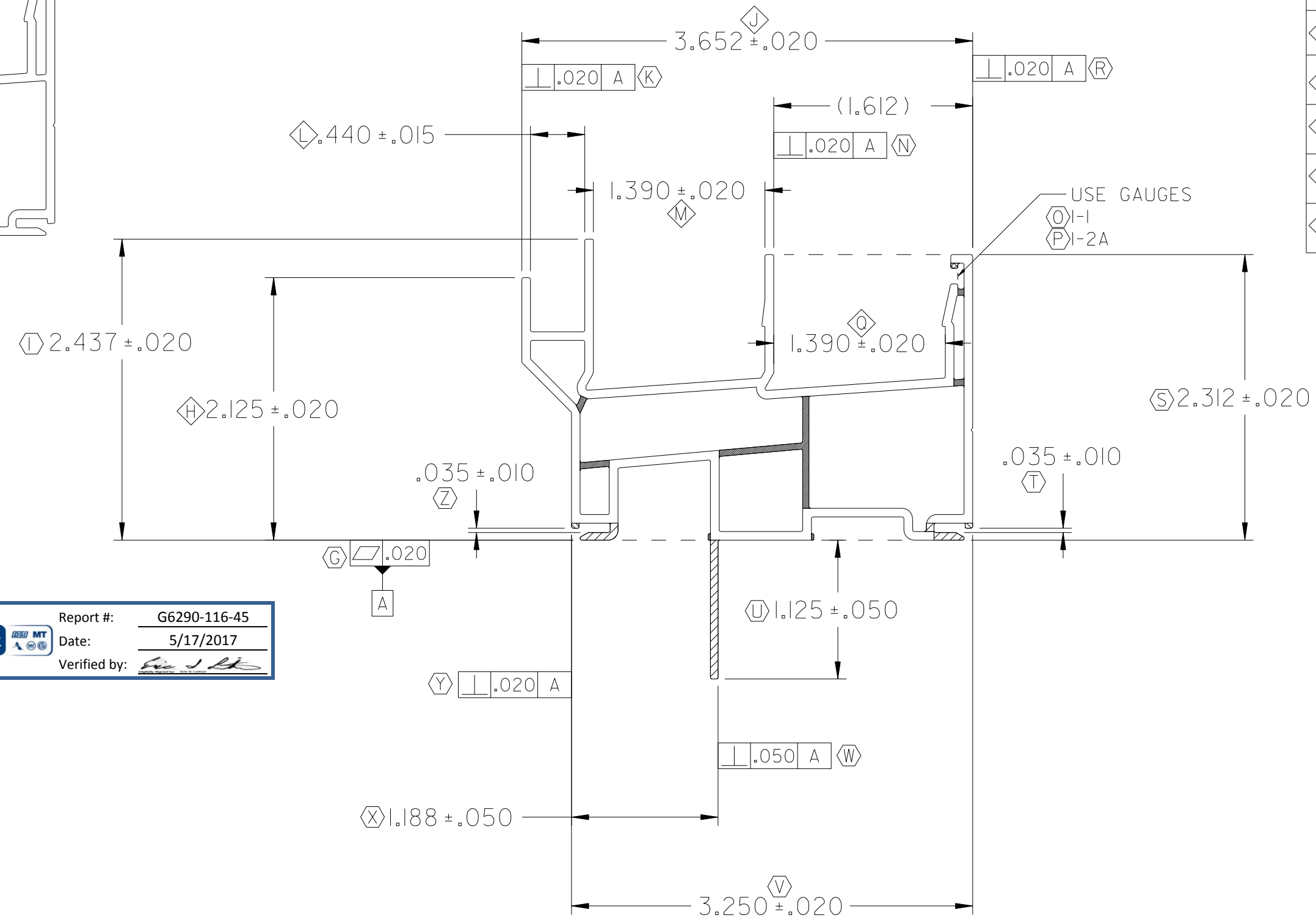
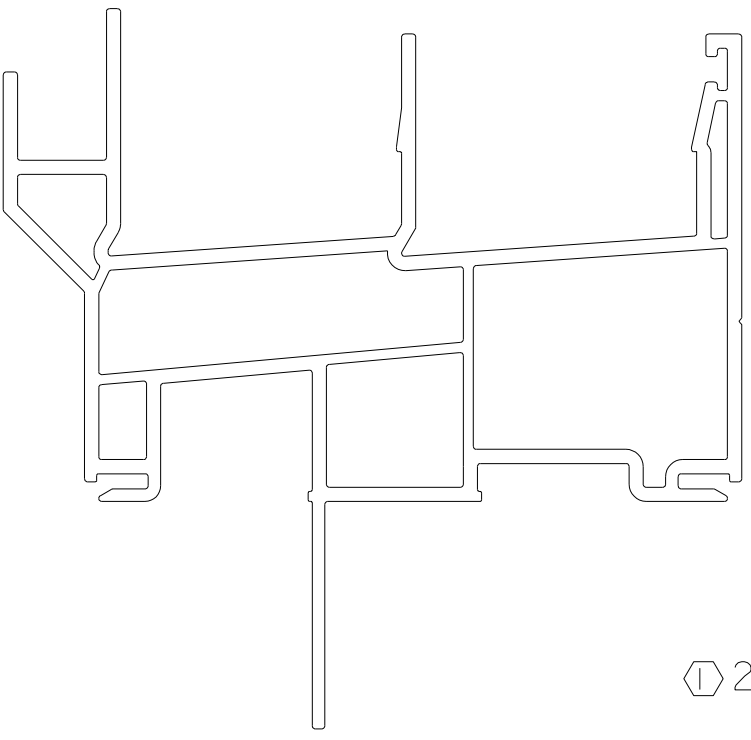
SCALE: 1:1 (LBS/FT.) .780 SHEET: 1 OF 1

17/31/2013
usbwb
\\monsr01\dectech\data\dgn\101984.DGN

CAD MAINTAINED. CHANGES SHALL BE INCORPORATED BY THE DESIGN ACTIVITY.

REVISION HISTORY			
REV	DESCRIPTION	DATE	APPROVED
E	KPC	11/01/12	BWB

KEY PRODUCT CHARACTERISTICS	
H	DIMENSION 2.105 - 2.145
J	DIMENSION 3.632 - 3.672
L	DIMENSION .425 - .455
M	DIMENSION 1.370 - 1.410
Q	DIMENSION 1.370 - 1.410



WALL THICKNESS

.070 -	
.062 -	
.060 -	
.057 -	
.050 -	

Report #: G6290-116-45
 Date: 5/17/2017
 Verified by:

- NOTES:
- 'STD00013' STRAIGHTNESS CLASS A AND LENGTH TOLERANCES APPLY (A)
 - INTERPRET ALL TOLERANCE APPLICATIONS PER STD0013 (B)
 - UNSPECIFIED EXTERNAL RADII = .XXX +.010 / -.005 (C)
 - UNSPECIFIED INTERNAL RADII = .XXX +.020 / -.005 (D)
 - UNSPECIFIED EXTERNAL WALL THICKNESS = .XXX +/- 10% (E)
 - UNSPECIFIED INTERNAL WALL THICKNESS = .XXX +/- 20% (F)

CONFIDENTIAL
 UNPUBLISHED WORK © 2011 DECEUNINCK NORTH AMERICA
 THIS DOCUMENT CONTAINS PROPRIETARY AND CONFIDENTIAL INFORMATION. DO NOT COPY OR DISCLOSE THIS INFORMATION WITHOUT THE EXPRESS WRITTEN CONSENT OF DECEUNINCK NORTH AMERICA. DECEUNINCK NORTH AMERICA RESERVES THE RIGHT TO CHANGE THIS DRAWING AND ANY ASSOCIATED DOCUMENTS.

UNLESS OTHERWISE SPECIFIED DIM ARE IN INCHES
 TOL ON ANGLES ± 1°
 2 PL: ± 0.010" 3 PL: ± 0.005"
 INTERPRET DIM AND TOL PER ASME Y14.5M - 1994
 THIRD ANGLE PROJECTION

DESIGN BY:	CRB
DATE:	01/08/02
DRAWN BY:	CRB
DATE:	01/08/02
AUTH:	DATE:
AUTH:	DATE:
AUTH:	DATE:
FILENAME:	\$FILE NAME\$

351 NORTH GARVER ROAD
 MONROE, OHIO 45050
 NAME: MAIN FRAME - HS
 SIZE DWG. NO: B 10008678_SH
 SCALE: 1:1 (LBS/FT.) .839 SHEET: 1 OF 1
 REV. E

\$PLT/DATES\$

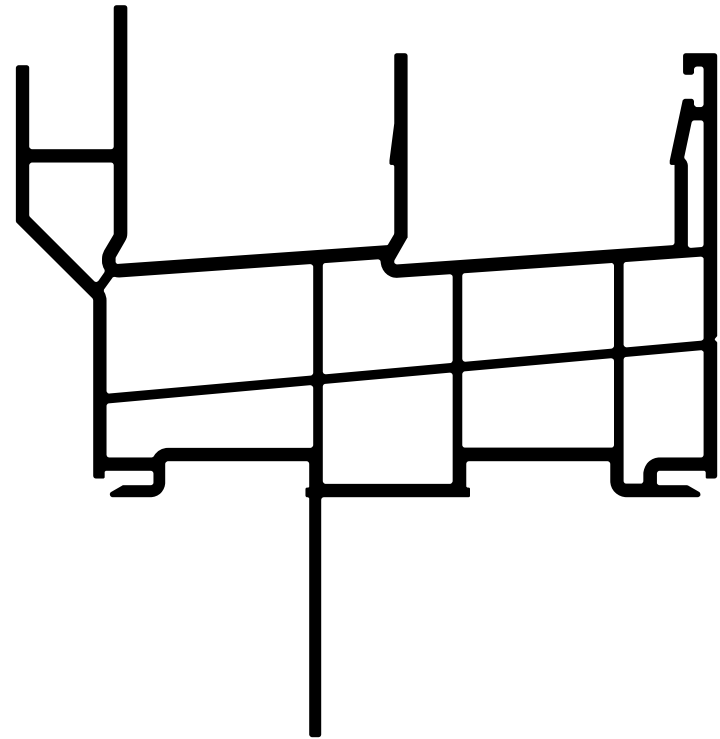
\$USERS\$

\$FILE\$

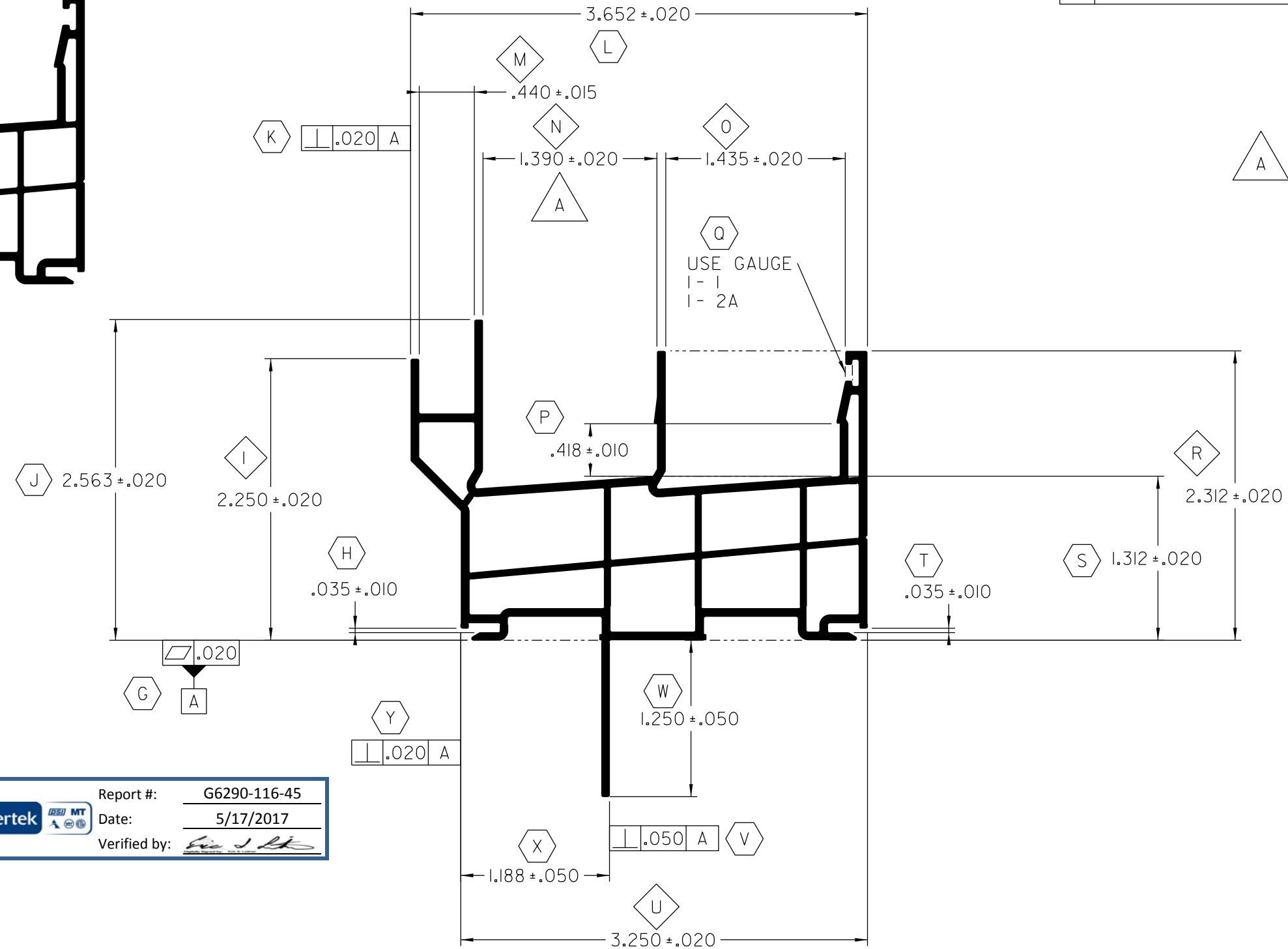
CAD MAINTAINED. CHANGES SHALL BE INCORPORATED BY THE DESIGN ACTIVITY.

REVISION HISTORY			
REV	DESCRIPTION	DATE	APPROVED
A	N DIMENSION WAS 1.460 +/- .020	13/01/14	MTC
-	DESCRIPTION	DATE	APPROVED

KEY PRODUCT CHARACTERISTICS	
I	DIMENSION 2.230 - 2.270
M	DIMENSION .425 - .455
N	DIMENSION 1.370 - 1.410
O	DIMENSION 1.415 - 1.455
R	DIMENSION 2.292 - 3.332
U	DIMENSION 3.230 - 3.270



SCALE = 1:1



WALL THICKNESS

- .070 - [Black Bar]
- .060 - [Black Bar]
- .062 - [Black Bar]
- .050 - [Black Bar]

Report #: G6290-116-45
 Date: 5/17/2017
 Verified by: *[Signature]*

NOTES:

- 'STD00013' STRAIGHTNESS CLASS A AND LENGTH TOLERANCES APPLY
- INTERPRET ALL TOLERANCE APPLICATION PER STD0013
- UNSPECIFIED EXTERNAL RADII = .XXX +.010/- .005
- UNSPECIFIED INTERNAL RADII = .XXX +.020/- .005
- UNSPECIFIED EXTERNAL WALL THICKNESS = .XXX +/- 10%
- UNSPECIFIED INTERNAL WALL THICKNESS = .XXX +/- 20%

CONFIDENTIAL

UNPUBLISHED WORK © 2012 DECEUNINCK NORTH AMERICA

THIS DOCUMENT CONTAINS PROPRIETARY AND CONFIDENTIAL INFORMATION. DO NOT COPY OR DISCLOSE THIS INFORMATION WITHOUT THE EXPRESS WRITTEN CONSENT OF DECEUNINCK NORTH AMERICA. DECEUNINCK NORTH AMERICA RESERVES THE RIGHT TO CHANGE THIS DRAWING AND ANY ASSOCIATED DOCUMENTS.

UNLESS OTHERWISE SPECIFIED DIM ARE IN INCHES
 TOL ON ANGLES ± 1°
 2 PL: ± 0.010° 3 PL: ± 0.005°
 INTERPRET DIM AND TOL PER ASME Y14.5M - 1994

THIRD ANGLE PROJECTION



DESIGN BY:	MTC
DATE:	12/05/31
DRAWN BY:	MTC
DATE:	12/05/31
AUTH:	DATE:
AUTH:	DATE:
AUTH:	DATE:
FILENAME:	\$FILE NAME\$

deceuninck NORTH AMERICA
 351 NORTH GARVER ROAD
 MONROE, OHIO 45050

NAME: MAIN FRAME-HS

SIZE	DWG. NO:	REV.
B	10005588_SH	A
SCALE:	1:1 (LBS/FT.)	SHEET: 1 OF 1

\$PLOTDATE\$

\$USER\$

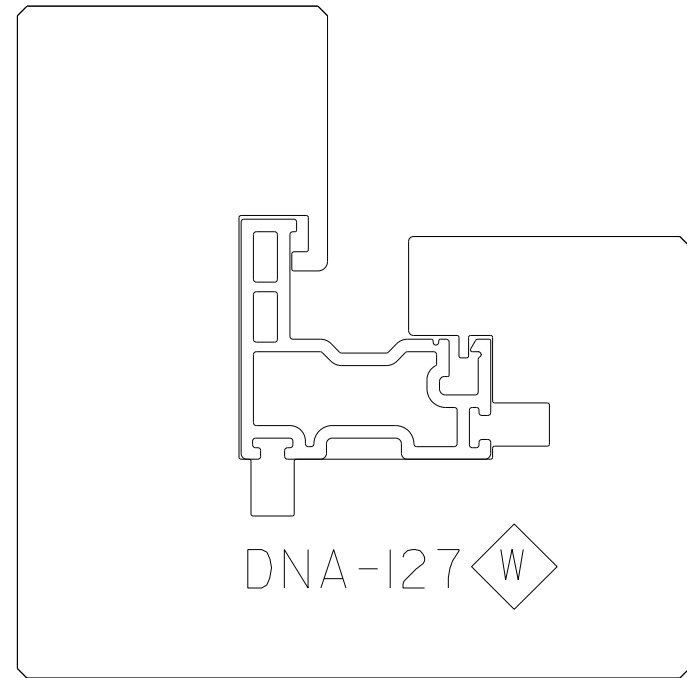
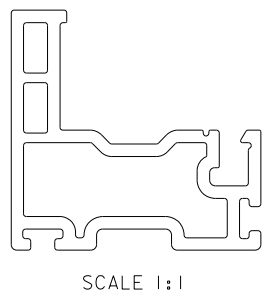
\$FILE\$

CAD MAINTAINED. CHANGES SHALL BE INCORPORATED BY THE DESIGN ACTIVITY.

REVISION HISTORY			
REV	DESCRIPTION	DATE	APPROVED
Y	REMOVED GAUGE DNA-I54	12/08/24	BWB

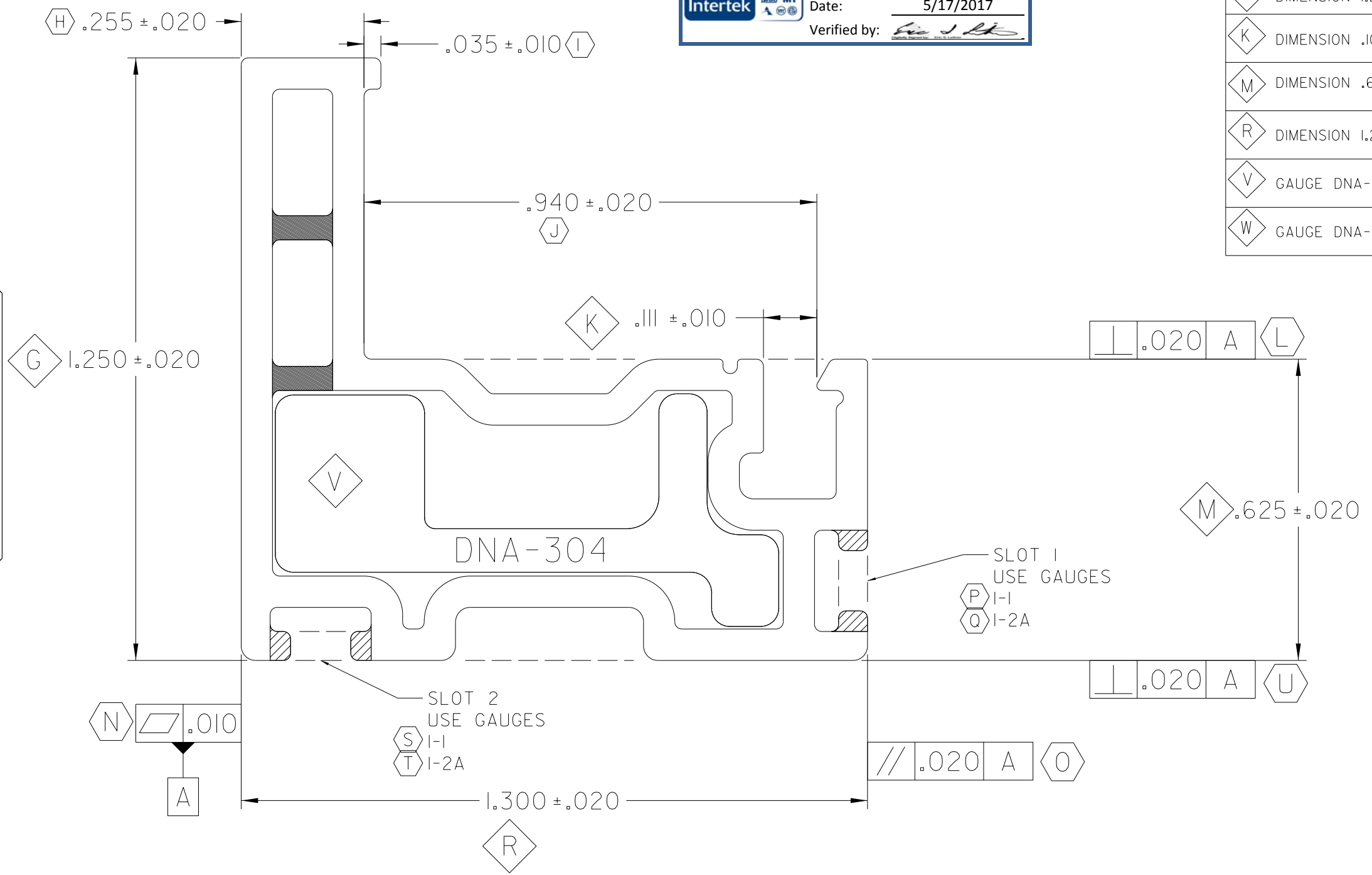

 Report #: **G6290-116-45**
 Date: **5/17/2017**
 Verified by: *[Signature]*

KEY PRODUCT CHARACTERISTICS	
G	DIMENSION 1.230 - 1.270
K	DIMENSION .101 - .121
M	DIMENSION .605 - .645
R	DIMENSION 1.280 - 1.320
V	GAUGE DNA-304
W	GAUGE DNA-I27



WALL THICKNESS

.065 -	
.060 -	
.050 -	



- NOTES:
- 'STD00013' STRAIGHTNESS CLASS C AND LENGTH TOLERANCES APPLY **A**
 - INTERPRET ALL TOLERANCE APPLICATIONS PER STD0013 **B**
 - UNSPECIFIED EXTERNAL RADII = .XXX +.010 / -.005 **C**
 - UNSPECIFIED INTERNAL RADII = .XXX +.020 / -.005 **D**
 - UNSPECIFIED EXTERNAL WALL THICKNESS = .XXX +/- 10% **E**
 - UNSPECIFIED INTERNAL WALL THICKNESS = .XXX +/- 20% **F**

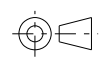
CONFIDENTIAL

UNPUBLISHED WORK © 2012 DECEUNINCK NORTH AMERICA

THIS DOCUMENT CONTAINS PROPRIETARY AND CONFIDENTIAL INFORMATION. DO NOT COPY OR DISCLOSE THIS INFORMATION WITHOUT THE EXPRESS WRITTEN CONSENT OF DECEUNINCK NORTH AMERICA. DECEUNINCK NORTH AMERICA RESERVES THE RIGHT TO CHANGE THIS DRAWING AND ANY ASSOCIATED DOCUMENTS.

UNLESS OTHERWISE SPECIFIED DIM ARE IN INCHES
 TOL ON ANGLES ± 1°
 2 PL: + 0.010" 3 PL: + 0.005"
 INTERPRET DIM AND TOL PER ASME Y14.5M - 1994

THIRD ANGLE PROJECTION



DESIGN BY:	RH
DATE:	94/02/10
DRAWN BY:	CRB
DATE:	94/02/10
AUTH:	DATE:
AUTH:	DATE:
AUTH:	DATE:
FILENAME:	130108.DGN

deceuninck NORTH AMERICA

351 NORTH GARVER ROAD
 MONROE, OHIO 45050

NAME: **MAIN SASH**

SIZE DWG. NO: **B** 10008875_SH

SCALE: 4:1 (LBS/FT.) .243 SHEET: 1 OF 1

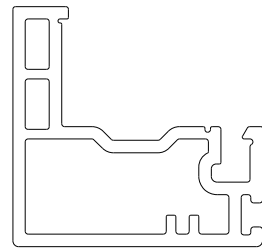
8/24/2012
usbwb
\\monsr01\deceun\DATA\130108.DGN

CAD MAINTAINED. CHANGES SHALL BE INCORPORATED BY THE DESIGN ACTIVITY.

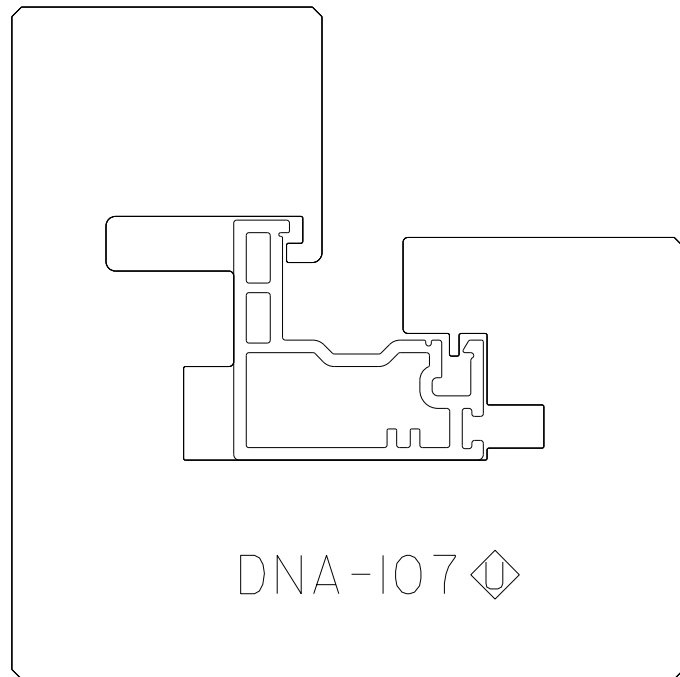
REVISION HISTORY			
REV	DESCRIPTION	DATE	APPROVED
M	REMOVED GAUGE 6202	12/08/20	BWB

Report #: **G6290-116-45**
 Date: **5/17/2017**
 Verified by: *[Signature]*

KEY PRODUCT CHARACTERISTICS	
G	DIMENSION 1.230 - 1.270
K	DIMENSION .101 - .121
M	DIMENSION .605 - .645
R	DIMENSION 1.280 - 1.320
U	GAUGE DNA-107
V	GAUGE DNA-304



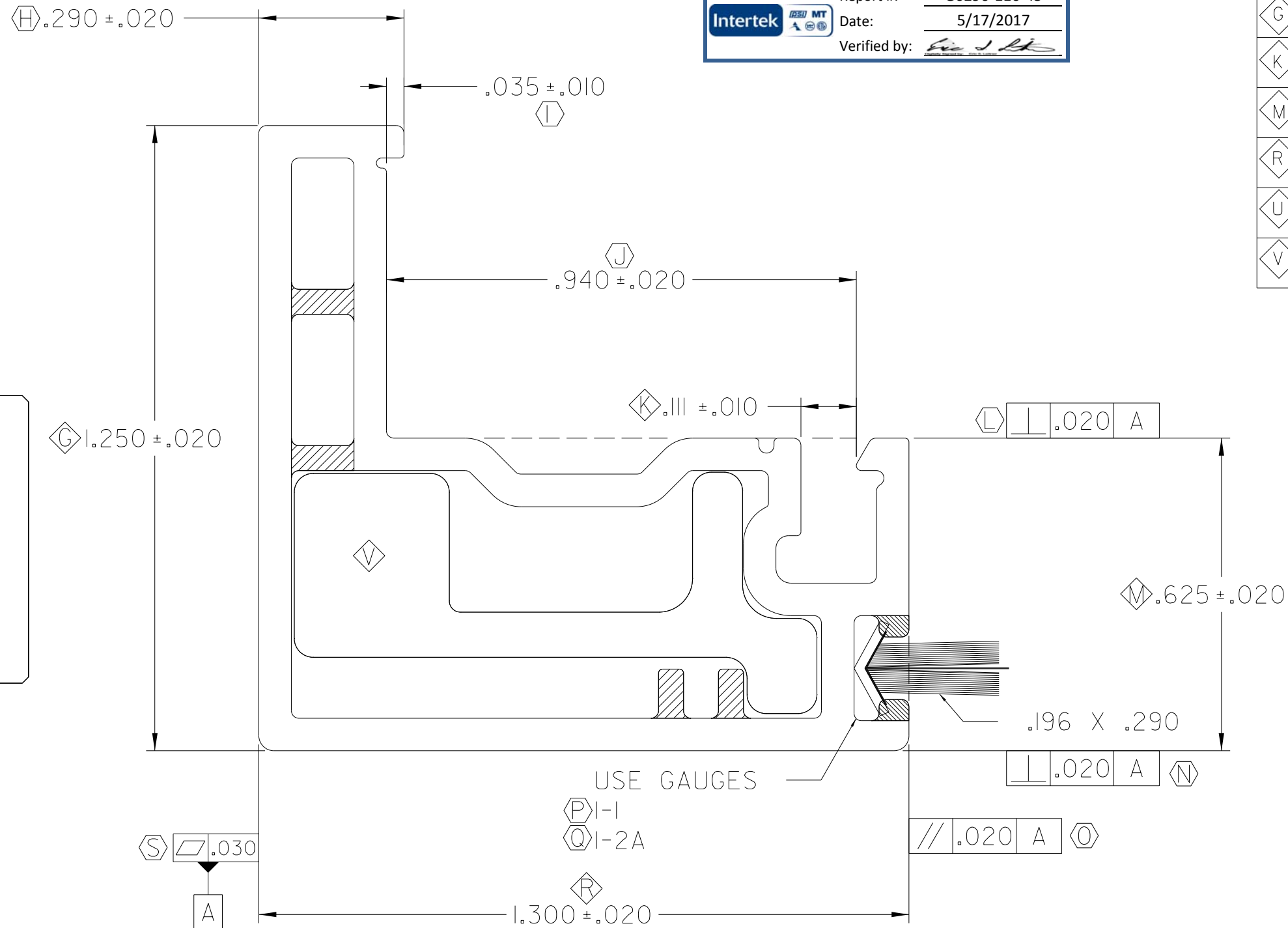
SCALE 1:1



DNA-107

WALL THICKNESS

.065 -	
.050 -	
.060 -	



NOTES:

- 'STD00013' STRAIGHTNESS CLASS C AND LENGTH TOLERANCES APPLY A
- INTERPRET ALL TOLERANCE APPLICATIONS PER STD0013 B
- UNSPECIFIED EXTERNAL RADII = $.XXX +.010 / -.005$ C
- UNSPECIFIED INTERNAL RADII = $.XXX +.020 / -.005$ D
- UNSPECIFIED EXTERNAL WALL THICKNESS = $.XXX \pm 10\%$ E
- UNSPECIFIED INTERNAL WALL THICKNESS = $.XXX \pm 20\%$ F

CONFIDENTIAL

UNPUBLISHED WORK © 2012
 DECEUNINCK NORTH AMERICA

THIS DOCUMENT CONTAINS PROPRIETARY AND CONFIDENTIAL INFORMATION. DO NOT COPY OR DISCLOSE THIS INFORMATION WITHOUT THE EXPRESS WRITTEN CONSENT OF DECEUNINCK NORTH AMERICA. DECEUNINCK NORTH AMERICA RESERVES THE RIGHT TO CHANGE THIS DRAWING AND ANY ASSOCIATED DOCUMENTS.

UNLESS OTHERWISE SPECIFIED
 DIM ARE IN INCHES
 TOL ON ANGLES $\pm 1^\circ$
 2 PL: ± 0.010 3 PL: ± 0.005
 INTERPRET DIM AND TOL PER
 ASME Y14.5M - 1994

THIRD ANGLE PROJECTION



DESIGN BY:	RH
DATE:	94/02/14
DRAWN BY:	TJH
DATE:	02/10/01
AUTH:	DATE:
AUTH:	DATE:
AUTH:	DATE:
FILENAME:	129770

deceuninck
 NORTH AMERICA

351 NORTH GARVER ROAD
 MONROE, OHIO 45050

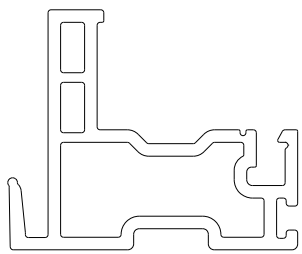
NAME:
 LOCK RAIL

SIZE	DWG. NO:	REV.
B	10008885_SH	M
SCALE:	4:1 (LBS/FT.)	.236
SHEET:	1 OF 1	

11/8/2012

usbwb

\\monsr01\dectech\data\dgn\129770 DGN



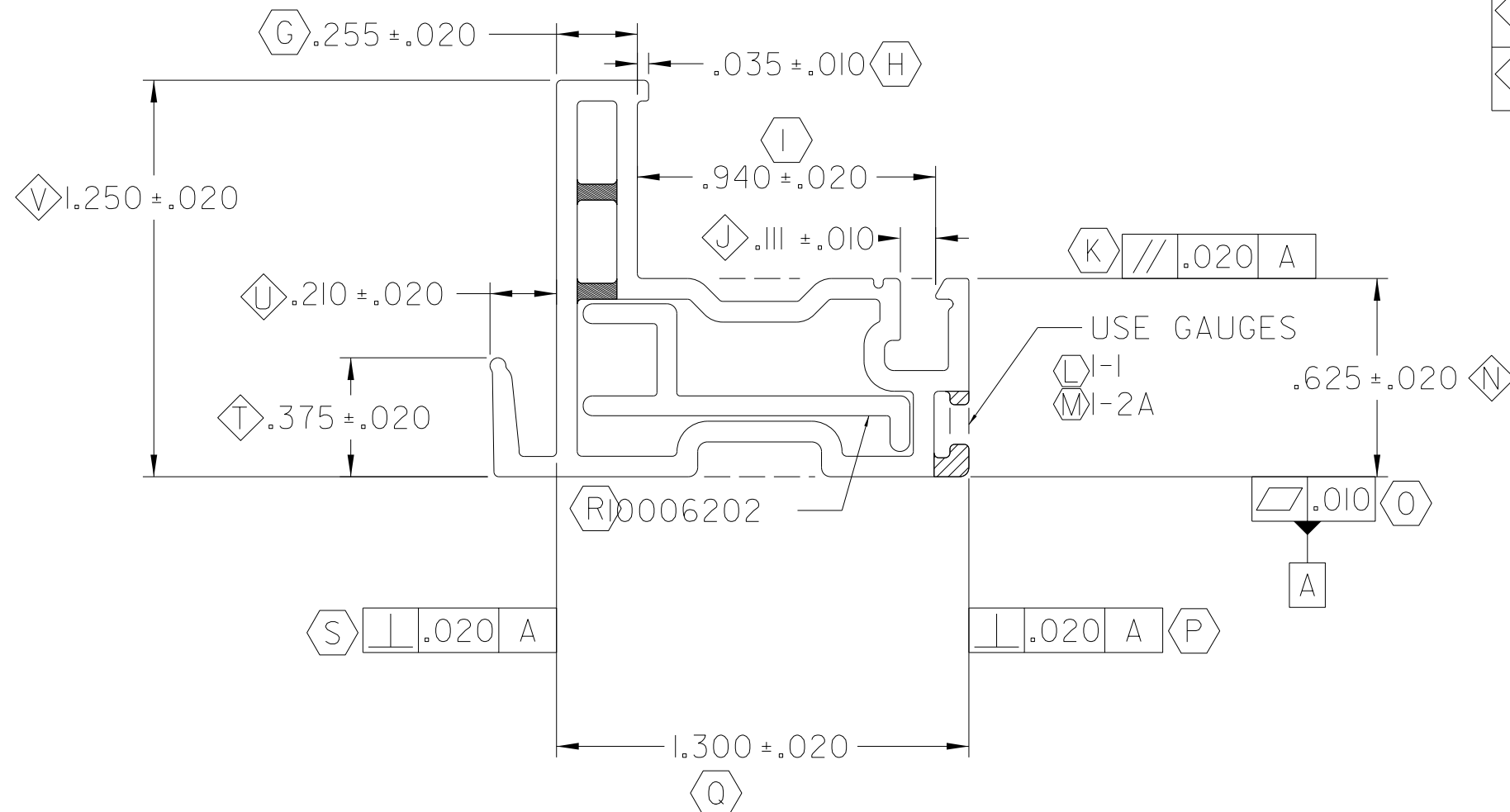
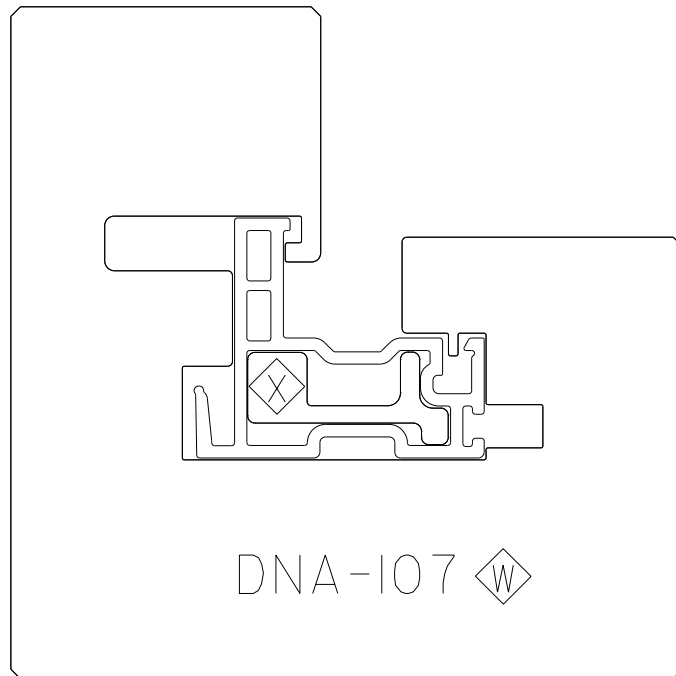
SCALE 1:1

Report #: G6290-116-45
 Date: 5/17/2017
 Verified by: [Signature]

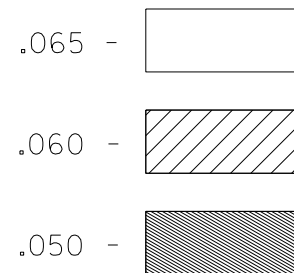
CAD MAINTAINED. CHANGES SHALL BE INCORPORATED BY THE DESIGN ACTIVITY.

REVISION HISTORY			
REV	DESCRIPTION	DATE	APPROVED
R	ADDED GAUGE DNA-304	12/06/11	BWB

KEY PRODUCT CHARACTERISTICS	
J	DIMENSION .101 - .121
N	DIMENSION .605 - .645
T	DIMENSION .355 - .395
U	DIMENSION .190 - .230
V	DIMENSION 1.230 - 1.270
W	GAUGE DNA-107
X	GAUGE DNA-304



WALL THICKNESS



NOTES:

- 'STD00013' STRAIGHTNESS CLASS C AND LENGTH TOLERANCES APPLY (A)
- INTERPRET ALL TOLERANCE APPLICATIONS PER STD0013 (B)
- UNSPECIFIED EXTERNAL RADII = .XXX +.010 / -.005 (C)
- UNSPECIFIED INTERNAL RADII = .XXX +.020 / -.005 (D)
- UNSPECIFIED EXTERNAL WALL THICKNESS = .XXX +/- 10% (E)
- UNSPECIFIED INTERNAL WALL THICKNESS = .XXX +/- 20% (F)

CONFIDENTIAL

UNPUBLISHED WORK © 2012
DECEUNINCK NORTH AMERICA

THIS DOCUMENT CONTAINS PROPRIETARY AND CONFIDENTIAL INFORMATION. DO NOT COPY OR DISCLOSE THIS INFORMATION WITHOUT THE EXPRESS WRITTEN CONSENT OF DECEUNINCK NORTH AMERICA. DECEUNINCK NORTH AMERICA RESERVES THE RIGHT TO CHANGE THIS DRAWING AND ANY ASSOCIATED DOCUMENTS.

UNLESS OTHERWISE SPECIFIED
DIM ARE IN INCHES
TOL ON ANGLES ± 1°
2 PL: ± 0.010* 3 PL: ± 0.005*
INTERPRET DIM AND TOL PER
ASME Y14.5M - 1994

THIRD ANGLE PROJECTION



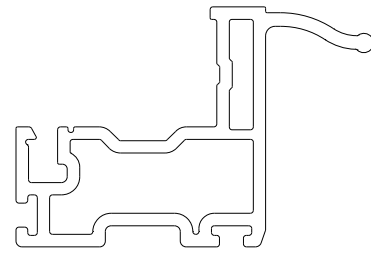
DESIGN BY:	RH
DATE:	94/02/14
DRAWN BY:	CRB
DATE:	94/02/14
AUTH:	DATE:
AUTH:	DATE:
AUTH:	DATE:
FILENAME:	126506

351 NORTH GARVER ROAD
 MONROE, OHIO 45050

NAME: **KEEPER SASH**

SIZE	DWG. NO:	REV.
B	10008890_SH	R
SCALE:	2:1 (LBS/FT.)	SHEET:
	.257	1 OF 1

6/11/2012
usbwb
\\monsr01\deceun\DATA\DGN\126506.DGN



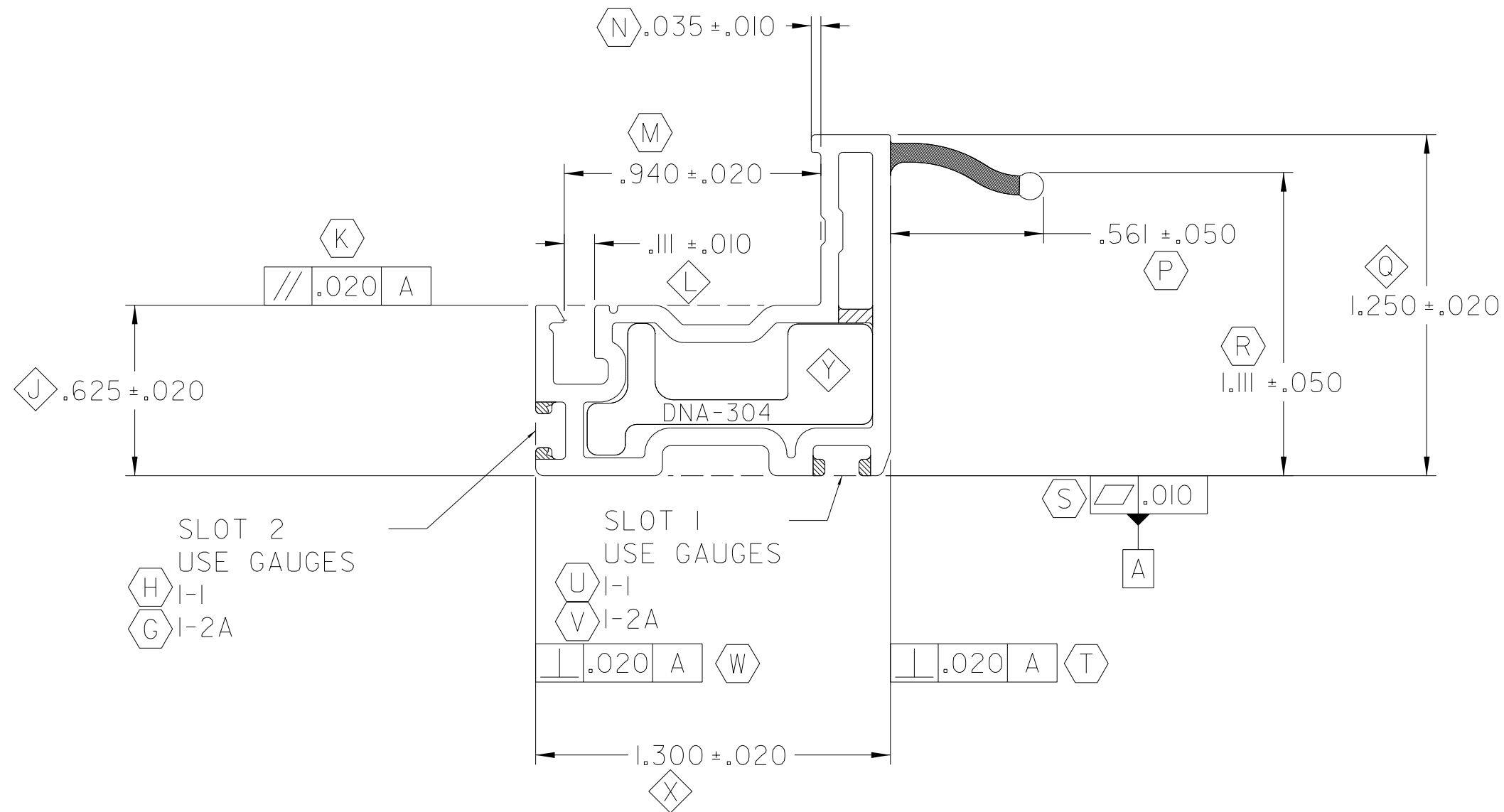
SCALE 1:1

Intertek QSD MT
 Report #: **G6290-116-45**
 Date: **5/17/2017**
 Verified by: *[Signature]*

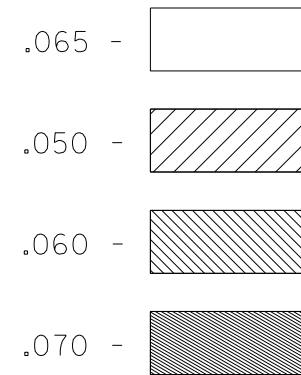
CAD MAINTAINED. CHANGES SHALL BE INCORPORATED BY THE DESIGN ACTIVITY.

REVISION HISTORY			
REV	DESCRIPTION	DATE	APPROVED
J	REMOVED GAUGE 6202	12/08/27	BWB

KEY PRODUCT CHARACTERISTICS	
◇ J	DIMENSION .605 - .645
◇ L	DIMENSION .101 - .121
◇ Q	DIMENSION 1.230 - 1.270
◇ X	DIMENSION 1.280 - 1.320
◇ Y	GAUGE DNA-304



WALL THICKNESS

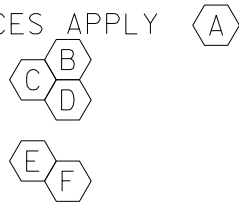


SLOT 2
 USE GAUGES
 ◇ H I-1
 ◇ G I-2A

SLOT 1
 USE GAUGES
 ◇ U I-1
 ◇ V I-2A
 ◇ W
 ◇ T

NOTES:

- 'STD00013' STRAIGHTNESS CLASS C AND LENGTH TOLERANCES APPLY
- INTERPRET ALL TOLERANCE APPLICATIONS PER STD0013
- UNSPECIFIED EXTERNAL RADII = .XXX +.010 / -.005
- UNSPECIFIED INTERNAL RADII = .XXX +.020 / -.005
- UNSPECIFIED EXTERNAL WALL THICKNESS = .XXX +/- 10%
- UNSPECIFIED INTERNAL WALL THICKNESS = .XXX +/- 20%



CONFIDENTIAL

UNPUBLISHED WORK © 2012 DECEUNINCK NORTH AMERICA

THIS DOCUMENT CONTAINS PROPRIETARY AND CONFIDENTIAL INFORMATION. DO NOT COPY OR DISCLOSE THIS INFORMATION WITHOUT THE EXPRESS WRITTEN CONSENT OF DECEUNINCK NORTH AMERICA. DECEUNINCK NORTH AMERICA RESERVES THE RIGHT TO CHANGE THIS DRAWING AND ANY ASSOCIATED DOCUMENTS.

UNLESS OTHERWISE SPECIFIED
 DIM ARE IN INCHES
 TOL ON ANGLES ± 1°
 2 PL: ± 0.010* 3 PL: ± 0.005*
 INTERPRET DIM AND TOL PER
 ASME Y14.5M - 1994

THIRD ANGLE PROJECTION



DESIGN BY:	RH / PJA
DATE:	99/02/10
DRAWN BY:	RH / PJA
DATE:	99/02/10
AUTH:	DATE:
AUTH:	DATE:
AUTH:	DATE:
FILENAME:	126554



351 NORTH GARVER ROAD
MONROE, OHIO 45050

PULL / LIFT SASH

SIZE	DWG. NO:	REV.
B	10008894_SH	J
SCALE:	2:1 (LBS/FT.)	SHEET:
	.267	1 OF 1

8/24/2012
usbwb
\\monsr01\dectech\DATA\DGN\130148.DGN

REVISION HISTORY			
REV	DESCRIPTION	DATE	APPROVED
A	DIM 'T' WAS .010	15/11/12	SMW

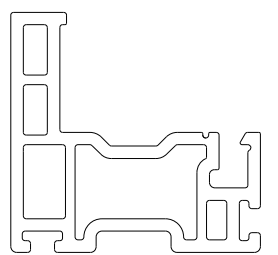
\$PLTDATE\$

CAD MAINTAINED. CHANGES SHALL BE INCORPORATED BY THE DESIGN ACTIVITY.

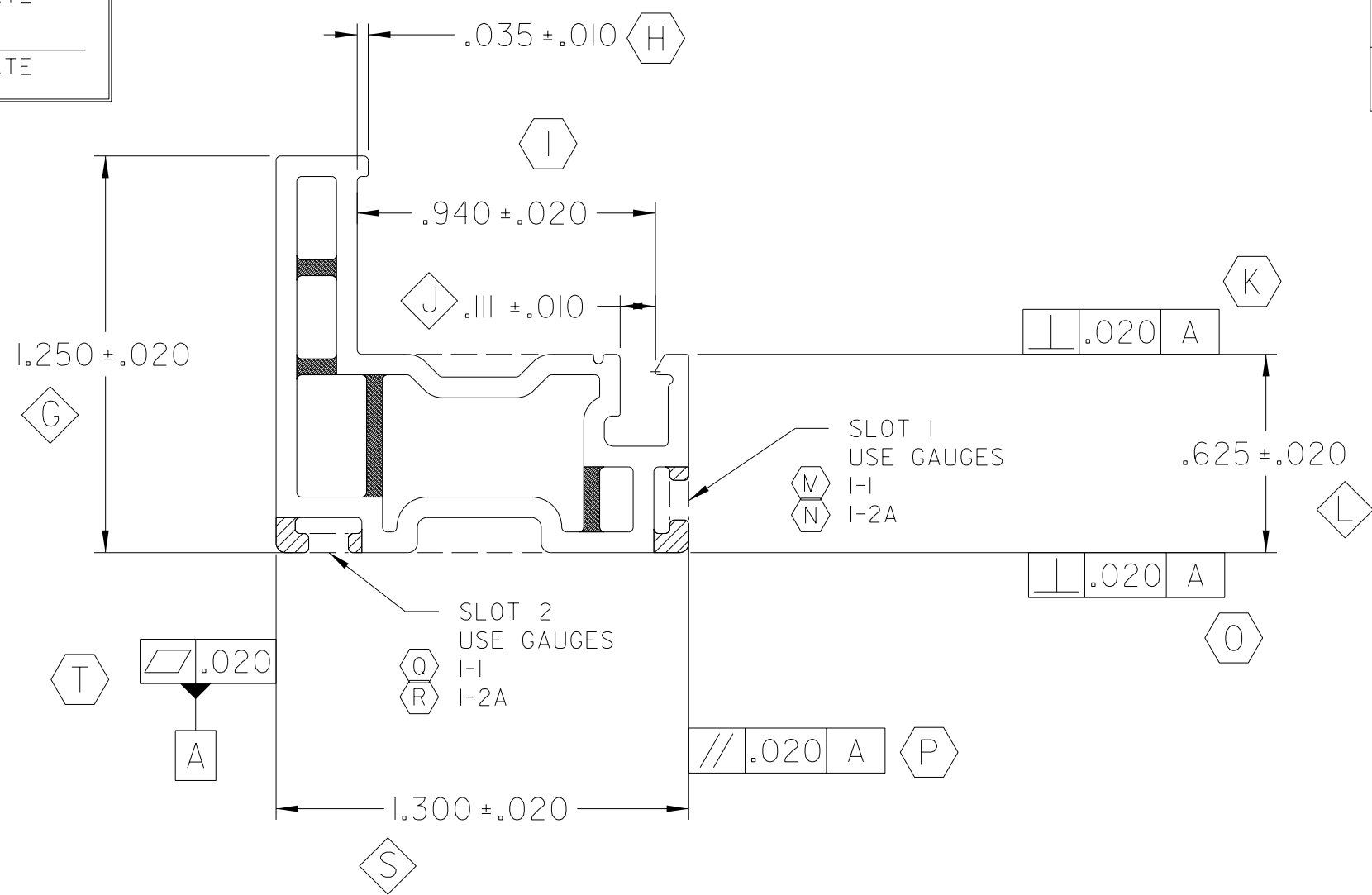
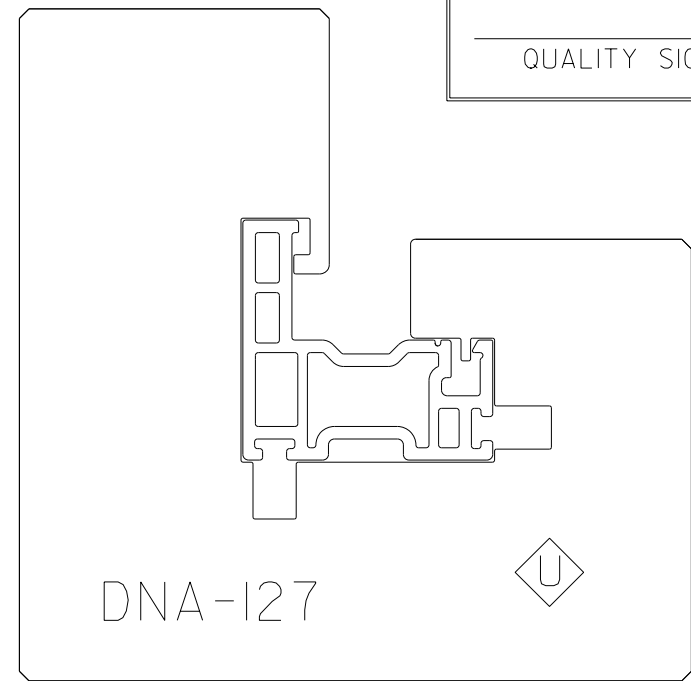
Report #: **G6290-116-45**
 Date: **5/17/2017**
 Verified by: *[Signature]*

APPROVAL PRINT

PRODUCT ENG. SIGNATURE	DATE
TOOLING SIGNATURE	DATE
PRODUCTION SIGNATURE	DATE
QUALITY SIGNATURE	DATE



KEY PRODUCT CHARACTERISTICS	
G	DIMENSION 1.230 - 1.270
J	DIMENSION .101 - .121
L	DIMENSION .605 - .645
S	DIMENSION 1.280 - 1.320
U	GAUGE DNA-127



.065	
.060	
.050	

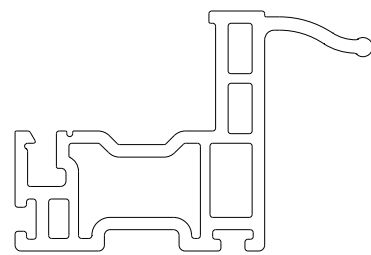
NOTES:

- 'STD00013' STRAIGHTNESS CLASS C AND LENGTH TOLERANCES APPLY (A)
- INTERPRET ALL TOLERANCE APPLICATIONS PER STD0013 (B)
- UNSPECIFIED EXTERNAL RADII = .XXX +.010 / -.005 (C)
- UNSPECIFIED INTERNAL RADII = .XXX +.020 / -.005 (D)
- UNSPECIFIED EXTERNAL WALL THICKNESS = .XXX +/- 10% (E)
- UNSPECIFIED INTERNAL WALL THICKNESS = .XXX +/- 20% (F)

CONFIDENTIAL UNPUBLISHED WORK © 2015 DECEUNINCK NORTH AMERICA	UNLESS OTHERWISE SPECIFIED DIM ARE IN INCHES TOL ON ANGLES ± 1° 2 PL: ± 0.010" 3 PL: ± 0.005" INTERPRET DIM AND TOL PER ASME Y14.5M - 1994	DESIGN BY: SMW DATE: 15/03/20 DRAWN BY: SMW DATE: 15/11/12 AUTH: DATE: AUTH: DATE: AUTH: DATE: FILENAME: 172277	deceuninck Deceuninck North America 351 N. Garver Road Monroe, OH 45050
	THIRD ANGLE PROJECTION 	NAME: MAIN SASH	SIZE DWG. NO: 10008865_SH SCALE: 4 : 1 (LBS/FT.) .265 SHEET: 1 OF 1

\$USER\$

\$FILE\$



SCALE 1:1

APPROVAL PRINT

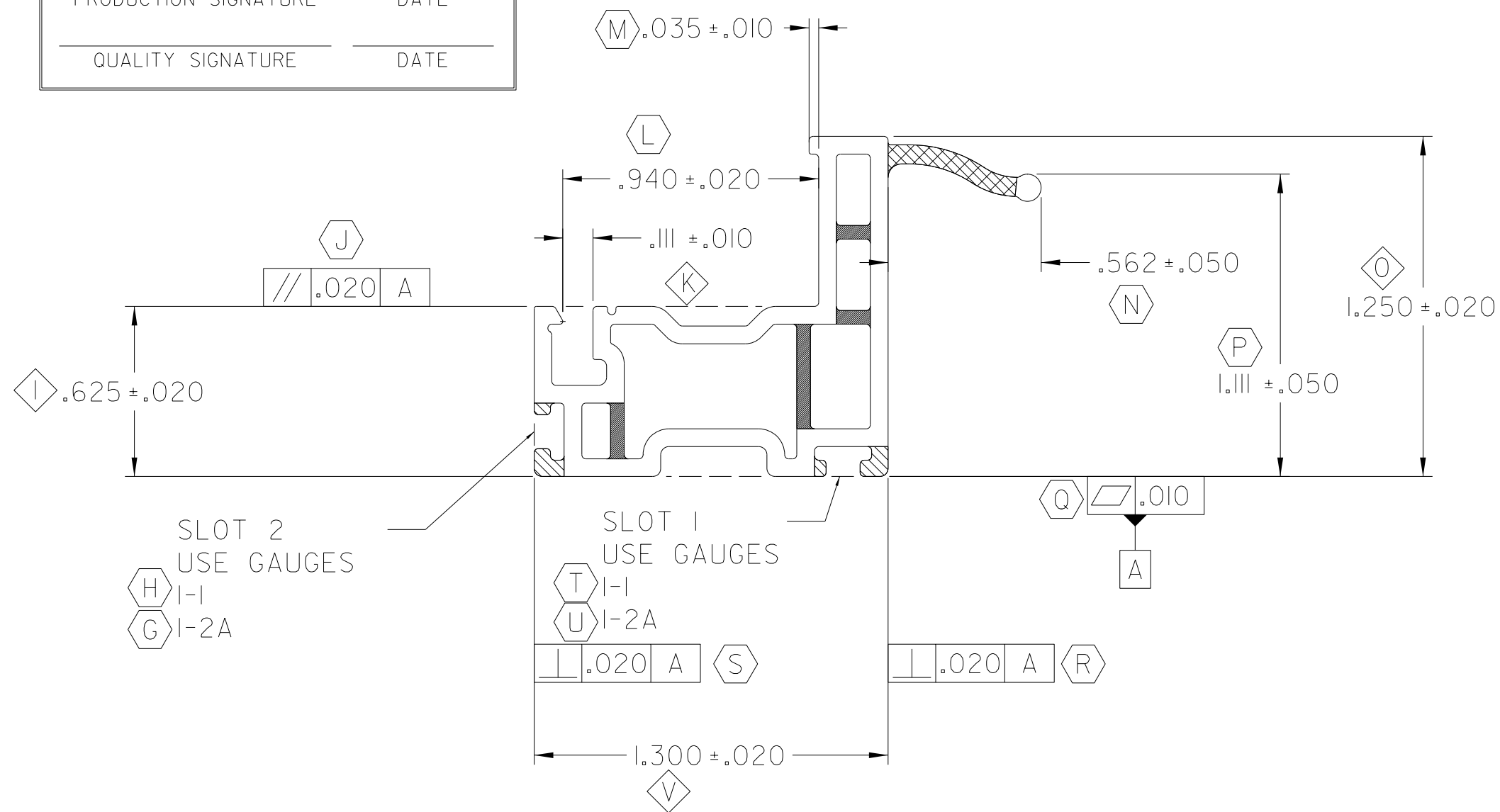
PRODUCT ENG. SIGNATURE	DATE
TOOLING SIGNATURE	DATE
PRODUCTION SIGNATURE	DATE
QUALITY SIGNATURE	DATE

CAD MAINTAINED. CHANGES SHALL BE INCORPORATED BY THE DESIGN ACTIVITY.

Report #: **G6290-116-45**
 Date: **5/17/2017**
 Verified by: *[Signature]*

REVISION HISTORY			
REV	DESCRIPTION	DATE	APPROVED

KEY PRODUCT CHARACTERISTICS	
I	DIMENSION .605 - .645
K	DIMENSION .101 - .121
O	DIMENSION 1.230 - 1.270
V	DIMENSION 1.280 - 1.320



WALL THICKNESS

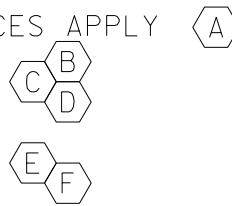
.065 -	
.050 -	
.060 -	
.070 -	

SLOT 2
 USE GAUGES
 H I-1
 G I-2A

SLOT 1
 USE GAUGES
 T I-1
 U I-2A
 L .020 A S
 R

NOTES:

- 'STD00013' STRAIGHTNESS CLASS C AND LENGTH TOLERANCES APPLY
- INTERPRET ALL TOLERANCE APPLICATIONS PER STD0013
- UNSPECIFIED EXTERNAL RADII = .XXX +.010 / -.005
- UNSPECIFIED INTERNAL RADII = .XXX +.020 / -.005
- UNSPECIFIED EXTERNAL WALL THICKNESS = .XXX +/- 10%
- UNSPECIFIED INTERNAL WALL THICKNESS = .XXX +/- 20%



CONFIDENTIAL

UNPUBLISHED WORK © 2015 DECEUNINCK NORTH AMERICA

THIS DOCUMENT CONTAINS PROPRIETARY AND CONFIDENTIAL INFORMATION. DO NOT COPY OR DISCLOSE THIS INFORMATION WITHOUT THE EXPRESS WRITTEN CONSENT OF DECEUNINCK NORTH AMERICA. DECEUNINCK NORTH AMERICA RESERVES THE RIGHT TO CHANGE THIS DRAWING AND ANY ASSOCIATED DOCUMENTS.

UNLESS OTHERWISE SPECIFIED DIM ARE IN INCHES
 TOL ON ANGLES ± 1°
 2 PL: ± 0.010" 3 PL: ± 0.005"
 INTERPRET DIM AND TOL PER ASME Y14.5M - 1994

THIRD ANGLE PROJECTION



DESIGN BY:	SMW
DATE:	15/03/20
DRAWN BY:	SMW
DATE:	15/03/20
AUTH:	DATE:
AUTH:	DATE:
AUTH:	DATE:
FILENAME:	163332



351 NORTH GARVER ROAD
MONROE, OHIO 45050

NAME: PULL / LIFT SASH

SIZE	DWG. NO:	REV.
B	10008866_SH	NEW
SCALE:	2:1 (LBS/FT.)	SHEET: 1 OF 1

\$USERS\$

\$USERS\$

\$FILEL\$



SCALE 1:1

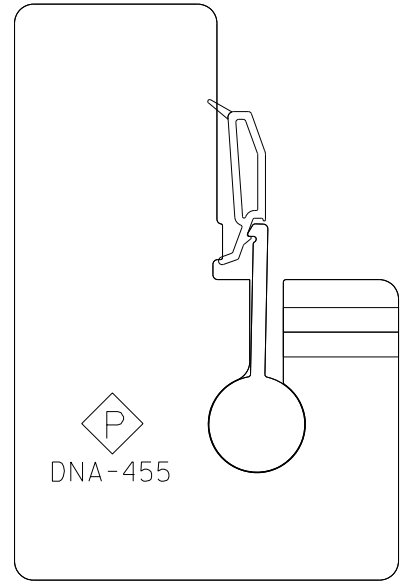
Report #: **G6290-116-45**
 Date: **5/17/2017**
 Verified by: *[Signature]*

CAD MAINTAINED. CHANGES SHALL BE INCORPORATED BY THE DESIGN ACTIVITY.

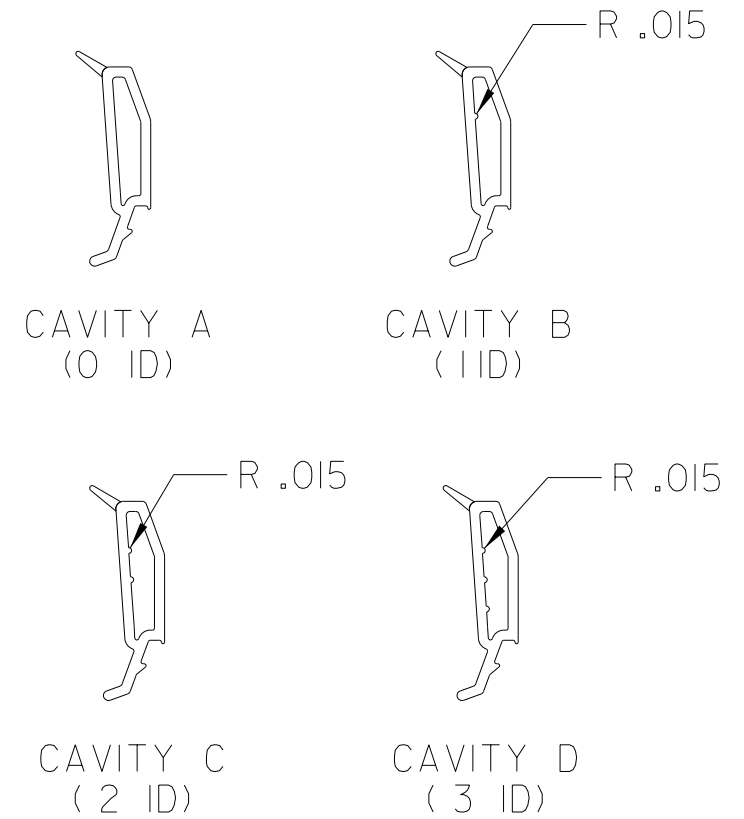
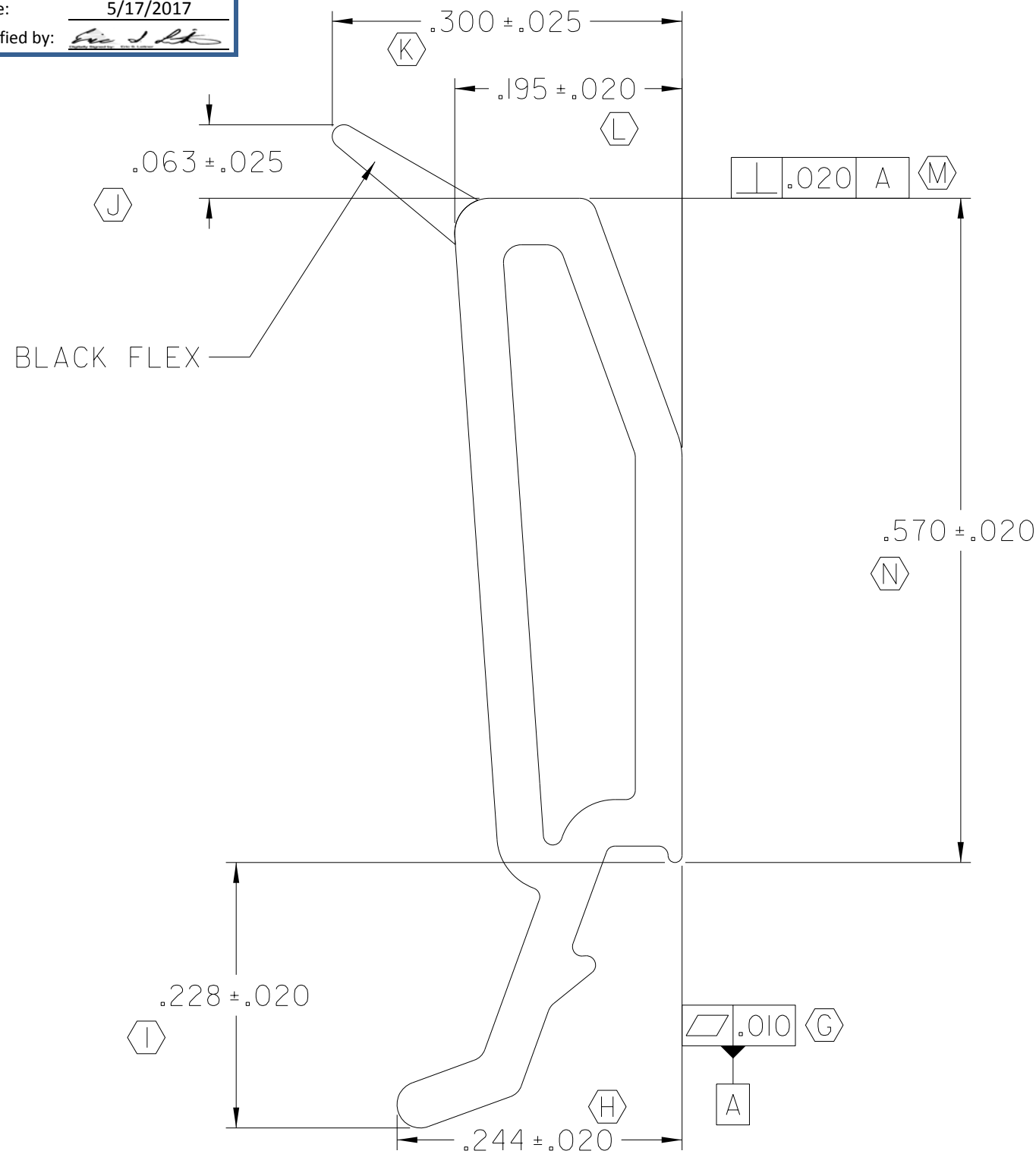
REVISION HISTORY			
REV	DESCRIPTION	DATE	APPROVED
A	ADDED GAUGE DNA-455 ADDED ID MARKS	15/6/10	SMW
B	UPDATED DNA-455 GAUGE	15/7/27	SMW

\$PLOTDATE\$

\$FILE\$



PART MUST SNAP IN AND NOT SLIDE IN GAUGE



WALL THICKNESS

.040 -

NOTES:

- 'STD00013' STRAIGHTNESS CLASS E AND LENGTH TOLERANCES APPLY (A)
- INTERPRET ALL TOLERANCE APPLICATIONS PER STD0013 (B)
- UNSPECIFIED EXTERNAL RADII = .XXX +.010 / -.005 (C)
- UNSPECIFIED INTERNAL RADII = .XXX +.020 / -.005 (D)
- UNSPECIFIED EXTERNAL WALL THICKNESS = .XXX +/- 10% (E)
- UNSPECIFIED INTERNAL WALL THICKNESS = .XXX +/- 20% (F)

CONFIDENTIAL

UNPUBLISHED WORK © 2015 DECEUNINCK NORTH AMERICA

THIS DOCUMENT CONTAINS PROPRIETARY AND CONFIDENTIAL INFORMATION. DO NOT COPY OR DISCLOSE THIS INFORMATION WITHOUT THE EXPRESS WRITTEN CONSENT OF DECEUNINCK NORTH AMERICA. DECEUNINCK NORTH AMERICA RESERVES THE RIGHT TO CHANGE THIS DRAWING AND ANY ASSOCIATED DOCUMENTS.

UNLESS OTHERWISE SPECIFIED DIM ARE IN INCHES
TOL ON ANGLES ± 1°
2 PL: ± 0.010" 3 PL: ± 0.005"
INTERPRET DIM AND TOL PER ASME Y14.5M - 1994

THIRD ANGLE PROJECTION



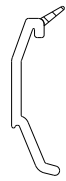
DESIGN BY:	SMW
DATE:	15/3/30
DRAWN BY:	SMW
DATE:	15/7/27
AUTH:	DATE:
AUTH:	DATE:
AUTH:	DATE:
FILENAME:	168742

deceuninck Deceuninck North America
351 N. Garver Road Monroe, OH 45050

NAME: **GLAZING BEAD**

SIZE DWG. NO:	10008134_SH	REV. B
SCALE:	8 : 1 (LBS/FT.) .0421	SHEET: 1 OF 1

USE MYLAR 10008134_OP

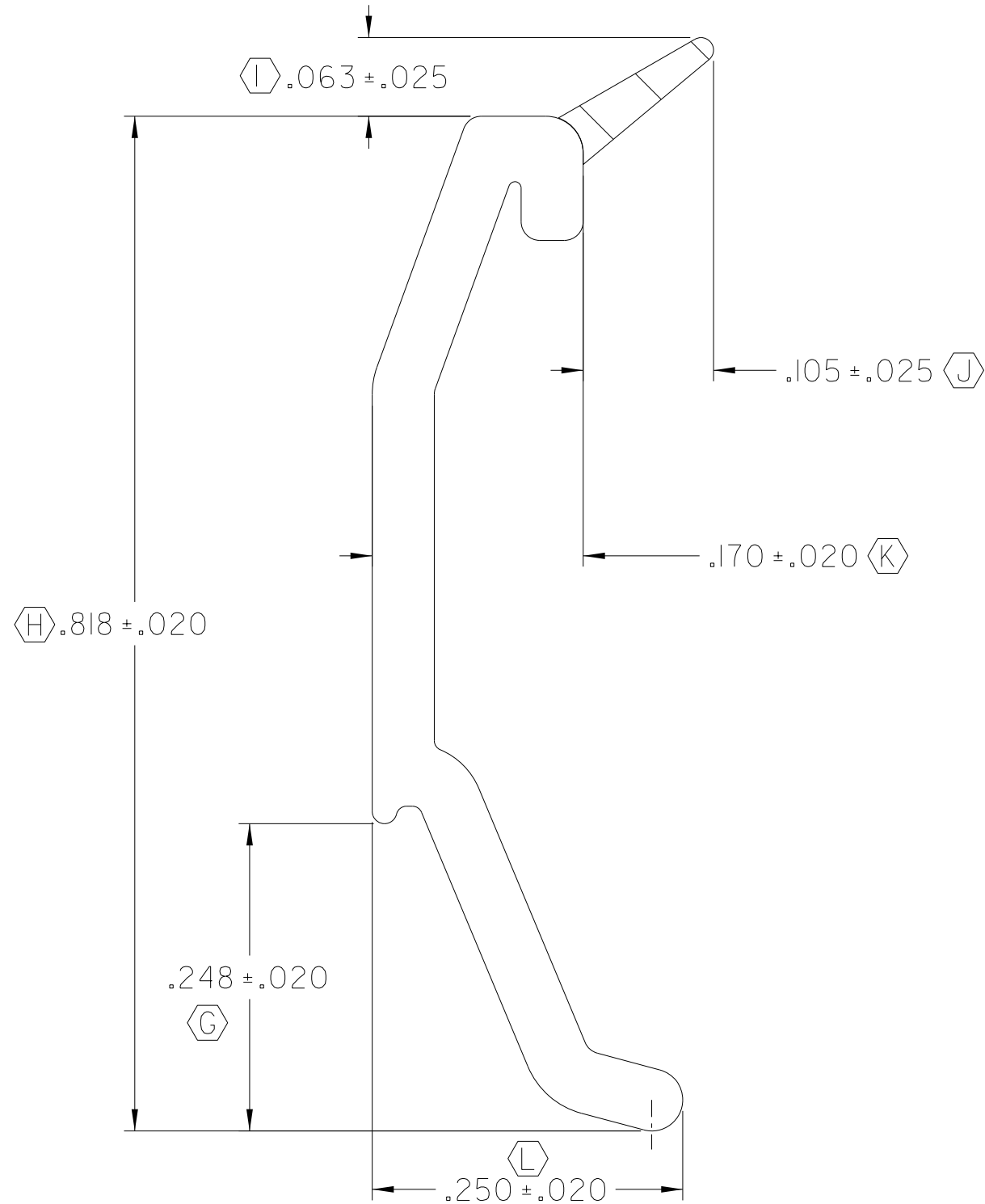


SCALE 1:1

Report #: G6290-116-45
 Date: 5/17/2017
 Verified by: *[Signature]*

CAD MAINTAINED. CHANGES SHALL BE INCORPORATED BY THE DESIGN ACTIVITY.

REVISION HISTORY			
REV	DESCRIPTION	DATE	APPROVED
E	UPDATED TO CURRENT STNDS	11/01/06	BWB



WALL THICKNESS

.050 -

USE MYLAR 10005473-D

NOTES:

- 'STD00013' STRAIGHTNESS CLASS E AND LENGTH TOLERANCES APPLY (A)
- INTERPRET ALL TOLERANCE APPLICATIONS PER STD0013 (B)
- UNSPECIFIED EXTERNAL RADII = .XXX +.010 / -.005 (C)
- UNSPECIFIED INTERNAL RADII = .XXX +.020 / -.005 (D)
- UNSPECIFIED EXTERNAL WALL THICKNESS = .XXX +/- 10% (E)
- UNSPECIFIED INTERNAL WALL THICKNESS = .XXX +/- 20% (F)

CONFIDENTIAL

UNPUBLISHED WORK © 2011 DECEUNINCK NORTH AMERICA

THIS DOCUMENT CONTAINS PROPRIETARY AND CONFIDENTIAL INFORMATION. DO NOT COPY OR DISCLOSE THIS INFORMATION WITHOUT THE EXPRESS WRITTEN CONSENT OF DECEUNINCK NORTH AMERICA. DECEUNINCK NORTH AMERICA RESERVES THE RIGHT TO CHANGE THIS DRAWING AND ANY ASSOCIATED DOCUMENTS.

UNLESS OTHERWISE SPECIFIED DIM ARE IN INCHES TOL ON ANGLES ± 1° 2 PL: ± 0.010° 3 PL: ± 0.005° INTERPRET DIM AND TOL PER ASME Y14.5M - 1994

THIRD ANGLE PROJECTION



DESIGN BY:	PJA
DATE:	99/06/25
DRAWN BY:	PJA
DATE:	99/06/25
AUTH:	DATE:
AUTH:	DATE:
AUTH:	DATE:
FILENAME:	106609

deceuninck 351 NORTH GARVER ROAD
NORTH AMERICA MONROE, OHIO 45050

NAME: GLAZING BEAD

SIZE	DWG. NO:	REV.
B	10005473_SH	E
SCALE:	8 : 1 (LBS/FT.)	SHEET:
	.034	1 OF 1

10/28/2011
usbwb
\\monsr01\dectech\data\dgn\106609.DGN

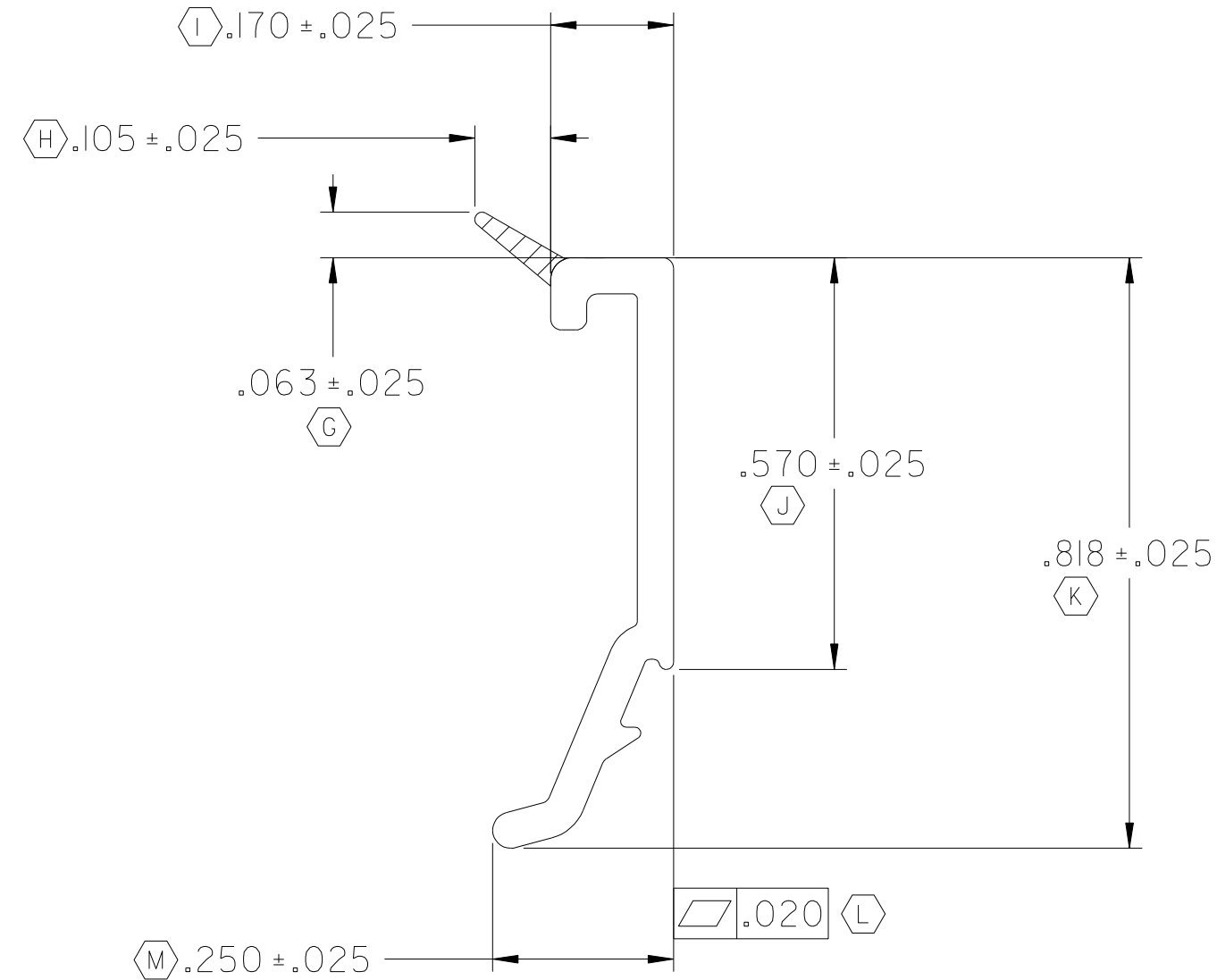


SCALE 1:1

Report #: **G6290-116-45**
 Date: **5/17/2017**
 Verified by: *[Signature]*

CAD MAINTAINED. CHANGES SHALL BE INCORPORATED BY THE DESIGN ACTIVITY.

REVISION HISTORY			
REV	DESCRIPTION	DATE	APPROVED
R	GD&T 3 UPDATE	08/04/16	KED



WALL THICKNESS

.050 -

NOTES:

- 'STD00013' STRAIGHTNESS CLASS E AND LENGTH TOLERANCES APPLY (A)
- INTERPRET ALL TOLERANCE APPLICATIONS PER STD0013 (B)
- UNSPECIFIED EXTERNAL RADII = .XXX +.010 / -.005 (C)
- UNSPECIFIED INTERNAL RADII = .XXX +.020 / -.005 (D)
- UNSPECIFIED EXTERNAL WALL THICKNESS = .XXX +/- 10% (E)
- UNSPECIFIED INTERNAL WALL THICKNESS = .XXX +/- 20% (F)

CONFIDENTIAL UNPUBLISHED WORK © 2008 DECEUNINCK NORTH AMERICA	UNLESS OTHERWISE SPECIFIED DIM ARE IN INCHES TOL ON ANGLES ± 1° 2 PL: ± 0.010" 3 PL: ± 0.005" INTERPRET DIM AND TOL PER ASME Y14.5M - 1994	DESIGN BY: ASD,PGM DATE: 90/10/19 DRAWN BY: CRB DATE: 02/11/22 AUTH: DATE: AUTH: DATE: AUTH: DATE: FILENAME: 69488	 351 NORTH GARVER ROAD MONROE, OHIO 45050 NAME: GLAZING BEAD SIZE DWG. NO: 10008127_SH SCALE: 4:1 (LBS/FT.) .036 SHEET: 1 OF 1
	THIS DOCUMENT CONTAINS PROPRIETARY AND CONFIDENTIAL INFORMATION. DO NOT COPY OR DISCLOSE THIS INFORMATION WITHOUT THE EXPRESS WRITTEN CONSENT OF DECEUNINCK NORTH AMERICA. DECEUNINCK NORTH AMERICA RESERVES THE RIGHT TO CHANGE THIS DRAWING AND ANY ASSOCIATED DOCUMENTS.	THIRD ANGLE PROJECTION	

\$PL0T\$

\$USERS\$

\$FILEL\$



SCALE 1:1



Report #: G6290-116-45
Date: 5/17/2017
Verified by: *[Signature]*

CAD MAINTAINED. CHANGES SHALL BE INCORPORATED BY THE DESIGN ACTIVITY.

REVISION HISTORY			
REV	DESCRIPTION	DATE	APPROVED
W	ADDED MYLAR	10/04/23	BWB

\$PLOTDATE\$

\$USER\$

\$FILE\$

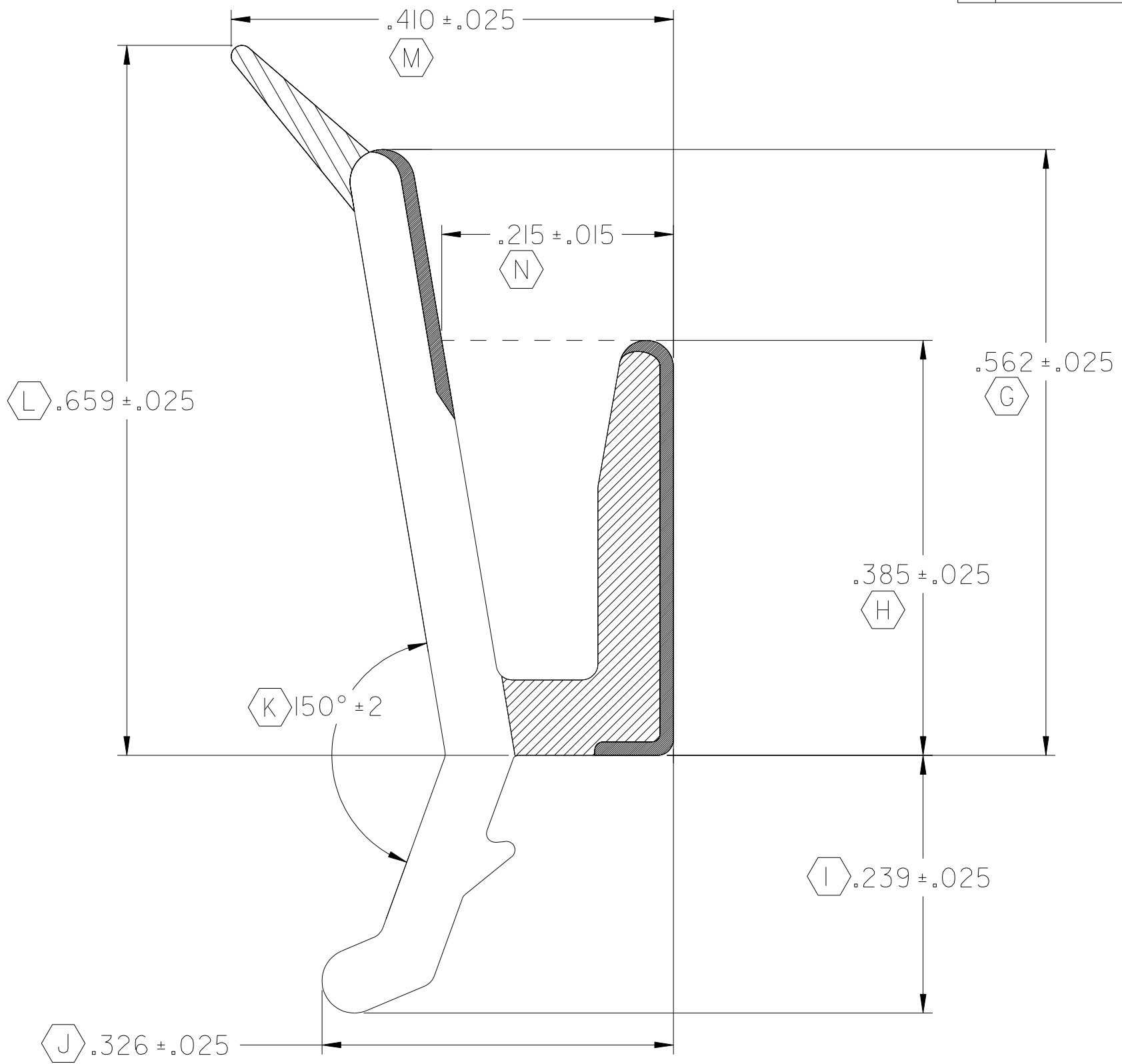
WALL THICKNESS

[White box] = .060

[Hatched box] = .070

[Dark hatched box] = CAPSTOCK

USE MYLAR I000555I.OP REV W



NOTES:

- 'STD00013' STRAIGHTNESS CLASS E AND LENGTH TOLERANCES APPLY (A)
- INTERPRET ALL TOLERANCE APPLICATIONS PER STD0013 (B)
- UNSPECIFIED EXTERNAL RADII = .XXX +.010 / -.005 (C)
- UNSPECIFIED INTERNAL RADII = .XXX +.020 / -.005 (D)
- UNSPECIFIED EXTERNAL WALL THICKNESS = .XXX +/- 10% (E)
- UNSPECIFIED INTERNAL WALL THICKNESS = .XXX +/- 20% (F)

CONFIDENTIAL
 UNPUBLISHED WORK © 2010
 DECEUNINCK NORTH AMERICA

THIS DOCUMENT CONTAINS PROPRIETARY AND CONFIDENTIAL INFORMATION. DO NOT COPY OR DISCLOSE THIS INFORMATION WITHOUT THE EXPRESS WRITTEN CONSENT OF DECEUNINCK NORTH AMERICA. DECEUNINCK NORTH AMERICA RESERVES THE RIGHT TO CHANGE THIS DRAWING AND ANY ASSOCIATED DOCUMENTS.

UNLESS OTHERWISE SPECIFIED
 DIM ARE IN INCHES
 TOL ON ANGLES ± 1°
 2 PL: ± 0.010" 3 PL: ± 0.005"
 INTERPRET DIM AND TOL PER
 ASME Y14.5M - 1994

THIRD ANGLE PROJECTION

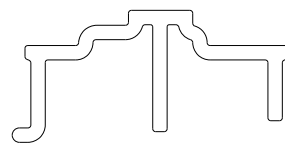
DESIGN BY:	MAB
DATE:	88/10/11
DRAWN BY:	MAB
DATE:	88/10/11
AUTH:	DATE:
AUTH:	DATE:
AUTH:	DATE:
FILENAME:	72811

deceuninck **NORTH AMERICA**
 351 NORTH GARVER ROAD
 MONROE, OHIO 45050

NAME: INTERLOCK GLAZBEAD

SIZE DWG. NO: B I000555I.SH REV. W

SCALE: 8 : 1 (LBS/FT.) .056 SHEET: 1 OF 1



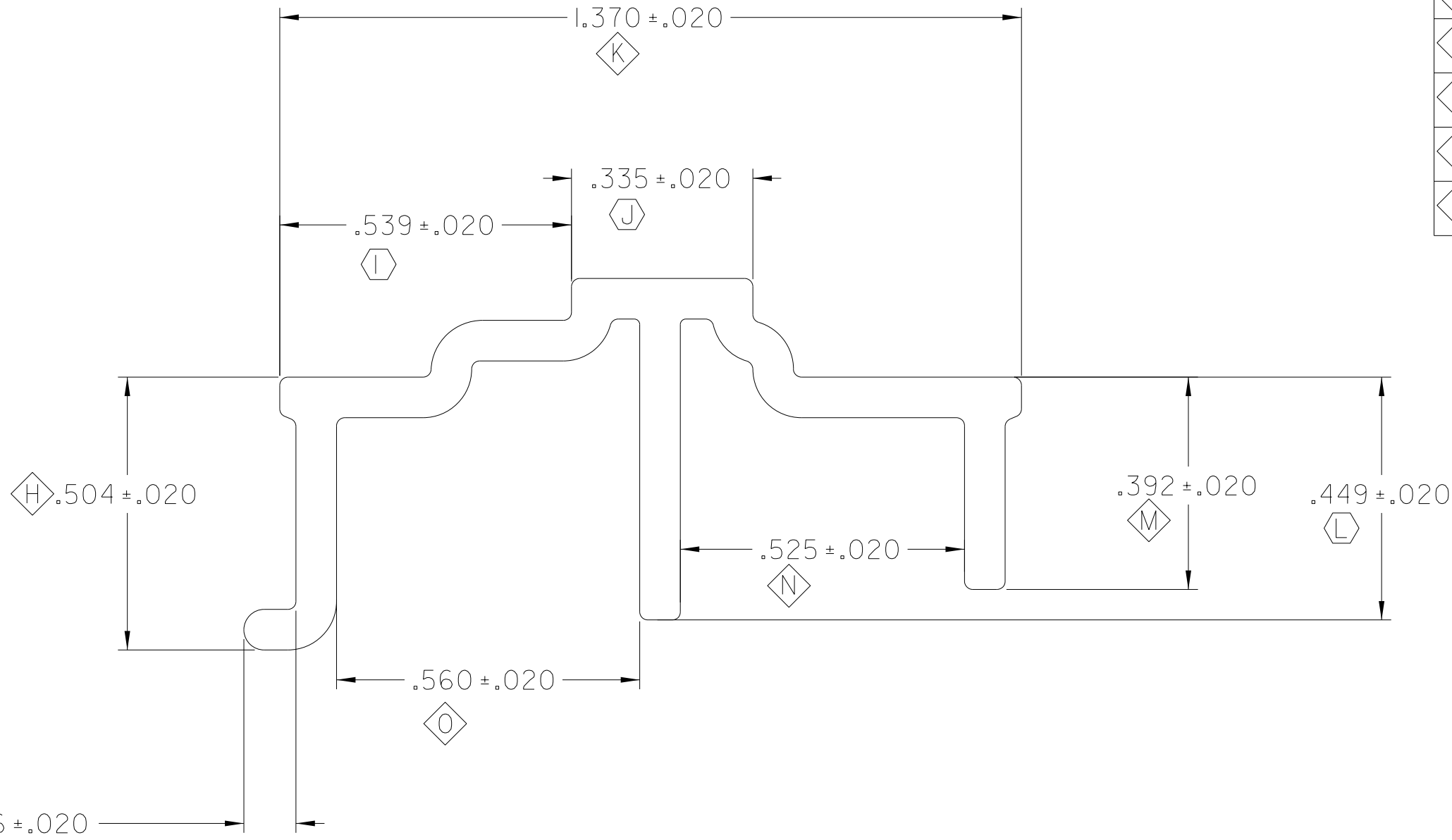
SCALE 1:1


 Report #: **G6290-116-45**
 Date: **5/17/2017**
 Verified by: *[Signature]*

CAD MAINTAINED. CHANGES SHALL BE INCORPORATED BY THE DESIGN ACTIVITY.

REVISION HISTORY			
REV	DESCRIPTION	DATE	APPROVED
G	KPC	10/08/25	BWB

KEY PRODUCT CHARACTERISTICS	
H	DIMENSION .484 - .524
K	DIMENSION 1.350 - 1.390
M	DIMENSION .372 - .412
N	DIMENSION .505 - .545
O	DIMENSION .540 - .580



WALL THICKNESS

.070 -

NOTES:

- 'STD00013' STRAIGHTNESS CLASS C AND LENGTH TOLERANCES APPLY **(A)**
- INTERPRET ALL TOLERANCE APPLICATIONS PER STD0013 **(B)**
- UNSPECIFIED EXTERNAL RADII = .XXX +.010 / -.005 **(C)**
- UNSPECIFIED INTERNAL RADII = .XXX +.020 / -.005 **(D)**
- UNSPECIFIED EXTERNAL WALL THICKNESS = .XXX +/- 10% **(E)**
- UNSPECIFIED INTERNAL WALL THICKNESS = .XXX +/- 20% **(F)**

CONFIDENTIAL

UNPUBLISHED WORK © 2010
DECEUNINCK NORTH AMERICA

THIS DOCUMENT CONTAINS PROPRIETARY AND CONFIDENTIAL INFORMATION. DO NOT COPY OR DISCLOSE THIS INFORMATION WITHOUT THE EXPRESS WRITTEN CONSENT OF DECEUNINCK NORTH AMERICA. DECEUNINCK NORTH AMERICA RESERVES THE RIGHT TO CHANGE THIS DRAWING AND ANY ASSOCIATED DOCUMENTS.

UNLESS OTHERWISE SPECIFIED
DIM ARE IN INCHES
TOL ON ANGLES ± 1°
2 PL: ± 0.010" 3 PL: ± 0.005"
INTERPRET DIM AND TOL PER
ASME Y14.5M - 1994

THIRD ANGLE PROJECTION



DESIGN BY:	CRB
DATE:	04/03/31
DRAWN BY:	CRB
DATE:	05/08/18
AUTH:	DATE:
AUTH:	DATE:
AUTH:	DATE:
FILENAME:	102731



351 NORTH GARVER ROAD
MONROE, OHIO 45050

NAME:
SLIDER TRACK INSERT

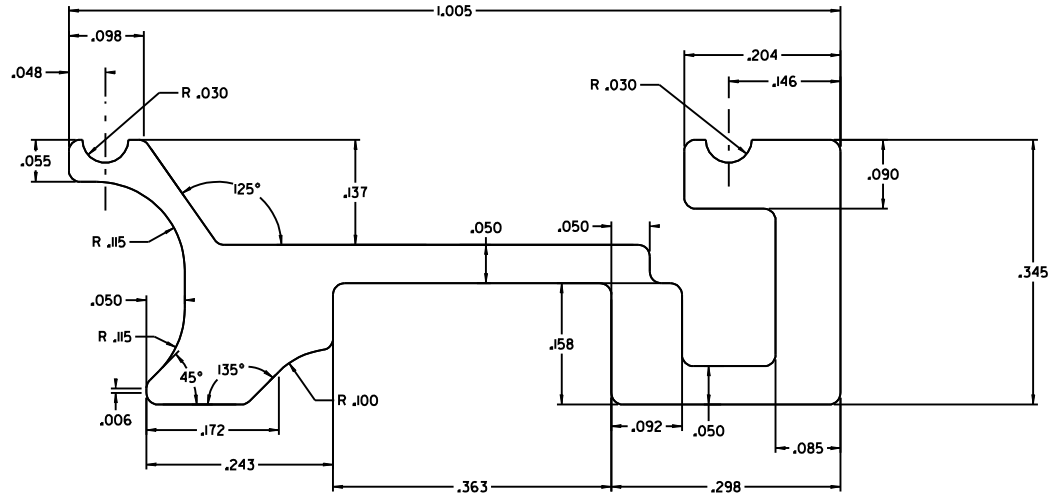
SIZE	DWG. NO:	REV.
B	10008466_SH	G
SCALE:	(LBS/FT.)	SHEET:
4 : 1	.142	1 OF 1

2/1/2013
usbwb
\\monsr01\dectech\data\dgn\102731.DGN

CAD MAINTAINED, CHANGES SHALL BE INCORPORATED BY THE DESIGN ACTIVITY.



Report #: G6290-116-45
 Date: 5/17/2017
 Verified by: *[Signature]*



ALL UNSPECIFIED RADII EQUALS .015

6005-T5

<p>CONFIDENTIAL</p> <p>UNPUBLISHED WORK © DECEUNINCK NORTH AMERICA</p> <p>THIS DOCUMENT CONTAINS PROPRIETARY AND CONFIDENTIAL INFORMATION. DO NOT COPY OR DISCLOSE THIS INFORMATION WITHOUT THE EXPRESS WRITTEN CONSENT OF DECEUNINCK NORTH AMERICA. DECEUNINCK NORTH AMERICA RESERVES THE RIGHT TO CHANGE THIS DRAWING AND ANY ASSOCIATED DOCUMENTS.</p>	<p>UNLESS OTHERWISE SPECIFIED DIM ARE IN INCHES TOL ON ANGLES ± 1° 2 PL ± 0.010 3 PL ± 0.005* INTERPRET DIM AND TOL PER ASME Y14.5M - 1994</p>	<p>DESIGN BY: RJK DATE: 05/04/21 DRAWN BY: JGM DATE: 06/08/24 AUTH: DATE: AUTH: DATE: AUTH: DATE: FILENAME: 10300082.dgn</p>	<p>deceuninck NORTH AMERICA 381 NORTH CLEVELAND AVENUE MONROE, OHIO 43050</p>
	<p>THIRD ANGLE PROJECTION</p>	<p>NAME: SASH REINFORCEMENT</p> <p>SIZE DWG. NO: 10300082 SCALE: 8:1 (LBS./FT.) LBS./FT. SHEET: 1 OF 1</p>	<p>REV. NEW</p>

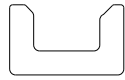
1/9/2007

usjgm

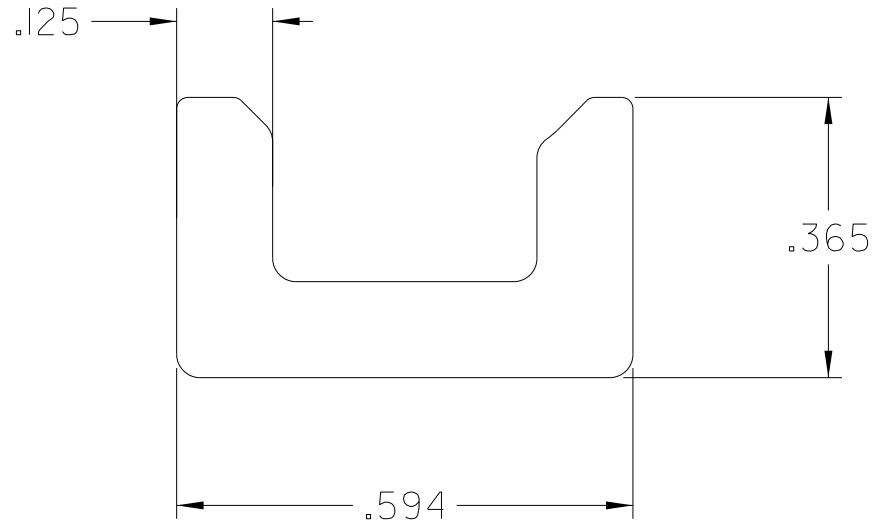
H:\pdt\msa\8\ALUMINUM\10300082.dgn

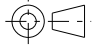
CAD MAINTAINED. CHANGES SHALL BE INCORPORATED BY THE DESIGN ACTIVITY.

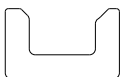
	Report #:	G6290-116-45
	Date:	5/17/2017
	Verified by:	<i>[Signature]</i>



SCALE 1:1



<p>CONFIDENTIAL</p> <p>UNPUBLISHED WORK © 2015 DECEUNINCK NORTH AMERICA</p> <p>THIS DOCUMENT CONTAINS PROPRIETARY AND CONFIDENTIAL INFORMATION. DO NOT COPY OR DISCLOSE THIS INFORMATION WITHOUT THE EXPRESS WRITTEN CONSENT OF DECEUNINCK NORTH AMERICA. DECEUNINCK NORTH AMERICA RESERVES THE RIGHT TO CHANGE THIS DRAWING AND ANY ASSOCIATED DOCUMENTS.</p>	<p>UNLESS OTHERWISE SPECIFIED DIM ARE IN INCHES TOL ON ANGLES ± 1° 2 PL: ± 0.010" 3 PL: ± 0.005" INTERPRET DIM AND TOL PER ASME Y14.5M - 1994</p>	<p>DESIGN BY: SMW</p> <p>DATE: 15/10/28</p> <p>DRAWN BY: SMW</p> <p>DATE: 15/10/28</p> <p>AUTH: DATE:</p> <p>AUTH: DATE:</p> <p>AUTH: DATE:</p> <p>FILENAME: 173305</p>	<p>deceuninck Deceuninck North America 351 N. Garver Road Monroe, OH 45050</p>
	<p>THIRD ANGLE PROJECTION</p> <p></p>	<p>NAME: AWA .27 SMALL INNERGY</p> <p>SIZE DWG. NO: A AWA-.27_SASH_SMALL_INNERGY</p> <p>SCALE: 4 : 1 (LBS/FT.) SHEET:</p>	<p>REV. SHEET: NEW</p>



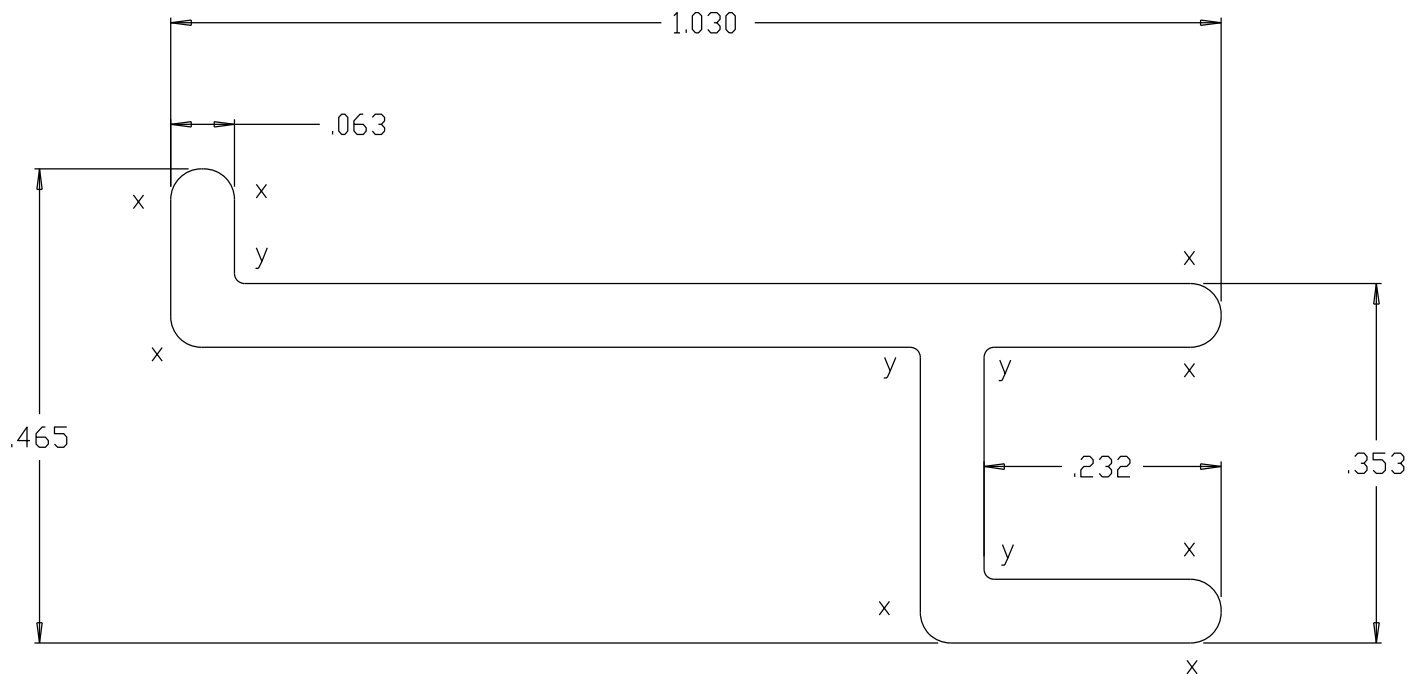
\$PLOTDATE\$

\$USER\$

\$FILE\$



Report #: G6290-116-45
 Date: 5/17/2017
 Verified by: *[Signature]*

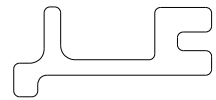


Notes:

- 1) "x" = .030" radius
- 2) "y" = .010" radius

Standard Commercial Tolerances
 Apply Unless Otherwise Noted

<i>DAYTON EXTRUDED PLASTICS</i>	
<i>SPRINGBORO, OHIO</i>	
<i>Copyright 1994</i>	
NAME:	0093 SASH REINFORCEMENT
MATERIAL(S):	ALUMINUM
DRAWN BY:	DAS
DATE:	3/22/94
CHECKED BY:	DATE:
SCALE:	5 : 1 "A"
PART DWG. NO:	A6202
CUST. PART NO:	6202
DIE NO:	6202



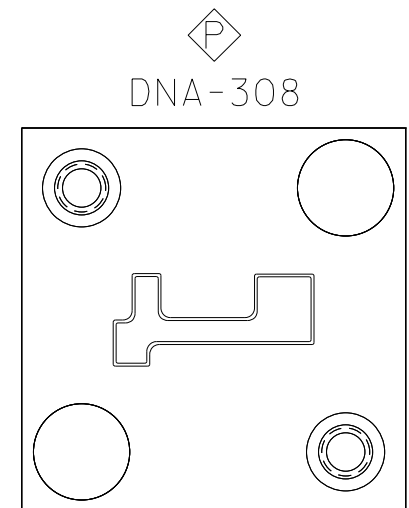
SCALE 1:1

Report #: **G6290-116-45**
 Date: **5/17/2017**
 Verified by: *[Signature]*

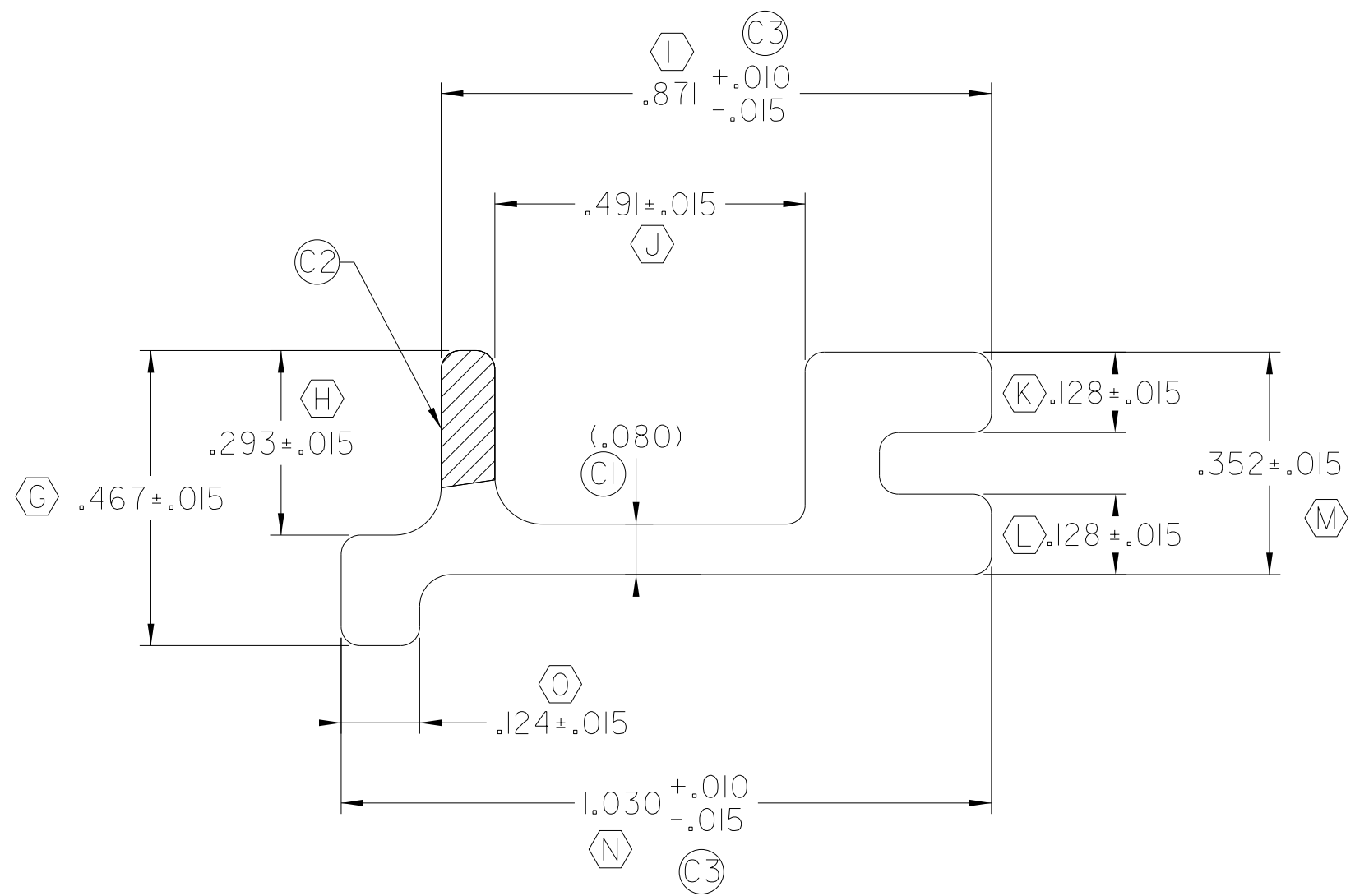
CAD MAINTAINED. CHANGES SHALL BE INCORPORATED BY THE DESIGN ACTIVITY.

REVISION HISTORY			
REV	DESCRIPTION	DATE	APPROVED
C	1) INCREASED WALL THK .005" 2) MOVED WALL OVER .010" 3) CHANGED TOLERANCE	15/06/17	BWB

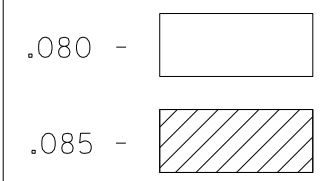
KEY PRODUCT CHARACTERISTICS
 P GAUGE DNA-308



NOTES:
 1. PART MUST FIT THROUGH PLATE #1 AND NOT PLATE #2 TO SAVE.



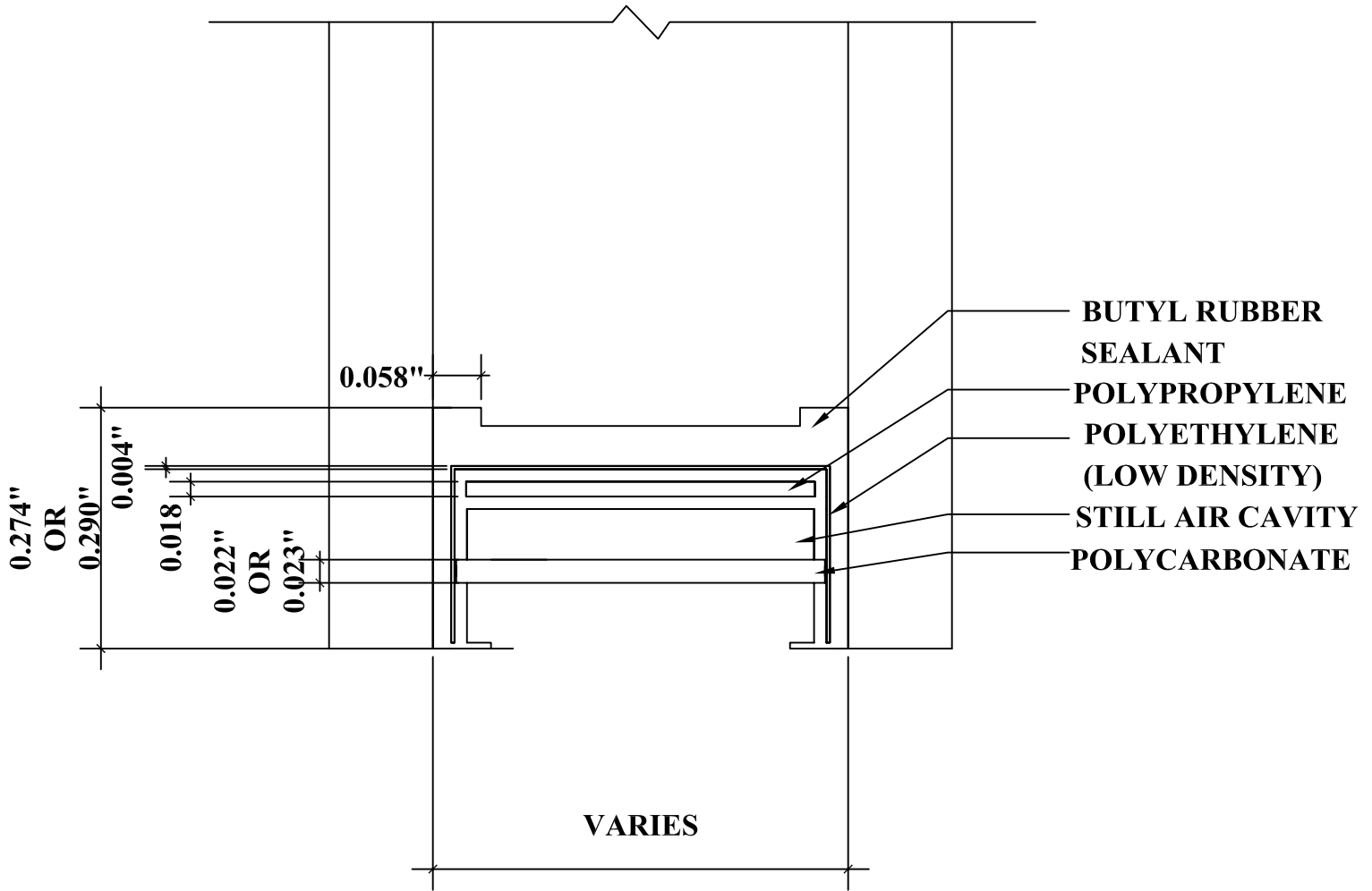
WALL THICKNESS



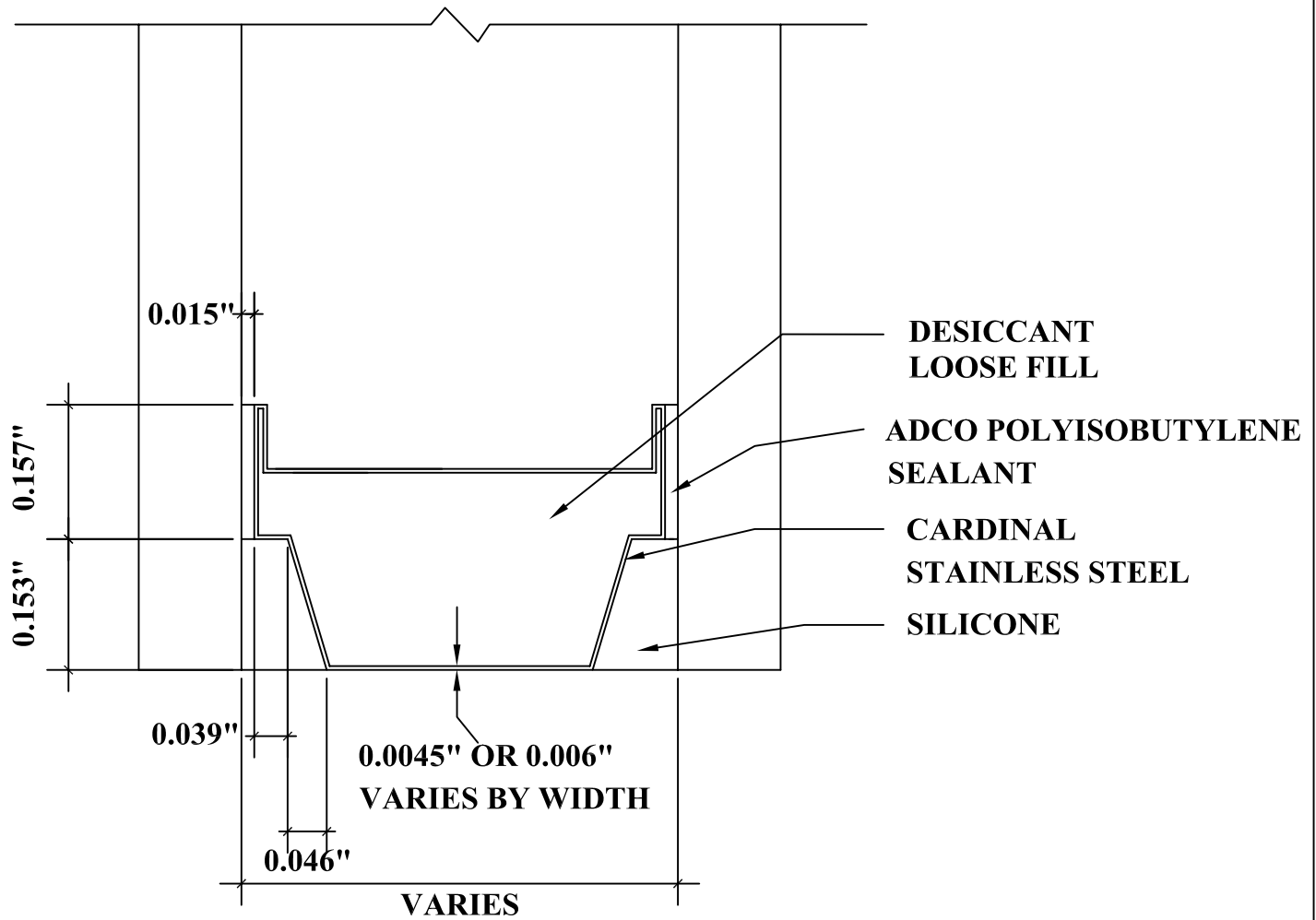
- NOTES:
- 'STD00013' STRAIGHTNESS CLASS A AND LENGTH TOLERANCES APPLY (A)
 - INTERPRET ALL TOLERANCE APPLICATIONS PER STD0013 (B)
 - UNSPECIFIED EXTERNAL RADII = .XXX +.010 / -.005 (C)
 - UNSPECIFIED INTERNAL RADII = .XXX +.020 / -.005 (D)
 - UNSPECIFIED EXTERNAL WALL THICKNESS = .XXX +/- 10% (E)
 - UNSPECIFIED INTERNAL WALL THICKNESS = .XXX +/- 20% (F)
 - MAT'L TO BE DNA PUR

CONFIDENTIAL UNPUBLISHED WORK © 2012 DECEUNINCK NORTH AMERICA	UNLESS OTHERWISE SPECIFIED DIM ARE IN INCHES TOL ON ANGLES ± 1° 2 PL: ± 0.010" 3 PL: ± 0.005" INTERPRET DIM AND TOL PER ASME Y14.5M - 1994	DESIGN BY: JGM DATE: 11/06/14 DRAWN BY: BWB DATE: 11/06/14 AUTH: DATE: AUTH: DATE: AUTH: DATE: FILENAME: 126321	deceuninck NORTH AMERICA 351 NORTH GARVER ROAD MONROE, OHIO 45050
	THIS DOCUMENT CONTAINS PROPRIETARY AND CONFIDENTIAL INFORMATION. DO NOT COPY OR DISCLOSE THIS INFORMATION WITHOUT THE EXPRESS WRITTEN CONSENT OF DECEUNINCK NORTH AMERICA. DECEUNINCK NORTH AMERICA RESERVES THE RIGHT TO CHANGE THIS DRAWING AND ANY ASSOCIATED DOCUMENTS.	THIRD ANGLE PROJECTION	

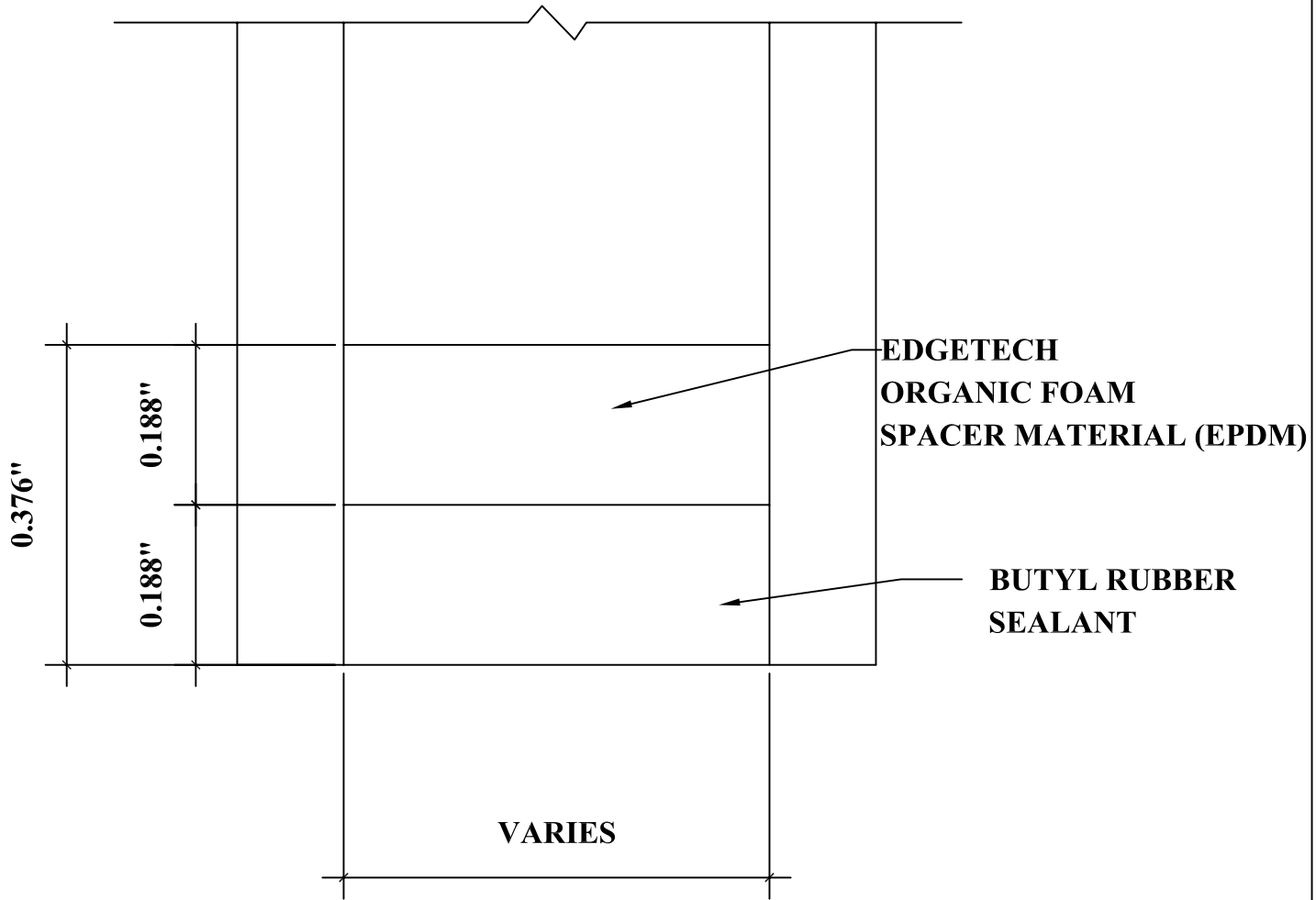
\$USERS\$



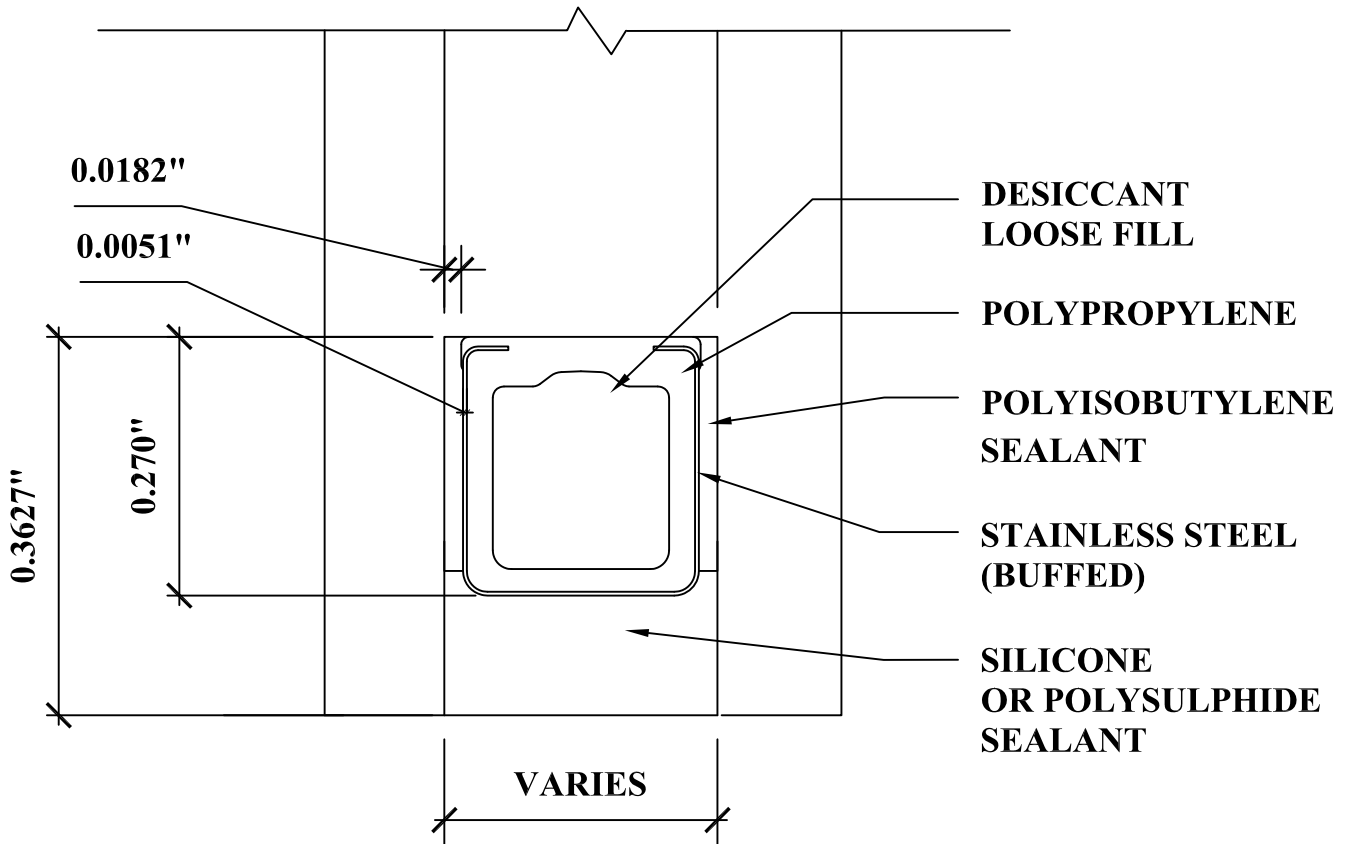
DETAIL FOR THERMAL MODELING OF
TRUSEAL DURALITE SPACER (P1-S)



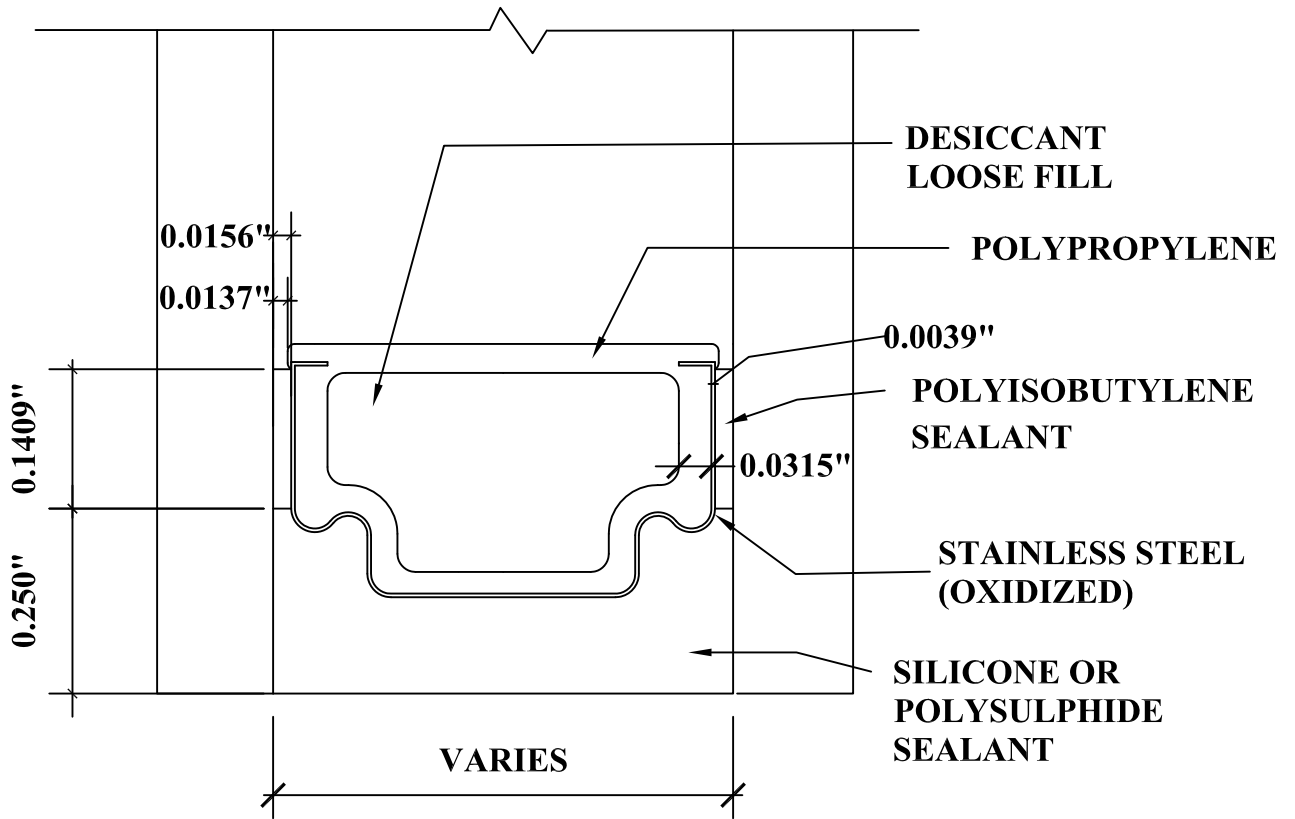
DETAIL FOR THERMAL MODELING OF
CARDINAL XL EDGE SPACER (SS-D)



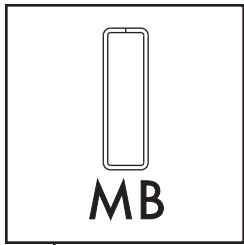
DETAIL FOR THERMAL MODELING OF
EDGETECH SUPER SPACER STANDARD (OF-S)



DETAIL FOR THERMAL MODELING OF
TECHNOFORM TGI SPACER - IS (TS-D)



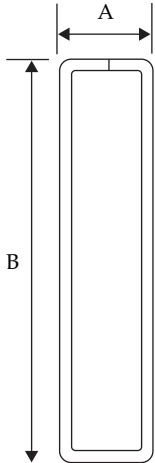
DETAIL FOR THERMAL MODELING OF
TECHNOFORM TGI SPACER - TIS (TS-D)



ALLMETAL®

Muntin Bar

Aluminum: Painted, ~~Mill Finish, Clear & Color In™ Anodized~~



TOLERANCE
 A, ± .005 (.127mm)
 B, ± .005 (.127mm)

Intertek	Report #:	G6290-116-45
	Date:	5/17/2017
	Verified by:	<i>[Signature]</i>

SPECIAL NOTICE
Cleaning and Handling of Muntin Bar

We recommend muntin bar to be wiped clean before installation into an insulating glass unit. A household grade liquid cleaner may be used for this purpose.

To avoid breakdown of painted surfaces, do not use M.E.K., Triethane, Alcohol or like substances for the cleaning of painted muntin bar.

When machining and processing muntin bar in your plant, keep saw tables and work areas free of saw cut filings to avoid scratching the painted surfaces.

Packaging Information			
Muntin Bar Size	Part #	Pieces Per Shipping Carton 12' 8" Lengths	Lineal Feet Per Shipping Carton 12' 8" Lengths
1/8 x .610	219697	200	2533
3/16 x 9/16 [†]	119320	150	1900
3/16 x .610 [†]	119705	125	1583
3/16 x 5/8 [†]	120874	125	1583
3/16 x 3/4	122909	110	1393
3/16 x 13/16	123618	110	1393
3/16 x 1	123823	85	1076
1/4 x 9/16	119427	135	1710
1/4 x 5/8 [†]	121410	120	1520
1/4 x 3/4	123063	95	1203
1/4 x 13/16	215017	95	1203
1/4 x 1	123836	70	887
1/4 x 1 1/4	123856	51	646
5/16 x 1	210318	60	684
3/8 x 5/8	121468	90	1140
3/8 x 3/4	123088	75	950
3/8 x 13/16	215016	70	887
3/8 x 7/8	123797	55	697
3/8 x 1	201968	55	696
3/8(.375) x 3/8	205591	140	1773
7/16 x 3/8	119016	115	1457
7/16 x 3/8	216500**	115	1457
7/16 x 1/2	213045	88	1115
7/16 x 5/8 ^Δ	214621	65	823
1/2 x 3/4 [*]	201043	50	633
1/2 x 1	203710	40	506

Specification In Inches		
Muntin Bar Size	A	B
1/8 x .610	.125	.610
3/16 x 9/16 [†]	.187	.551
3/16 x .610 [†]	.187	.610
3/16 x 5/8 [†]	.187	.630
3/16 x 3/4 [†]	.187	.775
3/16 x 13/16 [†]	.187	.801
3/16 x 1	.187	1.000
1/4 x 9/16	.235	.562
1/4 x 5/8 [†]	.235	.625
1/4 x 3/4	.235	.765
1/4 x 13/16	.235	.801
1/4 x 1	.235	1.000
1/4 x 1 1/4	.235	1.250
5/16 x 1	.312	1.000
3/8 x 5/8 [†]	.325	.625
3/8 x 3/4	.325	.750
3/8 x 13/16	.325	.801
3/8 x 7/8	.325	.875
3/8 x 1	.325	1.000
3/8(.375) x 3/8	.375	.375
7/16 x 3/8	.438	.375
7/16 x 3/8	.438	.375
7/16 x 1/2	.438	.500
7/16 x 5/8 ^Δ	.438	.625
1/2 x 3/4 [*]	.500	.750
1/2 x 1	.500	1.000

Part numbers shown are standard white color.

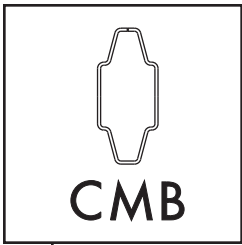
Material thickness: .0185

[†] Available in tutone. Please see Color Selection Chart located in front of catalog.

^Δ Part number shown is Dark Bronze Anodized Color.

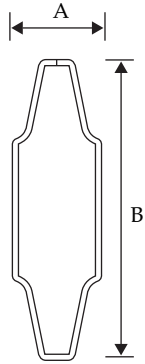
^{*} Part number shown is Clear Anodized. ^{**}Part number shown is white welded.

Note: Available in pre-cut lengths and pre-notched; tutone and post-painted. Custom colors also available.



Contour Muntin Bar

Aluminum: Painted, ~~Mill Finish, Clear & Color-In™ Anodized~~



TOLERANCE
 A, ± .005 (.127mm)
 B, ± .005 (.127mm)

SPECIAL NOTICE

Cleaning and Handling of Muntin Bar

We recommend muntin bar to be wiped clean before installation into an insulating glass unit. A household grade liquid cleaner may be used for this purpose.

To avoid breakdown of painted surfaces, do not use M.E.K., Triethane, Alcohol or like substances for the cleaning of painted muntin bar.

When machining and processing muntin bar in your plant, keep saw tables and work areas free of saw cut filings to avoid scratching the painted surfaces.

Packaging Information			
Muntin Bar Size Millimeter	Part #	Pieces Per Shipping Carton 12' 8" Lengths	Lineal Feet Per Shipping Carton 12' 8" Lengths
5.5 x 18	124040	170	2153
8 x 18	123911	120	1520
8 x 25	124307	84	1064

Specification In Inches		
Muntin Bar Size Millimeter	A	B
5.5 x 18	.217	.709
8 x 18	.315	.709
8 x 25	.315	.984

Part numbers shown are standard white color.

Available in solid & tutone colors.

Please see Color Selection Chart located in front of catalog.

Material Thickness:

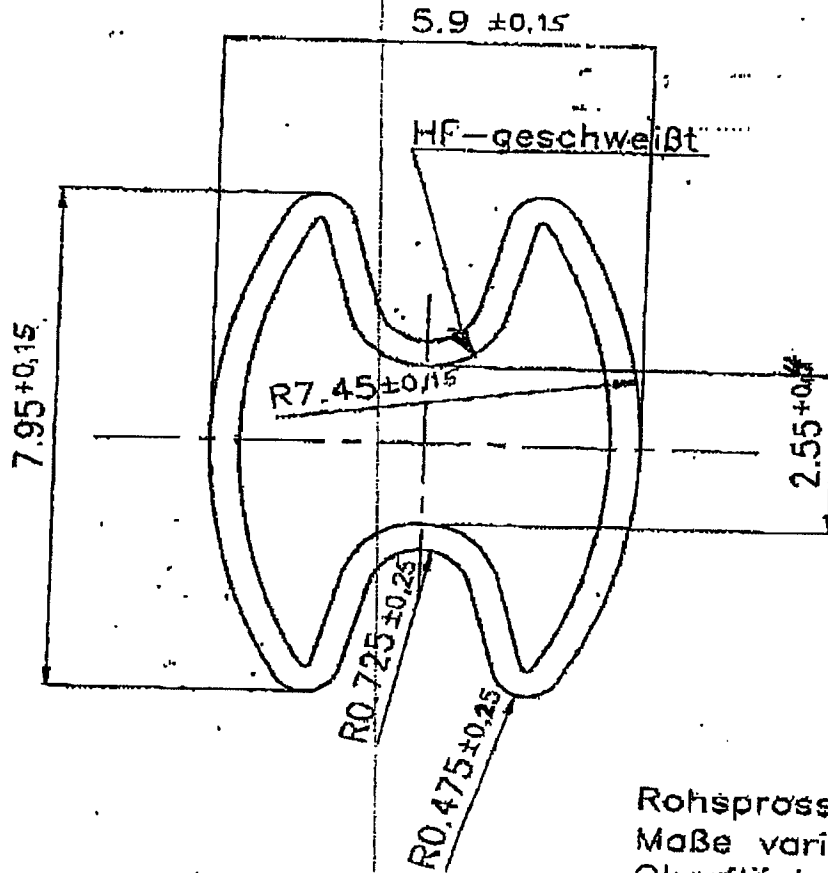
.016: 5.5 x 18mm and 8 x 18mm.

.0185: 8 x 25mm.

Note: Available in pre-cut lengths and pre-notched; tutone and post-painted. Custom colors also available.

Painted seam available in limited colors upon request.

	Report #:	G6290-116-45
	Date:	5/17/2017
	Verified by:	



Rohsprössel
 Maße variieren je nach
 Oberflächenbehandlung

Intertek Report #: G6290-116-45
 Date: 5/17/2017
 Verified by: *[Signature]*

Verteiler: BTL
 DM3
 Produktion
 AV

1	Höhe u. Breite geändert	04.07.96	Höf.	
	Ä-Nr./Art der Änderung	Datum	Name	Gepr.

Werkstoff: Bd 0,4 ^{+0,04}/_{-0,03} Al 99,85-ähnlich EN 1085/WN
 wahlweise EN AW-3003

1996	Tag	Name	Für diese Zeichnung bzw. techn. Unterlage behalten wir uns alle Rechte vor.	Helmut Lingemann GmbH & Co. Aluminium-Press- und Walzwerk Am Deckerschützen 02 43114 Kuppental
Bearb.	24.07.	Höfinghoff		
Gepr.				

Maßstab:	Benennung:
10:1	Einbausprosse, geschweißt
Meße ohne Tek.-Angabe	Zeichnungsnummer:
DIN 7168-m	KP 8x1,5G
Erstellt durch:	

M1